

EK-1608-G8
EK-1616-G17E
EK-1716-G17E
EK-1716-AG17



APK-400-410
 (HANDWHEEL ASSEMBLY)

HK-7000001

WATER VALVE ASSEMBLY
 (POST-2018)

INCLUDES SHOWN:

- APK-400-108
- HK-9000031
- HK-9000007
- HK-9000038
- HK-9000035
- HK-9000036
- HK-9000034

APK-400-300
 (BATTERY ASSEMBLY)

HK-7000004

AP300-001
 (PRE-2018)

HK-9000012

APK-400-198

HK-9000006
 (GREASE FITTING)

APK-400-005

APK-401-100
 USED IN EK-1608-G8

INCLUDES:

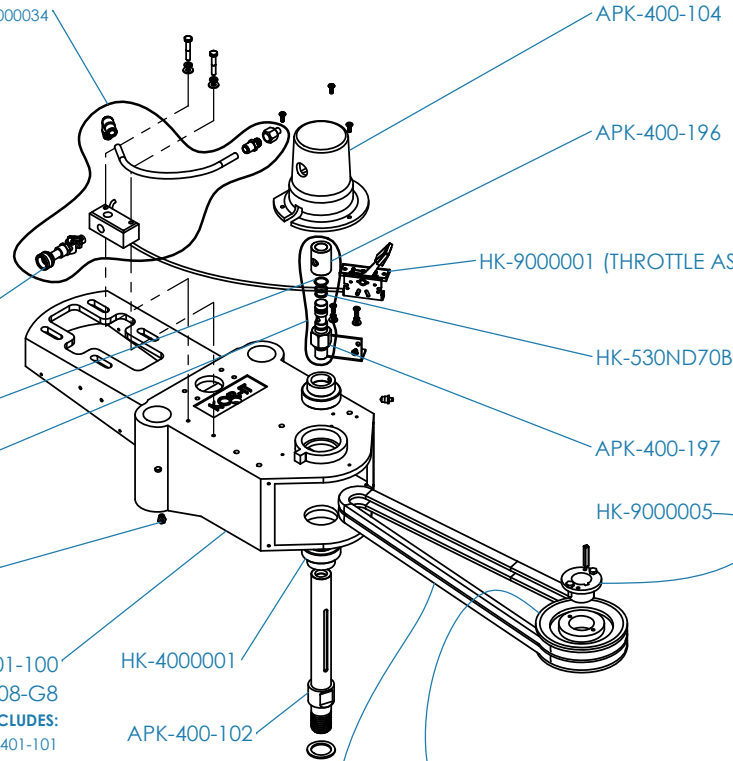
- K401 CARRIAGE FRAME - APK-401-101
- MAIN DRIVE SHAFT - APK-400-102
- BEARING SET - HK-4000001

APK-416-100

USED IN EK-1616-G17E, EK-1716-G17E & EK-1716-AG17

INCLUDES:

- K416 CARRIAGE FRAME - APK-416-101
- MAIN DRIVE SHAFT - APK-400-102
- BEARING SET - HK-4000001



APK-400-104

APK-400-196

HK-9000001 (THROTTLE ASSEMBLY)

HK-530ND70BLK

APK-400-197

HK-9000005

HK-4000001

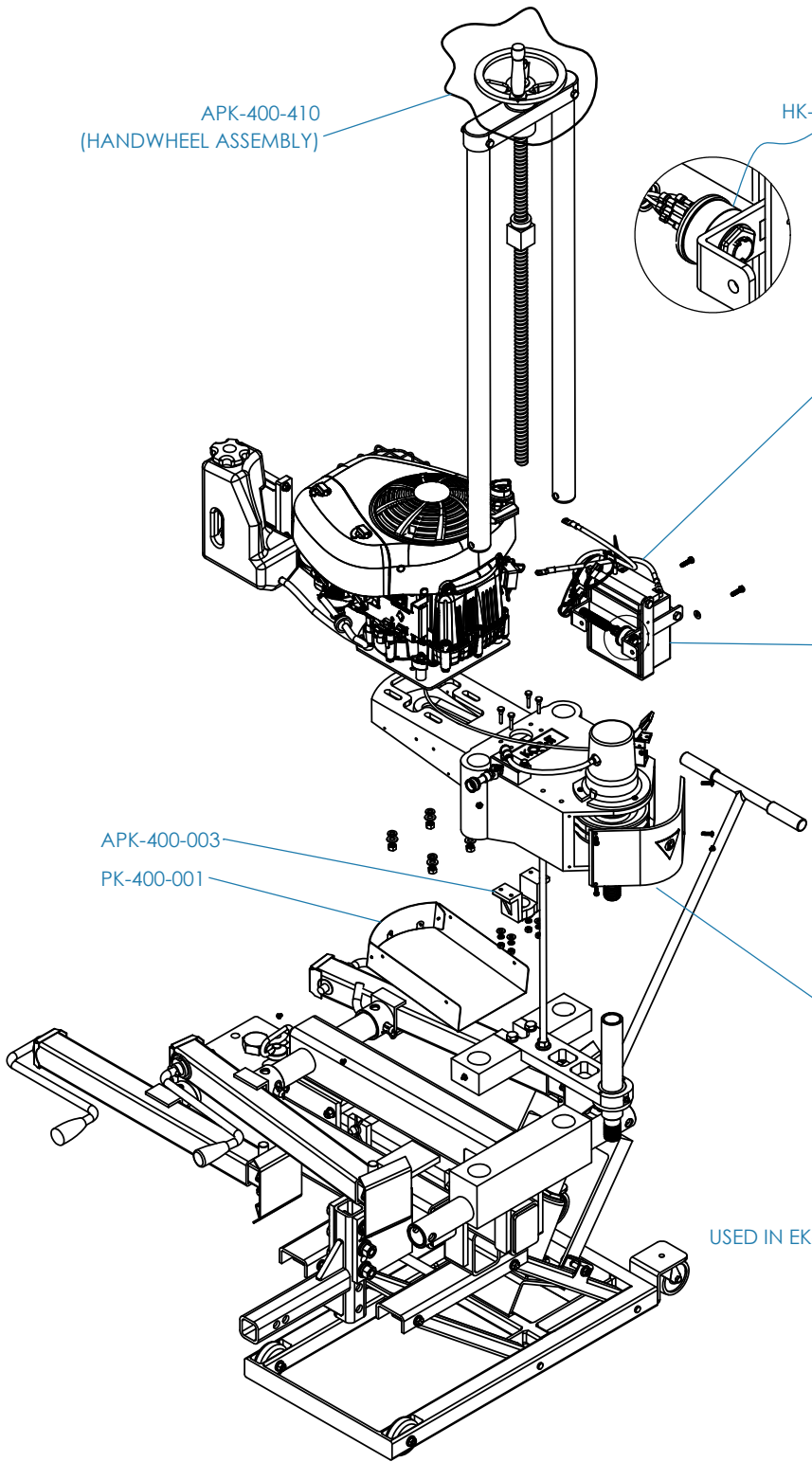
APK-400-102

HK-9000002 (ALL MODELS)
 HK-9000065 (EK-1608-G8)

HK-9000004 (EK-1608-G8)

HK-9000039 (EK-1616-G17E, EK-1716-G17E & EK-1716-AG17)

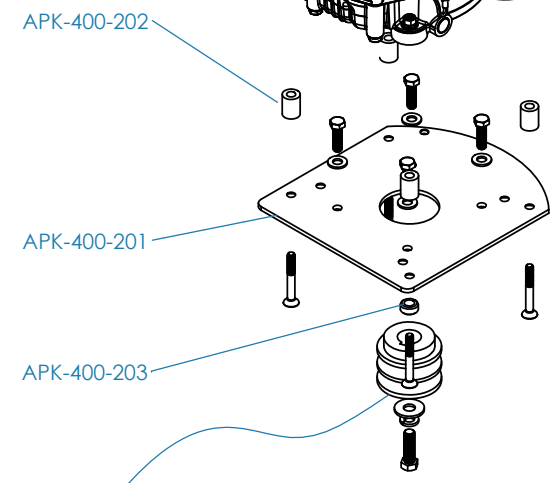
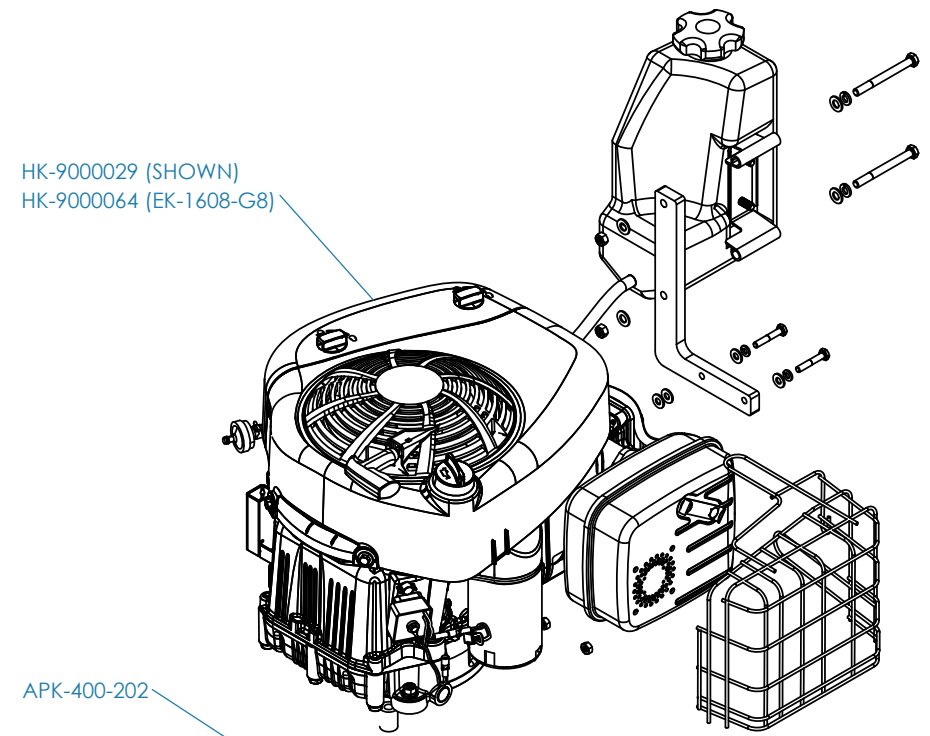
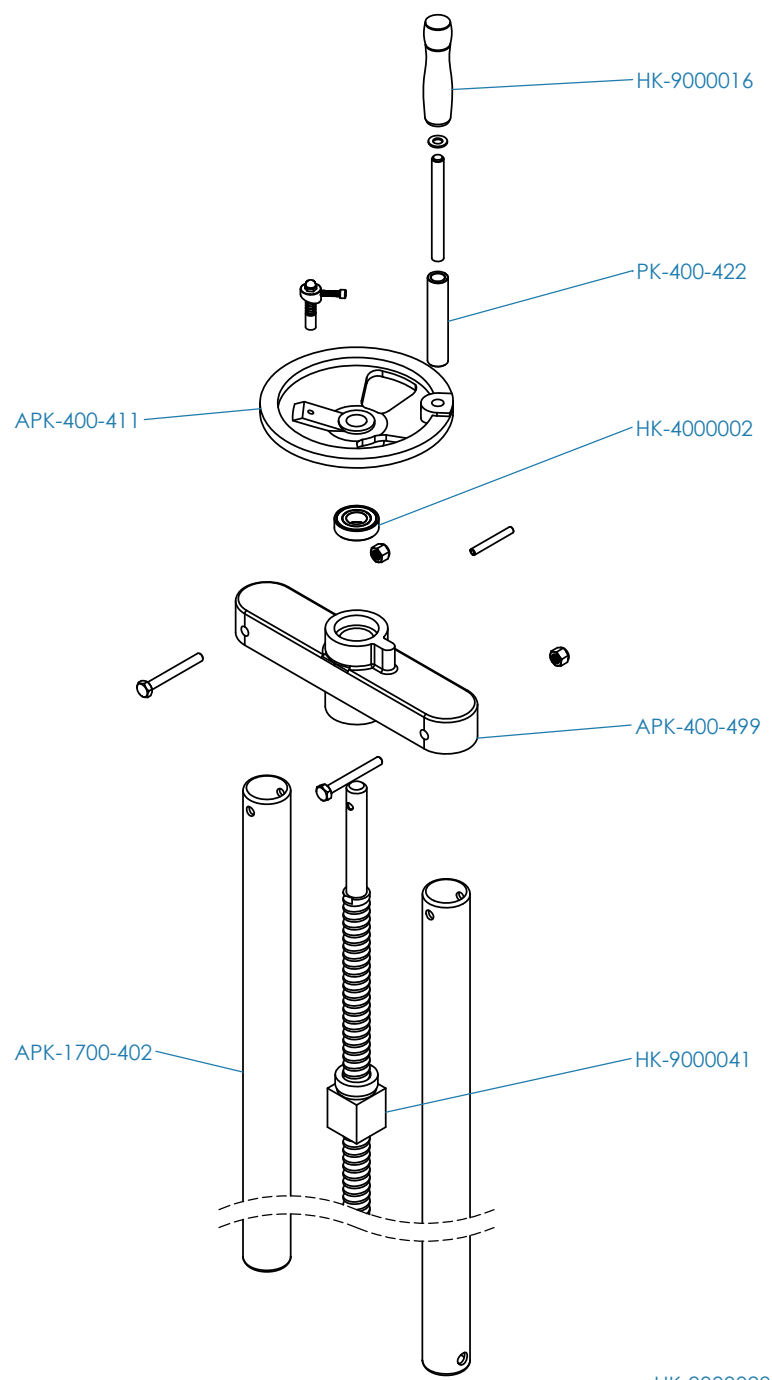
HK-9000063 (EK-1608-G8)



APK-400-003

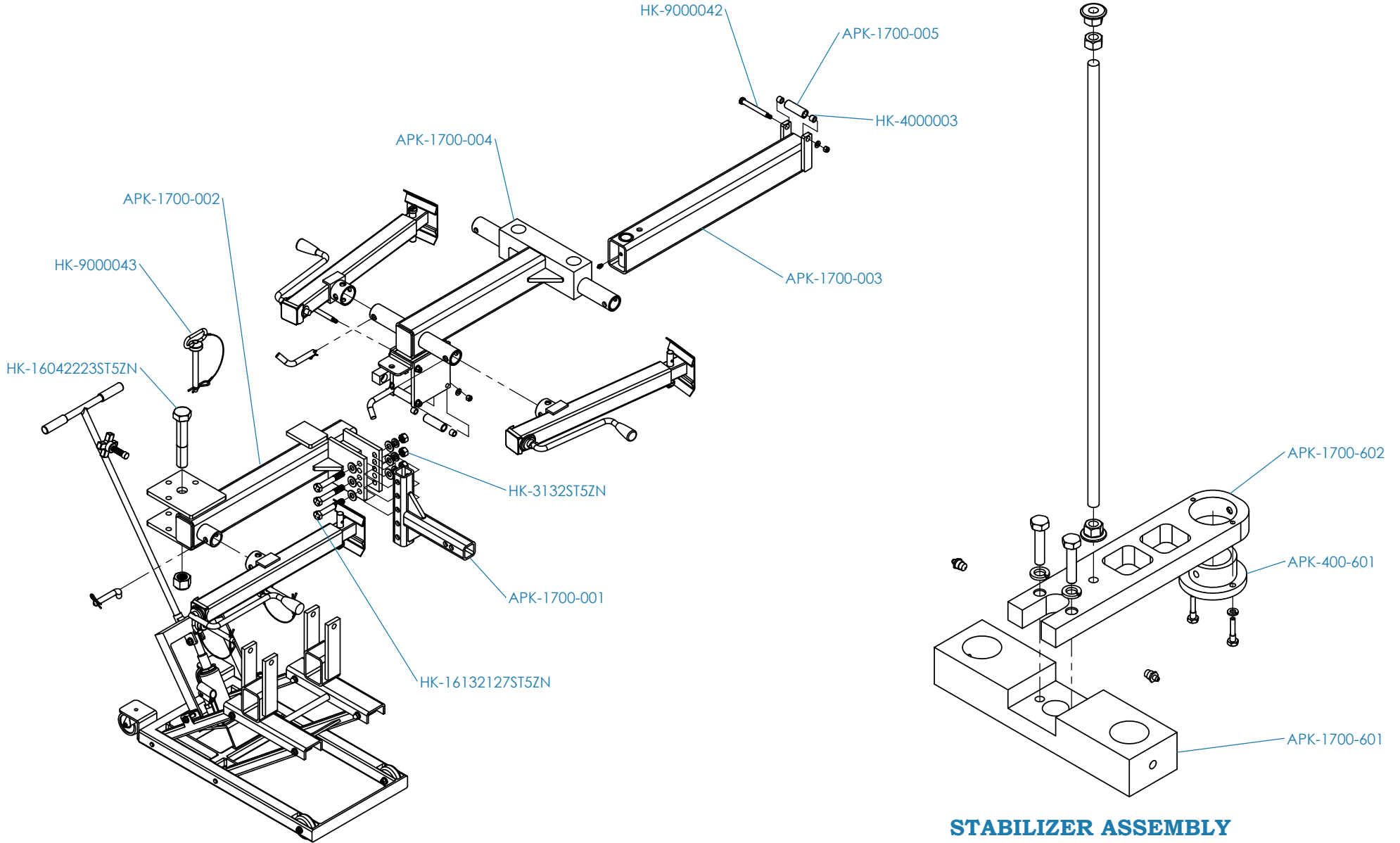
PK-400-001

EK-1608-G8
EK-1616-G17E
EK-1716-G17E
EK-1716-AG17



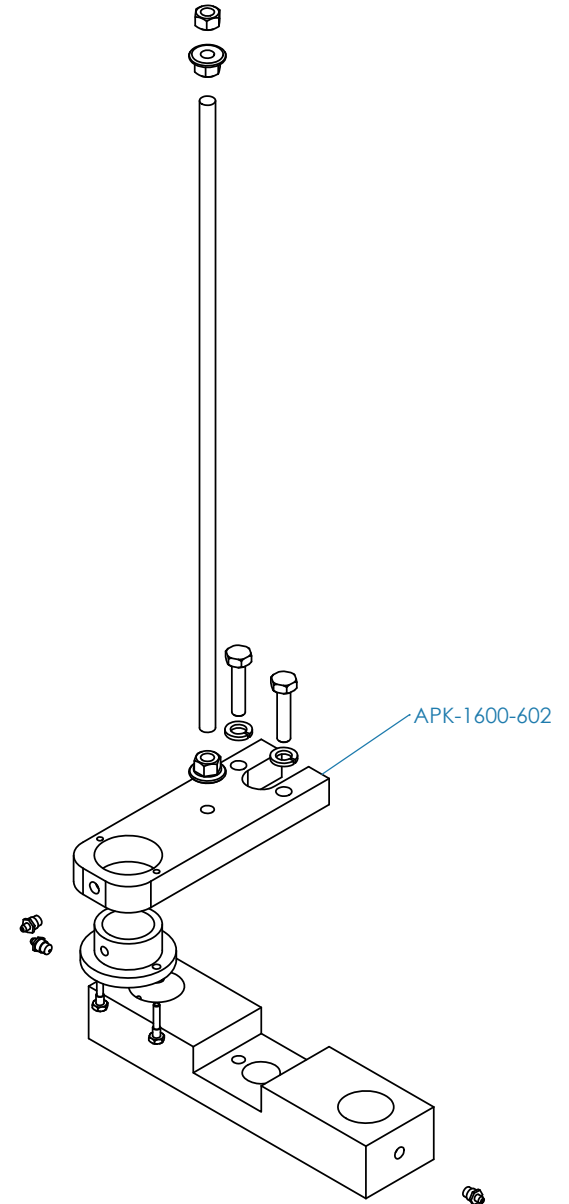
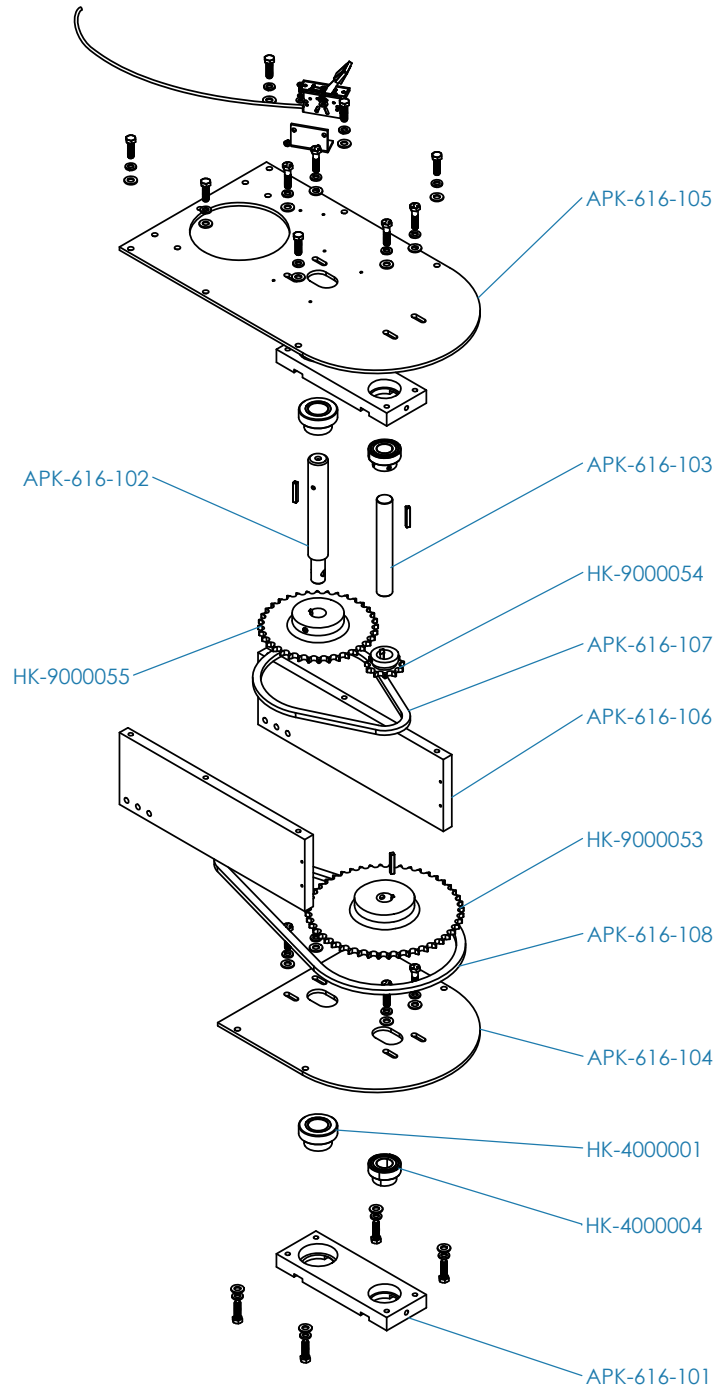
HK-9000028 (EK-1616-G17E, EK-1716-G17E & EK-1716-AG17)
HK-9000066 (EK-1608-G8)

EK-1608-G8
EK-1616-G17E
EK-1716-G17E
EK-1716-AG17



**STABILIZER ASSEMBLY
(1700 SERIES AND 1616 MODEL) - 16 IN CAPACITY**

EK-1608-G8
EK-1616-G17E
EK-1716-G17E
EK-1716-AG17



**STABILIZER ASSEMBLY
(1608 SERIES) - 8 IN CAPACITY**

EK-1608-G8
EK-1616-G17E
EK-1716-G17E
EK-1716-AG17

