



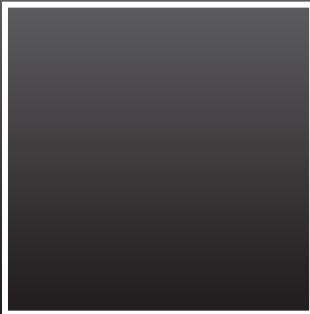
**300DD**

**300DD-PL**



***3 Cubic Foot Direct Drive Mixer***

***Includes Model Number 300DD & 300DD-PL***



WS1732  
8-2018/Rev.A

104 S. 8th Ave.  
Marshalltown, IA  
Phone 800-888-0127 / 641-753-0127  
Fax 800-477-6341 / 641-753-6341  
[www.MARSHALLTOWN.com](http://www.MARSHALLTOWN.com)



## ***INTRODUCTION***

This owner's manual provides the information needed to operate and maintain MARSHALLTOWN's 300DD & 300DD-PL Mixers. Carefully read and follow all safety and operating instructions in this manual. Also, be sure every operator of this mixer reads this manual before operating the mixer. The replacement of any part on this mixer by parts other than the manufacturer's authorized replacement parts may adversely affect the performance, durability, warranty or safety of the product.

Be sure safety precautions are observed. Read and follow all safety and operating instructions in this operator's manual. The manufacturer reserves the right to make changes on, or add improvements to its product at any time without prior notice or obligation. The manufacturer reserves the right to decide, upon its sole discretion and at any time, to discontinue a product.

## ***TABLE OF CONTENTS***

Safety Precautions .....	3-4
Safety Decals .....	4
Warranty .....	5
Product Operation .....	6
Parts Breakdown .....	7-13

## ***SAFETY PRECAUTIONS***

This is the industry's safety alert symbol. This symbol calls attention to items or operations that could be dangerous. This symbol can be found throughout this manual and on safety decals on the mixer. Read these messages carefully.



### **CAUTION!**

THE FOLLOWING PRECAUTIONS ARE SUGGESTED TO HELP PREVENT ACCIDENTS. A CAREFUL OPERATOR IS THE BEST OPERATOR. MOST ACCIDENTS CAN BE AVOIDED BY OBSERVING CERTAIN PRECAUTIONS. READ AND TAKE THE FOLLOWING PRECAUTIONS BEFORE OPERATING THIS EQUIPMENT TO HELP PREVENT ACCIDENTS. EQUIPMENT SHOULD BE OPERATED ONLY BY THOSE WHO ARE RESPONSIBLE AND INSTRUCTED TO DO SO.

1. Read all operating and maintenance instructions before operating or servicing mixer. Test run empty prior to actual use.
2. A mixer is only as safe as its operator. Give complete and undivided attention to the operation of the mixer.
3. Know how to stop the mixer and the motor instantly.
4. Always have all guards and safety devices attached and in place before operating mixer.
5. Keep inexperienced and unauthorized people away from the mixer at all times.
6. Never leave the mixer unattended while it is running.
7. Shut off motor or disconnect it before making any adjustments or putting hands or tools in the drum.

## ***SAFETY PRECAUTIONS CONTINUED***



**Never reach into the drum or place tools into the drum while the mixer is running**

8. Do not overfill the drum. Do not exceed the mixer's rated capacity.
9. Use a grounded three wire plug-in for all mixers using an electric motor.
10. Keep the mixer in good operating condition. Loose or damaged parts are dangerous.
11. Avoid loose clothing that could get caught in moving parts or on control levers.



**Keep hands and feet away from moving parts**

12. Do not add material to the drum while stopped. Start the drum before adding material.
13. Keep all warning, caution and safety instruction labels in good condition. Replace missing, damaged or illegible labels.
14. Clear the work area around the machine to prevent tripping or falling onto the mixer.
15. Operate on level ground to prevent the mixer from tipping over.
16. **DO NOT OPERATE** this mixer under the influence of alcohol or while taking medication that impairs your reactions.
17. Do not pull the cord to disconnect it. Keep the cord away from heat, oil, and sharp edges.
18. Use factory authorized parts for replacement.
19. Wear safety glasses when mixer is in use.
20. Never attempt to move the mixer while the motor is on.
21. With electric motors, properly grounded electric circuit is required to protect the operator from possible electric shock.

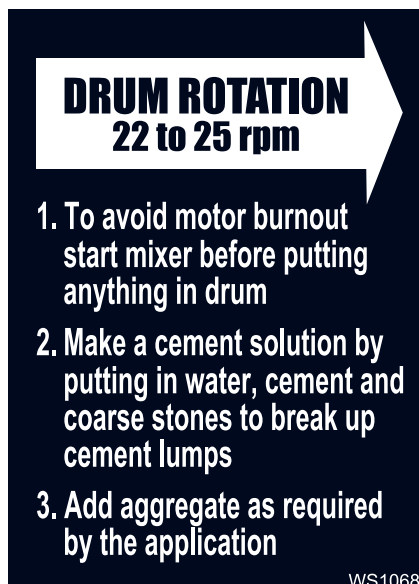


**NEVER** unplug the motor while standing in or around wet ground.

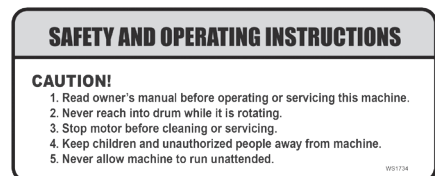
## ***SAFETY DECALS (if applicable)***

If your safety and operating decals are damaged, they can be replaced by contacting Customer Service at 800-888-0127 or [MARSHALLTOWN.com](http://MARSHALLTOWN.com)

WS1068



WS1734



## **MIXERS ONE-YEAR WARRANTY**

This product is warranted to the original purchaser only, to be free of defects in material and workmanship under normal use, for one year from purchase date. MARSHALLTOWN shall without charge for parts and labor, repair or replace such parts which are found to be defective. All transportation charges for replacement parts must be borne by the purchaser.

For warranty service, the product must be delivered, with proof of purchase date, to the dealer of original purchase, or any factory authorized service dealer.

If difficulty is encountered in having warranty work performed, contact the Customer Service Department.

All implied warranties, including those of merchantability and fitness for a particular purpose, are limited to one year from date of purchase by the original retail customer and to the extent permitted by law any and all implied warranties are excluded and disclaimed after the expiration of such period.

Some states do not allow limitations on how long an implied warranty lasts, or the exclusion or limitations of incidental or consequential damages, so the above limitations or exclusions may not apply to you. This warranty gives you specific legal rights, and you may also have other rights, which vary from state to state.

### ***Exclusion from this warranty:***

1. All consequential damages, including pickup and delivery of the unit, communication, mileage charges and/or rental of a replacement unit during repairs are not covered under this warranty, nor are any loss of income and/or other loss resulting from the failure of the product to function due to a warranty defect.
2. This warranty will not apply when the product becomes inoperative due to misuse, normal wear, neglect, improper maintenance, accident or freight damage, has not been operated and maintained in accordance with the instructions furnished in the Operator's Manual, or has been altered or modified without approval from the Customer Service Department.
3. No parts or products are to be returned to the factory without prior written approval from the factory.

**NOTICE:** Record the model and serial numbers in the spaces provided.

Product Model Number: \_\_\_\_\_

Product Serial Number: \_\_\_\_\_

Motor Model Number: \_\_\_\_\_

Motor Code Number: \_\_\_\_\_

Purchase Date: \_\_\_\_\_

Dealer Purchased From: \_\_\_\_\_

Dealer Address: \_\_\_\_\_

\_\_\_\_\_

Dealer Phone Number: \_\_\_\_\_

## ***PRIOR TO START UP***

1. Examine the mixer carefully to make sure there was no damage during shipment or since the last use. Report any damage immediately to the transportation company. Repair any damage before using the mixer.
2. Check for free rotation of the mixer drum yoke by rotating the drum through one complete dump-charge-dump cycle. Make sure no foreign objects or tools are in the drum before starting the motor.
3. Start the motor and check for smooth operation of the drum.

## ***STORAGE***

For short term storage, clean the mixer and store in a dry place. If the mixer is not to be used for an extended period of time, service mixer completely and store it in a dry place.

1. Refer to motor instructions for storage instructions.
2. Cover exposed metal surfaces with a thin coat of SAE 30 engine oil.

## ***GETTING READY FOR MIXING***

Lay out forms for your concrete floor, patio, driveway, sidewalk, etc. The quality of concrete is directly related to the quality of the cement paste. Calculate the proportions of your mix components (cement, sand and coarse aggregate) according to the job specifications.

## ***LOADING THE MIXER***

Start the mixer. Refer to motor instructions. After drum has started rotating, pour about half of the water in the drum.

NOTE: The drum may leak slightly when first used. This will stop after a few batches. Add aggregate (gravel) first then cement second and sand last. Then add remaining water as needed.

## ***MIXING INSTRUCTIONS***

1. Tip and lock the drum in inclined position.
2. Start the drum rotating.
3. Add  $\frac{1}{2}$  water.
4. Add cement and one shovelful of coarse aggregate. The coarse aggregate will break up any lumps in the cement.
5. Add remaining aggregate: crushed stone, pit-run gravel or sand.
6. Add remaining water as needed.
7. Mix batch for approximately one minute. Drum speed should be about 25 r.p.m. (NOTE: Mixing times may vary slightly.)

## ***UNLOADING THE MIXER***

Allow the entire mixture to mix for one full minute. Do not stop mixer from rotating.

Hold the tilt handle and unlock the tilt lock pin. Dump concrete to discharge side.

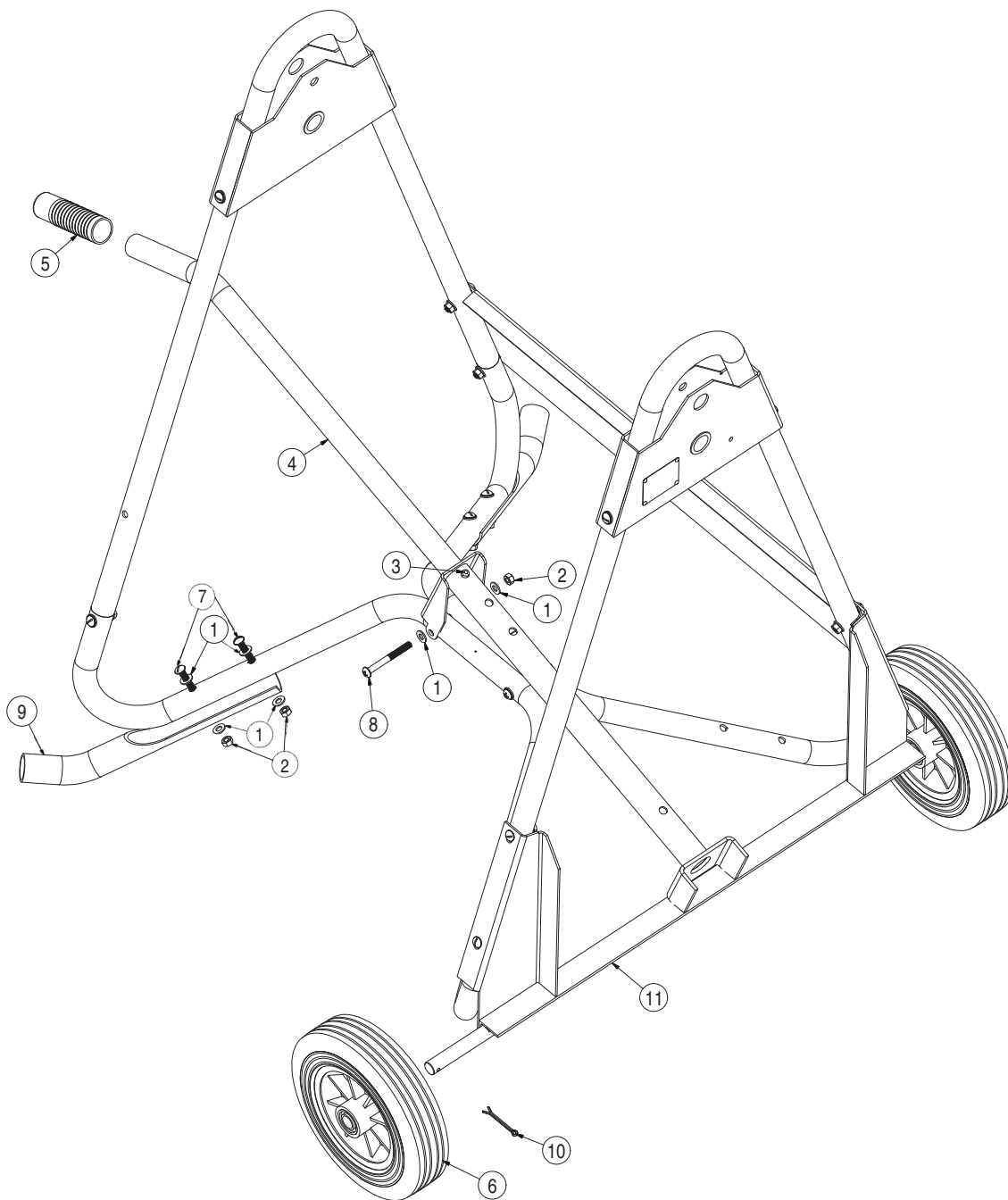
(NOTE: Mixing times may vary slightly.)

## ***EXTENSION CORDS-ELECTRIC MOTOR***

The following size extension cords should be used for this mixer: length of cord, up to 100 ft-14 gauge wire; up to 200 ft-12 gauge wire; up to 300 ft – 10 gauge wire; up to 400 ft – 8 gauge wire.

## ***CARE OF MIXER***

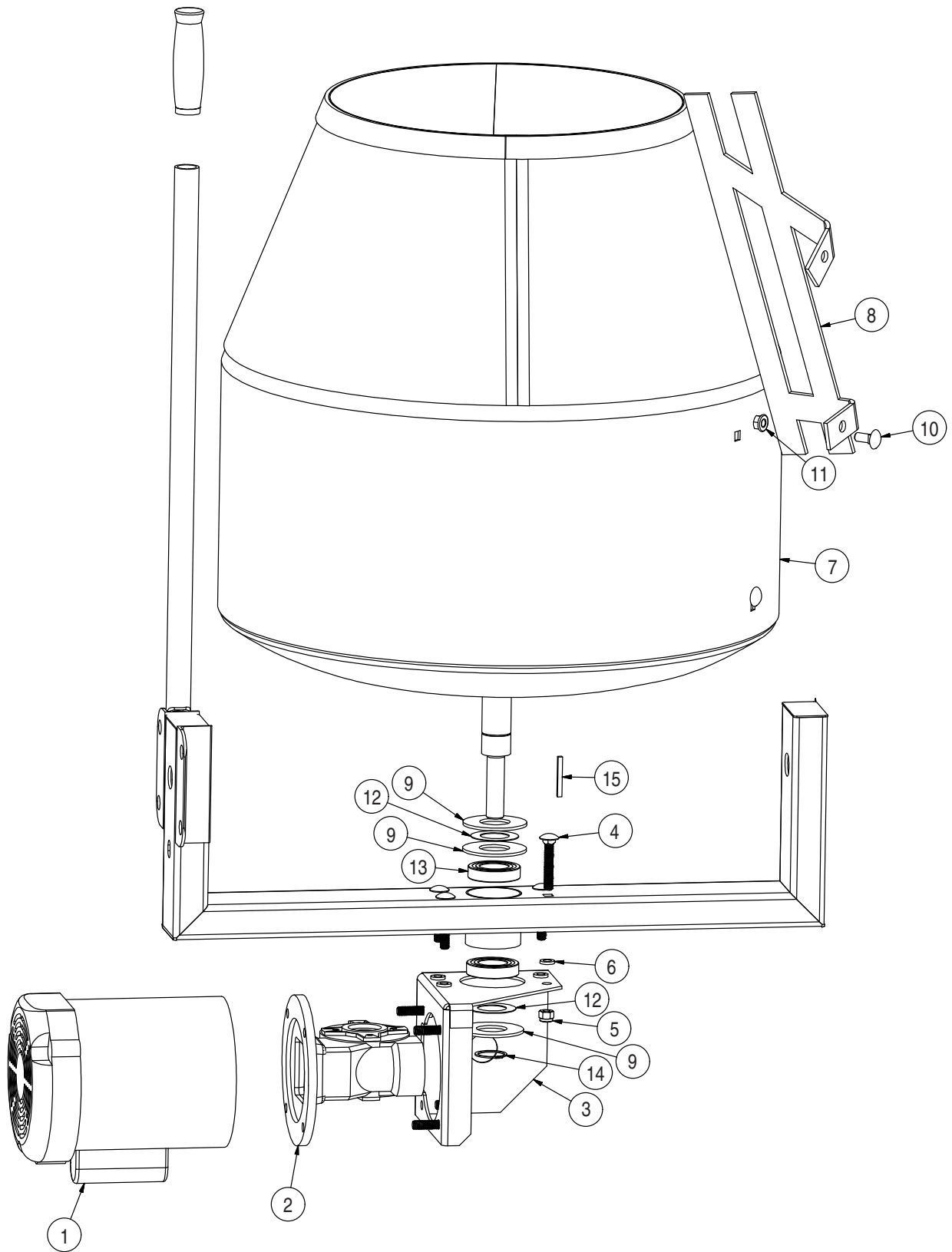
It is important to keep the inside of the mixing drum free of hardened concrete. After discharging the last batch of concrete each day, add a pailful of water and two shovelfuls of gravel to the drum. This will scour the inside of the drum. Mix for about two minutes, discharge and rinse the drum with water. Never permit concrete to harden on either the inside or outside of drum.



### **TOW KIT EDI# 27961**

REF #	NAME	PART#	QTY
1	FLAT WASHER, 5/16"	*	12
2	HEX NUT, 5/16"-18	*	9
3	SNAP CLIP FOR HANDLE	WT173	1
4	TOW HANDLE (does not include grip or snap clip)	R0384	1
5	HAND GRIP	WT923	1
6	WHEEL/TIRE	MIX5290	2
7	FLAT ROUND HEAD SCREW, 5/16"-18 X 1-3/4	*	8
8	FLAT ROUND HEAD SCREW, 5/16"-18 X 3	*	1
9	FOOT CHANNEL	R0382	2
10	COTTER PIN	*	2
11	PAINTED HAND TOW FRAME	R0383	1

\*Kits are sold with the parts listed in the table, common hardware is not sold separately and can be picked up at a local hardware store.





### **MOTOR/GEARBOX KIT EDI# 27962**

REF #	NAME	QTY
1	MOTOR, 1/2 HP, LEESON	1
2	GEARBOX, GROVE	1

### **MOTOR MOUNTING KIT EDI# 27963**

REF #	NAME	QTY
3	MOTOR MOUNT BRACKET	1
4	CARRIAGE BOLT, 3/8"-16 X 2 1/4"	4
5	LOCKING NYLON NUT, 3/8"-16	4
6	RUBBER WASHER	4

### **METAL DRUM KIT EDI# 27964**

REF #	NAME	PART#	QTY
6	RUBBER WASHER	*	4
7	DRUM WELDMENT	*	1
8	MIXER BLADE	MIX19911	2
9	WASHER, 1.312ID X 2.75OD	*	3
10	CARRIAGE BOLT, 3/8"-16 X 3/4"	*	4
11	FLANGED HEX NUT, 3/8"-16	*	4
12	IGUS WASHER, 1 1/4" (GTI-2034-01)	*	2
13	RADIAL BEARING	*	2
14	1 1/4" EXTERNAL RETAINING SNAP RING	*	1
15	KEY STOCK, 5/16" SQUARE X 1 3/4"	*	1

\*Kits are sold with the parts listed in the table, common hardware is not sold separately and can be picked up at a local hardware store.

### **BLADE KIT EDI# 27267**

REF #	NAME	PART#	QTY
8	MIXER BLADE	MIX19911	1
10	CARRIAGE BOLT, 3/8"-16 X 3/4"	*	2
11	FLANGED HEX NUT, 3/8"-16	*	2

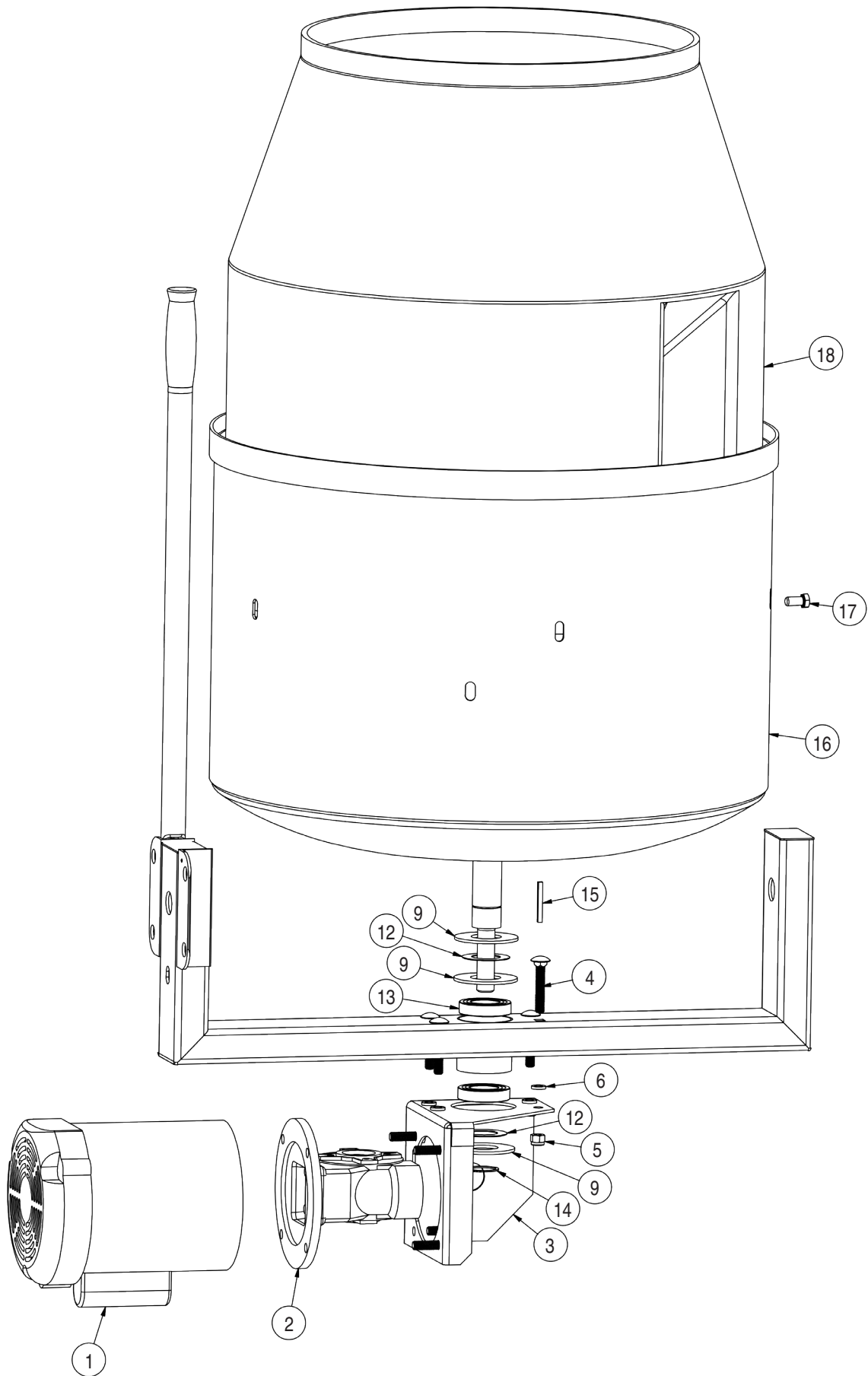
\*Kits are sold with the parts listed in the table, common hardware is not sold separately and can be picked up at a local hardware store.

### **WASHER/BEARING KIT EDI# 27969**

REF #	NAME	QTY
9	WASHER, 1.312ID X 2.75OD	3
12	IGUS WASHER, 1 1/4" (GTI-2034-01)	2
13	RADIAL BEARING	1
14	1 1/4" EXTERNAL RETAINING SNAP RING	1
15	KEY STOCK, 5/16" SQUARE X 1 3/4"	1

### **BEARING KIT EDI# 27971**

REF #	NAME	QTY
13	RADIAL BEARING	1



## ***PLASTIC DRUM PARTS BREAKDOWN***

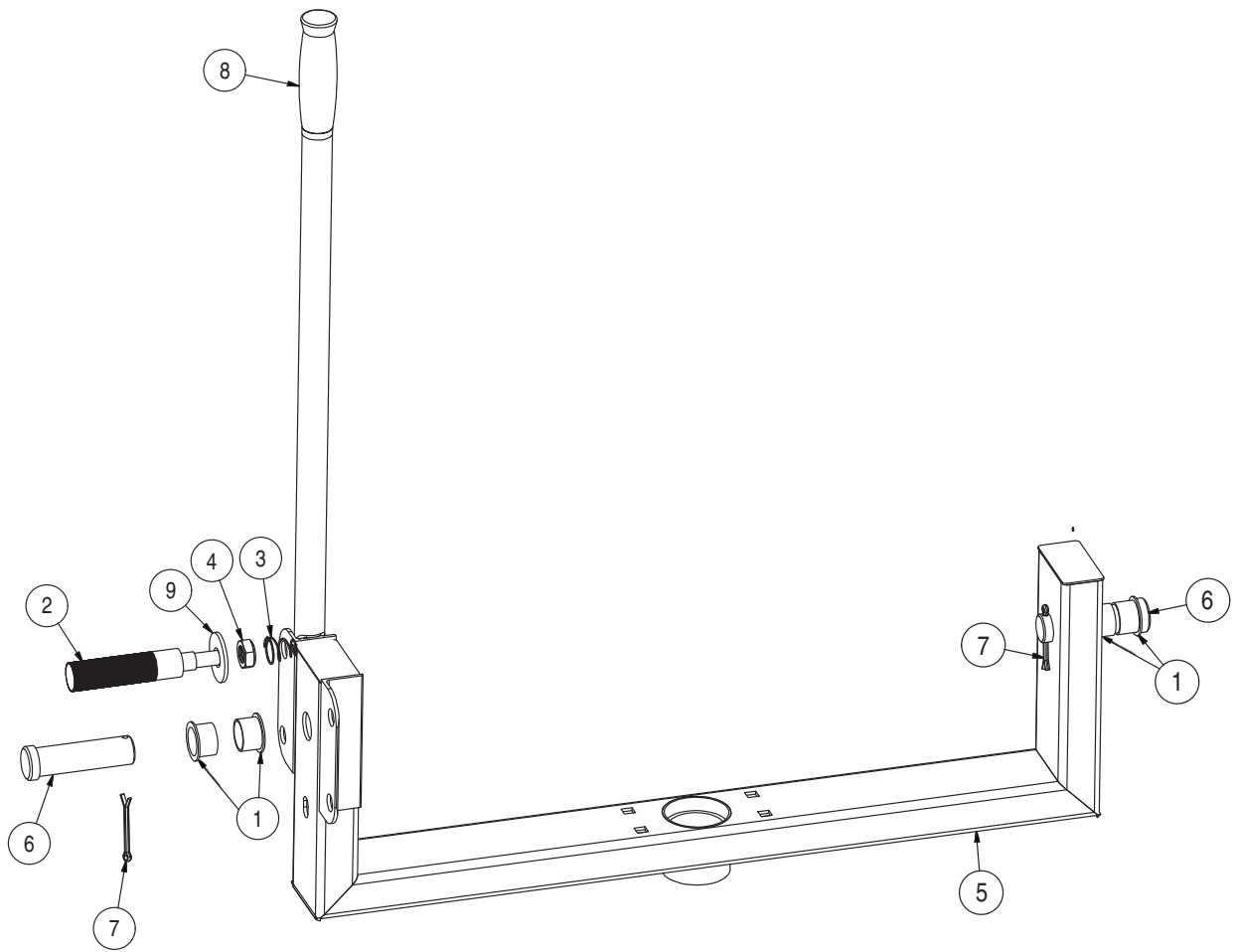
<b>REF #</b>	<b>NAME</b>	<b>PART#</b>	<b>QTY</b>
16	PLASTIC DRUM WELDMENT	R0385	1
17	HEX CAP SCREW, 3/8-16	*	2
9	WASHER, 1.312ID X 2.75OD	**	3
12	IGUS WASHER, 1 1/4" (GTI-2034-01)	**	2
13	RADIAL BEARING	**	2
14	1 1/4" EXTERNAL RETAINING SNAP RING	**	1
15	KEY STOCK, 5/16" SQUARE X 1 3/4"	**	1

\*Kits are sold with the parts listed in the table, common hardware is not sold separately and can be picked up at a local hardware store.

\*\*See washer/bearing kit (EDI 27969)

## ***PLASTIC LINER EDI# 23684***

<b>REF #</b>	<b>NAME</b>	<b>QTY</b>
18	PLASTIC LINER	1



**BUSHING KIT EDI# 27965**

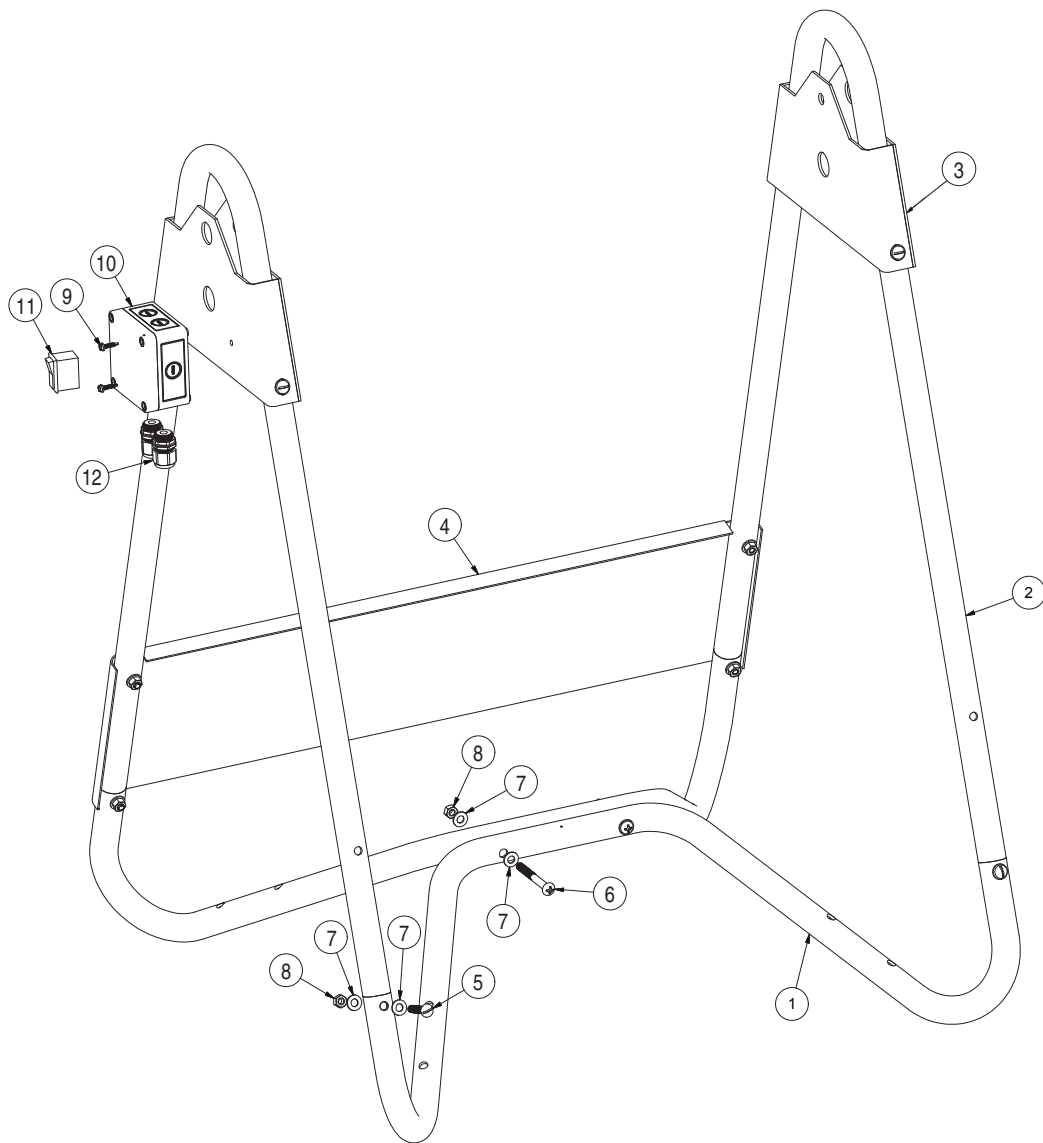
REF #	NAME	QTY
1	IGUS BUSHING	1

**LATCHING PIN KIT EDI# 27966**

REF #	NAME	QTY
2	LATCHING PIN	1
3	SPRING	1
4	THIN LOCKING NYLON NUT, 1/2"-13	1
9	FLAT WASHER, 5/8"	1

**YOKE KIT EDI# 27968**

REF #	NAME	QTY
1	IGUS BUSHING	4
5	YOKE	4
6	CLEVIS PIN, 1"	2
7	COTTER PIN	2
8	TILT HANDLE GRIP	1



### FRAME KIT EDI# 27968

REF #	NAME	PART#	QTY
1	LOWER FRAME	R0375	2
2	SIDE FRAME	R0376	2
3	TOP BRACKET	R0378	2
4	SUPPORT SASH	R0379	1
5	FLAT ROUND HEAD SCREW, 5/16"-18 X 1-3/4"	*	12
6	FLAT ROUND HEAD SCREW, 5/16"-18 X 3"	*	2
7	FLAT WASHER, 5/16"	*	14
8	HEX NUT, 5/16"-18	*	14

\*Kits are sold with the parts listed in the table, common hardware is not sold separately and can be picked up at a local hardware store.

### SWITCH PARTS BREAKDOWN

REF #	NAME	PART#	QTY
9	SCREW, SELF-DRILLING #8 X 3/4 HEX HEAD	*	2
10	ENCLOSURE	WX2247	1
11	SWITCH-ON/OFF	WX2248	1
12	CABLE GLAND	WR1260	2

\*Kits are sold with the parts listed in the table, common hardware is not sold separately and can be picked up at a local hardware store.



104 S. 8th Ave.  
Marshalltown, IA  
Phone 800-888-0127 / 641-753-0127  
Fax 800-477-6341 / 641-753-6341  
[www.MARSHALLTOWN.com](http://www.MARSHALLTOWN.com)