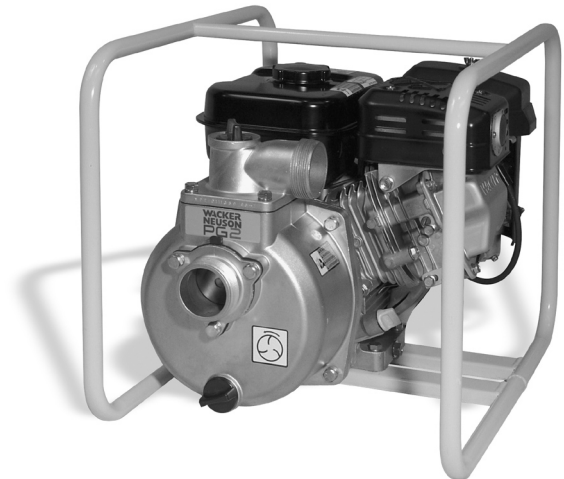


Operator's Manual

Pump

PG2A



Type	PG2A
Document	5000184844
Date	0819
Revision	14
Language	EN



Copyright notice

© Copyright 2019 by Wacker Neuson Production Americas LLC

All rights, including copying and distribution rights, are reserved.

This publication may be photocopied by the original purchaser of the machine. Any other type of reproduction is prohibited without express written permission from Wacker Neuson Production Americas LLC.

Any type of reproduction or distribution not authorized by Wacker Neuson Production Americas LLC represents an infringement of valid copyrights. Violators will be prosecuted.

Trademarks

All trademarks referenced in this manual are the property of their respective owners.

Manufacturer

Wacker Neuson Production Americas LLC

N92W15000 Anthony Avenue

Menomonee Falls, WI 53051 U.S.A.

Tel: (262) 255-0500 · Fax: (262) 255-0550 · Tel: (800) 770-0957

www.wackerneuson.com

Original instructions

This Operator's Manual presents the original instructions. The original language of this Operator's Manual is American English.

CALIFORNIA Proposition 65 Warning



WARNING

The engine exhaust from this product contains chemicals known to the State of California to cause cancer, birth defects, or other reproductive harm.



WARNING

Diesel engine exhaust and some of its constituents are known to the State of California to cause cancer, birth defects, and other reproductive harm.



WARNING

Cancer and Reproductive Harm -
www.P65Warnings.ca.gov.



WARNING

Batteries, battery posts, terminals and related accessories contain lead and lead compounds, and other chemicals known to the State of California to cause cancer and birth defects or other reproductive harm. WASH HANDS AFTER HANDLING.

CALIFORNIA Proposition 65 Warning

Notes

Foreword

SAVE THESE INSTRUCTIONS—This manual contains important instructions for the machine models below. These instructions have been written expressly by Wacker Neuson Production Americas LLC and must be followed during installation, operation, and maintenance of the machines.

Machine	Item Number
PG 2A	0007658, 0009054

Machine documentation

- From this point forward in this documentation, Wacker Neuson Production Americas LLC will be referred to as Wacker Neuson.
- Keep a copy of the Operator's Manual with the machine at all times.
- For spare parts information, please see your Wacker Neuson Dealer, or visit the Wacker Neuson website at <http://www.wackerneuson.com/>.
- When ordering parts or requesting service information, be prepared to provide the machine model number, item number, revision number, and serial number.

Expectations for information in this manual

- This manual provides information and procedures to safely operate and maintain the above Wacker Neuson model(s). For your own safety and to reduce the risk of injury, carefully read, understand, and observe all instructions described in this manual.
- Wacker Neuson expressly reserves the right to make technical modifications, even without notice, which improve the performance or safety standards of its machines.
- The information contained in this manual is based on machines manufactured up until the time of publication. Wacker Neuson reserves the right to change any portion of this information without notice.
- The illustrations, parts, and procedures in this manual refer to Wacker Neuson factory-installed components. Your machine may vary depending on the requirements of your specific region.

CALIFORNIA Proposition 65 Warning

Combustion exhaust, some of its constituents, and certain vehicle components contain or emit chemicals known to the State of California to cause cancer and birth defects or other reproductive harm.

Laws pertaining to spark arresters

NOTICE: State Health Safety Codes and Public Resources Codes specify that in certain locations spark arresters be used on internal combustion engines that use hydrocarbon fuels. A spark arrester is a device designed to prevent accidental discharge of sparks or flames from the engine exhaust. Spark arresters are qualified and rated by the United States Forest Service for this purpose. In order to comply with local laws regarding spark arresters, consult the engine distributor or the local Health and Safety Administrator.

Manufacturer's approval

This manual contains references to *approved* parts, attachments, and modifications. The following definitions apply:

- **Approved parts or attachments** are those either manufactured or provided by Wacker Neuson.
- **Approved modifications** are those performed by an authorized Wacker Neuson service center according to written instructions published by Wacker Neuson.
- **Unapproved parts, attachments, and modifications** are those that do not meet the approved criteria.

Unapproved parts, attachments, or modifications may have the following consequences:

- Serious injury hazards to the operator and persons in the work area
- Permanent damage to the machine which will not be covered under warranty

Contact your Wacker Neuson dealer immediately if you have questions about approved or unapproved parts, attachments, or modifications.





EC DECLARATION OF CONFORMITY

Manufacturer

Wacker Neuson Production Americas LLC, N92W15000 Anthony Avenue,
Menomonee Falls, Wisconsin USA

Product

Product	PG2A
Product category	Water Pump Units
Product function	To pump fluid
Item number	5000009054
Net installed power	2.6 kW
Measured sound power level	100 dB(A)
Guaranteed sound power level	103 dB(A)

Conformity Assessment Procedure

According to ANNEX V

Notified Body

Lloyds Register Verification Limited (Notified Body No 0038)
71 Fenchurch Street, London EC3M 4BS, United Kingdom

Directives and Standards

We hereby declare that this product meets and complies with the relevant regulations and requirements of the following directives and standards:

2000/14/EC, 2006/42/EC, 2014/30/EU

Authorized Person for Technical Documents

Robert Raethsel, Wacker Neuson Produktion GmbH & Co. KG, Wackerstrasse 6,
85084 Reichertshofen, Germany

Menomonee Falls, WI, USA, 25.08.17

Keith Herr
Vice President and Managing Director
For Wacker Neuson

Jeff Volden
Director, Product Engineering
For Wacker Neuson

Travis Pound
Manager, Product Engineering
For Wacker Neuson

	CALIFORNIA Proposition 65 Warning	3
	Foreword	5
	EC Declaration of Conformity	7
1	Safety Information	11
1.1	Signal Words Used in this Manual	11
1.2	Machine Description and Intended Use	12
1.3	Safety Guidelines for Operating the Machine	14
1.4	Operator Safety while Using Internal Combustion Engines	15
1.5	Service Safety	16
2	Labels	18
2.1	Label Locations	18
2.2	Label Meanings	19
3	Lifting and Transporting	21
4	Operation	22
4.1	Preparing the Machine for First Use	22
4.2	Recommended Fuel	22
4.3	Before Starting	23
4.4	Starting	24
4.5	Stopping	24
4.6	Operation	25
4.7	Hoses and Clamps	25
4.8	Emergency Shutdown Procedure	26
5	Maintenance	27
5.1	Maintaining the Emission Control System	27
5.2	Periodic Maintenance Schedule	27
5.3	Cleaning the Pump	28
5.4	Adjusting the Impeller Clearance	29
5.5	Replacing the Mechanical Seal	30
5.6	Spark Plug	31
5.7	Servicing the Air Cleaner	32
5.8	Changing the Engine Oil	33

5.9	Cleaning the Sediment Cup	34
5.10	Adjusting the Carburetor	35
5.11	Adjusting the Idle Speed	35
5.12	Long-Term Storage	36
6	Troubleshooting	37
7	Technical Data	38
7.1	Engine	38
7.2	Machine	39
7.3	Sound Measurements	39
7.4	Dimensions	39
8	Emission Control Systems Information and Warranty—Gasoline	40
8.1	Emission Control Systems Warranty Statement	40
9	AEM Safety Manual	41

1 Safety Information

1.1 Signal Words Used in this Manual

This manual contains DANGER, WARNING, CAUTION, *NOTICE*, and NOTE signal words which must be followed to reduce the possibility of personal injury, damage to the equipment, or improper service.



This is the safety alert symbol. It is used to alert you to potential personal hazards.

- ▶ Obey all safety messages that follow this symbol.
-



DANGER

DANGER indicates a hazardous situation which, if not avoided, will result in death or serious injury.

- ▶ To avoid death or serious injury from this type of hazard, obey all safety messages that follow this signal word.
-



WARNING

WARNING indicates a hazardous situation which, if not avoided, could result in death or serious injury.

- ▶ To avoid possible death or serious injury from this type of hazard, obey all safety messages that follow this signal word.
-



CAUTION

CAUTION indicates a hazardous situation which, if not avoided, could result in minor or moderate injury.

- ▶ To avoid possible minor or moderate injury from this type of hazard, obey all safety messages that follow this signal word.
-

NOTICE: Used without the safety alert symbol, NOTICE indicates a situation which, if not avoided, could result in property damage.

Note: A Note contains additional information important to a procedure.

1.2 Machine Description and Intended Use

This machine is a centrifugal dewatering pump. The Wacker Neuson Dewatering Pump consists of a tubular steel frame surrounding a gasoline engine, a fuel tank, and an impeller pump with ports for water suction and discharge. The engine rotates the impeller during operation. Waste water is drawn into the pump through the suction port and expelled through the discharge port. The operator connects hoses to the pump and routes them so that water and solids are drained from the work area and discharged into an appropriate location.

This machine is intended to be used for general de-watering applications. This machine is intended for the pumping of clear water, or water containing solids up to the size stated within the product specifications, and up to the flow, head and suction lift limits also stated within the product specifications.

This machine has been designed and built strictly for the intended use described above. Using the machine for any other purpose could permanently damage the machine or seriously injure the operator or other persons in the area. Machine damage caused by misuse is not covered under warranty.

The following are some examples of misuse:

- Pumping flammable, explosive, or corrosive fluids
- Pumping hot or volatile fluids that result in pump cavitation
- Operating the pump outside of product specifications due to incorrect diameter hoses, incorrect length hoses, other inlet or outlet restrictions, or excessive suction lift or head
- Using the machine as a ladder, support, or work surface
- Using the machine to carry or transport passengers or equipment
- Operating the machine outside of factory specifications
- Operating the machine in a manner inconsistent with all warnings found on the machine and in the Operator's Manual.

This machine has been designed and built in accordance with the latest global safety standards. It has been carefully engineered to eliminate hazards as far as practicable and to increase operator safety through protective guards and labeling. However, some risks may remain even after protective measures have been taken. They are called residual risks. On this machine, they may include exposure to:

- Heat, noise, exhaust, and carbon monoxide from the engine
- Fire hazards from improper refueling techniques

- Fuel and its fumes
- Personal injury from improper lifting techniques
- Projectile hazard from discharge
- Crushing hazards from a tipping or falling pump

To protect yourself and others, make sure you thoroughly read and understand the safety information presented in this manual before operating the machine.

1.3 Safety Guidelines for Operating the Machine



WARNING Familiarity and proper training are required for the safe operation of the machine. Machines operated improperly or by untrained personnel can be hazardous. Read the operating instructions contained in this manual and the engine manual, and familiarize yourself with the location and proper use of all controls. Inexperienced operators should receive instruction from someone familiar with the machine before being allowed to operate it.

Operator qualifications

Only trained personnel are permitted to start, operate, and shut down the machine. They also must meet the following qualifications:

- Have received instruction on how to properly use the machine
- Are familiar with required safety devices

The machine must not be accessed or operated by:

- Children
- People impaired by alcohol or drugs

Personal Protective Equipment (PPE)

Wear the following Personal Protective Equipment (PPE) while operating this machine:

- Close-fitting work clothes that do not hinder movement
- Safety glasses with side shields
- Hearing protection
- Safety-toed footwear
- Do not touch the engine or muffler while the engine is on or immediately after it has been turned off. These areas get hot and may cause burns.
- Do not use accessories or attachments that are not recommended by Wacker Neuson. Damage to equipment and injury to the user may result.
- Do not pump volatile, flammable, or low flash point fluids. These fluids could ignite or explode.
- Do not pump corrosive chemicals or water containing toxic substances. These fluids could create serious health and environmental hazards. Contact local authorities for assistance.
- Do not open the priming plug when the pump is hot. Do not loosen or remove inlet or discharge hose fittings when the pump is hot. Hot water inside could be pressurized much like the radiator on an automobile. Allow the pump to cool to the touch before loosening the plug and before loosening or removing the inlet or discharge hose fittings.

- Do not open pump housing cover while pump is operating, or start pump with the cover off. The rotating impeller inside the pump can cut or sever objects caught in it.
- Do not block or restrict flow from inlet line or discharge line. Remove kinks from discharge line before starting pump. Operation with a blocked inlet line or discharge line can cause water inside pump to overheat.
- Read, understand, and follow procedures in the Operator's Manual before attempting to operate the machine.
- Be sure operator is familiar with proper safety precautions and operation techniques before using machine.
- Be sure the machine is on a firm, level surface and will not tip, roll, slide, or fall while operating.
- Close fuel valve on engines equipped with one when machine is not being operated.
- Store the machine properly when it is not being used. The machine should be stored in a clean, dry location out of the reach of children.

1.4 Operator Safety while Using Internal Combustion Engines



WARNING

Internal combustion engines present special hazards during operation and fueling. Failure to follow the warnings and safety standards could result in severe injury or death.

- ▶ Read and follow the warning instructions in the engine owner's manual and the safety guidelines below.



DANGER

Asphyxiation hazard. Using a pump indoors CAN KILL YOU IN MINUTES. Pump exhaust contains carbon monoxide. This is a poison you cannot see or smell.

- Ñ NEVER use this pump inside a home or garage, EVEN IF doors and windows are open. Only use OUTSIDE and far away from windows, doors, and vents.
- ▶ NEVER use a pump inside an enclosed area, such as a tunnel or a trench, unless adequate ventilation is provided through such items as exhaust fans or hoses.

Operating safety

When operating the pump:

- Keep the area around exhaust pipe free of flammable materials.
- Check the fuel lines and the fuel tank for leaks and cracks before starting the engine.

When operating the pump:

- Do not smoke while operating the machine.
- Do not run the machine if fuel leaks are present or the fuel lines are loose.
- Do not run the engine near sparks or open flames.
- Do not touch the engine or muffler while the engine is running or immediately after it has been turned off.
- Do not operate a machine when its fuel cap is loose or missing.
- Do not start the engine if fuel has spilled or a fuel odor is present. Move the machine away from the spill and wipe the machine dry before starting.

Refueling safety

When refueling the engine:

- Clean up any spilled fuel immediately.
- Refill the fuel tank in a well-ventilated area.
- Replace the fuel tank cap after refueling.

When refueling the engine:

- Do not smoke.
- Do not refuel a hot or running engine.
- Do not refuel the engine near sparks or open flames.
- Do not refuel if the machine is positioned in a truck fitted with a plastic bed liner. Static electricity can ignite the fuel or fuel vapors.

1.5 Service Safety



WARNING A poorly maintained machine can become a safety hazard! In order for the machine to operate safely and properly over a long period of time, periodic maintenance and occasional repairs are necessary.

Personal Protective Equipment (PPE)

Wear the following Personal Protective Equipment (PPE) while servicing or maintaining this machine:

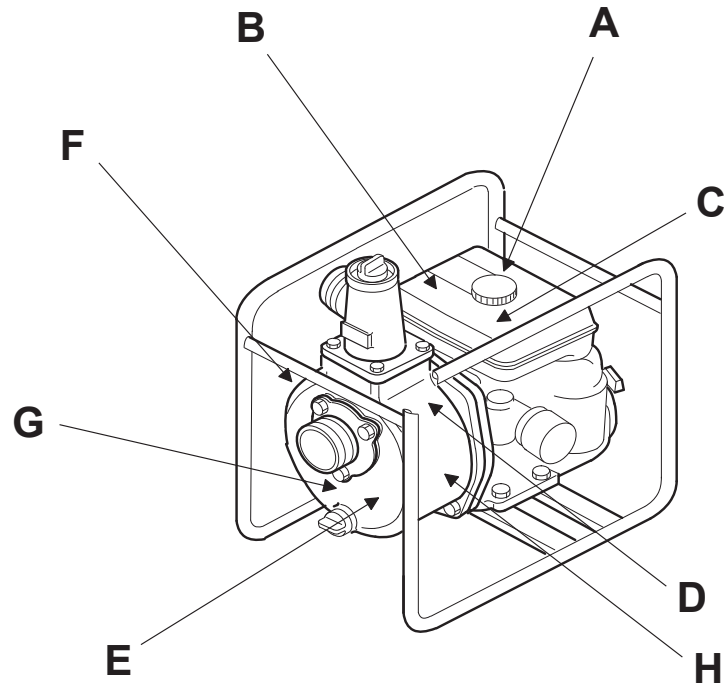
- Close-fitting work clothes that do not hinder movement
- Safety glasses with side shields
- Hearing protection
- Safety-toed footwear

In addition, before servicing or maintaining the machine:

- Tie back long hair.
- Remove all jewelry (including rings).
- Do not attempt to clean or service the machine while it is running. Rotating parts can cause severe injury.
- Do not crank a flooded engine with the spark plug removed on gasoline-powered engines. Fuel trapped in the cylinder will squirt out the spark plug opening.
- Do not test for spark on gasoline-powered engines if the engine is flooded or the smell of gasoline is present. A stray spark could ignite the fumes.
- Do not use gasoline or other types of fuels or flammable solvents to clean parts, especially in enclosed areas. Fumes from fuels and solvents can become explosive.
- Keep the area around the muffler free of debris such as leaves, paper, cartons, etc. A hot muffler could ignite the debris and start a fire.
- Replace worn or damaged components with spare parts designed and approved by Wacker Neuson.
- When replacement parts are required for this machine, use only Wacker Neuson replacement parts or those parts equivalent to the original in all types of specifications, such as physical dimensions, type, strength, and material.
- Disconnect the spark plug on machines equipped with gasoline engines, before servicing, to avoid accidental start-up.






2 Labels


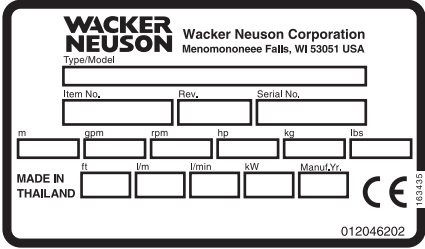

2.1 Label Locations



wc_gr000833

2.2 Label Meanings

<p>A</p>	 <p>178715</p>	<p>DANGER Asphyxiation hazard.</p> <ul style="list-style-type: none"> Engines emit carbon monoxide. Do not run the machine indoors or in an enclosed area. NEVER use inside a home or garage, EVEN IF doors and windows are open. <p>Only use OUTSIDE and far away from windows, doors, and vents.</p> <ul style="list-style-type: none"> Read the Operator's Manual. No sparks, flames, or burning objects near the machine. Stop the engine before refueling.
<p>B</p>	 <p>178713</p>	<p>WARNING Hot surface</p>
<p>C</p>	 <p>178714</p>	<p>CAUTION Read and understand the supplied Operator's Manual before operating this machine. Failure to do so increases the risk of injury to yourself and others.</p>
<p>D</p>	 <p>178711</p>	<p>WARNING Pressurized contents. Do not open when hot!</p>
<p>E</p>		<p>Impeller rotation.</p>

<p>F</p>		<p>Guaranteed sound power level in db(A)</p>
<p>G</p>		<p>A nameplate listing the model number, item number, revision number, and serial number is attached to each unit. Please record the information found on this nameplate so it will be available should the nameplate become lost or damaged. When ordering parts or requesting service information, you will always be asked to specify the model number, item number, revision number, and serial number of the unit.</p>
<p>H</p>		<p>WARNING This product can expose you to chemicals including soots, tars and mineral oils, which are known to the State of California to cause cancer, and carbon monoxide, which is known to the State of California to cause birth defects or other reproductive harm. For more information go to www.P65Warnings.ca.gov.</p>

3 Lifting and Transporting

Lifting the machine

This pump is heavy enough to cause injury if proper lifting techniques are not used. Observe the following guidelines when lifting the pump.

- Do not attempt to lift the pump unassisted. Use appropriate lifting equipment such as slings, chains, hooks, ramps, or jacks.
 - Make sure lifting equipment is attached securely and has enough weight-bearing capacity to lift or hold the pump safely.
 - Remain aware of the location of other people nearby when lifting the pump.
-

Transporting the machine

Observe the following guidelines when transporting the pump to and from the job site.

- Drain the fuel tank before transporting the pump.
- Ensure that the pump is securely strapped down in the transport vehicle to prevent it from sliding or tipping.
- Do not refuel the pump in or on the transport vehicle. Move the pump to its operating location and then fill the fuel tank.

4 Operation

4.1 Preparing the Machine for First Use

1. Make sure all loose packaging materials have been removed from the machine.
2. Check the machine and its components for damage. If there is visible damage, do not operate the machine. Contact your Wacker Neuson dealer immediately for assistance.
3. Take inventory of all items included with the machine and verify that all loose components and fasteners are accounted for.
4. Attach component parts not already attached.
5. Add fluids as needed and applicable, including fuel, engine oil, and battery acid.
6. Move the machine to its operating location.

4.2 Recommended Fuel

Type

This engine/equipment requires regular unleaded gasoline.

- Use only fresh (no older than three months old), clean gasoline.
- Use a fuel stabilizer per the fuel stabilizer manufacturer's instructions.

Use of oxygenated fuels

Some conventional gasolines are blended with alcohol. These gasolines are collectively referred to as oxygenated fuels. If you use an oxygenated fuel, be sure it is unleaded and meets the minimum octane rating requirement.

Before using an oxygenated fuel, confirm the fuel's contents. Some states and provinces require this information to be posted on the fuel pump.

The following is the Wacker Neuson approved percentage of oxygenates:

ETHANOL - (ethyl or grain alcohol) 10% by volume. You may use gasoline containing up to 10% ethanol by volume (commonly referred to as E10). Gasoline containing more than 10% ethanol (such as E15, E20, or E85) may not be used because it could damage the engine.

If you notice any undesirable operating symptoms, try another service station, or switch to another brand of gasoline.

Fuel system damage or performance problems resulting from the use of an oxygenated fuel containing more than the percentages of oxygenates mentioned above are not covered under warranty.



4.3 Before Starting

1. Read safety instructions at the beginning of this Operator's Manual.
2. Place pump as near to water as possible, on a firm, flat, level surface.
3. To prime pump, remove prime plug (a) and fill pump housing with water. If the pump housing is not filled with water before starting, it will not begin pumping.

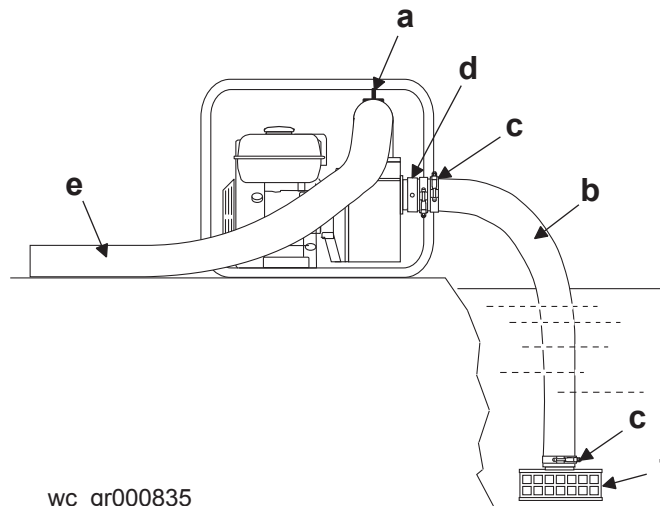


WARNING Do not open priming plug, discharge plug, or loosen hose fittings if pump is hot! Water or vapor inside pump may be under pressure.

4. Check for leaks between pump and engine. If water is leaking, the seal inside pump is worn or damaged. Continued operation may cause water damage to engine.
5. Check that hoses are securely attached to pump. Suction hose (b) must not have any air leaks. Tighten hose clamps (c) and couplings (d). Check that discharge hose (e) is not restricted. Lay hose out as straight as possible. Remove any twists or sharp bends from hose which may block the flow of water.
6. Make sure suction strainer (f) is clean and securely attached to end of hose. The strainer is designed to protect the pump by preventing large objects from being pulled into the pump.

NOTICE: Strainer should be positioned so it will remain completely under water. Running the pump with the strainer above water for long periods can damage the pump.

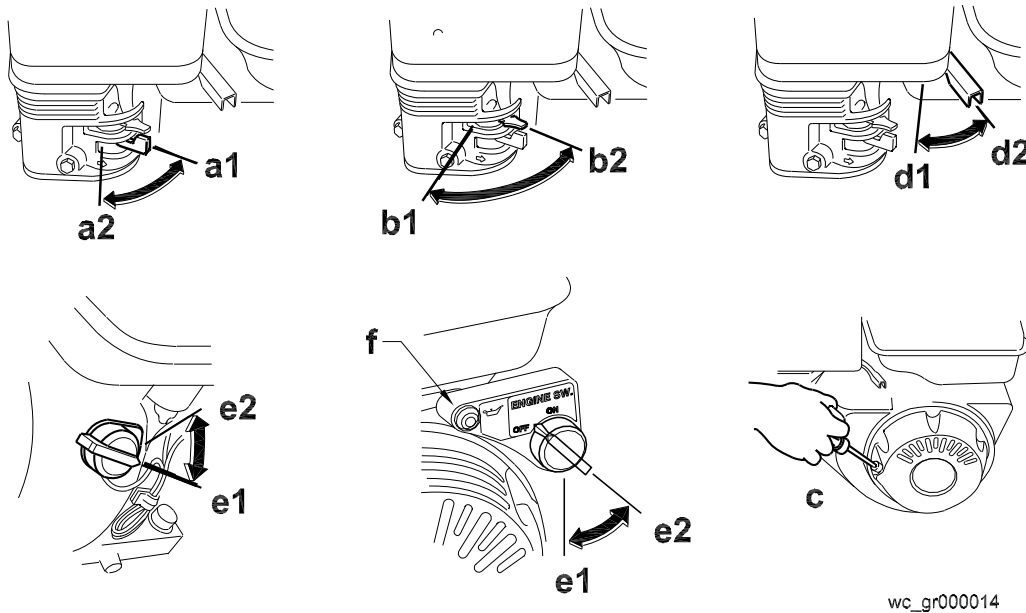
7. Check fuel level, engine oil level, and condition of air cleaner.



wc_gr000835

4.4 Starting

1. Open fuel valve by moving lever to the right (**a1**).
Note: If engine is cold, move choke lever to close position (**b1**). If engine is hot, set choke to open position (**b2**).
2. Turn engine switch to "ON" (**e1**).
3. Open throttle by moving it slightly to left (**d1**).
4. Pull starter rope (**c**).
Note: If the oil level in the engine is low, the engine will not start. If this happens, add oil to engine. Some engines are equipped with an oil alert light (**f**) that will come on while pulling the starter rope.
5. Open choke as engine warms (**b2**).
6. Open throttle fully to operate.



wc_gr000014

4.5 Stopping

1. Reduce engine RPM to idle by moving throttle completely to right (**d2**).
2. Turn engine switch to "OFF" (**e2**).
3. Close fuel valve by moving lever to the left (**a2**).

4.6 Operation

Pump should begin pumping water within a minute depending on length of suction hose and height of pump above water. Longer hoses will require more time.



WARNING If pump does not prime, check for loose fittings or air leak in suction hose. Make sure strainer in water is not blocked.

Run engine at full speed while operating pump.

4.7 Hoses and Clamps

Suction hoses (**a**) must be rigid enough not to collapse when pump is operating.

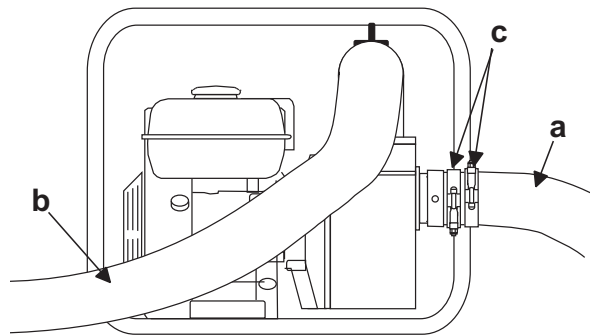
Discharge hoses (**b**) are usually thin-walled collapsible hoses. Rigid hoses similar to those used as suction hoses may also be used as discharge hoses.

Note: *Suction and discharge hoses are available from Wacker Neuson. Contact your nearest dealer for more information.*

Two clamps (**c**) are recommended for connection of suction hoses to inlet coupling.

Note: *This connection is important. Even a small air leak on the suction side of pump will prevent the pump from priming.*

For other hose connections, one T-bolt or worm-gear-type clamp is usually sufficient to hold hoses in place. In some cases, slight variances in hose diameters may make it necessary to add more clamps in order to maintain tight connections.



wc_gr000836

4.8 Emergency Shutdown Procedure

If a breakdown/accident occurs while the machine is operating, follow the procedure below.

1. Stop the engine.
2. Turn off the fuel supply.
3. Remove any obstructions.
4. Unkink the hoses.
5. Allow the machine to cool.
6. Contact the rental yard or machine owner.



5 Maintenance

5.1 Maintaining the Emission Control System

Normal maintenance, replacement, or repair of emission control devices and systems may be performed by any repair establishment or individual; however, warranty repairs must be performed by a dealer/service center authorized by the engine manufacturer. See the supplied engine owner’s manual for the applicable emission warranty information.

5.2 Periodic Maintenance Schedule

The table below lists basic machine maintenance. Tasks designated with check marks may be performed by the operator. Tasks designated with square bullet points require special training and equipment.

	Daily before starting	After first 20 hrs.	Every 50 hrs.	Every 100 hrs.	Every 300 hrs.
Check fuel level.	✓				
Check engine oil level.	✓				
Inspect air cleaner element. Replace as needed.	✓				
Check external hardware.	✓				
Inspect hoses and housing for leaks.	✓				
Clean air cleaner element.			✓		
Change engine oil.		✓		✓	
Clean cooling system.				✓	
Check and clean spark plug.				✓	
Clean sediment cup.				✓	
Check and adjust valve clearance.					✓
Check and adjust impeller clearance.					✓

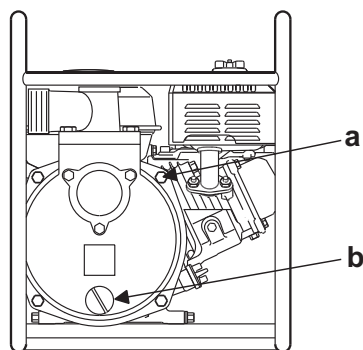
5.3 Cleaning the Pump

After pumping water containing a large amount of dirt or debris, clean out inside of pump housing.

1. Remove drain plug **(b)** from pump housing and drain any water left in pump.
2. Loosen the four knobs holding the pump cover **(a)** and remove cover.
3. Clean out dirt and debris. Inspect impeller and volute insert for wear.



The impeller may develop sharp edges. Use care when cleaning around impeller to avoid getting cut.



wc_gr000837

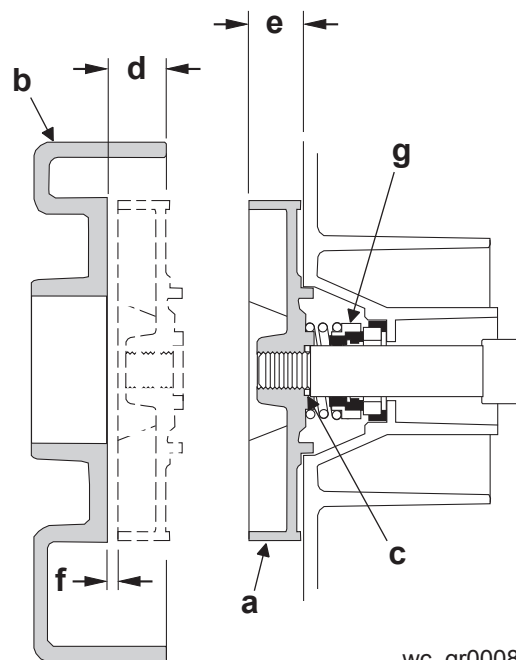
5.4 Adjusting the Impeller Clearance

If it is necessary to replace impeller or volute, be sure clearance between impeller and volute is adjusted correctly. The impeller (**a**) should be as close to the volute (**b**) as possible without rubbing against it. Clearance is adjusted by adding or removing shims (**c**) from behind impeller. To adjust the clearance do the following:

1. Remove pump housing but do not remove impeller.
2. Measure the distance (**d**) of volute.
3. Measure the distance (**e**) of impeller.
4. Subtract the distance (**e**) from (**d**).
5. $(d) - (e) = (f)$ clearance.
6. The clearance between the volute and the impeller should be 0.3 mm (0.012 in.) to 0.7 mm (0.028 in.). Adjust the distance by removing the impeller and adding shims as needed.

Each shim measures 0.3 mm (0.012 in.).

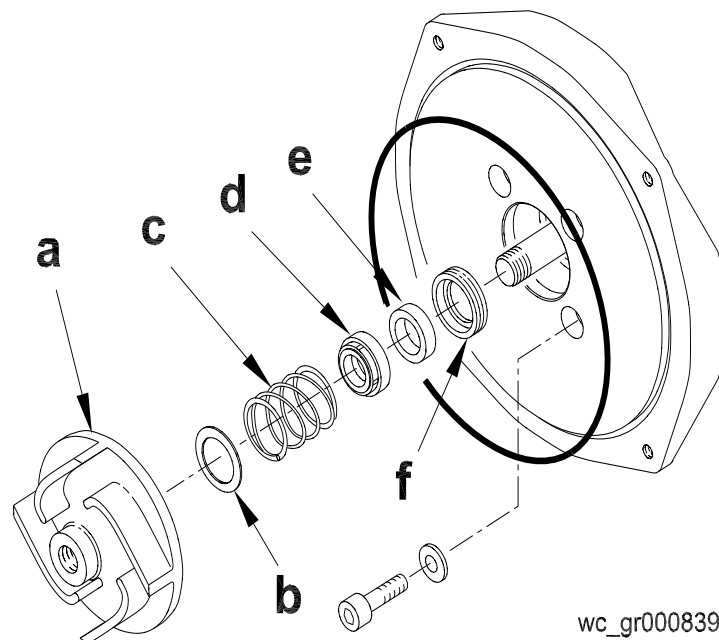
As the impeller wears down, additional shims may be required to maintain the clearance between the impeller and the volute. Check the clearance whenever the mechanical seal (**g**), impeller, volute, or rear flange plate are replaced.



5.5 Replacing the Mechanical Seal

To service the mechanical seal do the following:

1. Remove the impeller **(a)** from the engine shaft by turning it counterclockwise.
Note: *If the impeller is hard to remove, tap it with a plastic mallet. Do not lose any adjusting shims **(b)**.*
2. Remove mechanical seal spring **(c)** and carbon face **(d)** from crankshaft.
3. Remove mechanical seal ceramic face **(e)** and L-ring **(f)**.
4. Clean engine shaft, remove any rust. Also clean contact surface of ceramic and carbon faces with a clean cloth. Do not lubricate seal faces.
5. Place ceramic face in L-ring and install in pump flange. Carefully place carbon face and seal spring on engine shaft.
6. Mount impeller to engine shaft. Turn impeller shaft clockwise to tighten. See Section *Adjusting Impeller Clearance*.



5.6 Spark Plug

Clean or replace spark plug as needed to ensure proper operation. Refer to the engine owner's manual.

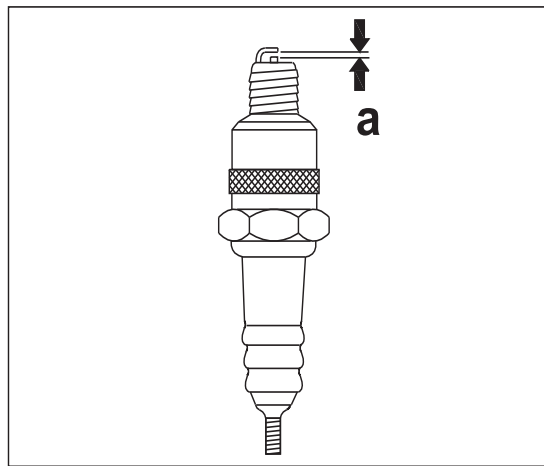
Recommended Plug: (NGK) BPR 6ES



The muffler becomes very hot during operation and remains hot for a while after stopping the engine. Do not touch the muffler while it is hot.

1. Remove spark plug and inspect it.
2. Replace plug if the insulator is cracked or chipped.
3. Clean spark plug electrodes with a wire brush.
4. Set gap (**a**) to 0.7-0.8 mm (0.028–0.031 in).
5. Tighten spark plug securely.

NOTICE: A loose spark plug can become very hot and may cause engine damage.



wc_gr000028

5.7 Servicing the Air Cleaner

Service air cleaner frequently to prevent carburetor malfunction.

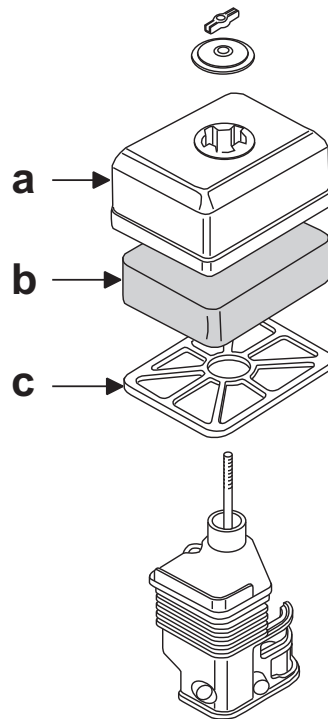
NOTICE: NEVER run engine without air cleaner. Severe engine damage will occur.



NEVER use gasoline or other types of low flash point solvents for cleaning the air cleaner. A fire or explosion could result.

To service:

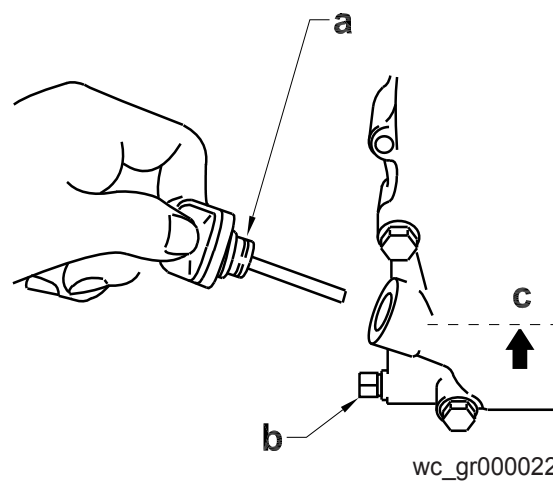
1. Remove air cleaner cover (**a**). Inspect element (**b**) for holes or tears. Replace element if damaged.
2. Wash element in solution of mild detergent and warm water. Rinse thoroughly in clean water. Allow element to dry thoroughly.
Soak element in clean engine oil and squeeze out excess oil.
3. Install element, grid plate (**c**), and air cleaner cover.



wc_gr000840

5.8 Changing the Engine Oil

- Procedure**
1. Drain the oil while the engine is still warm.
 2. Remove the oil filler plug **(a)** and the drain plug **(b)** to drain the oil.
- Note:** *In the interests of environmental protection, place a plastic sheet and a container under the machine to collect any liquid that drains off. Dispose of this liquid in accordance with environmental protection legislation.*
3. Install the drain plug.
 4. Fill the engine crankcase with the recommended oil up to the level of the plug opening **(c)**. See *Technical Data* for oil quantity and type.
 5. Install the oil filler plug.



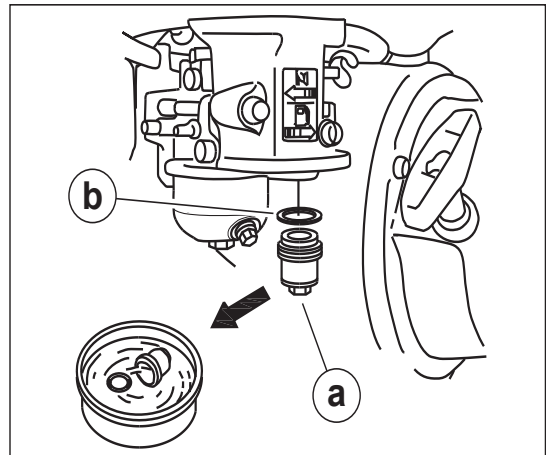
WARNING

Most used oil contains small amounts of materials that can cause cancer and other health problems if inhaled, ingested, or left in contact with skin for prolonged periods of time.

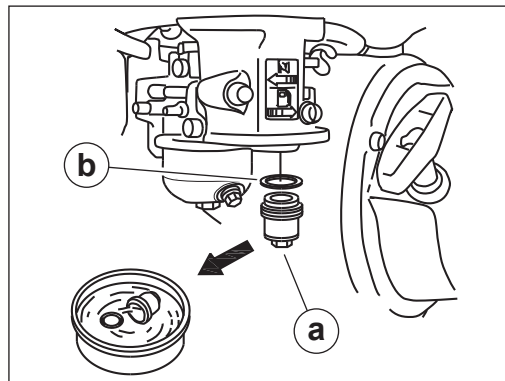
- ▶ Take steps to avoid inhaling or ingesting used engine oil.
- ▶ Wash skin thoroughly after exposure to used engine oil.

5.9 Cleaning the Sediment Cup

1. Turn the fuel valve off.
2. Remove the sediment cup (a) and the O-ring (b).
3. Wash the sediment cup in a nonflammable solvent.
4. Dry and install the sediment cup.
5. Replace the O-ring with a new one.
6. Turn the fuel valve on and check for leaks.



wc_gr000029

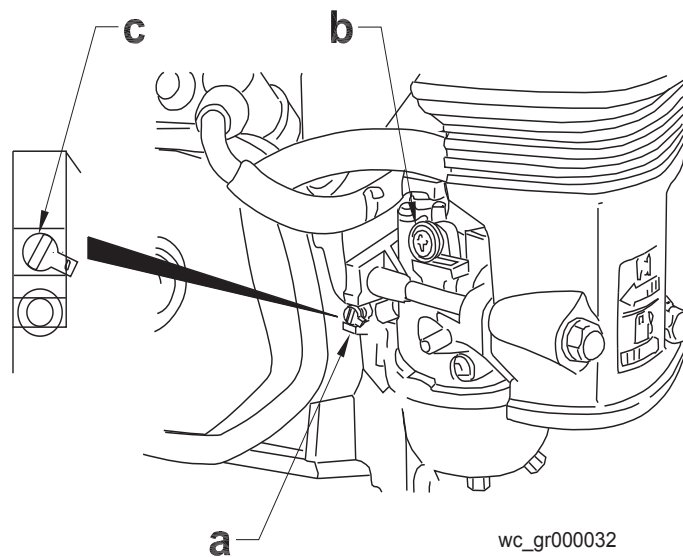


wc_gr000029

5.10 Adjusting the Carburetor

1. Start the engine and allow it to warm up to operating temperature.
2. Set the pilot screw **(a)** two turns out. See *Note*.
3. With the engine idling, turn the pilot screw **(a)** in or out to the setting that produces the highest rpm.
4. After the pilot screw is adjusted, turn the throttle stop screw **(b)** to obtain the standard idle speed. See *Technical Data*.

Note: On some engines the pilot screw is fitted with a limiter cap **(c)** to prevent excessive enrichment of the air-fuel mixture in order to comply with emission regulations. The mixture is set at the factory and no adjustment should be necessary. Do not attempt to remove the limiter cap. The limiter cap cannot be removed without breaking the pilot screw.



5.11 Adjusting the Idle Speed

To adjust idle speed:

1. Start engine and allow it to warm up to normal operating temperature.
2. Turn throttle stop screw **(b)** in to increase speed, out to decrease speed.

5.12 Long-Term Storage

If pump is being stored for more than 30 days:



Do not open priming plug, discharge plug, or cover when pump is hot.

1. After pump has cooled, remove discharge plug from pump housing and drain out any water left in the housing.
2. Remove pump cover and clean inside of pump housing. Coat inside of pump with a light film of oil to reduce corrosion. A spray can of oil works well for this.
3. Tape up suction and discharge ports to prevent anything from falling into pump.
4. Change engine oil and follow procedures described in engine manual for engine storage.
5. Cover pump and engine and store in a clean, dry area.

6 Troubleshooting

Problem / Symptom	Reason / Remedy
Pump does not take in water.	<ul style="list-style-type: none"> ■ Not enough priming water in housing. ■ Engine speed too low. Adjust speed. ■ Strainer plugged. Clean strainer. ■ Suction hose damaged. Replace or repair hose. ■ Air leak at suction port. Check that fittings are tight and sealing properly. ■ Pump too high above water. ■ Debris collecting in pump housing. Clean pump housing. ■ Too much clearance between impeller and insert.
Pump takes in water, little or no discharge.	<ul style="list-style-type: none"> ■ Engine speed too low. Adjust speed. ■ Suction strainer partially plugged. Clean strainer. ■ Impeller worn. Adjust clearance by adding shims or replace impeller. ■ Volute insert worn or damaged. Adjust clearance or replace insert.
Suction hose leaks at inlet.	<ul style="list-style-type: none"> ■ Clamps are not sealing properly. Tighten, replace, or add clamp. ■ Hose diameter is too large. ■ Hose is damaged.
Discharge hose does not stay on coupling.	<ul style="list-style-type: none"> ■ Pressure may be too high for clamps being used. Add another clamp. ■ Hose kinked or end blocked. Check hose.
Impeller does not turn; pump is hard to start.	<ul style="list-style-type: none"> ■ Impeller jammed or blocked. Open pump cover and clean dirt and debris from inside of pump housing. ■ Impeller and insert binding. Adjust clearance by removing shim from behind insert.

7 Technical Data

7.1 Engine

Engine Power Rating

Net power rating per SAE J1349. Actual power output may vary due to conditions of specific use.

Item Number:	PG 2A 0009054 Rev. 102 and lower; 0007658	PG 2A 0009054 Rev. 103 and higher
Engine		
Engine Make	Honda	
Engine Model	GX120K1WKT2	GX120K1WKT4
Max. Rated Power @ Rated Speed	2.6 (3.5) @ 3600 rpm	
Operating Speed	3600 ± 100	
Spark Plug	NGK BPR 6ES	
Electrode Gap	0.7–0.8 (0.028–0.031)	
Air Cleaner	Single element	
Engine Lubrication oil	SAE 10W30 SG or SF	
Engine Oil Capacity	600 (20)	
Fuel	Regular unleaded gasoline	
Fuel Tank Capacity	2.5 (2.6)	
Valve Clearance (cold)	Inlet: 0.15 (0.006) Outlet: 0.20 (0.008)	

7.2 Machine

Pump		
Weight	kg (lbs.)	24 (53)
*Max. Suction Lift	m (ft.)	7.5 (25)
Max. Total Head	m (ft.)	27 (88)
Suction / Discharge Dia.	mm (in.)	50 (2)
Maximum Solid Size	mm (in.)	6.5 (0.25)
Max. Discharge	l/min (gpm)	640 (169)

* Based on pump operating at sea level. Maximum suction lift will be less at higher altitudes.

7.3 Sound Measurements

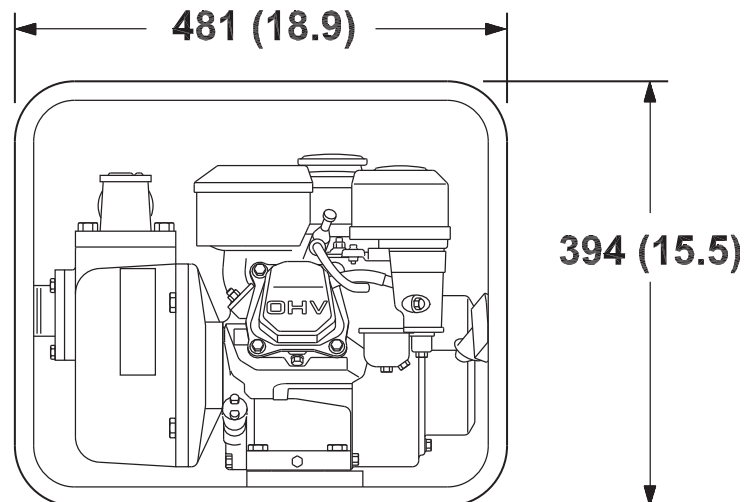
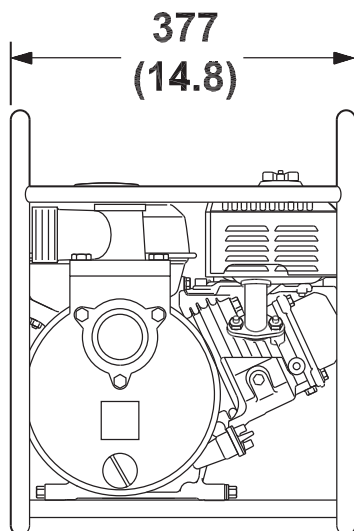
The required sound specification, Paragraph 1.7.4.f of 89/392/EEC Machinery Directive, is:

- the sound pressure level at operator's location (L_{pA}) = 84 dB(A)
- the guaranteed sound power level (L_{WA}) = 103 dB(A)

These sound values were determined according to ISO 3744 for the sound power level (L_{WA}) and ISO 6081 for the sound pressure level (L_{pA}) at the operator's location.

7.4 Dimensions

mm (in.)



wc_gr000834

8 Emission Control Systems Information and Warranty—Gasoline

The Emission Control Warranty and associated information is valid only for the U.S.A., its territories, and Canada.

8.1 Emission Control Systems Warranty Statement

See the supplied engine owner's manual for the applicable exhaust and evaporative emission warranty statement.



SAFETY MANUAL

FOR OPERATING AND MAINTENANCE PERSONNEL

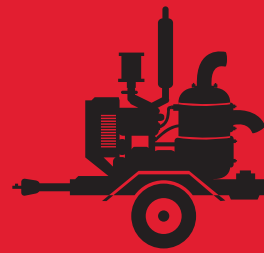
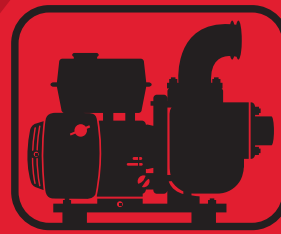


Table of Contents

Acknowledgment.....	2
Foreword	3
Safety Alerts.....	4
A Word to the User/Operator	5
Follow a Safety Program.....	6
Prepare for Safe Operation.....	10
Start Safely	14
Operate Safely	16
Shut Down Safely	23
Perform Maintenance Safely	24
Final Word to the User	35

Acknowledgment

We wish to thank the members of the Association of Equipment Manufacturers for their invaluable contributions in preparing this Safety Manual.

NOTICE OF COPYRIGHT PROTECTION

Copyright 2015, by the Association of Equipment Manufacturers. All rights reserved. This work may not be reproduced or disseminated in whole or in part by any means without the prior written permission of the Association of Equipment Manufacturers.

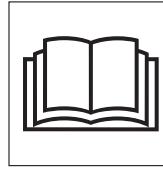
Foreword

This safety manual is intended to point out some common safety situations that may be encountered during the normal operation and maintenance of your pump and to instruct you in safety practices for dealing with these conditions. This manual is **NOT** a substitute for the manufacturer's operating manual(s).

Additional precautions may be necessary, or some instructions may not apply, depending on equipment, attachments and conditions at the job site or in the service area. The manufacturer has no direct control over equipment loading, transportation, unloading, application, operation, inspection or maintenance. Therefore, it is **YOUR** responsibility to use good safety practices in these areas.

The information provided in this manual supplements the specific information about your pump that is contained in the manufacturer's operating manual(s). Other information that may affect the safe operation of your machine may be contained in the following:

- Safety signs, tags, nameplates
- Insurance requirements
- Employer safety and training programs
- Safety codes
- Local, state/provincial, and federal laws, rules, and regulations



Read and understand manuals before operating

IMPORTANT! Before you operate this machine, make sure you have the manufacturer's manual(s) for this pump and all attachments or accessories. If the manufacturer's manual(s) are missing, obtain replacements from your employer, equipment dealer, or directly from the manufacturer. Keep this safety manual and the manufacturer's manual(s) with the machine at all times. Read and understand all applicable manuals before operating this pump or any other piece of equipment.

Safety videos and other training resources are available from some manufacturers and dealers. Operators are encouraged to periodically review these resources.

Safety Alerts

Safety Alert Symbol

This Safety Alert Symbol means:
"Attention! Stay alert! Your safety is involved!"



The Safety Alert Symbol identifies important safety messages on equipment, safety signs, in manuals, or elsewhere. When you see this symbol, be alert to the possibility of death or personal injury. Carefully read the message that follows and inform other operators. Follow instructions in the safety message.

Signal Words

Signal words are distinctive words that are typically found on safety signs on the portable pumps and other job site equipment. These words may also be found in this manual and the manufacturer's manual(s). These words are intended to alert the operator to a hazard and the degree of severity of the hazard.



DANGER indicates a hazardous situation that, if not avoided, will result in death or serious injury.



WARNING indicates a hazardous situation that, if not avoided, could result in death or serious injury.



CAUTION indicates a hazardous situation that, if not avoided, may result in minor or moderate injury.



NOTICE is used to address practices not related to physical injury.

A Word to the User/Operator

It is **YOUR** responsibility to read and understand this safety manual and the manufacturer's manual(s) before operating this equipment. This safety manual takes you step by step through the working day.

Graphics have been provided to help you understand the text.

Hazard recognition and accident prevention depend upon you being alert, careful, and properly trained in the inspection, operation, transport, maintenance, and storage of this equipment.



Read and understand all safety signs – replace damaged signs

Remember that **YOU** are the key to safety. Good safety practices not only protect you but also protect the people around you. Study this manual and the manufacturer's operating manual(s) for the specific machine. Make them a working part of your safety program. Keep in mind that this safety manual is written only for portable pumps.

After studying the manufacturer's operating manual(s) and this safety manual, please contact the equipment manufacturer with any remaining questions.

Practice all usual and customary safe working precautions and remember:

Safe operation is up to you!

You can prevent death or serious injury caused by unsafe work practices!

5

Follow a Safety Program

For Safe Operation

You must be a qualified and authorized operator for safe operation of this pump. You must clearly understand the written instructions supplied by the manufacturer, be trained—including actual operation—and know the safety rules and regulations for the job site. It is a good safety practice to point out and explain safety signs and practices to others, and to make sure they understand the importance of following these instructions.



Never operate while impaired by alcohol or drugs

⚠ WARNING! Death or serious injury could result from operating machinery while impaired by drugs or alcohol. Drugs and alcohol affect operator alertness, coordination, and the ability to safely operate the equipment. **Never operate the pump while impaired by use of alcohol or drugs. Never knowingly allow anyone to operate the machine when their alertness or coordination is impaired.**

An operator taking prescriptions or over-the-counter medication must consult a medical professional regarding any side effects of the medication that would hinder their ability to safely operate this equipment.

Be Alert!

Know where to get assistance. Keep emergency numbers for doctors, ambulance service, hospital, and fire department near your telephone. Know how to use a first aid kit and fire extinguisher/fire suppression system; know their location and practice getting to them. Ensure they have been properly tested and maintained.

Let others know where you will be working, and what time you will be returning. In case of an emergency, you want others to know where to find you.

Be Aware!

Take advantage of training programs offered.

Know the proper response to a fire or chemical spill involving your pump.

Follow a Safety Program

Be Careful!

Human error is the result of many factors: carelessness, fatigue, sensory overload, preoccupation, unfamiliarity with the machine or attachments, or drugs and alcohol, to name a few. You can avoid death or serious injury caused by these and other unsafe work practices. Be careful; never assume accidents cannot happen to you.

For your safety and the safety of others, act safely and encourage your fellow workers to act safely as well.

Protect Yourself

Wear all the personal protective clothing and Personal Protective Equipment (PPE) issued to you or called for by job conditions.

You may need:

- Hard hat
- Safety shoes
- Safety glasses, goggles, or face shield
- Heavy duty gloves
- Hearing protection
- Reflective clothing
- Wet weather gear
- Respirator or filter mask



Wear whatever is needed to protect yourself—don't take chances.

⚠ WARNING! Avoid death or serious injury from entanglement. **Do not wear loose or frayed clothing or accessories that could catch on moving parts.** Examples of items to avoid include flopping cuffs, dangling neckties and scarves, wallets attached to chains, jewelry and wrist watches.

7

Follow a Safety Program

Know the Rules

Most job sites have rules governing equipment use and maintenance. Before you start work at a new location, check with the supervisor or safety coordinator. Ask about the rules you will be expected to obey.

OSHA enforces federal laws within the United States that apply to the safe operation, application, and maintenance of equipment on some job sites. It is the employer's responsibility to comply with these laws. A federal representative may periodically inspect a job site to see that these laws are being followed.

There may be other local, state/provincial, federal laws or international organizations that regulate the use of this equipment, along with specific job site or employer rules. It is important that you know and comply with all applicable laws and rules, **including those requiring operator training and certification.**

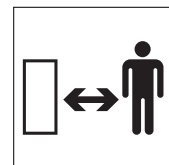
These are some of the rules you must work by:

- Only qualified and authorized individuals may operate this equipment
- Inspect your machine and attachments before each use as specified by the manufacturer and your employer

- Know the operating characteristics of your equipment. Do not misuse it
- Wear proper clothing and PPE. Check that others are also wearing appropriate clothing
- All shields, guards, air filters, access panels, and doors must be properly installed before each use
- Know the rules regarding traffic at your job site. Know what all signs, flags, and markings mean. Know hand, flag, horn, whistle, siren, or bell signals, if used
- Never modify or remove any part of the machine (except for service; then make sure the part is re-installed or replaced if defective or worn out)



Know and understand rules of operation



Keep bystanders away

Follow a Safety Program

- **Never allow children to play near, ride on or operate the equipment**
- Keep bystanders well clear of the operation
- Know the work area before you use the equipment. Be aware of possible hazards
- Only use attachments and parts that are approved by the manufacturer
- Follow all safe shutdown instructions (See page 23, **Shut Down Safely**)

Know the Equipment

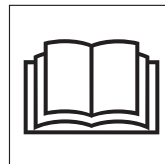
Read and understand the DANGER, WARNING, CAUTION, and NOTICE safety labels and other informational signs on the machine, the attachments, and in the manufacturer's operating manual(s). Ask your supervisor or dealer to explain any information you do not understand. Failure to obey safety instructions could result in death or serious injury.

Know the following about your equipment:

- Function, purpose, and use of all controls
- Correct operation speeds
- How to quickly stop equipment in an emergency
- Rated operating capacity

Keep in mind that rain, snow, ice, loose gravel, soft ground, slopes, and other site conditions can affect your machine's operating capabilities. Make sure you are thoroughly familiar with your machine's stability, and other handling characteristics under any conditions you are likely to encounter.

Pumps are used in a variety of applications, both indoor and outdoor. Develop a safety program that complies with requirements of your work site and follows the manufacturer's recommendations for safe equipment operation.



Read and understand manual(s) before operating

IMPORTANT: This manual covers safe practices for portable pumps. Do not pump volatile/flammable or caustic/corrosive liquids. If your pump is engine driven, do not operate in the presence of toxic, volatile or explosive gases.

Refer to the owner's manual or consult with the manufacturer for proper pump materials if you are to pump hazardous caustic/corrosive liquids.

9

Prepare for Safe Operation

Check and Use All Available Safety Devices

To protect you and others around you, your machine may be equipped with the safety equipment listed below. Additional equipment may be required or some items may not apply, depending on attachments used, job site conditions, or applicable job site rules. Check that each required item is securely in place and in operating condition:

- Hard Hat
- Safety Shoes
- Eye Protection
- Respirators
- Heavy Gloves
- Reflector Vests
- Hearing Protection
- Face Protection
- Back Supports
- Fire Extinguisher
- First Aid Kit
- Guards
- Grab Handles
- Special enclosures or accessories required for specific applications or job site conditions

- Safety Signs
- Beacons and/or alarms to indicate automatic starting

Use them! Never remove or disconnect any safety device.

Check the Machine

Before beginning your work day, inspect the machine and have all systems in good operational condition.



Inspect the machine before each work day

- Perform daily and periodic service procedures as instructed by the equipment manufacturer
- Check for broken, missing, loose, or damaged parts. Make necessary repairs
- Keep handholds clean and free of grease, oil, dirt, snow or ice
- Ensure shielding is properly installed and in good condition. Repair or replace if damaged or missing
- Ensure all tools or loose objects are removed or securely fastened while operating the machine

Prepare for Safe Operation

Use Caution When Fueling

⚠ WARNING! Avoid injury from fire or explosion. **Never fill the fuel tank with the engine running, while smoking or when near an open flame.**

Never overfill the tank or spill fuel. If fuel is spilled, clean it up immediately.

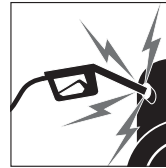
Be sure to use the correct type and grade of fuel.

Ground the fuel funnel or nozzle against the filler neck to prevent sparks that could ignite fuel vapors. Be sure to replace the fuel fill cap (if equipped) when you are done.

Ultra-Low Sulfur Diesel (ULSD) Fuel Hazard

Avoid Static Electricity Risk When Fueling

⚠ WARNING! Ultra-Low Sulfur Diesel (ULSD) poses a greater static ignition hazard than earlier diesel formulations. Avoid death or serious injury from fire or explosion; **consult with your fuel or fuel system supplier to ensure the delivery system is in compliance with fueling standards for proper grounding and bonding practices that are crucial when refueling any vehicle.**



Static discharge during fueling can cause explosion

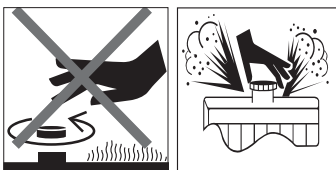
11

Prepare for Safe Operation

Check the Cooling System

When checking the cooling system, make sure the engine is turned off and is cool. Remove the key to prevent fans from unexpectedly starting. Ensure the coolers and engine compartment are clean and free from debris, which could ignite and cause a fire.

If the machine is air-cooled, be sure the cooling unit has an unobstructed air flow. If it is liquid-cooled, check coolant level (at overflow tank, if provided).



Allow radiator to cool before removing cap slowly

⚠ WARNING! Allow the radiator to cool before checking the level. Hot radiator fluids could escape as steam and burn you. (See page 29, **Engine Coolant Hazards.**)

Know the Working Area

Learn as much about your working area as possible.

Check at Ground or Floor Level

Inspect the surface over which you will travel. Look for holes, drop-offs, and obstacles. Look for rough spots or hidden obstacles on surfaces which could cause a collision or loss of control. Look for weak spots on docks, ramps, or floors. Look for oil spills, wet spots, and slippery surfaces. Look for soft soil, deep mud, or standing water. Watch for anything that might make you lose control or cause the machine to roll over.

Ensure that the pump is situated on a firm, flat surface to prevent it from falling down a slope, into a ditch or into the liquid. Also, ensure that you consider the possibility of rising water inundating the pump.

Prepare for Safe Operation

Loading & Transporting Pumps

⚠ WARNING! Before loading or unloading any type of pump, make sure to wear all necessary PPE such as steel toed boots, gloves, safety glasses and hard hat.



Wear necessary PPE
when loading and
unloading

Loading Hauling Pumps

Before unloading and loading hauling pumps, always refer to the manufacturer's operating manual for specific instructions.

When loading and unloading pumps, check for the following:

- Pump hauled on vehicles **MUST** be securely tied down with approved straps or chains
- When loading the pump, place unit as far forward on the truck bed as possible
- Before hauling the pump in an open-bed truck, walk around the vehicle to assure all fittings on the machine are not over-hanging the truck bed

- Any fitting that is not securely attached to the pump must be removed and secured separately before transport
- Do not lift, load, relocate or unload pumps when section or discharge hoses are attached

Loading Wheel Mounted Pumps

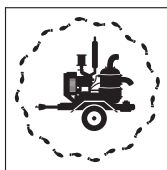
- Check your surroundings while pulling up to the pump with a lift truck
- Stop, lock the brake, turn off the lift, remove the seatbelt and get off the lift
- If applicable, use appropriate tools to loosen, lower, tighten or raise the support stands on trailer-mounted pumps
- Get on the lift truck, fasten the seatbelt, start the lift truck and disengage the parking brake
- Put the lift in forward and drive the forks under the pump being careful not to damage the pump, tires, support legs or anything nearby
- Carefully raise the forks and tilt the pump back slightly until it is approximately 4"-6" inches off the ground and carefully transport as needed
- Check the overall height to ensure compliance with DOT restrictions

13

Start Safely

Warn Personnel Before Starting

Before starting, walk completely around the machine. **Make sure no one is on it or close to it.** Let others know you are starting up and don't start until everyone is completely clear of the machine. As the equipment operator, you are responsible for the safe use of the machine, so always make sure you have communicated your work plans to others on the site.



Before starting,
walk completely
around pump

Check the pump thoroughly at delivery for any shipping damage.

Locate the pump in an accessible location, as close to the liquid as possible.

Secure the pump after it is placed in its intended operating position so it does not tip, roll, slide or fall.

Starting the Engine

⚠ WARNING! Never attempt to start the engine by shorting across starter terminals. Serious injury or death may result.

Know the exact starting procedure for your machine. See the manufacturer's operating manual(s) for starting.

- Familiarize yourself with warning devices, gauges and operating controls
- Make sure controls are in the neutral/locked position
- Clear the area of all persons
- Start the engine following the instructions in the manufacturer's operating manual(s)
- If necessary to run the engine or operate the machine in an enclosed area, ensure there is adequate ventilation

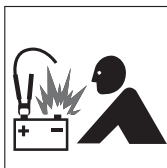
⚠ WARNING! Exhaust fumes can kill. **Do not breathe exhaust fumes!**

Start Safely

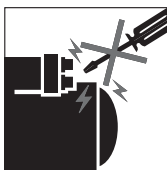
Starting Aids

If you have trouble starting the engine and need to use jumper cables, follow the instructions in manufacturer's operating manual(s). **Jump-starting is a two-person operation.** The operator must be in the operator's seat when jump-starting so the machine will be under control when the engine starts.

⚠ WARNING! Improper jump-starting procedures may cause serious injury or death from a battery explosion or a run-away machine. **Always use proper jump-starting procedure.** (See page 31, **Battery Hazards.**)



To avoid explosion, follow proper jump-starting procedures



Never start engine by shorting across starter terminals

Ether/cold start fluid is **HIGHLY FLAMMABLE**. Before using it, always read the instructions on the ether/cold start fluid container and the instructions in the manufacturer's operating manual(s).

⚠ WARNING! Avoid injury from explosion or fire. If the engine is equipped with a glow plug pre-heater or other intake manifold type pre-heater, follow manufacturer's instructions before using ether/cold start fluid.

After Starting Engine

Observe gauges, instruments, and warning lights to assure that they are functioning and their readings are within the operating range.

Run an Operating Check

Do not use a machine that is not in proper operating condition. It is your responsibility to check the condition of all systems and to run the check in a safe area.

15

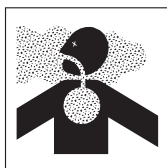
Operate Safely

Follow Safe Operating Practices

Exhaust Fumes in a Closed Space Can Kill

Vent exhaust and assure a flow of fresh air when an internal combustion engine is used in a closed space.

⚠ WARNING! Exhaust fumes from diesel, gasoline or LP gas engines can kill. **Do not breath exhaust fumes from any kind of engine.**



Ventilate work area

Operating in Flammable/Explosive Atmospheres

⚠ WARNING! A pump cannot be operated in flammable or explosive atmospheres. Use in explosive atmospheres can result in fires and/or explosions which could cause serious injury or death.

Use only an approved pump with a label designation of G, GS, D, DS, DY, LP, LPS, G/LP, or GS/LPS. See Code of Federal Regulations (OSHA) 29 CFR Part 1910.178 to determine permissible areas where these machines can be operated.



Do not operate in explosive/flammable atmosphere

Operate Safely

Pumps in General

Safe Working Procedures

USE COMMON SENSE! Most accidents can be avoided by using common sense and concentrating on the job to be done.

Only Experienced and Qualified Personnel should install and operate pump equipment.

KNOW THE PROPER starting procedure for your equipment. Follow the manufacturer's operation manual(s) ... to the letter.

DO NOT operate a pump without all guards and shields in place. (If OSHA required guards are damaged or misplaced, contact the manufacturer for a replacement.)

When **lifting pump** use only lifting equipment in good repair and with adequate capacity. Follow manufacturer's lifting recommendation.

Check all lubricant levels before pump installation in accordance with manufacturer's maintenance programs.

Keep hands and feet clear of moving parts. **DO NOT** stick fingers into a pump when in operation. Check suction strainer and hose regularly for proper submergence and to be sure it is free of obstructions.

NEVER operate a self-priming pump unless the volute is filled with liquid. The pump will not prime when dry.

PUMP only liquids for which the pump has been designed to handle. Verify the hoses and piping have the correct pressure rating for the application.

DO NOT pump flammable, corrosive, hazardous, volatile or caustic materials unless the pump and piping are explicitly designed for that purpose.

NOTE the direction of rotation — operation of a pump in the wrong direction can cause the impeller to unscrew and damage the volute case.

A pump should not be operated against a closed valve or other no flow conditions. Refer to the pump manufacturer's recommended practice for start-up, operation and shut-down procedures. **DO NOT** close down or restrict a discharge hose. **Be careful** of discharge hose whipping under pressure.

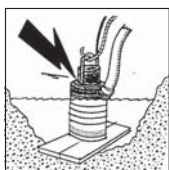
17

Operate Safely

MAKE CERTAIN that whatever is to be connected to the pump is not subjected to pressures greater than those given in the manufacturer's instructions.

MAKE CERTAIN all connections are securely made and hoses under pressure are secured, with appropriate safety devices, to prevent whipping.

BE AWARE OF LIGHTNING. Stay clear of the pumping equipment during electrical storms. It can attract lightning.



Stay clear of pump during electrical storms

Not for use with potable water unless otherwise stated by the manufacturer.

Overheating Precautions

Overheated pumps can cause severe damage to the equipment and can cause severe physical burns and injury.

Operating a pump with the suction and/or discharge valve closed is a principal cause of overheating. Approach cautiously any pump that has been in operation.

DO NOT remove hoses from a pump until the system is properly cooled to ambient temperature.

DO NOT remove the cover plate or drain plugs from any overheated pump. Allow the pump to cool. Check pump temperature before opening fill port or drain plug.

If overheating of the pump casing occurs:

- STOP the pump immediately
- Allow the Equipment to cool completely
- Slowly and cautiously vent the pump
- Refer to the manufacturer's instruction manual before restarting the unit
- Remove hoses carefully. Heated water can be in hoses and static head produces pressure

Operate Safely

Before Starting

Check the pump thoroughly at delivery for any shipping damage.

Locate the pump in an accessible location, as close to the liquid as possible.

Secure the pump after it is placed in its intended operating position so it does not tip, roll, slide or fall.

Immediately On Starting the Pump

Observe gauges, instruments and warning lights to ensure that they are functioning and their readings are within the normal operating range.

- Be sure the immediate work area is safe for operation
- Operate controls; make certain all operate properly and “feel” right. Accustom yourself to the “feel” of the equipment
- Listen for any unusual noises, smell for any unusual odors; look for any signs of trouble

- Be sure to open all manual valves slowly to prevent WATER HAMMER
- Check all warning and safety devices and indicators
- If safety-related defects or malfunctions are detected, SHUT DOWN the equipment. Correct the problem, or notify your supervisor. DO NOT OPERATE EQUIPMENT WITH DEFECTS OR MALFUNCTIONS UNTIL CORRECTED
- If an unsafe condition cannot be remedied immediately, notify your supervisor and tagout/lockout the pump on the start switch and/or appropriate, prominent location



Use a “DO NOT OPERATE” tag

19

Operate Safely

Engine Driven Pumps

Do not jump start engine battery.

When operating internal combustion engines in an enclosed area, always make provisions to pipe exhaust fumes to the outside.

Exhaust Fumes Can Kill: do not operate engine driven pump equipment in a confined or enclosed space without adequate ventilation.

Exhaust gases are odorless and deadly poison.

DO NOT TOUCH: Exhaust system components get hot and stay hot after shutting the engine off.

Follow engine manufacturer’s instructions explicitly on hand cranking.

Do not shut down high head pumps quickly:

- A) Throttle back slowly
- B) Open by-pass line
- C) Should have a check valve
- D) Slowly close gate valve on discharge if so equipped

Check for fuel, oil and hydraulic fluid leaks, worn and damaged hoses/lines or power cables.

Refueling

When refueling, the following precautions must be followed:

- Maintain separate fuel tanks for diesel and gasoline. Keep tanks clean and free of debris
- Add fuel of proper type and grade, only when the pump is not running and engine is cool
- Fuel in well ventilated area
- Turn off all electrical switches
- Keep lighted smoking materials, flames or spark producing devices at a safe distance while refueling
- Keep fuel nozzle in contact with tank being filled, or provide a ground to prevent static sparks from igniting fuel
- **Do not spill fuel on hot surfaces**
- Clean up spillage immediately
- Do not start engine until fuel cap is secured to the fuel tank
- **Always** make sure that fuel is being put in the fuel tank, motor oil in the proper location and hydraulic oil into hydraulic oil reservoirs

Operate Safely

Electric Motor Driven Pumps

Allow only qualified personnel to **INSTALL, WIRE and OPERATE** electric motor driven pumps. Whenever electricity is present there is the possibility of **electrocution**.

NEVER use a pump/motor in an explosive atmosphere if it is not exclusively designed for the application.

Always ground electrical units.

Make certain to connect pump motor to the right phase and voltage.

Do not run pump if voltage is not within limits.

Make sure motor rotation is in accordance with impeller rotation (which should be indicated somewhere on the pump — check the manufacturer's manual).

Make all electrical installations in accordance with National Electric Code, State and Local electrical codes.

Never use gas piping as an electrical ground.

Make sure the related electrical circuits are dead and locked out before performing any maintenance.

Follow motor manufacturer's recommended maintenance and operation instructions.

If circuit breaker or fuse is tripped, examine the system for the problem before restarting pump.

NEVER use the power cord to aid lifting the pump.

NEVER operate a pump with a plug-in type power cord without a ground fault circuit interrupter.

NEVER use cords with frayed, cut or brittle insulation. Check the cord on the pump for nicks in the insulation and for sound connections to the ground fault interrupter plug and motor.

NEVER let extension cords or the plug connections lay in water. Locate the pump so that the cord cannot fall into any water or be submerged by rising water, unless the pump is designed for such use.

NEVER handle energized power cords with wet hands.

MOTOR OVERLOAD: do not exceed the manufacturer's recommendation for maximum lift or discharge head. See manufacturer's published curve for proper sizing of motors. A misapplied motor can overheat.

21

Operate Safely

Submersibles

Allow only qualified personnel to **INSTALL, WIRE and OPERATE** submersible pumps.

Whenever electricity is present there is the possibility of **electrocution**.

NEVER use a pump/motor in an explosive atmosphere, if it is not exclusively designed for that application.

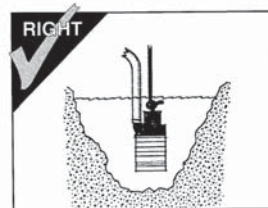
ALWAYS ground the pump.

Make certain to connect the pump to the right phase and voltage.

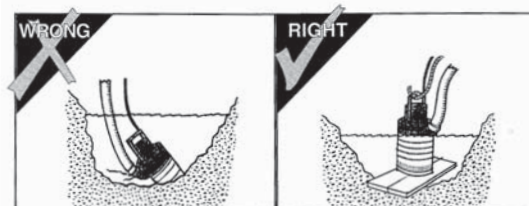
DO NOT run the pump if voltage is not within limits. **Make all electrical installations** in accordance with National Electric Code, State and Local electrical codes.

Mount electrical control box in a vertical position, protected from the elements.

NEVER use the power cord or hydraulic hoses to lift or lower submersibles. Attach a lifting cable to the manufacturer's recommended attachment point on the pump for lowering and lifting the pump.



NEVER position the pump directly on a soft, loose bottom. To attain maximum capacity and prevent excessive wear, position the pump so it will not burrow itself into sand or clay. Stand the pump on a plank, a bed of coarse gravel, within a perforated container, on a suitable floatation device, or retain it hanging freely by a lifting cable.



22

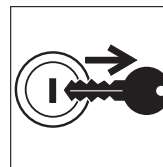
Shut Down Safely

⚠ WARNING! Avoid death or serious injury. **Never leave a machine unattended with the engine running.**

Safe Shutdown

The detailed shutdown procedure is given in your manufacturer's manual(s). In general, this includes:

- Stop machine
- Position controls in neutral or locked position
- Idle engine for short cool-down period
- Stop engine and remove ignition key (if equipped)
- Cycle hydraulic controls to eliminate pressure
- Lock covers and enclosures
- Shut off master electric switch (if equipped)



**Shut engine off,
remove key**

23

Perform Maintenance Safely

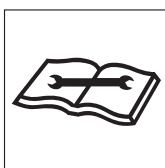
Know What You're Doing

Maintenance on this type of machine is not for inexperienced or untrained personnel. It can be hazardous unless performed properly. Be sure you have the necessary skill, information, correct tools, and proper equipment to do the job safely.

Be sure to maintain the equipment according to the manufacturer's instructions. Regularly check the operation of the protective and safety devices.

Do not perform any work on a machine unless you are authorized and qualified to do so.

If you have been authorized to perform maintenance, **read the manufacturer's operating and service manual(s)**. Study the instructions: check the lubrication charts, examine all the instruction messages on the machine.



Maintain equipment

Protect Yourself

Wear all the personal protective clothing and PPE issued to you or called for by job conditions.

You may need:

- Hard hat
- Safety shoes
- Safety glasses, goggles or face shield
- Heavy duty gloves
- Hearing protection
- Reflective clothing
- Wet weather gear
- Respirator or filter mask

Wear whatever is needed to protect yourself. Do not take chances.

24

Perform Maintenance Safely

⚠ WARNING! Avoid death or serious injury from entanglement. **Do not wear loose clothing or accessories. Stay away from all rotating components when the engine is running.** Contact, wrapping or entanglement with rotating or moving parts could result in death or serious injury.

Wear a rubber apron and rubber gloves when working with corrosives. Wear gloves and safety shoes when handling wooden blocks or sharp-edged metal.

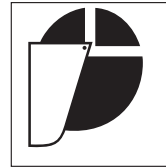
Always use safety glasses, goggles or a face shield. They provide eye protection from fluids under pressure, during grinding and while servicing batteries. Protection is also needed from flying debris, liquids and loose material produced by equipment, tools and pressurized air/water.

Wear a face shield and follow manufacturer's instructions when you disassemble spring-loaded components or work with battery acids. Keep pockets free of all objects that could fall out and drop into machinery.

Handle tools and heavy parts sensibly, with regard for the safety of yourself and others. Lower items; don't drop them.



Avoid rotating parts



Wear eye protection



**Do not
loosen
radiator cap
until cool**

25

Perform Maintenance Safely

Prepare the Work Area

- Position the machine in a level area out of the way of other working equipment
- Make sure there is adequate light, ventilation and clearance
- Remove oil, grease or water to eliminate any slippery surfaces
- Clean around the area to be serviced to minimize contamination

Prepare the Machine

Stored energy sources (electrical, mechanical, hydraulic, pneumatic, chemical, thermal, etc.) must be controlled or reduced to a practical minimum before performing any maintenance, repair, or service procedures.

Safety practices to prevent potential injuries from energy-releasing sources include:

- Place controls in NEUTRAL or LOCKED position before shutting off engine
- Allow all moving parts to stop
- Shut off engine
- Relieve hydraulic system pressure by moving controls several times in all directions

- Lock ignition, remove key (if equipped) and take it with you
- Look and listen for evidence of moving parts before servicing
- Shut off master electrical switch (if equipped)
- Securely support or block up machine before working underneath machine or other lifted components
- Securely support, block up, or lock up other components with approved locking devices before working near or underneath them
- Relieve pressure before disconnecting or disassembling any pressurized system
- Block or relieve spring pressure before disassembling any spring-loaded mechanism
- Avoid flames, sparks, or smoking near any fuel, hydraulic fluid or other flammable material such as spraying debris



**Avoid falls, clean
slippery surfaces**

Perform Maintenance Safely

Attach a “DO NOT OPERATE” warning tag to the control levers. Lock out the unit according to the manufacturer’s operating manual. If there is a key, remove it and take it with you.

Install approved support device(s) when working under or near raised equipment.

Remove only guards or covers that provide access to the area being serviced. Replace all guards and covers when work is complete.

⚠ WARNING! Avoid injury or death. **Never work on machinery with the engine running unless instructed by the manufacturer’s manual(s) for specific service.**

Pump Maintenance and Repair

MAKE SURE the pump is disconnected from the power source or the appropriate circuits are dead and OSHA Lockout/Tagout is applied before doing any maintenance or repair work on the pump.

Pumps with float switches or other automatic devices can start without warning if not properly locked out.

ALWAYS replace safety devices removed during the service or repair before returning pump to operation.

NEVER use the power cord to aid in lifting the pump.

Sizing Extension Cords

Use the following chart to select the correct size extension cord to prevent excessive amperage draw or voltage drop which would cause the motor to overheat.

Cables that are too long or coiled can cause a voltage drop. **Be aware** that strong sunlight can cause a voltage drop.

Amperes	Wire Gauge and Cord Length (in feet)		
	50	100	150
6	16	16	14
8	16	14	12
10	16	14	12
12	14	14	12
14	14	12	10
16	12	12	10

Check oil level ONLY when pump is cool.

USE ONLY recommended oil per manufacturer’s recommendation.

INSPECT ELECTRICAL WIRING for worn or damaged insulation. **INSTALL** new wiring if wires are damaged.

After repairs are made, clean the equipment before putting the pump back into position.

27

Perform Maintenance Safely

Common Maintenance Safety Practices

Use Proper Ventilation

If it is necessary to run an engine in an enclosed area, remove the exhaust fumes from the area with an exhaust pipe extension.



Ventilate work area

If you do not have an exhaust pipe extension, make sure you open doors and windows to get plenty of outside air into the area.

⚠ WARNING! Exhaust fumes contain carbon monoxide which could be deadly if inhaled. **Never operate any type of engine without proper ventilation. EXHAUST FUMES CAN KILL.**



No smoking and no open flames

Fuel Hazards

⚠ WARNING! Avoid serious injury or death. **Always use approved fuel containers and/or fuel dispensing equipment to reduce the risk of explosion or fire.**

Always observe these practices to reduce the possibility of a serious accident:

- Shut off engine and ignition during refueling
- Turn off all electrical switches
- Ground the fuel nozzle against the filler neck
- Keep sparks and open flames away from fuel. Do not smoke while refueling or when handling fuel containers
- Do not cut or weld on or near fuel lines, tanks or containers
- Do not overfill the tank or spill fuel. Clean up spilled fuel immediately. Clean spills immediately

Perform Maintenance Safely

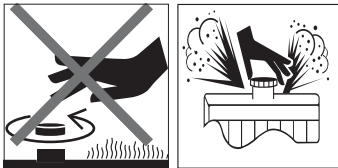
Ultra-Low Sulfur Diesel (ULSD) Hazard

⚠ WARNING! Ultra-Low Sulfur Diesel (ULSD) poses a greater static ignition hazard than earlier diesel formulations with higher sulfur content. Avoid death or serious injury from fire or explosion; **consult with your fuel or fuel system supplier to ensure the delivery system is in compliance with fueling standards for proper grounding and bonding practices.**

Engine Coolant Hazards

⚠ WARNING! Avoid serious injury or death. Liquid cooling systems build up pressure as the engine gets hot, so **use extreme caution before removing the radiator cap.**

- Stop the engine and wait for the system to cool
- Wear protective clothing and safety glasses
- Turn the radiator cap slowly to the first stop to allow the pressure to escape before removing completely



Allow radiator to cool before removing cap slowly

Hydraulic System Hazards

Be sure to follow manufacturer's instructions for relieving fluid pressure before performing any maintenance. The hydraulic system is pressurized whenever the engine is on and may hold pressure even after the engine is shut off. Cycle hydraulic controls, including auxiliary hydraulic control (if equipped), after the engine is shut off.



Check for leaks and inspect hoses

During inspection of the hydraulic system:

- Wait for fluid to cool before disconnecting the lines
Hot hydraulic fluid can cause **severe burns**
- Wear appropriate eye protection. Hydraulic fluid can cause permanent eye injury
- When venting or filling the hydraulic system, loosen the filler cap slowly and remove it gradually
- **Never** reset any relief valve in the hydraulic system to a pressure higher than recommended by the manufacturer

29

Perform Maintenance Safely

Hydraulic Fluid Injection Hazard

⚠ WARNING! Accidental injection of high-pressure fluid into the hands or body is dangerous and could result in death or serious injury. **Use caution when checking hydraulic leaks as pressurized hydraulic fluid has enough force to penetrate skin, causing serious personal injury.**

If a leak is discovered:

- Ensure engine is turned off; relieve pressure in hydraulic circuit
- Wear proper hand and eye protection
- Visually examine the hydraulic hoses or fluid lines in the vicinity of the leak for breaks or cracks. **Do not** use your hand to check for leaks
- Repair or replace hydraulic lines according to the manufacturer's recommendations

Fluid injection injuries are not always obvious. Victims have reported such injuries feel like a bee sting or splinter under the skin. If you suspect you have a fluid injection injury, do not take chances. Seek proper medical care immediately. If any fluid is injected into the skin, it must be surgically removed within a few hours by a doctor familiar with this type of injury.



Wear eye protection



High pressure fluid can inject into the body

Perform Maintenance Safely

Battery Hazards

The liquid in batteries contains acid, which is a POISON and could cause SEVERE CHEMICAL BURNS.

Avoid injury:

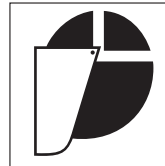
- Wear a face shield to prevent contact with your eyes
- Wear chemical-resistant gloves and clothing to keep electrolyte off your skin and regular clothing

⚠ WARNING! Electrolyte will damage eyes or skin on contact. **Always wear a face shield to avoid electrolyte in eyes.**

If liquid from the battery contacts your eyes, flush immediately with clean water and get medical attention. Wear chemical-resistant gloves and protective clothing to keep liquid off your skin. If liquid contacts exposed skin or clothing, wash off immediately with clean water. If liquid is ingested, drink large quantities of water or milk. DO NOT induce vomiting. Seek medical attention immediately.



Wear hand protection



Wear face protection

31

Perform Maintenance Safely

Avoid Explosion

⚠ WARNING! Avoid serious injury from explosion. Lead-acid batteries produce extremely explosive gases especially when being charged. **Keep arcs, sparks, flames and lighted tobacco away.**

- Do not smoke near batteries
- Keep them away from arcs, sparks and open flames
- Provide adequate ventilation

Never check the battery by placing a metal object across the battery posts. The resulting spark could cause an explosion.

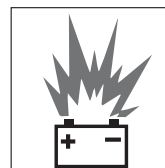
⚠ WARNING! Avoid serious injury from battery explosion. **Do not charge a battery or jump-start the engine if the battery is frozen.**

Warm to 60°F (15.5°C) or the battery may explode and could cause serious injury.

Safety rules during battery jump-starting:

- Follow the instructions for proper battery jump-starting, as specified in the manufacturer's manual
- Be sure the machines are not touching
- Observe the polarity of the batteries and connections

- Make the final cable connection to the engine or the furthest ground point away from the battery. Never make the final connection at the starter or dead battery. Sparks may ignite the explosive gases present at the battery
- When disconnecting cables, remove the cables in reverse order of connection (e.g., final connection first)



Avoid sparks and open flames near batteries



When jump-starting, observe polarity and make final connection at ground point

Perform Maintenance Safely

Complete Service and Repairs Before Machine is Released

Tighten all bolts, fittings, and connections to torques specified by the manufacturer.

Are there any missing cotter pins, washers, locknuts, etc.? Are there any parts left over?



High pressure fluid
can inject into
the body

Start the engine and check for leaks. (See page 29, **Hydraulic System Hazards**.) Operate all controls to make sure the machine is functioning properly. Test the machine if necessary. After testing, shut down and check the work you performed.

Recheck all fluid levels before releasing the equipment for operation.

All parts should be inspected during repair and replaced if worn, cracked or damaged. Excessively worn or damaged parts could fail and cause injury or death.

Install all guards, covers, and shields after servicing. Refill and recharge pressure systems only with manufacturer-approved or recommended fluids.



Verify service work
when completed



The information in this safety manual is the consensus of the Contractors Pump Bureau.

Final Word to the User

You have just finished reading the AEM Portable Pumps Safety Manual. It is impossible for this manual to cover every safety situation that you may encounter on a daily basis. Your knowledge of these safety precautions and your application to the basic rules of safety will help to build good judgment in all situations. Our objective is to help you develop, establish, and maintain good safety habits to make operating a portable pump easier and safer for you.

Many pictorials in this safety manual can be downloaded at <http://pictorials.aem.org>.

For additional publications, visit our website at www.safetymaterials.org.

35



ASSOCIATION OF
EQUIPMENT MANUFACTURERS

e-mail safetymaterials@aem.org
www.aem.org

This manual is one in a series on the safe operation of machinery, published by AEM.



To order AEM safety materials
visit www.safetymaterials.org.



Important: For spare parts information, please see your Wacker Neuson Dealer, or visit the Wacker Neuson website at <http://www.wackerneuson.com/>.

Wichtig! Informationen über Ersatzteile erhalten Sie von Ihrem Wacker Neuson Händler oder besuchen Sie die Wacker Neuson Website unter <http://www.wackerneuson.com/>.

Important : Pour des informations sur les pièces détachées, merci de consulter votre distributeur Wacker Neuson, ou de visiter le site Internet de Wacker Neuson sur <http://www.wackerneuson.com/>.

Importante : Para saber más sobre las piezas de repuesto, póngase en contacto con su distribuidor de Wacker Neuson o acceda al sitio web de Wacker Neuson en <http://www.wackerneuson.com/>.

Importante : Per informazioni sui pezzi di ricambio, contattare il rivenditore Wacker Neuson o visitare il sito di Wacker Neuson all'indirizzo www.wackerneuson.com.

Viktigt : För information om reservdelar, kontakta din Wacker Neuson-leverantör eller besök Wacker Neusons webbplats på <http://www.wackerneuson.com/>.

Tärkeää : Pyydä varaosatietoja Wacker Neusonin jälleenmyyjältä tai vieraile Wacker Neusonin web-sivustolla osoitteessa <http://www.wackerneuson.com/>

Viktig : For informasjon om reservedeler, vennligst kontakt din Wacker Neuson-forhandler, eller besøk Wacker Neusons nettside på <http://www.wackerneuson.com/>.

Viktigt : Hvis du ønsker oplysninger om reservedele, bedes du kontakte din Wacker Neuson forhandler eller besøg Wacker Neuson websiden på <http://www.wackerneuson.com/>.

Belangrijk! Neem contact op met uw Wacker Neuson dealer of bezoek de website van Wacker Neuson op <http://www.wackerneuson.com/> voor meer informatie over reserveonderdelen.

Importante : Para obter informações sobre as peças sobresselentes, consulte o seu fornecedor da Wacker Neuson ou acesse ao site Web da Wacker Neuson em http://www.wackerneuson.com

Ważne : W celu uzyskania informacji na temat części zamiennych skontaktuj się z przedstawicielem firmy Wacker Neuson lub skorzystaj z witryny internetowej <http://www.wackerneuson.com/>.

Důležité upozornění! Pro informace o náhradních dílech, prosím, kontaktujte svého Wacker Neuson dealera, nebo navštivte webové stránky <http://www.wackerneuson.com/>.

FONTOS: A pótalkatrészekre vonatkozó információkért kérjük, forduljon Wacker Neuson kereskedőjéhez vagy látogasson el a Wacker Neuson weboldalára a következő címen: <http://www.wackerneuson.com/>.

Важно! Для ознакомления с информацией о запасных частях, пожалуйста, обратитесь к местному торговому представителю компании Wacker Neuson или посетите веб-сайт <http://www.wackerneuson.com/>.

Σημαντικό : Για πληροφορίες σχετικά με τα ανταλλακτικά, μιλήστε με τον αντιπρόσωπό σας της Wacker Neuson, ή επισκεφθείτε τον ιστότοπο <http://www.wackerneuson.com/>.

Važno : Za rezervne dijelove obratite se svom Wacker Neuson prodavaču ili posjetite mrežne stranice tvrtke Wacker Neuson: <http://www.wackerneuson.com/>.

Önemli : Yedek parça bilgileri için Wacker Neuson Bayinize bakın veya Wacker Neuson web sitesini ziyaret edin. <http://www.wackerneuson.com/>

重要 交換部品の情報については、ワッカーノイソンディーラーにお問い合わせ頂くか、ワッカーノイソンウェブサイト <http://www.wackerneuson.com/> をご覧ください。

重要 有关备件信息，请咨询您的威克诺森经销商或访问威克诺森网站：
<http://www.wackerneuson.com/>。

Important : Pentru informații referitoare la piesele de schimb, vă rugăm să vă adresați distribuitorului Wacker Neuson sau să vizitați site-ul web Wacker Neuson la adresa <http://www.wackerneuson.com/>.

Важно : За информация относно резервни части, моля, обърнете се към местния дилър на Wacker Neuson или посетете уебсайта на Wacker Neuson на адрес <http://www.wackerneuson.com/>.

Wacker Neuson Produktion GmbH & Co. KG, Preußenstraße 41, D-80809 München,

Tel.: +49-(0)89-3 54 02-0 Fax: +49 - (0)89-3 54 02-390

Wacker Neuson Production Americas LLC, N92W15000 Anthony Ave., Menomonee Falls, WI. 53051

Tel.: (262) 255-0500 Fax: (262) 255-0550 Tel.: (800) 770-0957

Wacker Neuson Limited - Room 1701-03 & 1717-20, 17/F, Tower 1, Grand Century Place, 193 Prince Edward Road West, Mongkok, Kowloon, Hongkong. Tel: (852) 3605 5360, Fax: (852) 2758 0032

