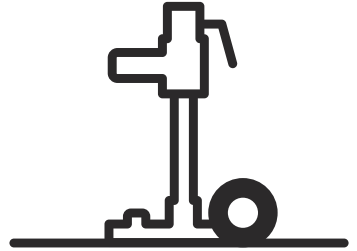




Husqvarna®



DS900

EN	Operator's manual	2-13
ES-MX	Manual del usuario	14-26
FR-CA	Manuel d'utilisation	27-39

Contents

Introduction.....	2	Maintenance.....	10
Safety.....	4	Transportation and storage.....	12
Assembly.....	6	Technical data.....	13
Installation.....	8	Service.....	13
Operation.....	9		

Introduction

Product description

The product is a drill stand for Husqvarna drill motors.

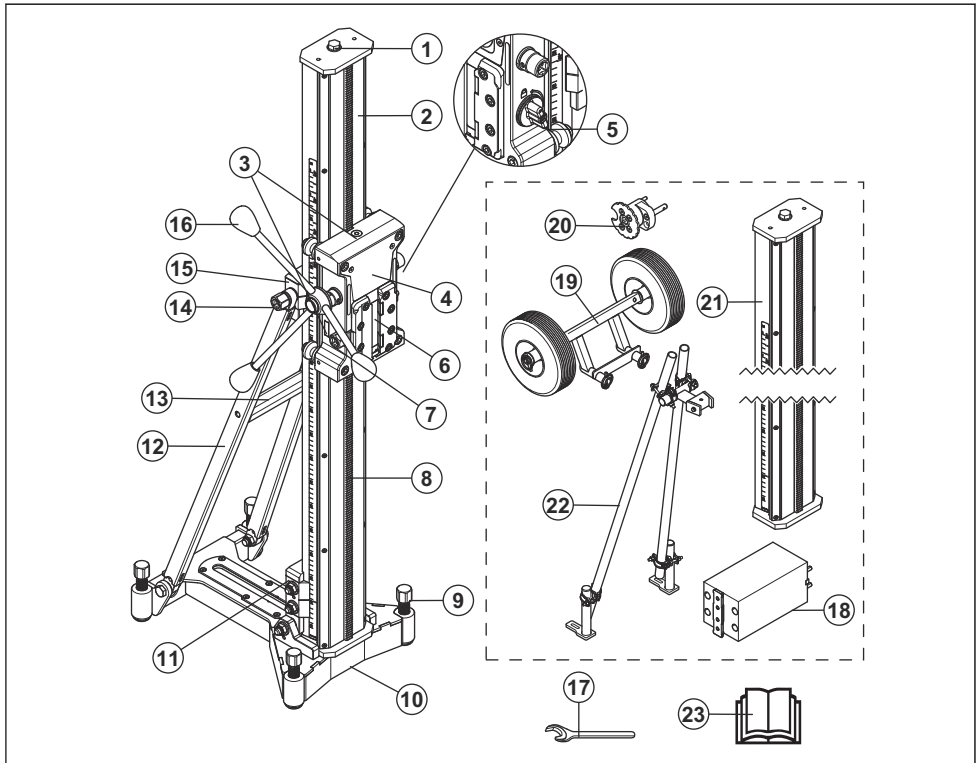
- The product can be used with drill bits with a maximum diameter of 900 mm.
- The drill column can be tilted 0–60°.
- The product has a quick mounting plate for the drill motor.
- It is possible to use a 2 m long drill column (accessory).

Intended use

This product is used together with a Husqvarna drill motor to drill in ceilings, walls and floors. The product is used on concrete, brick and different stone materials. All other use is incorrect.

The product is used in industrial operations by operators with experience.

Product overview



1. Jack screw
2. Drill column
3. Level indicator
4. Drill motor carriage
5. Carriage lock
6. Lock clamp for the quick mounting plate
7. Lock screw for the lock clamp
8. Gear rack
9. Level adjustment screws
10. Bottom plate
11. Lock clamp for the bottom plate and the drill column
12. Support
13. Handle for transportation
14. Lock screw for drill column tilt
15. Lock clamp for the support and the drill column
16. Feed lever
17. Wrench, 24 mm
18. Adapter, quick spacer (accessory)
19. Transport wheels (accessory)
20. AD bracket (accessory)
21. Drill column, 2 m (accessory)

22. Support for 2 m drill column (accessory)
23. Operator's manual

Symbols on the product



WARNING: This product can be dangerous and cause serious injury or death to the operator or others. Be careful and use the product correctly.



Read the operator's manual carefully and make sure that you understand the instructions before you use the product.



Use approved hearing protection.

Note: Other symbols/decals on the product refer to special certification requirements for some markets.

Product liability

As referred to in the product liability laws, we are not liable for damages that our product causes if:

- the product is incorrectly repaired.
- the product is repaired with parts that are not from the manufacturer or not approved by the manufacturer.

- the product has an accessory that is not from the manufacturer or not approved by the manufacturer.
- the product is not repaired at an approved service center or by an approved authority.

Safety

Safety definitions

Warnings, cautions and notes are used to point out specially important parts of the manual.



WARNING: Used if there is a risk of injury or death for the operator or bystanders if the instructions in the manual are not obeyed.



CAUTION: Used if there is a risk of damage to the product, other materials or the adjacent area if the instructions in the manual are not obeyed.

Note: Used to give more information that is necessary in a given situation.

Always use common sense



WARNING: Under no circumstances should you modify the original design of the machine without approval from the manufacturer. Always use original spare parts. Unauthorized modifications and/or accessories may lead to serious injury or death to the user or others.

It is not possible to cover every conceivable situation you can face when using a drilling machine. Always exercise care and use your common sense. Avoid all situations which you consider to be beyond your capability. If you still feel uncertain about operating procedures after reading these instructions, you should consult an expert before continuing.

Do not hesitate to contact your dealer if you have any more questions about the use of the machine. We will willingly be of service and provide you with advice as well as help you to use your machine both efficiently and safely.

Let your Husqvarna dealer check the drilling machine regularly and make essential adjustments and repairs.

All information and all data in the operator's manual were applicable at the time the operator's manual was sent to print.

General safety instructions



WARNING: Read the warning instructions that follow before you use the product.

- This product is a dangerous tool if you are not careful or if you use the product incorrectly. This product can cause serious injury or death to the operator or others. Before you use the product, you must read and understand the contents of this operator's manual.
- Save all warnings and instructions.
- Comply with all applicable laws and regulations.
- The operator and the employer of the operator must know and prevent the risks during operation of the product.
- Do not let a person operate the product unless they read and understand the contents of the operator's manual.
- Do not operate the product unless you receive training before use. Make sure that all operators receive training.
- Do not let a child operate the product.
- Only let approved persons operate the product.
- The operator is responsible for accidents that occur to other persons or their property.
- Do not use the product if you are tired, ill, or under the influence of alcohol, drugs or medicine.
- Always be careful and use your common sense.
- Keep the product clean. Make sure that you can clearly read signs and decals.
- Do not use the product if it is defective.
- Do not do modifications to this product.
- Do not operate the product if it is possible that other persons have done modifications to the product.

Safety instructions for operation



WARNING: Read the warning instructions that follow before you use the product.

- Use personal protective equipment. Refer to *Personal protective equipment on page 5.*

- Make sure that only approved persons are in the work area.
- Keep the work area clean and bright.
- Make sure that you are in a safe and stable position during operation.
- Do not use the product in bad weather conditions, such as thick fog, heavy rain, strong wind or intense cold. To do work in bad weather makes you tired and can cause dangerous conditions, for example slippery surfaces.
- Always examine the rear side of the surface where the drill bit will go through the surface. Make the work area safe. Cordon off the work area. Make sure that no injury or damage can occur.
- Make sure that no material can become loose and cause injury to the operator.
- Do not operate the product unless you can get aid if an accident occurs.
- Sudden appearance of persons and animals can prevent safe operation of the product. Always operate the product carefully.
- Make sure that clothes, long hair and jewelry do not get caught in moving parts.

General working stand safety warnings



WARNING: Read all safety warnings and all instructions. Failure to follow the warnings and instructions may result in electric shock, fire and/or serious injury.

- **Disconnect the plug from the power source and/or the battery pack from the power tool before making any adjustments, changing accessories.** Accidental starting of the power tool is a cause of some accidents.
- **Properly assemble the working stand before mounting the tool.** Proper assembly is important to prevent risk of collapse.
- **Securely fasten the power tool to the working stand before use.** Power tool shifting on the working stand can cause loss of control.
- **Place the working stand on a solid, flat and level surface.** When the working stand can shift or rock, the power tool or workpiece cannot be steadily and safely controlled.
- **Do not overload the working stand or use as ladder scaffolding.** Overloading or standing on the working stand causes the stand to be "top-heavy" and likely to tip over.

Personal protective equipment



WARNING: Read the warning instructions that follow before you use the product.

- Always use correct personal protective equipment when you operate the product. The personal protective equipment does not erase the risk of

injury. The personal protective equipment decreases the grade of injury if an accident occurs. Let your dealer help you select the right equipment.

- Use approved eye protection while you operate the product.
- Do not use loose, heavy and not applicable clothing. Use clothes that let you move freely.
- Use approved protective gloves that enables a solid hold.
- Use rubber protective gloves that prevents skin irritation from wet concrete.
- Use an approved protective helmet.
- Always use approved hearing protection while you operate the product. Noise for a long period can cause noise-induced hearing loss.
- The product makes dust and fumes that contain dangerous chemicals. Use an approved breathing protection.
- Use boots with steel toe-caps and non-slip soles.
- Make sure that you have a first aid kit near.
- Sparks can occur when you operate the product. Make sure that you have a fire extinguisher near.

Safety devices on the product

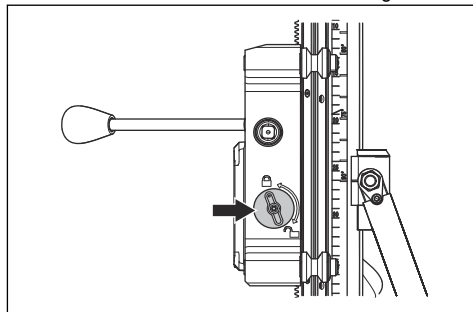


WARNING: Read the warning instructions that follow before you use the product.

- Do not use a product with defective safety devices.
- Do a check of the safety devices regularly. If the safety devices are defective, speak to your Husqvarna service agent.

To do a check of the carriage lock

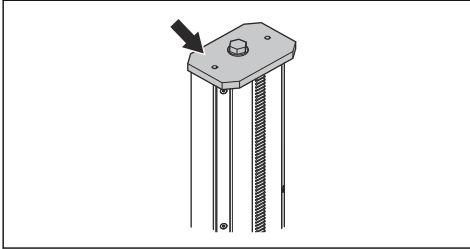
1. Turn the knob to lock the drill motor carriage.



2. Feel by hand that the drill motor carriage is locked to the drill column.

To do a check of the end stop of the drill column

1. Make sure that the end stop is installed correctly at the top of the drill column.



2. Make sure that the drill motor carriage stops when it touches the stop plate.

Safety instructions for maintenance



WARNING: Read the warning instructions that follow before you use the product. Save all warnings and instructions for future operations.

- Stop the drill motor, disconnect the power supply and remove the drill motor before maintenance of the product.
- Keep all parts in good condition and make sure that all fixtures are correctly tightened.
- Do not use a product that is defective. Do the safety checks, maintenance and the servicing as given in this manual. All other maintenance work must be done by an approved servicing dealer.
- Do the maintenance to make sure that the product operates correctly. Refer to *Daily maintenance on page 10*.

Assembly

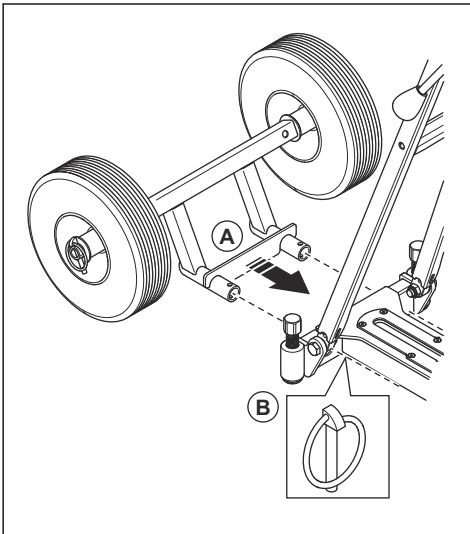
Introduction



WARNING: Read and understand the safety chapter before you assemble the product.

To install the wheel kit (accessory)

1. Put the bracket (A) in the holes in the bottom plate.



2. Attach the wheel kit with the clips (B).

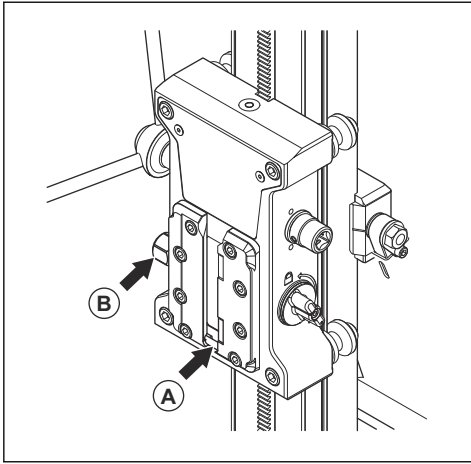
To attach the drill motor



WARNING: Disconnect the drill motor from the power supply.

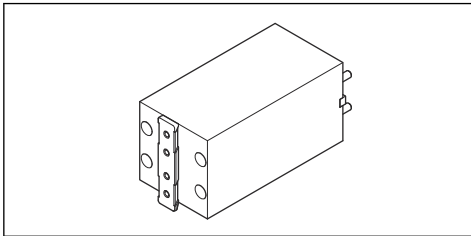
1. Remove the drill bit from the drill motor.
2. Lock the carriage lock.
3. Attach the drill motor in the lock clamp on the drill motor carriage.
4. Push the drill motor fully down to the bottom of the lock clamp (A).

5. Tighten the lock clamp with the lock screw (B).



To install a spacer (accessory)

A spacer is necessary to use when the drill bit has a large diameter. There are different types of spacers available. Refer to the table for maximum drill bit diameters for different spacers.



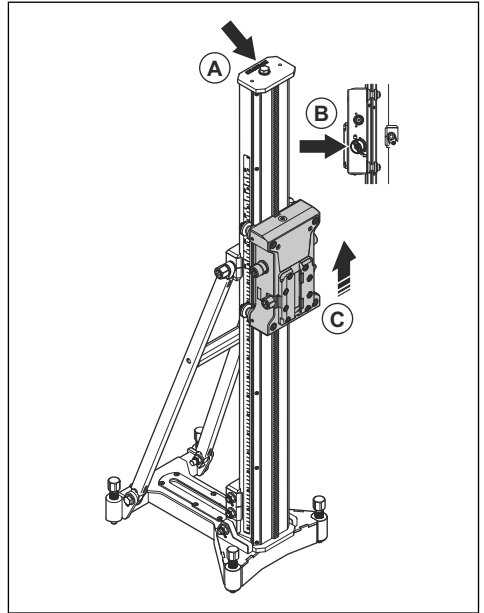
1. Install the spacer on the drill motor.
2. Attach the drill motor with spacer to the drill motor carriage.

Drill motor	Spacer, mm/in.			
	0	50/2	2×50/2	200/7.9
DM400	350/14	N/A	N/A	N/A
DM406	500/20	600/24	700/28	900/36
DM430	350/14	450/18	N/A	N/A
DM650	400/16	500/20	600/24	800/32
DM280/ DM340	350/14	450/18	N/A	N/A

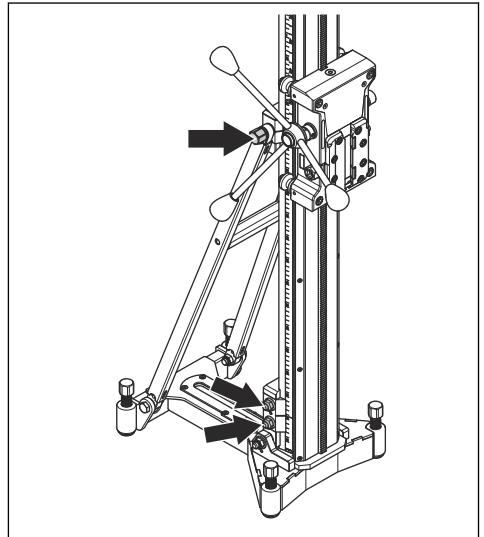
To change drill column

Do this procedure to change between the standard drill column and the 2 m drill column (accessory).

1. Loosen the jack screw and remove the end stop (A).



2. Unlock the drill motor carriage (B).
3. Remove the drill motor carriage (C).
4. Loosen the lock screws for the lock clamps that hold the drill column to the support and the bottom plate.



5. Remove the drill column.
6. Install the drill column in the opposite sequence.

Installation

Procedures for drill stand installation

There are 2 procedures that can be used to attach the drill stand before a drill operation:

- With an expander bolt.
- With an all thread rod, a washer and a locknut.



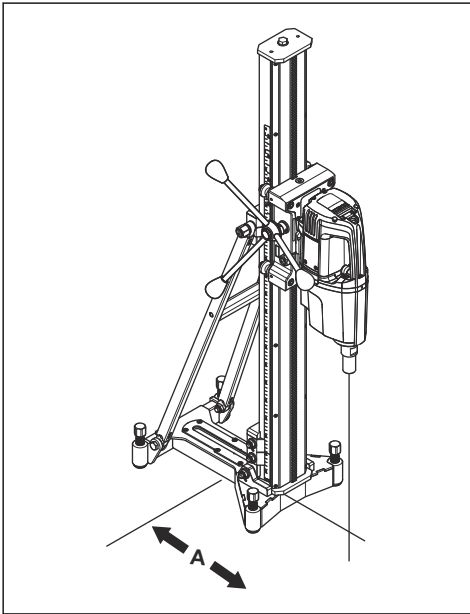
WARNING: Do not install the product with a vacuum plate. There is a risk that the product becomes loose during operation.

To install the product with an expander bolt



WARNING: To install the product to a ceiling or a wall puts much strain on the surface. For operation in ceilings and walls, use only an expander bolt or anchor screw that is applicable for the strain.

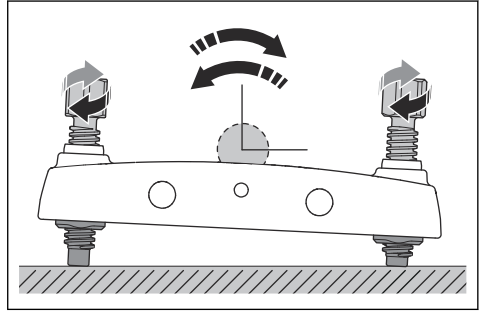
1. Drill a hole for the expander bolt at a distance (A) of 400 mm/15.7 in. from the center of the hole that you will drill.



Note: The distance is for drill motor DM650 without a spacer.

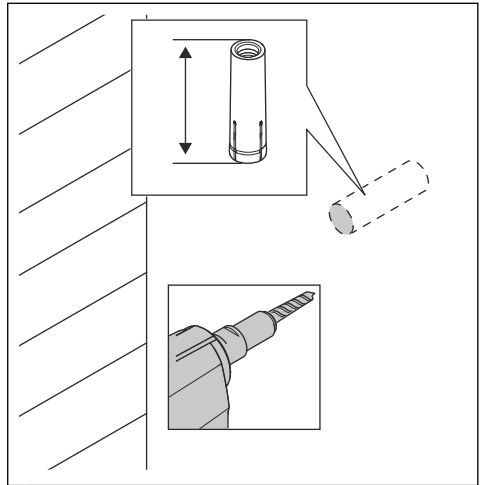
2. Attach the bottom plate with an expander bolt.
3. Make sure that the expander bolt is tightened correctly.

4. If it is necessary, adjust the bottom plate. Turn the adjustment screws until the bottom plate is parallel to the surface.

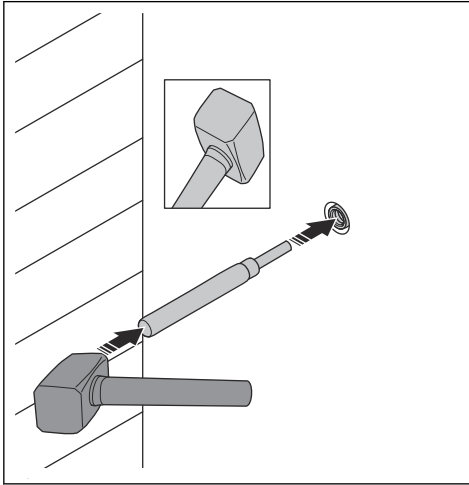


To attach the expander bolt

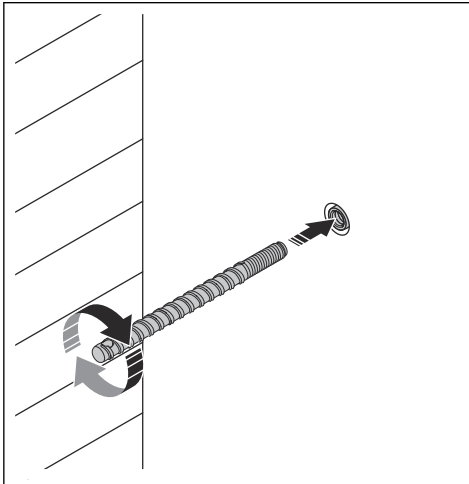
1. Drill a hole for the expander bolt. Make sure that the depth is sufficient. The socket must be put below the surface.



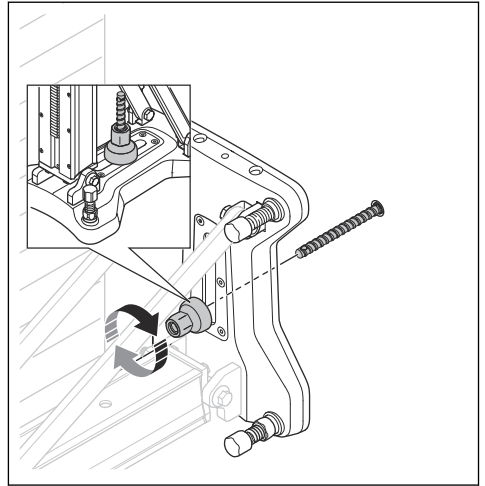
2. Use the mandrel and a hammer to install the expander.



3. Install the anchor screw.



4. Attach the product with the nut.



To install the product with an all thread rod

- Use an all thread rod to install the product to a wall or ceiling.
- Use an all thread rod when it is not possible to use an expander bolt.
- Use washers and nuts to tighten the all thread rod.

Operation

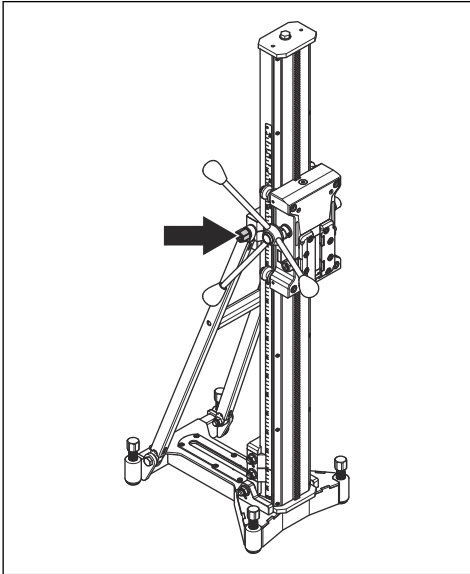
To do before you operate the product

- Read the operator's manual carefully and make sure that you understand the instructions.
- Read the operator's manual for the drill motor carefully and make sure that you understand the instructions.
- Do the daily maintenance. Refer to *Daily maintenance on page 10*.

To adjust the angle of the drill column

The drill column can be tilted 0–60°.

1. Loosen the lock screw that locks the drill column and set the applicable drill angle.



- a) Use the angle indicator for approximate adjustment. If higher precision is necessary, use alternative methods to measure.
2. Tighten the lock screw of the drill column.

Maintenance

Introduction



WARNING: Read and understand the safety chapter before you do maintenance on the product.



WARNING: To prevent injury, disconnect the power cord before you do maintenance.

Daily maintenance

- Make sure that the nuts and screws are tight.
- Clean the external surfaces.
- Make sure that the feed lever moves without resistance.
- Make sure that the gears move easily and do not cause a noise.
- Examine the drill column for wear and damage.
- Make sure that the drill motor carriage moves easily and that there is no play against the drill column.

To clean and lubricate the product



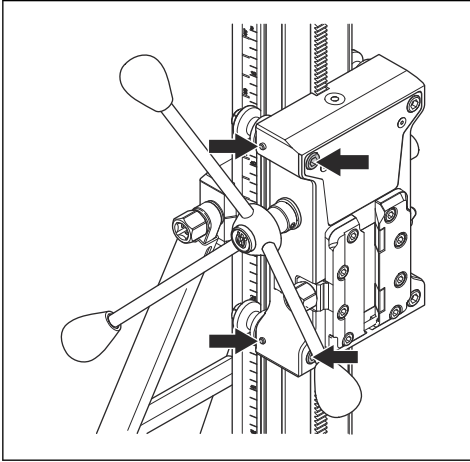
CAUTION: If you do not clean the drill stand, it can become damaged.

1. Remove the drill motor.
2. Clean the product with a high-pressure washer and then remove remaining water with a dry cloth.
3. Lubricate the moving parts of the product. Apply grease to the contact surfaces to prevent corrosion.

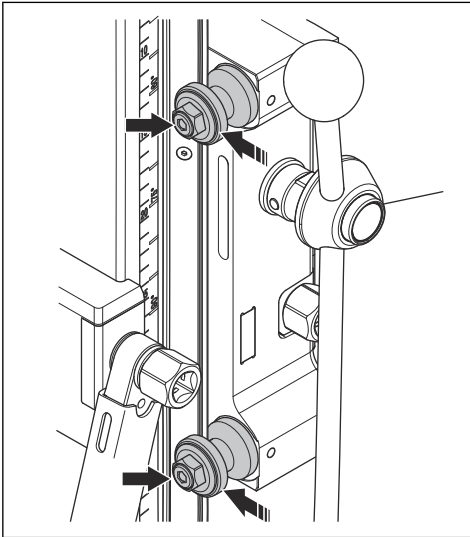
To adjust the drill motor carriage

If there is distance between the drill column and the drill motor carriage, the drill motor carriage must be adjusted.

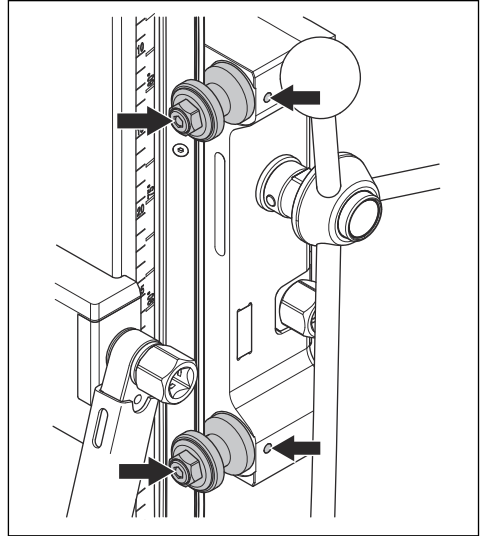
1. Loosen the 2 hex screws and the 2 stop screws for the 2 guide wheels.



2. Turn the roller shafts until the guide wheels are against the drill column.

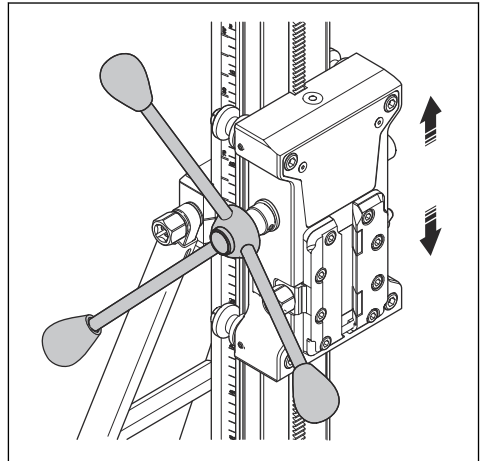


3. Keep the position of the guide wheel and tighten the lock screws.

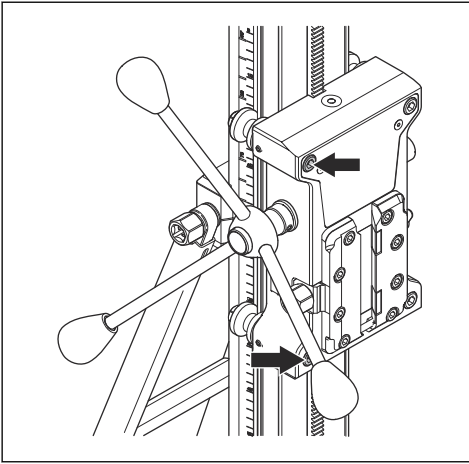


Note: After you have tightened the roller shafts, they must be possible to turn with the feed lever but not by hand.

4. Use the feed lever to move the drill motor carriage up and down. Make sure that the drill motor carriage moves smoothly on the drill column. The roller shafts must rotate and not move. If it is necessary, adjust the roller shafts again.



5. Tighten the 2 hex screws.



Transportation and storage

- Safely attach the product during transportation to prevent damage and accidents.
- Use the optional transport wheels for transportation of the product with a drill motor attached.
- For transportation without transport wheels, it is necessary to remove the drill motor from the product because the total weight is more than 25 kg.
- Keep the product in a locked area to prevent access for children or persons that are not approved.
- Keep the product in a dry and frost free area.

Technical data

Technical data

Dimensions	
Height, mm/in.	1300/51.2
Width, mm/in.	300/11.8
Depth, mm/in.	448/17.6
Weight, kg/lbs	24/53
Travel length, mm/in.	950/37.4
Max load (on handle), kg/lbs	150/330
Drill column angle	0–60°
Max. drill bit diameter with spacer, mm/in.	900/35.4
Max. drill bit diameter without spacer, mm/in.	500/19.7 (DM406)

Service

Approved service center

To find your nearest Husqvarna Construction Products approved service center, go to the web site .

Contenido

Introducción.....	14	Mantenimiento.....	23
Seguridad.....	16	Transporte y almacenamiento.....	25
Montaje.....	18	Datos técnicos.....	26
Instalación.....	20	Servicio.....	26
Funcionamiento.....	22		

Introducción

Descripción del producto

El producto es un soporte de taladro para los motores de la perforadora Husqvarna.

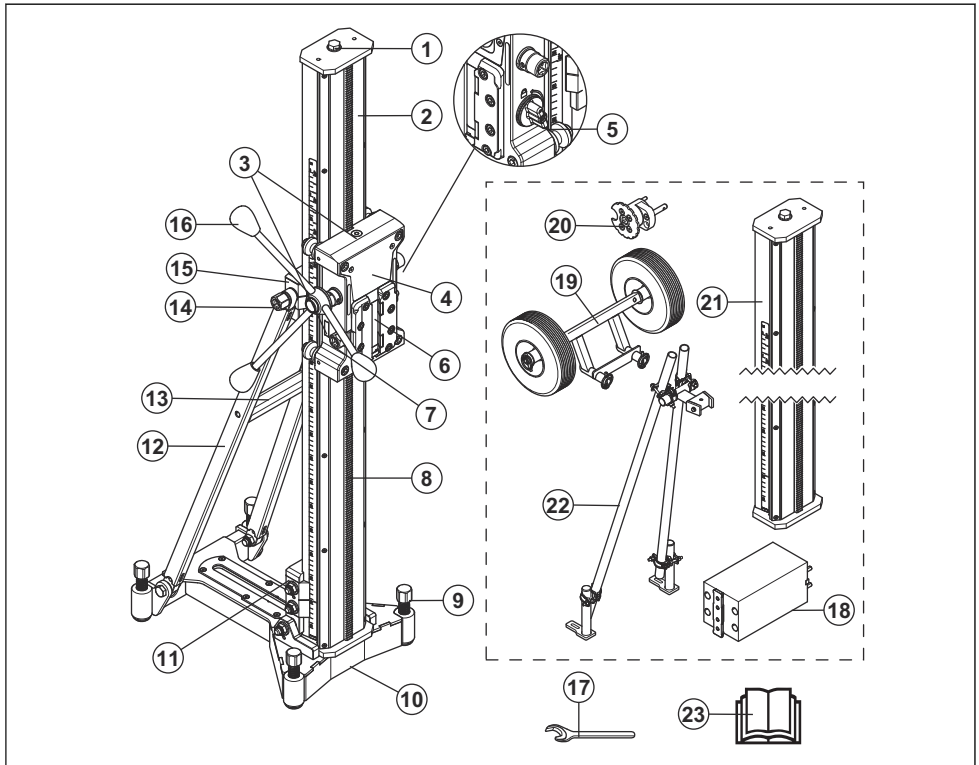
- El producto se puede utilizar con brocas de un diámetro máximo de 900 mm.
- La columna del taladro se puede inclinar de 0 a 60°.
- El producto tiene una placa de montaje rápido para el motor de la perforadora.
- Es posible utilizar una columna de taladro de 2 m de longitud (accesorio).

Uso previsto

Este producto se utiliza junto con un motor de la perforadora Husqvarna para perforar techos, muros y pisos. Este producto se utiliza en materiales como hormigón, ladrillo y distintos tipos de piedra. No se debe usar para ningún otro propósito.

El producto lo deben utilizar operadores experimentados en tareas industriales.

Descripción general del producto



1. Tornillo de gato
2. Columna del taladro
3. Indicador de nivel
4. Soporte del motor de la perforadora
5. Fijador del carro
6. Abrazadera de fijación para la placa de montaje rápido
7. Tornillo de fijación para la abrazadera de fijación
8. Cremallera de engranaje
9. Tornillos de ajuste de la palanca
10. Placa inferior
11. Abrazadera de fijación para la placa inferior y la columna del taladro
12. Asistencia
13. Mango de transporte
14. Tornillo de fijación para la inclinación de la columna del taladro
15. Abrazadera de fijación para el soporte y la columna del taladro
16. Palanca de alimentación
17. Llave, 24 mm

18. Adaptador, espaciador rápido (accesorio)
19. Ruedas de transporte (accesorio)
20. Soporte AD (accesorio)
21. Columna del taladro, 2 m (accesorio)
22. Soporte para la columna del taladro de 2 mm (accesorio)
23. Manual del usuario

Símbolos en la máquina



ADVERTENCIA: Este producto puede ser peligroso y provocar daños graves o fatales al operador o a otras personas. Tenga cuidado y utilice el producto correctamente.



Lea atentamente el manual del usuario y asegúrese de que entiende las instrucciones antes de usar el producto.



Use protección auditiva aprobada.

Tenga en cuenta: Otros símbolos o etiquetas en el producto hacen referencia a requisitos de certificación especiales para algunos mercados.

Responsabilidad del fabricante

Como se menciona en las leyes de responsabilidad del fabricante, no nos hacemos responsables de los daños que cause nuestro producto si:

- el producto se repara incorrectamente
- el producto se repara con piezas que no son del fabricante o que este no autoriza
- el producto tiene un accesorio que no es del fabricante o que este no autoriza
- el producto no se repara en un centro de servicio autorizado o por una autoridad aprobada.

Seguridad

Definiciones de seguridad

Las advertencias, precauciones y notas se utilizan para señalar las piezas particularmente importantes del manual.



ADVERTENCIA: Se utilizan para señalar el riesgo de lesiones graves o mortales para el operador o para aquellos que se encuentren cerca si no se siguen las instrucciones del manual.



AVISO: Se utilizan para señalar el riesgo de dañar la máquina, otros materiales o el área adyacente si no se siguen las instrucciones del manual.

Tenga en cuenta: Se utilizan para entregar más información necesaria en situaciones particulares.

Utilice siempre el sentido común



ADVERTENCIA: Bajo ninguna circunstancia debe modificar el diseño original de la máquina sin la aprobación del fabricante. Utilice siempre piezas de repuesto originales. Las modificaciones o los accesorios no autorizados pueden provocar graves lesiones o incluso la muerte al usuario u otras personas.

No es posible abordar todas las situaciones posibles que puede afrontar cuando usa una perforadora. Siempre tenga cuidado y use su sentido común. Evite todas las situaciones que considere que están más allá de su capacidad. Si todavía se siente inseguro acerca de los procedimientos operativos después de leer estas instrucciones, debería consultar a un experto antes de continuar.

No dude en comunicarse con su distribuidor si tiene alguna pregunta sobre el uso de la máquina. Estaremos encantados de brindarle consejos y asesoría, además de prestarle ayuda con el uso de la máquina de forma eficiente y segura.

Permita que su distribuidor de Husqvarna revise regularmente la perforadora y realice los ajustes y las reparaciones necesarios.

Toda la información y todos los datos en el manual del usuario estaban vigentes en el momento en que el manual del usuario se envió a impresión.

Instrucciones generales de seguridad



ADVERTENCIA: Lea atentamente las instrucciones de advertencia siguientes antes de usar el producto.

- Este producto puede ser una herramienta peligrosa si no se maneja con cuidado o si utiliza el producto de forma incorrecta. Este producto puede causar daños graves o fatales al operador o a otras personas. Antes de utilizar el producto, es muy importante que lea y comprenda el contenido de este manual de usuario.
- Guarde todas las advertencias y las instrucciones.
- Cumpla todas las leyes y reglamentos vigentes.
- El operador y el empleador del operador deben conocer y evitar los riesgos durante la operación del producto.
- No permita que nadie que no haya leído y comprendido el contenido del manual de usuario utilice el producto.
- No utilice el producto si no ha recibido capacitación antes de su uso. Asegúrese de que todos los usuarios reciban capacitación.
- No deje que un niño utilice el producto.
- Restrinja el uso del producto solo a personas autorizadas.
- El operador es responsable de los accidentes que puedan ocurrirles a otras personas o a sus propiedades.
- No utilice el producto si está cansado, enfermo o bajo la influencia de alcohol, drogas o medicamentos.
- Sea siempre cuidadoso y use el sentido común.
- Mantenga la máquina limpia. Asegúrese de que puede leer señales y etiquetas claramente.
- No utilice el producto si se encuentra defectuoso.
- No modifique este producto.

- No utilice el producto si es posible que otras personas hayan realizado modificaciones en el mismo.

Instrucciones de seguridad para el funcionamiento



ADVERTENCIA: Lea atentamente las instrucciones de advertencia siguientes antes de usar el producto.

- Utilice equipo de protección personal. Consulte *Equipo de protección personal en la página 17*.
- Asegúrese de que solo personas autorizadas estén en la zona de trabajo.
- Mantenga el área de trabajo limpia y despejada.
- Asegúrese de encontrarse en una posición segura y estable durante la operación.
- No utilice el producto en condiciones climáticas desfavorables, como nieblas densas, lluvias abundantes, vientos fuertes y fríos intensos. El trabajo en condiciones climáticas desfavorables es agotador y puede provocar condiciones peligrosas, como superficies resbaladizas.
- Siempre examine la parte trasera de la superficie por donde la broca pasará para llegar a la superficie. Asegúrese de que el área de trabajo sea segura. Acordone el área de trabajo. Asegúrese de que no se produzcan lesiones ni daños.
- Asegúrese de que ningún material se pueda aflojar y causar lesiones al operador.
- No utilice el producto si no puede recibir ayuda en caso de que ocurra un accidente.
- La aparición repentina de personas y animales puede impedir la operación segura del producto. Siempre utilice el producto con cuidado.
- Asegúrese de que ninguna prenda, cabello largo o joya puedan quedar atrapados en las piezas móviles.

Advertencias generales de seguridad del puesto de trabajo



ADVERTENCIA: Lea todas las advertencias de seguridad y todas las instrucciones. En caso de no seguir las advertencias ni las instrucciones se pueden producir sacudidas eléctricas, incendios o daños graves.

- **Desconecte el enchufe de la fuente de alimentación o retire la unidad de batería de la herramienta eléctrica antes de hacer ajustes o cambiar accesorios.** El arranque accidental de la herramienta eléctrica puede causar accidentes.
- **Arme adecuadamente el soporte de trabajo antes de montar la herramienta.** El armado adecuado es importante para evitar el riesgo de colapso.
- **Fije firmemente la herramienta eléctrica al soporte de trabajo antes de utilizarla.** Si la herramienta

eléctrica se mueve en el soporte de trabajo, puede provocar una pérdida de control.

- **Coloque el soporte de trabajo en una superficie sólida, plana y nivelada.** Cuando el soporte de trabajo se puede mover o balancear, la herramienta eléctrica o la pieza de trabajo no se podrán controlar de forma continua y segura.
- **No sobrecargue el soporte de trabajo ni lo use como andamio de escalera.** Si sobrecarga el soporte de trabajo, o se para en él, puede quedar demasiado pesado en la parte superior y, probablemente, se vuelque.

Equipo de protección personal



ADVERTENCIA: Lea atentamente las instrucciones de advertencia siguientes antes de usar el producto.

- Utilice siempre el equipo de protección personal adecuado cuando utilice el producto. El equipo de protección personal no elimina el riesgo de lesiones. El equipo de protección personal disminuye el grado de la lesión en caso de un accidente. Permita que su distribuidor le ayude seleccionar el equipo adecuado.
- Use una protección ocular aprobada cuando emplee el producto.
- No utilice prendas flojas, pesadas y no apropiadas. Utilice ropa que le permita moverse libremente.
- Utilice guantes protectores aprobados que permitan un agarre firme.
- Utilice guantes protectores de goma para evitar la irritación de la piel causada por el hormigón húmedo.
- Utilice un casco protector aprobado.
- Utilice siempre protectores auriculares aprobados cuando emplee el producto. Escuchar ruidos durante un largo período puede provocar pérdida de audición inducida por el ruido.
- El producto genera polvo y gases que contienen químicos peligrosos. Utilice protección respiratoria aprobada.
- Utilice botas con punta de acero y suela antideslizante.
- Asegúrese de tener un botiquín de primeros auxilios.
- Se pueden generar chispas cuando utilice el producto. Asegúrese de tener cerca un extintor de incendios.

Dispositivos de seguridad en el producto



ADVERTENCIA: Lea atentamente las instrucciones de advertencia siguientes antes de usar el producto.

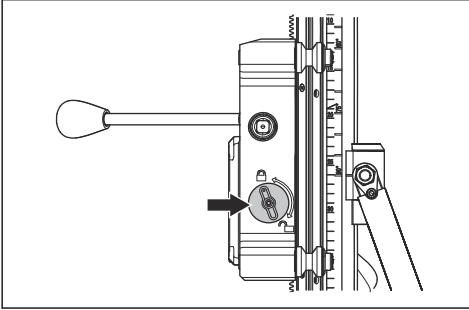
- No utilice un producto con dispositivos de seguridad defectuosos.
- Revise los dispositivos de seguridad de forma regular. Si los dispositivos de seguridad están

defectuosos, comuníquese con su taller de servicio Husqvarna.

2. Asegúrese de que el carro del motor de la perforadora se detenga cuando entre en contacto con la placa de tope.

Para comprobar el bloqueo del carro

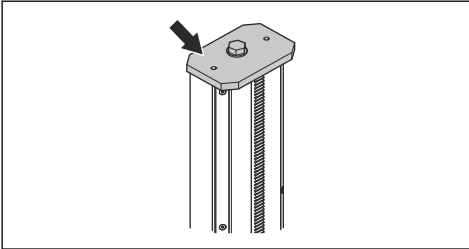
1. Gire la perilla para bloquear el carro del motor de la perforadora.



2. Utilice la mano para sentir si el carro del motor de la perforadora está fijado a la columna del taladro.

Para realizar una comprobación del tope de la columna del taladro

1. Asegúrese de que el tope esté instalado correctamente en la parte superior de la columna del taladro.



ADVERTENCIA: Lea atentamente las instrucciones de advertencia siguientes antes de usar el producto. Guarde todas las advertencias y las instrucciones para futuras operaciones.

- Detenga el motor de la perforadora, desconecte la fuente de alimentación y retire el motor de la perforadora antes de realizar un mantenimiento del producto.
- Mantenga todas las piezas en buen estado y asegúrese de que todos los componentes fijos estén ajustados correctamente.
- No utilice un producto que esté defectuoso. Realice los controles de seguridad y de mantenimiento como se describe en este manual. Todas las demás tareas de mantenimiento se deben realizar en un taller de servicio aprobado.
- Realice mantenimiento para asegurarse de que el producto funcione correctamente. Consulte *Mantenimiento diario en la página 23*.

Montaje

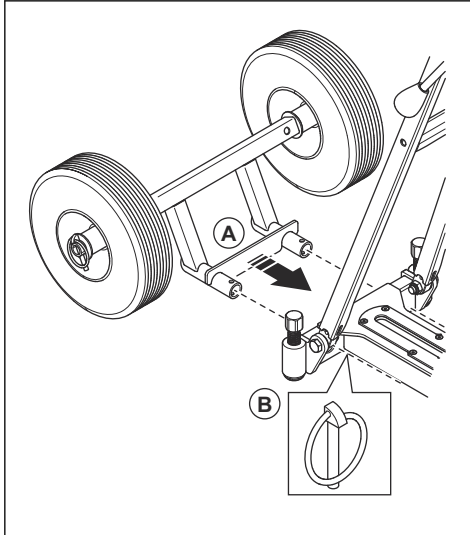
Introducción



ADVERTENCIA: Asegúrese de leer y comprender el capítulo de seguridad antes de montar el producto.

Para instalar el juego de ruedas (accesorio)

1. Coloque el soporte (A) en los agujeros de la placa inferior.



2. Coloque el juego de ruedas con los sujetadores (B).

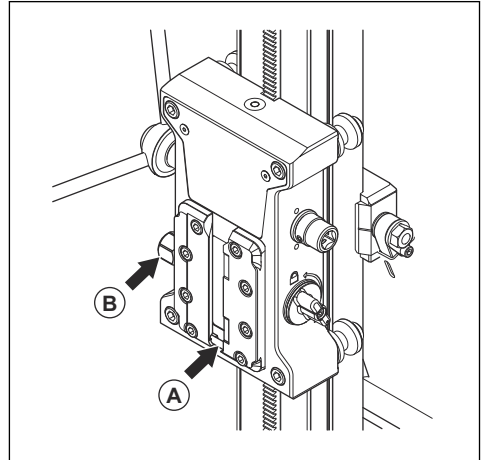
Para montar el motor de la perforadora



ADVERTENCIA: Desconecte el motor de la perforadora de la fuente de alimentación.

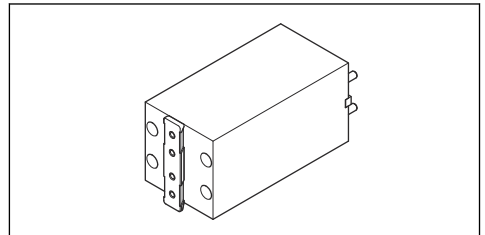
1. Retire la broca del motor de la perforadora.
2. Fije el seguro del carro.
3. Fije el motor de la perforadora en la abrazadera de fijación del carro del motor de la perforadora.
4. Presione el motor de la perforadora completamente hacia la parte inferior de la abrazadera de fijación (A).

5. Apriete la abrazadera de fijación con el tornillo de fijación (B).



Para instalar un espaciador (accesorio)

Se debe utilizar un espaciador cuando la broca es de un diámetro grande. Existen distintos tipos de espaciadores disponibles. Consulte en la tabla los diámetros máximos de las brocas para distintos espaciadores.



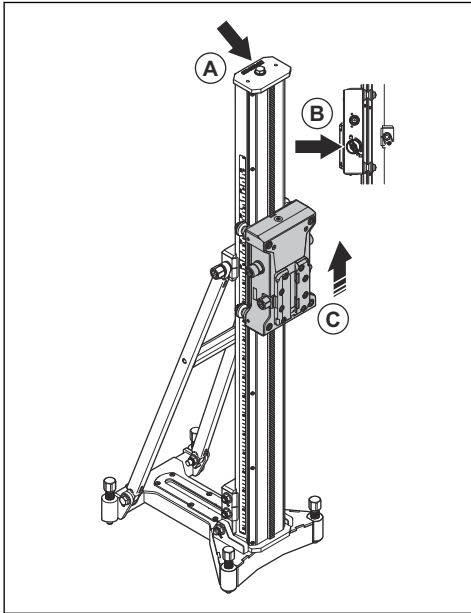
1. Instale el espaciador en el motor de la perforadora.
2. Fije el motor de la perforadora con el espaciador al carro del motor de la perforadora.

Motor de la perforadora	Espaciador, mm/pulg.			
	0	50/2	2 × 50/2	200/7,9
DM400	350/14	N/A	N/A	N/A
DM406	500/20	600/24	700/28	900/36
DM430	350/14	450/18	N/A	N/A
DM650	400/16	500/20	600/24	800/32
DM280/ DM340	350/14	450/18	N/A	N/A

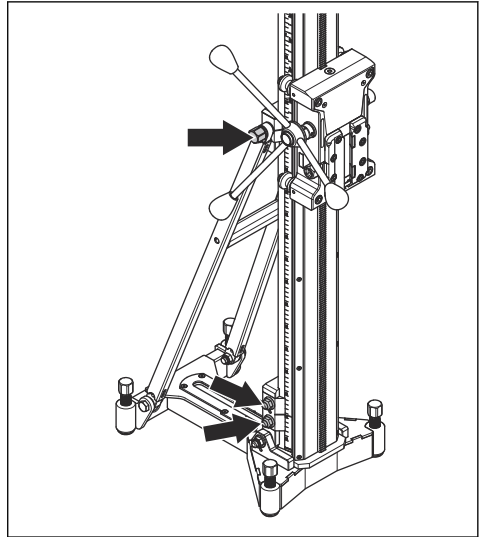
Para cambiar la columna del taladro

Realice este procedimiento para cambiar entre la columna del taladro estándar y la columna de taladro de 2 m (accesorio).

1. Afloje el tornillo del gato mecánico y retire el tope (A).



2. Desbloquee el carro del motor de la perforadora (B).
3. Retire el carro del motor de la perforadora (C).
4. Afloje los tornillos de bloqueo de las abrazaderas de bloqueo que sujetan la columna del taladro al soporte y a la placa inferior.



5. Retire la columna del taladro.
6. Instale la columna del taladro en la secuencia inversa.

Instalación

Procedimientos para la instalación del soporte del taladro

Se pueden utilizar 2 procedimientos para instalar el soporte del taladro antes de una operación de perforación:

- Con un perno de expansión.
- Con una varilla roscada, una arandela y una contratuerca.



ADVERTENCIA: No instale el producto con una placa de vacío. Existe el riesgo de que el producto se suelte durante el funcionamiento.

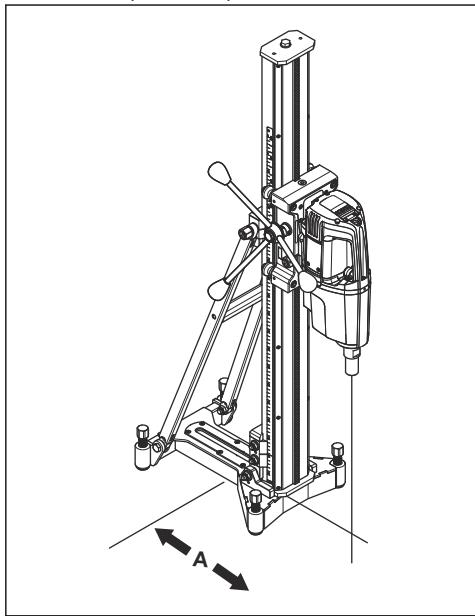
Para instalar el producto con un perno de expansión



ADVERTENCIA: La instalación del producto en un techo o en la pared ejerce mucha presión sobre la superficie. Para el uso en techos y paredes, utilice solo un perno de

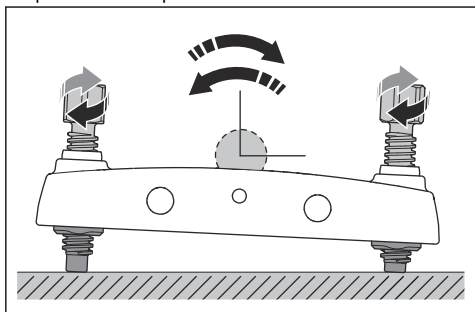
expansión o tornillo de anclaje que corresponda a la presión.

1. Perfore un orificio para el perno de expansión a una distancia (A) de 400 mm/15,7 pulg. desde el centro del orificio que se va a perforar.



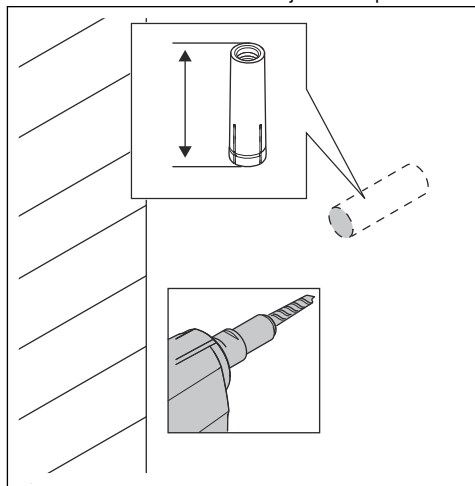
Tenga en cuenta: La distancia está prevista para el motor de la perforadora DM650 sin espaciador.

2. Fije la placa inferior con un perno de expansión.
3. Asegúrese de que el perno de expansión esté correctamente apretado.
4. Si es necesario, ajuste la placa inferior. Gire los tornillos de ajuste hasta que la placa inferior esté paralela a la superficie.

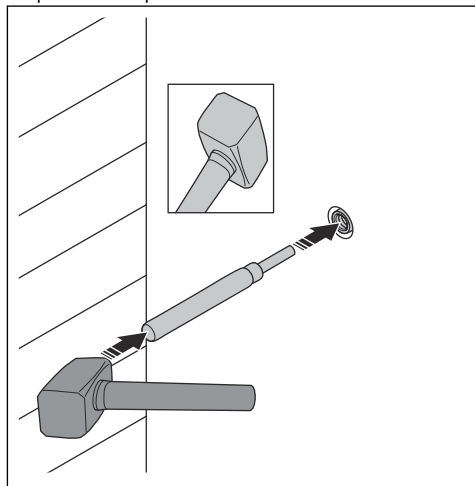


Para fijar el perno de expansión

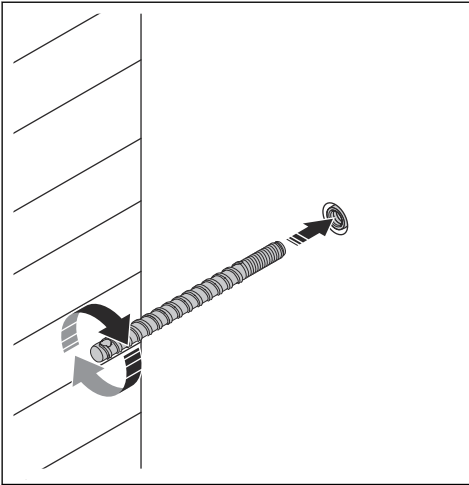
1. Taladre un orificio para el perno de expansión. Asegúrese de que la profundidad sea suficiente. Debe colocar el conector debajo de la superficie.



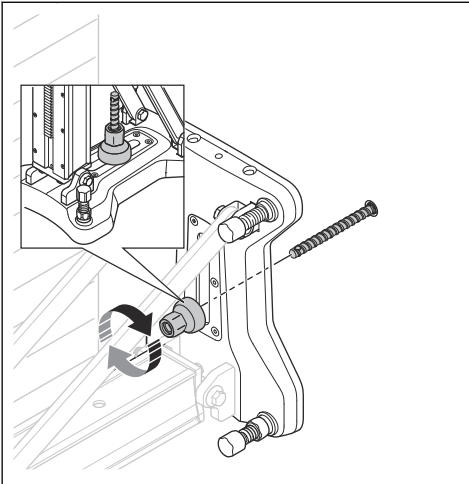
2. Utilice el mandril y un martillo para instalar los pernos de expansión.



3. Instale el tornillo de anclaje.



4. Fije el producto con la tuerca.



Para instalar el producto con una varilla roscada

- Utilice una varilla roscada para instalar el producto en una pared o en el techo.
- Utilice una varilla roscada cuando no sea posible utilizar un perno de expansión.
- Utilice arandelas y tuercas para apretar la varilla roscada.

Funcionamiento

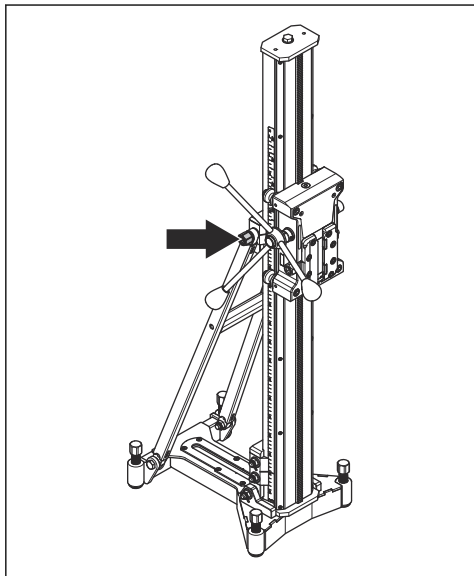
Haga lo siguiente antes de usar el producto

- Lea atentamente el manual del usuario y asegúrese de entender las instrucciones.
- Lea el manual de instrucciones del motor de la perforadora cuidadosamente y asegúrese de entender las instrucciones.
- Realice el mantenimiento diario. Consulte *Mantenimiento diario en la página 23*.

Para ajustar el ángulo de la columna del taladro

La columna del taladro se puede inclinar de 0 a 60°.

1. Afloje el tornillo de seguridad que fija la columna del taladro y ajuste la inclinación aplicable para el taladro.



- a) Utilice el indicador de ángulo para lograr un ajuste aproximado. Si se necesita una mayor precisión, utilice métodos alternativos para medir.
2. Apriete el tornillo de seguridad de la columna del taladro.

Mantenimiento

Introducción



ADVERTENCIA: Lea detenidamente el capítulo de seguridad antes de realizar mantenimiento en el producto.



ADVERTENCIA: Para evitar lesiones personales, desconecte el cable de alimentación antes de realizar tareas de mantenimiento.

Mantenimiento diario

- Asegúrese de que las tuercas y los tornillos estén apretados.
- Limpie las superficies externas.
- Asegúrese de que la palanca de alimentación se mueve sin ofrecer resistencia.
- Asegúrese de que los engranajes se mueven fácilmente y no causan un nivel de ruido.
- Examine la columna del taladro para detectar si hay desgaste o daños.
- Asegúrese de que el carro del motor de la perforadora se mueve con facilidad y que no haya ningún espacio entre este y la columna del taladro.

Para limpiar y lubricar el producto



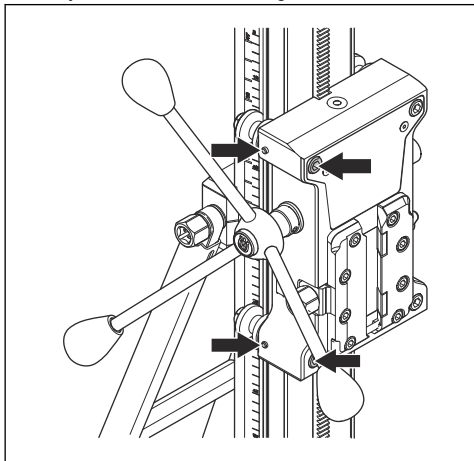
AVISO: Si no limpia el soporte del taladro, este puede resultar dañado.

1. Retire el motor de la perforadora.
2. Limpie el producto con una hidrolavadora de alta presión y, a continuación, retire el agua restante con un paño seco.
3. Lubrique las partes móviles del producto. Aplique grasa a las superficies de contacto para evitar la corrosión.

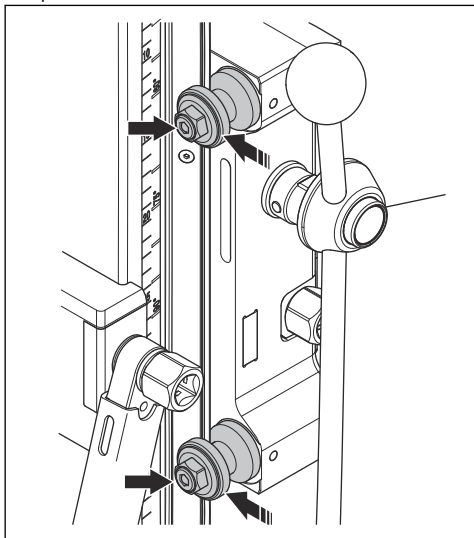
Para ajustar el carro del motor de la perforadora

Si hay distancia entre la columna del taladro y el carro del motor de la perforadora, debe ajustar el carro del motor de la perforadora.

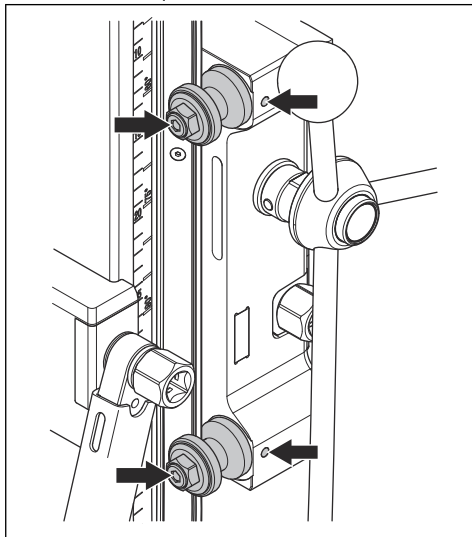
1. Afloje los dos tornillos hexágonos y los dos tornillos de fijación de las dos ruedas guía.



2. Gire los ejes del rodillo hasta que las ruedas guía queden contra la columna del taladro.

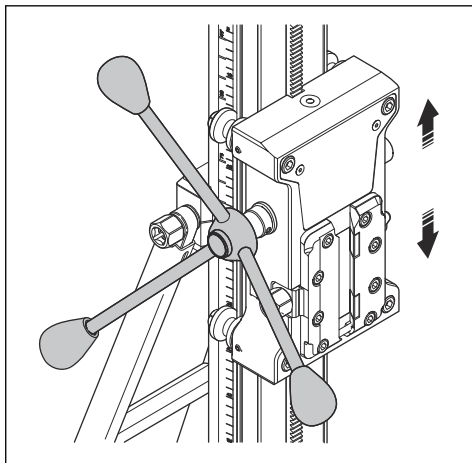


3. Mantenga la posición de la rueda guía y apriete los tornillos de bloqueo.

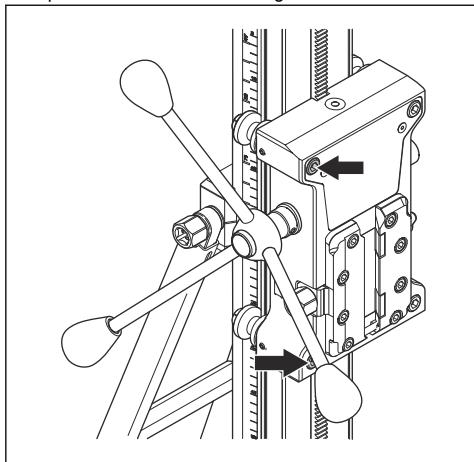


Tenga en cuenta: Una vez ajustados los ejes de los rodillos, asegúrese de que se puedan girar con la palanca de alimentación, pero no con la mano.

4. Utilice la palanca de alimentación para mover el carro del motor de la perforadora hacia arriba y hacia abajo. Asegúrese de que el carro del motor de la perforadora se mueva suavemente por la columna del taladro. Los ejes de los rodillos deben rotar y no moverse. Si es necesario, ajuste los ejes del rodillo de nuevo.



5. Apriete los dos tornillos hexágonos.



Transporte y almacenamiento

- Asegure bien el producto durante el transporte para evitar daños y accidentes.
- Utilice las ruedas de transporte opcionales para transportar el producto con un motor de perforadora instalado.
- Para el transporte sin ruedas de transporte, se debe quitar el motor de la perforadora del producto, ya que el peso total es superior a 25 kg.
- Mantenga el producto en un área cerrada para evitar que los niños u otras personas sin autorización puedan acceder a él.
- Mantenga el producto en un lugar seco y sin escarcha.

Datos técnicos

Datos técnicos

Dimensiones	
Altura, mm/pulg.	1300/51,2
Ancho, mm/pulg	300/11,8
Profundidad, mm/pulg.	448/17,6
Peso, kg/lb	24/53
Longitud de movimiento, mm/pulg.	950/37,4
Carga máxima (en el mango), kg/lb	150/330
Ángulo de la columna del taladro	De 0 a 60°
Diámetro máximo de la broca con separador, mm/pulg.	900/35,4
Diámetro máximo de la broca sin separador, mm/pulg.	500/19,7 (DM406)

Servicio

Centro de servicio autorizado

Para encontrar el centro de servicio autorizado por Husqvarna Construction Products más cercano, diríjase al sitio web de .

Table des matières

Introduction.....	27	Entretien.....	36
Sécurité.....	29	Transport et entreposage.....	38
Montage.....	31	Données techniques.....	39
Installation.....	33	Service.....	39
Fonctionnement.....	35		

Introduction

Description du produit

Le produit est un support de forage pour les moteurs de foret Husqvarna.

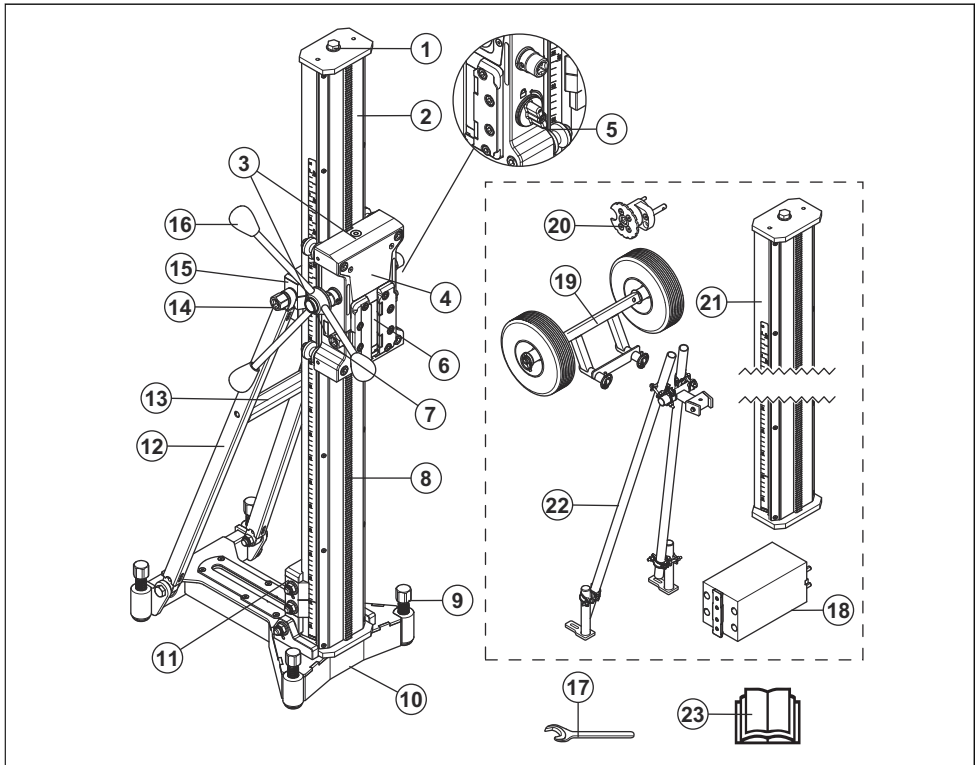
- Il peut être utilisé avec des forets d'un diamètre maximal de 900 mm.
- La colonne de forage peut être inclinée de 0 à 60°.
- Le produit est doté d'une plaque de montage rapide pour le moteur de foret.
- Il est possible d'utiliser une colonne de forage de 2 m de longueur (accessoire).

Utilisation prévue

Ce produit est utilisé avec le moteur de foret Husqvarna pour percer dans les plafonds, les murs et les planchers. Ce produit est utilisé dans le béton, la brique et différents types de pierre. Toute autre utilisation est inappropriée.

Le produit est conçu pour des opérations industrielles et destiné à des opérateurs expérimentés.

Présentation du produit



1. Vis de calage
2. Colonne de forage
3. Indicateur de niveau
4. Chariot du moteur de forage
5. Verrou du chariot
6. Collier de blocage de la plaque de montage rapide
7. Vis de blocage du collier de blocage
8. Crémaillère
9. Vis de réglage du levier
10. Plaque de fond
11. Collier de blocage de la plaque de fond et de la colonne de forage
12. Soutien
13. Poignée de transport
14. Vis de blocage pour l'inclinaison de la colonne de forage
15. Collier de blocage du support et de la colonne de forage
16. Levier d'alimentation
17. Clé, 24 mm
18. Adaptateur, entretoise rapide (accessoire)

19. Roues de transport (accessoire)
20. Support AD (accessoire)
21. Colonne de forage, 2 m (accessoire)
22. Support pour colonne de forage de 2 m (accessoire)
23. Manuel d'utilisation

Symboles figurant sur l'outil



AVERTISSEMENT : Ce produit peut être dangereux et causer des blessures très graves, ou même mortelles, à l'utilisateur et à d'autres personnes. Faire attention et utiliser le produit correctement.



Lire attentivement le manuel d'instructions et veiller à bien comprendre les directives avant d'utiliser l'appareil.



Utiliser un dispositif de protection homologué pour les oreilles.

Remarque : Les autres symboles et autocollants apposés sur le produit se rapportent aux exigences en matière de certification pour certains marchés.

Responsabilité concernant le produit

Comme indiqué dans les lois en vigueur sur la responsabilité concernant les produits, nous ne serons pas tenus responsables des dommages que notre produit causerait dans les situations suivantes :

- Le produit n'est pas réparé de façon adéquate.
- Le produit est réparé avec des pièces qui ne sont pas fournies ou homologuées par le fabricant.
- Le produit comprend un accessoire qui n'est pas fourni ou homologué par le fabricant.
- Le produit n'est pas réparé par un centre de service après-vente agréé ou par une autorité homologuée.

Sécurité

Définitions relatives à la sécurité

Les avertissements, recommandations et remarques soulignent des points du manuel qui revêtent une importance particulière.



AVERTISSEMENT: Indique la présence d'un risque de blessure ou de décès de l'utilisateur ou de personnes à proximité si les instructions du manuel ne sont pas suivies.



MISE EN GARDE : Indique la présence d'un risque de dommages au produit, à d'autres appareils ou à la zone adjacente si les instructions du manuel ne sont pas suivies.

Remarque : Utilisé pour donner des renseignements plus détaillés qui sont nécessaires dans une situation donnée.

Toujours faire preuve de bon sens.



AVERTISSEMENT: Il ne faut en aucun cas modifier la conception originale de la machine sans l'approbation du fabricant. Toujours utiliser des pièces de rechange d'origine. Les modifications et/ou les accessoires non autorisés peuvent entraîner des blessures graves ou la mort de l'utilisateur ou d'autres personnes.

Il n'est pas possible de couvrir toutes les situations imaginables auxquelles vous pourriez faire face quand vous utilisez une machine de forage. Toujours faire preuve d'attention et de bon sens. Éviter toutes les situations qui vous semblent difficiles. En cas d'incertitude au sujet des procédures d'utilisation après avoir lu ces instructions, consulter un expert avant de continuer.

N'hésitez pas à communiquer avec votre concessionnaire si vous avez des questions supplémentaires sur l'utilisation de la machine. Nous sommes à votre disposition et nous vous fournirons des conseils et de l'aide sur l'utilisation efficace et sécuritaire de votre machine.

Demander à son concessionnaire Husqvarna de vérifier régulièrement la machine de forage et d'y apporter les réglages et les réparations nécessaires.

Tous les renseignements et toutes les données contenus dans le manuel de l'opérateur étaient pertinents au moment où celui-ci a été envoyé à l'impression.

Consignes générales de sécurité



AVERTISSEMENT: Lire les messages d'avertissement qui suivent avant d'utiliser l'outil.

- Ce produit est un outil dangereux s'il est utilisé de façon insouciant ou inappropriée. Cet outil peut causer des blessures graves, ou même mortelles, à l'utilisateur et à d'autres personnes. Il est obligatoire de lire et de comprendre le contenu de ce manuel d'utilisation avant d'utiliser l'outil.
- Conserver tous les avertissements et toutes les instructions.
- Se conformer à toutes les lois et réglementations en vigueur.
- L'utilisateur et l'employeur de l'utilisateur doivent connaître et prévenir les risques liés à l'utilisation du produit.
- Ne pas laisser une personne utiliser le produit à moins qu'elle a lu et compris le contenu de ce manuel d'utilisation.
- Ne pas faire fonctionner le produit sans avoir reçu une formation relative à son fonctionnement. S'assurer que tous les utilisateurs reçoivent une formation.
- Ne pas laisser un enfant utiliser l'outil.
- Seules les personnes autorisées peuvent utiliser le produit.
- L'utilisateur est responsable des accidents survenus à d'autres personnes ou à leurs biens.
- Ne pas utiliser le produit en cas de fatigue ou sous l'emprise de l'alcool, de drogues ou de médicaments.
- Toujours rester prudent et faire preuve de bon sens.
- Toujours garder le produit propre. S'assurer de pouvoir lire clairement les signes et les autocollants.

- Ne pas utiliser le produit s'il est défectueux.
- Ne pas modifier ce produit.
- Ne pas utiliser le produit s'il est possible que d'autres personnes aient apporté des modifications à celui-ci.

Consignes de sécurité pour l'utilisation



AVERTISSEMENT: Lire les messages d'avertissement qui suivent avant d'utiliser l'appareil.

- Utiliser de l'équipement de protection individuelle. Se reporter à la section *Équipement de protection personnelle à la page 30*.
- S'assurer que seules les personnes autorisées se trouvent dans la zone de travail.
- Maintenir la zone de travail propre et bien éclairée.
- S'assurer d'être dans une position stable et sécuritaire au cours du travail.
- Ne pas utiliser le produit par mauvais temps, y compris dans un brouillard épais, sous une pluie diluvienne, dans des endroits fortement venteux et en cas de froid intense. Travailler par mauvais temps accroît la fatigue et peut entraîner des conditions dangereuses, par exemple des surfaces glissantes.
- Toujours examiner l'arrière de la surface où le foret traversera la surface. Sécuriser la zone de travail. Boucler la zone de travail. S'assurer qu'il n'y a pas de risque de blessure ou de dommage.
- S'assurer qu'aucun matériau ne peut se détacher et blesser l'utilisateur.
- Ne pas utiliser l'outil s'il n'est pas possible d'obtenir de l'aide en cas d'accident.
- L'apparition soudaine de personnes et d'animaux peut empêcher l'utilisation sécuritaire du produit. Toujours utiliser le produit avec précaution.
- S'assurer que les vêtements, les cheveux longs et les bijoux ne peuvent pas se coincer dans les pièces en mouvement.

Avertissements de sécurité généraux relatifs au support de travail



AVERTISSEMENT: Lire toutes les instructions et consignes de sécurité. Le non-respect de ces instructions et consignes peut provoquer une électrocution, un incendie et des blessures graves.

- **Débrancher la fiche de la prise d'alimentation ou du bloc-batterie avant de procéder aux réglages et de changer les accessoires.** Le démarrage accidentel de l'outil électrique est la cause de certains accidents.
- **Assembler correctement le support de travail avant de monter l'outil.** L'assemblage est important pour éviter tout risque d'effondrement.

- **Fixer solidement l'outil électrique au support de travail avant l'utilisation.** Le déplacement de l'outil électrique sur le support de travail peut entraîner une perte de contrôle.
- **Placer le support de travail sur une surface plane, stable et de niveau.** Quand le support de travail peut se déplacer ou se balancer, l'outil électrique ou la pièce à usiner ne peut pas être contrôlé au niveau de la stabilité et en toute sécurité.
- **Ne pas surcharger le support de travail et ne pas l'utiliser comme échafaudage.** Surcharger le support de travail ou s'y tenir debout charge excessivement le haut du support et favorise son renversement.

Équipement de protection personnelle



AVERTISSEMENT: Lire les messages d'avertissement qui suivent avant d'utiliser l'appareil.

- Toujours utiliser un équipement de protection personnelle lors de l'utilisation du produit. L'équipement de protection personnelle ne supprime pas le risque de blessures. L'équipement de protection personnelle réduit la gravité des blessures en cas d'accident. Laisser le concessionnaire vous aider à sélectionner l'équipement adéquat.
- Utiliser un dispositif de protection homologué pour les yeux pendant l'utilisation du produit.
- Ne pas utiliser des vêtements lâches, lourds ou non adéquats. Utiliser des vêtements qui permettent de se déplacer librement.
- Utiliser des gants de protection homologués qui offrent une prise solide.
- Porter des gants de protection en caoutchouc afin d'éviter toute irritation de la peau causée par le béton humide.
- Utiliser un casque de protection approuvé.
- Toujours porter un dispositif de protection homologué pour les oreilles lorsqu'on utilise le produit. Le fait d'entendre du bruit pendant une longue période peut engendrer une perte auditive.
- Le produit génère de la poussière et des fumées qui contiennent des produits chimiques dangereux. Utiliser une protection respiratoire adéquate.
- Utiliser des bottes à embout en acier et semelles antidérapantes.
- Vérifier qu'on dispose d'une trousse de premiers soins à proximité.
- Des étincelles peuvent se produire pendant l'utilisation du produit. S'assurer d'avoir un extincteur à proximité.

Dispositifs de sécurité sur l'outil



AVERTISSEMENT: Lire les messages d'avertissement qui suivent avant d'utiliser l'outil.

- Ne pas utiliser un outil dont les dispositifs de protection sont défectueux.
- Vérifier régulièrement les dispositifs de sécurité. Si les dispositifs de sécurité sont défectueux, parler à votre agent d'entretien Husqvarna.

2. S'assurer que le chariot du moteur de foret s'arrête lorsqu'il touche la plaque de butée.

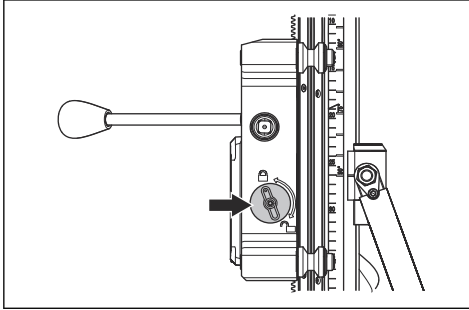
Consignes de sécurité pour la maintenance



AVERTISSEMENT: Lire les messages d'avertissement qui suivent avant d'utiliser l'outil. Conserver ces instructions et consignes pour utilisation ultérieure.

Pour vérifier le verrou du chariot

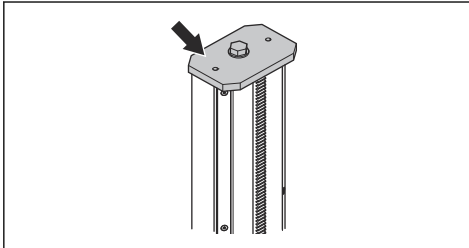
1. Tourner le bouton pour bloquer le chariot du moteur de foret.



2. Vérifier à la main si le chariot du moteur de foret est verrouillé sur la colonne de forage.

Pour vérifier la butée d'extrémité de la colonne de forage

1. S'assurer que la butée d'extrémité est correctement installée en haut de la colonne de forage.



- Arrêter le moteur de foret, débrancher l'alimentation et retirer le moteur de foret avant de procéder à l'entretien du produit.
- Garder toutes les pièces en bon état d'utilisation et s'assurer que toutes les fixations sont correctement serrées.
- Ne pas utiliser un produit endommagé. Effectuer les vérifications de sécurité, de maintenance et d'entretien conformément aux instructions fournies dans ce manuel. Tous les autres travaux d'entretien doivent être effectués par un agent d'entretien agréé.
- Effectuer la maintenance pour s'assurer que le produit fonctionne de façon adéquate. Se reporter à la section *Entretien quotidien* à la page 36.

Montage

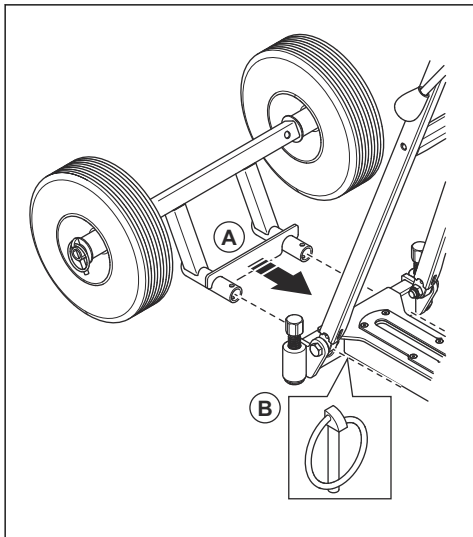
Introduction



AVERTISSEMENT: Lire et comprendre le chapitre sur la sécurité avant d'assembler le produit.

Installation de l'ensemble de roues (accessoire)

1. Placer le support (A) dans les trous de la plaque de fond.



2. Fixer l'ensemble de roues avec les attaches (B).

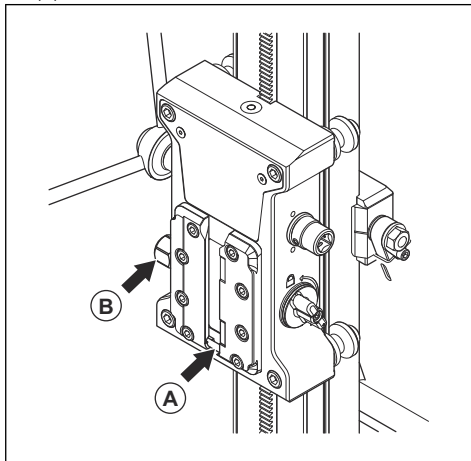
Fixation du moteur de forage



AVERTISSEMENT: Débrancher le moteur de foret de l'alimentation électrique.

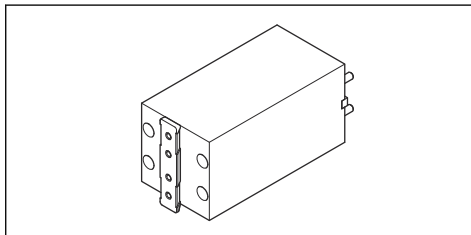
1. Retirer le foret du moteur de foret.
2. Verrouiller le verrou du chariot.
3. Fixer le moteur de foret dans le collier de blocage sur le chariot du moteur de foret.
4. Pousser complètement le moteur de foret jusqu'au bas du collier de blocage (A).

5. Serrer le collier de blocage avec la vis de blocage (B).



Installation d'une entretoise (accessoire)

Une entretoise est nécessaire lorsque le diamètre du foret est grand. Différents types d'entretoises sont offerts. Se reporter au tableau pour connaître les diamètres de foret maximum pour les différentes entretoises.



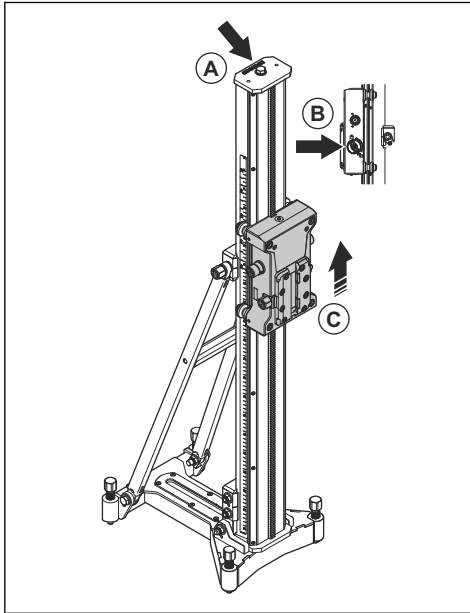
1. Installer l'entretoise sur le moteur de foret.
2. Fixer le moteur de foret avec l'entretoise au chariot du moteur de foret.

Moteur de forage	Entretoise, mm/po			
	0	50/2	2×50/2	200/7,9
DM400	350/14	S.O.	S.O.	S.O.
DM406	500/20	600/24	700/28	900/36
DM430	350/14	450/18	S.O.	S.O.
DM650	400/16	500/20	600/24	800/32
DM280/ DM340	350/14	450/18	S.O.	S.O.

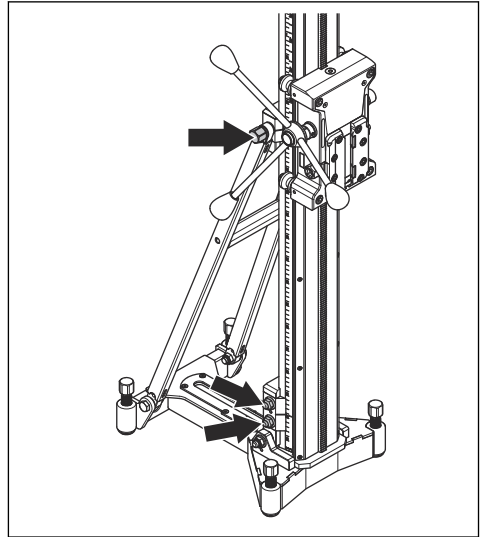
Modification de la colonne de forage

Procéder comme suit pour changer de la colonne de forage standard pour la colonne de forage de 2 m (accessoire).

1. Desserrer la vis de calage et retirer la butée d'extrémité (A).



2. Déverrouiller le chariot du moteur de foret (B).
3. Retirer le chariot du moteur de foret (C).
4. Desserrer les vis de blocage des colliers de blocage qui maintiennent la colonne de forage sur le support et la plaque de fond.



5. Retirer la colonne de forage.
6. Installer la colonne de forage dans l'ordre inverse.

Installation

Procédures d'installation du support de forage

Deux procédures peuvent être utilisées pour fixer le support de forage avant une opération de forage :

- à l'aide d'un boulon d'expansion;
- à l'aide d'une tige entièrement filetée, d'une rondelle et d'un contre-écrou.



AVERTISSEMENT: Ne pas installer le produit avec une plaque à dépression. Le produit risque de se desserrer pendant le fonctionnement.

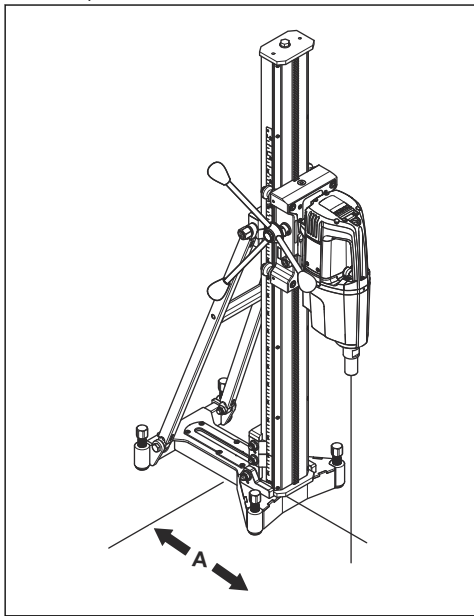
ou une vis d'ancrage qui convient à la contrainte.

Fixation du produit à l'aide d'un boulon d'expansion



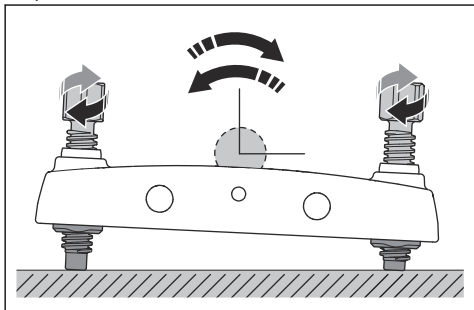
AVERTISSEMENT: L'installation du produit sur un plafond ou un mur exerce une contrainte importante sur la surface. Pour une utilisation sur les plafonds et les murs, utiliser uniquement un boulon d'expansion

1. Percer un trou pour le boulon d'expansion à une distance (A) de 400 mm/15,7 po à partir du centre du trou à percer.



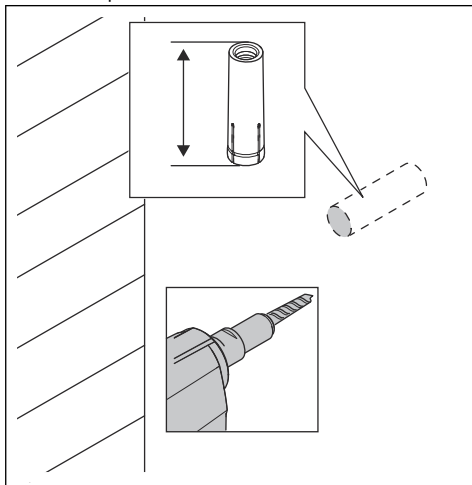
Remarque : La distance s'applique à un moteur de foret DM650 sans entretoise.

2. Fixer la plaque de fond à l'aide d'un boulon d'expansion.
3. S'assurer que le boulon d'expansion est bien serré.
4. Au besoin, ajuster la plaque de fond. Tourner les vis de réglage jusqu'à ce que la plaque de fond soit parallèle à la surface.

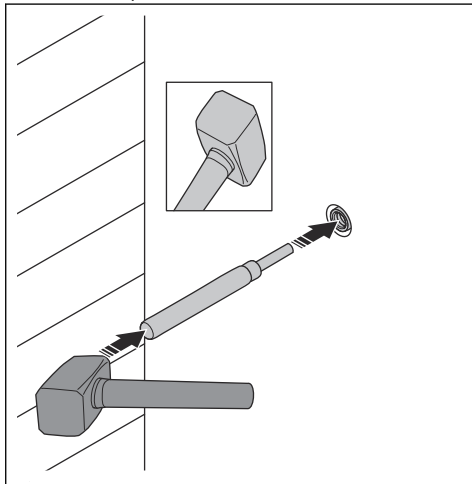


Pour fixer le boulon d'expansion

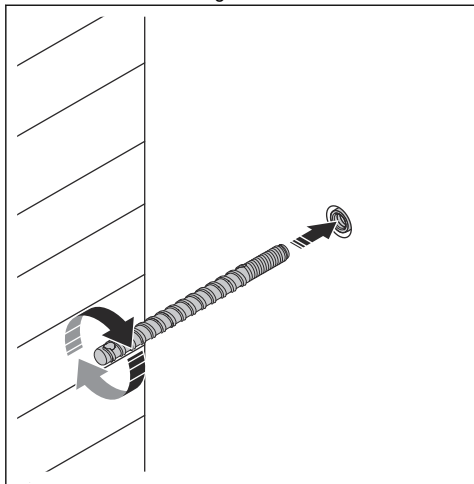
1. Percer un trou pour y insérer le boulon d'expansion. S'assurer que la profondeur est suffisante. La douille doit être placée sous la surface.



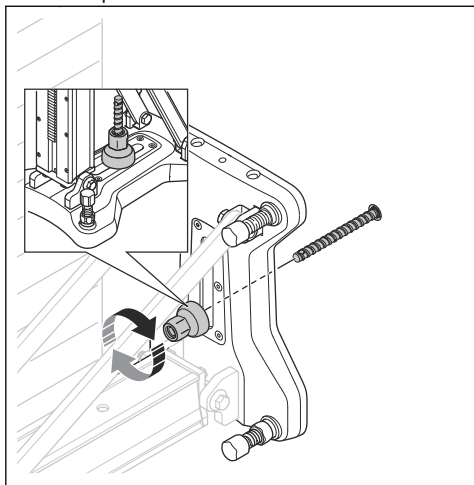
2. Utiliser le mandrin et un marteau pour installer le boulon d'expansion.



3. Installer la vis d'ancrage.



4. Fixer le produit à l'aide de l'écrou.



Installation du produit avec une tige entièrement filetée

- Utiliser une tige entièrement filetée pour installer le produit sur un mur ou un plafond.
- Utiliser une tige entièrement filetée lorsqu'il n'est pas possible d'utiliser un boulon d'expansion.
- Utiliser des rondelles et des écrous pour serrer la tige entièrement filetée.

Fonctionnement

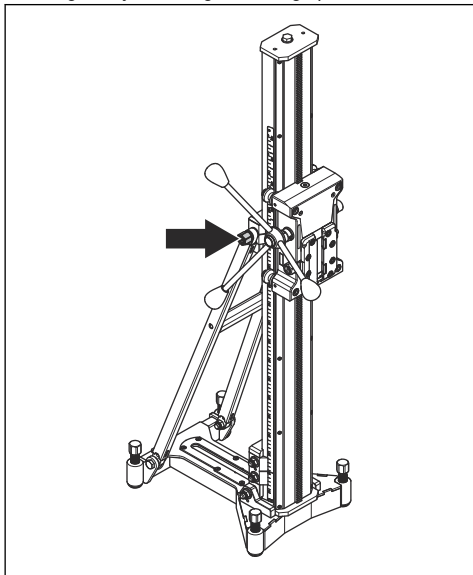
Avant d'utiliser le produit

- Lire attentivement le manuel d'utilisation et veiller à bien comprendre les directives.
- Lire attentivement le manuel d'utilisation du moteur de foret et veiller à bien comprendre les directives.
- Effectuer l'entretien quotidien. Se reporter à la section *Entretien quotidien* à la page 36.

Pour ajuster l'angle de la colonne de forage

La colonne de forage peut être inclinée de 0 à 60°.

1. Desserrez la vis de blocage qui bloque la colonne de forage et ajuster l'angle de forage pertinent.



- a) Utiliser l'indicateur d'angle pour effectuer un réglage approximatif. Si une plus grande précision est nécessaire, utiliser d'autres méthodes pour effectuer la mesure.
2. Serrer la vis de blocage de la colonne de forage.

Entretien

Introduction



AVERTISSEMENT: Lire et comprendre le chapitre sur la sécurité avant de faire l'entretien du produit.



AVERTISSEMENT: Pour éviter tout risque de blessure, débrancher le cordon d'alimentation avant de procéder à l'entretien.

Entretien quotidien

- S'assurer que les vis et écrous sont bien serrés.
- Nettoyer les surfaces externes.
- S'assurer que le levier d'alimentation se déplace sans résistance.
- S'assurer que les engrenages se déplacent facilement et sans bruit.
- Examiner la colonne de forage pour y déceler de l'usure ou des dommages.
- S'assurer que le chariot du moteur de foret se déplace facilement et qu'il n'y a pas de jeu contre la colonne de forage.

Nettoyage et lubrification du produit



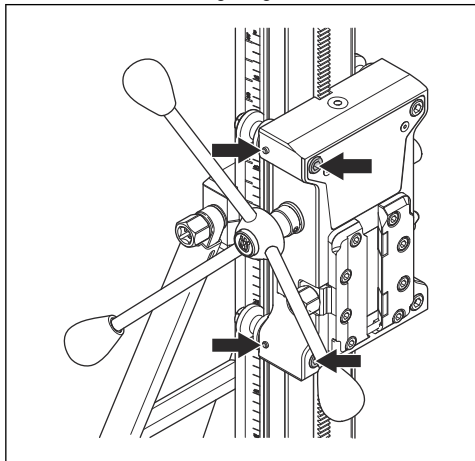
MISE EN GARDE : Si on ne nettoie pas le support de forage, il risque d'être endommagé.

1. Retirer le moteur de foret.
2. Nettoyer le produit à l'aide d'une laveuse haute pression, puis l'assécher à l'aide d'un chiffon sec.
3. Lubrifier les pièces mobiles du produit. Graisser les surfaces de contact pour éviter la corrosion.

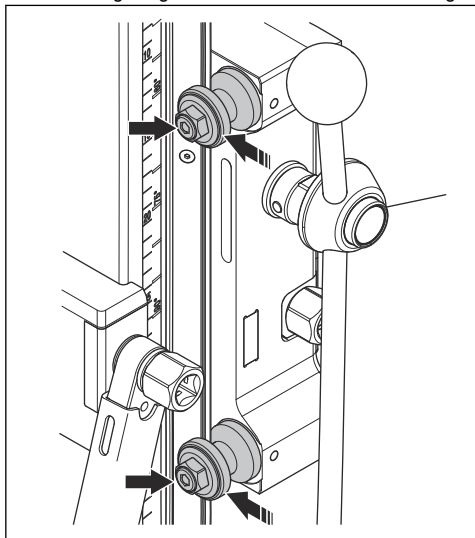
Pour régler le chariot du moteur de foret

S'il y a un jeu entre la colonne de forage et le chariot du moteur de foret, le chariot du moteur de foret doit être ajusté.

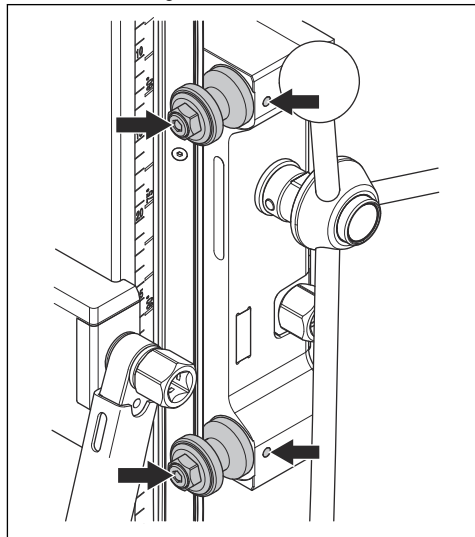
1. Desserrer les 2 vis à tête hexagonale et les 2 vis de butée des 2 roues de guidage.



2. Tourner les arbres porte-galet jusqu'à ce que les roues de guidage soient contre la colonne de forage.

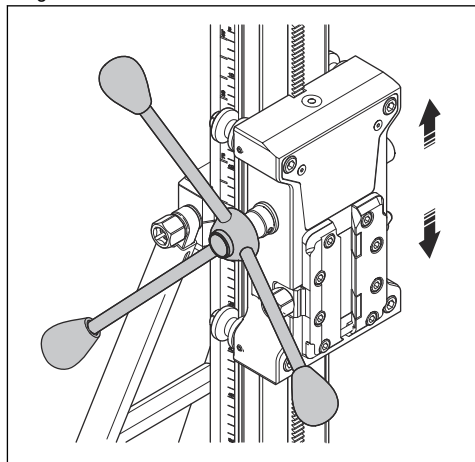


3. Garder la roue de guidage à cette position et serrer les vis de blocage.

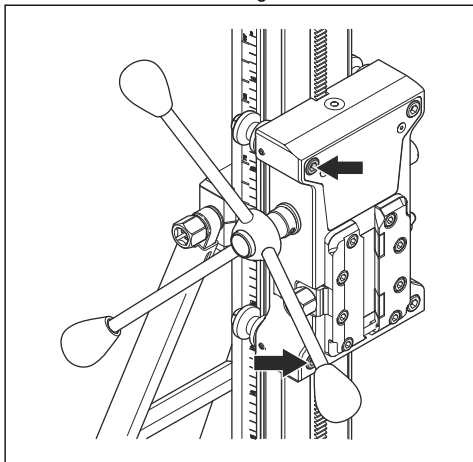


Remarque : Après avoir serré les arbres porte-galet, on doit pouvoir les faire tourner avec le levier d'alimentation, mais non à la main.

4. Utiliser le levier d'alimentation pour déplacer le chariot du moteur de foret vers le haut et vers le bas. S'assurer que le chariot du moteur de foret se déplace sans à-coups sur la colonne de forage. Les arbres porte-galet doivent tourner et ne pas bouger. Si nécessaire, régler à nouveau les arbres porte-galet.



5. Serrer les 2 vis à tête hexagonale.



Transport et entreposage

- Immobiliser le produit en sécurité pendant le transport pour éviter tout dommage ou accident.
- Utiliser les roues de transport en option pour transporter le produit quand le moteur de foret y est fixé.
- Pour le transport sans roues de transport, il est nécessaire de retirer le moteur de foret du produit, car le poids total excède 25 kg.
- Garder le produit dans un endroit verrouillé hors de portée des enfants et des personnes non autorisées.
- Conserver le produit dans un endroit sec à l'abri du gel.

Données techniques

Données techniques

Dimensions	
Hauteur, mm/po	1300/51,2
Largeur, mm/po	300/11,8
Profondeur, mm/po	448/17,6
Poids, kg/lb	24/53
Longueur de course, mm/po	950/37,4
Charge max. (sur la poignée), kg/lb	150/330
Angle de la colonne de forage	0 à 60°
Diamètre de foret max. avec entretoise, mm/po.	900/35,4
Diamètre de foret max. sans entretoise, mm/po.	500/19,7 (DM406)

Service

Centre de service agréé

Pour trouver le centre de service approuvé Husqvarna Construction Products le plus près, consulter le site Web .



www.husqvarnacp.com

Original instructions
Instrucciones originales
Instructions d'origine

1142108-49



2019-10-21