

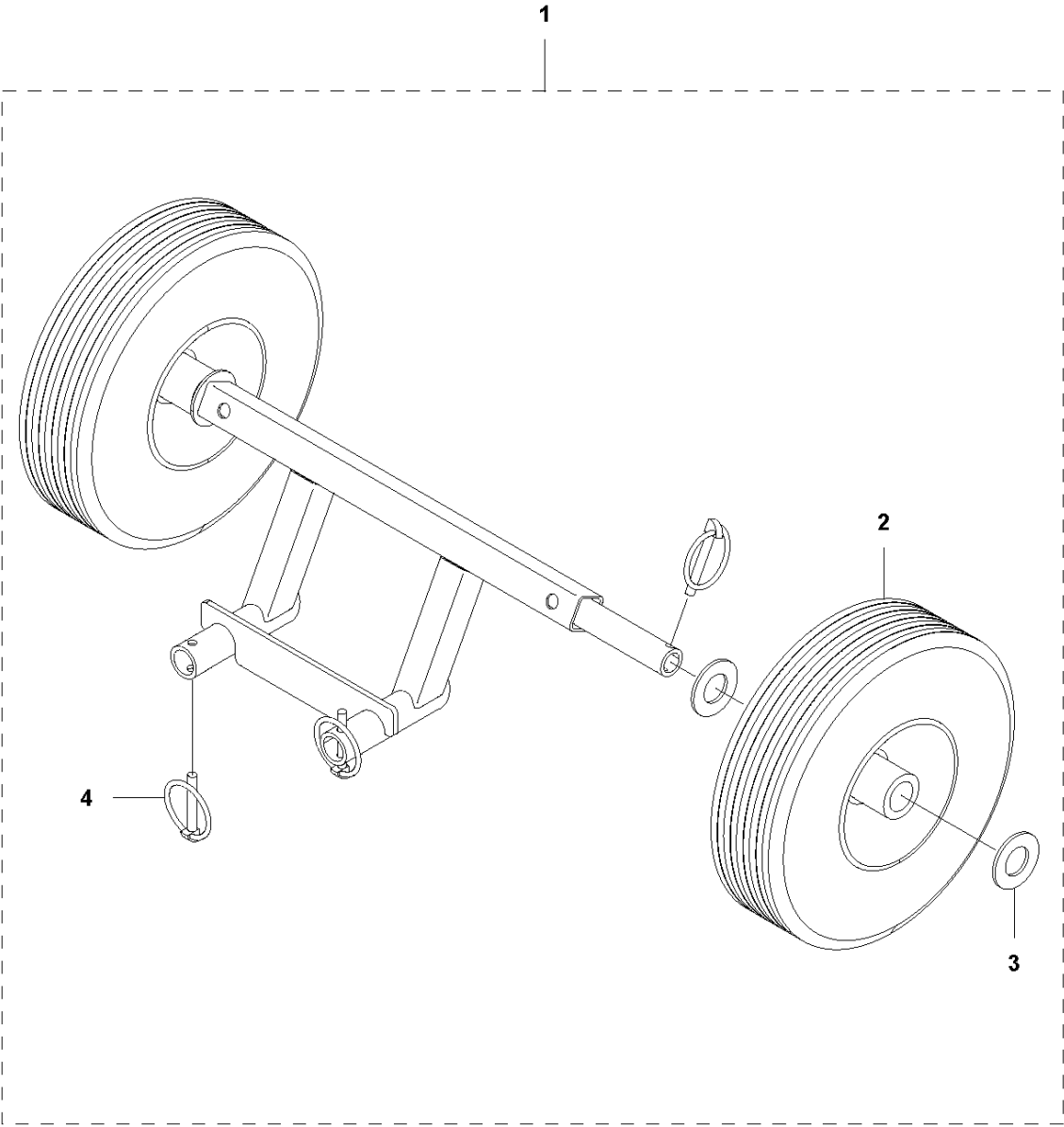


SPARE PARTS LIST

DRILLING EQUIPMENT

DS900, 2015-01

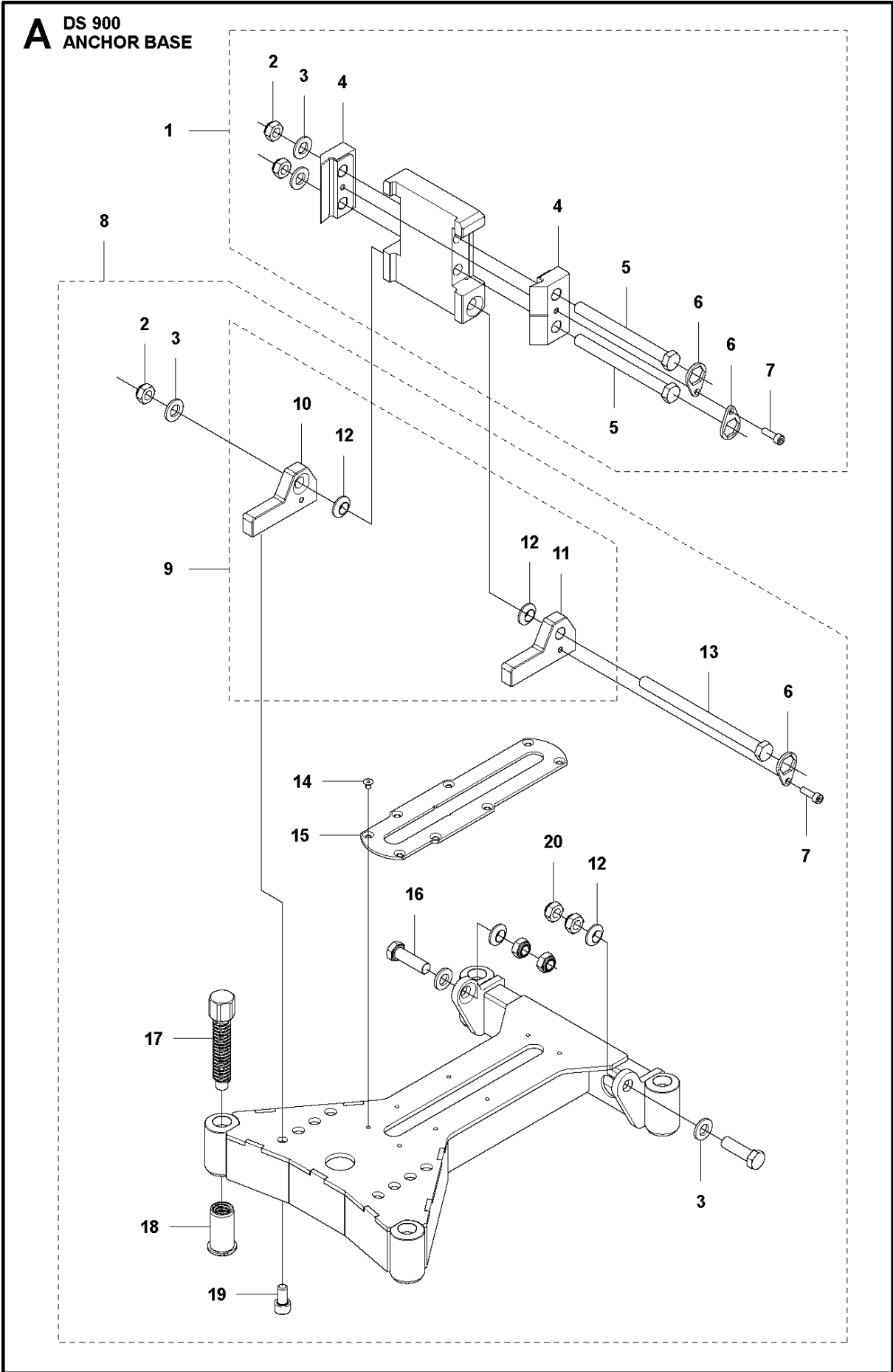
E DS 900
ACCESSORIES



ACCESSORIES

DS900, 2015-01

| Ref | Part No | Description | Remark | QTY KIT | |
|-----|--------------|-------------|--------|---------|---|
| 1 | 587 08 81-01 | WHEEL | | 1 | |
| 2 | 531 14 06-24 | WHEEL | | 2 | 1 |
| 3 | 531 14 06-27 | WASHER | | 4 | 1 |
| 4 | 531 14 06-23 | PEN | | 4 | 1 |

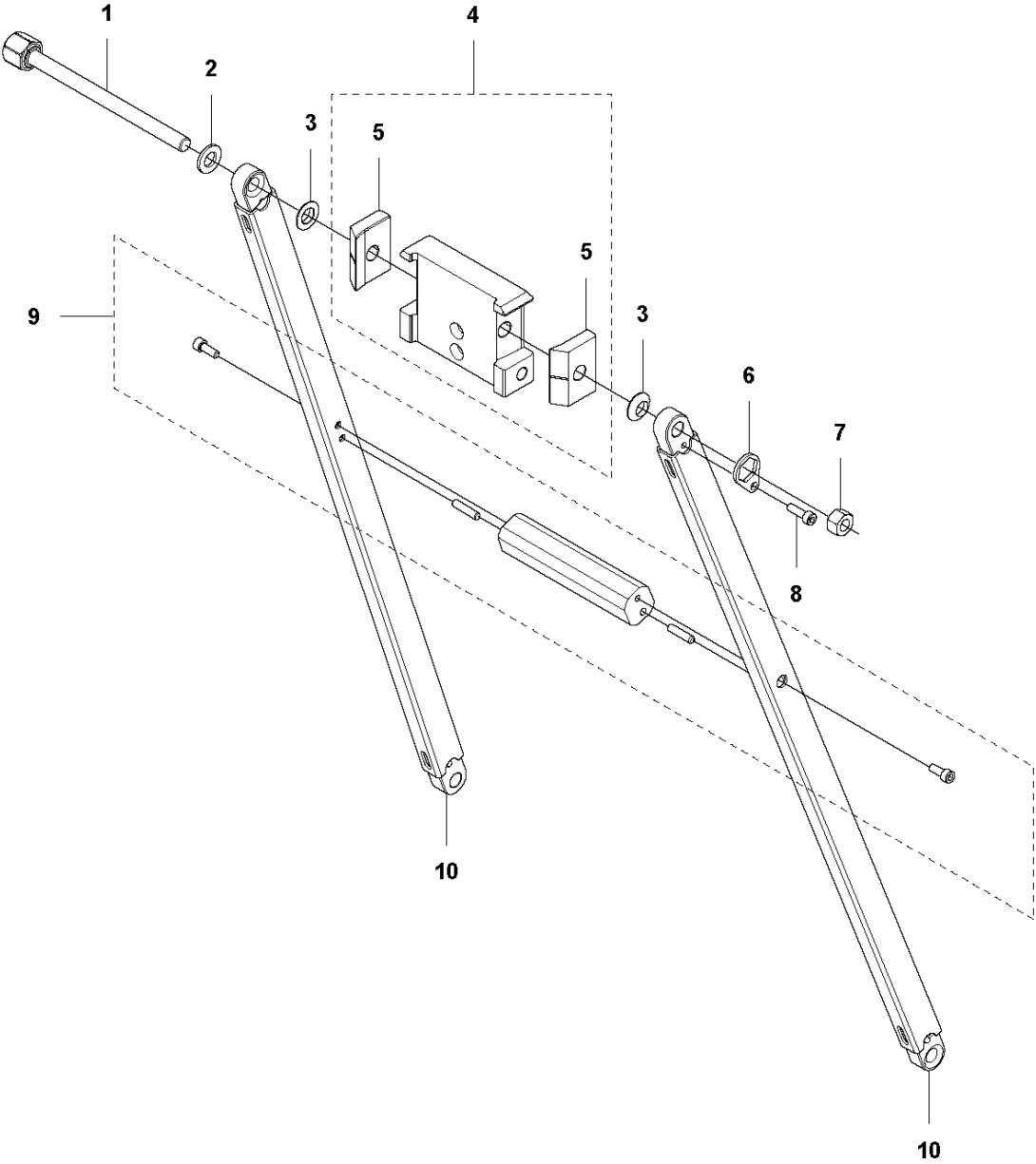


ANCHOR BASE

DS900, 2015-01

| Ref | Part No | Description | Remark | QTY | KIT |
|-----|--------------|---------------------|--------|-----|-----|
| 1 | 586 66 09-01 | HOLDER | | 1 | |
| 2 | 732 25 22-71 | HEXAGON LOCKING NUT | | 3 | 1 |
| 3 | 734 11 78-01 | WASHER | | 5 | 1 |
| 4 | 586 62 54-01 | CLAMP | | 2 | 1 |
| 5 | 725 25 58-51 | SCREW EHHM | | 2 | 1 |
| 6 | 586 62 55-02 | LOCKING PLATE | | 2 | 1 |
| 7 | 725 53 68-01 | SCREW IHSCM | | 2 | 1 |
| 8 | 586 88 00-01 | BASEPLATE | | 1 | |
| 9 | 586 88 01-01 | ATTACHMENT | | 1 | 8 |
| 10 | 586 62 57-01 | HINGE PLATE | | 1 | 8,9 |
| 11 | 586 62 57-02 | HINGE PLATE | | 1 | 8,9 |
| 12 | 586 62 56-01 | BOSS | | 4 | 8,9 |
| 13 | 586 98 99-01 | SCREW EHHM | | 1 | 8 |
| 14 | 725 62 92-01 | SCREW IHCSFM | | 8 | 8 |
| 15 | 586 62 42-01 | SUPPORT PLATE | | 1 | 8 |
| 16 | 725 25 41-71 | SCREW EHHM | | 2 | 8 |
| 17 | 541 40 50-50 | LEVELING SCREW | | 1 | 8 |
| 18 | 541 40 50-51 | BUSHING | | 1 | 8 |
| 19 | 725 54 91-01 | SCREW IHSCM | | 8 | 8 |
| 20 | 731 43 22-01 | HEXAGON THIN NUT | | 2 | 8 |

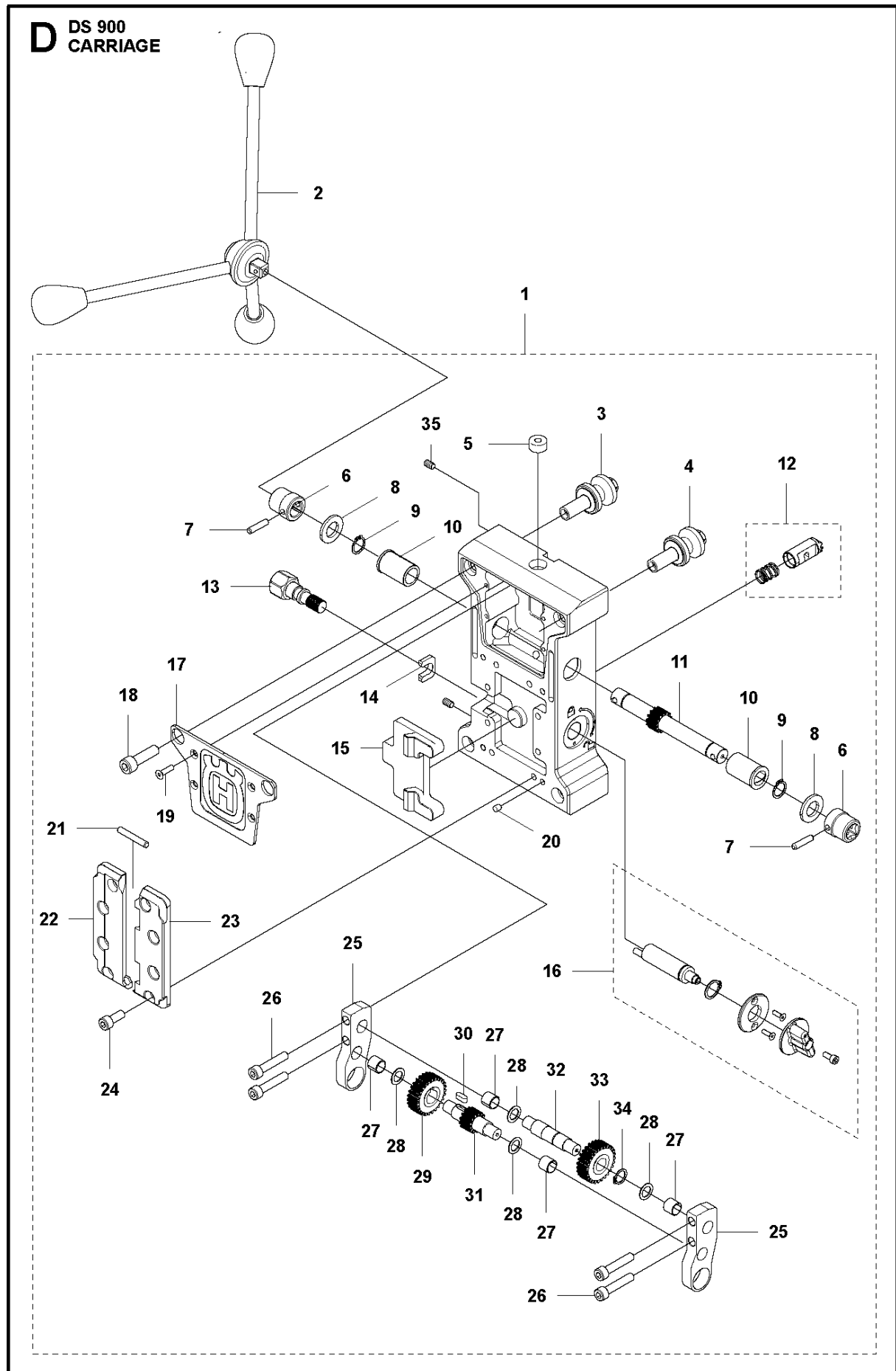
B DS 900
BACK SUPPORT



BACK SUPPORT

DS900, 2015-01

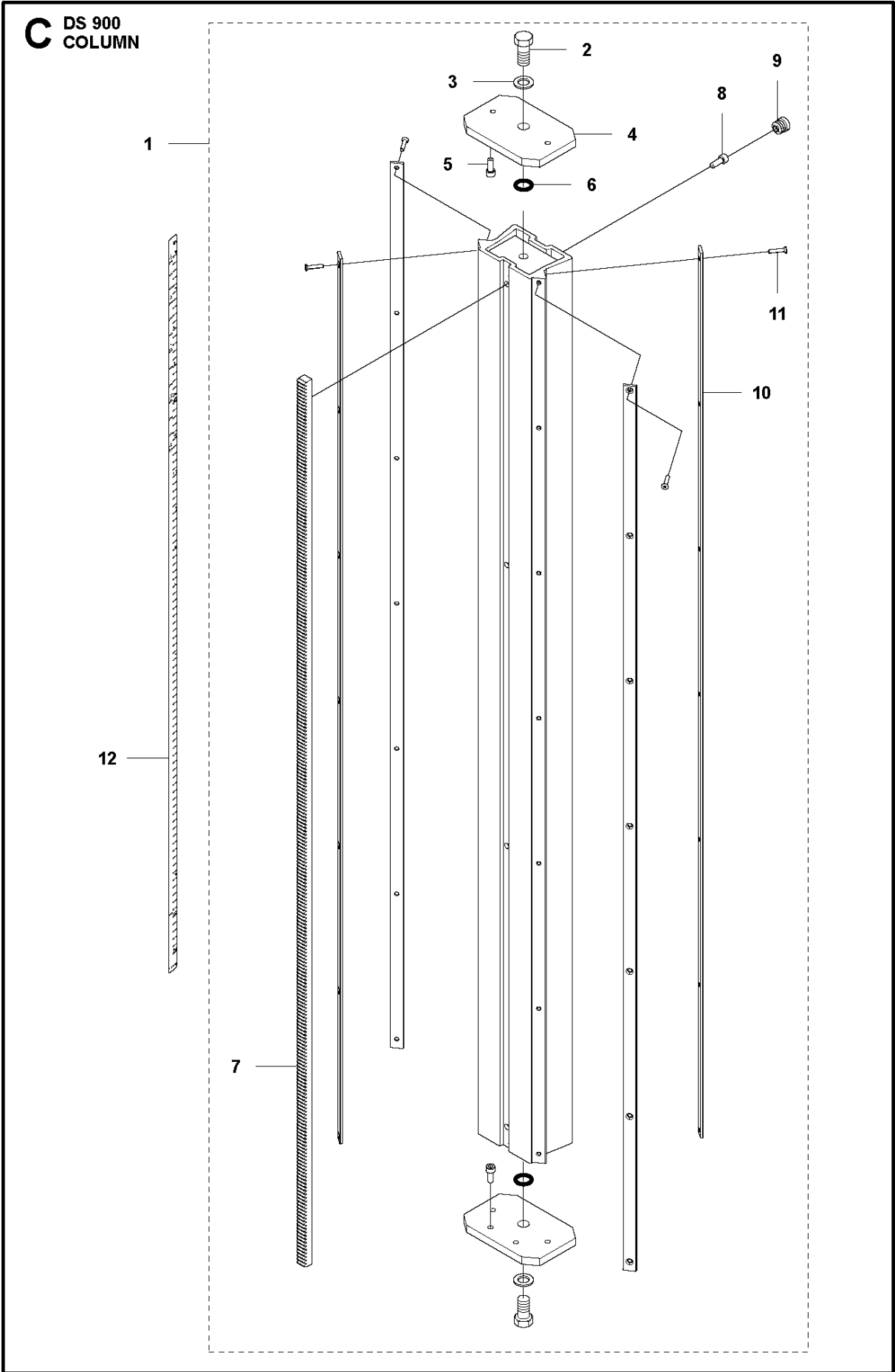
| Ref | Part No | Description | Remark | QTY KIT |
|-----|--------------|---------------|--------|---------|
| 1 | 587 08 00-01 | SCREW | | 1 |
| 2 | 734 11 78-01 | WASHER | | 1 |
| 3 | 587 08 12-01 | WASHER | | 2 |
| 4 | 586 66 10-01 | HOLDER | 4 | 1 |
| 5 | 586 62 59-01 | CLAMP | | 2 |
| 6 | 586 62 55-01 | LOCKING PLATE | | 1 |
| 7 | 731 23 22-55 | HEXAGON NUT | | 1 |
| 8 | 725 53 68-01 | SCREW IHSCM | | 1 |
| 9 | 586 88 48-01 | HANDLE KIT | | 1 |
| 10 | 586 62 61-01 | SUPPORT ASSY | | 2 |



CARRIAGE

DS900, 2015-01

| Ref | Part No | Description | Remark | QTY | KIT |
|-----|--------------|-----------------------------|----------------|-----|-----|
| 1 | 586 66 52-01 | CARRIAGE | | 1 | |
| 2 | 541 40 50-39 | HANDLE | | 1 | |
| 3 | 586 90 41-01 | WHEEL KIT | Screw included | 1 | 1 |
| 4 | 586 90 42-01 | WHEEL KIT | Screw included | 1 | 1 |
| 5 | 531 14 08-97 | AKRYLLIBELL LITEN | | 1 | 1 |
| 6 | 504 90 83-09 | SHREDDER CASE | | 2 | 1 |
| 7 | 720 18 28-51 | PARALLEL PIN | | 2 | 1 |
| 8 | 734 11 86-01 | WASHER | | 2 | 1 |
| 9 | 735 31 18-01 | CIRCLIP | | 2 | 1 |
| 10 | 586 67 27-01 | BEARING | | 2 | 1 |
| 11 | 586 67 32-01 | DRIVE SHAFT | | 1 | 1 |
| 12 | 586 88 50-01 | LOCK | | 1 | 1 |
| 13 | 541 40 50-06 | QUICK ATTACH: BOLT | | 1 | 1 |
| 14 | 541 40 50-27 | QUICK ATTACH: BOLT RETAINER | | 1 | 1 |
| 15 | 584 97 30-01 | LOCKING PLATE | | 1 | 1 |
| 16 | 586 88 51-01 | LOCK | | 1 | 1 |
| 17 | 586 67 34-01 | COVER PLATE | | 1 | 1 |
| 18 | 725 54 97-01 | SCREW IHSCM | | 4 | 1 |
| 19 | 725 63 23-01 | SCREW IHCSFM | | 4 | 1 |
| 20 | 720 13 47-51 | PARALLEL PIN | | 4 | 1 |
| 21 | 720 13 61-51 | HARDENED DOWEL PIN | | 1 | 1 |
| 22 | 541 40 50-05 | QUICK ATTACH: RIGHT PLATE | | 1 | 1 |
| 23 | 541 40 50-04 | QUICK ATTACH: LEFT PLATE | | 1 | 1 |
| 24 | 725 54 51-01 | SCREW IHSCM | | 8 | 1 |
| 25 | 586 67 26-01 | BRACKET | | 2 | 1 |
| 26 | 725 54 59-01 | SCREW IHSCM | | 4 | 1 |
| 27 | 506 11 05-01 | BEARING | | 4 | 1 |
| 28 | 586 73 12-01 | SHIM | | 4 | 1 |
| 29 | 586 67 33-01 | GEAR WHEEL | | 1 | 1 |
| 30 | 586 73 18-01 | PARALLEL KEY | | 1 | 1 |
| 31 | 586 67 30-01 | SHAFT | | 1 | 1 |
| 32 | 586 67 31-01 | SHAFT | | 1 | 1 |
| 33 | 586 67 29-01 | GEAR WHEEL | | 1 | 1 |
| 34 | 735 31 16-00 | CIRCLIP | 1 | 1 | |
| 35 | 587 15 97-01 | SCREW | 1 | 2 | |



| Ref | Part No | Description | Remark | QTY KIT |
|-----|--------------|-------------------------|--------|---------|
| 1 | 531 11 30-45 | TRACK | 1,2 m | 1 |
| 1 | 531 11 30-46 | TRACK | 2,0 m | 1 |
| 1 | 531 11 30-47 | TRACK | 2,2 m | 1 |
| 2 | 531 11 92-03 | SCREW | | 2 |
| 3 | 531 11 91-83 | WASHER | | 2 |
| 4 | 531 12 20-70 | END PLATE | | 2 |
| 5 | 725 53 64-01 | SCREW IHSCM | | 4 |
| 6 | 740 43 07-00 | O-RING | | 2 |
| 7 | 531 12 20-28 | GEAR RACK 1,2 M | 1,2 m | 1 |
| 7 | 531 12 20-27 | GEAR RACK 2,0 M | 2,0 m | 1 |
| 7 | 531 12 21-24 | GEAR RACK 2,2M | 2,2 m | 1 |
| 8 | 725 53 64-01 | SCREW IHSCM | 1,2 m | 4 |
| 8 | 725 53 64-01 | SCREW IHSCM | 2,0 m | 6 |
| 8 | 725 53 64-01 | SCREW IHSCM | 2,2 m | 7 |
| 9 | 531 11 91-52 | RUBBER PLUG | 1,2 m | 4 |
| 9 | 531 11 91-52 | RUBBER PLUG | 2,0 m | 6 |
| 9 | 531 11 91-52 | RUBBER PLUG | 2,2 m | 7 |
| 10 | 531 12 20-44 | GUIDE | 1,2 m | 4 |
| 10 | 531 12 20-43 | GUIDE TRACK SECTION 2.0 | 2,0 m | 4 |
| 10 | 531 12 21-25 | GUIDE | 2,2 m | 4 |
| 11 | 531 11 93-50 | SCREW | 1,2 m | 28 |
| 11 | 531 11 93-50 | SCREW | 2,0 m | 44 |
| 11 | 531 11 93-50 | SCREW | 2,2 m | 48 |
| 12 | 586 62 65-01 | DECAL | | 1 |