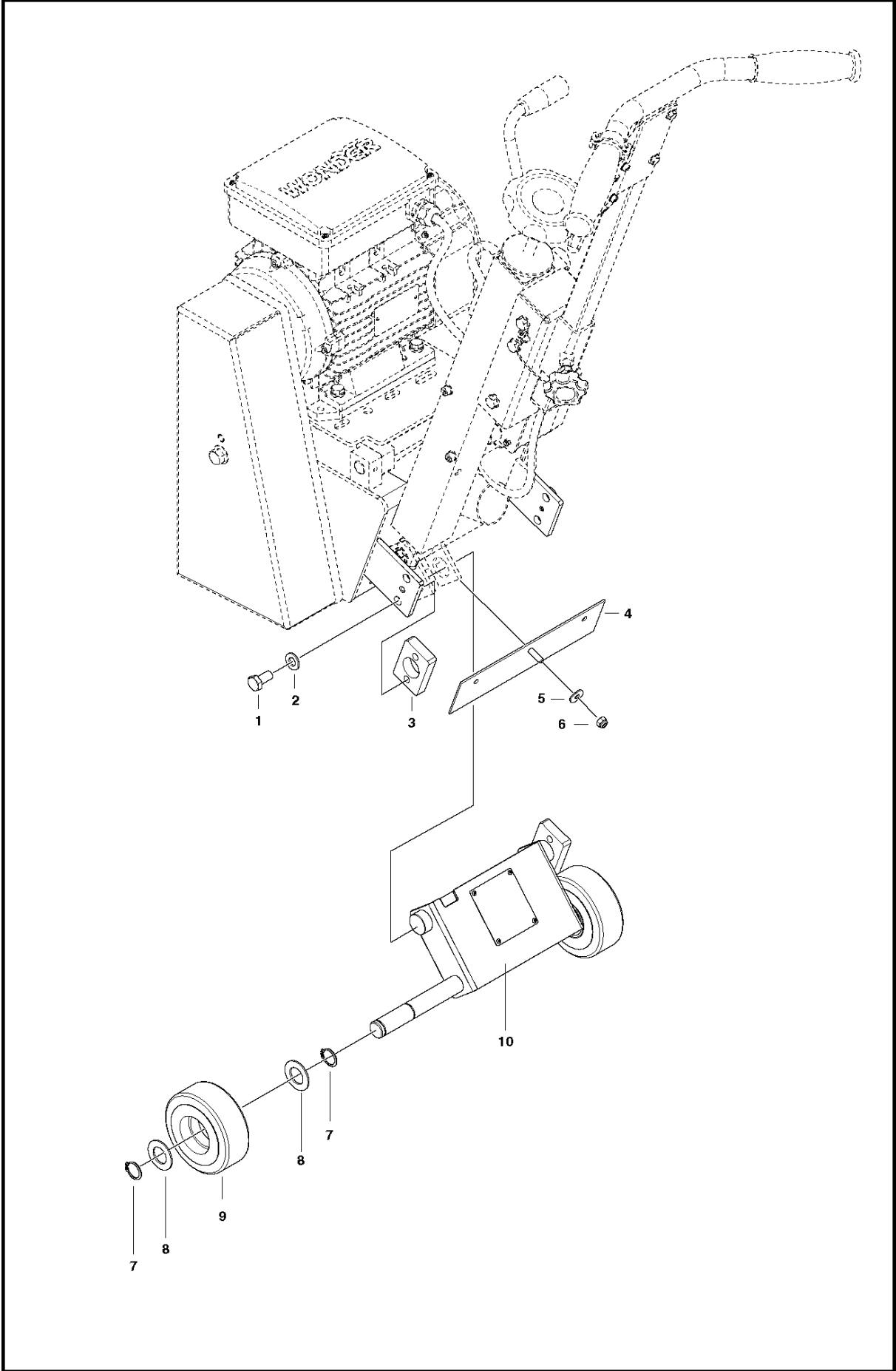




# SPARE PARTS LIST

SURFACE PREPARATION EQUIPMENT

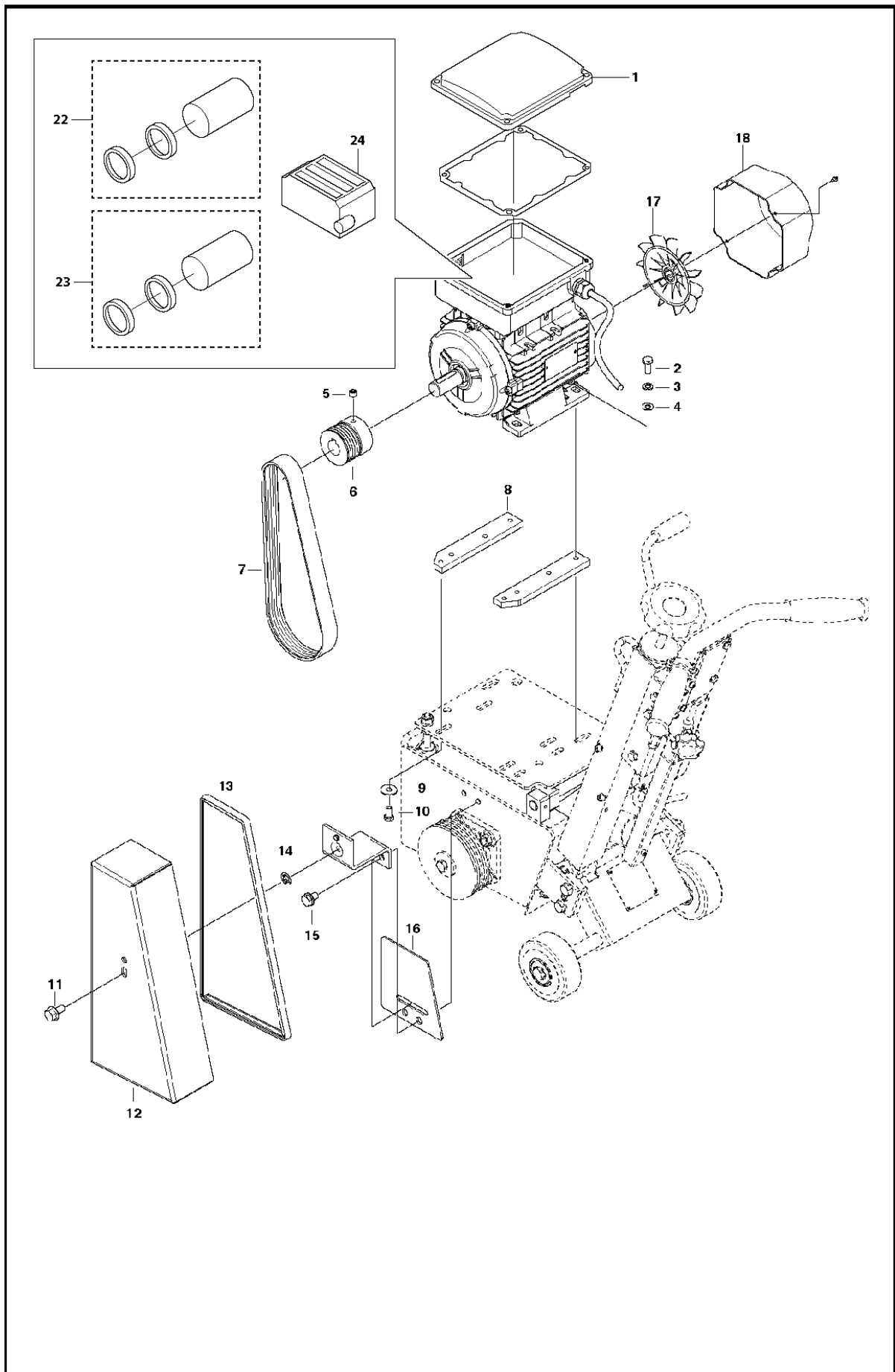
CG 200, 2017-10



## WHEELS &amp; TIRES

CG 200, 2017-10

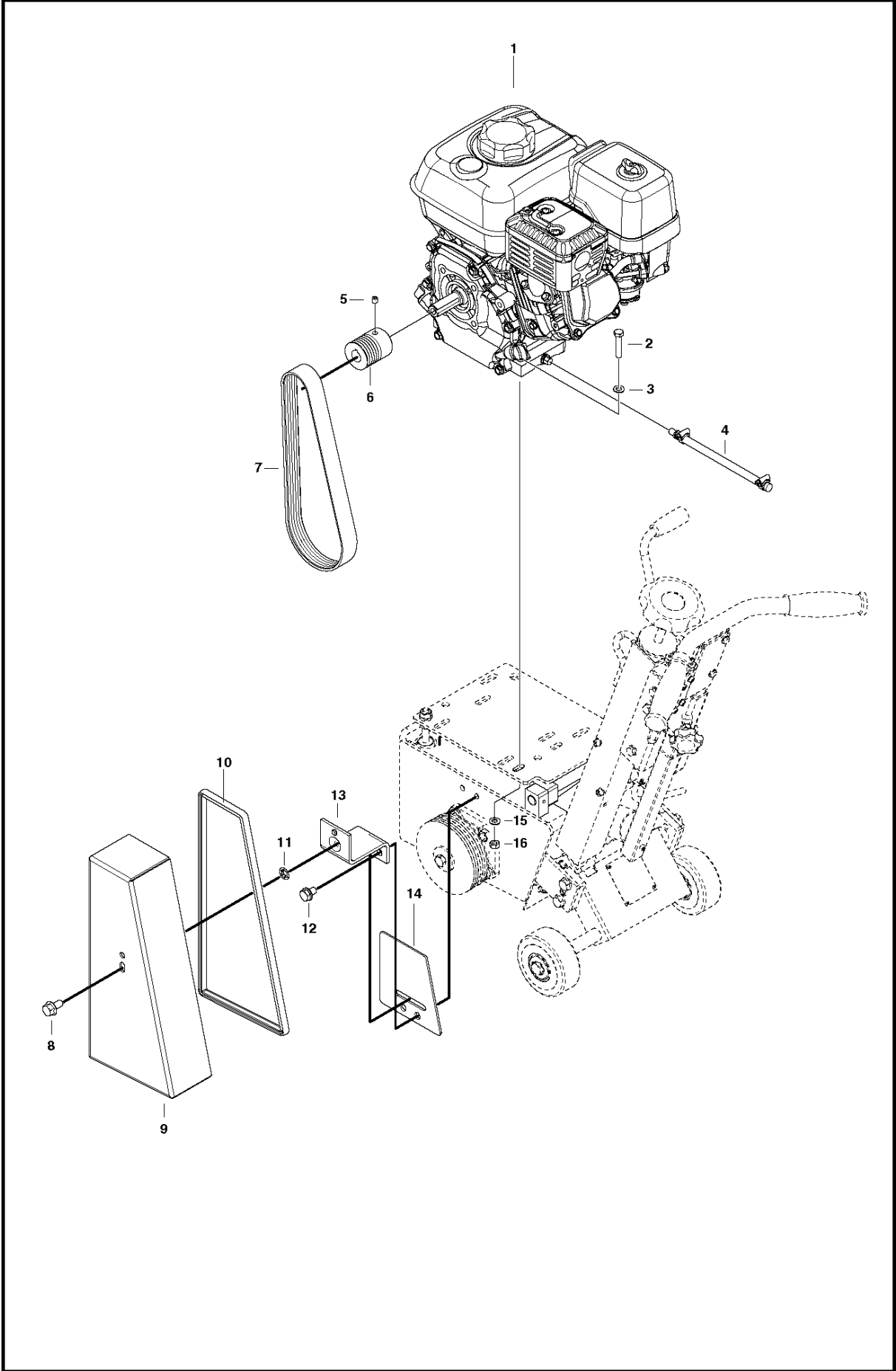
Ref	Part No	Description	Remark	QTY KIT
1	725 24 91-71	SCREW EHHM		4
2	734 11 72-01	WASHER		4
3	543 04 19-59	CLAMP		2
4	589 39 57-01	SPLASH GUARD		1
5	734 11 54-41	WASHER		3
6	732 25 16-01	HEXAGON LOCKING NUT		3
7	735 31 22-00	CIRCLIP		3
8	543 85 00-25	WASHER		4
9	543 04 59-48	WHEEL		2
10	589 38 22-01	WHEEL BRACKET		1
10	589 38 22-02	WHEEL BRACKET	HDX	1



## ENGINE

CG 200, 2017-10

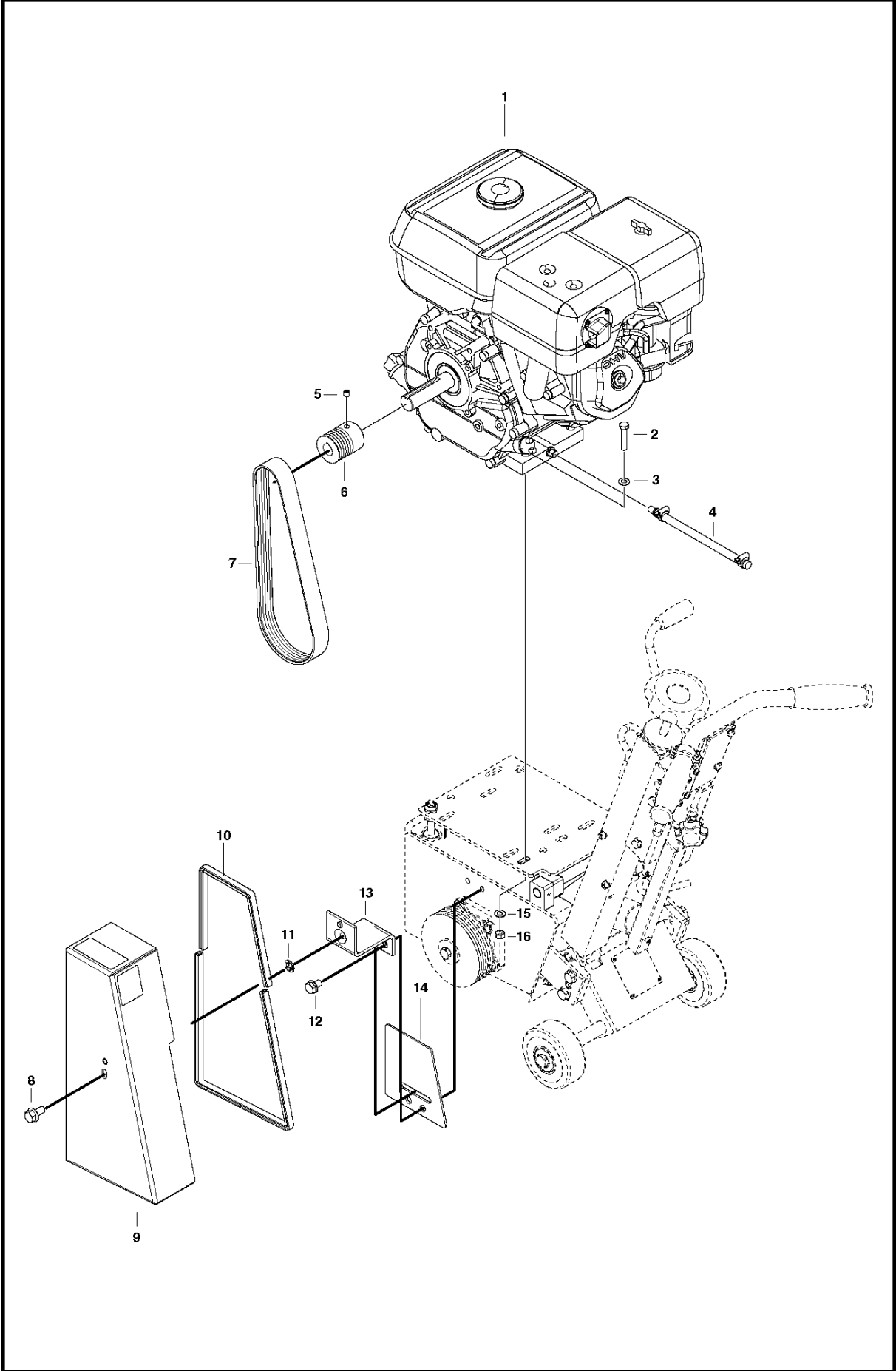
Ref	Part No	Description	Remark	QTY	KIT
1	589 89 76-01	MOTOR	electric	1	
2	725 24 51-71	SCREW EHHM		4	
3	735 11 64-01	SPRING WASHER		4	
4	734 11 63-01	WASHER		4	
5	728 74 43-06	SCREW IHSETM		1	
6	589 39 42-01	PULLEY		1	
7	589 39 43-01	BELT		1	
8	589 39 41-01	SPACER		2	
8	589 39 41-02	SPACER	HDX	2	
9	734 11 65-41	WASHER		4	
10	725 24 49-71	SCREW EHHM		4	
11	585 97 52-01	SCREW EHHFM		1	
12	589 39 44-01	BELT GUARD		1	
12	589 39 44-02	BELT GUARD	HDX	1	
13	589 39 45-01	SEALING STRIP		1	
14	591 42 65-01	WASHER		1	
15	725258971	TBD		2	
16	589 37 50-01	PROTECTIVE PLATE		1	
16	589 37 50-02	PROTECTIVE PLATE	HDX	1	
17	589 23 45-02	FAN		1	
18	596 81 90-01	COVER		1	
22	597 31 24-01	SERVICE KIT		1	22
23	597 31 25-01	SERVICE KIT		1	23
24	597 31 27-01	SWITCH		1	



## ENGINE

CG 200, 2017-10

Ref	Part No	Description	Remark	QTY KIT
1	542 17 30-98	ENGINE	5,5HP	1
2	725 24 59-51	SCREW EHHM		4
3	734 11 63-01	WASHER		4
4	590 77 78-01	HOSE ASSY		1
5	728 74 43-06	SCREW IHSETM		1
6	589 57 03-01	PULLEY		1
7	589 39 43-01	BELT		1
8	585 97 52-01	SCREW EHHFM		1
9	589 39 44-01	BELT GUARD		1
9	589 39 44-02	BELT GUARD	HDX	1
10	589 39 45-01	SEALING STRIP		1
11	591 42 65-01	WASHER		1
12	725 24 89-71	SCREW EHHM		2
13	589 37 51-01	SUPPORT SHEET		1
14	589 37 50-01	PROTECTIVE PLATE		1
15	734 11 72-01	WASHER		4
16	731 23 18-01	HEXAGON NUT		4

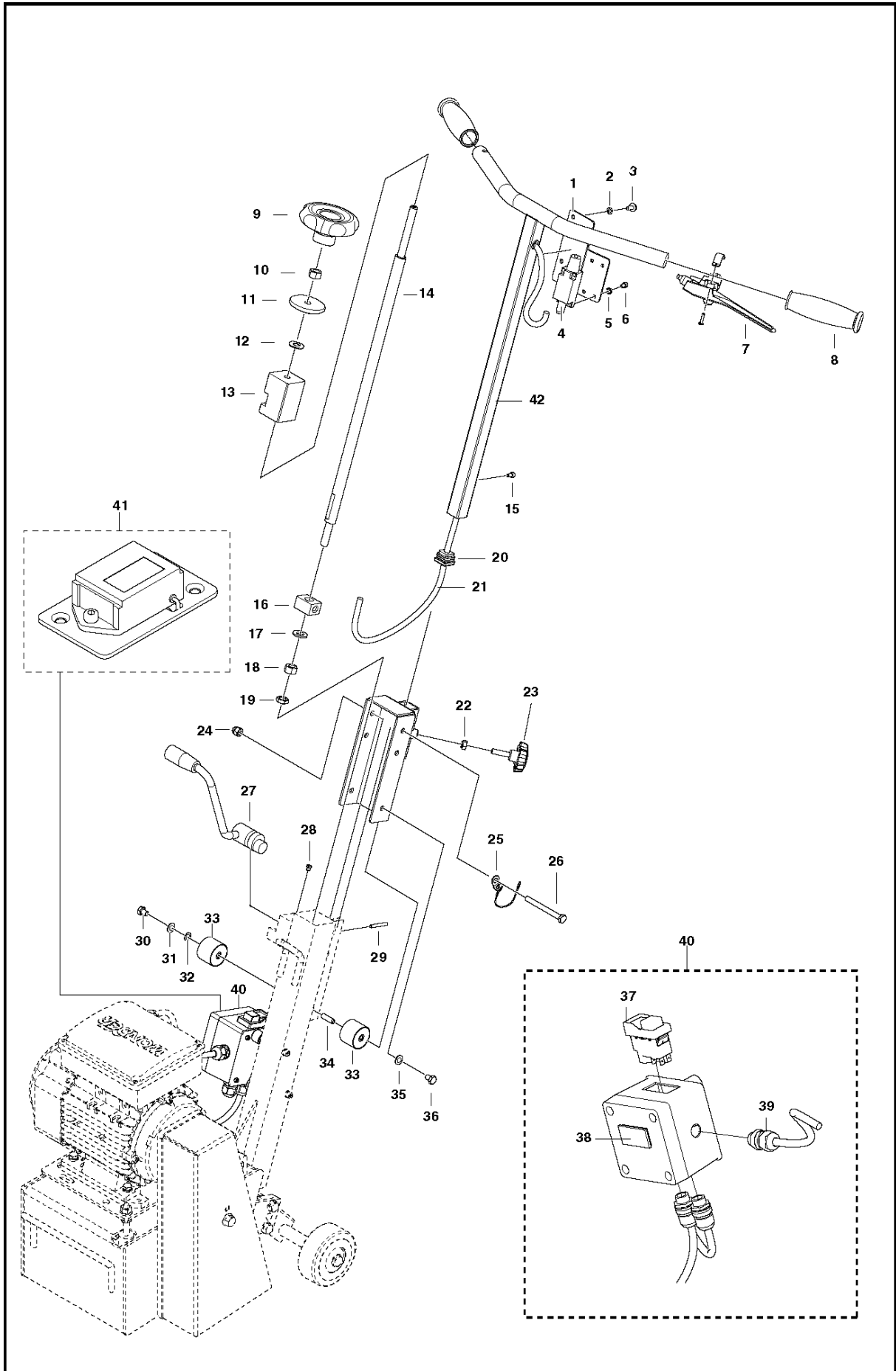




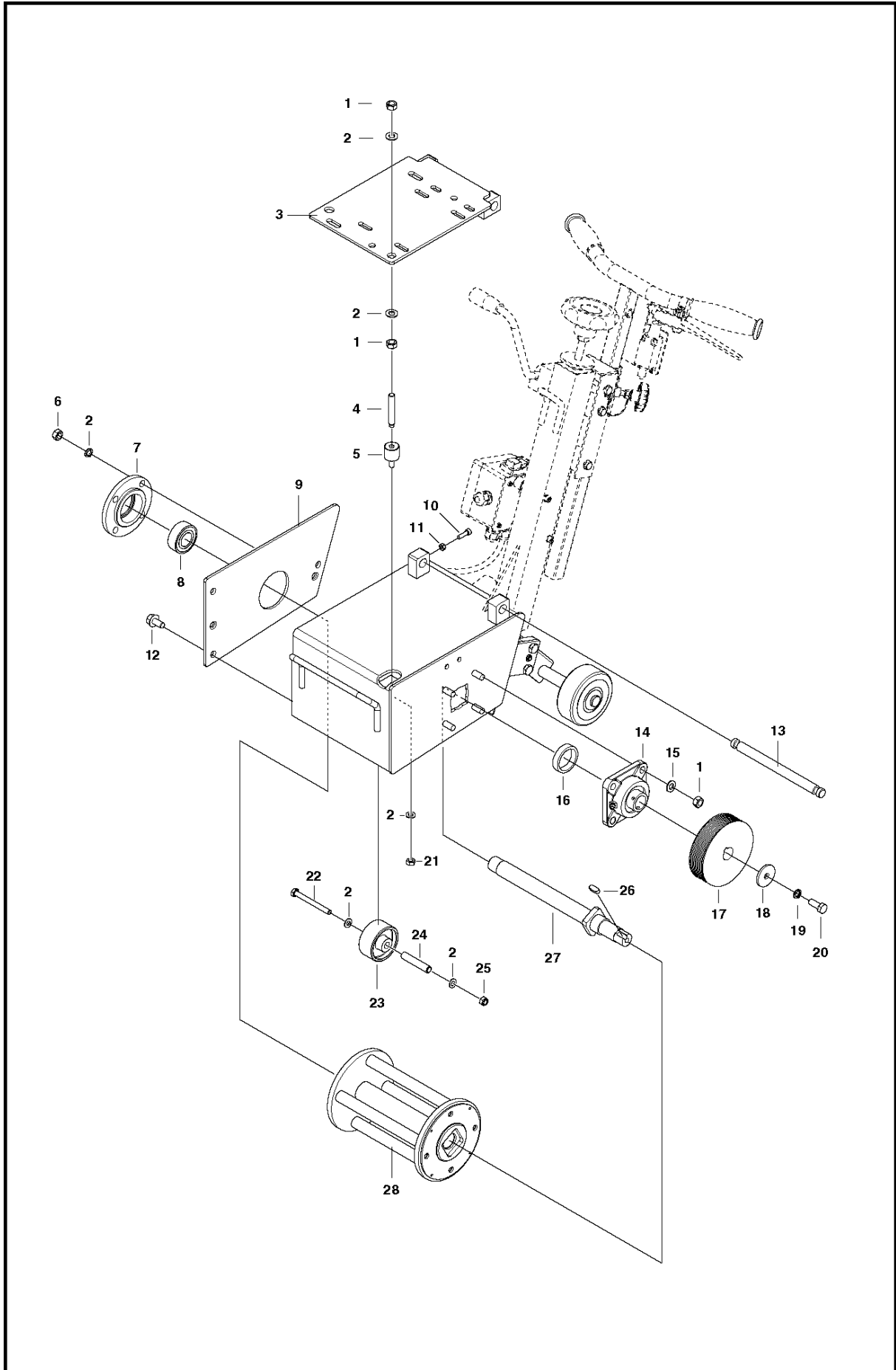
## ENGINE

CG 200, 2017-10

Ref	Part No	Description	Remark	QTY KIT
1	590 15 95-01	ENGINE	9HP	1
2	725 24 59-51	SCREW EHHM		4
3	734 11 63-01	WASHER		4
4	591 17 05-01	HOSE ASSY		1
5	728 74 43-06	SCREW IHSETM		1
6	589 57 04-01	PULLEY		1
7	589 52 83-01	BELT		1
8	585 97 52-01	SCREW EHHFM		1
9	589 52 84-01	BELT GUARD		1
10	589 39 45-01	SEALING STRIP		1
11	591 42 65-01	WASHER		1
12	725 24 89-71	SCREW EHHM		2
13	589 37 51-01	SUPPORT SHEET		1
14	590 05 88-01	PROTECTIVE PLATE		1
15	734 11 72-01	WASHER		4
16	731 23 20-01	HEXAGON NUT		4



Ref	Part No	Description	Remark	QTY KIT
1	589 39 45-01	SEALING STRIP	Only electric verison	1
2	735 21 53-01	LOCKWASHER	Only electric verison	1
3	591 46 85-01	SCREW	Only electric verison	1
4	590 18 13-01	MICRO SWITCH	Only electric verison	1
5	735 21 46-01	LOCKWASHER	Only electric verison	1
6	725 53 27-01	SCREW IHSCM	Only electric verison	1
7	592 63 90-01	HANDLE KIT		1
8	542 13 95-68	GRIP		2
9	589 37 81-01	KNOB		1
10	731 23 22-01	HEXAGON NUT		1
11	589 37 76-01	NUT		1
12	587 10 84-01	SPRING		1
13	589 37 55-01	ADJUSTER		1
14	589 37 32-01	SPINDLE		1
15	725 53 25-01	SCREW IHSCM		1
16	589 37 41-01	BRACKET		1
17	734 11 78-60	WASHER		1
18	731 23 22-01	HEXAGON NUT		1
19	731 43 22-01	HEXAGON THIN NUT		1
20	589 40 12-01	CAP		2
21	591 09 03-01	CABLE		1
22	732 25 18-01	HEXAGON LOCKING NUT		1
23	585 59 50-01	KNOB		1
24	586 58 83-01	CAP NUT		1
25	591 42 62-01	WIRE		1
26	725 24 67-51	SCREW EHHM		1
27	589 52 69-01	HANDLE ASSY		1
28	589 66 97-01	LUBRICATION NIPPLE		1
29	721 43 15-00	SPRING PIN		1
30	725 24 45-71	SCREW EHHM		1
31	734 11 65-41	WASHER		1
33	510 21 31-01	DAMPER		4
34	728 74 53-05	SCREW IHSETM		2
35	735 21 64-01	LOCKWASHER		1
36	725 24 45-71	SCREW EHHM		1
37	590 11 08-01	MAIN SWITCH		1
38	584 29 63-01	HOUR METER		1
39	522 66 03-01	GROMMET		3
40	590 59 85-01	ELECTRONIC BOX		1
41	590 71 63-01	HOUR METER		1
42	589 39 63-01	HANDLEBAR ASSY		1



Ref	Part No	Description	Remark	QTY KIT
1	731 23 20-01	HEXAGON NUT		6
2	734 11 63-01	WASHER		5
3	589 37 53-01	ENGINE PLATE		1
3	589 37 53-02	ENGINE PLATE	HDX	1
4	589 38 08-01	SCREW		2
5	589 37 47-01	DAMPER		2
6	731 23 20-01	HEXAGON NUT		4
7	589 38 69-01	BEARING SUPPORT		1
8	589 59 05-01	BEARING		1
9	590 45 63-01	PLATE		1
9	590 45 63-02	PLATE	HDX	1
10	725 53 70-01	SCREW IHSCM		2
11	731 23 16-01	HEXAGON NUT		2
12	585 97 52-01	SCREW EHHFM		3
13	589 37 46-01	SHAFT		1
14	589 38 70-01	BEARING UNIT		1
15	734 11 72-01	WASHER		4
16	589 38 71-01	SPACER		1
17	589 38 73-01	PULLEY		1
18	589 38 75-01	WASHER		1
19	735 11 73-01	SPRING WASHER		1
20	725 24 93-71	SCREW EHHM		1
21	731 23 18-01	HEXAGON NUT		1
22	725 24 67-51	SCREW EHHM		1
23	589 38 20-01	WHEEL		1
24	589 38 18-01	SPINDLE		1
25	732 25 18-01	HEXAGON LOCKING NUT		1
26	502 56 02-03	PARALLEL KEY		1
27	589 38 65-01	DRIVE SHAFT		1
28	543 04 02-10	DRUM		1