

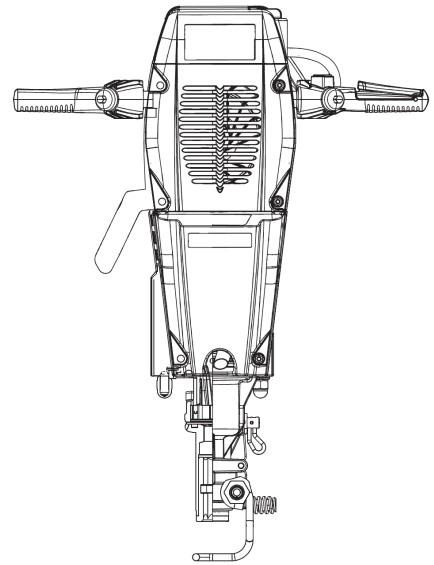


**Chicago
Pneumatic**

Spare parts list

Petrol breakers

CP Drill



General information

This spare parts list applies to the following:

Part number	Description
8318 0900 40	CP Drill 22x108 mm

Use only authorized parts. Any damage or malfunction caused by the use of unauthorized parts is not covered by Warranty or Product Liability. Any unauthorized use or copying of the contents or any part thereof is prohibited. This applies in particular to trademarks, model denominations, part numbers, and drawings.

Instructions for use

This spare parts list contains no safety regulations and is merely intended to assist in the ordering of spare parts.

For information about operating, servicing, or repairing, the relevant Safety and operating instructions must be consulted at all costs.

Please observe the safety instructions listed in the relevant Safety and operating instructions!

Contents

Service, repair and wear part kits

Service kit	1
Gasket kit	3
Carburettor repair kit	5
Oil	7

Mechanical

Top cover, front cover and back cover	9
Hammer piston and drill housing	12
Cylinder	17
Crank case	20
Crank case cover	23
Starter cover and fuel tank	25
Filter casset	27
Handle	29
Tightening torque	31

Options/Accessories

Hexagon 22 x 108 mm	33
Accessories	36

Service, repair and wear part kits Service kit

NO EXPLODED VIEW
AVAILABLE
FOR THIS BOM

Item	Part No.	Name	Qty	L
1	9234001552	Service kit	1	
.Not Shown	-	Rubber hose	1	
.Not Shown	-	Spark plug, Bosch WR 7 ACY incl M4-adapter. Gap 1.5 mm	1	
.Not Shown	-	O-ring, 99.10 x 2.40 mm, 3.90 x 0.09 in.	1	
.Not Shown	-	Piston ring, complete	1	
-	9234001554	Piston ring, complete, Complete set of 2 piston rings.	1	
-	9232240510	Starter rope	1	
.Not Shown	-	Flat gasket	1	
.Not Shown	-	Flat gasket	1	
.Not Shown	-	Flange nut, M6	4	
.Not Shown	-	Air filter	1	
2	9234001106	Air filter kit	1	
-	9234000136	Air filter	10	

Service, repair and wear part kits Gasket kit

NO EXPLODED VIEW
AVAILABLE
FOR THIS BOM

Item	Part No.	Name	Qty	L
1	9234000922	Gasket kit	1	
-	9232120180	O-ring, 15.3 x 2.4 mm, 0.60 x 0.09 in.	2	
-	9232120500	O-ring, 99.1 x 2.4 mm, 3.9 x 0.09 in.	1	
-	9232120820	O-ring, 27.1 x 1.6 mm, 1.07 x 0.06 in.	1	
-	9232120830	O-ring, 12.1 x 1.6 mm, 0.48 x 0.06 in.	1	
-	9232120840	O-ring, 27.1 x 1.6 mm, 1.07 x 0.06 in.	1	
-	9232121390	O-ring, 27.3 x 2.4 mm, 1.07 x 0.09 in.	1	
-	9232121420	Gasket	1	
-	9232120250	Gasket	1	
-	9232120260	Gasket	1	
-	9232140131	Rubber hose, complete	1	

Service, repair and wear part kits Carburettor repair kit

NO EXPLODED VIEW
AVAILABLE
FOR THIS BOM

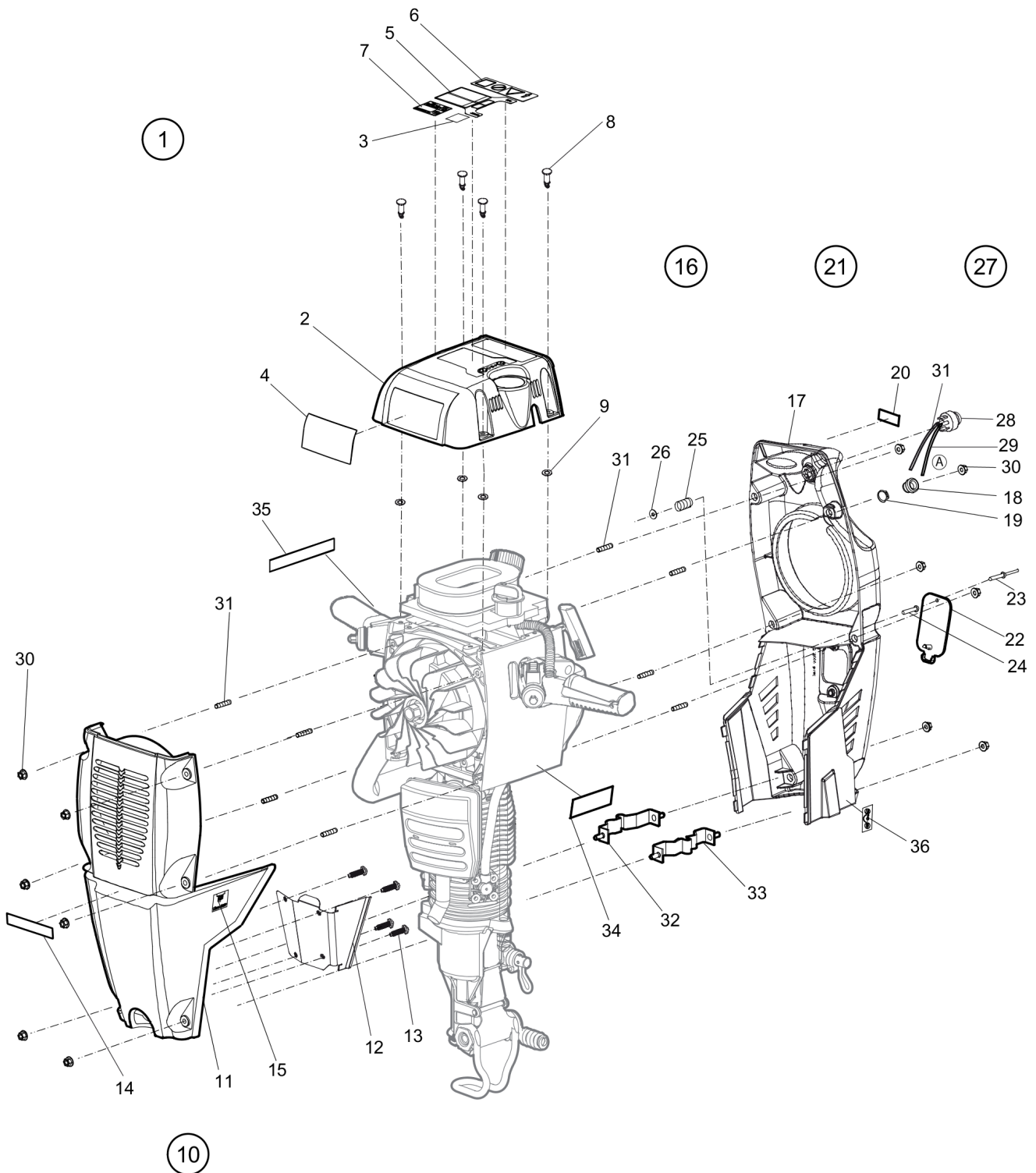
Item	Part No.	Name	Qty	L
1	9234000912	Carburettor repair kit	1	
.2	-	Flat gasket	1	
.3	-	Flat gasket	1	
.4	-	Diaphragm	1	
.5	-	Diaphragm	1	

Service, repair and wear part kits Oil

NO EXPLODED VIEW
AVAILABLE
FOR THIS BOM

Item	Part No.	Name	Qty	L
-	9234020996	Mixolene Oil, 1 Liter	1	

Mechanical Top cover, front cover and back cover



Refer to Parts Online for the most up to date information. The printed information might be outdated.

Fri Apr 10 02:29:24 MDT 2015

Item	Part No.	Name	Qty	L
1	9234020915	Top cover, complete	1	
.2	--	Top cover	1	
.3	9234021006	Sound label	1	
.4	9234020920	Product label	1	A
.5	9234001504	Start instruction label	1	
.6	9234000810	Safety label	1	
.7	9234000923	Warning label	1	
.8	9234001499	Stud fastner	4	
.9	9234001501	Holder	4	
10	9234020916	Front cover, complete	1	
.11	--	Front cover	1	
.12	9234001410	Heat shield	1	
.13	0226330019	Tapping screw	4	
.14	9234020919	Product label	1	C
.15	9232221680	Electronic gap label	1	
16	9234020912	Back cover, complete	1	
.17	--	Back cover	1	
.18	9232090530	Rope guide	1	
.19	0335111700	Retaining ring	1	
.20	9234020869	Label "Oil mix 2%"	1	
.21	9234000914	Hatch cover, complete	1	
..22	---	Hatch cover	1	
..23	9232080240	Pop rivet	1	
..24	9232080230	Rivet	1	
..25	9232040630	Spring	1	
..26	9232030980	Washer	1	
.27	9234001418	Prime pump, complete	1	
..28	---	Prime pump	1	
..29	---	Tube	1	
30	9232020750	Flange nut	12	
31	9232011660	Stud, M6 x 28 mm	8	
32	9234000781	Bracket	1	
33	9234000779	Bracket	1	
34	-	Label	1	D
35	9234001128	Label	1	E
36	9234001025	Label	1	F

Refer to Parts Online for the most up to date information. The printed information might be outdated.

Fri Apr 10 02:29:25 MDT 2015

Comments for Page: Top cover, front cover and back cover

(L)OCAL REMARKS

A | "CP"

C | "CP Drill"

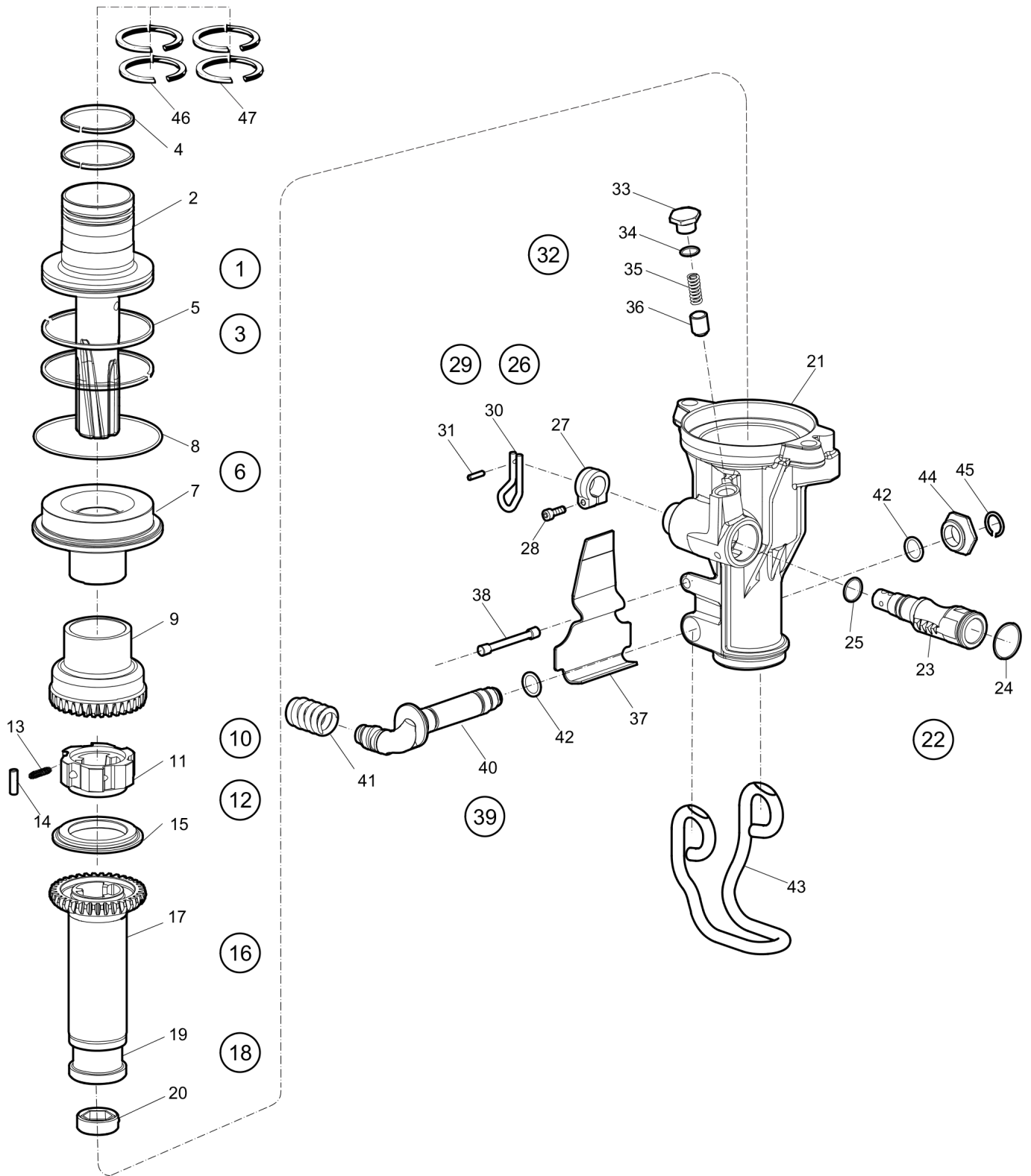
D | "EPA"

E | "www.cp.com"

F | Breaking / Drilling

Mechanical Hammer piston and drill housing

This page intentionally left blank



Refer to Parts Online for the most up to date information. The printed information might be outdated.

Fri Apr 10 02:29:26 MDT 2015

Item	Part No.	Name	Qty	L
1	9234001515	Hammer piston, complete	1	
.2	--	Hammer piston	1	
.3	9234001516	Piston ring, complete	1	
.4	9234001415	Piston ring, 58.00 x 3.15 mm, 2.28 x 0.12 in.	2	
.5	9234001416	Piston ring, 90.00 x 1.57 mm, 3.54 x 0.06 in.	2	
6	9232210641	Piston guide, complete	1	
.7	--	Piston guide	1	
.8	9232120500	O-ring, 99.1 x 2.4 mm, 3.9 x 0.09 in.	1	
9	9232160470	Ratchet housing	1	
10	9232210621	Swing wheel, complete	1	
.11	--	Swing wheel	1	
.12	9232210291	Retainer roller, complete	1	
.13	9232040650	Spring	6	
.14	---	Roller	6	
15	9232160480	Support washer	1	
16	9232160461	Drill chuck, complete	1	
.17	--	Drill chuck, 22 x 108 mm, 7/8 x 41/4 in.	1	
.18	9232160451	Collet, complete	1	
.19	---	Collet, 22 x 108 mm, 7/8 x 41/4 in.	1	
.20	9232120790	Gasket, 22 mm, 7/8 in.	1	
21	9232160440	Drill housing	1	
22	9232160492	Operating shaft, complete	1	
.23	--	Operating shaft	1	
.24	9232120820	O-ring, 27.1 x 1.6 mm, 1.07 x 0.06 in.	1	
.25	9232120840	O-ring, 27.1 x 1.6 mm, 1.07 x 0.06 in.	1	
26	9232020661	Lock nut, complete	1	
.27	--	Lock nut	1	
.28	9232011300	Screw, M5 x 20 mm	1	
29	9232160511	Palm grip, complete	1	
.30	--	Palm grip	1	
.31	9232060460	Pin, S4 x 16 mm	1	
32	9232160541	Spring housing, complete	1	
.33	--	Spring housing	1	
.34	9232120830	O-ring, 12.1 x 1.6 mm, 0.48 x 0.06 in.	1	
.35	9232040440	Spring	1	
.36	9232130040	Plunger	1	
37	9232040280	Yoke spring	1	

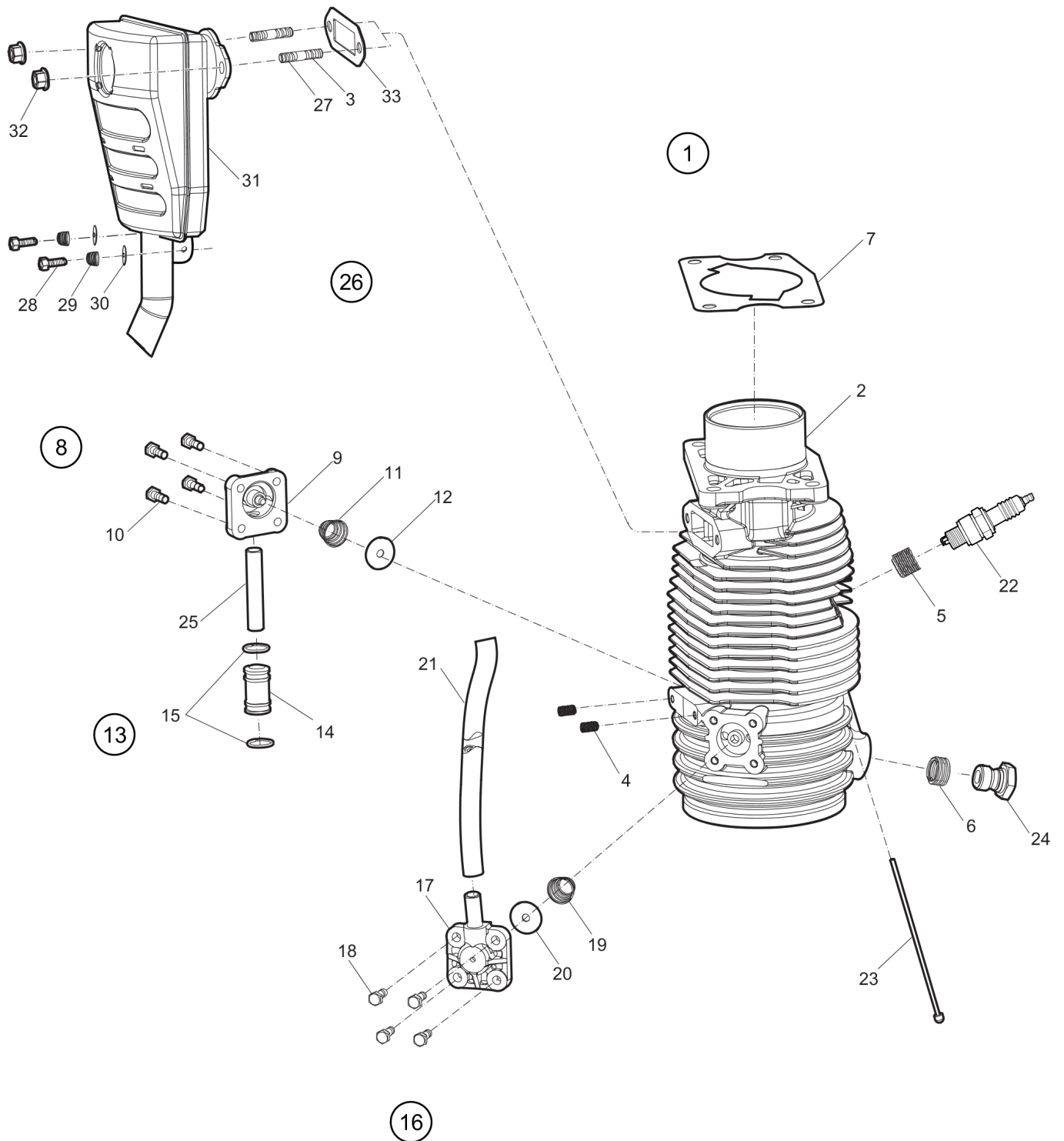
Refer to Parts Online for the most up to date information. The printed information might be outdated.

Fri Apr 10 02:29:26 MDT 2015

This page intentionally left blank

Item	Part No.	Name	Qty	L
38	9232060190	Lock pin	1	
39	9232160572	Yoke bolt, complete	1	
40	--	Yoke bolt	1	
41	9232040260	Spring	1	
42	9232120180	O-ring, 15.3 x 2.4 mm, 0.60 x 0.09 in.	2	
43	9232160550	Drill yoke	1	
44	9232160560	Drill yoke nut	1	
45	9232050350	Locking ring	1	
46	9232210690	Piston ring, optional, 58 x 3.25 mm, 2.28 x 0.13 in.	2	
47	9232210700	Piston ring, optional, 58 x 3.45 mm, 2.28 x 0.14 in.	2	

Mechanical Cylinder



Refer to Parts Online for the most up to date information. The printed information might be outdated.

Fri Apr 10 02:29:27 MDT 2015

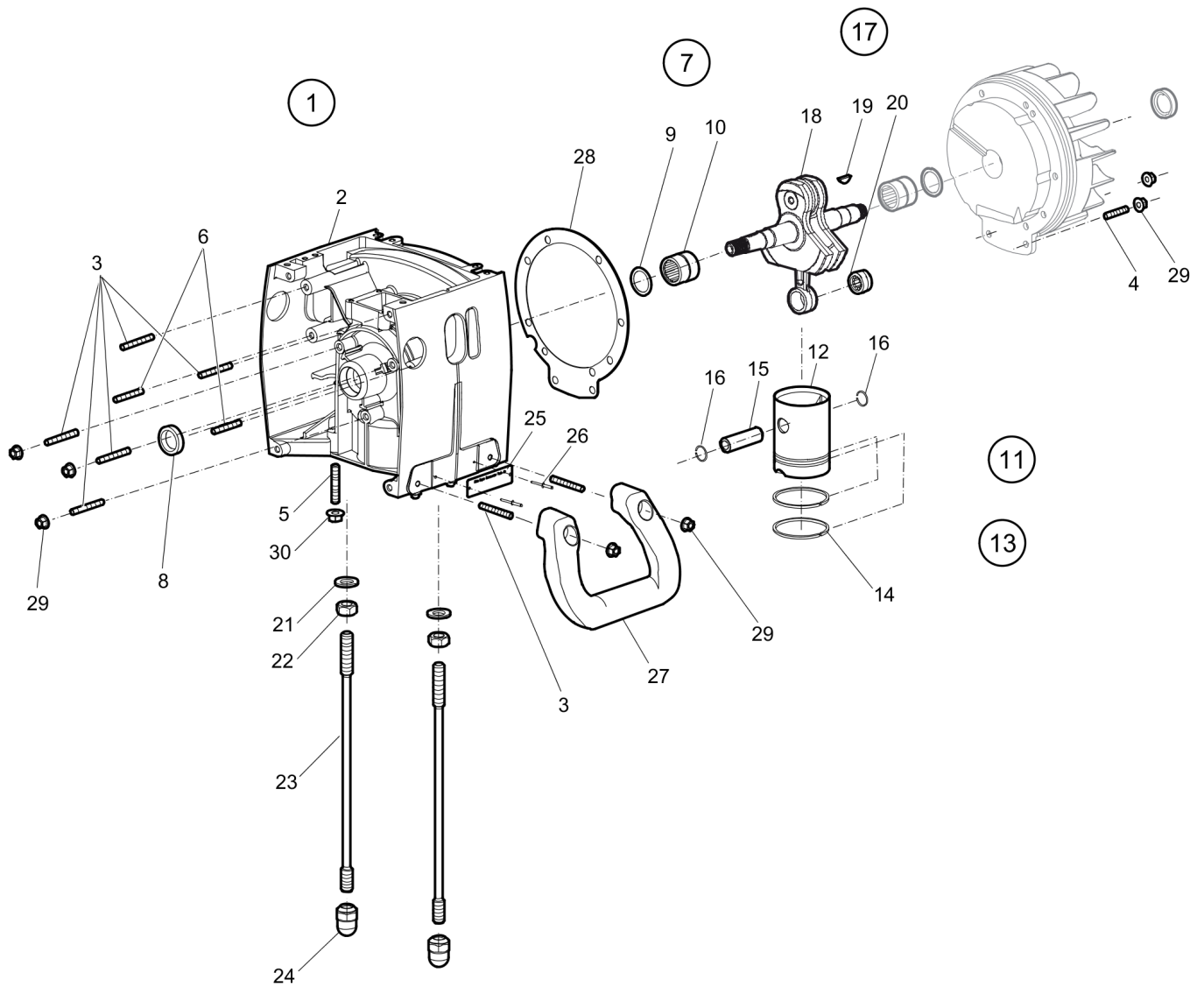
Item	Part No.	Name	Qty	L
1	9234001032	Cylinder, complete	1	
.2	--	Cylinder	1	
.3	9234000423	Stud, M6 x 18 mm, L = 28 mm	2	
.4	9232180870	Thread insert, M5 x 0.8 x 10 mm, use HELICOL®	2	
.5	9232180240	Thread insert, M14 x 1.25 x 12 mm, use HELICOL®	1	
.6	9232180880	Thread insert, M16 x 1.25 x 8 mm, use HELICOL®	1	
7	9232120250	Gasket	1	
8	9232190252	Valve body, complete	1	
.9	--	Valve body	1	
.10	9232011640	Screw, M5 x 14 mm	4	
.11	9232040190	Spring	1	
.12	9232190040	Valve washer	1	
13	9232140131	Rubber hose, complete	1	
.14	--	Rubber hose	1	
.15	9232050350	Locking ring	2	
16	9232190292	Valve body, complete	1	
.17	--	Valve body	1	
.17	--	Valve body	1	
.18	9232011640	Screw, M5 x 14 mm	4	
.19	9232040190	Spring	1	
.20	9232190040	Valve washer	1	
.17	--	Valve body	1	
21	9232140820	Rubber hose	1	
22	9234000904	Spark plug, Bosch WR 7 ACY incl M4-adapter. Gap 1.5 mm	1	
23	9232180211	Cleaning needle	1	
24	9232190051	Gas duct valve	1	
25	9232140140	Tube	1	
26	9234001580	Silencer, complete	1	
.27	9234000423	Stud, M6 x 18 mm, L = 28 mm	2	
.28	0211121103	Cap screw	2	
.29	9234001479	Spring	2	
.30	0301231800	Plain washer	2	
.31	--	Silencer	1	
.32	9232020750	Flange nut	2	
.33	9232121420	Gasket	1	

Comments for Page: Cylinder

HELICOL is a registered trademark of Paragon Consultancy Incorporated in Europe. LOCTITE is a registered trademark of Henkel Corporation. 243 is a trademark of Henkel Corporation.

Mechanical Crank case

This page intentionally left blank

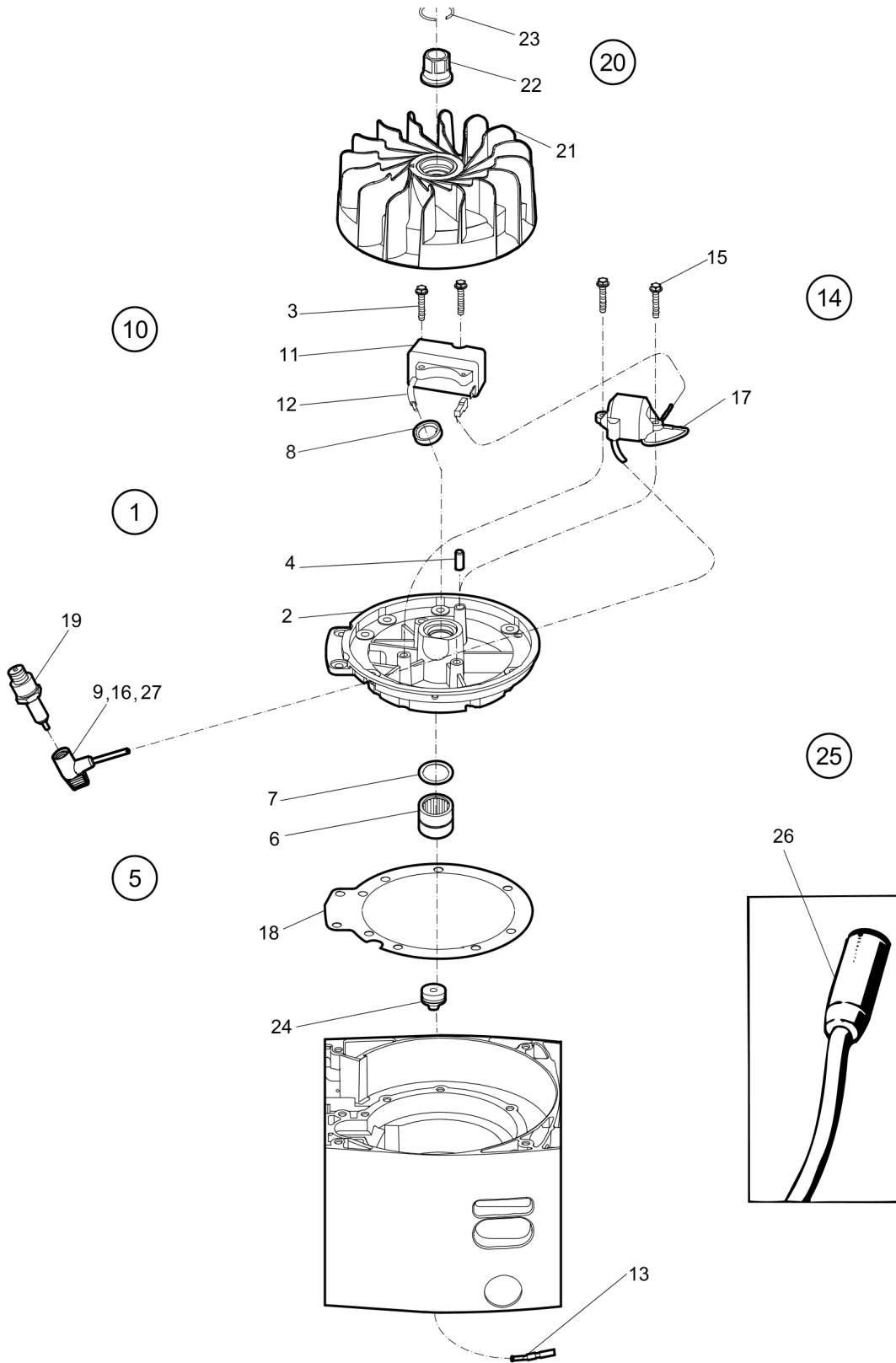


Refer to Parts Online for the most up to date information. The printed information might be outdated.

Fri Apr 10 02:29:29 MDT 2015

Item	Part No.	Name	Qty	L
1	9234001551	Crank case, complete	1	
.2	--	Crank case	1	
.3	9232011680	Stud, M6 x 45 mm	7	
.4	9232011660	Stud, M6 x 28 mm	18	
.5	9232011620	Stud, M8 x 42 mm	4	
.6	9232011670	Stud, M6 x 35 mm	2	
.7	9232100302	Needle bearing, complete	1	
..8	9232120070	Seal ring, 20 x 30 x 7 mm, 0.79 x 1.8 x 0.28 in.	1	
..9	---	Needle bearing	1	
..10	---	Disk	1	
11	9234001411	Engine piston, complete	1	
.12	--	Piston	1	
.13	9234001554	Piston ring, complete, Complete set of 2 piston rings.	1	
..14	---	Piston ring	2	
.15	9232220410	Gudgeon pin	1	
.16	9232050110	Lock ring	2	
17	9234001490	Crank shaft, complete	1	
.18	--	Crank shaft	1	
.19	9232221420	Key	1	
.20	9232100070	Needle bearing	1	
21	9232030840	Spring washer	2	
22	9232020610	Nut, M12 x 1.5 mm	2	
23	9232011160	Draw bolt	2	
24	9232020600	Cap nut, M12 x 1.5 mm	2	
25	-	Data plate	1	
26	-	Rivet	2	
27	9234000798	Side handle	1	
28	9232120260	Gasket	1	
29	9232020750	Flange nut	17	
30	9232020800	Nut, M8	4	

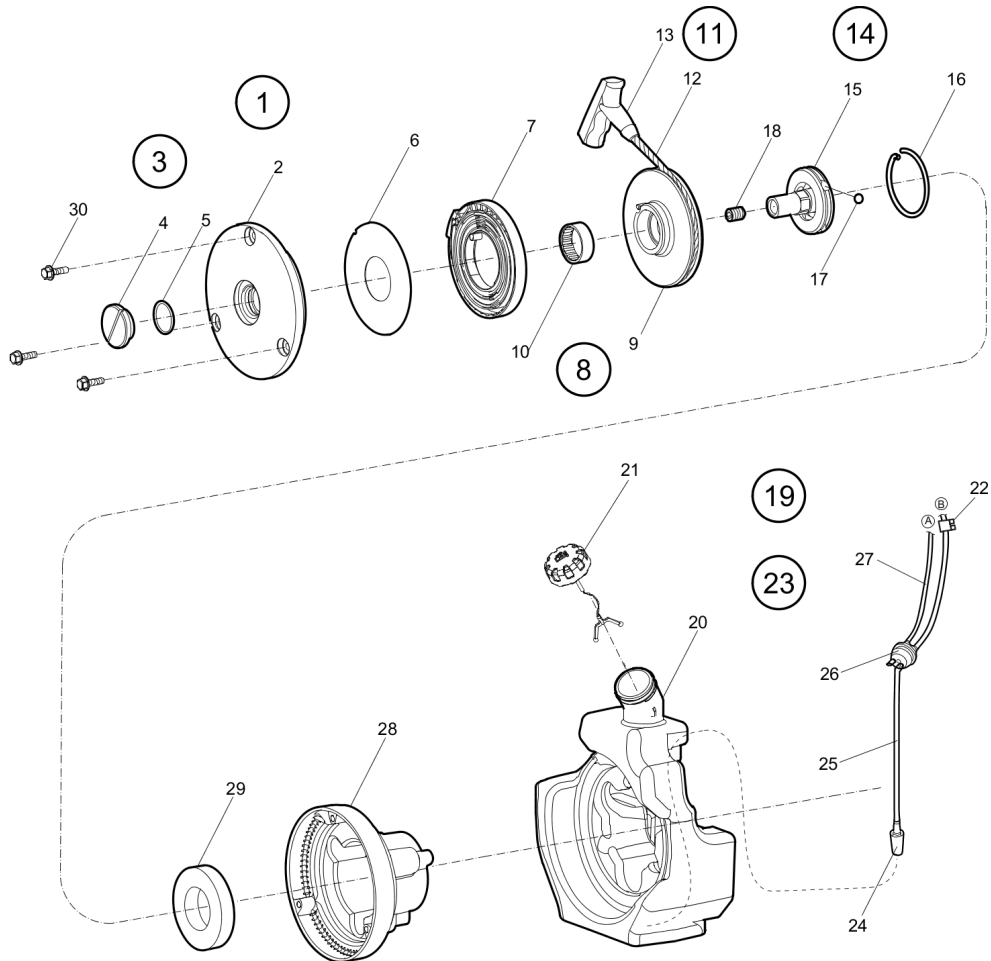
Mechanical Crank case cover



Refer to Parts Online for the most up to date information. The printed information might be outdated.

Fri Apr 10 02:29:30 MDT 2015

Item	Part No.	Name	Qty	L
1	9234000853	Cover, complete	1	
.2	--	Cover	1	
.3	9232011540	Screw, M5 x 28 mm	2	
.4	9232090340	Bushing	1	
.5	9232100302	Needle bearing, complete	1	
..6	---	Needle bearing	1	
..7	---	Disk	1	
..8	9232120070	Seal ring, 20 x 30 x 7 mm, 0.79 x 1.8 x 0.28 in.	1	
.9	--	Spark plug cap	1	
.10	9234000871	Electronic unit, complete	1	
..11	---	Electronic unit	1	
..12	9232230460	Protection hose	1	
..13	---	Coupling sleeve	1	
14	9232260901	Induction coil, complete	1	
.15	9232011540	Screw, M5 x 28 mm	2	
.16	--	Spark plug cap	1	
.17	--	Induction coil	1	
18	9232120260	Gasket	1	
19	9234000904	Spark plug, Bosch WR 7 ACY incl M4-adapter. Gap 1.5 mm	1	
20	9232221351	Flywheel, complete	1	
.21	--	Flywheel	1	
.22	9232020810	Flywheel nut	1	
.23	9232050420	Lock ring	1	
24	9232121490	Socket	1	
25	9234001555	Ignition cable, complete	1	
.26	--	Ignition cable	1	
.27	--	Spark plug cap	1	

Mechanical Starter cover and fuel tank

Item	Part No.	Name	Qty	L
1	9232240621	Starter cover, complete	1	
.2	--	Starter cover	1	
.3	9232240651	Screw cap, complete	1	
.4	---	Screw cap	1	
.5	9232121390	O-ring, 27.3 x 2.4 mm, 1.07 x 0.09 in.	1	
6	9232240640	Wearing washer	1	
7	9232240771	Starter spring	1	
8	9232240501	Starter pulley, complete	1	
.9	--	Starter pulley	1	
.10	9232100380	Needle bearing	1	
11	9234000900	Starter rope, complete	1	
.12	9232240510	Starter rope	1	
.13	9234000045	Handle	1	
14	9232240101	One-way clutch, complete	1	
.15	--	One-way clutch	1	
.16	9232050120	Snap ring	1	
.17	9232130020	Ball	4	
.18	9232010430	Stop screw, M12 x 16 mm	1	
19	9234001625	Fuel tank, complete	1	
.20	--	Fuel tank	1	
.21	9234001519	Tank cap	1	
.22	9234020836	Hose clip	1	
.23	9234001624	Tank grommet, complete	1	
.24	9234000889	Fuel filter	1	
.25	9234001621	Pipe	1	A
.26	9234000483	Tank grommet	1	
.27	9234001622	Pipe	1	B
28	9232240610	Center tube	1	
29	9232120290	Retainer ring	1	
30	9232011530	Screw, M6SF 6 x 20 mm	3	

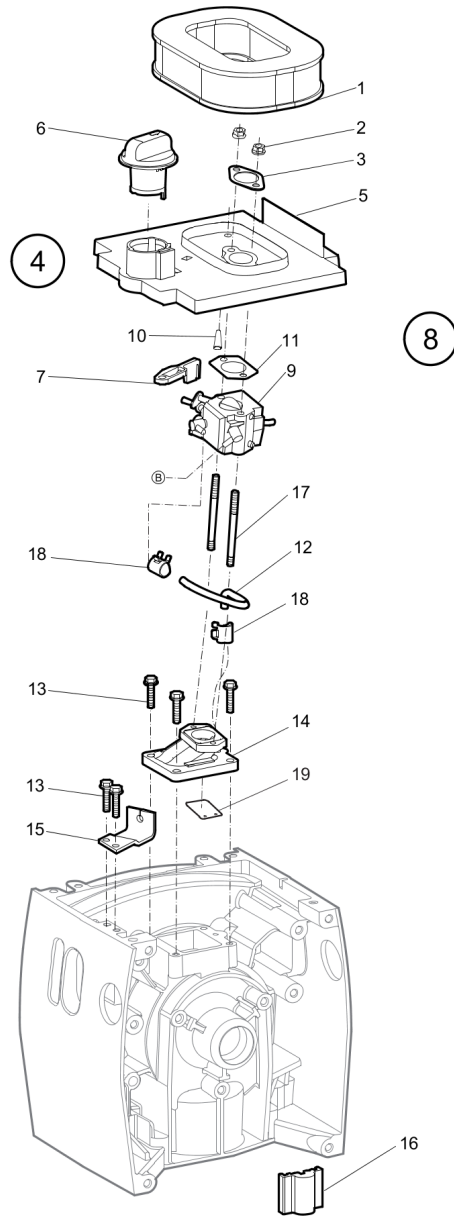
Comments for Page: Starter cover and fuel tank

(L)OCAL REMARKS

A | Pipe (B), see section "Filter casset" for placement.

B | Pipe (A), see section "Top cover, front cover and back cover" for placement.

Mechanical Filter casset



Item	Part No.	Name	Qty	L
1	9234000136	Air filter	1	
2	9232020880	Nut, M5	2	
3	9234000063	Plate	1	
4	9234001421	Filter cassette, complete	1	
.5	--	Filter cassette	1	
.6	9234001491	Choke handle	1	
.7	9234001030	Choke arm	1	
8	9234001825	Carburettor, complete	1	
.9	--	Carburettor	1	A
.10	9234001652	Plug	1	
.11	9234000137	Gasket	1	
12	9234000887	Hose	1	
13	9232011880	Screw, M5 x 20 mm	6	
14	9234000765	Reed valve, Including reed	1	
15	9234000804	Wire attachment	1	
16	9234000917	Spacer	1	
17	9234000180	Stud	2	
18	9234000921	Hose clamp	2	
19	9234000164	Reed	1	

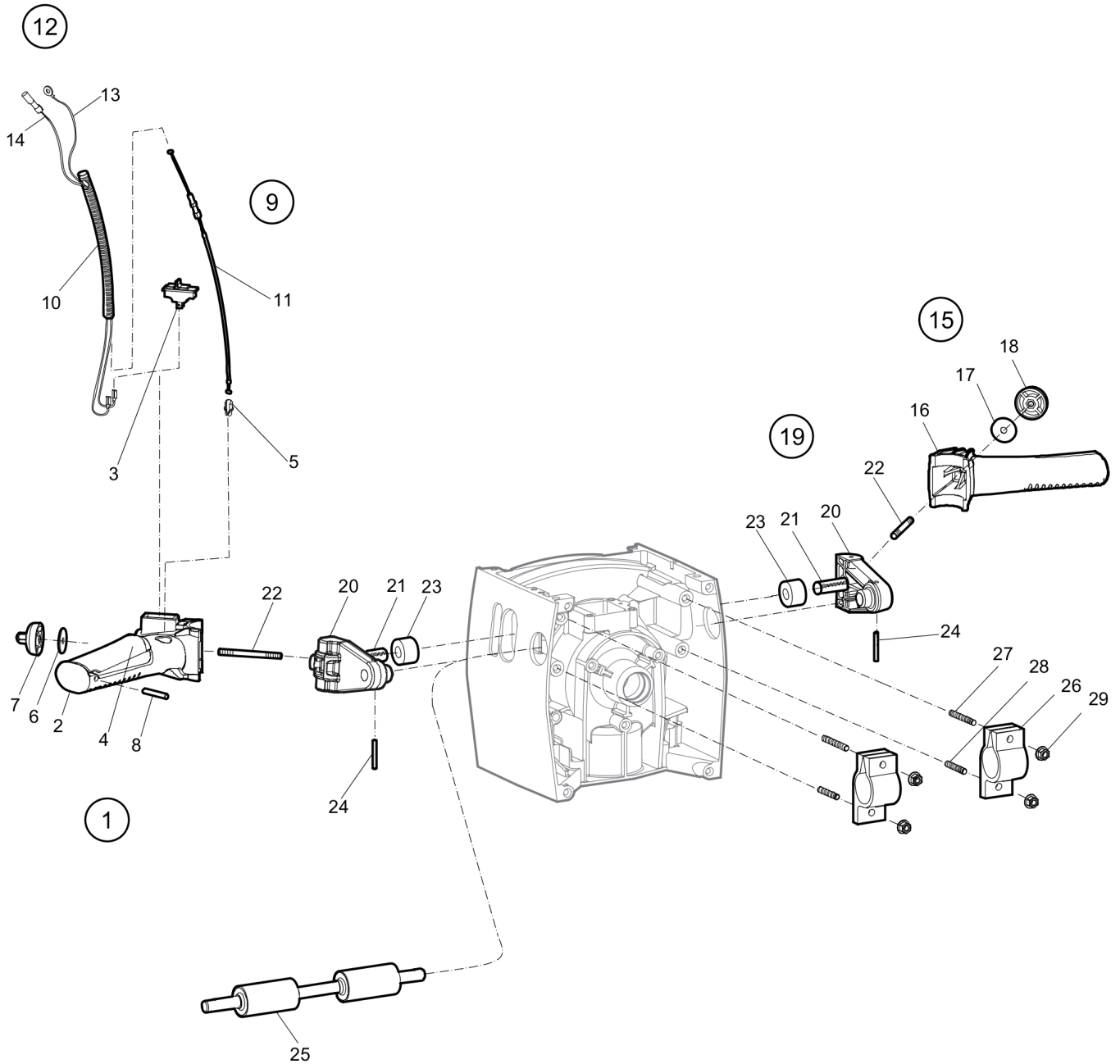
Comments for Page: Filter cassett

LOCTITE is a registered trademark of Henkel Corporation. 243 is a trademark of Henkel Corporation.

(L)OCAL REMARKS

A | In U.S: Only to be replaced and adjusted by authorized Atlas Copco service centers, due to EPA regulations.

Mechanical Handle



Refer to Parts Online for the most up to date information. The printed information might be outdated.

Fri Apr 10 02:29:35 MDT 2015

Item	Part No.	Name	Qty	L
1	9234000805	Handle left, complete	1	
.2	--	Handle	1	
.3	9234000111	Stop switch	1	
.4	9234000525	Throttle control	1	
.5	9234000490	Nipple	1	
.6	9234000584	Washer	1	
.7	9234000218	Handle locking nut	1	
.8	9234000565	Pin	1	
.9	9234000895	Tube cover, complete	1	
..10	---	Protection cover	1	
..11	---	Wire	1	
..12	9234000847	Protection, complete	1	
...13	----	Cable	1	
...14	----	Cable	1	
...14	----	Cable	1	
...14	----	Cable	1	
15	9234000807	Handle right, complete	1	
.16	--	Handle	1	
.16	--	Handle	1	
.17	9234000584	Washer	1	
.18	9234000218	Handle locking nut	1	
.16	--	Handle	1	
19	9234001478	Handle bar, complete	1	
.20	--	Handle bar	1	
.21	--	Connex pin	1	
.22	9234001040	Stud	1	
.23	9234000910	Damper	1	
24	9232060660	Spring pin	2	
25	9234000761	Handle spring	1	
26	9234000850	Clamp	2	
27	9232011680	Stud, M6 x 45 mm	2	
28	9232011670	Stud, M6 x 35 mm	2	
29	9232020750	Flange nut	4	

Mechanical Tightening torque

NO EXPLODED VIEW
AVAILABLE
FOR THIS BOM

Item	Part No.	Name	Qty	L
Not Shown	-	M5 nut, lower filter cap - 4 Nm	-	
Not Shown	-	M5 screw, compressor valve - 8 Nm	-	
Not Shown	-	M5 screw, ignition coil - 4.5 Nm	-	
Not Shown	-	M5 screw, ignitor - 6 Nm	-	
Not Shown	-	M5 screw, retainer ring on operating shaft - 7 Nm	-	
Not Shown	-	M5 screw, reed valve and wire attachment - 8 Nm	-	
Not Shown	-	M5 screw, silencer - 5 Nm	-	A
Not Shown	-	M6 screw - 10 Nm	-	
Not Shown	-	M6 nut - 10 Nm	-	
Not Shown	-	M6 nut, silencer - 14 Nm	-	
Not Shown	-	M8 nut, cylinder - 30 Nm	-	
Not Shown	-	M12 - 23 Nm	-	
Not Shown	-	Spark plug to cylinder - 25 Nm	-	
Not Shown	-	Gas duct valve to cylinder - 42 Nm	-	
Not Shown	-	Flywheel nut - 60 Nm	-	
Not Shown	-	One-way clutch - 70 Nm	-	
Not Shown	-	Stop screw - 30 Nm	-	
Not Shown	-	M4-adapter on spark plug - 2 Nm	-	
Not Shown	-	Selfthreading screw for reed, 3x8 mm - 2 Nm	-	
Not Shown	-	TX9 screw, front cover shield - 1.2 Nm	-	
Not Shown	-	M8/M6 handle stud - 10 Nm	-	

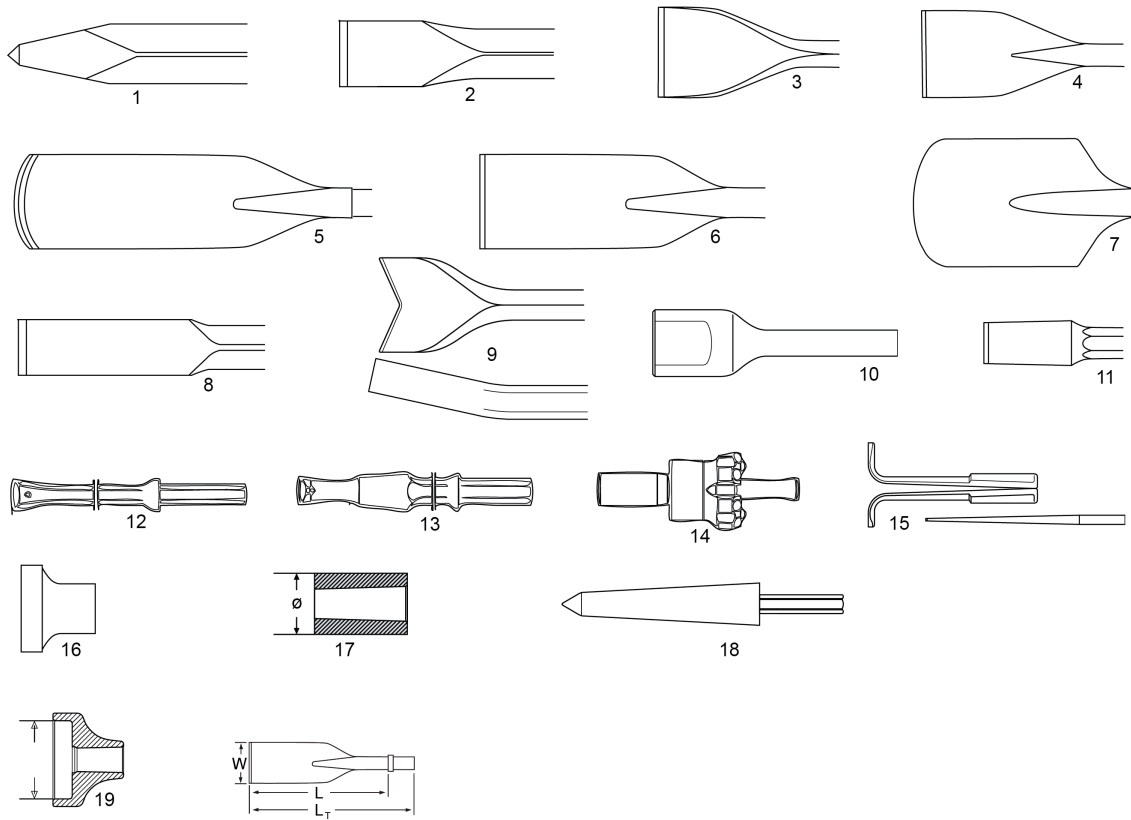
Comments for Page: Tightening torque

LOCTITE is a registered trademark of Henkel Corporation. 243 is a trademark of Henkel Corporation.

(L)OCAL REMARKS

A | Use LOCTITE®243™

Options/Accessories Hexagon 22 x 108 mm



Item	Part No.	Name	Qty	L
1	3083322800	Moil point	1	A
1	3083322900	Moil point	1	B
2	3083323100	Narrow chisel	1	C
2	3083323000	Narrow chisel	1	D
2	3083407100	Narrow chisel	1	E
3	3083323200	Wide chisel	1	F
3	3083407200	Wide chisel	1	G
4	9245281290	Asphalt cutter	1	H
5	3083323300	Digging chisel	1	I
6	3083323400	Digging spade	1	J
7	3083323500	Clay spade	1	K
8	3083323600	Wedge chisel	1	L
9	3083323700	Tie tamper	1	M
9	9245282330	Tie tamper	1	N
9	9245282240	Tie tamper	1	O
10	3083324100	Wedge hammer	1	P
11	3083323800	Shaft for tamping pad	1	Q
12	714-0434,05-02	Drill steel	1	R
12	714-0833,05-02	Drill steel	1	S
12	714-1232,05-02	Drill steel	1	T
13	575-3108,11-17	Pilot drill rod	1	U
14	175-5076,39-20	Reamer bit	1	V
15	9245281381	Wedge set	1	W
15	9245281351	Wedge set	1	X
16	3083323900	Tamping pad, square	1	Y
17	9245282280	Driver blank	1	Z
18	9245282231	Post hole driver	1	AA
19	9245281790	Driver pad	1	BB

Comments for Page: Hexagon 22 x 108 mm

(L)OCAL REMARKS

A | W= - L=350 mm, Lt=470 mm, Wt=1,5 kg

B | W= - L=480 mm, Lt=600 mm, Wt=2.0 kg

C | W= 45 L=240 mm, Lt=360 mm, Wt=1,2 kg

D | W= 45 L=340 mm, Lt=460 mm, Wt=1,4 kg

E | W= 45 L=450 mm, Lt=570 mm, Wt=2,0 kg

F | W= 75 L=380 mm, Lt=500 mm, Wt=2,6 kg

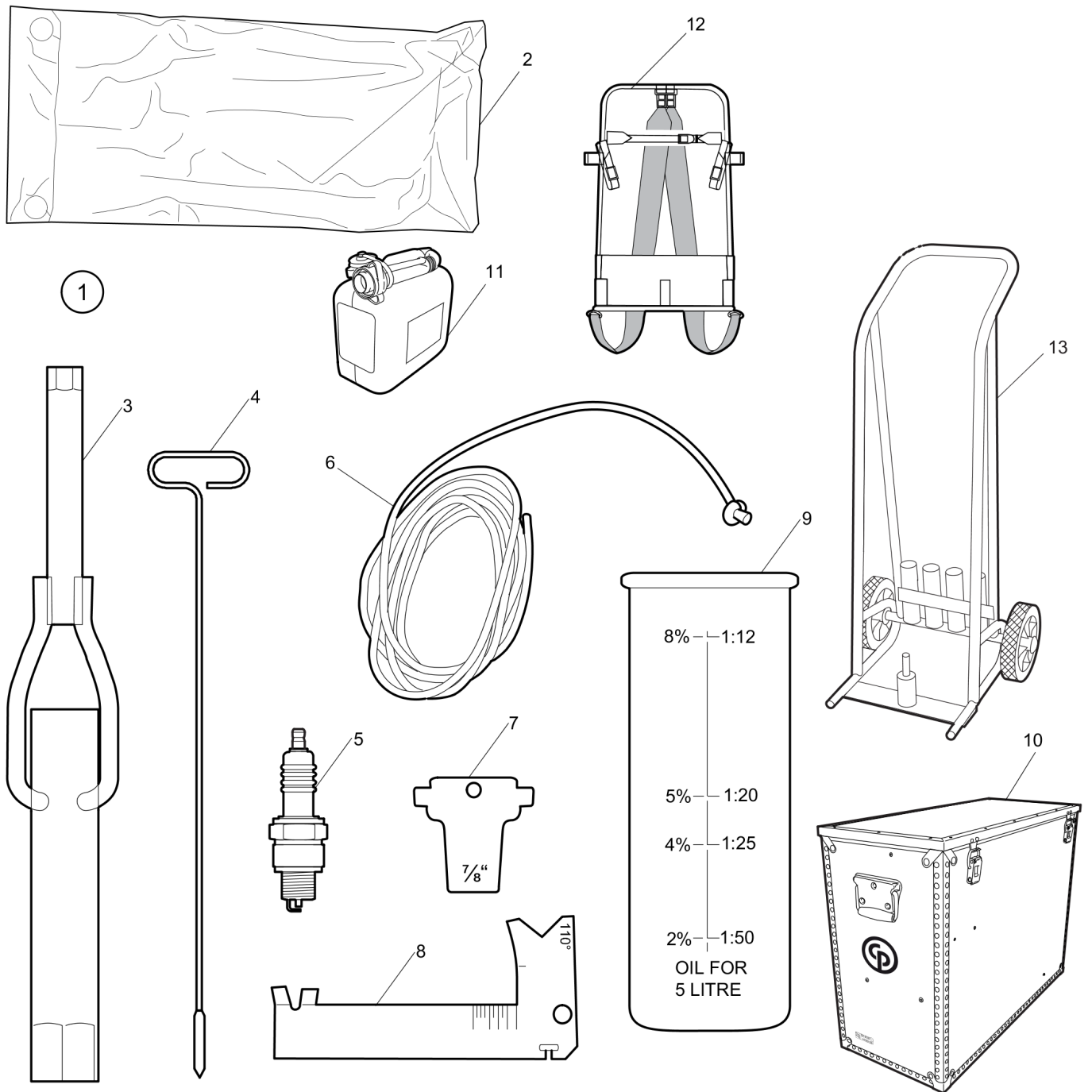
Refer to Parts Online for the most up to date information. The printed information might be outdated.

Fri Apr 10 02:29:37 MDT 2015

G | W= 75 L=450 mm, Lt=570 mm, Wt=3,1 kg
H | W= 125 L=350 mm, Lt=470 mm, Wt=3,0 kg
I | W= 75 L=280 mm, Lt=400 mm, Wt=2,7 kg
J | W= 120 L=330 mm, Lt=450 mm, Wt=3,2 kg
K | W= 125 L=380 mm, Lt=470 mm, Wt=3,4 kg
L | W= 35 L=380 mm, Lt=500 mm, Wt=2,8 kg
M | W= 90 L=390 mm, Lt=510 mm, Wt=3,0 kg
N | W= 90 L=460 mm, Lt=580 mm, Wt=3,3 kg
O | W= 90 L=550 mm, Lt=670 mm, Wt=3,9 kg
P | W=Ø42 L=195 mm, Lt=315 mm, Wt=2,0 kg
Q | W= - L=185 mm, Lt=305 mm, Wt=1,3 kg
Q | W= 34 L=400 mm, Lt=- mm, Wt=- kg
S | W= 33 L=800 mm, Lt=- mm, Wt=- kg
T | W= 32 L=1200 mm, Lt=- mm, Wt=- kg
U | W= 26 L=800 mm, Lt=- mm, Wt=- kg
V | W= 76 L=- mm, Lt=- mm, Wt=- kg
W | W= 29 L=- mm, Lt=- mm, Wt=1,5 kg
X | W= 34 L=- mm, Lt=- mm, Wt=2,1 kg
Y | W= 175 L=- mm, Lt=- mm, Wt=6,0 kg
Z | W=Ø55 L=195 mm, Lt=315 mm, Wt=2,5 kg
AA | W=Ø40 L=400 mm, Lt=520 mm, Wt=4,5 kg
BB | W=Ø100 L=- mm, Lt=- mm, Wt=2,5 kg

Options/Accessories Accessories

This page intentionally left blank



Refer to Parts Online for the most up to date information. The printed information might be outdated.

Fri Apr 10 02:29:38 MDT 2015

Item	Part No.	Name	Qty	L
1	9234000905	Tool bag kit	1	
2	9238271020	Tool bag	1	
3	9238271400	Socket wrench, 10/21 mm, 0.4/0.8 in.	1	
4	9238270100	Cleaning needle	1	
5	9234000904	Spark plug, Bosch WR 7 ACY incl M4-adapter. Gap 1.5 mm	1	
6	9232240510	Starter rope	1	
7	9238270790	Gauge, Hexagon 22 mm, Hexagon 7/8 in.	1	
8	9238270810	Grinding template	1	
9	9238271840	Oil measure	1	
10	-	Machine box	1	A
11	9234000897	Petrol can 5.0 litres, 1.1 gal Not approved in US according to EPA regulations.	1	B
12	9238281410	Carrying harness	1	
13	9234000654	Trolley	1	

Comments for Page: Accessories

(L)OCAL REMARKS

A | "CP Drill"

B | Not approved in the U.S according to EPA regulations.



**Chicago
Pneumatic**