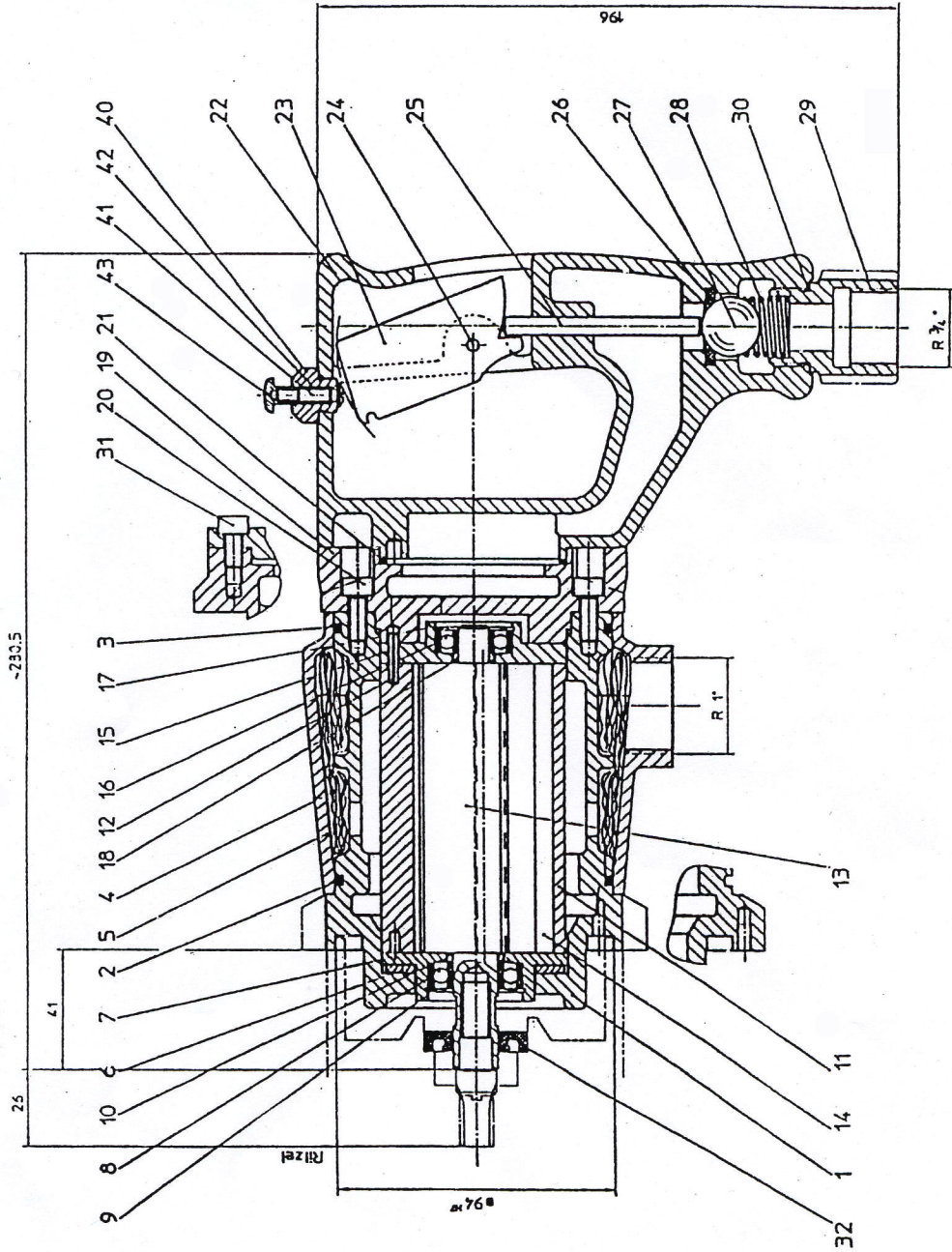


CS UNITEC, INC.
22 Harbor Avenue
Norwalk, CT 06850
Website: www.csunitec.com
Email: info@csunitec.com

Core Drill 2 1333 0010 Motor Model 2 1313 0050



*Prices to change without notice.
Not responsible for typographical errors.*

<u>POS. NO.</u>	<u>ITEM NO.</u>	<u>DESCRIPTION</u>	
2 + 3	9 1901 4420	O-Ring	
1	2 1313 1010	Motor Housing	
4	1 2034 6100	Sound Absorber	
5	2 1313 1120	Turning Sleeve	
6	9 1802 0260	Spring, Belleville	
7	7 1401 1100	End Plate	
8	9 1003 0030	Bearing	SEE # 101 583
9	9 1703 0100	Snap Ring	
10	1 1501 1090	Spacer	
11	3 7339 1020	Cylinder Bushing	
12	9 1630 0270	Adapter Sleeve	
13	2 1314 1030	Rotor	
14	3 7343 1050	Vane	
15	2 1313 1110	End Plate	
16	9 1003 0010	Bearing	4-17-01-010-05-4
17	9 1703 0050	Ring, Snap	4-26-16-001-00-5
18	2 1301 1090	Spacer	
19	2 1313 1130	Motor Cover	
20	9 1110 4020	Fillister Head Screw	
21	9 1901 3480	O-RING	
32	9 1905 0780	Sealing, Radial Shaft	

CS Unitec, Inc.

22 Harbor Ave, Norwalk, CT 06850

Telephone: 203-853-9522 Toll Free: 800-700-5919 Fax: 203-853-9921

WebSite: www.csunitec.com E-Mail: info@csunitec.com

*Prices to change without notice.
Not responsible for typographical errors.*

ITEM NO.	DESCRIPTION	
105 546	C-Clip	
107 727	Washer	
111 392	C-Clip	
199 702	Cylinder Pin	
2 1317 0120	Nut	
2 1317 1190	Seal	
2 1317 4010	Bearing Housing	
2 1317 4170	Gear Shaft	
2 1320 1010	Housing	
2 1320 4430	Spur Gear	
203 335	Screw	SEE # 9 1110 3100
223 158	Bearing	
223 344	C-Clip	
237 469	O-Ring	
242 942	Needle Cage	
251 646	Water Valve	
251 648	Valve Ring-#52662&65205	#9 2126 0140 & 9 2126 0120
253 164	Compression Washer, Core Drill	
253 165	Distance Ring	
253 166	Spacer	
253 219	Ring-#41377, # 9 1905 1230	
253 222	SEALING RING-# 41376,	9 1905 0050
253 895	Gear	
253 896	Gear	
253 897	Gear	
253 910	Knob	
254 045	C-Clip	
254 046	Key	
254 048	Ball	
254 049	Spring	
254 101	Ring	
254 577	Ring	
255 469	Spring Washer	
255 648	C-Clip	
255 649	Pin, Replaces # 9 1637 2110	
256 115	C-Clip	
256 749	Shaft	
256 757	Pinion REPLACES # 2 1315 4950	
256 982	Seal	
256 983	Nipple, Connecting	
256 985	Ring, Swivel Segment	
256 986	Seal	
256 987	Screw, Hollow	
259 158	Washer Ring	
259 171	Spacer	
9 1027 0530	Ball Bearing	

CS Unitec, Inc.

22 Harbor Ave, Norwalk, CT 06850

Telephone: 203-853-9522 Toll Free: 800-700-5919 Fax: 203-853-9921

WebSite: www.csunitec.com E-Mail: info@csunitec.com

*Prices to change without notice.
Not responsible for typographical errors.*

ITEM NO.	DESCRIPTION
9 1110 3040	Screw
9 1110 3110	Screw
9 1619 1300	Pin
9 1703 0160	Snap Ring

CS Unitec, Inc.

22 Harbor Ave, Norwalk, CT 06850

Telephone: 203-853-9522 Toll Free: 800-700-5919 Fax: 203-853-9921

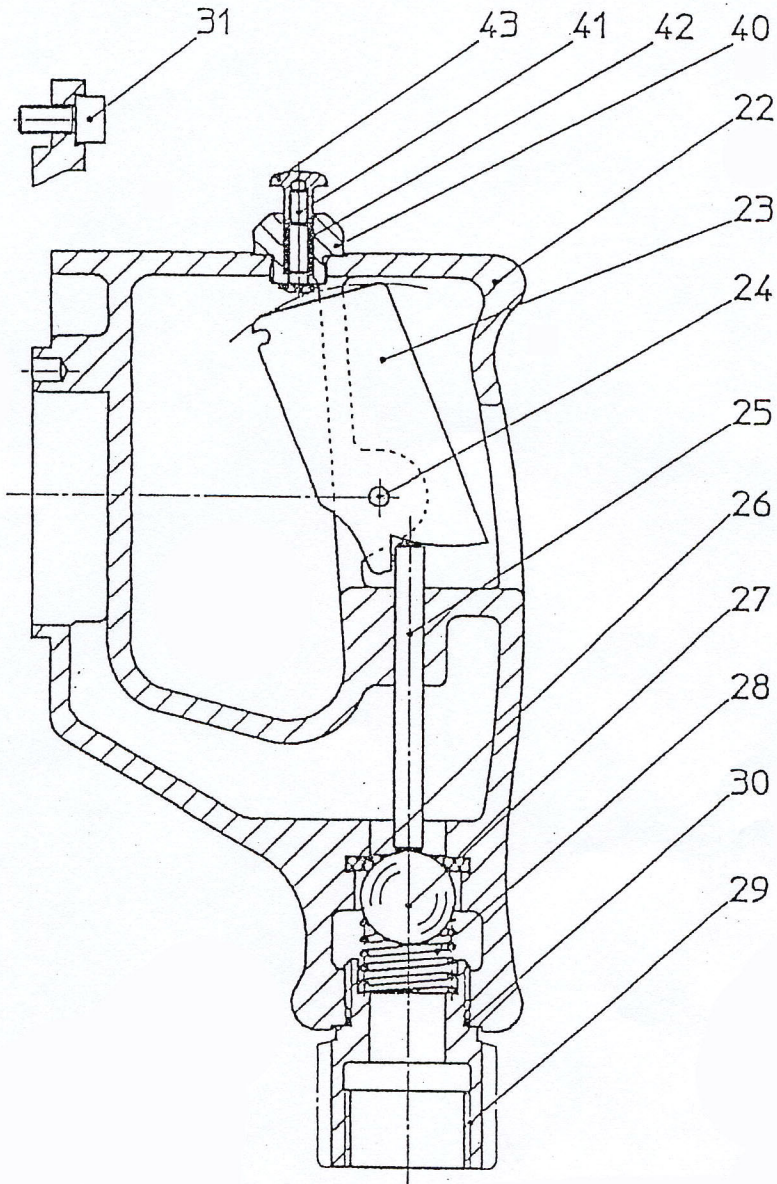
WebSite: www.csunitec.com E-Mail: info@csunitec.com

CS UNITEC, INC.

22 Harbor Avenue
Norwalk, CT 06850

Website: www.csunitec.com

Email: info@csunitec.com



Handle, Assy. Type 2 1315 6000

*Prices to change without notice.
Not responsible for typographical errors.*

<u>POS. NO.</u>	<u>ITEM NO.</u>	<u>DESCRIPTION</u>	
	2 1313 6500	Valve Lever Locking Assembly	Includes Pos. #'s 40-43
	9 3801 1040	Muffler	
22	2 1315 6910	Handle	
23	2 1315 3040	Lever, Valve	
24	9 1641 0020	Pin, Notched	
25	9 1637 1730	Pin, cylindrical	
26	9 1903 0990	Sealing Ring	
27	9 1017 0070	Ball	3-13-05-203-00-3
28	9 1803 1210	Spring	
29	9 2205 1510	Nipple	
30	9 1901 3140	O-Ring	
31	9 1110 4010	Screw	
40	2 1313 6110	Housing	
41	2 1313 6120	Latch Pin	
42	9 1803 3380	Spring, Compression	
43	2 1313 6130	Push Button	

CS Unitec, Inc.

22 Harbor Ave, Norwalk, CT 06850

Telephone: 203-853-9522 Toll Free: 800-700-5919 Fax: 203-853-9921

WebSite: www.csunitec.com E-Mail: info@csunitec.com