

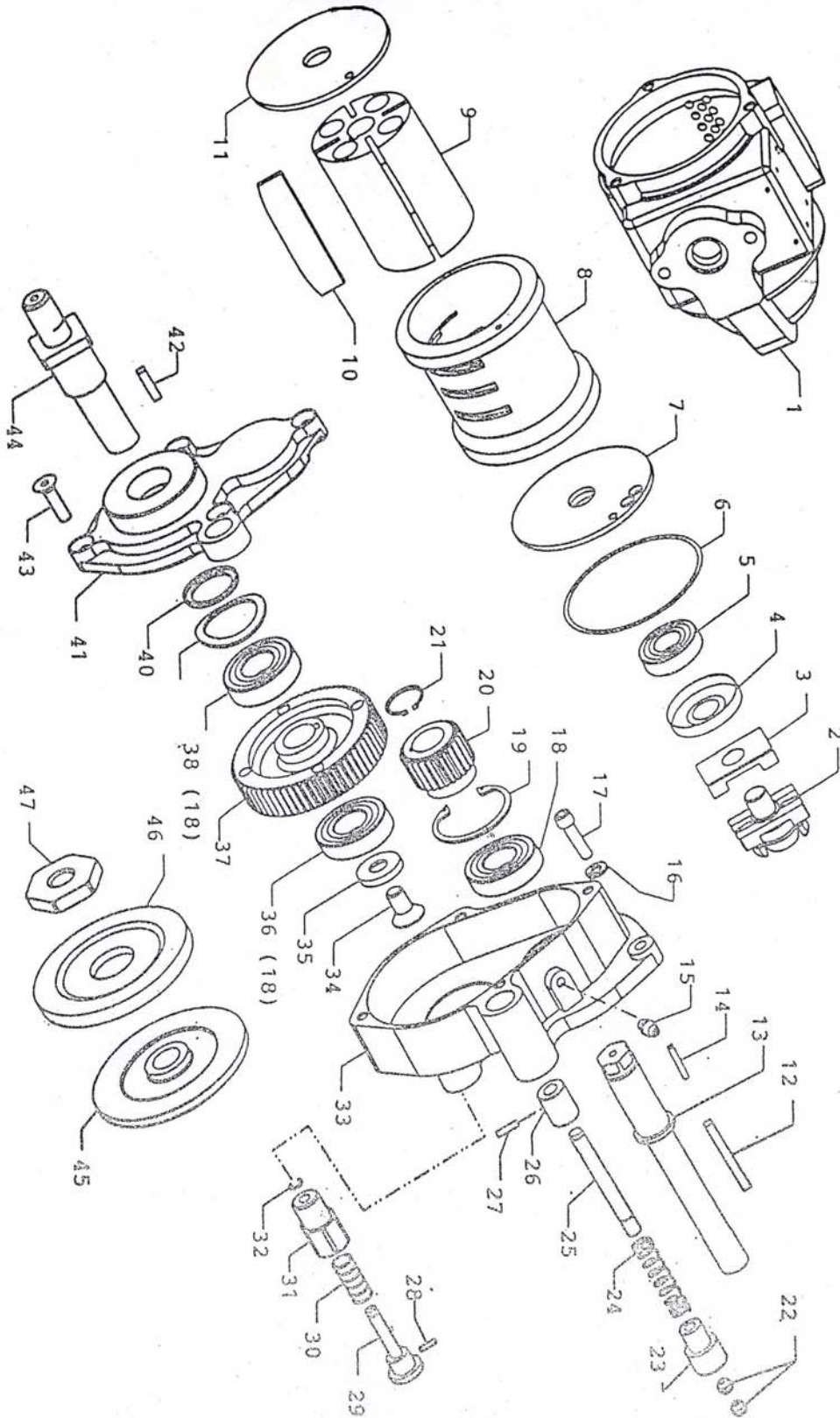
CS UNITEC, INC.

22 Harbor Avenue
Norwalk, CT 06850

Website: www.csunitec.com

Email: info@csunitec.com

AIR CONCRETE SAW MOTOR CSH 125 & CSH 150



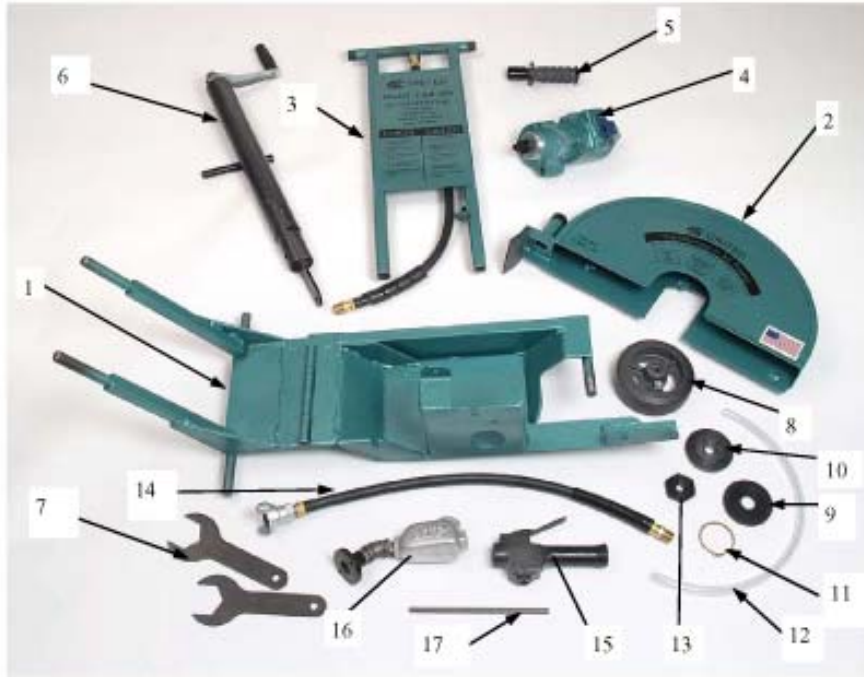
CS UNITEC, INC.

22 Harbor Avenue
Norwalk, CT 06850

Website: www.csunitec.com

Email: info@csunitec.com

Model CSR-150 – Walk Behind Concrete Saw



Not responsible for typographical errors.

<u>POS. NO.</u>	<u>ITEM NO.</u>	<u>DESCRIPTION</u>	
1	CSR 150-9	Carriage Weldment Complete	w/o Motor & Gearbox
2	CSH 150-GUARD	Guard	
3	CSR 150-10	Handle Assembly	
4	CSR 150-16	Air Motor	
5	CSR 150-8	Side Handle	
6	CSR 150-19	Height Adjustment Jack	
7	CSR 150-20	Wrench 2"	
8	CSR 150-7	Wheel for CSR 150	
9	CSR 150-5	Inner Blade Flange	
10	CSR 150-4	Outer Blade Flange	
11	CSR 150-22	Snap Ring	
12	CSR 150-15	Water Hose Assembly	
13	CSR 150-6	Wheel Flange Nut	
14	CSR 150-12	Whip Hose Assembly	
15	CSR 150-11	Throttle Handle	Old #1505R-A160
16	CSR 150-14	Oiler Assembly	
17	CSR 150-18	Axle with Caps	
18	251 646	Water Valve	
19	CSR 150-17	Water Spray Nozzle	
20	CSR 150-020	Water Fitting	
21	CSR 150-21	Water Hose Fittings (2 Req.)	
22	CSR 150-2	Pointer Wheel	
23	CSR 150-23	Washer 3/4" (6 Required)	
24	CSR 150-3	Washer 3/8" (6 Required)	
25	CSR 150-25	Bolt 3/8" x 1" (2 Required)	
26	CSR 150-26	Cotter Pin 1/8" (3 Required)	
27	CSR 150-27	Push Caps for Jack Axle	
28	CSR 150-28	Bolt 3/8" x 1-1/2"	
29	CSR 150-29	Nut 3/8" (3 Required)	

Not responsible for typographical errors.

<u>POS. NO.</u>	<u>ITEM NO.</u>	<u>DESCRIPTION</u>	
	0266138	Ground Rotation Lock Assembly	Items 22-27
	0266139	Spindle Lock Assembly	Items 28-31
	CSR 150-16	Air Motor	
18 + 36 + 3	0270070	Bearing, Outer	SEE # 0266211,0266290
25 + 26 + 2	0266117	Lock Pin Assembly w/Pin, Shaft	and Bushing
1	0266015	Motor Housing	
2	0255090	Governor Assembly (9000 RPM)	
3	0260048	Governor Pin Retainer	
4	0266179	Slinger Shield	
5	0270090	Bearing, Inner	
6	0265013	Gasket	
7	0254069	Inner Thrust Plate	
8	0270011R	Cylinder Left Rotation	
9	0270012	Rotor for Concrete Saw	
10	0270013	Vanes - 4 PIECES!	
11	0270010	Outer Thrust Plate	
12	0270015	Key	
13	026618B	Shaft	
14	0266113	Key (Gear Driven)	
15	0266126	Grease Fill Nipple	
16	0270046	Lockwasher 1/4"	
17	0270047	Cap Screw	
19	0255021	Snap Ring (Alt. 150 Snap Ring)	
20	0266150	Gear, small input	
21	0259261	Retainer Clip	
22	0259110	Set Screw	
23	0266119	Lock Pin Knob	
24	0266125	Lock Pin Spring	
28	0240044A	Roll Pin	
30	0260051	Throttle Valve Spring	
33	0266101	Gearbox Housing	
34	0266129	Cap Screw	
35	0266128	Washer	
37	0266170	Gear, large output	
39	0266124	Spring Washer	
40	0266123	Seal	

CS Unitec, Inc.

22 Harbor Ave, Norwalk, CT 06850

Telephone: 203-853-9522 Toll Free: 800-700-5919 Fax: 203-853-9921

WebSite: www.csunitec.com E-Mail: info@csunitec.co

Not responsible for typographical errors.

<u>POS. NO.</u>	<u>ITEM NO.</u>	<u>DESCRIPTION</u>
41	0266130	Gear Box Cover
42	0266112	Key (Large output gear)
43	0259114	Screw (Cover Mounting)
44	0266127	Output Shaft
45	0265042	Inner Flange
46	0252257	Outer Flange
47	0252256	Flange Nut
48	9 1630 0020	Tension Pin

CS Unitec, Inc.

22 Harbor Ave, Norwalk, CT 06850

Telephone: 203-853-9522 Toll Free: 800-700-5919 Fax: 203-853-9921

WebSite: www.csunitec.com E-Mail: info@csunitec.co