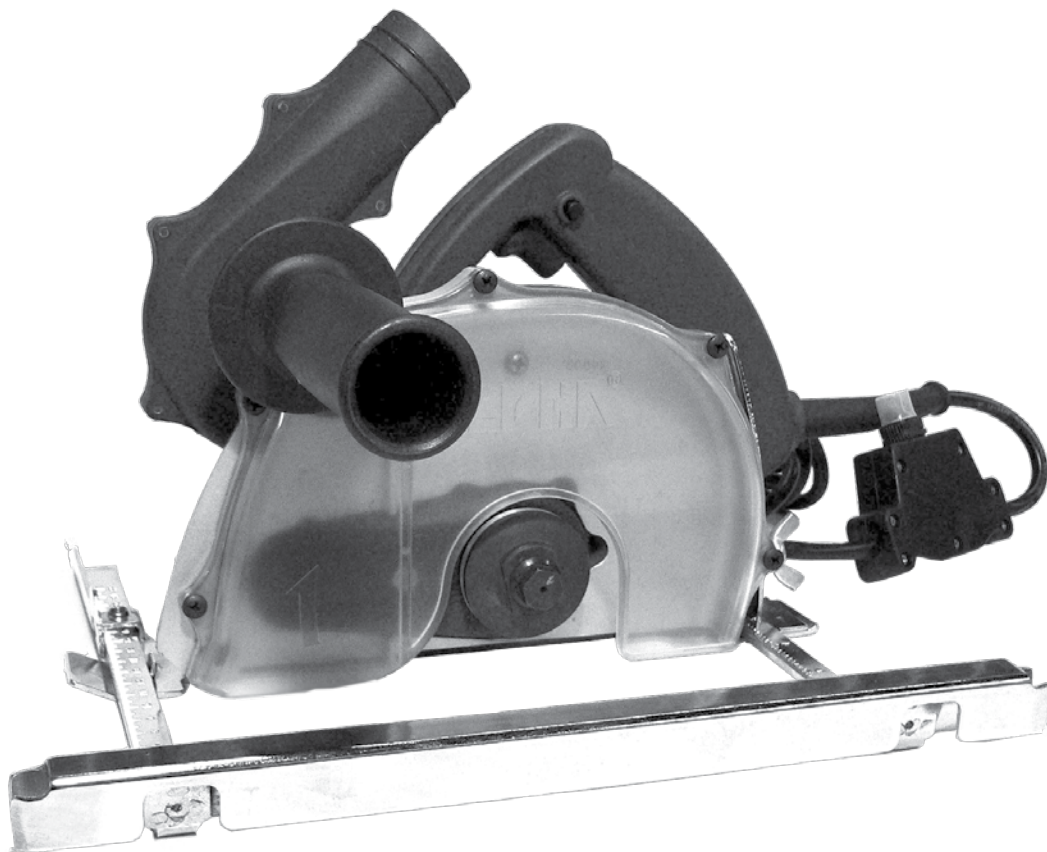

Alpha[®] Ecocutter

Parts List and Schematic



Part No: ECC-125/ECC-225

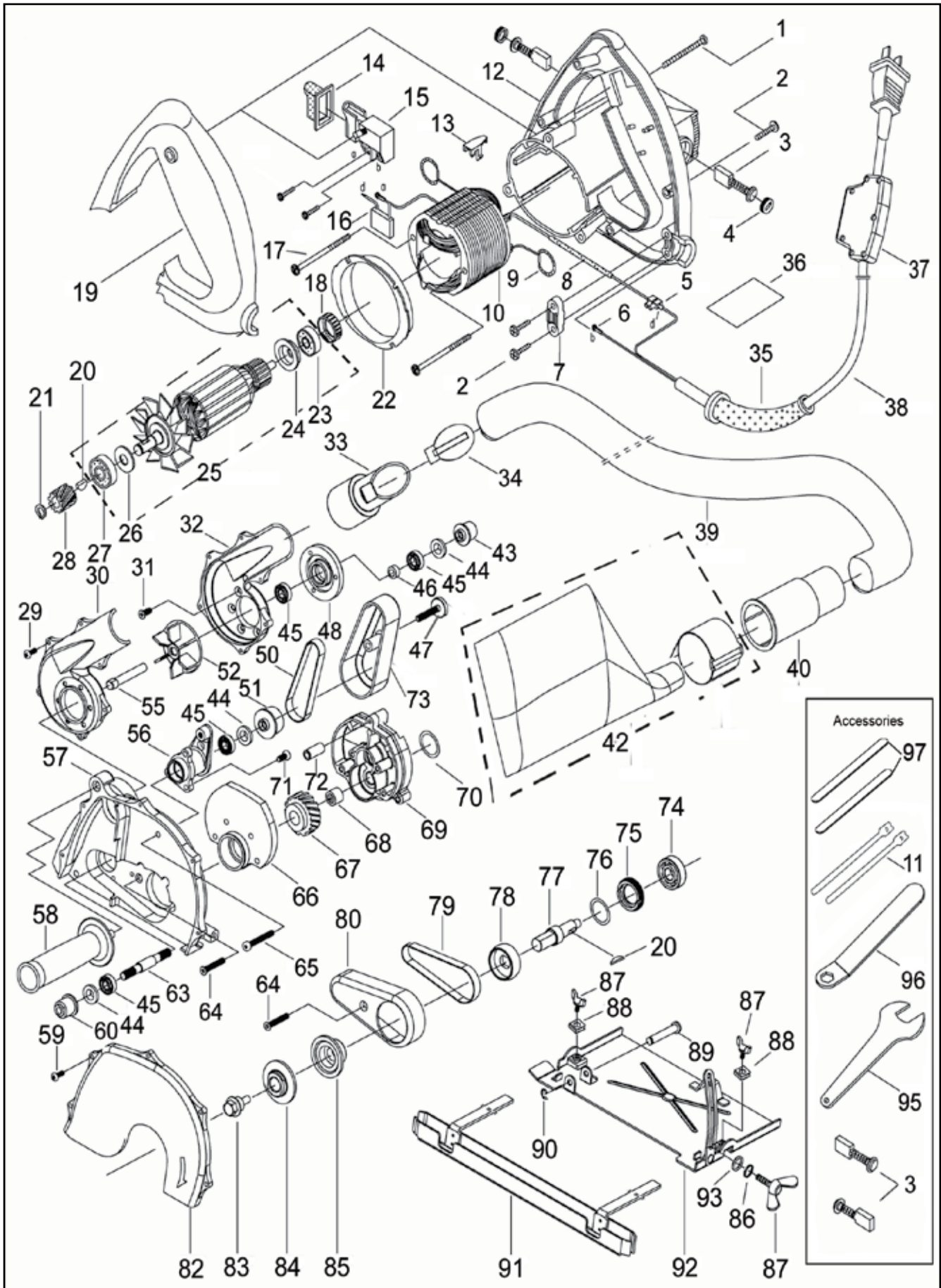
 **Alpha Professional Tools**[®]

103 Bauer Drive, Oakland, NJ 07436 • 800-648-7229 • Fax: 800-286-0114
www.alpha-tools.com

ECC-125/ECC-225 PARTS LIST AND SCHEMATIC
SEPTEMBER 2017

Copyright © 2017 Alpha Professional Tools. All rights reserved.

ALPHA® ECOCUTTER SCHEMATIC (ECC-125)



ALPHA® ECOCUTTER PARTS LIST

DRAWING NO	PART NO	DESCRIPTION	MSRP
1	133080	Screw M5x40	1.03
2	130031	Self-tapping Screw 3.9x19	0.33
3	133033	Carbon Brush (2 pc set)	7.85
4	133032	Brush Cap	1.39
5	130618	Block Terminal	0.55
6	133040	Wire Terminal	0.27
7	133086	Cable Clamp	0.25
8	133042	Insulation Pipe	0.35
9	133034	Brush Terminal Assembly	2.05
10	133004	Field Coil 220V	41.81
10	133436	Field Coil 110V	41.81
11	133551	Hook & Loop Straps	2.23
12	133003	Rear Motor Housing (Blue)	14.95
13	133041	Cable Clip	0.37
14	133044	Rubber Switch Cover	0.70
15	133043	Switch (with Screw)	15.85
16	133392	Condenser Assembly	1.16
17	133029	Self-tapping Screw 4.8x65	0.54
18	133028	Bearing Sleeve	0.86
19	133078	Handle (for ECC-125)	3.95
20	133050	Woodruff Key	0.53
21	133051	Snap Ring M8	0.18
22	133030	Air Bridge	0.99
23	133025	Bearing 608-2RZ	6.49
24	133024	Insulation Disc	0.55
25	133439	Armature 110V	50.00
25	133012	Armature 220V	50.00
26	133026	Bearing Cover	0.28
27	133027	Bearing 629-2RZ	6.28
28	133048	Gear (Small)	9.53
29	133460	Self-tapping Screw 3.9x16	0.16
30	133493	Fan Case -Left	2.96
31	133505	Cap Screw M5 x 10	0.55
32	133497	Fan Case -Right	2.96
33	133531	Dust Gate	2.20
34	133530	Anti-Back-Flow Flap	1.33
35	133047	Cable Sleeve	1.19
36	133547	Rated Plate 220V	0.50

ALPHA® ECOCUTTER PARTS LIST

DRAWING NO	PART NO	DESCRIPTION	MSRP
36	133452	Rated Plate 110V	0.30
37	133475	Breaker Assembly (w/cord) 110V	20.75
37	133546	Breaker Assembly (w/cord) 220V	20.75
38	133474	Cord (w/o breaker) 110V	16.54
39	133533	Dust Hose	22.77
40	133532	Dust Bag Holder	2.67
42	133544	Dust Bag w/strap 17"x13-1/2"x12"	15.08
43	133503	Pulley (Outside) 21mm OD LHT Fan	7.18
44	133502	Felt Rings D19xD12xT2	1.01
45	133492	Bearing 698 2RS	9.04
46	133498	Spacer D12xd8.5x4T	2.75
47	133511	Knob Bolt	0.60
48	133500	Bearing Housing	11.33
50	133508	Outer Belt	9.96
51	133488	Pulley (Outside) 24mm OD RHT	7.22
52	133495	Fan	3.20
55	133496	Fan Shaft	6.03
56	133486	Housing Adapter	8.00
57	133483	Main Housing	22.90
58	801086	Side Handle (for AWS-125/ECC-125)	8.00
59	133522	Screws M4x15	0.50
60	133490	Pulley (Inside) 18mm OD RHT	7.07
63	133487	Pulley Shaft	6.62
64	133513	Screw M4x25	0.60
65	133545	Screw M5x40	0.60
66	133386	Gear Housing	10.82
67	133058	Gear (Big)	11.28
68	133066	Needle Bearing Bk 0810	6.34
69	133368	Gear Housing	9.99
70	133067	O-Ring (25.5x2)	0.24
71	133512	Screw M5x15	0.73
72	133529	Sleeve	2.92
73	133510	Outer Cover	2.04
74	133053	Bearing 6201-2RS	10.21
75	133060	Screw Cap	1.99

ALPHA® ECOCUTTER PARTS LIST

DRAWING NO	PART NO	DESCRIPTION	MSRP
76	133062	O-Ring (18x2.5)	0.25
77	133481	Spindle (for ECC-125)	10.24
78	133506	Pulley (Inside) 36mm OD Spindle	6.29
79	133509	Inner Belt	10.89
80	133514	Inner Cover	1.19
81	133515	Screw M5x30 (use part #133513)	2.55
82	133521	Side Cover	6.51
83	133519	Flange Bolt	5.85
84	133518	Flange Outer (for ECC-125)	3.27
85	133516	Flange Inner (for ECC-125)	7.58
86	133071	Flat Washer M6	0.19
87	133084	Wing Screw	1.06
88	133269	Washer For Ruler	0.70
89	133528	Guide Pin	3.64
90	130798	Retainer Ring-E	0.88
91	133527	TT Ruler Guide (for ECC-125)	10.02
92	133523	Base Plate Assembly	18.15
93	133072	Spring Washer M6	0.20
95	133535	Wrench 19mm (for ECC-125)	3.45
96	133534	Hexagon Ring Spanner	1.00
97	133369	Felt Strip Set	1.53
98	133615	Felt Rings D26.6xD12.5xT2	1.16
99	133616	Dust Shield D43xD23xT0.35	1.16
100	133696	Inner Cover Gasket (for ECC-125)	1.52
Not Shown	801392	Dust Bag for Carriage 16"x13-1/2"x8"	15.08
Not Shown	133536	BMC (Blow Mold Case) for ECC-125	36.22