

# MS 610 G, MS 610

EN	Operator's manual	2-23
FR-CA	Manuel d'utilisation	24-47
ES-MX	Manual del usuario	48-71

---

# Contents

---

Introduction.....	2	Maintenance.....	19
Safety.....	7	Troubleshooting.....	21
Assembly.....	10	Transportation, storage and disposal.....	21
Operation.....	12	Technical data.....	22

---

## Introduction

---

### Owner responsibility

---



**WARNING:** Cutting, especially when DRY cutting, generates dust that comes from the material being cut, which frequently contains silica. Silica is a basic component of sand, quartz, brick clay, granite and numerous other minerals and rocks. Exposure to excessive amount of such dust can cause:

Respiratory disease (affecting your ability to breath), including chronic bronchitis, silicosis and pulmonary fibrosis from exposure to silica. These diseases may be fatal;

Skin irritation and rash.

Cancer according to NTP\* and IARC\* \*/ National Toxicology Program, International Agency for Research on Cancer.

---



**WARNING:** Take precautionary steps:

Avoid inhalation of and skin contact with dust, mist and fumes.

Make sure that all bystanders wear appropriate respiratory protection such as dust masks designed to filter out microscopic particles. (See OSHA 29 CFR Part 1926.1153)

To minimize dust emissions, wet cut when feasible. If dry cutting is necessary, use the Vac unit.

---

It is the owner's/employer's responsibility that the operator has sufficient knowledge about how to use the product safely. Supervisors and operators must have read and understood the Operator's Manual. They must be aware of:

- The products's safety instructions.
- The products's range of applications and limitations.
- How the product is to be used and maintained.

National legislation could regulate the use of this product. Find out what legislation is applicable in the place where you work before you start using the product.

### Intended use

This product is designed and intended for cutting tile, stone, block and brick. All other use is improper.

The product is intended for use in industrial applications by experienced operators.

### Product description

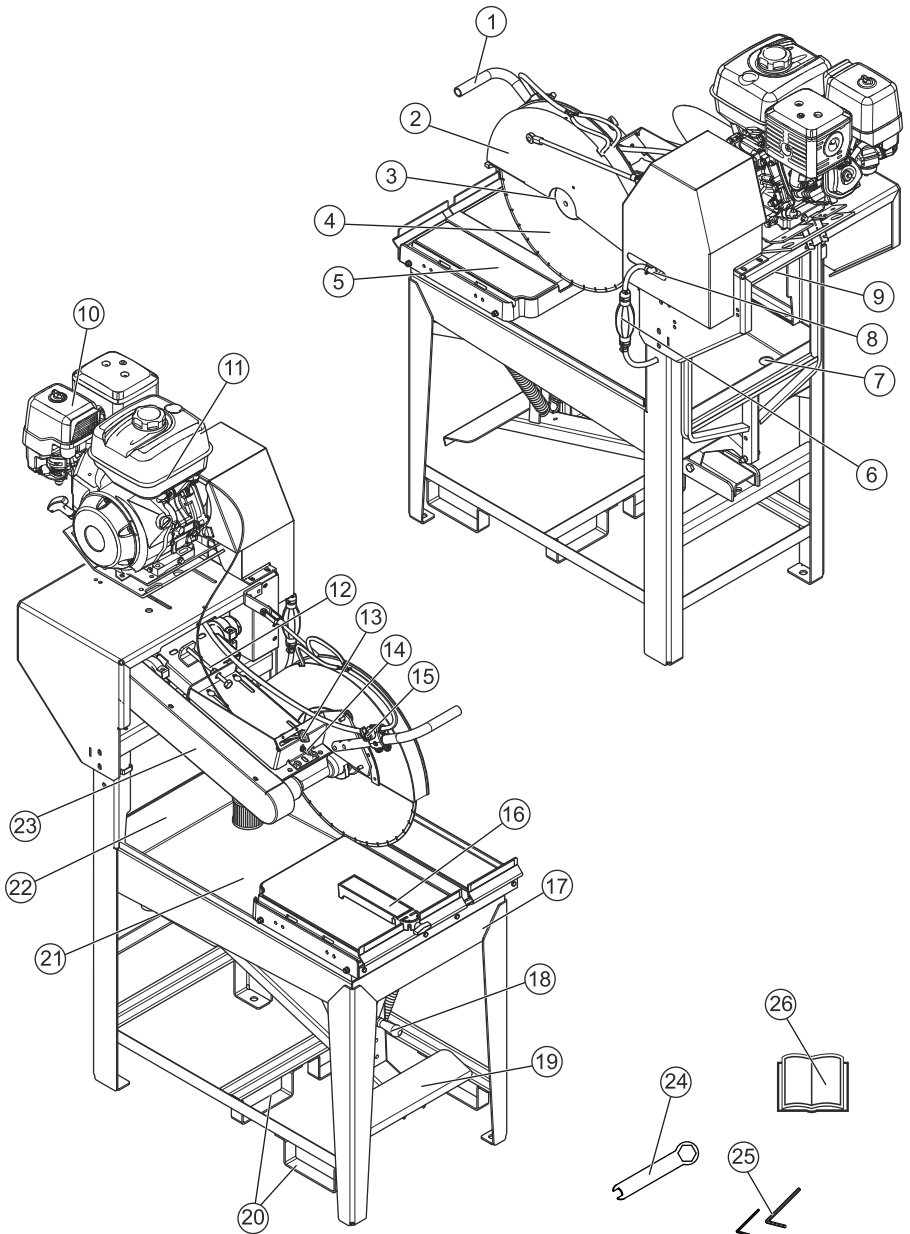
The MS 610 G, MS 610 are powerful transportable masonry and stone cutting-off saws, which are set up stationary during work. The MS 610 is the electrical version and the MS 610 G is the gasoline powered version.

Values such as high performance, reliability, innovative technology, advanced technical solutions and environmental considerations distinguish Husqvarna's products. Safe operation of this product requires the operator to read this manual carefully. Contact your dealer or Husqvarna for more information.

Some of the unique features of your product are described below.

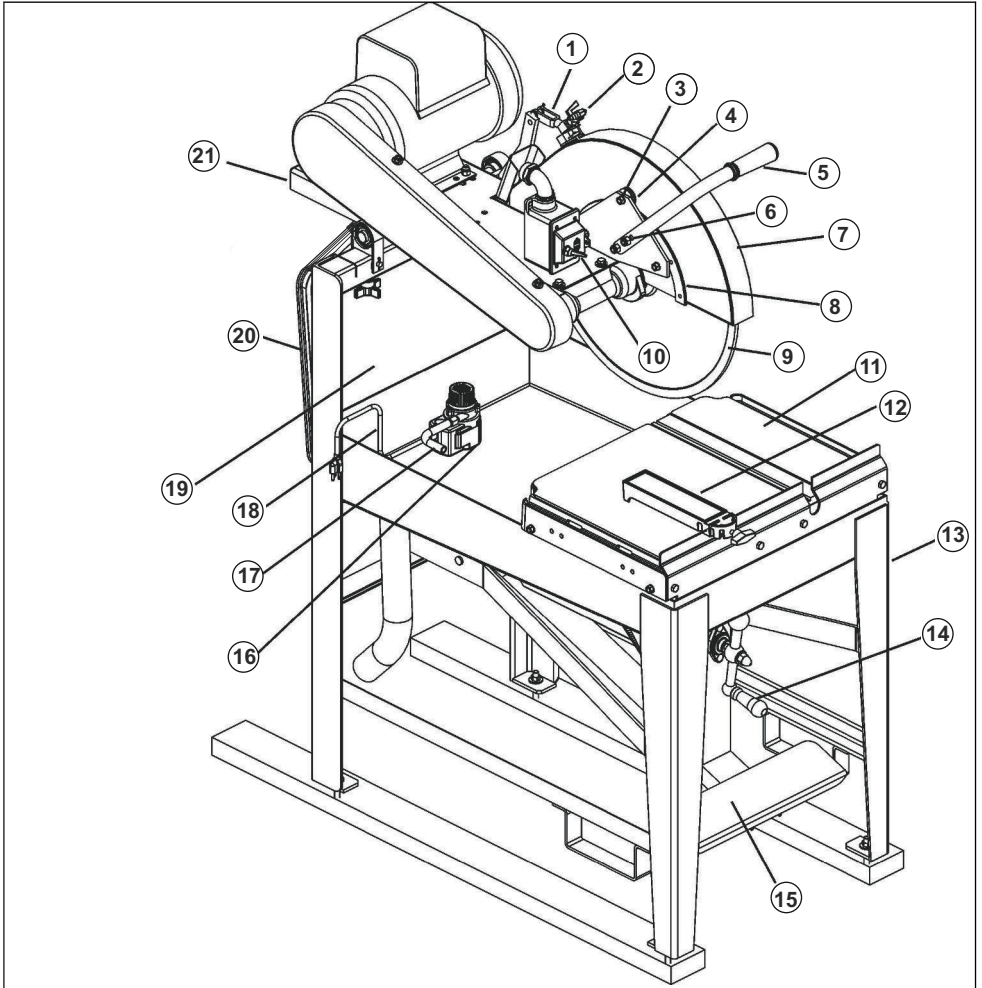
- The product has a capacity to cut material thickness over 7.5"(191 mm) in one cut and 15"(381 mm) in two cuts.
- Flexible plunge cutting.
- The large size blade flange Ø 3" (82mm) provides a large and good support surface for the blade.
- Blade clutch (option)

# Product overview (MS 610 G)



1. Handle, cutting arm
2. Blade guard
3. Outer flange
4. Blade
5. Conveyor cart
6. Primer pump
7. Drain plug
8. Type plate
9. Water pump
10. Engine air cleaner
11. Engine
12. Bladeshaft belt tension bolt
13. Throttle
14. Engine switch ON/OFF
15. Water knob, water to blade ON/OFF
16. Miter guide
17. Frame
18. Height adjustment handle
19. Foot pedal
20. Fork lift brackets
21. Water tray
22. Splash guard
23. Belt cover
24. Wrench
25. Allen key
26. Operator's manual

## Product overview (MS 610)



- |                                 |                                            |
|---------------------------------|--------------------------------------------|
| 1. Tilt arm                     | 13. Pan weldment                           |
| 2. Water valve                  | 14. Blade height control handle            |
| 3. Setscrew (Blade guard pivot) | 15. Foot pedal                             |
| 4. Wheel (Blade guard pivot)    | 16. Water pump                             |
| 5. Handle with grip             | 17. Water hose (Water pump to blade guard) |
| 6. Handle attaching hardware    | 18. Electrical cord (Water pump)           |
| 7. Blade guard assembly         | 19. Splash curtain                         |
| 8. Track bar                    | 20. Foot pedal yoke                        |
| 9. Blade (Diamond or Abrasive)  | 21. Head platform assembly                 |
| 10. Power switch (ON-OFF)       |                                            |
| 11. Conveyor cart assembly      |                                            |
| 12. Rip guide                   |                                            |

## Symbols on the product



**WARNING!** The product can be a dangerous tool if used incorrectly or carelessly, which can cause serious or fatal injury to the operator or others.



Please read the operator's manual carefully and make sure you understand the instructions before using the product.



Always wear:

- Hearing protection
- Protective goggles or a visor
- Breathing mask.



**WARNING!** Keep your hands and feet away from the blade.



**WARNING!** The guards should always be fitted on the product.



**WARNING!** Dust forms when cutting, this can cause injuries if inhaled. Use an approved breathing mask. Avoid inhaling exhaust fumes. Always provide for good ventilation.



**WARNING!** Sparks from the cutting blade can cause fire in combustible materials such as: petrol (gas), wood, clothes, dry grass etc.



**WARNING!** Ensure the blades are not cracked or damaged in any other way.



**WARNING!** Do not use circular saw blades.



Lock function.



Hot surface.



Throttle function, speed adjustment.

**Note:** Other symbols/decals on the product refer to special certification requirements for certain markets.

## **! WARNING**

The engine exhaust from this product contains chemicals known to the State of California to cause cancer, birth defects or other reproductive harm.

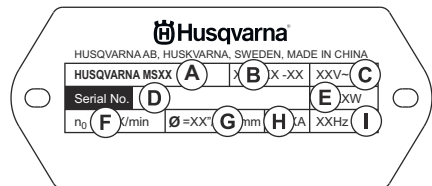
## **! ATTENTION!**

Les émissions du moteur de cet outil contiennent des produits chimiques qui, d'après l'Etat de Californie, peuvent causer le cancer, des malformations congénitales ou autre danger pour la reproduction.

## **! ATTENTION!**

Los gases de escape del motor de este producto contienen sustancias químicas conocidas en el Estado de California como causantes de cáncer, defectos congénitos y otros daños reproductivos.

## Type plate



A: Brand, type/model

B: Product number

C: Voltage

D: Serial No. with manufacturing date (YYYY, WW, XXXX): Year, Week, Sequence No

E: Nominal engine power, kW.

F: Rated spindle speed, RPM

G: Max cut-off wheel diameter

H: Rated current, Ampere (if applicable)

I: Input frequency

## Product liability

It is the owner's/employer's responsibility that the operator has sufficient knowledge about how to use the

product safely. Supervisors and operators must read and understand the Operator's Manual, and be aware of:

- the product's safety instructions.
- the product's range of applications and limitations.
- how to operate the product and do maintenance.

National legislation can limit the operation of this product. Find out what legislation is applicable where you do work before you start using the product.

Local regulations can limit the operation of this product. Find out what regulations are applicable where you do work before you start using the product.

---

## Safety

---

### Safety definitions

Warnings, cautions and notes are used to point out specially important parts of the operator's manual.



**WARNING:** Used if there is a risk of injury or death for the operator or bystanders if the instructions in the manual are not obeyed.



**CAUTION:** Used if there is a risk of damage to the product and/or the attachment, other materials or the adjacent area if the instructions in the manual are not obeyed.

**Note:** Used to give more information that is necessary in a given situation.

### General safety instructions

It is not possible to cover every conceivable situation you might be exposed to. Always exercise care and use your common sense. If you get into a situation where you feel unsafe, stop and seek expert advice. Contact your dealer, service agent or an experienced user. Do not attempt any task that you feel unsure of!



**WARNING:** Never use a product that has faulty safety equipment! If your product fails any checks contact your service agent to get it repaired. The engine should be switched off, and the stop switch in STOP position.



**WARNING:** Please read the operator's manual carefully and make sure you understand the instructions before using the product. It is recommended that first time operators also obtain practical instruction before using the product.



**WARNING:** Keep in mind that it is you, the operator that is responsible for not exposing people or their property to accidents or hazards.



**WARNING:** The product must be kept clean. Signs and stickers must be fully legible.



**WARNING:** The product can be a dangerous tool if used incorrectly or carelessly, which can cause serious or fatal injury to the operator or others.



**WARNING:** Never allow children or other persons not trained in the use of the product to use or service it.



**WARNING:** The product is not intended for use by persons (including children) with reduced physical, sensory or mental capabilities, or lack of experience and knowledge.



**WARNING:** Never allow anyone else to use the product without first ensuring that they have read and understood the contents of the operator's manual.



**WARNING:** Never use the product if you are fatigued, while under the influence of alcohol or drugs, medication or anything that could affect your vision, alertness, coordination or judgement.



**WARNING:** Unauthorized modifications and/or accessories may lead to serious injury or death to the user or others. Under no circumstances may the design of the product be modified without the permission of the manufacturer.



**WARNING:** Do not modify this product or use it if it appears to have been modified by others.



**WARNING:** Never use a product that is faulty. Carry out the safety checks, maintenance and service instructions described in this manual. Some maintenance and service measures must be carried out by trained and qualified specialists. See *Maintenance on page 19* for instructions.



**WARNING:** Always use genuine accessories.



**WARNING:** This product produces an electromagnetic field during operation. This field may under some circumstances interfere with active or passive medical implants. To reduce the risk of serious or fatal injury, we recommend persons with medical implants to consult their physician and the medical implant manufacturer before operating this product.

- Learn how to use the product and its controls safely and learn how to stop quickly. Also learn to recognize the safety decals.
- Keep handles dry, clean and free from oil and grease.
- Do not overreach. Keep proper footing and balance at all times.
- Never stand on the product.
- Stand upright. Keep distance between your face and the cutting blade. Place both hands on the work piece as far away from the cutting blade as possible. If plunge function is used, place one hand on the cutting handle.

## Safety instructions for assembly

- Make sure the engine switch is in the "OFF" position before assembly.
- Check that the product is assembled correctly and not damaged. Do not use a damaged product.
- Do not use the product if it is changed from its initial specification. Do not change a part of the product without approval from the manufacturer. Only use parts approved by the manufacturer.

## Safety instructions for operation

### Work area safety

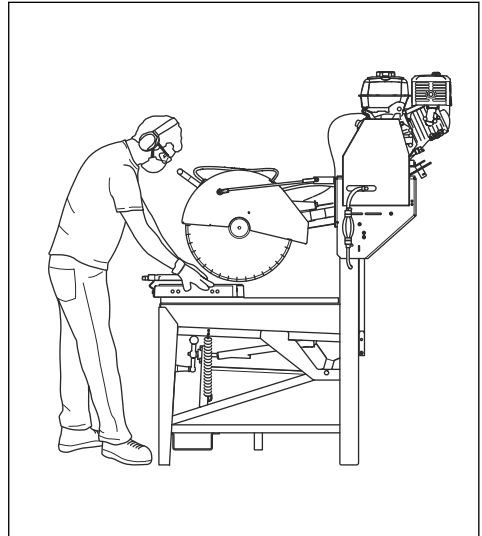


**WARNING:** Keep unauthorized persons at a distance. You are responsible to make sure that animals and bystanders are not within the working area.

- Keep work area clean and well lit. Cluttered or dark areas increases the risk of accidents.
- People and animals can distract you causing you to lose control of the product. For this reason, always remain concentrated and focused on the task.
- Do not use the product in bad weather, such as dense fog, heavy rain, strong wind, intense cold, etc.
- Never start to work with the product before the working area is clear and you have a firm foothold.

### Personal safety

- Never use the product if you are fatigued, while under the influence of alcohol or drugs, medication or anything that could affect your vision, alertness, coordination or judgement.
- Check that no tools or other objects are placed on the product.
- Never allow anyone else to use the product without proper training.
- Always shut off the product during longer work breaks.
- Never work alone, always ensure there is another person close at hand.



### Personal protective equipment



**WARNING:** Products such as cutters, grinders or drills, that sand or form material can generate dust and vapors, which may contain hazardous chemicals. Check the nature of the material you intend to process and use an appropriate breathing mask.



**WARNING:** Always use approved hearing protection. Long-term exposure to noise can result in permanent hearing impairment. Be aware of warning signals or shouts when you are wearing hearing protection. Always remove your hearing protection as soon as the motor stops.



**WARNING:** There is always a risk of crush injuries when working with products containing moving parts. Wear protective gloves to avoid body injuries.





**WARNING:** Sparks may appear and start a fire when you work with the product. Always keep fire fighting equipment handy.

You must use approved personal protective equipment when you use the product. Personal protective equipment cannot eliminate the risk of injury but it will reduce the degree of injury if an accident does happen. Ask your dealer for help in choosing the right equipment.

Always wear:

- Approved protecting helmet.
- Hearing protection.
- Approved eye protection. If you use a face shield then you must also wear approved protective goggles. Approved protective goggles must comply with standard ANSI Z87.1 in the USA or EN 166 in EU countries. Visors must comply with standard EN 1731.
- Approved respiratory protection.
- Protective gloves.
- Heavy-duty, firm grip gloves.
- Tight-fitting, heavy-duty and comfortable clothing that permits full freedom of movement. Cutting generates sparks that can ignite clothing. Husqvarna recommends that you wear flame-retardant cotton or heavy denim. Do not wear clothing made of material such as nylon, polyester or rayon. If ignited such material can melt and cling to the skin. Do not wear shorts.
- Boots with steel toe-caps and non-slip sole.

Always have a first aid kit and firefighting equipment nearby.

## Safety devices on the product



**WARNING:** Never use a product that has faulty safety equipment! If your product fails any checks contact your service agent to get it repaired. Shut off the product.

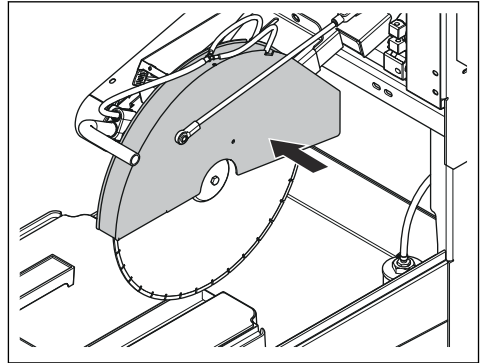
This section describes the product's safety equipment, its purpose, and how checks and maintenance should be carried out to ensure that it operates correctly.

### Blade guard



**WARNING:** Never use the product without a guard or with a defective guard. Always check that the guard is correctly fitted before starting the product. It is not permitted to expose the blade more than 180 degrees without protection.

The blade guard is designed to prevent parts of the blade or cutting fragments from being thrown towards the user.



### Engine ON/OFF switch

To check the engine OFF switch.

- Turn the engine start switch to OFF position.
- Check that the motor is shut off and the blade is not rotating.

A defective engine start switch should be replaced by an authorized service workshop.

### Water pump



**WARNING:** Do not run dry. The pump may only be used together with the products in this manual and shall be used in accordance with the directions in the manual.

## Safety instructions for maintenance



**WARNING:** The user must only carry out the maintenance and service work described in this manual. More extensive work must be carried out by an authorized service workshop. Wear personal protective equipment, see *Personal protective equipment on page 8*.



**WARNING:** Make sure the engine switch is in OFF position before carrying out any checks or maintenance

## Electrical safety



**WARNING:** There is always a risk of shocks from electrically powered machines. Avoid unfavourable weather conditions and body contact with lightning conductors and metal objects. Always follow the instructions in the Operator's manual to avoid damage.



**WARNING:** Never connect the machine to a power outlet if the plug or cord is damaged.

---



**WARNING:** When cleaning the machine make sure not to get water in the electrical system and the motor unit. Water can cause damage to the machine or short circuit the motor.

---

- Check that the mains voltage corresponds with that stated on the rating plate on the machine.
- Inspection and maintenance must be done with the motor switched off and the power plug disconnected.
- Always turn off the machine before disconnecting the power plug.
- Do not pull the machine in the power cord and never disconnect the power plug by pulling the power cord. Hold the power plug to disconnect the power cord.
- Do not use the machine if the cables or the power plug is damaged. Let a qualified technician repair it.
- Always connect the machine with a ground fault circuit interrupter that trips a ground fault of 30 mA.
- Make sure the power switch is in the OFF position before connecting the machine to a power outlet to prevent unintentional start.

### Grounding instructions

---



**WARNING:** Improper connection can result in electric shock. Contact a qualified electrician to make sure the appliance is correctly grounded.

---



**WARNING:** Do not modify the power plug. If it does not fit the power outlet, contact a

---

qualified electrician to install a correct power outlet. Make sure local regulations and laws are followed.

---



**WARNING:** If the grounding instructions are not fully understood, contact a qualified electrician .

---

- The machine has a grounded cord and power plug and must always be connected to a grounded power outlet to prevent electric shock if there is a malfunction.

### Extension cords and cables

- The marking on the extension cable must be the same or higher than the value stated on the rating plate on the machine.
- Use grounded extension cables.
- When operating a power tool outdoors, use an extension cord for outdoor use.
- Keep the connection to the extension cord dry and not on the ground.
- Keep the cables from heat, oil, sharp edges or moving parts. Damaged or entangled cables increase the risk of electric shock.
- Make sure the cord and extension cord are not damaged. Do not use the machine if the cables or the power plug is damaged. Let a qualified technician repair it.
- Do not use the extension cord when it is rolled up. It can be overheated.
- Only use certified extension cords with correct length.

---

## Assembly

---

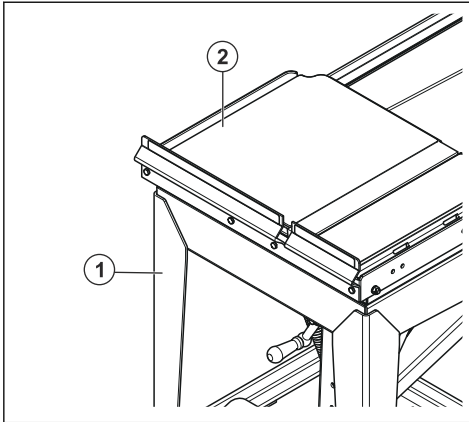
### Introduction

Place the saw on a flat, horizontal and stable surface to prevent the equipment from tipping over, sliding or moving around on the surface.

### To assemble the product

The product consists of two parts, frame (1) and conveyor cart (2).

1. Position the conveyor cart onto the frame.



2. Make sure the wheels of the conveyor cart roll along the sides of the frame.

### To fit the blade

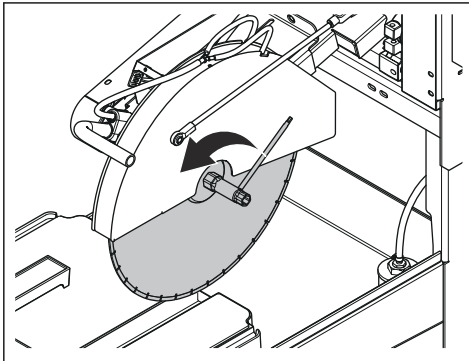


**WARNING:** The engine must be switched off and the stop switch must be in STOP position.



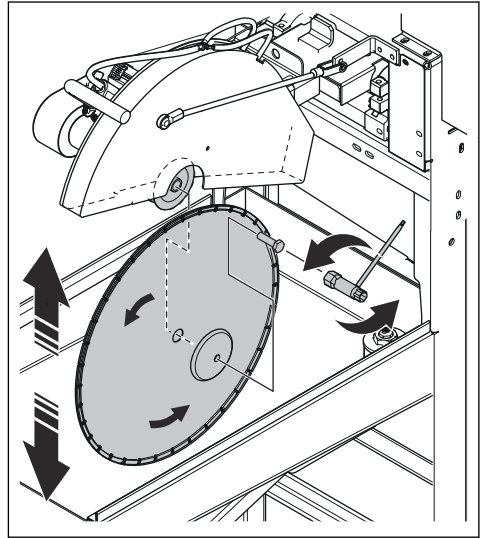
**WARNING:** Always use heavy-duty gloves when handling the blade. The blade is extremely sharp and can easily cause cuts.

1. Remove the blade nut.



2. Remove the blade flange.
3. Check that the blade, blade flange, and blade shaft are undamaged. Clean the contact surfaces of the blade and the blade flange.

4. Fit the blade, blade flange, and nut. Make sure that the blade will rotate in the direction indicated by the arrow on the blade.



### To set the depth stop



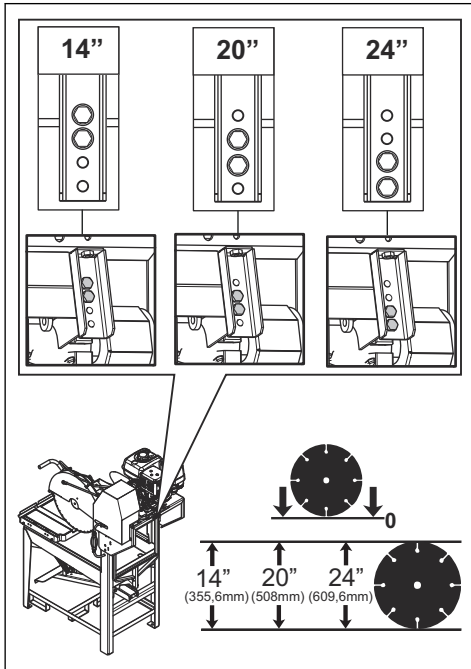
**CAUTION:** The depth stop should be set when the blade is not rotating. Check the stop depth regularly or there is a risk that the cutting slot and the water system will not function correctly.

**Note:** The depth stop should be adjusted when switching to other blade sizes.

Set the depth stop so that the blade gets maximum depth without cutting into the cart.

1. Remove the mounted blade.

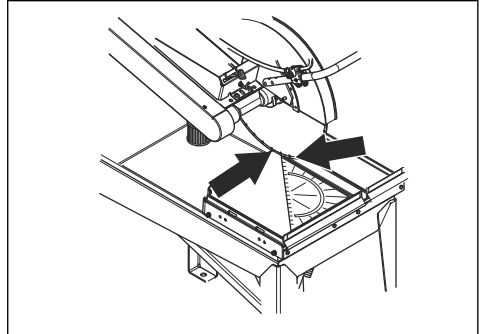
2. Move the depth stop to desired position as shown in the image.



3. Tighten the locking nuts for the depth adjustment.
4. Mount correct blade size in relation to the depth stop setting.
5. Check the position of the blade by moving the conveyor cart to its forward and rear end position. The blade should never hit the cart.

### To center the blade in the cutting slot

1. Set the blade to run freely and in its lowest position in the cutting slot.
2. Use a set square and check if the blade is perpendicular.



3. Examine front and back edge of the blade to the conveyor cart anvil.
4. Examine if the blade is centered in the cutting slot.

## Operation

### Introduction



**WARNING:** Never use a diamond blade to cut plastic material. Cutting metal generates sparks that may cause fire. Do not use the product near ignitable substances or gases.



**CAUTION:** Under all circumstances avoid grinding using the side of the blade; it will almost certainly be damaged or break and can cause immense damage. Only use the cutting section.

Experience is very important when running the product. A skilled worker is highly recommended.

- Do not overload the product. Overloading can damage the product.
- If you are uncertain of what blade to use contact your local service dealer.
- Never leave the product unsupervised with the motor running.
- Keep tools sharp and clean in order to enable safer work.

- Check that the blade is fitted correctly and does not show signs of damage. See section *Assembly on page 10* for instructions.
- Check that the correct blade is used for the application in question.
- Never cut asbestos materials!

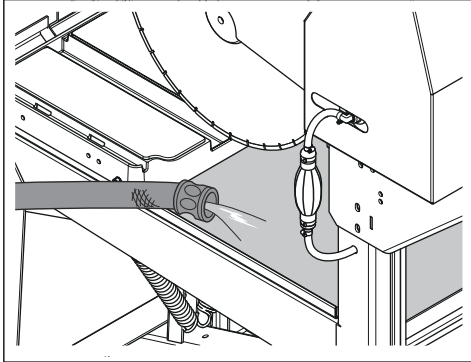
### Before starting

- Please read the operator's manual carefully and make sure you understand the instructions before using the product.
- Wear personal protective equipment, see *Personal protective equipment on page 8* for instructions.
- Check that the fuel cap is properly secured, and that there is no fuel leakage.
- Make sure no unauthorized persons are in the working area, otherwise there is a risk of serious personal injury.
- Prevent unintentional starting. Ensure the switch is in the OFF-position.
- The cutting blade rotates when the engine is started. Make sure it can rotate freely.

- Check that the product is assembled correctly and do not show any signs of damage. See section *Assembly on page 10* for instructions.
- Perform daily maintenance. See section *Daily maintenance on page 19* for instructions.
- Check that the blade is not in contact with the conveyor cart so that it can not damage the cutting slot.

### To fill with coolant

**Note:** Make sure the water level is always above the low walls where the pump is located.

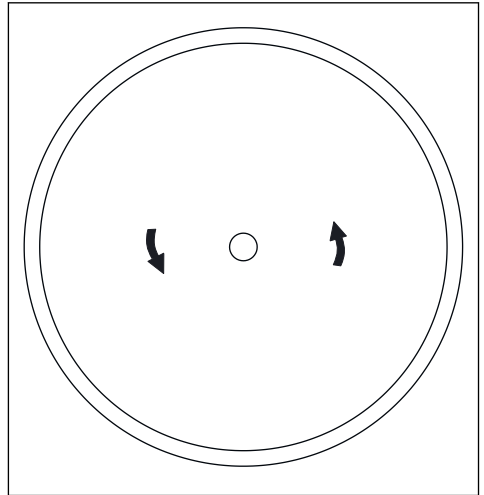


### Blades



**WARNING:** Blades can break and cause serious injuries to the user. Diamond blades become very hot when used. An overheated blade is a result of improper use, and may cause deformation of the blade, resulting in damage and injuries.

- Do not use an overheated blade.
- The blade shall be intended for the material to be cut.
- Feed the work piece against the rotation of the blade only!
- Make sure that the correct bushing is used for the cutting blade to be fitted on the product. See *To fit the blade on page 11*.
- The blades should be marked with the same or a higher speed than that stated on the product's rating plate. Never use a blade with a lower speed rating than that of the product.
- When using diamond blades make sure that it rotates in the direction indicated by the arrow on the blade.



- Diamond blades consist of a steel core provided with segments or a continuous rim containing industrial diamonds.

### Blades for different materials



**WARNING:** Only use a blade for intended materials.

- Never cut plastic materials with a diamond blade! The plastic material melts due to the heat produced when cutting and sticks to the blade.
- Blade selection should be made according to the material being cut. Ask your dealer for help in choosing the right product.
- Do not use abrasive blades.

### Blade vibrations

- The blade can become out of round and vibrate if a too high feed pressure is used.
- A lower feed pressure can stop the vibration. Otherwise replace the blade.

### Diamond blades



**WARNING:** Never use a diamond blade to cut plastic material. The heat produced during cutting may melt the plastic and it can stick to the cutting blade and cause a kickback.



**WARNING:** Diamond blades become very hot when used. An overheated blade is a result of improper use, and may cause deformation of the blade, resulting in damage and injuries.

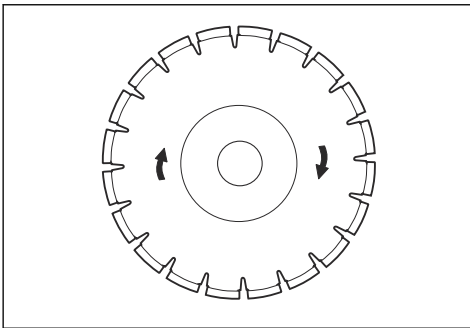


**WARNING:** Cutting metal generates sparks that may cause fire. Do not use the product near ignitable substances or gases.

**Note:** Diamond blades are available in several hardness classes.

**Note:** Sharpen the blade by cutting soft material such as sandstone or block.

- Always use a sharp diamond blade.
- Diamond blades can become dull when the wrong feeding pressure is used or when cutting certain materials such as heavily reinforced concrete. Working with a dull diamond blade causes overheating, which can result in the diamond segments coming loose.
- Diamond blades consist of a steel core provided with segments that contain industrial diamonds.
- Diamond blades are ideal for masonry, reinforced concrete and other composite materials.
- Diamond blades ensure lower costs per cutting operation, fewer blade changes and a constant cutting depth.
- Special blades should be used when cutting metal. Ask your dealer for help in choosing the right product.
- When using diamond blade make sure that it rotates in the direction indicated by the arrow on the blade.



### Toothed blades

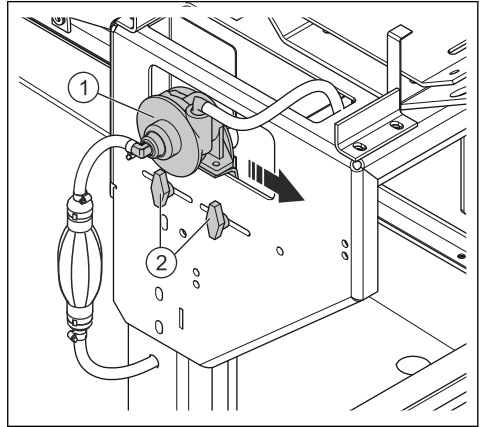


**WARNING:** Never use toothed blades such as wood cutting blades, circular toothed blades, carbide tipped blades etc. Carelessness can result in serious personal injury or even death.

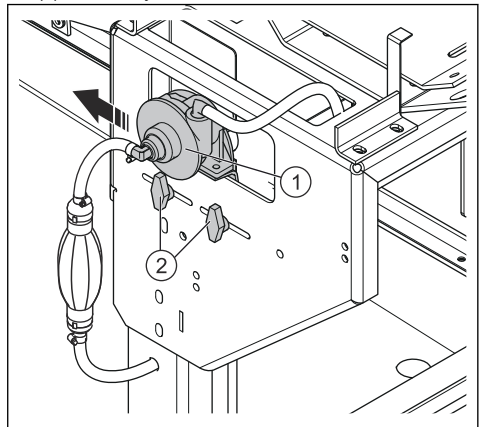
### To engage and disengage the waterpump (MS 610 G)

1. Make sure that the water pump (1) is engaged before cutting the material.

2. Push the water pump knobs (2) all the way to the right to engage the water pump.



3. To disengage the water pump (1), push the knobs (2) all the way to the left.



### Fuel handling



**WARNING:** Running an engine in a confined or badly ventilated area can result in death due to asphyxiation or carbon monoxide poisoning. Fuel and fuel fumes are highly flammable and can cause serious injury when inhaled or allowed to come in contact with the skin. For this reason observe caution when handling fuel and make sure there is adequate ventilation. The exhaust fumes from the engine are hot and may contain sparks which can start a fire. Never start the product indoors or near combustible material! Do not smoke and do not place any hot objects in the vicinity of fuel.



**WARNING:** When storing and transporting fuel always use approved containers intended for this purpose.

**Note:** The product is equipped with a four-stroke engine. Make sure there is always sufficient oil in the engine.

## Gasoline



**CAUTION:** Running the engine on a lower octane grade than 87 can damage the engine.

- Use good quality unleaded gasoline.
- The lowest recommended octane grade is 87 ((RON +MON)/2). If you run the engine on a lower octane grade than 87 so-called knocking can occur. This gives rise to a high engine temperature and increased bearing load, which can result in serious engine damage.

## Engine oil



**CAUTION:** A too low oil level can cause serious damage to the engine. See instructions in the section *Maintenance on page 19*.



**CAUTION:** Never use oil intended for two-stroke engines.

- Check the oil level before starting the product.

## To add fuel

To minimize the risk of fire:

- Do not smoke.
- Do not place any hot objects in the vicinity of fuel.
- Always stop the engine and let it cool for a few minutes before refueling.
- When refuelling, open the fuel cap slowly so that any excess pressure is released gently.
- Clean the area around the fuel cap.
- Tighten the fuel cap carefully after refueling. If the cap is not properly tightened the cap might vibrate lose and fuel may escape from the fuel tank creating a fire hazard.

Never start the product:

- If you have spilled fuel or engine oil on the product, wipe off the spillage and allow remaining fuel to evaporate.
- If you have spilled fuel on yourself or your clothes, change your clothes. Wash any part of your body that has come in contact with fuel. Use soap and water.

- If the product is leaking fuel. Check regularly for leaks from the fuel cap and fuel lines.

## To start the product (MS 610 G)



**WARNING:** Pay special attention on clutchless product's, blade starts rotating at start.

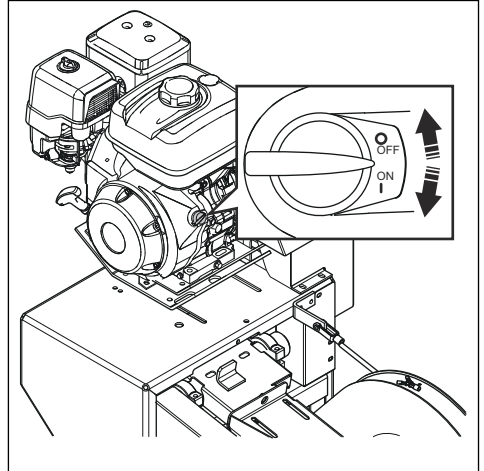


**CAUTION:** Do not move the saw sideways or out of the working area with blade installed and rotating.



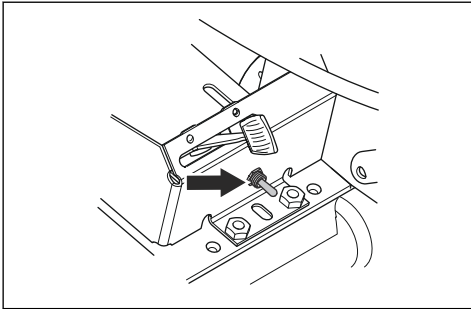
**CAUTION:** Do not pull the starter cord all the way out and do not let go of the starter handle when the cord is fully extended. This can damage the product.

1. Activate the water pump, see *To reduce dust and cool the blade on page 18*. The water pump starts automatically when the product is started.
2. Move the fuel lever to the **ON** position.

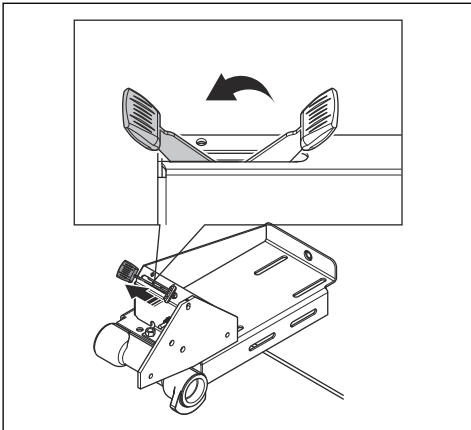


3. Move the choke lever to the **CLOSED** position (cold engine).
4. Move the throttle lever away from the **MIN** position, about 1/3 of the way toward the **MAX** position.

5. Turn the engine start switch to the **ON** position.



6. Grip the starter handle, slowly pull out the cord with your left hand until you feel some resistance (the starter pawls grip), now quickly and powerfully pull the cord. **Never wrap the starter cord around your hand.**
7. Repeat pulling the cord until the engine starts.
8. Let the engine warm up for several minutes with engine throttle at idle speed (minimum).



## To start the product (MS 610)



**WARNING:** ALWAYS set the power switch to the OFF position before connecting to a power source. The electric motor will run if the power switch is in the ON position.

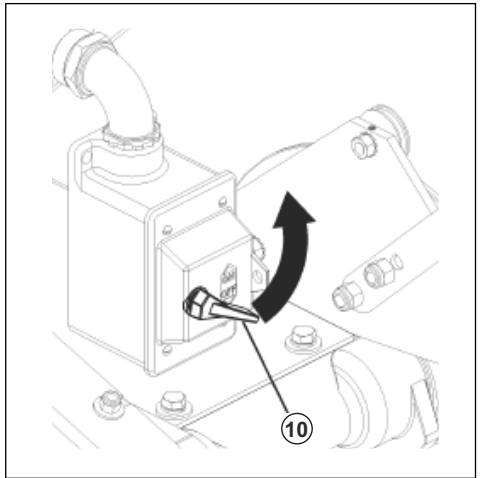


**WARNING:** Keep hands clear of rotating blade during operation. Read all safety warnings before operating this machine.



**CAUTION:** Do not move the saw sideways or out of the working area with blade installed and rotating.

1. Turn the power switch (10) to the ON position to start the electric motor.



2. Open the water valve fully and check the water flow before cutting.

## To stop the product (MS 610 G)

1. Turn the engine throttle knob to the low idle position.
2. Turn the engine start switch to **OFF** position.
3. Make sure that the engine is shut off.
4. Make sure that the cutting blade can rotate freely until it is completely stopped.

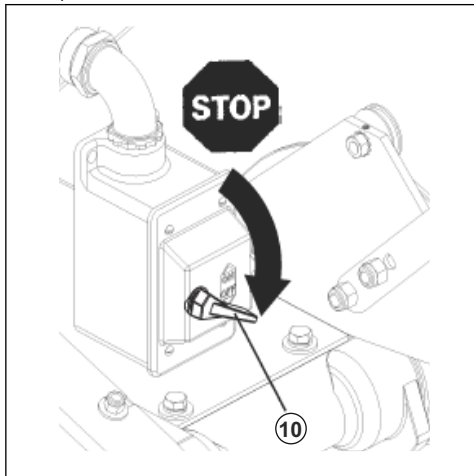
## To stop the product (MS 610)



**WARNING:** Stop the machine and wait for the blade to stop before removing the material from the machine.

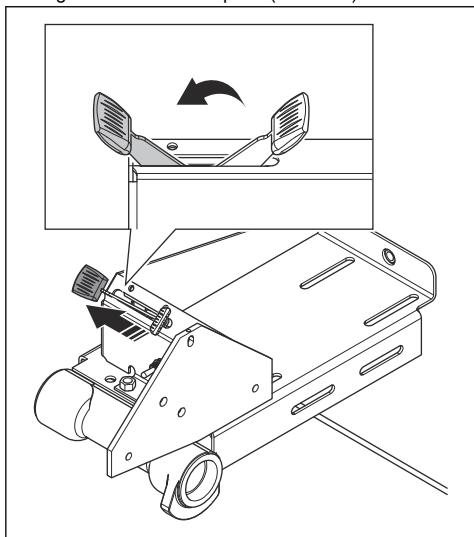


1. Turn the power switch (10) to the OFF position to stop the machine.

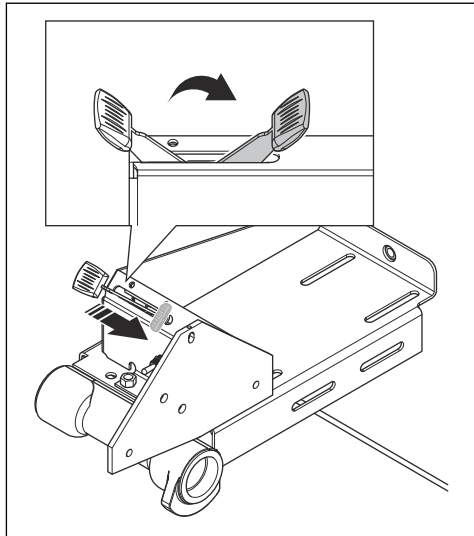


### To cut with throttle (MS 610 G)

1. Let the engine warm up for several minutes with engine throttle at idle speed (minimum).



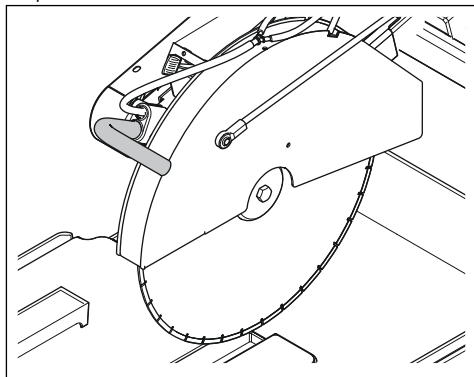
2. Open the engine throttle full open.



3. Start sawing, all sawing is done at full throttle.

### To cut with the cutting arm handle

1. Hold the handle and lower the blade to cut the work piece.

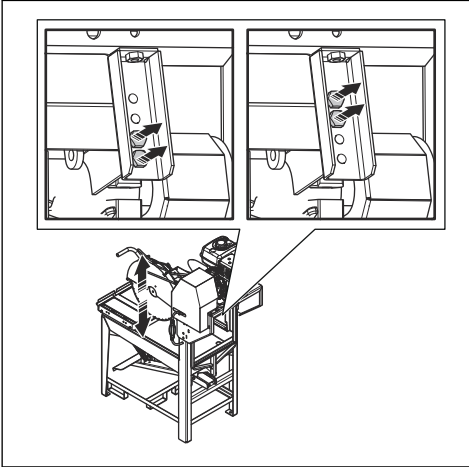


2. Release the force from the handle to stop the cutting.

### To cut with plunge cutting (MS 610 G)

The cutting arm is spring loaded and adjustable up and down.

1. Remove the screws and move the depth stop bracket depending on the blade size. Tighten the screws again. Adjust the depth stop with the stop screw.



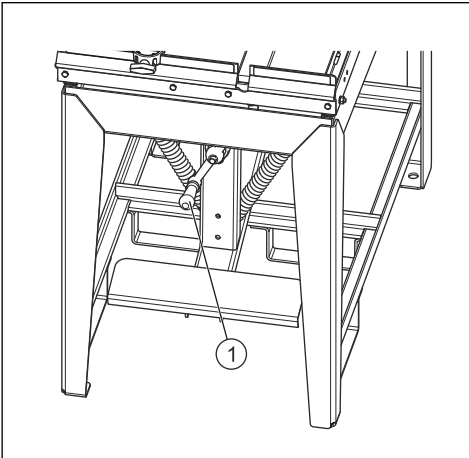
2. Using the foot pedal and/or the handle on the cutting arm, the cutting blade can be pulled down and create a plunge cut in the work piece.

### To cut with plunge cutting (MS 610)

1. Use the foot pedal and/or the handle on the cutting arm to pull down the cutting blade and create a plunge cut in the work piece

### To cut with fixed cutting head

1. Position the cutting head to the desired height by turning the height adjustment handle (1).

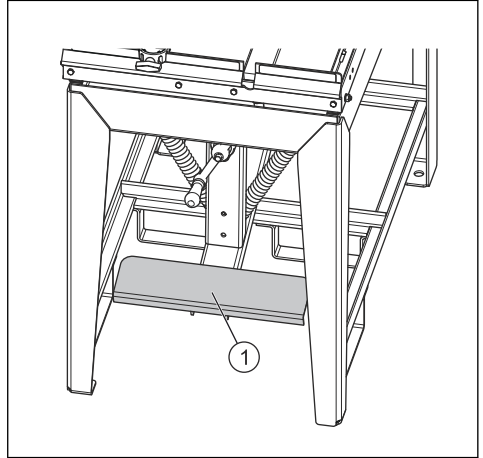


2. Stop turning the handle when desired height is reached.

3. Start cutting.

### To cut with the foot pedal

1. Position the conveyor cart to the front of the saw.
2. Place the work piece on the conveyor cart.
3. Push the foot pedal (1) to lower the blade to start cutting.



4. Release the foot pedal to return the blade to upper position.

### To reduce dust and cool the blade

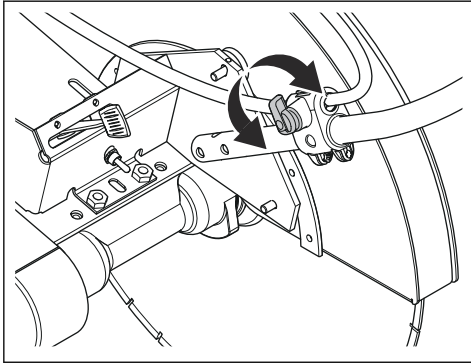
The water system circuit is used to reduce dust and cool the blade. The water from the water pump is distributed to the blade.

**Note:** The water pump has on/off valve to control and adjust the water flow.

Adjust water flow to bind the cutting dust. The volume of water required varies depending on the type of job at hand.

- The valve on the water tank adjusts the flow of water to the channel in the conveyor cart.

- The valve on the blade guard adjusts the flow from the water pump to the blade.



## To manage the dust

The product is fitted with a low flushing water kit that offers maximum dust suppression.

1. Use wet cutting blades for optimal dust management.
2. Adjust water flow using the tap to bind the cutting dust.

The volume of water required varies depending on the type of job at hand.

If water hoses loosen from their supply sources, this indicates that the product is connected to a water pressure that is too high.

## Maintenance

### Introduction



**WARNING:** All types of repairs may only be carried out by authorized repairmen. The user must only carry out the maintenance and service work described in this operator's manual.



**WARNING:** To prevent accidental starting, the steps described in this section must be performed with the motor off and the power cable removed from the socket, if not otherwise stated. The life span of the product can be reduced and the risk of accidents can increase if product maintenance is not carried out correctly and if service and/or repairs are not carried out professionally. If you need further information please contact your nearest service dealer.

- Always disconnect the power cable before carrying out service.
- Please see the engine manufacturer operator's manual for additional information about servicing the engine.
- Let you Husqvarna dealer regularly check the product and make essential adjustments and repairs.
- Keep all parts in good working order and ensure that all fixtures are properly tightened. Replace all worn or damaged decals.

### Daily maintenance

- Check engine oil.



**CAUTION:** See engine manufacturer operator's manual for proper care and maintenance.

- Check that the product's safety equipment is undamaged. See section *Safety devices on the product on page 9* for information.
- Clean the outside of the product. Do not use a high pressure washer to clean the saw.
- Do not use water to clean the motor and electric cabinet.
- Open the blade guard. Clean both the inside and outside, and close the blade guard.
- Loosen the conveyor cart's two collection trays, both the rear and the front, and clean them.
- Loosen the water collecting tray and clean it.

### To do the maintenance on water pump



**WARNING:** Never clean motor and electric parts with water.

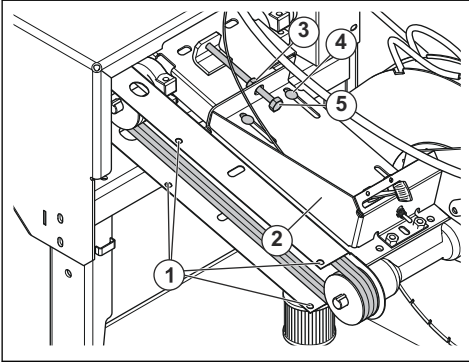
1. Run through the water system for a short period in order to prevent hoses getting blocked with slurry.

### To tension the blade shaft belt (MS 610 G)



**CAUTION:** When replacing the blade shaft belt, make sure to replace it with a belt that is recommended by Husqvarna.

1. Remove the nuts (1) and the drive belt cover.



2. Loosen the bolts (4) holding front of the cutting head assembly (2).
3. Loosen the nut on the belt tensioner (3).
4. Adjust the belt tensioner until the correct belt tension is achieved (5).
5. Make sure the belt is correctly tensioned (40 Hz).
6. Tighten the nut (3) on the belt tensioner (5).
7. Tighten the bolts (4) of the cutting head assembly (2) to lock and secure the belt tension

2. Loosen the nut on the belt tensioner (2).
3. Adjust the belt tensioner until the correct belt tension is achieved (3).
4. Make sure the belt is correctly tensioned (40 Hz).
5. Tighten the nut (2) on the belt tensioner (3).
6. Tighten the 4 screws (1).

### To tension the engine belt (MS 610)

Check the V-belt when unit is new and make sure the belt is correctly tensioned (40Hz). The saw has a high tension V-belt. The belt is correctly tensioned at the factory but after a few hours use the belt will be stretched and needs tensioning.

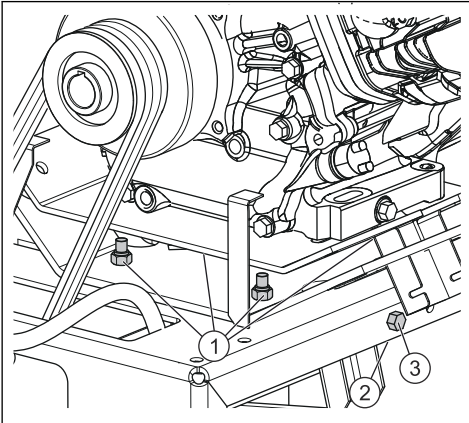
1. Loosen the 4 capscrews (1) that attach the motor.
2. Tighten the belt tensioning bolt (2) at the rear of the saw until the belt has correct tension (40Hz)
3. Tighten the 4 capscrews that attach the motor.

### To tension the engine belt (MS 610 G)



**CAUTION:** When replacing the engine belt, make sure to replace it with a belt that is recommended by Husqvarna.

1. Loosen the 4 screws (1), do not remove them.



# Troubleshooting

## Troubleshooting

manual. More extensive work must be done by an authorized service workshop.



**WARNING:** The user must only do the service work described in this operator's

Trouble (MS 610)	Solution
Motor stops during operation.	1. Do a check of all electrical connections. If they are damaged, contact a qualified electrician.
	2. The manual overload switch has been tripped: Single phase 60Hz motors have a manual overload reset button. If the motor stops because of an electrical overload and the overload reset button trips, turn the motor power switch to the OFF position. Allow the motor to cool for 5 to 10 minutes and then push the reset button. A click indicates that the motor is reset and ready for operation. Restart the motor by turning the power switch to the ON position.

## Transportation, storage and disposal

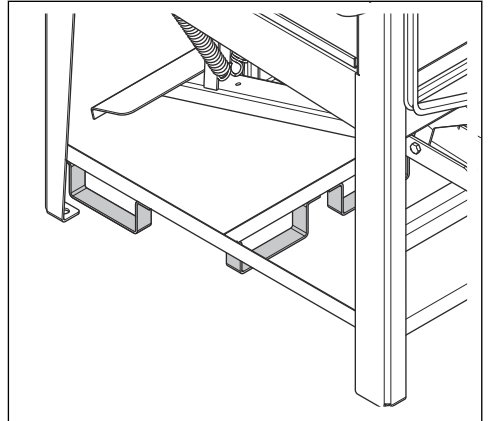
### Transportation



**CAUTION:** Secure the product during transportation in order to avoid transport damage and accidents.

- Remove the blade before transportation of the product.
- Inspect new blades for transport damage.
- Transport the product and fuel so that there is no risk of any leakage. Make sure that fumes can't come into contact with sparks or open flames, for example, from electrical machinery, electric motors, electrical relays/ switches or boilers.
- Observe care when lifting. You are handling heavy parts, which imply the risk of pinch injuries or other injuries.
- Stop the engine before lifting or moving the product. Empty the water tray through the hole in the bottom of the water tray.

- Lift the product by forklift using the lifting brackets.

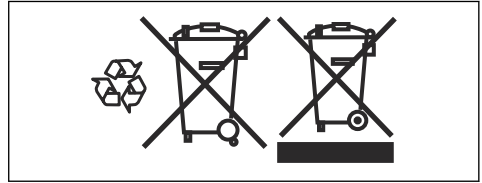


### Storage

- Remove the blade before storage of the product.
- Inspect the blades for storage damage.
- Store the blade in a dry place.
- Store the product and fuel so that there is no risk of any leakage. Make sure that fumes can't come into contact with sparks or open flames, for example, from electrical machinery, electric motors, electrical relays/ switches or boilers.

- When storing the product for long periods the fuel tank must be emptied. Contact your local gas station to find out where to dispose of excess fuel.
- Stop the engine/motor before lifting or moving the product. Empty the water tray through the hole in the bottom of the water tray.
- Secure the equipment.
- Store the product in a lockable area so that it is out of reach of children and unauthorized persons.

on the environment and people that can otherwise result through the incorrect waste management of this product. For more detailed information about recycling this product, contact your municipality, your domestic waste service or the shop from where you purchased the product.



## Disposal

Symbols on the product or the packaging of the product indicate that this product cannot be handled as domestic waste. It must be submitted to an appropriate recycling station for the recovery of electrical and electronic equipment.

By ensuring that this product is taken care of correctly, you can help to counteract the potential negative impact

---

## Technical data

---

### Technical data (MS 610 G)

Product type, model	MS 610 G
Engine*	Kohler CH440
Power, Hp/kW**	14/10.4
Speed, rpm	3600
Oil tank capacity, US quart/liter	1.4/1.3
Fuel tank capacity, quart/liter	7.8/7.3
Weight, lb/kg	485.8/220.3
Size (LxWxH), inch/mm	58,2x27,2x75,6 / 1480x690x1920

\*For further information and questions about this specific engine please see, [www.kohlerengines.com](http://www.kohlerengines.com).

\*\*As specified by engine manufacturer. The power rating of the engines indicated is the average net power output (at specified rpm) of a typical production engine for the engine model measured to SAE J1349. Mass production engines may differ from this value. Actual power output for the engine installed in the final product will depend on the operating speed, environmental conditions and other variables

Water cooling	
Water pump Qmax, g/h / l/h	300/1140
Water tank capacity, gal/l	5,7/26

<b>Cutting equipment</b>	<b>14"</b>	<b>20"</b>	<b>24"</b>
Max spindle speed, rpm	3100	3100	3100
Blade size - max, inch/mm	14/355	20/508	24/609
Cutting depth - max, inch/mm	5/127	8/203	10/254
Cutting length – max, inch/mm	15/380	15/380	15/380
Arbor size, inch/mm	1/25,4	1/25,4	1/25,4

## Technical data (MS 610)

<b>Product type, model</b>	<b>Electric MS 610</b>	<b>Electric MS 610</b>	<b>Electric MS 610</b>	<b>Electric MS 610</b>
Motor	Baldor	Baldor	Baldor	Baldor
Power, Hp	5	3	5	7.5
Max. blade guard capacity, inch/mm	14/350	24/609	24/609	24/609
Blade shaft, rpm	3090	2350	2350	2350
Max. depth of cut inch/mm	5.0/127	10.0/254		
Blade arbor size inch/mm	1.00/25.4			
Blade guard	One piece steel, Sta-Level TM Design, 24" (609 mm) Maximum capacity			
Weight, lb/kg	333/149	333/149	333/149	368/165
Size (LxWxH), inch/mm	47.5x24.06x58.82/107x611x1494	47.5x24.06x58.82/107x611x1494	47.5x24.06x58.82/107x611x1494	47.5x24.06x58.82/107x611x1494

<b>Water cooling</b>	
Water pump Qmax, g/h / l/h	300/1140
Water pan capacity, gal/l	13.1/49.6

---

# Table des matières

---

Introduction.....	24	Entretien.....	42
Sécurité.....	29	Dépannage.....	44
Montage.....	33	Transport, entreposage et mise au rebut.....	44
Fonctionnement.....	35	Données techniques.....	45

---

## Introduction

---

### Responsabilité du propriétaire



**AVERTISSEMENT** : La coupe, en particulier la coupe à sec, produit de la poussière qui provient du matériau coupé, qui contient souvent de la silice. La silice est un composant de base du sable, du quartz, de la brique d'argile, du granit et de nombreux autres pierres et minéraux. L'exposition à une quantité excessive de ces poussières peut entraîner :

une maladie respiratoire (réduisant la capacité à respirer), notamment la bronchite chronique, la silicose et la fibrose pulmonaire causée par l'exposition à la silice. Ces maladies peuvent être fatales;

Des irritations et éruptions cutanées.

Le cancer, selon le NTP (National Toxicology Program) et le CIRC (Centre International de recherche sur le cancer).

- Les consignes de sécurité relatives aux produits.
- L'éventail d'applications du produit et ses limites.
- La manière dont le produit doit être utilisé et entretenu.

La législation nationale peut réglementer l'utilisation de ce produit. Rechercher la législation en vigueur où le travail est exécuté avant d'utiliser le produit.

### Utilisation prévue

Ce produit est conçu et destiné à la découpe de carreaux, de pierres, de blocs et de briques. Toute autre utilisation est inappropriée.

Le produit est destiné à être utilisé dans les applications industrielles par des utilisateurs expérimentés.

### Description du produit

La machine MS 610 G, MS 610 est une scie transportable puissante utilisée pour les ouvrages de maçonnerie et de découpe de pierres et est configurée en outil fixe pendant tout le travail. Le modèle MS 610 correspond à la version électrique et le modèle MS 610 G correspond à la version à essence.

Les produits Husqvarna se distinguent par des valeurs telles que la haute performance, la fiabilité, la technologie innovante, les solutions techniques de pointe et les considérations environnementales. L'utilisation en toute sécurité de ce produit requiert que l'utilisateur lise attentivement ce manuel. Pour obtenir de plus amples renseignements, communiquer avec votre concessionnaire ou Husqvarna.

Certaines des caractéristiques uniques de votre produit sont décrites ci-dessous.

- Le produit a la capacité de couper des pièces de plus de 191 mm (7,5 po) d'épaisseur en un passage et de plus de 381 mm (15 po) en deux passages.
- Coupe en plongée flexible.
- Le large flasque de lame de 80 mm (3 po) de diamètre fournit une surface de support étendue et appropriée pour la lame.
- Embayage de la lame (en option)



**AVERTISSEMENT** : Prendre les précautions suivantes :

Éviter l'inhalation et le contact cutané avec les poussières, brouillards et fumées.

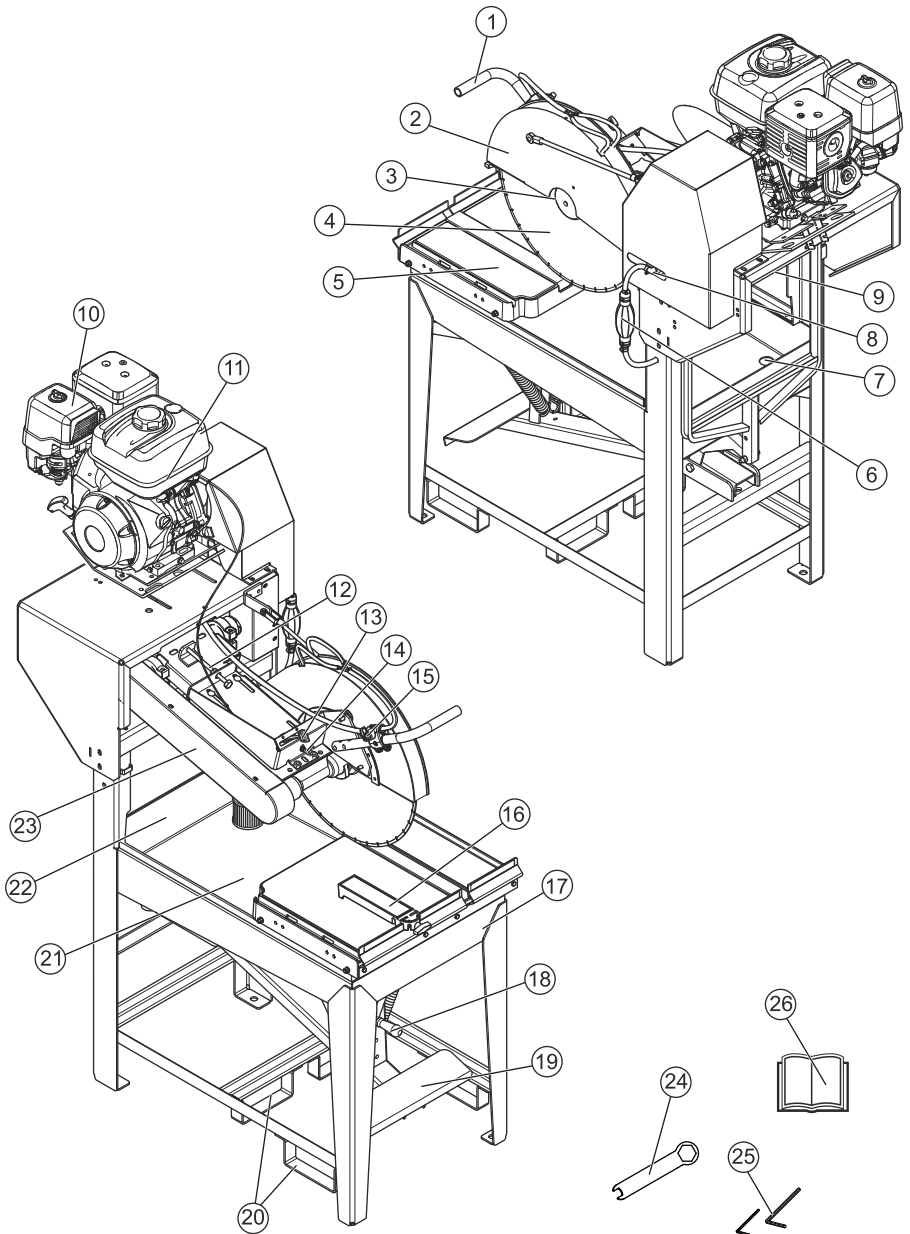
S'assurer que les personnes à proximité portent un dispositif de protection respiratoire approprié, tel que des masques antipoussière filtrant les particules microscopiques. (Voir OSHA 29 CFR Part 1926.1153)

Pour réduire les émissions de poussières, effectuer une coupe humide lorsque cela est possible. Si une coupe à sec est nécessaire, utiliser l'unité d'aspiration.

Il est de la responsabilité du propriétaire ou de l'employeur de s'assurer que l'utilisateur possède les connaissances nécessaires pour manipuler le produit en toute sécurité. Les superviseurs et les utilisateurs doivent avoir lu et compris le manuel d'utilisation. Ils doivent être conscients des éléments suivants :

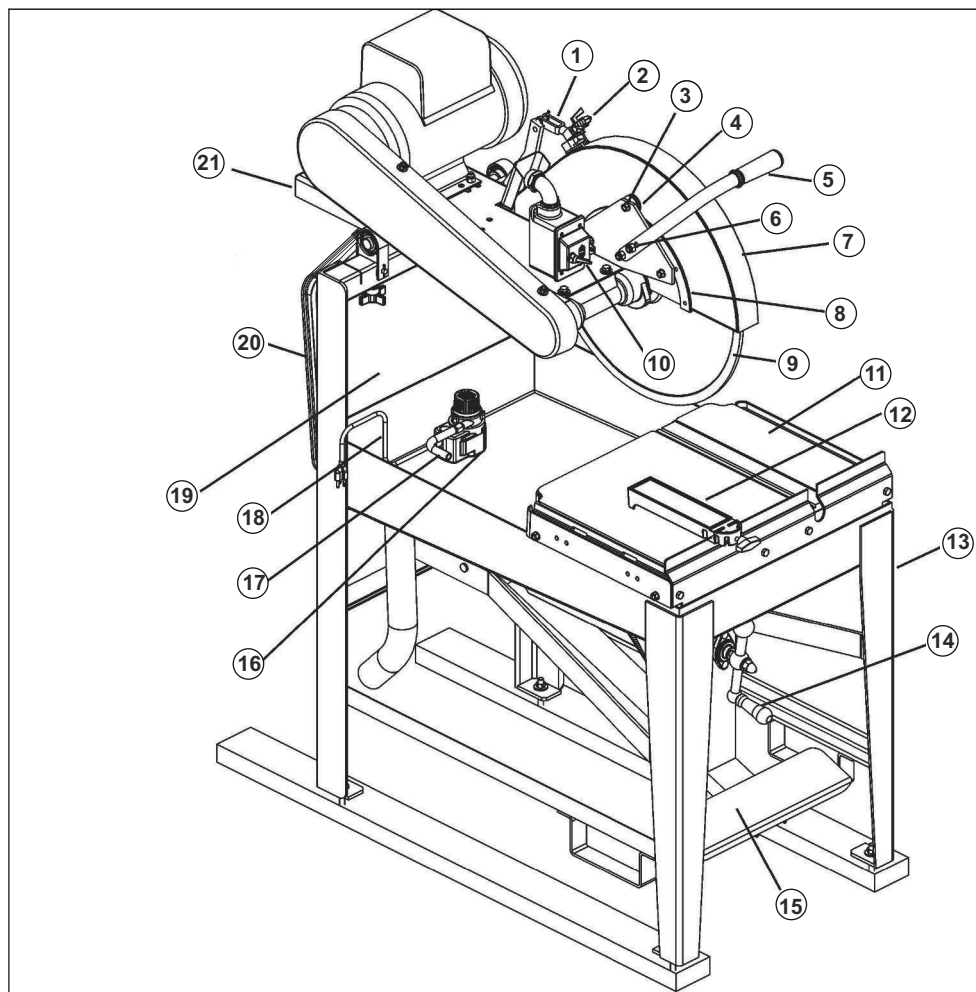


# Présentation du produit (MS 610 G)



1. Poignée, bras de coupe
2. Protège-lame
3. Flasque extérieur
4. Lame
5. Chariot de transport
6. Pompe d'amorçage
7. Bouchon de vidange
8. Plaque signalétique
9. Pompe à eau
10. Filtre à air du moteur
11. Moteur
12. Vis de tension de la courroie de l'axe de lame
13. Accélérateur
14. Positions marche/arrêt du commutateur du moteur
15. Bouton d'alimentation en eau, activation/désactivation de l'alimentation de la lame en eau
16. Guide de l'assemblage à onglet
17. Cadre
18. Poignée de réglage de hauteur
19. Pédale
20. Supports de levage de fourche
21. Bac à eau
22. Dispositif de protection contre les éclaboussures
23. Couvercle de courroie
24. Clé
25. Clé à six pans
26. Manuel de l'opérateur

## Présentation du produit (MS 610)



- |                                            |                                                   |
|--------------------------------------------|---------------------------------------------------|
| 1. Bras d'inclinaison                      | 13. Corps soudé pour bac                          |
| 2. Valve d'eau                             | 14. Poignée de commande de la hauteur de lame     |
| 3. Vis de réglage (protège-lame pivotant)  | 15. Pédale                                        |
| 4. Roue (protège-lame pivotant)            | 16. Pompe à eau                                   |
| 5. Poignée avec prise                      | 17. Tuyau d'eau (pompe à eau pour protège-lame)   |
| 6. Quincaillerie de fixation de la poignée | 18. Cordon électrique (pompe à eau)               |
| 7. Protège-lame                            | 19. Rideau de protection contre les éclaboussures |
| 8. Guide-chaîne                            | 20. Fourche de pédale                             |
| 9. Lame (diamant ou abrasive)              | 21. Plate-forme de tête                           |
| 10. Interrupteur (marche-arrêt)            |                                                   |
| 11. Chariot de transport                   |                                                   |
| 12. Guide                                  |                                                   |

## Symboles figurant sur le produit



**AVERTISSEMENT!** Cet appareil peut être dangereux s'il est utilisé incorrectement ou avec insouciance; il peut causer des blessures graves ou mortelles à l'opérateur ou à des personnes à proximité.



Lire attentivement le manuel d'utilisation et veiller à bien comprendre les instructions avant d'utiliser le produit.



Toujours porter :

- Protecteurs d'oreilles
- Des lunettes ou une visière de protection
- un masque respiratoire



**AVERTISSEMENT!** Garder les mains et les pieds à l'écart de la lame



**AVERTISSEMENT!** Les protections doivent toujours être montées sur le produit.



**AVERTISSEMENT!** La poussière produite lors de la coupe peut causer des lésions si elle est inhalée. Utiliser un masque filtrant approprié. Éviter d'inhaler les gaz d'échappement. Toujours assurer une bonne ventilation.



**AVERTISSEMENT!** Les étincelles produites par la lame de coupe peuvent provoquer un incendie en cas de contact avec des matériaux combustibles tels que l'essence, le bois, les vêtements, l'herbe sèche, etc.



**AVERTISSEMENT!** S'assurer que les lames ne comportent ni fissures ni dommages de toute autre façon.



**AVERTISSEMENT!** Ne pas utiliser des lames de scie circulaires.



Fonction de verrouillage.



Surface chaude.



Fonction du papillon des gaz, réglage de la vitesse

**Remarque :** Les autres symboles et autocollants apposés sur le produit se rapportent aux exigences en matière de certification pour certains marchés.

## ⚠ WARNING

The engine exhaust from this product contains chemicals known to the State of California to cause cancer, birth defects or other reproductive harm.

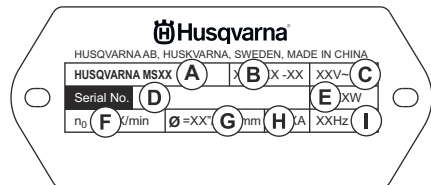
## ⚠ ATTENTION!

Les émissions du moteur de cet outil contiennent des produits chimiques qui, d'après l'État de Californie, peuvent causer le cancer, des malformations congénitales ou autre danger pour la reproduction.

## ⚠ ATTENTION!

Los gases de escape del motor de este producto contienen sustancias químicas conocidas en el Estado de California como causantes de cáncer, defectos congénitos y otros daños reproductivos.

## Plaque signalétique



A : marque, type/modèle

B : numéro du produit

C : tension

D : n° de série avec date de fabrication (YYYY, WW, XXXXX) : Année, semaine, n° de séquence

E : puissance nominale du moteur, kW

F : vitesse nominale de la broche, tr/min

G : diamètre maximal de la roue de découpe

H : courant nominal, ampère (selon l'équipement)

I : fréquence d'entrée

## Responsabilité concernant le produit

Il est de la responsabilité du propriétaire ou de l'employeur de s'assurer que l'utilisateur possède les connaissances nécessaires pour manipuler le produit en toute sécurité. Les superviseurs et les utilisateurs doivent lire et comprendre le manuel d'utilisation et tenir compte des éléments suivants :

- les consignes de sécurité relatives au produit.

- l'éventail d'applications du produit et ses limites.
- comment utiliser le produit et l'entretenir.

La législation nationale peut limiter l'utilisation de ce produit. Rechercher la législation en vigueur où le travail est exécuté avant d'utiliser le produit.

Les réglementations locales peuvent limiter l'utilisation de ce produit. Rechercher les réglementations en vigueur où le travail est exécuté avant d'utiliser le produit.

---

## Sécurité

---

### Définitions relatives à la sécurité

Les avertissements, recommandations et remarques soulignent des points du manuel d'utilisation qui revêtent une importance particulière.



**AVERTISSEMENT** : Indique la présence d'un risque de blessure ou de décès de l'utilisateur ou de personnes à proximité si les instructions du manuel ne sont pas suivies.



**MISE EN GARDE** : Indique la présence d'un risque de dommages au produit ou à l'outil, à d'autres appareils ou à la zone adjacente si les instructions du manuel ne sont pas suivies.

**Remarque** : Utilisé pour donner des renseignements plus détaillés qui sont nécessaires dans une situation donnée.

### Consignes générales de sécurité

Il n'est pas possible de couvrir toutes les situations imaginables auxquelles vous pourriez faire face. Toujours faire preuve d'attention et de bon sens. En cas d'appréhension, arrêter la machine et demander l'avis d'un expert. Communiquer avec le distributeur, l'agent de maintenance ou un utilisateur expérimenté. Ne pas tenter d'effectuer des tâches si vous avez des doutes!



**AVERTISSEMENT** : Ne jamais utiliser un produit dont l'équipement de sécurité est défectueux! Si une inspection du produit détecte une panne, communiquer avec un agent d'entretien pour réparation. Le moteur doit être coupé et le commutateur d'arrêt doit être en position STOP (arrêt).



**AVERTISSEMENT** : Lire attentivement le manuel d'utilisation et veiller à bien comprendre les instructions avant d'utiliser le produit. Il est recommandé que les utilisateurs qui se servent du produit pour la

première fois obtiennent également des consignes pratiques avant de l'utiliser.



**AVERTISSEMENT** : Garder en tête que c'est vous, l'opérateur, qui êtes responsable de protéger les personnes et leurs biens de tout accident ou danger.



**AVERTISSEMENT** : Le produit doit être propre. Les signes et les autocollants doivent être entièrement lisibles.



**AVERTISSEMENT** : Cet appareil peut être dangereux s'il est utilisé incorrectement ou avec insouciance; il peut causer des blessures graves ou mortelles à l'opérateur ou à des personnes à proximité.



**AVERTISSEMENT** : Ne jamais laisser des enfants ni des personnes n'ayant pas été formées à l'utilisation du produit l'utiliser ou l'entretenir.



**AVERTISSEMENT** : Le produit ne sera pas utilisé par des enfants ou des personnes aux capacités physiques, sensorielles ou mentales limitées ou manquant d'expérience et de connaissances.



**AVERTISSEMENT** : Ne laissez jamais des gens utiliser le produit sans d'abord s'assurer qu'ils ont lu et compris le contenu du manuel de l'opérateur.



**AVERTISSEMENT** : Ne jamais utiliser le produit sous l'effet de la fatigue, sous l'influence de l'alcool, de drogues, de médicaments ou de toute substance qui pourrait affecter la vision, l'attention, la coordination des gestes ou le jugement.



**AVERTISSEMENT** : Les modifications et/ou les accessoires non autorisés peuvent entraîner des blessures graves ou la mort de l'utilisateur ou d'autres personnes. La conception du produit ne peut en aucun cas être modifiée sans l'autorisation du fabricant.



**AVERTISSEMENT** : Ne pas modifier ce produit ou l'utiliser s'il semble avoir été modifié par d'autres.



**AVERTISSEMENT** : Ne jamais utiliser un produit défectueux. Effectuer les vérifications de sécurité, de maintenance et d'entretien conformément aux instructions fournies dans ce manuel. Certaines mesures de maintenance et d'entretien doivent être effectuées par des spécialistes formés et qualifiés. Pour plus d'instructions, reportez-vous à *Entretien à la page 42*.



**AVERTISSEMENT** : Toujours utiliser des accessoires d'origine.



**AVERTISSEMENT** : Ce produit produit un champ électromagnétique pendant le fonctionnement. Ce champ magnétique peut, dans certains cas, nuire aux implants médicaux actifs ou passifs. Pour réduire le risque de blessures graves ou mortelles, nous recommandons aux personnes ayant des implants médicaux de consulter leur médecin et le fabricant de l'implant médical avant d'utiliser le produit.

personnes à proximité ne se trouvent pas à l'intérieur de la zone de travail.

- Maintenir l'aire de travail propre et bien éclairée. Les endroits sombres ou encombrés augmentent le risque d'accident.
- La présence de personnes ou d'animaux peut distraire et faire perdre le contrôle du produit. Pour cette raison, toujours rester concentré sur la tâche.
- Ne pas utiliser le produit par mauvais temps, y compris dans un brouillard épais, sous une pluie diluvienne, dans des endroits fortement venteux et en cas de froid intense, etc.
- Ne jamais commencer à utiliser le produit avant que la zone de travail soit dégagée et avant d'être en parfait équilibre.

### Sécurité personnelle

- Ne jamais utiliser le produit sous l'effet de la fatigue, sous l'influence de l'alcool, de drogues, de médicaments ou de toute substance qui pourrait affecter la vision, l'attention, la coordination des gestes ou le jugement.
- S'assurer que des outils ou d'autres objets ne sont pas placés sur le produit.
- Ne jamais permettre à quiconque d'utiliser le produit sans avoir reçu une formation adéquate.
- Toujours couper le moteur du produit pendant des interruptions prolongées de travail.
- Ne jamais travailler seul, toujours s'assurer de la présence d'une autre personne à proximité.
- Il faut apprendre à utiliser le produit et ses commandes en toute sécurité et apprendre comment l'arrêter rapidement. Apprendre également à reconnaître les autocollants de sécurité.
- Garder les poignées sèches, propres et exemptes d'huile et de graisse.
- Ne pas trop se pencher vers l'avant. Toujours se tenir bien campé et en équilibre.
- Ne jamais se tenir sur le produit.
- Se tenir en position verticale. Éloigner votre visage de la lame de coupe. Placer les deux mains sur la pièce à travailler, le plus loin possible de la lame de coupe. Si la fonction de plongée est utilisée, placer une main sur la poignée de coupe.

## Consignes de sécurité pour l'assemblage

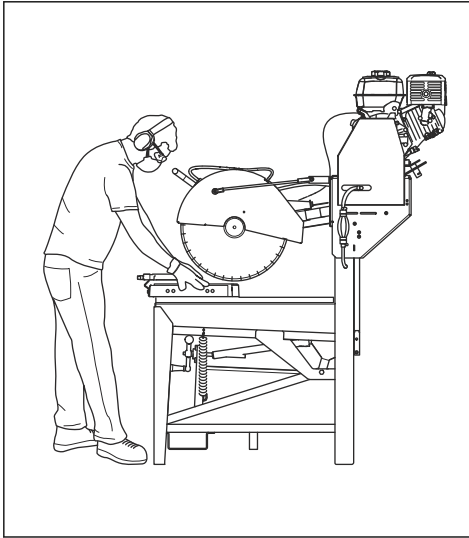
- S'assurer que le commutateur du moteur est en position « OFF » avant le montage.
- Vérifier que le produit est assemblé correctement et n'est pas endommagé. Ne pas utiliser l'outil s'il est endommagé.
- Ne pas utiliser l'outil si des modifications contraires à ses caractéristiques initiales y ont été apportées. Ne pas modifier une partie de l'outil sans l'approbation du fabricant. Utiliser seulement des pièces approuvées par le fabricant.

## Consignes de sécurité pour l'utilisation

### Sécurité de la zone de travail



**AVERTISSEMENT** : Tenir à l'écart toute personne non autorisée. Il vous incombe de vous assurer que les animaux et les



## Équipement de protection personnelle



**AVERTISSEMENT** : Les produits tels que les couteaux, les meules ou les perceuses qui sablent ou forment une matière, peuvent entraîner la formation de poussière et de vapeurs qui peuvent contenir des produits chimiques dangereux. Vérifier le type de matériau avec lequel vous devez travailler et utiliser un masque filtrant approprié.



**AVERTISSEMENT** : Toujours utiliser un dispositif de protection homologué pour les oreilles. L'exposition prolongée au bruit peut causer des lésions auditives permanentes. Être attentif aux appels ou cris d'avertissement lors de l'utilisation des protecteurs d'oreilles. Toujours enlever les protecteurs d'oreilles dès que le moteur s'arrête.



**AVERTISSEMENT** : Il y a toujours un risque de blessures par écrasement lors de l'utilisation de produits contenant des pièces en mouvement. Porter des gants de protection afin d'éviter des blessures.



**AVERTISSEMENT** : Des étincelles peuvent jaillir et causer un incendie lors de l'utilisation du produit. Toujours garder l'équipement anti-incendie à portée de main.

Utiliser un équipement de protection individuelle homologué lors de l'utilisation du produit. Cet équipement n'élimine pas les risques de blessures, mais

il peut en réduire la gravité en cas d'accident. Demander conseil au distributeur pour le choix d'un équipement adéquat.

Toujours porter :

- un casque de protection homologué
- des protecteurs d'oreilles
- des lunettes de protection approuvées En cas d'utilisation de visière, porter également des lunettes de protection approuvées. Les lunettes de protection homologuées doivent être conformes à la norme ANSI Z87.1 aux États-Unis ou à la norme EN 166 dans les pays de l'Union européenne. Les visières doivent être conformes à la norme EN 1731.
- Protection respiratoire approuvée.
- Gants de protection.
- des gants résistants à prise sûre
- des vêtements ajustés, résistants et confortables permettant une liberté de mouvement totale La découpe crée des étincelles qui peuvent enflammer les vêtements. Husqvarna recommande de porter du coton ignifugé ou du denim épais. Ne pas porter des vêtements composés de matières comme le nylon, le polyester ou la rayonne. Si elles s'enflamment, de telles matières peuvent fondre et adhérer à la peau. Ne pas porter une culotte courte.
- des bottes à coquille en acier et semelle antidérapante

Une trousse de premiers secours et un équipement anti-incendie doivent toujours être disponibles

## Dispositifs de sécurité sur l'outil



**AVERTISSEMENT** : Ne jamais utiliser un produit dont l'équipement de sécurité est défectueux! Si une inspection du produit détecte une panne, communiquer avec un agent d'entretien pour réparation. Couper le moteur du produit.

Cette section décrit l'équipement de sécurité du produit, son but, et la façon d'en effectuer les inspections et l'entretien afin de s'assurer qu'il fonctionne correctement.

## Protège-lame



**AVERTISSEMENT** : Ne jamais utiliser le produit sans dispositif de protection ou avec un dispositif de protection défectueux. Toujours s'assurer que le dispositif de protection est correctement installé avant de démarrer le produit. Il est interdit d'exposer la lame à plus de 180° degrés sans protection.

Le protège-lame est conçu pour éviter que des éclats de lame ou des fragments de découpe soient projetés vers l'utilisateur.

## Sécurité électrique



**AVERTISSEMENT** : Les appareils électriques comportent toujours un danger d'électrocution. Éviter les conditions météorologiques défavorables et tout contact corporel avec un paratonnerre ou des objets métalliques. Toujours suivre les instructions figurant dans le manuel de l'opérateur afin d'éviter les dommages.



**AVERTISSEMENT** : Ne jamais brancher la machine si la fiche ou le câble est endommagé.



**AVERTISSEMENT** : Lors du nettoyage de la machine, veiller à ne pas renverser d'eau dans le système électrique et dans le moteur. L'eau peut causer des dommages à la machine ou provoquer un court-circuit du moteur.

- Vérifier que la tension de secteur correspond à la valeur indiquée sur la plaque signalétique de la machine.
- Les mesures d'inspection et de maintenance doivent être effectuées alors que le moteur est à l'arrêt et que la prise électrique est débranchée.
- Toujours éteindre la machine avant de débrancher la fiche d'alimentation.
- Ne pas tirer sur la machine et cordon d'alimentation et ne jamais débrancher la fiche d'alimentation en tirant sur le cordon d'alimentation. Tenir la fiche d'alimentation pour déconnecter le cordon d'alimentation.
- Ne pas utiliser la machine si les cordons ou la prise d'alimentation sont endommagés. Demander à technicien qualifié de les réparer
- Toujours brancher la machine munie d'un disjoncteur différentiel de fuite à la terre qui s'enclenche dans le cas d'une fuite de terre de 30 mA.
- S'assurer que l'interrupteur est à la position OFF (arrêt) avant de brancher la machine sur la prise de courant afin d'éviter un démarrage involontaire.

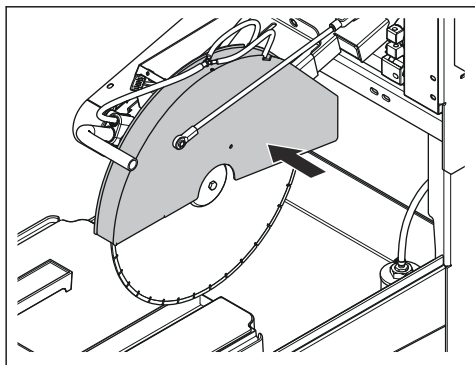
## Instructions de mise à la terre



**AVERTISSEMENT** : Une mauvaise connexion peut entraîner un risque d'électrocution. Demander à un électricien qualifié pour s'assurer que l'appareil est correctement mis à terre.



**AVERTISSEMENT** : Ne pas modifier la fiche électrique. Si la fiche n'est pas compatible avec la prise de courant, demander à un électricien qualifié d'installer une prise de courant qui convient. Veiller à ce que la



### Commutateur marche/arrêt du moteur

Pour vérifier le commutateur d'arrêt du moteur.

- Placer le commutateur de démarrage du moteur à la position OFF (arrêt).
- S'assurer que le moteur est coupé et que la lame est immobile.

Si l'interrupteur de démarrage du moteur est défectueux. Il doit être remplacé dans un atelier de réparation autorisé.

### Pompe à eau



**AVERTISSEMENT** : Ne pas la faire tourner à sec. La pompe ne peut être utilisée qu'avec les produits décrits dans ce manuel et doit être utilisée conformément aux instructions du manuel.

## Consignes de sécurité pour la maintenance



**AVERTISSEMENT** : L'utilisateur doit seulement effectuer les travaux de maintenance et d'entretien décrits dans ce manuel. Les travaux plus importants doivent être effectués par un atelier d'entretien agréé. Porter un équipement de protection individuelle, se reporter à la section *Équipement de protection personnelle* à la page 31



**AVERTISSEMENT** : S'assurer que le commutateur du moteur est en position OFF (arrêt) avant d'effectuer toute vérification ou tout entretien.



réglementation et les lois en vigueur soient respectées.



**AVERTISSEMENT** : Si vous ne comprenez pas parfaitement les instructions de mise à la terre, contacter un électricien qualifié.

- La machine est reliée à un cordon à trois fiches qui doit toujours être branché sur une prise d'alimentation mise à la terre afin d'éviter tout choc électrique en cas de dysfonctionnement.

### Rallonges et cordons d'alimentation

- La catégorie indiquée sur la rallonge doit être identique ou supérieure à celle indiquée sur la plaque signalétique de la machine.
- Utiliser des rallonges mises à la terre.

- Pour le travail à l'extérieur, utiliser une rallonge adaptée à l'usage extérieur.
- Maintenir la connexion au câble de rallonge au sec et éloignée du sol.
- Tenir les câbles à l'écart de la chaleur, de l'huile, des bords tranchants et des pièces mobiles. Les câbles endommagés ou emmêlés augmentent le risque d'électrocution.
- S'assurer que le cordon et la rallonge ne sont pas endommagés. Ne pas utiliser la machine si les cordons ou la prise d'alimentation sont endommagés. Demander à technicien qualifié de les réparer.
- Ne pas utiliser la rallonge pendant qu'elle est enroulée. Cela peut mener à une surchauffe.
- Utiliser uniquement des rallonges certifiées et de bonne longueur.

## Montage

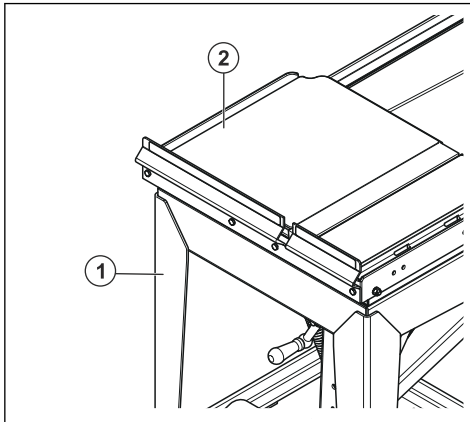
### Introduction

Placer la scie sur une surface plane, horizontale et stable pour empêcher l'équipement de basculer, de glisser ou de se déplacer sur la surface.

### Pour assembler le produit

Le produit se compose de deux pièces, le châssis (1) et le chariot de transport (2).

1. Positionner le chariot de transport sur le châssis.



2. S'assurer que les roues du chariot de transport roulent le long des côtés du châssis.

### Montage de la lame

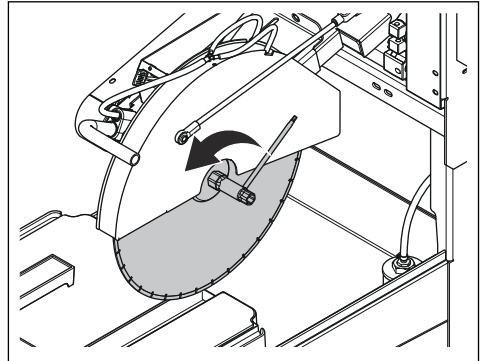


**AVERTISSEMENT** : Le moteur doit être coupé et le commutateur d'arrêt doit être en position STOP (arrêt).



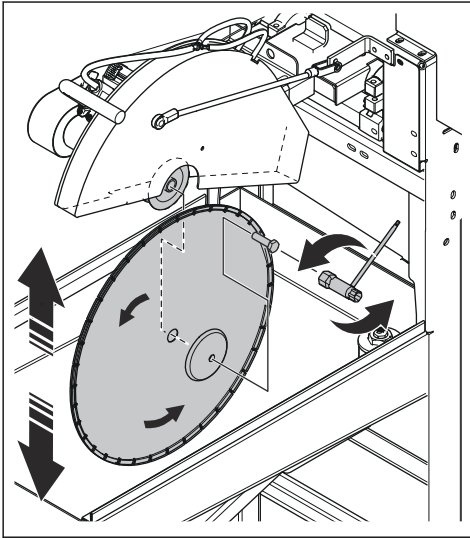
**AVERTISSEMENT** : Toujours porter des gants de protection robustes lors de la manipulation de la lame. La lame est extrêmement tranchante et peut facilement causer une coupure.

1. Retirer l'écrou de la lame.



2. Retirer le flasque de la lame.
3. S'assurer que la lame, le flasque de lame et l'arbre de lame ne sont pas endommagés. Nettoyer les surfaces de contact de la lame et le flasque de lame.

- Fixer la lame, le flasque de lame et l'écrou.  
S'assurer que la lame tourne dans le sens indiqué par la flèche sur la lame.



### Pour régler la butée de profondeur



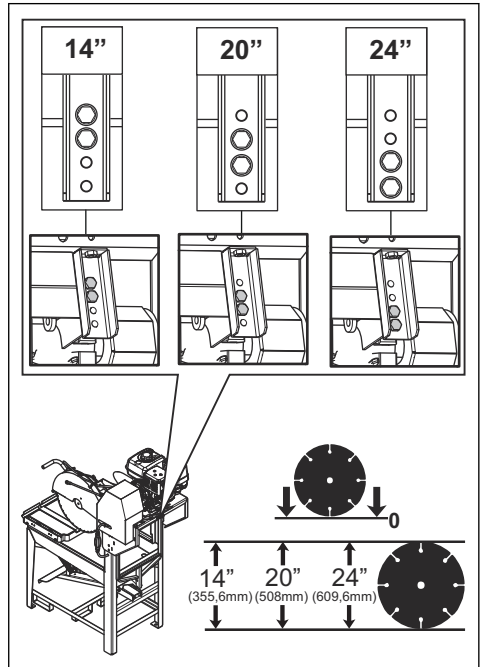
**MISE EN GARDE :** Régler la butée de profondeur lorsque la lame est immobile. Vérifier régulièrement la profondeur de la butée afin d'éviter tout dommage à la fente de coupe ou au système d'approvisionnement en eau.

**Remarque :** Régler la butée de profondeur lors du passage à d'autres tailles de lame.

Ajuster la butée de manière à ce que la lame puisse atteindre sa profondeur maximale sans toutefois endommager le chariot.

- Enlever la lame montée.

- Déplacer la butée de profondeur à la position désirée, comme indiqué sur l'illustration.

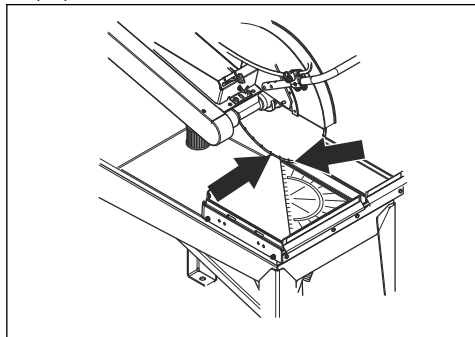


- Serrer les écrous de verrouillage pour le réglage de profondeur.
- Monter la lame de taille appropriée par rapport au réglage de la butée de profondeur.
- Vérifier la position de la lame en déplaçant le chariot de transport à fond vers ses positions avant et arrière. La lame ne doit jamais heurter le chariot.

### Pour centrer la lame dans la fente de coupe

- Ajuster la lame pour qu'elle puisse tourner librement à la profondeur maximale par rapport à la fente de coupe.

2. Utiliser une équerre et vérifier si la lame est perpendiculaire.



3. Examiner les bords avant et arrière de la lame jusqu'à l'enclume du chariot de transport.
4. Vérifier si la lame est centrée dans la fente de coupe.

---

## Fonctionnement

---

### Introduction



**AVERTISSEMENT :** Ne jamais utiliser une lame de diamant pour couper du plastique. La découpe de métal génère des étincelles pouvant engendrer un incendie. Ne pas utiliser le produit près des substances inflammables ou des gaz.



**MISE EN GARDE :** N'essayez jamais d'écraser des objets en utilisant le plat de la lame; cela l'endommagerait ou la briserait presque certainement et pourrait causer des dommages importants. Utilisez seulement la section de coupe.

L'expérience est très importante lors de l'utilisation du produit. Une personne qualifiée est fortement recommandée.

- Ne pas surcharger le produit. La surcharge peut endommager le produit.
- En cas de doute sur la lame à utiliser, communiquer avec votre concessionnaire local.
- Ne jamais laisser le produit sans surveillance alors que le moteur est en marche.
- Maintenir les outils tranchants et propres afin de travailler de manière plus sûre.
- Vérifier que la lame est correctement montée et ne présente aucun signe de dommage. Pour obtenir des instructions, se reporter à la section *Montage à la page 33*.
- S'assurer que la lame adéquate est utilisée pour l'application en question.
- Ne jamais couper des matériaux qui contiennent de l'amiante!

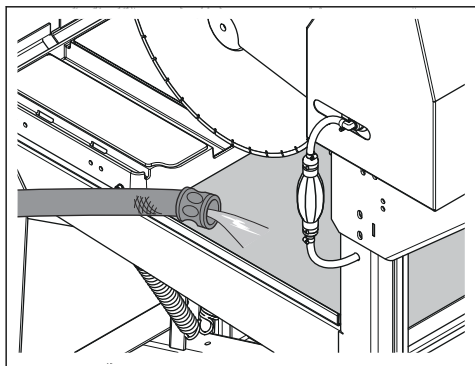
### Avant de démarrer

- Lire attentivement le manuel d'utilisation et veiller à bien comprendre les instructions avant d'utiliser le produit.
- Porter un équipement de protection individuelle, se reporter à la section *Équipement de protection personnelle à la page 31* pour obtenir des instructions.
- S'assurer que le bouchon du réservoir de carburant est correctement fixé et qu'il n'y a pas de fuite de carburant.
- Veiller à ce qu'aucune personne non autorisée ne se trouve dans la zone de travail afin de réduire les risques de blessure.
- Éviter tout démarrage accidentel. S'assurer que le commutateur est en position OFF (arrêt).
- La lame de coupe tourne dès la mise en marche du moteur. S'assurer qu'elle puisse tourner librement.
- Vérifier que l'appareil est correctement monté et ne présente aucun signe de dommage. Pour obtenir des instructions, se reporter à la section *Montage à la page 33*.
- Effectuer l'entretien quotidien. Pour obtenir des instructions, se reporter à la section *Entretien quotidien à la page 43*.
- Vérifier que la lame n'est pas en contact avec le chariot de transport pour qu'il ne puisse pas endommager la fente de découpe.

### Remplissage du liquide de refroidissement

**Remarque :** S'assurer que le niveau de l'eau se trouve toujours au-dessus des parois inférieures, à l'emplacement de la pompe.

---

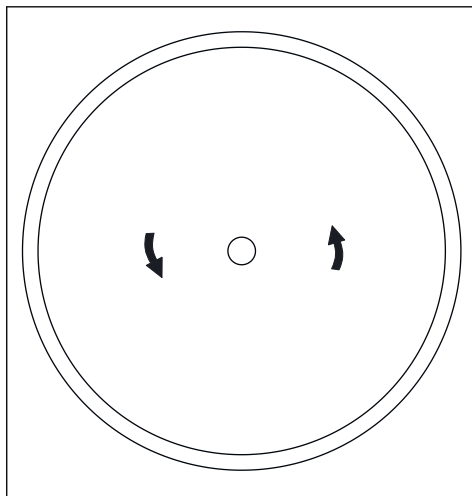


## Lames



**AVERTISSEMENT** : Les lames peuvent se briser et causer des blessures graves à l'utilisateur. Les lames de diamant deviennent très chaudes lorsqu'elles sont utilisées. Une lame surchauffée est le résultat d'une mauvaise utilisation et peut entraîner une déformation de la lame, ce qui causerait des dommages et des blessures.

- Ne pas utiliser une lame surchauffée.
- La lame doit être adaptée au matériau à découper.
- Faire avancer la pièce à travailler seulement dans le sens contraire de rotation de la lame!
- S'assurer que la bonne bague est utilisée pour que la lame de coupe puisse être montée sur le produit. Voir *Montage de la lame à la page 33*.
- Les lames doivent être marquées d'une vitesse supérieure ou égale à celle indiquée sur la plaque signalétique du produit. Ne jamais utiliser une lame dont la vitesse de rotation est inférieure à celle du produit.
- En cas d'utilisation d'une lame de diamant, s'assurer qu'elle tourne dans le sens indiqué par la flèche sur la lame.



- Les lames diamant se composent d'un cœur en acier fourni avec des segments ou d'un anneau continu contenant des diamants industriels.

## Lames pour divers matériaux



**AVERTISSEMENT** : N'utiliser une lame que sur des matériaux adaptés.

- Ne jamais découper des matériaux plastiques au moyen d'une lame de diamant! Le plastique fond à cause de la chaleur dégagée lors de la coupe et colle à la lame.
- Effectuer le choix de lame en fonction du matériau à couper. Demander conseil au concessionnaire pour le choix du produit qui convient.
- Ne pas utiliser des lames abrasives.

## Vibrations de la lame

- La lame peut ne plus être ronde et vibrer si une pression d'avance trop élevée est appliquée.
- Une pression d'avance plus faible peut arrêter les vibrations. Sinon, remplacez la lame.

## Lames de diamant



**AVERTISSEMENT** : Ne jamais utiliser une lame de diamant pour couper du plastique. La chaleur produite lors de la découpe peut faire fondre le plastique qui peut coller à la lame de coupe et provoquer un rebond.



**AVERTISSEMENT :** Les lames de diamant deviennent très chaudes lorsqu'elles sont utilisées. Une lame surchauffée est le résultat d'une mauvaise utilisation et peut entraîner une déformation de la lame, ce qui causerait des dommages et des blessures.

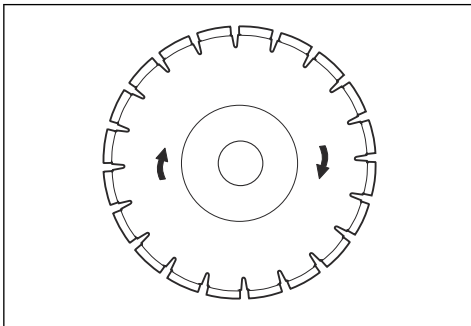


**AVERTISSEMENT :** La découpe de métal génère des étincelles pouvant engendrer un incendie. Ne pas utiliser le produit près des substances inflammables ou des gaz.

**Remarque :** Les lames de diamant sont offertes dans plusieurs catégories de résistance.

**Remarque :** Affûter la lame en coupant un matériau tendre tel que du grès ou du bloc.

- Toujours utiliser une lame de diamant affûtée.
- Les lames de diamant peuvent s'émousser en cas de pression d'avance inadéquate ou de découpe de certains matériaux tel que du béton excessivement armé. Travailler avec une lame de diamant émoussée provoque une surchauffe, ce qui peut entraîner la chute des segments en diamant.
- Les lames diamant se composent d'un cœur en acier fourni avec des segments qui contiennent des diamants industriels.
- Les lames de diamant sont recommandées pour tous les types de maçonnerie, le béton armé et d'autres matériaux composites.
- Les lames de diamant permettent d'obtenir un coût inférieur par opération de découpe, nécessitent moins de changement de lame et offrent une profondeur de découpe constante.
- Il convient d'utiliser des lames spéciales lors de la découpe de métal. Demander conseil au concessionnaire pour le choix du produit qui convient.
- En cas d'utilisation d'une lame de diamant, s'assurer qu'elle tourne dans le sens indiqué par la flèche sur la lame.



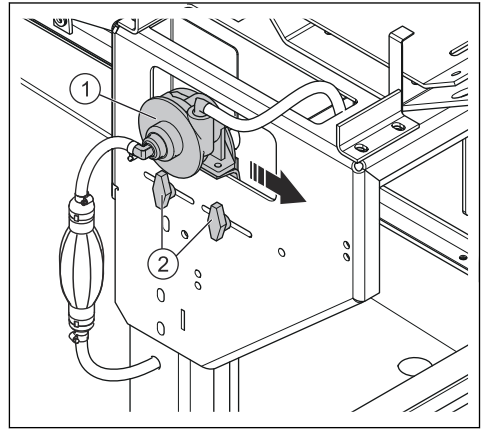
## Lames dentées



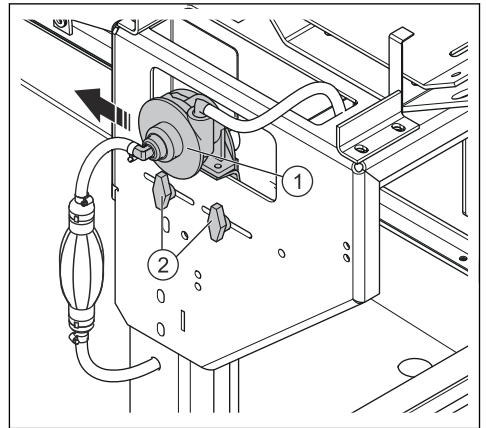
**AVERTISSEMENT :** Ne jamais utiliser des lames dentées telles que des lames de découpe de bois, des lames dentées circulaires, des lames à pointe au carbure, etc. Toute négligence peut entraîner des blessures graves ou même la mort.

## Engagement et désengagement de la pompe à eau (MS 610 G)

1. S'assurer que la pompe à eau (1) est engagée avant de procéder à la découpe du matériau.
2. Pousser les boutons de la pompe à eau (2) complètement vers la droite pour engager la pompe à eau.



3. Pour désengager la pompe à eau (1), pousser les boutons (2) complètement vers la gauche.



## Manipulation du carburant



**AVERTISSEMENT** : L'utilisation d'un moteur dans un endroit clos ou mal ventilé peut entraîner la mort par asphyxie ou l'intoxication au monoxyde de carbone. Le carburant et les vapeurs de carburant sont extrêmement inflammables et peuvent causer des blessures graves en cas d'inhalation ou de contact avec la peau. Pour cette raison, faire preuve de prudence lors de la manipulation du carburant et s'assurer que la ventilation est adéquate. Les gaz d'échappement du moteur sont chauds et peuvent contenir des étincelles qui peuvent causer un incendie. Ne jamais démarrer le produit à l'intérieur ou à proximité de matériaux combustibles! Ne pas fumer et ne pas placer d'objet chaud à proximité du carburant.



**AVERTISSEMENT** : Lors de l'entreposage et du transport du carburant, toujours utiliser des contenants prévus à cet effet.

**Remarque** : Le produit est équipé d'un moteur à quatre temps. S'assurer qu'il y a toujours suffisamment d'huile dans le moteur.

### Essence



**MISE EN GARDE** : Faire tourner le moteur avec une essence dont l'indice d'octane est inférieur à 87 peut endommager le moteur.

- Utiliser de l'essence sans plomb de bonne qualité.
- L'indice d'octane le plus bas recommandé est de 87 ((RON+MON)/2). En cas d'utilisation d'un carburant dont l'indice d'octane est inférieur à 87, des cognements risquent de se faire entendre. Cela entraîne une élévation de la température du moteur et une augmentation de la charge sur les roulements, ce qui peut causer de graves dommages.

### Huile moteur



**MISE EN GARDE** : Un niveau d'huile trop faible peut causer de graves dommages au moteur. Consulter les instructions fournies dans la section *Entretien à la page 42*.



**MISE EN GARDE** : Ne jamais utiliser d'huile destinée aux moteurs à deux temps.

- Vérifier le niveau d'huile avant de démarrer le produit.

## Ajout de carburant

Pour minimiser le risque d'incendie :

- Ne pas fumer.
- Ne pas placer d'objet chaud à proximité du carburant.
- Toujours éteindre le moteur et le laisser refroidir pendant quelques minutes avant de faire le plein.
- Lors du remplissage, ouvrir le bouchon lentement pour relâcher doucement la pression.
- Nettoyer la zone autour du bouchon.
- Serrer le bouchon du réservoir avec précaution après l'appoint. Si le bouchon n'est pas serré correctement, il risque de s'ouvrir à cause des vibrations et du carburant peut alors s'échapper du réservoir de carburant, entraînant un risque d'incendie.

Ne jamais démarrer le produit :

- En cas de déversement d'huile moteur ou de carburant sur le produit, nettoyer les déversements et laisser le carburant restant s'évaporer.
- Si de l'essence a coulé sur vous ou sur vos vêtements, changer de vêtements. Laver toute partie de votre corps qui est entrée en contact avec le carburant. Utiliser de l'eau et du savon.
- Si du carburant s'écoule du produit. Vérifier régulièrement l'étanchéité du bouchon du réservoir et des conduites de carburant.

## Mise sous tension de l'appareil (MS 610 G)



**AVERTISSEMENT** : Porter une attention particulière aux produits sans embrayage; la lame commence à tourner au démarrage.



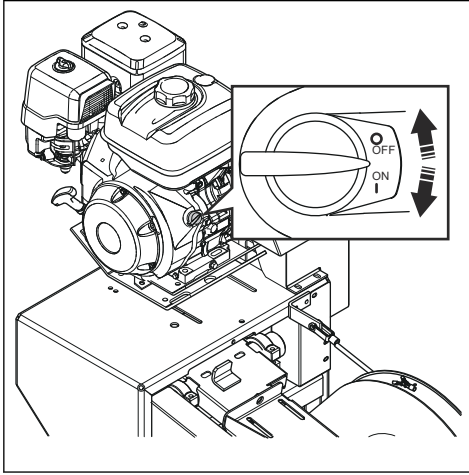
**MISE EN GARDE** : Ne pas déplacer la scie latéralement ou hors de la zone de travail lorsque la lame est installée et qu'elle tourne.



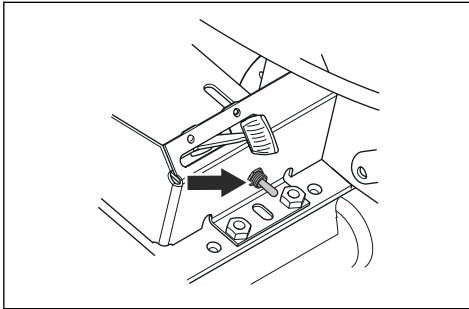
**MISE EN GARDE** : Ne pas tirer complètement la corde du lanceur et ne pas lâcher la poignée du lanceur lorsque la corde est complètement déployée. Ceci peut endommager le produit.

1. Activer la pompe à eau, se reporter à la section *Pour réduire la poussière et refroidir la lame à la page 42*. La pompe à eau démarre automatiquement lorsque le produit est mis en marche.

2. Déplacer le levier d'alimentation en carburant à la position **ON** (marche).

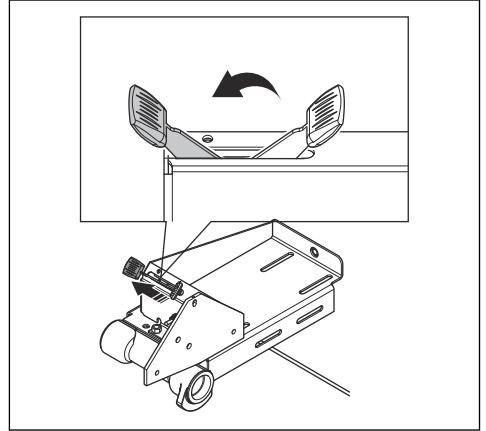


3. Déplacer le levier du démarreur à la position **CLOSED** (fermée) (moteur froid).
4. Déplacer le levier de la manette des gaz de la position **MIN** (minimum) vers la position **MAX** (maximum) jusqu'à à peu près 1/3 du parcours.
5. Placer le commutateur de démarrage du moteur à la position **ON** (marche).



6. Saisir la poignée du lanceur, tirer doucement sur le cordon à l'aide de la main gauche jusqu'à ce que vous sentiez une résistance (les cliquets d'entraînement grippent), puis tirer énergiquement et rapidement sur le cordon. **Ne jamais enrouler le cordon du lanceur autour de la main.**
7. Tirer plusieurs fois sur le cordon jusqu'à ce que le moteur démarre.

8. Laisser le moteur se réchauffer pendant quelques minutes avec la commande des gaz à la vitesse de rotation à vide (minimum).



## Mise sous tension de l'appareil (MS 610)



**AVERTISSEMENT :** TOUJOURS régler l'interrupteur à la position OFF (arrêt) avant de brancher la machine à la source de courant. Le moteur électrique se met à tourner si l'interrupteur est à la position ON (marche).

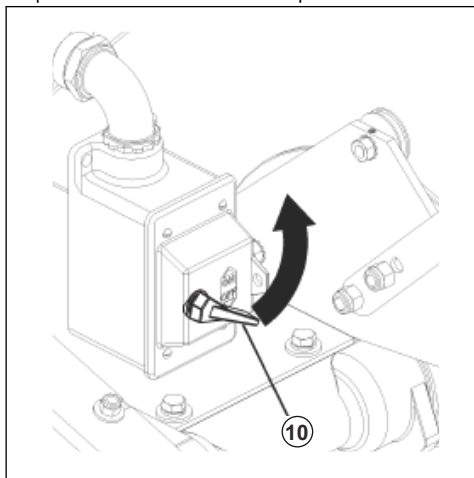


**AVERTISSEMENT :** Garder les mains à distance de la lame en rotation pendant le fonctionnement. Lire entièrement les avertissements avant d'utiliser cette machine.

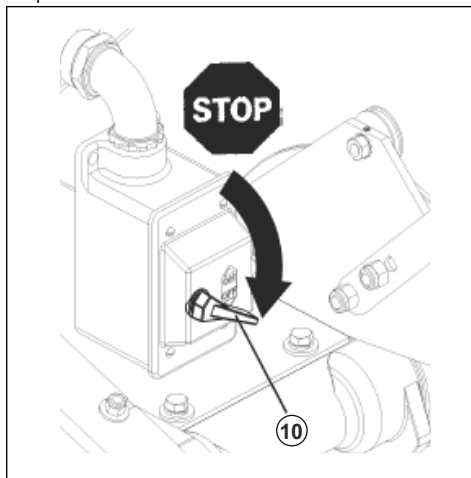


**MISE EN GARDE :** Ne pas déplacer la scie latéralement ou hors de la zone de travail lorsque la lame est installée et qu'elle tourne.

1. Mettre l'interrupteur (10) à la position ON (marche) pour démarrer le moteur électrique.



1. Mettre l'interrupteur (10) à la position OFF (arrêt) pour arrêter la machine.



2. Ouvrir complètement la valve d'eau et vérifier le débit d'eau avant la découpe.

### Arrêt de la machine (MS 610 G)

1. Tourner la commande des gaz à la position de grand ralenti.
2. Placer le commutateur de démarrage du moteur à la position **OFF** (arrêt).
3. S'assurer que le moteur est coupé.
4. S'assurer que la lame de coupe puisse tourner librement jusqu'à son arrêt complet.

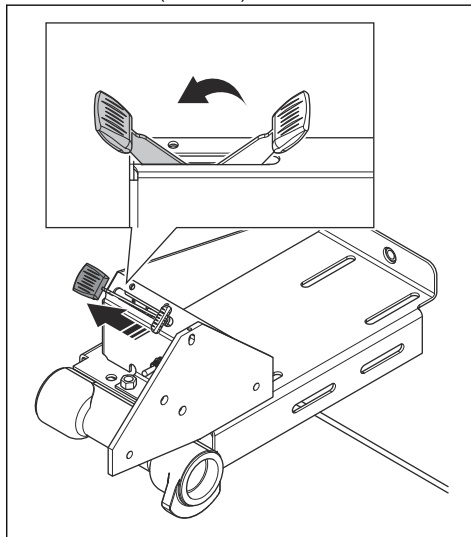
### Arrêt de la machine (MS 610)



**AVERTISSEMENT :** Arrêter la machine et attendre que la lame s'arrête avant de retirer le matériau de la machine.

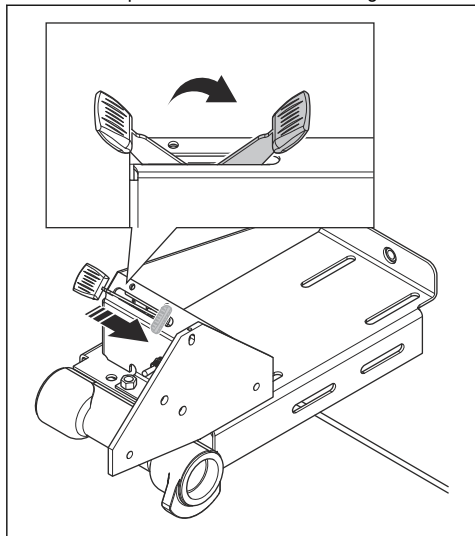
### Coupe au moyen de la manette des gaz (MS 610 G)

1. Laisser le moteur se réchauffer pendant quelques minutes avec la commande des gaz à la vitesse de rotation à vide (minimum).





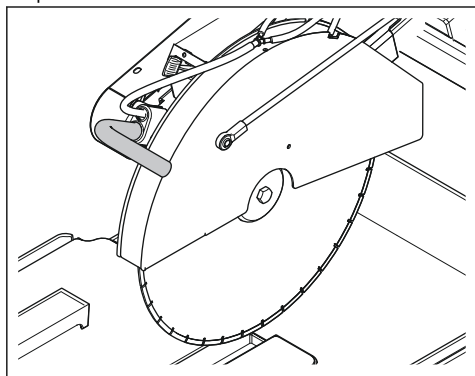
2. Ouvrir complètement la commande des gaz.



3. Démarrer le sciage, toute l'opération de sciage est effectuée à plein régime.

### Pour couper au moyen de la poignée du bras de coupe.

1. Tenir la poignée et abaisser la lame pour couper la pièce à travailler.

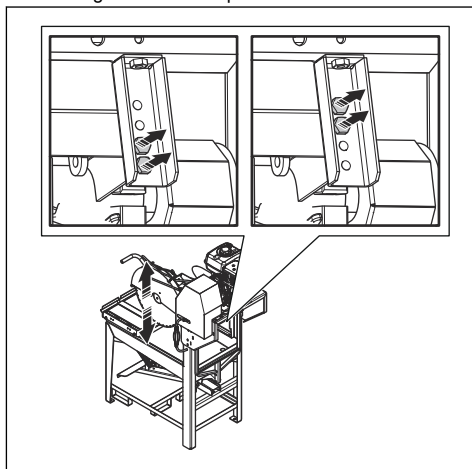


2. Relâcher la force exercée sur la poignée pour arrêter la coupe.

### Coupe en plongée (MS 610 G)

Le bras de coupe est à ressort et est réglable en hauteur.

1. Retirer les vis et déplacer la butée de profondeur en fonction de la taille de la lame. Serrer à nouveau les vis. Régler la butée de profondeur avec la vis d'arrêt.



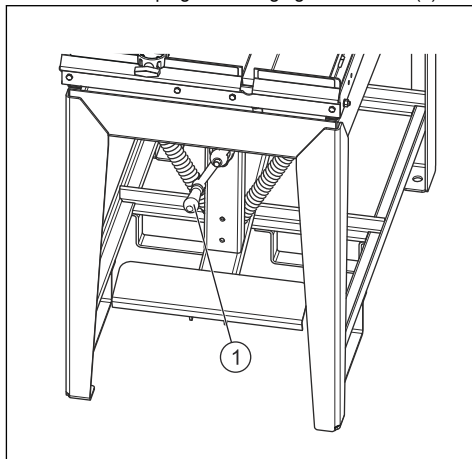
2. En utilisant la pédale et la poignée sur le bras de coupe, la lame de coupe peut être tirée vers le haut et vers le bas pour créer une coupe en plongée dans la pièce à travailler.

### Coupe en plongée (MS 610)

1. Utiliser la pédale et la poignée du bras de coupe pour abaisser la lame de coupe et effectuer une coupe en plongée dans la pièce à travailler.

### Pour couper au moyen d'une tête de coupe fixe

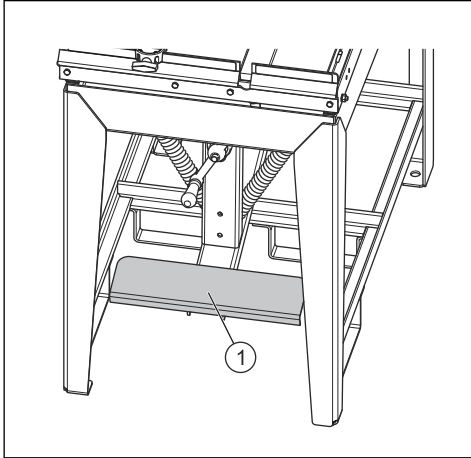
1. Positionner la tête de coupe à la hauteur souhaitée en tournant la poignée de réglage de hauteur (1).



2. Arrêter de tourner la poignée une fois la hauteur voulue atteinte.
3. Démarrer la découpe.

### Pour couper à l'aide de la pédale.

1. Positionner le chariot de transport à l'avant de la scie.
2. Placer la pièce à travailler sur le chariot de transport.
3. Enfoncer la pédale (1) pour abaisser la lame afin de commencer la découpe.



4. Relâcher la pédale pour retourner la lame à la position supérieure.

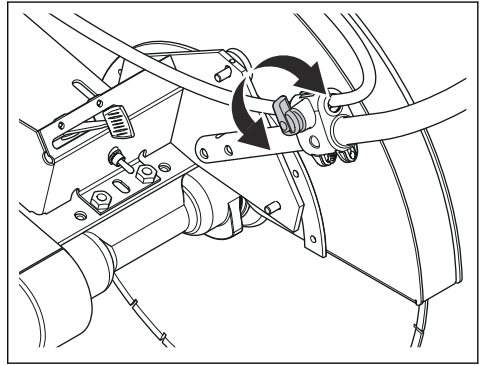
### Pour réduire la poussière et refroidir la lame

Le circuit d'eau permet de réduire la quantité de poussière et de refroidir la lame. L'eau de la pompe est acheminée à la lame.

**Remarque :** La pompe à eau dispose d'une soupape d'activation ou de désactivation pour contrôler et régler le débit d'eau.

Régler le débit d'eau de façon à collecter la poussière issue de la coupe. Le volume d'eau requis dépend du type de travail à accomplir.

- La soupape du réservoir d'eau ajuste le débit de l'eau vers le canal du chariot de transport.
- La valve du protège-lame assure la régulation du débit d'eau de la pompe à la lame.



### Pour gérer la poussière

Le produit est équipé d'un système d'aspersion d'eau à faible pression qui élimine complètement la poussière.

1. Utiliser des lames spécifiques aux coupes humides pour optimiser la gestion de la poussière.
2. Régler le débit d'eau à l'aide du robinet afin de lier la poussière de découpe.

Le volume d'eau requis dépend du type de travail à accomplir.

Un débranchement des flexibles d'eau de leur source d'alimentation indique que le produit est connecté à une pression d'eau trop élevée.

## Entretien

### Introduction



**AVERTISSEMENT :** Toutes les réparations doivent être confiées à des réparateurs agréés. L'utilisateur doit seulement effectuer les travaux de maintenance et d'entretien décrits dans ce manuel d'utilisation.



**AVERTISSEMENT :** Pour éviter tout démarrage accidentel, effectuer les étapes décrites dans la présente section avec le moteur éteint et le câble d'alimentation retiré

de la douille, sauf indication contraire. La durée de vie du produit peut être réduite et le risque d'accident peut augmenter si l'entretien de la machine n'est pas effectué correctement et si l'entretien ou les réparations ne sont pas effectués de façon professionnelle. Pour obtenir des renseignements supplémentaires, communiquer avec le concessionnaire le plus proche.

- Débrancher toujours le câble d'alimentation avant de procéder à des travaux d'entretien.

- Se reporter au manuel d'utilisation du constructeur du moteur pour obtenir de plus amples renseignements sur l'entretien du moteur.
- Demander régulièrement à votre concessionnaire Husqvarna de vérifier le produit et d'effectuer les ajustements et les réparations essentiels.
- Garder toutes les pièces en bon état d'utilisation et s'assurer que toutes les fixations sont correctement serrées. Remplacer tous les autocollants usés ou abîmés.

## Entretien quotidien

- Vérifier l'huile moteur.



**MISE EN GARDE :** Se reporter au manuel d'utilisation du constructeur du moteur pour un entretien adéquat.

- Vérifier que l'équipement de sécurité du produit est en parfait état. Se reporter à la section *Dispositifs de sécurité sur l'outil à la page 31* pour obtenir des renseignements.
- Nettoyez l'extérieur du produit. Ne pas utiliser de nettoyeur à haute pression pour nettoyer la scie.
- Ne pas employer d'eau pour nettoyer le moteur ou la boîte électrique.
- Ouvrir le protège-lame. Nettoyer l'intérieur et l'extérieur et fermer le protège-lame.
- Desserrer les bacs de collecte arrière et avant du chariot de transport et les nettoyer.
- Desserrer le bac de collecte d'eau et le nettoyer.

## Pour entretenir la pompe à eau



**AVERTISSEMENT :** Ne jamais nettoyer le moteur et les pièces électriques avec de l'eau.

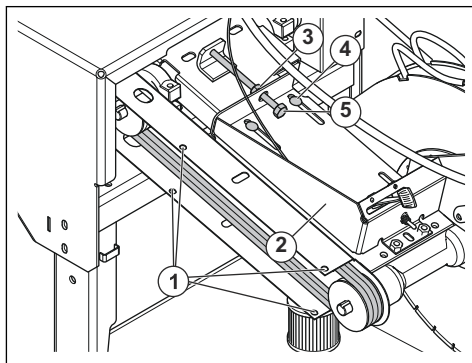
1. Faire circuler un court instant l'eau dans le système d'approvisionnement pour éviter que les résidus obstruent les flexibles.

## Tension de la courroie de l'arbre de lame (MS 610 G)



**MISE EN GARDE :** Lors du remplacement de la courroie de l'arbre de lame, s'assurer de la remplacer par une courroie recommandée par Husqvarna.

1. Retirer les écrous (1) et le couvercle de la courroie d'entraînement.



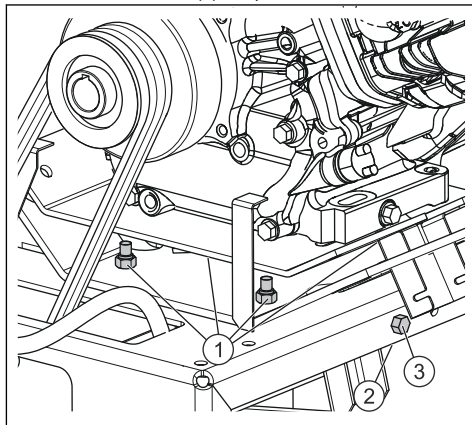
2. Desserrer les boulons (4) qui maintiennent ensemble avant de la tête de coupe (2).
3. Desserrer l'écrou du tendeur de courroie (3).
4. Régler le tendeur de courroie jusqu'à ce que la tension de courroie appropriée soit atteinte (5).
5. S'assurer que la courroie est correctement tendue (40 Hz).
6. Serrer l'écrou (3) sur le tendeur de courroie (5).
7. Serrer les boulons (4) de la tête de coupe (2) pour verrouiller et fixer la tension de la courroie

## Tension de la courroie du moteur (MS 610 G)



**MISE EN GARDE :** Lors du remplacement de la courroie du moteur, s'assurer de la remplacer par une courroie recommandée par Husqvarna.

1. Desserrer les 4 vis (1), ne pas les retirer.



2. Desserrer l'écrou du tendeur de courroie (2).
3. Régler le tendeur de courroie jusqu'à ce que la tension de courroie appropriée soit atteinte (3).

4. S'assurer que la courroie est correctement tendue (40 Hz).
5. Serrer l'écrou (2) sur le tendeur de courroie (3).
6. Serrer les 4 vis (1).

### Tension de la courroie du moteur (MS 610)

Vérifier la courroie trapézoïdale lorsque l'appareil est neuf et s'assurer que la courroie est correctement tendue (40 Hz). La scie dispose d'une courroie

trapézoïdale à haute tension. La courroie est correctement tendue à l'usine, mais après quelques heures d'utilisation, la courroie s'étirera et devra être retendue.

1. Desserrer les 4 vis (1) qui fixent le moteur.
2. Serrer le boulon du tendeur de courroie (2) à l'arrière de la scie jusqu'à ce que la tension de la courroie soit adéquate (40 Hz)
3. Serrer les 4 vis qui fixent le moteur.

## Dépannage

### Dépannage

dans ce manuel de l'opérateur. Les travaux plus importants doivent être effectués par un atelier d'entretien agréé.



**AVERTISSEMENT** : L'utilisateur ne doit effectuer que les travaux d'entretien décrits

Problème (MS 610)	Solution
Le moteur s'arrête au cours de l'utilisation.	1. Vérifier toutes les connexions électriques. Si elles sont endommagées, contacter un électricien qualifié.
	2. Le commutateur manuel de surcharge s'est déclenché : Les moteurs 60 Hz à une phase ont un bouton de réinitialisation de surcharge. Si le moteur s'arrête en raison d'une surcharge électrique et que le bouton de réinitialisation de surcharge se déclenche, tourner l'interrupteur du moteur à la position OFF (arrêt). Laisser le moteur se refroidir pendant 5 à 10 minutes, puis appuyer sur le bouton de réinitialisation. Un déclic indique que le moteur est réinitialisé et prêt à fonctionner. Redémarrer le moteur en tournant l'interrupteur à la position ON (marche).

## Transport, entreposage et mise au rebut

### Transport

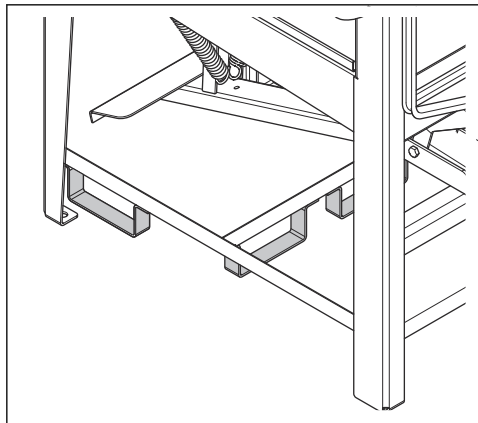


**MISE EN GARDE** : Pendant le transport, immobiliser le produit afin d'éviter les dommages et les accidents dus au transport.

- Retirer la lame avant de transporter le produit.
- Inspecter toutes les lames neuves à la recherche de dommages dus au transport.
- Transporter le produit et le carburant, de sorte qu'il n'y ait aucun risque de fuite quelconque. S'assurer que les vapeurs de carburant n'entrent pas en contact avec les étincelles ou les flammes nues, par exemple, provenant des machines électriques, des moteurs électriques, des relais et des commutateurs électriques ou des chaudières.

- Faire attention lors du levage. La manipulation des pièces lourdes est en cours, ce qui implique le risque de pincement ou d'autres blessures.
- Arrêter le moteur avant de soulever ou de déplacer le produit. Vider le plateau pour l'eau par le trou du fond.

- Soulever le produit au moyen d'un chariot élévateur et de supports de levage.



## Entreposage

- Retirer la lame avant d'entreposer le produit.
- Inspecter les lames neuves à la recherche de dommages dus à l'entreposage.
- Ranger la lame dans un endroit sec.
- Ranger le produit et le carburant, de sorte qu'il n'y ait aucun risque de fuite quelconque. S'assurer que les vapeurs de carburant n'entrent pas en contact avec les étincelles ou les flammes nues, par exemple, provenant des machines électriques, des moteurs électriques, des relais et des commutateurs électriques ou des chaudières.
- Lors de l'entreposage du produit pendant des périodes prolongées, le réservoir de carburant doit

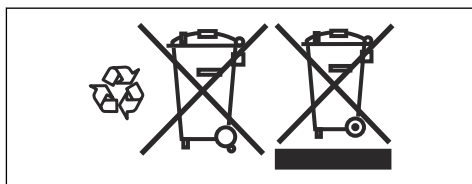
être vide. Communiquer avec votre station-service locale pour savoir où se débarrasser de l'excédent de carburant.

- Arrêter le moteur avant de soulever ou de déplacer le produit. Vider le plateau pour l'eau par le trou du fond.
- Fixer l'équipement
- Remiser le produit dans une zone fermable à clé, de façon à le mettre hors de portée des enfants et des personnes non autorisées.

## Mise au rebut

Les symboles sur le produit ou l'emballage du produit indiquent que vous ne pouvez pas traiter ce produit comme un déchet domestique. Le déposer dans un centre de recyclage pour la récupération des équipements électriques et électroniques.

En veillant à ce que ce produit soit traité de façon adéquate, vous contribuez à réduire l'impact négatif potentiel sur l'environnement et les personnes de la mauvaise gestion des déchets. Pour obtenir de plus amples renseignements sur le recyclage de ce produit, communiquez avec votre municipalité, votre service de déchets ménagers ou le magasin où vous avez acheté le produit.



## Données techniques

### Données techniques (MS 610 G)

Type de produit, modèle	MS 610 G
Moteur*	Kohler CH440
Puissance, Hp/kW**	14/10,4
Vitesse, tr/min	3600
Capacité du réservoir d'huile, pintes US/litres	1,4/1,3
Capacité du réservoir de carburant, pintes/litres	7,8/7,3
Poids, lb/kg	485,8/220,3
Dimensions (LxWxH), po/mm	58,2x27,2x75,6/1480x690x1920

Type de produit, modèle	MS 610 G
<p>Pour obtenir de plus amples renseignements et pour toute question au sujet de ce moteur particulier, consulter le site Web <a href="http://www.kohlerengines.com">www.kohlerengines.com</a>.</p>	
<p>**Tel que spécifié par le fabricant du moteur. La puissance des moteurs indiquée est la puissance de sortie moyenne nette (aux tours par minute spécifiés) d'un moteur de production type pour le modèle de moteur, mesurée selon la norme SAE J1349. Les moteurs de production en série peuvent varier de cette valeur. La puissance de sortie réelle du moteur installé sur le produit final dépend de la vitesse de fonctionnement, des conditions environnementales et d'autres variables.</p>	

Refroidissement à l'eau	
Débit maximal de la pompe à eau, g/h – l/h	300/1140
Capacité du réservoir d'eau, gal/l	5,7/26

Équipement de coupe	14 po	20 po	24 po
Vitesse maximale de la broche, tr/min	3100	3100	3100
Taille de lame – max., po/mm	14/355	20/508	24/609
Profondeur de coupe – max., pouce/mm	5/127	8/203	10/254
Longueur de coupe – max., pouce/mm	15/380	15/380	15/380
Taille de l'arbre, po/mm	1/25,4	1/25,4	1/25,4

## Données techniques (MS 610)

Type de produit, modèle	Électrique MS 610	Électrique MS 610	Électrique MS 610	Électrique MS 610
Moteur	Baldor	Baldor	Baldor	Baldor
Puissance, HP	5	3	5	7,5
Capacité maximum du protège-lame, po/mm	14/350	24/609	24/609	24/609
Vitesse de rotation de l'arbre de lame, tours par minute	3 090	2 350	2 350	2 350
Profondeur maximum de coupe, po/mm	5,0/127	10,0/254		

Type de produit, modèle	Électrique MS 610	Électrique MS 610	Électrique MS 610	Électrique MS 610
Taille de l'arbre de la lame, po/mm	1,00/25,4			
Protège-lame	Une seule pièce en acier, conception Sta-Level™, capacité maximum de 24 po (609 mm)			
Poids, lb/kg	333/149	333/149	333/149	368/165
Dimensions (LxWxH), po/mm	47,5 x 24,06 x 58,82/107 x 611 x 1 494	47,5 x 24,06 x 58,82/107 x 611 x 1 494	47,5 x 24,06 x 58,82/107 x 611 x 1 494	47,5 x 24,06 x 58,82/107 x 611 x 1 494

Refroidissement à l'eau	
Débit maximal de la pompe à eau, g/h – l/h	300/1140
Capacité du bac d'eau, gal/l	13,1/49,6

---

# Contenido

---

Introducción.....	48	Mantenimiento.....	66
Seguridad.....	53	Solución de problemas.....	68
Montaje.....	57	Transporte, almacenamiento y eliminación de residuos.....	68
Funcionamiento.....	59	Datos técnicos.....	69

---

## Introducción

---

### Responsabilidad del propietario

---



**ADVERTENCIA:** Cuando corta con la máquina, especialmente cuando se corta EN SECO, el material que corta produce polvo que con frecuencia contiene sílice. El sílice es un componente básico de la arena, el cuarzo, la arcilla de los ladrillos, el granito y otros numerosos minerales y rocas. La exposición a una cantidad excesiva de ese polvo puede causar:

Enfermedades respiratorias, como la bronquitis crónica, la silicosis y la fibrosis pulmonar. Estas enfermedades pueden ser mortales.

Irritación cutánea y sarpullido.

Cáncer, según el NTP\* y la IARC\* \*/National Toxicology Program (Programa Nacional de Toxicología) y Centro Internacional de Investigaciones sobre el Cáncer.

- Las instrucciones de seguridad de los productos.
- La gama de aplicaciones y limitaciones de los productos.
- Cómo el producto se va a utilizar y mantener.

La legislación nacional vigente puede regular el uso de este producto. Infórmese sobre qué legislación se aplica en el lugar donde trabaja antes comenzar a utilizar el producto.

### Uso específico

Este producto ha sido diseñado y previsto para cortar azulejos, piedras, adoquines y ladrillos. No se debe usar para ningún otro propósito.

El producto está diseñado para utilizarse en aplicaciones industriales por usuarios experimentados.

### Descripción de la máquina

Los modelos MS 610 G, MS 610 son potentes sierras portátiles para cortar cerámica y piedra, que se instalan de forma estacionaria durante el trabajo. El modelo MS 610 es una versión eléctrica y el modelo MS 610 G es una versión que utiliza gasolina.

El alto rendimiento, la fiabilidad, la tecnología innovadora, las soluciones técnicas avanzadas y las consideraciones medioambientales son valores que caracterizan a los productos de Husqvarna. Para el funcionamiento seguro de este producto, el usuario debe leer este manual detenidamente. Comuníquese con su distribuidor o con Husqvarna para obtener más información.

Algunas de las características únicas del producto se describen a continuación.

- El producto tiene la capacidad para cortar material de un grosor de 191 mm (7,5") en un corte y 381 mm (15") en dos cortes.
- Corte de inmersión flexible.
- La brida de cuchilla grande de Ø 82 mm (3") proporciona una amplia y adecuada superficie de apoyo para la cuchilla.
- Embrague de la cuchilla (opcional)



**ADVERTENCIA:** Tome medidas preventivas:

Evite inhalar y que su piel entre en contacto con el polvo, el vaho y los gases.

Asegúrese de que todas las personas que se encuentren cerca utilicen la protección respiratoria adecuada, como máscaras contra polvo diseñadas para filtrar partículas microscópicas. (Consulte la normativa OSHA 29 CFR Parte 1926.1153)

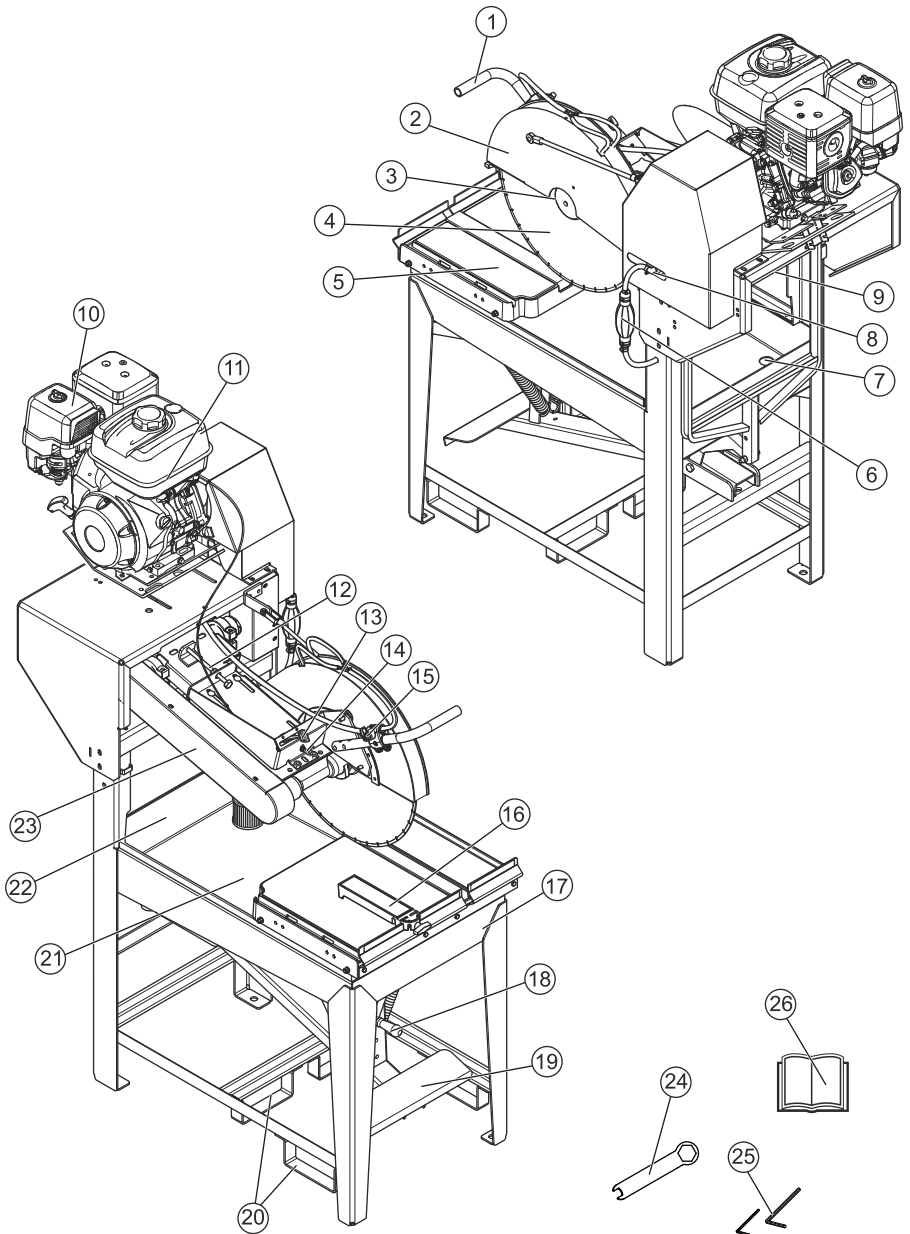
Corte en húmedo cuando sea posible para reducir al mínimo las emisiones de polvo. Si el corte en seco es necesario, utilice la unidad de aspiradora.

---

Es responsabilidad del propietario o empleador que el usuario tenga los conocimientos necesarios sobre cómo utilizar el producto de forma segura. Los supervisores y usuarios deben haber leído y comprendido el manual de usuario. Deben tener conocimiento de lo siguiente:

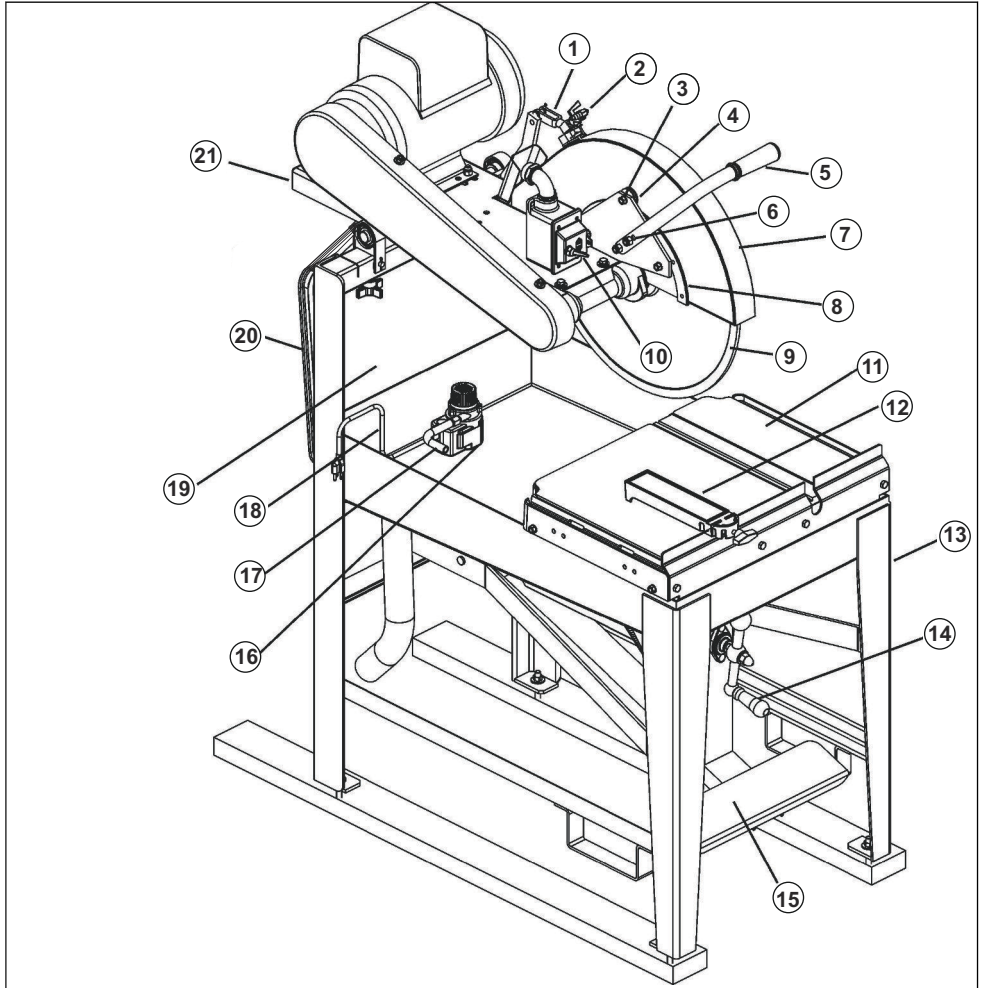


# Descripción general (MS 610 G)



1. Mango, brazo de corte
2. Protector de la cuchilla
3. Brida exterior
4. Cuchilla
5. Carro transportador
6. Bomba de cebado
7. Tapón de vaciado
8. Placa de identificación
9. Bomba de agua
10. Purificador de aire del motor
11. Motor
12. Perno de tensión de la correa del eje de la cuchilla
13. Pinza
14. Interruptor del motor ON/OFF (Encendido/Apagado)
15. Perilla del agua, agua a la cuchilla ON/OFF (Encendido/Apagado)
16. Guía de inglete
17. Bastidor
18. Mango de ajuste de altura
19. Pedal
20. Soportes para la elevación de la horquilla
21. Bandeja de agua
22. Protección contra salpicaduras
23. Cubierta de la correa
24. Llave
25. Llave Allen
26. Manual de usuario

## Descripción general (MS 610)



- |                                                           |                                                                   |
|-----------------------------------------------------------|-------------------------------------------------------------------|
| 1. Brazo de inclinación                                   | 12. Guía longitudinal                                             |
| 2. Válvula de agua                                        | 13. Soldadura de la base                                          |
| 3. Tornillo de fijación (pivote de protección del disco)  | 14. Mango de control de la altura del disco                       |
| 4. Rueda (pivote de protección del disco)                 | 15. Pedal                                                         |
| 5. Empuñadura con agarre                                  | 16. Bomba de agua                                                 |
| 6. Tornillería de fijación de la empuñadura               | 17. Manguera de agua (bomba de agua para la protección del disco) |
| 7. Conjunto de la protección del disco                    | 18. Cable eléctrico (bomba de agua)                               |
| 8. Barra guía                                             | 19. Protección contra salpicaduras                                |
| 9. Disco (abrasivo o de diamante)                         | 20. Pedal de freno                                                |
| 10. Interruptor de encendido (ON-OFF [Encendido-Apagado]) | 21. Conjunto de la plataforma superior                            |
| 11. Conjunto del carro transportador                      |                                                                   |

## Símbolos en la máquina



**ADVERTENCIA:** La máquina puede ser una herramienta peligrosa si se usa incorrectamente o se manipula sin precaución, lo que puede causar lesiones graves o mortales para el operador u otras personas.



Lea atentamente el manual del usuario y asegúrese de que entiende las instrucciones antes de utilizar la máquina.



Siempre use:

- Protectores auriculares
- Gafas de protección o un visor
- Máscara protectora.



¡ADVERTENCIA! Mantenga las manos y los pies alejados de la cuchilla.



¡ADVERTENCIA! Las protecciones siempre deben estar instaladas en el producto.



¡ADVERTENCIA! Cuando se realizan cortes se acumula polvo, que puede causar lesiones si se inhala. Utilice una máscara respiratoria aprobada. Evite inhalar los gases de escape. Proporcione siempre una buena ventilación.



¡ADVERTENCIA! Las chispas del disco de corte pueden provocar fuego en materiales inflamables como gasolina, madera, ropa, hierba seca, etc.



¡ADVERTENCIA! Asegúrese de que los discos de corte no tengan grietas ni daños de ningún tipo.



¡ADVERTENCIA! No utilice discos de sierra circulares.



Función de bloqueo.



Superficie caliente.



Función del acelerador, ajuste de velocidad.

**Tenga en cuenta:** Otros símbolos o etiquetas en el producto hacen referencia a requisitos de certificación especiales para ciertos mercados.

**⚠ WARNING**

The engine exhaust from this product contains chemicals known to the State of California to cause cancer, birth defects or other reproductive harm.

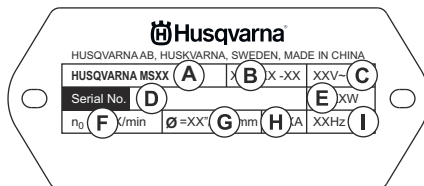
**⚠ ATTENTION!**

Les émissions du moteur de cet outil contiennent des produits chimiques qui, d'après l'État de Californie, peuvent causer le cancer, des malformations congénitales ou autre danger pour la reproduction.

**⚠ ATTENTION!**

Los gases de escape del motor de este producto contienen sustancias químicas conocidas en el Estado de California como causantes de cáncer, defectos congénitos y otros daños reproductivos.

## Placa de identificación



A: marca, tipo/modelo

B: número del producto

C: voltaje

D: número de serie con fecha de fabricación (YYYY, WW, XXXX): Año, semana, nro. de secuencia

E: potencia nominal del motor, kW.

F: velocidad nominal del eje, RPM

G: diámetro máximo de corte de la rueda

H: corriente nominal, amperio (si corresponde)

I: frecuencia de entrada

## Responsabilidad del fabricante

Es responsabilidad del propietario o empleador que el usuario tenga los conocimientos necesarios sobre cómo utilizar el producto de forma segura. Los supervisores y usuarios deben leer y comprender el manual de usuario, y tener en cuenta lo siguiente:

- las instrucciones de seguridad del producto.
- la gama de aplicaciones y limitaciones del producto.

- cómo se utiliza y el producto y cómo se realiza su mantenimiento.

La legislación nacional puede limitar el funcionamiento de este producto. Infórmese sobre qué legislación se aplica en el lugar donde trabaja antes de comenzar a utilizar el producto.

Las normas locales pueden limitar el funcionamiento de este producto. Infórmese sobre qué normas se aplican en el lugar donde trabaja antes de comenzar a utilizar el producto.

---

## Seguridad

---

### Definiciones de seguridad

Las advertencias, precauciones y notas se utilizan para señalar las piezas particularmente importantes del manual del usuario.



**ADVERTENCIA:** Se utilizan para señalar el riesgo de lesiones graves o mortales para el operador o para aquellos que se encuentren cerca si no se siguen las instrucciones del manual.



**AVISO:** Se utilizan para señalar el riesgo de dañar el producto o accesorio, otros materiales o el área adyacente si no se respetan las instrucciones del manual.

**Tenga en cuenta:** Se utilizan para entregar más información necesaria en situaciones particulares.

### Instrucciones generales de seguridad

No es posible abordar todas las posibles situaciones que puede afrontar. Siempre tenga cuidado y use su sentido común. Si entra en una situación en la que se sienta inseguro, deténgase y busque el asesoramiento de expertos. Póngase en contacto con el distribuidor, el agente de servicio o un usuario experimentado. No intente realizar ninguna tarea en la cual se sienta inseguro.



**ADVERTENCIA:** Nunca utilice un producto que tenga un equipo de seguridad defectuoso. Si la máquina no aprueba alguna comprobación, póngase en contacto con su taller de servicio para repararla. El motor debe estar apagado y el interruptor de detención en la posición STOP (Detención).



**ADVERTENCIA:** Lea atentamente el manual del usuario y asegúrese de que entiende las instrucciones antes de utilizar la máquina. Se recomienda que quienes operan la máquina por primera vez reciban también

instrucciones prácticas antes de utilizar el producto.



**ADVERTENCIA:** Tenga en cuenta que usted, el operador, es responsable de no exponer a las personas o su propiedad a accidentes o peligros.



**ADVERTENCIA:** El producto se debe mantener limpio. Los avisos y los autoadhesivos deben ser perfectamente legibles.



**ADVERTENCIA:** La máquina puede ser una herramienta peligrosa si se usa incorrectamente o se manipula sin precaución, lo que puede causar lesiones graves o mortales para el operador u otras personas.



**ADVERTENCIA:** Nunca permita que los niños u otras personas no capacitadas en la utilización de este producto lo utilicen o le realicen mantenimiento.



**ADVERTENCIA:** La máquina no está diseñada para ser utilizada por personas (incluidos niños) con habilidades físicas, sensoriales o mentales reducidas o con falta de experiencia y conocimientos.



**ADVERTENCIA:** Nunca permita que otras personas utilicen el producto sin asegurarse primero de que han leído y comprendido el contenido del manual de usuario.



**ADVERTENCIA:** No utilice nunca el producto si está cansado, bajo la influencia del alcohol o las drogas, medicamentos o cualquier cosa que pudiera afectar su visión, vigilancia, coordinación o criterio.



**ADVERTENCIA:** Las modificaciones o los accesorios no autorizados pueden provocar graves lesiones o incluso la muerte al usuario u otras personas. Bajo ninguna circunstancia se puede modificar el diseño del producto sin el permiso del fabricante.



**ADVERTENCIA:** No modifique este producto ni lo utilice si parece haber sido modificado por otros.



**ADVERTENCIA:** Nunca utilice un producto que esté defectuoso. Realice las comprobaciones de seguridad, el mantenimiento y las instrucciones de servicio descritas en este manual. Especialistas capacitados y calificados deben llevar a cabo algunas medidas de mantenimiento y servicio. Consulte para obtener *Mantenimiento en la página 66* instrucciones.



**ADVERTENCIA:** Utilice siempre accesorios originales.



**ADVERTENCIA:** En este producto se genera un campo electromagnético durante su funcionamiento. Este campo puede, en determinadas circunstancias, interferir con implantes médicos activos o pasivos. Para reducir el riesgo de lesiones graves o fatales, recomendamos a las personas con implantes médicos consultar a su médico y al fabricante del implante médico antes de usar esta máquina.

## Instrucciones de seguridad para el montaje

- Asegúrese de que el interruptor del motor se encuentre en la posición "OFF" (Apagado) antes del montaje.
- Revise que el producto esté correctamente armado y sin daños. No use un producto dañado.
- No utilice el producto si cambia su especificación inicial. No cambie una parte del producto sin la aprobación del fabricante. Utilice solo piezas aprobadas por el fabricante.

## Instrucciones de seguridad para el funcionamiento

### Seguridad en el área de trabajo



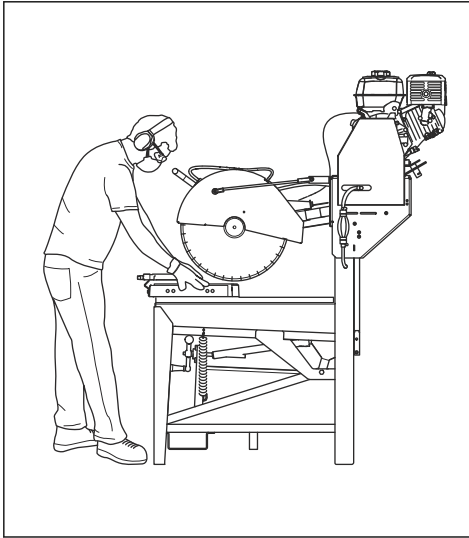
**ADVERTENCIA:** Asegúrese de que las personas no autorizadas se mantengan a una distancia adecuada. Usted es

responsable de asegurarse de que no haya animales ni personas cerca del área de trabajo.

- Mantenga el área de trabajo limpia y bien iluminada. Las zonas desordenadas u oscuras aumentan el riesgo de accidentes.
- Las personas y los animales pueden distraerle y hacer que pierda el control del producto. Por este motivo, manténgase siempre concentrado y centrado en la tarea.
- No utilice la máquina en condiciones climáticas desfavorables, como nieblas densas, lluvias abundantes, vientos fuertes, fríos intensos, etc.
- Nunca comience a trabajar con el producto si el área de trabajo no está limpia y no tiene un punto de apoyo firme.

### Seguridad personal

- No utilice nunca la máquina si está cansado, bajo la influencia del alcohol o las drogas, medicamentos o cualquier cosa que pudiera afectar su visión, vigilancia, coordinación o criterio.
- Compruebe que no haya herramientas ni otros objetos sobre el producto.
- Nunca permita que otra persona utilice el producto sin la capacitación adecuada.
- Apague siempre el producto cuando detenga el trabajo por más tiempo del necesario.
- Nunca trabaje solo, asegúrese siempre de que haya otra persona cerca.
- Aprenda a utilizar el producto y sus controles de forma segura y también a detener el producto de forma rápida. Aprenda también a reconocer las etiquetas de seguridad.
- Mantenga los mangos secos, limpios y sin grasa ni aceite.
- No se estire demasiado. Mantenga una posición y un equilibrio adecuados en todo momento.
- Nunca se suba encima del producto.
- Permanezca en posición vertical. Mantenga la distancia entre su cara y el disco de corte. Coloque ambas manos en la pieza de trabajo tan lejos del disco de corte como sea posible. Si se utiliza la función de inmersión, coloque una mano en el mango de corte.



que se produzca un accidente. Pida ayuda a su distribuidor para elegir el equipo correspondiente.

Siempre use:

- Casco de protección autorizado.
- Protectores auriculares.
- Protección ocular aprobada. Si utiliza una máscara de protección, entonces también debe utilizar gafas protectoras autorizadas. Las gafas protectoras autorizadas deben cumplir con la norma ANSI Z87.1 de EE. UU. o EN 166 para países de la UE. Los visores deben cumplir con la norma EN 1731.
- Protección respiratoria aprobada.
- Guantes protectores.
- Guantes antideslizantes reforzados.
- Vestimenta ceñida, reforzada y cómoda que permita una total libertad de movimiento. Las acciones de corte generan chispas que pueden prender fuego a la ropa. Husqvarna recomienda que lleve ropa de algodón retardante de llama o mezclilla gruesa. No use ropa de materiales como nailon, poliéster o rayón. Si estos materiales se encienden, pueden derretirse y adherirse a la piel. No utilice pantalones cortos.
- Botas con punta de acero y suela antideslizante.

## Equipo de protección personal



**ADVERTENCIA:** El uso de máquinas tales como las cortadoras, las amoladoras o los taladros que lijan o dan forma a materiales, puede generar polvo y vapores que podrían contener elementos químicos peligrosos. Compruebe el origen del material que va a procesar y utilice una máscara respiratoria adecuada.



**ADVERTENCIA:** Use siempre protectores auriculares aprobados. La exposición prolongada al ruido puede causar la pérdida permanente de la audición. Esté atento a las señales de advertencia o los avisos cuando utilice protectores auriculares. Siempre retire sus protectores auriculares apenas se detenga el motor.



**ADVERTENCIA:** Siempre hay riesgo de lesiones por aplastamiento cuando se trabaja con productos que contienen piezas móviles. Use guantes protectores para evitar lesiones físicas.



**ADVERTENCIA:** Cuando trabaje con el producto, podrían generarse chispas y ocasionar un incendio. Mantenga a mano el equipo de extinción de incendios.

Debe utilizar el equipo de protección personal autorizado cuando utilice la máquina. El equipo de protección personal no puede eliminar el riesgo de lesiones, pero reducirá el grado de lesiones en caso de

Siempre tenga cerca un botiquín de primeros auxilios y un equipo contra incendios.

## Dispositivos de seguridad en el producto



**ADVERTENCIA:** Nunca utilice un producto que tenga un equipo de seguridad defectuoso. Si la máquina no aprueba alguna comprobación, póngase en contacto con su taller de servicio para repararla. Apague el producto.

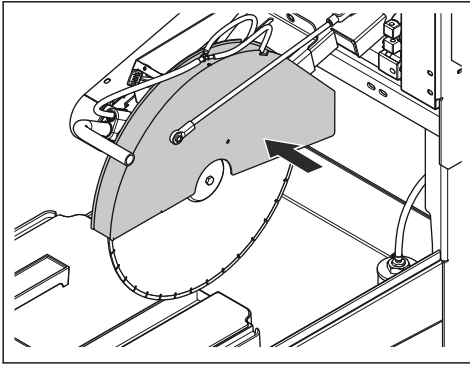
En esta sección se describe el equipo de seguridad del producto, su propósito y cómo deben llevarse a cabo los controles y el mantenimiento para asegurarse de que funcione correctamente.

## Protector de la cuchilla



**ADVERTENCIA:** Nunca utilice el producto sin la protección o con una protección defectuosa. Siempre verifique que la protección esté correctamente instalada antes de encender el producto. Se prohíbe exponer la cuchilla a más de 180 grados sin protección.

La protección de la cuchilla está diseñada para impedir que las piezas de la cuchilla o los fragmentos cortados salgan eyectados hacia el usuario.



### Interruptor ON/OFF (Encendido/Apagado) del motor

Para comprobar el interruptor OFF (Apagado) del motor.

- Gire el interruptor de encendido del motor a la posición OFF (Apagado).
- Compruebe que el motor esté apagado y que la cuchilla no gire.

Un interruptor de encendido de motor defectuoso se debe reemplazar en un taller de servicio autorizado.

### Bomba de agua



**ADVERTENCIA:** No agote la bomba de agua. La bomba solo podrá utilizarse junto con los productos de este manual y se debe utilizar de acuerdo con las instrucciones del manual.

## Instrucciones de seguridad para el mantenimiento



**ADVERTENCIA:** El usuario solo debe llevar a cabo el trabajo de mantenimiento y servicio descrito en este manual. Si se requieren trabajos de mayor envergadura, estos deben llevarse a cabo por un taller de servicio autorizado. Utilice un equipo de protección personal. Para obtener más información, consulte *Equipo de protección personal en la página 55*.



**ADVERTENCIA:** Asegúrese de que el interruptor del motor se encuentre en la posición OFF (Apagado) antes de realizar cualquier comprobación o mantenimiento

## Seguridad eléctrica



**ADVERTENCIA:** Siempre existe el riesgo de recibir una descarga de parte de las máquinas eléctricas. Evite trabajar en condiciones climáticas adversas y el

contacto corporal con objetos metálicos y pararrayos. Siempre siga las instrucciones del manual de usuario para evitar daños.



**ADVERTENCIA:** Nunca conecte la máquina a una toma de corriente si el enchufe o el cable están dañados.



**ADVERTENCIA:** Cuando limpie la máquina, asegúrese de proteger el sistema eléctrico y la unidad del motor contra el agua. El agua puede provocar daños a la máquina o provocar un cortocircuito en el motor.

- Compruebe que el voltaje de la red de electricidad corresponde al establecido en la placa de características en la máquina.
- La inspección y el mantenimiento se deben realizar con el motor apagado y el enchufe desconectado.
- Siempre apague la máquina antes de desconectar el enchufe.
- No tire la máquina por el cable de alimentación y nunca desconecte el enchufe tirando el cable de alimentación. Sostenga el enchufe para desconectar el cable de alimentación.
- No utilice la máquina si los cables o el enchufe se encuentran dañados. Deje que un técnico calificado los repare.
- Siempre conecte la máquina con un interruptor de circuito de falla a tierra que desconecte una falla de conexión a tierra de 30 mA.
- Asegúrese de que el interruptor de encendido se encuentre en la posición Off (Apagado) antes de conectar la máquina a una toma de corriente para evitar un arranque accidental.

## Instrucciones para realizar la conexión a tierra



**ADVERTENCIA:** Una conexión inadecuada puede provocar una sacudida eléctrica. Comuníquese con un electricista calificado para asegurarse de que el aparato esté conectado a tierra de forma adecuada.



**ADVERTENCIA:** No modifique el enchufe. Si no calza con la toma de corriente, comuníquese con un electricista calificado para instalar una toma de corriente adecuada. Asegúrese de que cumple con las normativas y leyes locales.



**ADVERTENCIA:** Si no comprende del todo las instrucciones para realizar la conexión a tierra, comuníquese con un electricista calificado.

- La máquina cuenta con un cable y un enchufe con toma a tierra que se deben conectar siempre a una



toma de corriente con toma a tierra y evitar sacudidas eléctricas si se detecta una falla.

## Cables de extensión

- La marca en el cable de extensión debe ser la misma o superior al valor que se establece en la placa de características de la máquina.
- Utilice cables de extensión con toma a tierra.
- Cuando haga funcionar una herramienta eléctrica en exteriores, utilice un cable de extensión para uso en exteriores.
- Mantenga la conexión al cable de extensión seca y no la deje en el suelo.
- Mantenga los cables alejados de las fuentes de calor, el aceite, los bordes afilados o las piezas móviles. Los cables dañados o enredados aumentan el riesgo de sacudidas eléctricas.
- Asegúrese de que el cable y el cable de extensión no se encuentren dañados. No utilice la máquina si los cables o el enchufe se encuentran dañados. Deje que un técnico calificado los repare.
- No utilice el cable de extensión si está enrollado. Se puede sobrecalentar.
- Utilice solamente los cables de extensión certificados con la longitud correcta.

## Montaje

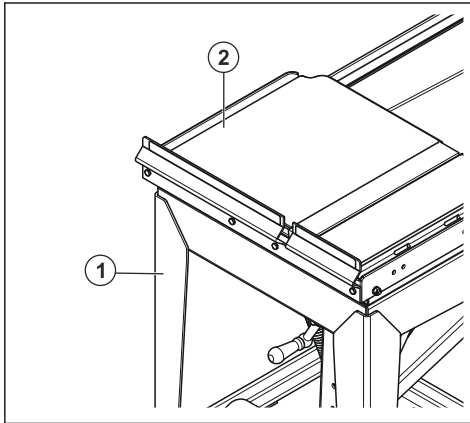
### Introducción

Coloque la sierra en una superficie plana, horizontal y estable, para evitar que el equipo se de vuelta, se resbale o se mueva por la superficie.

### Para armar el producto

El producto consta de dos partes: el chasis (1) y el carro transportador (2).

1. Coloque el carro transportador en el chasis.



2. Asegúrese de que las ruedas del carro transportador rueden a los lados del chasis.

### Para ajustar la cuchilla

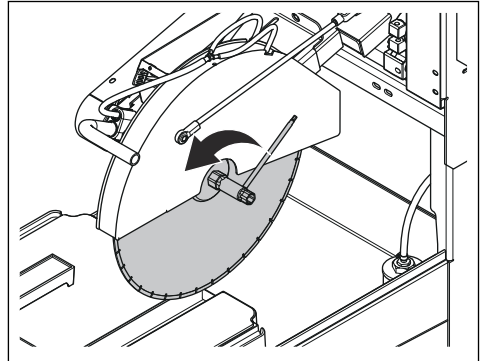


**ADVERTENCIA:** El motor debe estar apagado y el interruptor de detención debe estar en la posición STOP (Detención).



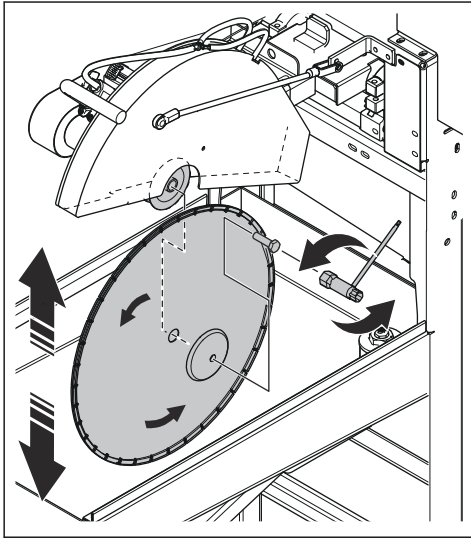
**ADVERTENCIA:** Siempre utilice guantes de trabajo pesado cuando manipule la cuchilla. La cuchilla es muy afilada y puede provocar cortes fácilmente.

1. Quite la tuerca del disco.



2. Retire la brida de la cuchilla.
3. Compruebe que el disco, la brida del disco y el eje del disco no estén dañados. Limpie las superficies de contacto de la cuchilla y las bridas de la cuchilla.

- Ajuste el disco, la brida del disco y la tuerca. Asegúrese de que la cuchilla gire en la dirección indicada por la flecha de la cuchilla.



### Para ajustar el tope de profundidad



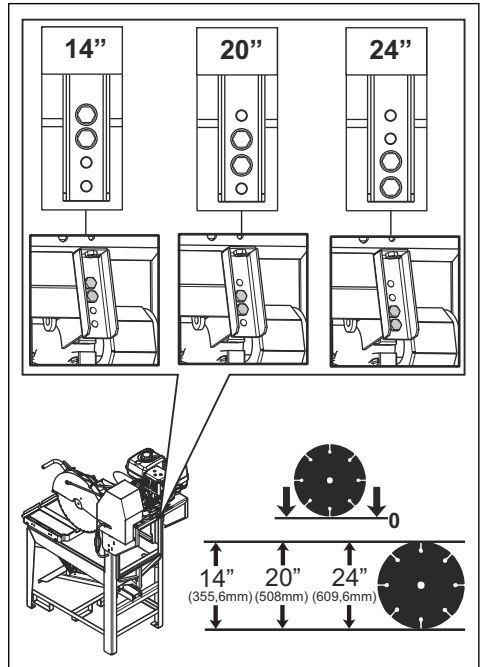
**AVISO:** El tope de profundidad debe ajustarse cuando la cuchilla no esté girando. Verifique periódicamente la profundidad de tope o hay riesgo de que la ranura de corte y el sistema de agua no funcionen correctamente.

**Tenga en cuenta:** El tope de profundidad debe ajustarse cuando se cambie a otros tamaños de la cuchilla.

Ajuste el tope de profundidad para que la hoja alcance la profundidad máxima sin cortar el carro.

- Quite la cuchilla montada.

- Mueva el tope de profundidad a la posición deseada, como se muestra en la imagen.

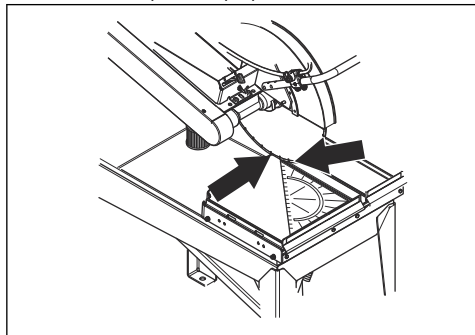


- Apriete las contratuercas para el ajuste de profundidad.
- Monte el tamaño correcto de la cuchilla en relación con el ajuste del tope de profundidad.
- Compruebe la posición de la cuchilla moviendo el carro transportador a su posición delantera y trasera más al extremo. La cuchilla nunca debe tocar el carro.

### Para centrar la cuchilla en la ranura de corte

- Ajuste la cuchilla para que se mueva libremente en la posición más baja en la ranura de corte.

2. Utilice una escuadra y compruebe que la cuchilla se encuentra en posición perpendicular.



3. Examine los bordes delanteros y traseros de la cuchilla del yunque del carro transportador.
4. Verifique que la cuchilla esté centrada en la ranura de corte.

---

## Funcionamiento

---

### Introducción



**ADVERTENCIA:** Nunca utilice una cuchilla de diamante para cortar material de plástico. Cortar metales genera chispas que podrían provocar un incendio. No utilice el producto cerca de sustancias o gases inflamables.



**AVISO:** Bajo cualquier circunstancia evite cortar con los lados del disco; es casi seguro que se dañe o rompa y puede causar enormes daños. Utilice solo la sección de corte.

La experiencia es muy importante cuando se utiliza el producto. Se recomienda un trabajador calificado.

- No sobrecargue el producto. La sobrecarga puede dañar el producto.
- Si no está seguro de qué cuchilla se debe utilizar, póngase en contacto con su taller de servicio local.
- Nunca deje el producto sin supervisión con el motor funcionando.
- Mantenga las herramientas afiladas y limpias para permitir que el trabajo sea más seguro.
- Compruebe que la cuchilla esté correctamente ajustada y que no muestre señales de daños. Consulte la sección *Montaje en la página 57* para obtener instrucciones.
- Compruebe que se esté utilizando la cuchilla adecuada para la aplicación correspondiente.
- Nunca corte materiales de asbesto.

### Antes de empezar

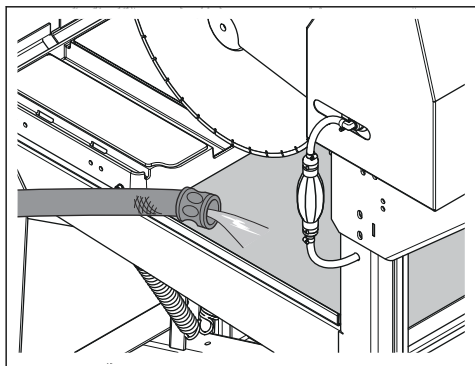
- Lea atentamente el manual del usuario y asegúrese de que entiende las instrucciones antes de utilizar la máquina.

- Utilice equipo de protección personal. Consulte *Equipo de protección personal en la página 55* para obtener instrucciones.
- Compruebe que el tapón de combustible esté bien asegurado y que no haya fugas de combustible.
- Asegúrese de que no haya personas sin autorización en la zona de trabajo, de lo contrario, existe el riesgo de provocar lesiones personales graves.
- Evite el encendido accidental. Asegúrese de que el interruptor esté en la posición OFF (Apagado).
- El disco de corte gira cuando se enciende el motor. Asegúrese de que pueda girar con libertad.
- Compruebe que la máquina esté montada correctamente y que no muestre señales de algún daño. Consulte la sección *Montaje en la página 57* para obtener instrucciones.
- Realice el mantenimiento diario. Consulte la sección *Mantenimiento diario en la página 67* para obtener instrucciones.
- Compruebe que la cuchilla no esté en contacto con el carro transportador para que no pueda dañar la ranura de corte.

### Para llenar con refrigerante

**Tenga en cuenta:** Asegúrese de que el nivel de agua siempre esté sobre las paredes bajas donde se encuentra la bomba.

---

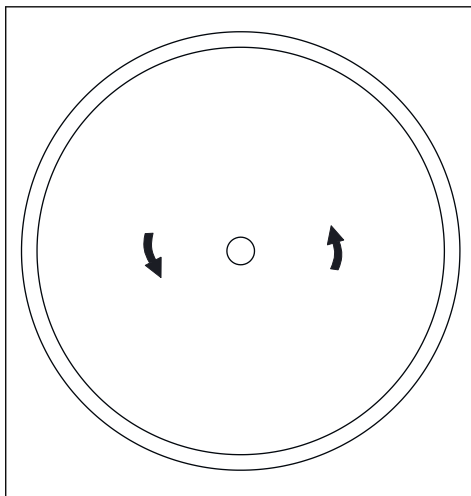


## Cuchillas



**ADVERTENCIA:** Las cuchillas pueden romperse y causar daños graves al usuario. Las cuchillas de diamante pueden calentarse bastante cuando se utilizan. Una cuchilla sobrecalentada es consecuencia de un uso incorrecto y puede ocasionar la deformación de la cuchilla, lo que puede provocar daños y heridas.

- No utilice una cuchilla sobrecalentada.
- La cuchilla debe ser adecuada para el material que se va a cortar.
- Solo introduzca la pieza de trabajo tomando en cuenta la rotación de la cuchilla.
- Asegúrese de que se utilice el buje adecuado para que el disco de corte se ajuste en el producto. Consulte *Para ajustar la cuchilla en la página 57*.
- Las cuchillas deben estar marcadas con una velocidad igual o mayor que la que se indica en la placa de características del producto. No utilice nunca una cuchilla con una velocidad menor que la del producto.
- Cuando se utilizan cuchillas de diamante, asegúrese de que giren en la dirección indicada por la flecha de la cuchilla.



- Las cuchillas de diamante están compuestas por un núcleo de acero provisto de segmentos o un borde continuo que contiene diamantes industriales.

## Cuchillas para diversos materiales



**ADVERTENCIA:** Solo utilice una cuchilla a fin de cortar los materiales para que los está diseñada.

- Nunca corte materiales de plástico con una cuchilla de diamante. El material plástico se funde debido al calor generado cuando corta y se adhiere al disco.
- La selección de la cuchilla debe realizarse en función del material que se va a cortar. Consulte a su distribuidor para que le ayude a elegir el equipo adecuado.
- No utilice cuchillas abrasivas.

## Vibraciones de la cuchilla

- La cuchilla puede salir de su circunferencia y vibrar si se utiliza una presión de alimentación demasiado alta.
- Una presión de alimentación menor puede detener la vibración. De lo contrario, sustituya el disco.

## Cuchillas de diamante



**ADVERTENCIA:** Nunca utilice una cuchilla de diamante para cortar material de plástico. El calor producido durante el corte podría derretir el plástico, que se podría pegar al disco de corte y causar una reculada.



**ADVERTENCIA:** Las cuchillas de diamante pueden calentarse bastante cuando se utilizan. Una cuchilla sobrecalentada es consecuencia de un uso incorrecto y puede

ocasionar la deformación de la cuchilla, lo que puede provocar daños y heridas.

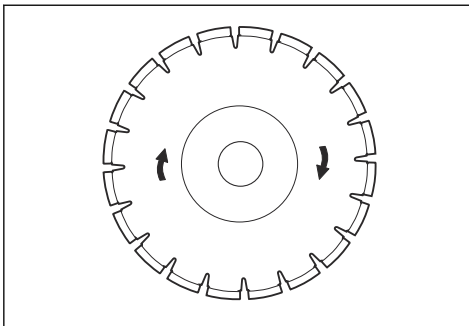


**ADVERTENCIA:** Cortar metales genera chispas que podrían provocar un incendio. No utilice el producto cerca de sustancias o gases inflamables.

**Tenga en cuenta:** Las cuchillas de diamante están disponibles en diversos grados de solidez.

**Tenga en cuenta:** Afile la cuchilla cortando material blando como arenisca o adoquín.

- Utilice siempre una cuchilla de diamante afilada.
- Las cuchillas de diamante pueden desafilarse cuando se utiliza la presión de alimentación equivocada o cuando se cortan ciertos materiales como el concreto altamente reforzado. Trabajar con una cuchilla de diamante desafilada genera un recalentamiento, lo que puede provocar que se suelten segmentos de diamante.
- Las cuchillas de diamante están compuestas por un núcleo de acero provisto de segmentos que contienen diamantes industriales.
- Las cuchillas de diamante son ideales para la mampostería, el concreto reforzado y otros materiales compuestos.
- Las cuchillas de diamante garantizan un menor costo por operación de corte, menos cambios de cuchilla y una profundidad de corte constante.
- Deben utilizarse cuchillas especiales a la hora de cortar metales. Consulte a su distribuidor para que le ayude a elegir el equipo adecuado.
- Cuando utilice una cuchilla de diamante, asegúrese de que gire en el sentido indicado por la flecha de la cuchilla.



### Cuchillas dentadas

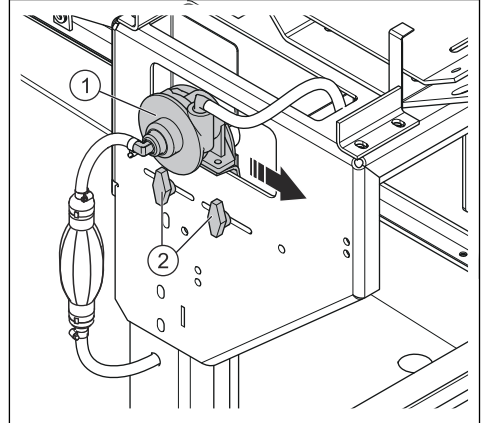


**ADVERTENCIA:** Nunca utilice cuchillas dentadas, como cuchillas cortadoras de madera, cuchillas dentadas circulares, cuchillas con punta de carburo, etc. El

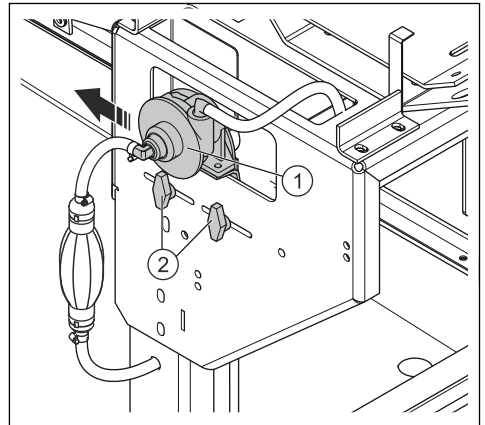
descuido puede provocar lesiones personales graves o incluso fatales.

## Para acoplar y desacoplar la bomba de agua (MS 610 G)

1. Asegúrese de que la bomba de agua (1) esté acoplada antes de cortar el material.
2. Empuje las perillas de la bomba de agua (2) completamente hacia la derecha para acoplar la bomba de agua.



3. Para desacoplar la bomba de agua (1), presione las perillas (2) completamente hacia la izquierda.



## MANEJO DEL COMBUSTIBLE



**ADVERTENCIA:** Hacer funcionar un motor en un área confinada o mal ventilada puede producir la muerte por asfixia o intoxicación por monóxido de carbono. El combustible y sus vapores son altamente inflamables y pueden causar lesiones graves cuando se inhalan o entran en contacto con la piel. Por

esta razón, tenga precaución al manipular el combustible y asegúrese de que haya suficiente ventilación. Los gases de escape del motor están calientes y pueden contener chispas que podrían iniciar un incendio. Nunca encienda el producto en interiores o cerca de material combustible. No fume ni coloque objetos calientes cerca del combustible.

- Apriete el tapón de combustible cuidadosamente después de rellenar con combustible. Si el tapón no está correctamente apretado, podría vibrar hasta soltarse y podría ocurrir una fuga del depósito de combustible, generando un riesgo de incendio.

Nunca encienda el producto:

- Si derramó combustible o aceite de motor sobre el producto, limpie el derrame y deje que el combustible restante se evapore.
- Si derramó combustible sobre usted o su ropa, cámbiese de ropa. Lave cualquier parte de su cuerpo que haya entrado en contacto con el combustible. Utilice jabón y agua.
- Si el producto tiene fugas de combustible, compruebe regularmente si hay fugas en el tapón y las tuberías de combustible.

## Para poner en marcha el producto (MS 610 G)



**ADVERTENCIA:** Cuando almacene y transporte combustible, siempre use los contenedores aprobados para este fin.

**Tenga en cuenta:** El producto está equipado con un motor de cuatro tiempos. Asegúrese de que siempre haya suficiente aceite en el motor.

### Gasolina



**AVISO:** Si hace funcionar el motor a un nivel de octanaje inferior a 87, puede dañar el motor.

- Utilice gasolina sin plomo de buena calidad.
- El nivel de octanaje mínimo recomendado es de 87 ((RON+MON)/2). Si se hace funcionar el motor a un nivel de octanaje inferior a 87, puede producirse un golpeteo. Esto da lugar a una alta temperatura del motor y una mayor carga de cojinete, lo que puede provocar daños graves al motor.



**ADVERTENCIA:** Preste mucha atención a las máquinas sin embrague, ya que la cuchilla comienza a girar cuando se encienden.



**AVISO:** No mueva la sierra hacia los lados o fuera de la zona de trabajo con la cuchilla instalada y en funcionamiento.



**AVISO:** No tire del cordón de arranque en toda su extensión y no suelte la empuñadura de arranque cuando la cuerda esté completamente extendida. Esto puede dañar el producto.

1. Para activar la bomba de agua, consulte *Para reducir el polvo y enfriar la cuchilla en la página 66*. La bomba de agua se acciona automáticamente cuando se enciende el producto.

### Aceite del motor



**AVISO:** Un nivel de aceite demasiado bajo puede causar graves daños al motor. Consulte las instrucciones en la sección *Mantenimiento en la página 66*.



**AVISO:** Nunca utilice aceite destinado a motores de dos tiempos.

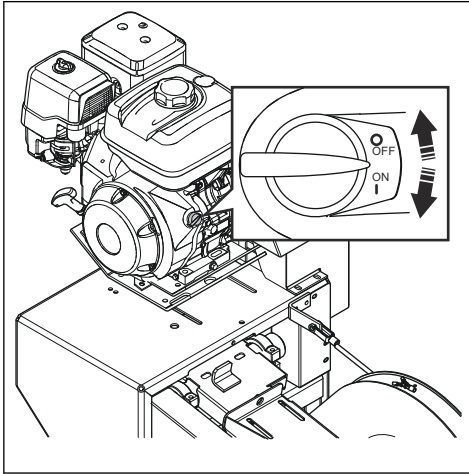
- Compruebe el nivel de aceite antes de encender el producto.

### Para agregar combustible

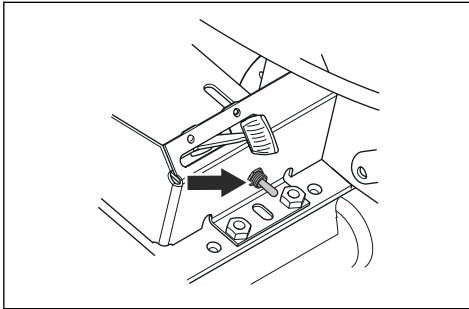
Para reducir el riesgo de incendio:

- No fume.
- No coloque objetos calientes cerca del combustible.
- Siempre detenga el motor y deje que se enfríe por algunos minutos antes de rellenar con combustible.
- Cuando rellene con combustible, abra el tapón de combustible lentamente para que toda la presión se libere suavemente.
- Limpie el área alrededor del tapón de combustible.

2. Mueva la palanca de combustible a la posición **ON** (Encendido).

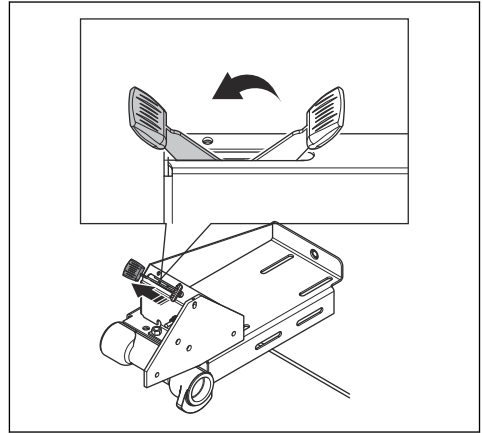


3. Mueva la palanca de estrangulamiento hasta la posición **CLOSED** (Cerrado) (con el motor frío).
4. Mueva la palanca del acelerador de la posición **MIN** (Mínimo) aproximadamente 1/3 del recorrido hacia la posición **MAX** (Máximo).
5. Gire el interruptor de encendido del motor a la posición **ON** (Encendido).



6. Sujete la agarradera del motor de partida, tire del cable con su mano izquierda hasta que sienta un poco de resistencia (la agarradera del trinquete del motor de partida), ahora tire del cable rápida y fuertemente. **No enrolle el cordón de arranque alrededor de su mano.**
7. Repita la operación mientras tira del cable hasta que arranque el motor.

8. Deje calentar el motor durante varios minutos con el acelerador del motor en velocidad de ralentí (mínimo).



## Para poner en marcha el producto (MS 610)



**ADVERTENCIA:** SIEMPRE coloque el interruptor de encendido en la posición OFF (Apagado) antes de conectarlo a una fuente eléctrica. El motor eléctrico funcionará si el interruptor de encendido se encuentra en la posición ON (Encendido).

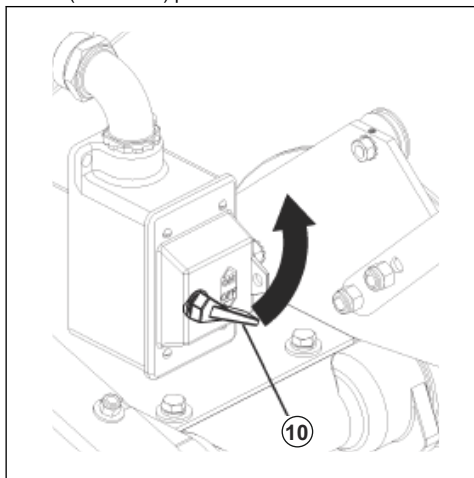


**ADVERTENCIA:** Mantenga las manos alejadas de las hojas giratorias durante su funcionamiento. Lea todas las advertencias de seguridad antes de hacer funcionar la máquina.

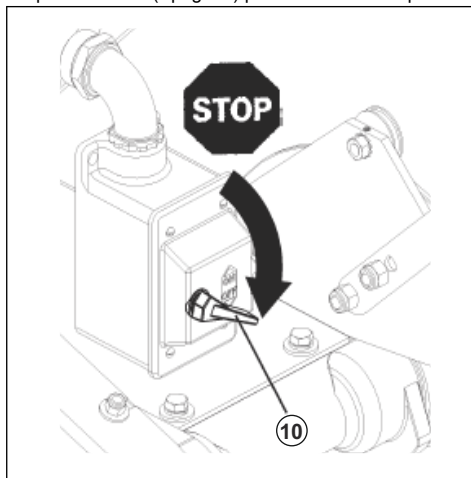


**AVISO:** No mueva la sierra hacia los lados o fuera de la zona de trabajo con la cuchilla instalada y en funcionamiento.

1. Gire el interruptor de encendido (10) a la posición ON (Encendido) para arrancar el motor eléctrico.



1. Coloque el interruptor de encendido (10) a la posición OFF (Apagado) para detener la máquina.



2. Abra la válvula de agua completamente y verifique el flujo de agua antes de cortar.

### Para detener el producto (MS 610 G)

1. Gire la perilla del acelerador del motor a la posición de ralentí bajo.
2. Gire el interruptor de encendido del motor a la posición OFF (Apagado).
3. Asegúrese de que el motor esté apagado.
4. Asegúrese de que el disco de corte pueda girar con libertad hasta que se haya detenido por completo.

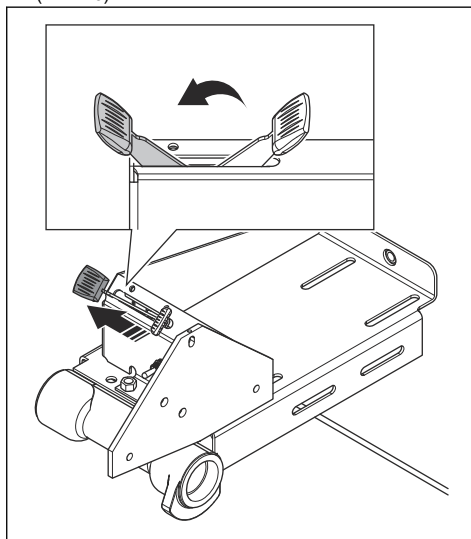
### Para detener el producto (MS 610)



**ADVERTENCIA:** Detenga la máquina y espere que el disco se detenga antes de retirar el material de la máquina.

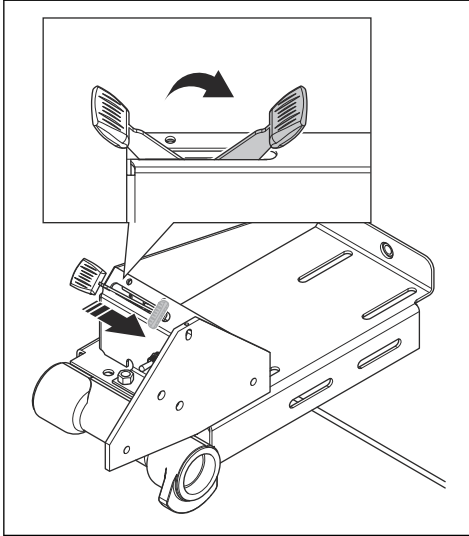
### Para cortar con el acelerador (MS 610 G)

1. Deje calentar el motor durante varios minutos con el acelerador del motor en velocidad de ralentí (mínimo).





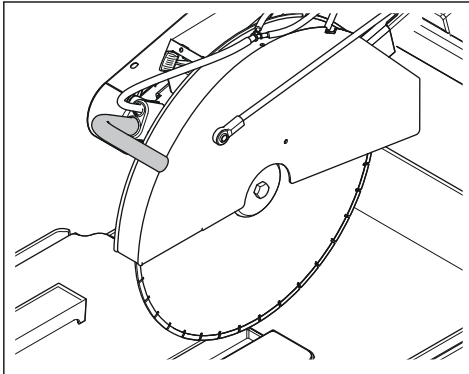
2. Abra el acelerador del motor completamente.



3. Comience a cortar; todo corte se realiza en la aceleración máxima.

### Para cortar con el mango del brazo de corte

1. Sujete el mango y baje la cuchilla para cortar la pieza de trabajo.

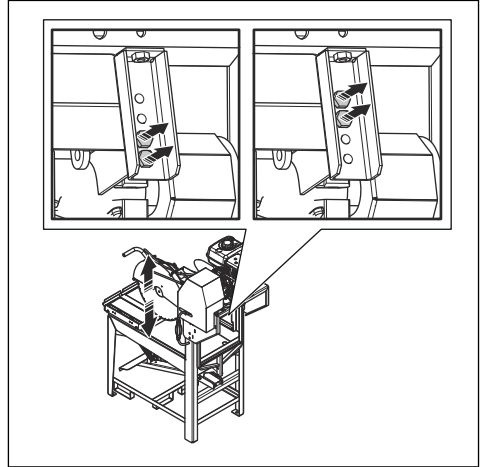


2. Suelte la fuerza del mango para detener el corte.

### Para cortar con cortes de inmersión (MS 610 G)

El brazo de corte tiene un resorte y es ajustable hacia arriba y hacia abajo.

1. Retire los tornillos y mueva el soporte de tope de profundidad según el tamaño del disco. Apriete los tornillos nuevamente. Ajuste el tope de profundidad con el tornillo de fijación.



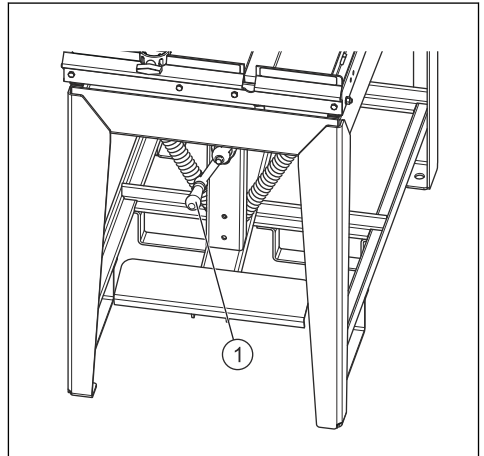
2. Si utiliza el pedal o la empuñadura en el brazo de corte, el disco de corte se puede empujar hacia abajo y realizar un corte de inmersión en la pieza de trabajo.

### Para cortar con cortes de inmersión (MS 610)

1. Utilice el pedal o la empuñadura en el brazo de corte para empujar el disco de corte hacia abajo y realizar un corte de inmersión en la pieza de trabajo

### Para cortar con cabezales de corte fijos

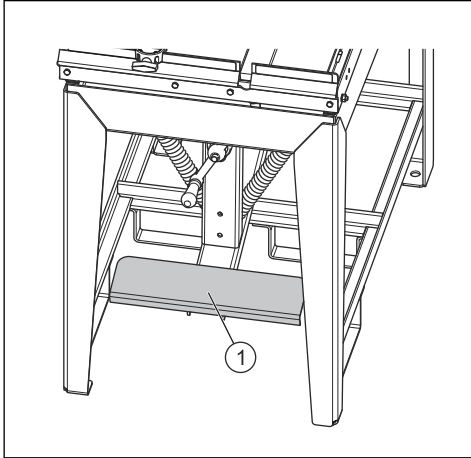
1. Coloque el cabezal de corte a la altura deseada girando el mango de ajuste de altura (1).



- Deje de girar el mango cuando alcance la altura deseada.
- Empiece a cortar.

## Para cortar con el pedal

- Coloque el carro transportador frente a la sierra.
- Coloque la pieza de trabajo en el carro transportador.
- Presione el pedal (1) para bajar la cuchilla y comenzar a cortar.



- Suelte el pedal para devolver la cuchilla a la posición superior.

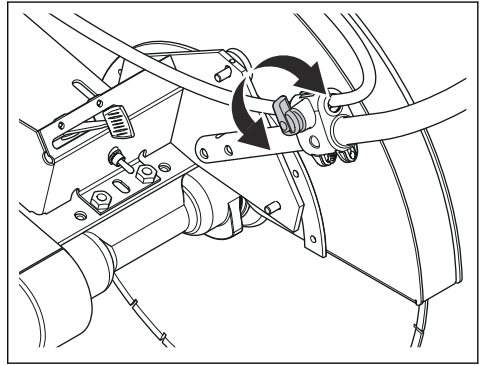
## Para reducir el polvo y enfriar la cuchilla

El circuito de sistema de agua se utiliza para reducir la cantidad de polvo y enfriar el disco. El agua de la bomba de agua se distribuye al disco.

**Tenga en cuenta:** La bomba de agua tiene una válvula de encendido/apagado para controlar y ajustar el flujo de agua.

Ajuste el flujo de agua para recolectar el polvo de corte. El volumen de agua necesaria varía según el tipo de trabajo realizado.

- La válvula en el depósito de agua ajusta el flujo de agua hacia el canal en el carro transportador.
- La válvula en la protección de la cuchilla ajusta el flujo de la bomba de agua a la cuchilla.



## Para limpiar el polvo

El producto está equipado con un kit de descarga baja de agua que ofrece la eliminación máxima del polvo.

- Utilice discos de corte húmedo para una limpieza óptima del polvo.
- Ajuste el flujo de agua utilizando la llave para recolectar el polvo de corte.

El volumen de agua necesaria varía según el tipo de trabajo realizado.

Si las mangueras de agua se sueltan de sus fuentes de suministro, esto indica que el producto está conectado a una presión del agua demasiado alta.

# Mantenimiento

## Introducción



**ADVERTENCIA:** Solo los reparadores autorizados pueden llevar a cabo todo tipo de reparaciones. El usuario solo debe llevar a cabo el trabajo de mantenimiento y el servicio descrito en este manual del usuario.



**ADVERTENCIA:** Para evitar el encendido accidental, debe seguir los pasos descritos en esta sección con el motor apagado y el cable de alimentación desconectado del

enchufe, si no se indica lo contrario. La vida útil del producto se puede reducir y el riesgo de accidentes puede aumentar si el mantenimiento del producto no se realiza correctamente y si el servicio o las reparaciones no se llevan a cabo de forma profesional. Si necesita más información, comuníquese con su taller de servicio más cercano.

- Siempre desconecte el cable de alimentación antes de realizar el servicio.

- Consulte el manual del usuario del fabricante de motor para obtener más información sobre el mantenimiento del motor.
- Permita que su distribuidor de Husqvarna revise regularmente el producto y realice los ajustes y las reparaciones necesarios.
- Mantenga todas las piezas en buen estado de funcionamiento y asegúrese de que todos los componentes fijos estén ajustados correctamente. Reemplace todas las etiquetas gastadas o dañadas.

## Mantenimiento diario

- Compruebe el aceite del motor.



**AVISO:** Consulte el manual del usuario del fabricante de motor para lograr un buen cuidado y mantenimiento.

- Compruebe que el equipo de seguridad del producto no esté dañado. Consulte la sección *Dispositivos de seguridad en el producto en la página 55* para obtener más información.
- Limpie la parte exterior del producto. No utilice arandelas de alta presión para limpiar la sierra.
- No utilice agua para limpiar el motor y el cuadro eléctrico.
- Abra la protección de la cuchilla. Limpie tanto el interior como el exterior y cierre la protección de la cuchilla.
- Afloje tanto la bandeja delantera como la bandeja trasera de recolección del carro transportador, y límpielas.
- Afloje la bandeja de recolección de agua y límpiela.

## Para realizar el mantenimiento de la bomba de agua



**ADVERTENCIA:** Nunca limpie el motor y las piezas eléctricas con agua.

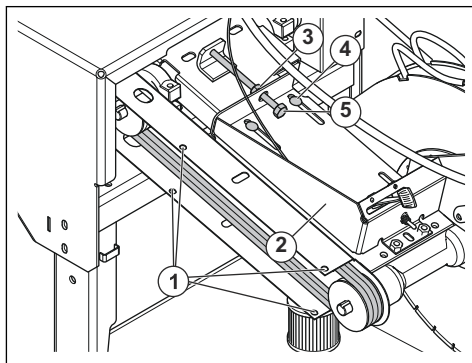
1. Deje correr el sistema de agua durante un corto período de tiempo a fin de evitar que las mangueras se bloqueen con residuos.

## Para tensar la correa del eje del disco (MS 610 G)



**AVISO:** Cuando reemplace la correa del eje del disco, asegúrese de hacerlo con una correa recomendada por Husqvarna.

1. Retire las tuercas (1) y la cubierta de la correa de transmisión.



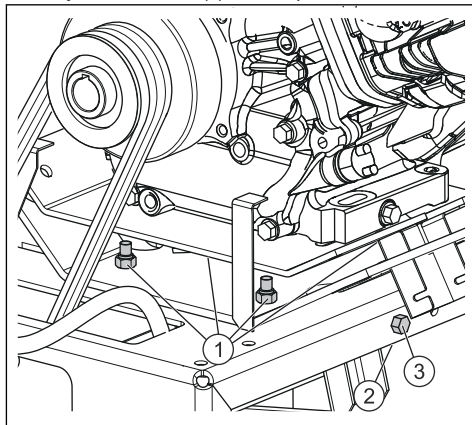
2. Afloje los pernos (4) que sujetan la parte delantera del conjunto del cabezal de corte (2).
3. Afloje la tuerca del tensor de la correa (3).
4. Ajuste el tensor de la correa hasta que se alcance la tensión de correa adecuada (5).
5. Asegúrese de que la correa esté correctamente tensada (40 Hz).
6. Apriete la tuerca (3) del tensor de la correa (5).
7. Apriete los pernos (4) del conjunto de cabezal de corte (2) para bloquear y asegurar la tensión de la correa.

## Para tensar la correa del motor (MS 610 G)



**AVISO:** Cuando cambie la correa del motor, asegúrese de hacerlo con una correa recomendada por Husqvarna.

1. Afloje los 4 tornillos (1), no los quite.



2. Afloje la tuerca del tensor de la correa (2).
3. Ajuste el tensor de la correa hasta que se alcance la tensión de correa adecuada (3).

4. Asegúrese de que la correa esté correctamente tensada (40 Hz).
5. Apriete la tuerca (2) del tensor de la correa (3).
6. Apriete los 4 tornillos (1).

### Para tensar la correa del motor (MS 610)

Verifique la correa en V cuando la unidad sea nueva y asegúrese de que la correa esté correctamente tensada (40 Hz). La sierra cuenta con una correa en V con una tensión demasiado alta. La correa está correctamente

tensada en la fábrica, pero después de usarla unas cuantas horas, la correa se estira y se debe tensar nuevamente.

1. Afloje los 4 tornillos de casquete (1) que fijan el motor.
2. Apriete el perno de tensión de la correa (2) en la parte trasera de la sierra hasta que la correa tenga la tensión correcta (40 Hz)
3. Apriete los 4 tornillos de casquete que fijan el motor.

## Solución de problemas

### Solución de problemas

en el manual de usuario. Un taller de servicio autorizado se debe encargar de realizar trabajos de mayor alcance.



**ADVERTENCIA:** El usuario solo debe realizar el trabajo de mantenimiento descrito

Problema (MS 610)	Solución
El motor se detiene durante el funcionamiento.	1. Revise todas las conexiones eléctricas. Si están dañadas, comuníquese con un electricista calificado.
	2. El interruptor de sobrecarga manual se ha desconectado: Los motores monofásicos de 60 Hz tienen un botón de restablecimiento de sobrecarga manual. Si el motor se detiene debido a una sobrecarga eléctrica y el botón de restablecimiento de sobrecarga se desconecta, coloque el interruptor de encendido del motor en la posición OFF (Apagado). Deje que el motor se enfríe durante 5 a 10 minutos y, luego, presione el botón de restablecimiento. Un clic indica que el motor se reestableció y está listo para su funcionamiento. Vuelva a arrancar el motor colocando el interruptor de encendido en la posición ON (Encendido).

## Transporte, almacenamiento y eliminación de residuos

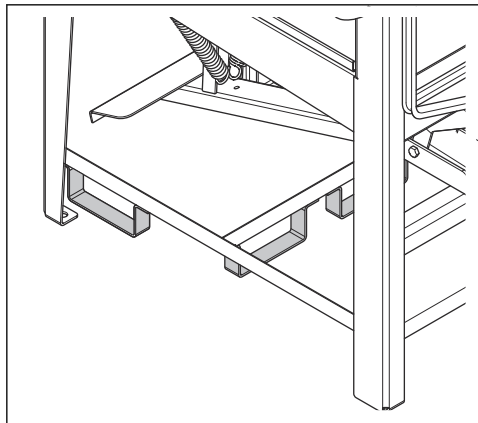
### Transporte



**AVISO:** Asegure el producto durante el transporte para evitar daños y accidentes de transporte.

- Quite la cuchilla antes de transportar el producto.
- Revise las cuchillas nuevas para ver si hay daños de transporte.
- Transporte el producto y el combustible de forma que no haya riesgo de fuga. Asegúrese de que los gases no puedan entrar en contacto con chispas o llamas abiertas, por ejemplo, de máquinas eléctricas, motores eléctricos, relevadores o interruptores eléctricos, o calderas.
- Tenga cuidado cuando levante el producto. Está manejando piezas pesadas, lo que implica el riesgo de lesiones por aplastamiento u otro tipo de lesiones.
- Detenga el motor antes de levantar o mover la máquina. Vacíe la bandeja de agua a través del orificio en la parte inferior de la bandeja de agua.

- Levante el producto con la horquilla de elevación utilizando los soportes para elevación.



## Almacenamiento

- Quite la cuchilla antes de almacenar el producto.
- Inspeccione las cuchillas en busca de daños por almacenamiento.
- Guarde la cuchilla en un lugar seco.
- Guarde el producto y el combustible de forma que no haya riesgo de fugas. Asegúrese de que los gases no puedan entrar en contacto con chispas o llamas abiertas, por ejemplo, de máquinas eléctricas, motores eléctricos, relevadores o interruptores eléctricos, o calderas.
- Cuando guarde el producto por períodos prolongados, el depósito de combustible debe vaciarse. Póngase en contacto con su estación local

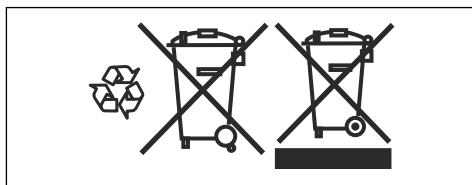
de gas para averiguar dónde puede deshacerse del exceso de combustible.

- Detenga el motor antes de levantar o mover la máquina. Vacíe la bandeja de agua a través del orificio en la parte inferior de la bandeja de agua.
- Asegure el equipo.
- Guarde el producto en un área que se pueda cerrar para que esté fuera del alcance de niños y personas no autorizadas.

## Eliminación

Los símbolos en la máquina o en su embalaje indican que este producto no se puede tratar como residuo doméstico. Debe enviarse a una estación de reciclaje apropiada para la recuperación del equipo eléctrico y electrónico.

Si se asegura de mantener correctamente esta máquina, puede contribuir a contrarrestar los posibles efectos negativos en el medioambiente y en las personas que, de lo contrario, podrían resultar afectadas debido a la gestión incorrecta de los residuos de este producto. Para obtener información más detallada sobre el reciclaje de este producto, comuníquese con su municipalidad, servicio de recolección de residuos domésticos o con la tienda donde compró el producto.



## Datos técnicos

### Datos técnicos (MS 610 G)

Tipo de producto, modelo	MS 610 G
Motor*	Kohler CH440
Potencia, Hp/kW**	14/10,4
Velocidad, RPM	3600
Capacidad del depósito de aceite, cuarto de EE. UU./litro	1,4/1,3
Capacidad del depósito de combustible, cuarto/litro	7,8/7,3
Peso, lb/kg	485.8/220.3
Tamaño (LxAxH), pulg./mm	58,2x27,2x75,6/1480x690x1920

Tipo de producto, modelo	MS 610 G
Para obtener más información y en caso de consultas sobre este motor específico, visite el sitio <a href="http://www.kohlerengines.com">www.kohlerengines.com</a> .	
** Como lo especifica el fabricante del motor. La calificación indicada de potencia de los motores corresponde a la salida de potencia neta promedio (en la RPM especificada) de un motor de producción típico para el modelo de motor medido según SAE J1349. Los motores de producción masiva podrían diferir de este valor. La salida de potencia real para el motor instalado en el producto final depende de la velocidad de funcionamiento, las condiciones medioambientales y otras variables	

Refrigeración por agua	
Bomba de agua Qmax, g/h/l/h	300/1140
Capacidad del depósito de agua, gal/l	5,7/26

Equipo de corte	14"	20"	24"
Máx. velocidad del eje, RPM	3100	3100	3100
Tamaño de la cuchilla: máx., pulg./mm	14/355	20/508	24/609
Longitud de corte: máx., pulg./mm	5/127	8/203	10/254
Longitud de corte - máx., pulgadas/milímetros	15/380	15/380	15/380
Tamaño del eje giratorio, pulgadas/milímetros	1/25,4	1/25,4	1/25,4

## Datos técnicos (MS 610)

Tipo de producto, modelo	Eléctrico MS 610	Eléctrico MS 610	Eléctrico MS 610	Eléctrico MS 610
Motor	Baldor	Baldor	Baldor	Baldor
Potencia, Hp	5	3	5	7,5
Capacidad máxima de protección del disco, pulgadas/milímetros	14/350	24/609	24/609	24/609
Eje del disco, rpm	3090	2350	2350	2350
Profundidad máxima de corte, pulgadas/milímetros	5.0/127	10.0/254		

Tipo de producto, modelo	Eléctrico MS 610	Eléctrico MS 610	Eléctrico MS 610	Eléctrico MS 610
Tamaño del eje giratorio del disco, pulgadas/milímetros	1.00/25.4			
Protector de la cuchilla	Acero en una sola pieza, diseño Sta-Level TM, capacidad máxima de 24" (609 mm)			
Peso, lb/kg	333/149	333/149	333/149	368/165
Tamaño (LxAxH), pulg./mm	47,5 x 24,06 x 58,82/ 107 x 611 x 1494	47,5 x 24,06 x 58,82/ 107 x 611 x 1494	47,5 x 24,06 x 58,82/ 107 x 611 x 1494	47,5 x 24,06 x 58,82/ 107 x 611 x 1494

<b>Refrigeración por agua</b>	
Bomba de agua Qmax, g/h/l/h	300/1140
Capacidad de la bandeja de agua, gal/l	13,1/49,6

Original instructions  
Instructions d'origine  
Instrucciones originales

1158948-49



2018-06-25