



 **Husqvarna**[®]

S 36 Propane / T 8600 Propane

EN	Operator's manual	2-14
ES-MX	Manual del usuario	15-28
FR-CA	Manuel d'utilisation	29-42

Contents

INTRODUCTION.....	2	TROUBLESHOOTING.....	11
SAFETY.....	5	TRANSPORTATION AND STORAGE.....	11
INSTALLATION.....	7	TECHNICAL DATA.....	12
OPERATION.....	7	SERVICE.....	13
MAINTENANCE.....	9	WARRANTY.....	14

INTRODUCTION

Product description

Dear Customer,

Thank you for choosing Husqvarna as your supplier.

We hope that this product powered by Aztec/Kawasaki and powered by Aztec/Honda will be to your satisfaction and meet your expectations.

Please read the safety regulations and the complete operator's manual carefully before using the dust extractor. This manual is only for the dust extractor S 36 Propane / T 8600 Propane. Husqvarna will not be held

responsible if the dust extractor is used for other applications or has been used in ways other than those outlined in this operator's manual.

Make sure that you read and understand the instructions for the main product to ensure that you know what personal equipment to wear, what safety equipment to use and how to work in a safe mode.

All spare parts used for the dust extractor S 36 Propane / T 8600 Propane must be those specified by Husqvarna. Spare parts for the engine are specified by the engine manufacturer.



WARNING

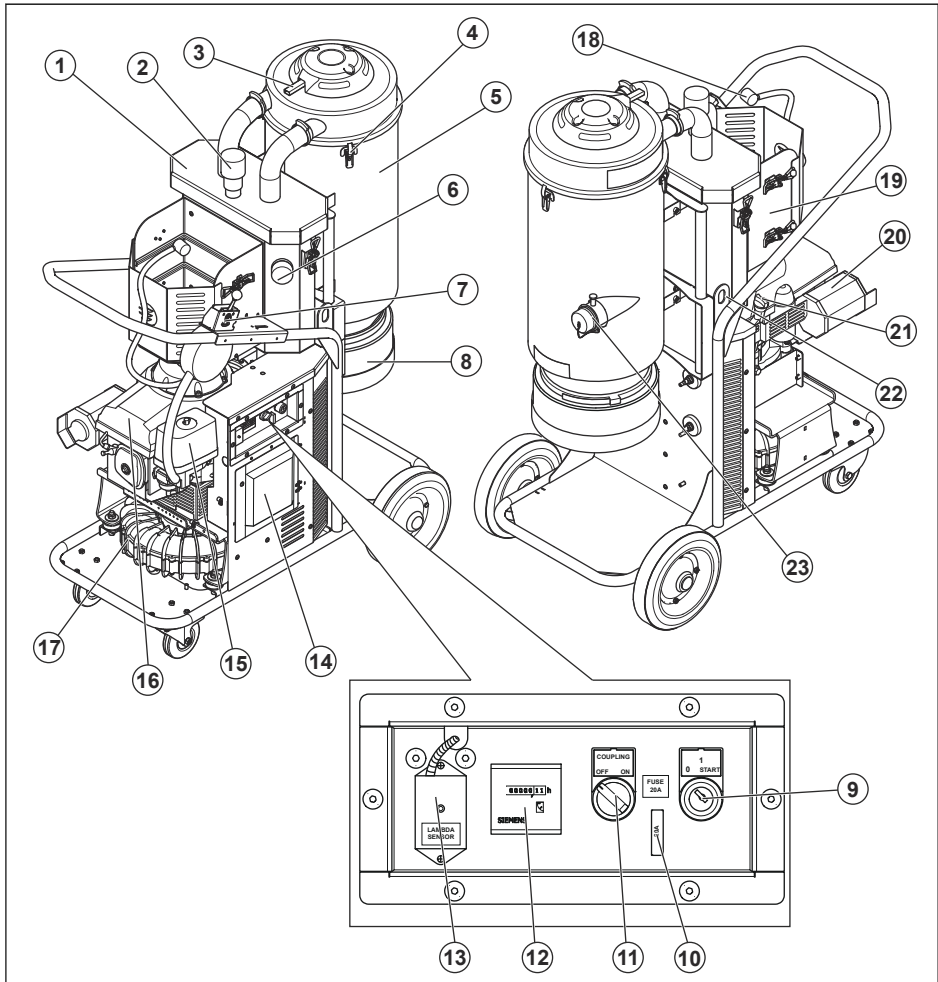
The engine exhaust from this product contains chemicals known to the State of California to cause cancer, birth defects or other reproductive harm.

Intended use

The dust extractor S 36 Propane / T 8600 Propane is intended for commercial use.

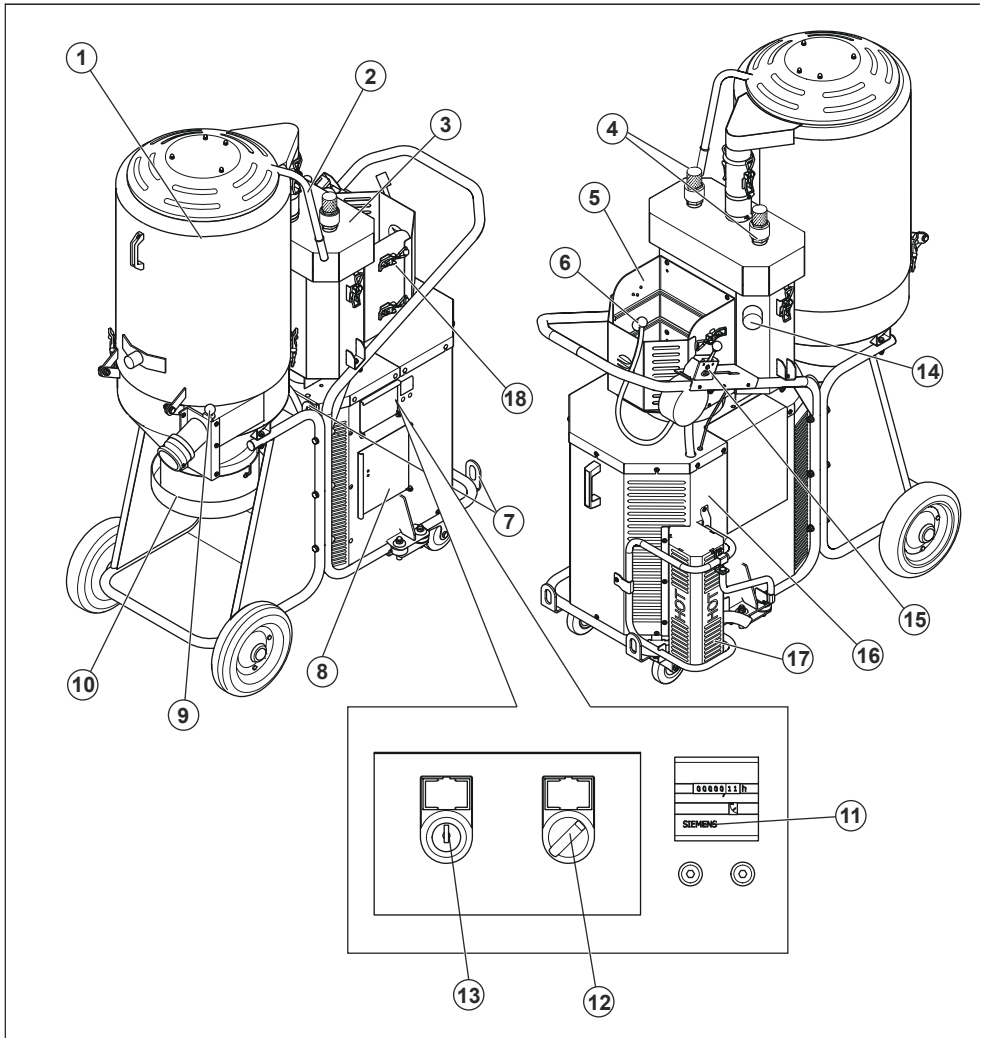
The product is designed for vacuuming and separating dry, non-combustible dust with an explosion limit value of $>0.1\text{mg/m}^3$.

Product overview S 36



- | | |
|---------------------------|-------------------------------|
| 1. HEPA filter | 13. Emission sensor indicator |
| 2. Pressure release valve | 14. Battery hatch |
| 3. Jet Pulse handle | 15. Engine air filter |
| 4. Toggle fastener | 16. Engine |
| 5. Pre-filter | 17. Vacuum fan |
| 6. Manometer | 18. Propane connection |
| 7. Throttle adjustment | 19. Propane tank holder |
| 8. LONGOPAC connection | 20. Muffler |
| 9. On/Off | 21. Engine oil refill |
| 10. Fuse | 22. Tie down lug 2x |
| 11. Coupling | 23. Inlet plug |
| 12. Hourmeter | |

Product overview T 8600



1. Pre-filter
2. Jet Pulse handle
3. HEPA filter
4. Pressure release valve
5. Propane tank holder
6. Propane connection
7. Tie down lug 4X
8. Battery hatch
9. Inlet valve
10. LONGOPAC connection

11. Hourmeter
12. Coupling
13. On/Off
14. Manometer
15. Throttle adjustment
16. Engine oil refill hatch
17. Muffler
18. Toggle fastener

Symbols on the product

Risk of dust dispersion – Use personal safety equipment.



Please read the operator's manual carefully and make sure you understand the instructions before using the product.



Unhealthy dust can be spread during filter change. Accordingly, the user should wear protective glasses, protective gloves, and a breathing mask conforming to protection class FFP3.



Throttle function, RPM adjustment.



WARNING! Dust can cause injuries if inhaled. Use an approved breathing mask. Avoid inhaling exhaust fumes. Always provide for good ventilation.



Propane is highly flammable and explosive.



Do not use the tie down lugs for lifting the machine, since they are not balanced for lifting.

SAFETY

Safety definitions

Warnings, cautions and notes are used to point out specially important parts of the operator's manual.



WARNING: Used if there is a risk of injury or death for the operator or bystanders if the instructions in the manual are not obeyed.



CAUTION: Used if there is a risk of damage to the product and/or the attachment, other materials or the adjacent area if the instructions in the manual are not obeyed.

Note: Used to give more information that is necessary in a given situation.

General safety instructions

- Always exercise care and use your common sense. If you get into a situation where you feel unsafe, stop and seek expert advice. Contact your dealer, service agent or an experienced user. Do not attempt any task that you feel unsure of!
- Follow all information posted on the product and the LPG (Liquefied Petroleum Gas) tank. Never allow anyone untrained to operate this dust extractor and who has not read or cannot not understand the given instructions.

- Please read the operator's manual carefully and make sure you understand the instructions before using the product. Save all warnings and instructions for future reference.
- Keep in mind that it is you, the operator that is responsible for not exposing people or their property to accidents or hazards.
- The dust extractor must be kept clean. Signs and stickers must be fully legible.

Safety instructions for operation



WARNING: Cutting and grinding, especially when DRY operating, generates dust that comes from the material being cut, which frequently contains silica. Silica is a basic component of sand, quartz, brick clay, granite and numerous other minerals and rocks. Exposure to an excessive amount of such dust can cause:

- Respiratory disease (affecting your ability to breathe), including chronic bronchitis, silicosis and pulmonary fibrosis from exposure to silica. These diseases may be fatal!
- Skin irritation and rash.
- Cancer according to National Toxicology Program and International Agency for Research on Cancer.

Take precautionary steps:

- Avoid inhalation of and skin contact with dust, mist and fumes.
- Wear and ensure that all bystanders wear appropriate respiratory protection such as dust masks designed to filter out microscopic particles. (See OSHA 29 CFR Part 1910.1200)
- Wet cut when feasible, to minimize dust.



WARNING: Do not operate this product in an environment with a potential ignition source. No smoking, sparks or flames are allowed near the product, engine or LPG tank.



WARNING: If you smell gas:

- Immediately stop the unit.
- Open windows.
- Check for leaks.
- Don't touch electrical switches.
- Extinguish any open flames.
- Contact a repair professional.



WARNING: Never change or alter the propane control equipment. It is precisely tuned to power machinery with minimal levels of carbon monoxide. Altering the control equipment could cause dangerous levels of engine emissions.



WARNING: The S 36 Propane / T 8600 Propane is shipped with a propane tank equipped with Overfill Protection Device (OPD). If you have an older LPG cylinder that is overfilled, always vent outdoors, away from closed areas where gas may accumulate, and away from any fire, flame or spark-producing device. Use a screwdriver to vent excess propane, which escapes as a white mist. Propane will vent clearly when correct tank level has been achieved.



WARNING: All propane powered dust extractors are designed specially for use with a 20 lb (5 gallon) vertical vapor withdrawal propane cylinder. Use of a different configuration of liquid withdrawal cylinder is dangerous and could cause fire or explosion, and will void the warranty.



WARNING: The exhaust fumes from the engine are hot and may contain sparks which can start a fire. Always keep firefighting equipment nearby. Never start

the product indoors or near combustible material!



WARNING: Running an engine in a confined or badly ventilated area can result in death due to asphyxiation or carbon monoxide poisoning. Take precautions against exposure to carbon monoxide (CO) emissions. Wear CO detector badges when operating in confined areas. Only operate outdoor or in well ventilated areas. Buildings must be provided with:

- Natural ventilation or a continuous mechanical ventilation that removes the products of combustion to the outdoors of not less than 300 CFM for each 10,000 BTUH or fraction thereof, based on a maximum of one-quarter air exchange per hour for the net building volume.



WARNING: Long-term exposure to noise can result in permanent hearing impairment. Always use approved hearing protection. Listen for warning signals or shouts when you are wearing hearing protection. Always remove your hearing protection as soon as the engine stops.



WARNING: The product can be a dangerous tool if used incorrectly or carelessly, which can cause serious or fatal injury to the operator or others.



WARNING: Never allow children or other persons not trained in the use of the product to use or service it. Never allow anyone else to use the product without first ensuring that they have read and understood the contents of the operator's manual.



WARNING: Never use the product if you are fatigued, while under the influence of alcohol or drugs, medication or anything that could affect your vision, alertness, coordination or judgment.



WARNING: Unauthorized modifications and/or accessories may lead to serious injury or death to the user or others.



WARNING: Do not modify this product or use it if it appears to have been modified by others.



WARNING: Never use a product that is faulty. Carry out the safety checks, maintenance and service instructions described in this manual. Some maintenance and service measures must be carried out by trained and qualified specialists. See instructions in section *MAINTENANCE* on page 9.



WARNING: Make sure the assembly area is firm, so the dust extractor does not tip over. Risk of personal and material injury.



WARNING: Always use genuine accessories.



CAUTION: When the LPG tank is attached to the machine and not running, the tank valve must be in the CLOSED position.

INSTALLATION

General

When unpacking the product, check that the following accessories are included:

- The hose with end fittings
- Steel tube
- Floor Nozzle

If any of the above-mentioned parts are missing, please contact your local distributor or our sales representative.

For models that do not already have the front casters assembled due to packaging limitations:

- Assemble the front casters using the bolt or nut and washer included in the package depending on your application.

Please dispose of packaging materials and used product components in an environmentally safe way according to local disposal regulations. Always remember to recycle.

OPERATION

Introduction

Dust-laden air is sucked through the inlet valve at high speed via the suction hose. The cyclone slows down the air and separates coarse dust particles through centrifugal force and gravity. The double filter system then separates the air and finer particles. The dust extractor is designed for filter cleaning by reverse air pulse.

The separated dust accumulates in the cyclone until the product is switched off, when it drops through the bottom flap into the plastic bag. The filter cleaning process is not completed before it is clear that the dust inside the tank has fallen into the collection bag. In some extreme cases the adhesive ability of the dust must be broken down manually. This can be done by hitting the dust through the bag or tapping the pre-filter housing.

monoxide. Exhaust fumes are known to cause respiratory problems, cancer, birth defects or other reproductive harm. Carbon monoxide is colorless and tasteless and is always present in exhaust fumes. The onset of carbon monoxide poisoning is distinguished by a slight dizziness which may not be recognized by the victim. A person may collapse and lapse into unconsciousness with no warning if the concentration of carbon monoxide is sufficiently high. Since carbon monoxide is colorless and odorless, its presence cannot be detected. Any time exhaust odors are noticed, carbon monoxide is present.

Before use

Before use, the operator must be trained in the handling of the dust extractor and the hazardous dust.



WARNING: Before starting the engine, check the service table for daily maintenance.



WARNING: While the engine is running, the exhaust contains chemicals such as unburned hydrocarbons and carbon

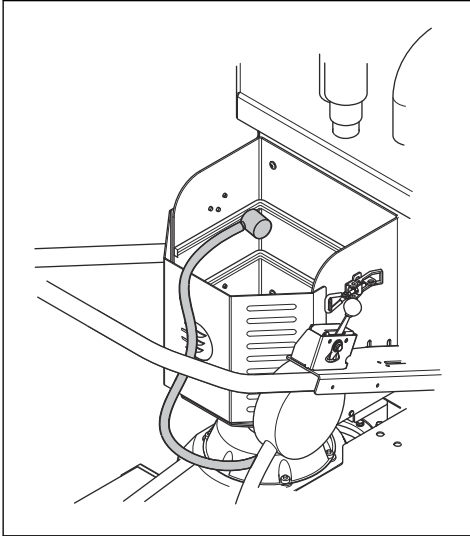
To connect the battery

- Make sure that the wires are firmly connected to the correct terminals, red (+) first, black (-) second. Disconnect the battery in reverse order.
- Make sure that the bracket that holds the battery in place is correctly assembled, so that the battery can't move during operation.

To connect the propane tank

1. Make sure that the tank is firmly held in place by the locks and holder plate. It should not be able to move when correctly assembled.

2. Connect the hose from the dust extractor to the propane tank.



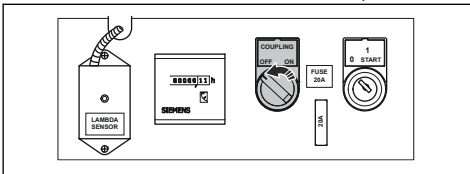
3. Make sure the couplers are in line and tightly screwed together by hand. Never complete the connection of the tank to the machine by using a tool. If this is not done properly, fuel will not pass through to the regulator.
4. Do a soap test by pressurizing all LPG lines. See *To examine the propane/LPG tank and lines on page 14.*

To start and stop

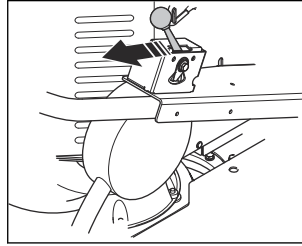


CAUTION: Before starting the dust extractor, make sure that the inlet valve is open and that the clutch is disengaged.

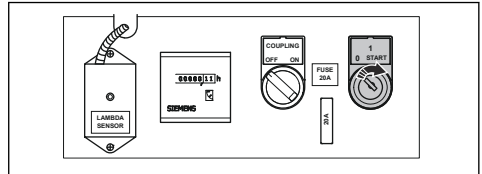
1. Open the propane tank valve by turning counterclockwise.
2. Make sure the clutch switch is in "OFF" position.



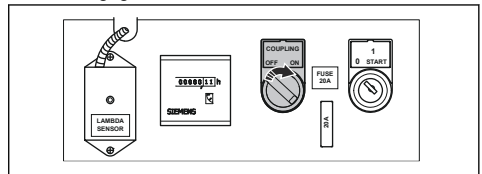
3. Make sure that the throttle handle is on lowest speed.



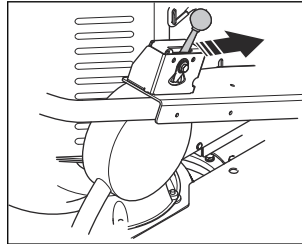
4. Start the engine with the key switch, turn and hold the key to "START" and release when the engine is running. The key will now point at "1".



5. When the engine has warmed up and is running at idle, engage the clutch. Turn the switch to "ON".



6. Dust-laden air is then sucked through the inlet valve via the suction hose.
7. Push the throttle handle to increase the RPM.



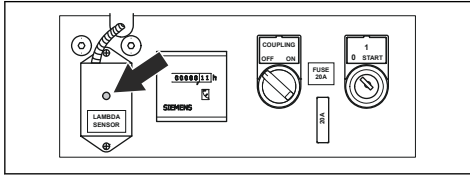
8. To stop the dust extractor, turn the gas off at the service valve and allow propane in the fuel lines to be consumed. Repeat the steps in reverse order.

To restart the product when the emission sensor indicator is lit



WARNING: The dust extractor will shut down when the CO emission levels are too high in the working area.

1. Check that the emission sensor indicator on the instrument panel is lit.



2. Shut off the gas valve on the tank.
3. Turn the key switch to "0"
4. Turn the "COUPLING" to "OFF".
5. Evacuate the area and let it ventilate.
6. Make sure that the indicator is not lit and then restart the dust extractor.

Muffler



WARNING: Never use a product without a muffler, or with a faulty muffler. A damaged muffler may substantially increase the noise level and the fire hazard. Keep firefighting equipment nearby.

The muffler gets very hot during and after use. This also applies during idling. Be aware of the fire hazard, especially when working near flammable substances and/or vapours. The muffler is designed to keep noise

levels to a minimum and to direct exhaust fumes away from the user.

Check regularly that the muffler is complete and secured correctly.

To clean the filter



CAUTION: If suction remains poor, the pre-filter needs to be replaced. If suction still remains poor afterwards, the HEPA filters need to be replaced. See instructions in *To change the HEPA filter on page 10.*

The filter must be cleaned from time to time. This must be done before changing the plastic bag collection system and should also be done when work is completed or when there is poor suction.

1. While running the dust extractor, seal the inlet using the inlet plug or the inlet valve (T 8600 Propane).
2. Let the dust extractor build up vacuum for 5 seconds, then quickly push and hold down the Jet Pulse handle for 5 seconds.
3. Repeat step 2 five times. It is important to let the dust extractor rebuild the vacuum in between every repetition.
4. If suction remains poor, the filter should be replaced. Only replace plastic bag after cleaning the filter.

MAINTENANCE

Maintenance schedule S 36 Propane / T 8600 Propane

Note: See engine manufacturer manual for service information regarding the engine.

Operation	Daily	8 Hrs.	50 hrs.
Check & add engine oil	X		
Check for loose or lost fasteners	X		
Check for oil leakage	X		
Inspect fuel hose and connections	X		
Check engine dust filter	X		
Clean engine dust filter. See Note 1	X		
Inspect throttle & wire	X		
Change engine oil. See Note 2		X	X
Change engine oil filter. See Note 3		X	
Inspect battery and battery connections			X
Inspect magnetic clutch			X

Operation	Daily	8 Hrs.	50 hrs.
Note 1: Service more frequently when used in dusty areas.			
Note 2: Change engine oil after first 8 hours, then every 50 hours.			
Note 3: Change engine oil filter after first 8 hours, then follow maintenance instructions according to engine manufacturer manual.			

Before you change the filter

- Clean the filter according to instructions in section *To clean the filter on page 9*.
- Turn off the engine and wait for the fan to completely stop before opening the dust extractor to change filters. The exhaust will get very hot after running the engine for just a short time.

To change the HEPA filter



CAUTION: Do not clean HEPA filters. Trying to clean a HEPA filter will destroy it. When installing the replacement filter, make sure to not touch the inside of the filter. Any kind of force/damage on the inside of filter media will destroy the new filter.

Note: Recommended intervals for filter change: Pre-filter every 6 months and HEPA filters every 12 months.

1. Loosen the latches on the filter cover cap.
2. Carefully lift the filter into a clean plastic bag, this bag must be properly disposed.
3. Insert a new filter in reverse order.

To change the pre-filter, T 8600 Propane



WARNING: Switch off the dust extractor.

1. Loosen the two latches between the tank and the lower cyclone.
2. Loosen the two latches at the hose connection between the tank and the HEPA filter cover.
3. Rotate the tank forwards.
4. Rotate the filter plate counterclockwise 10 degrees and carefully turn the filter and holder upside down.
5. Place a plastic bag over the filter unit.
6. Lift the filter carefully and pinch up the bag by hand and then tie the bag up. This bag must be properly disposed of.

7. Insert a new complete filter pack in reverse order. Only original filters may be used.

To change the pre-filter, S 36 Propane



CAUTION: When you remove the pre-filter in order to clean it, use only low pressure water from the inside through to the out. Hitting the filter with force, high pressure water or use of compressed air will destroy the filter. The filter must be 100% dry before returning into the housing.

1. Loosen the 3 clamps and remove the top.
2. Take the bag from the new filter.
3. Lift out the filter and place it gently in a plastic bag. This bag must be properly disposed.
4. Insert a new filter.

To assemble a new LONGOPAC bag



CAUTION: All dust extractors can be used with original Husqvarna dust bags for single use. Also all models can be fitted with the LONGOPAC system. Only change LONGOPAC or regular bags after the filter cleaning cycle has been completed.

The dust extractors are mainly equipped with a LONGOPAC system for effective dust storage or a regular plastic bag system depending on model. LONGOPAC is a 72 ft (22 m) long plastic tube that will be divided into plastic bags using the zip ties attached with the product.

1. Release the belt holding the last bag.
2. Remove the holder, put in a new LONGOPAC bag and pull out the inner end upwards.
3. Assemble the holder onto the dust extractor and strap the opening facing upwards to the belt.
4. Pull down the outside end and close it using a zip tie.

TROUBLESHOOTING

Troubleshooting

The dust extractor S 36 Propane / T 8600 Propane is designed and manufactured for severe environments and tasks, but the user must note that the product must be protected from knocks and blows. Filter, seals,

attachments, and connections are carefully adapted and selected with regard to the operator's work environment. Therefore, the operator and service personnel must treat the dust extractor with care in order for it to work correctly for many years.

Issue	Cause	Solution
Engine doesn't start	No gas	Replace gas tank, check fuel hose and regulator
	No spark	Check engine service manual
	No battery power	Replace with a fully charged battery
	Switch defective	Replace
	Low oil sensor	Check oil level and refill if necessary
	Emissions sensor	Ventilate area and wait until red light on sensor is off
	No cranking	Check fuse
Fan impeller not engaging	Worn/broken clutch	Check and change fuse if necessary
Engine and fan runs but there is no suction	Hose not connected	Connect hose
	Hose clogged/blocked	Clean hose
	No plastic bag	Install plastic bag
Engine and fan runs but suction is poor	Damaged hose	Replace hose
	Filter clogged	Clean filter/Replace filter
	Loose top cover	Adjust
	Dirt in the flap	Clean the flap
Dust blown from motor	Wrongly assembled or damaged filter system	Adjust/Replace filters
Abnormal noise		Order service

TRANSPORTATION AND STORAGE

Transportation of the product

- Secure the product during transportation in order to avoid transport damage and accidents. Use the factory installed tie down lugs on the machine, to prevent movement during transport.
- During transportation, battery and propane tank must be securely fastened and completely disconnected at all times.
- If the engine has been running, allow it to cool for at least 15 minutes before loading the engine-powered equipment onto the transport vehicle. A hot engine and exhaust system can burn you and can ignite some materials.

- Before operating the dust extractor after transportation, the propane tank and battery must be reconnected and correctly assembled. See *To connect the battery on page 7* and *To connect the propane tank on page 7* for more information.

Storage of the product

- Make sure that the product is cleaned and that a complete service is carried out before long-term storage.
- Always store equipment away from heater rooms, boilers, gas-fired water heaters or any other source of open flame or ignition. The exhaust system will be

very hot and takes several minutes to cool, so keep yourself and all materials clear.

- Always store equipment away from possible damage by falling objects in warehouse-type areas.
- Always store LPG tanks outside. Remove all propane tanks from inside the building except during equipment use. Store the propane tanks in a secure and well ventilated area.
- Before operating the dust extractor after storage, the propane tank and battery must be reconnected and correctly assembled. See *To connect the battery on page 7* and *To connect the propane tank on page 7* for more information.

TECHNICAL DATA

Technical data

Data	T 8600 Propane	S 36 Propane
Engine manufacturer	Kawasaki, propane converted by Aztek	Honda, propane converted by Aztek
Engine power, hp / kW. See Note 1	18 hp / 13.4 kW	11 hp / 7.6 kW
Starter	Electric	
Battery type (recommended)	Lead-acid	Lead-acid
Battery Voltage, V DC	12 V DC	12 V DC
Battery size, max (LxWxH), in / mm	5.9x3.4x5.7 / 150x88x145	5.9x3.4x5.7 / 150x88x145
Battery capacity, min (Ah)	12	12
Cold cranking Amperes, min	220	220
Max airflow, CFM / m ³ /h	410 / 700	285 / 484
Max vacuum, kPa	28	26
Water Lift, inches	110	102
Main Hose diameter, in / mm	3 / 76	2.5 / 63
Main Hose length, ft / m	33 / 10	33 / 10
Inlet diameter, in / mm	3 / 76	2 / 50
Pre-Filter EN779-F8, % @ 1µm	99.5%	99.5%
Pre-Filter Area, ft ² / m ²	25 / 2.3	40 / 3.7
HEPA Filter EN1822-H13, % @0,3µm	>99.99	>99.99
HEPA Filter, quantity	2	2
Total HEPA filter area, ft ² / m ²	54 / 5	27 / 2.5
Dust Collection system, Type	LONGOPAC	LONGOPAC
Filter cleaning mechanism	Jet Pulse	Jet Pulse
Weight uncrated, lbs / kg	628 / 285	454 / 206

Data	T 8600 Propane	S 36 Propane
Dimensions (L*W*H), in / mm	55x27x69 / 1400x700x1775	46x27x63 / 1170x693x1590
Gas tank size, max (DxH), in / mm. See Note 2	12.2x23.5 / 310x600	12.2x23.5 / 310x600
Gas amount in tank, max, lbs / kgs. See Note 2	20 / 10	20 / 10
Gas tank weight (incl. gas), max lbs / kgs. See Note 2	50 / 25	50 / 25
Engine fuel	See engine manufacturer manual.	
Engine oil		
Engine parts		
<p>Note 1: As specified by engine manufacturer. The power rating of the engines indicated is the average net power output (at specified rpm) of a typical production engine for the engine model measured to ISO3046, SAE J1940/J1995. Mass production engines may differ from this value. Actual power output for the engine installed in the final product will depend on the operating speed, environmental conditions and other variables.</p> <p>Note 2: Only use gas tank compliant to DOT specifications. Ask your authorized dealer.</p>		

SERVICE

Service



WARNING: Before cleaning and servicing the product, you must turn it off, disconnect the battery and propane tank.



CAUTION: Wait until the fan impeller has completely stopped, then carry out the service on the product. The exhaust becomes very hot even if the engine runs for just a short period of time.

- Avoid cleaning with a high pressure cleaner. If necessary, do not direct at the openings on the dust extractor, especially the opening for cooling air.
- Before moving the dust extractor from the work area, the dust extractor must be cleaned and the inlet must be locked using the inlet valve.
- All other equipment must be regarded as contaminated and be treated thereafter.

- If possible, use a special suitable room.
- Proper personal protective equipment must be used. Dust can be spread when the coarse filter and the absolute filter are replaced, which can be hazardous to health. Accordingly, the user should wear protective glasses, protective gloves, and a breathing mask conforming to protection class FFP3.
- All contaminated parts after service must be properly disposed of in plastic bags according to all local regulations.
- If the product has to be used for other purposes, it is extremely important that the product is cleaned to avoid the spread of hazardous dust.
- Do not puncture the HEPA filter to prevent dust dispersion.
- The correct distance between clutch plates is 0.5 mm (-0.2 + 0.3)

Replacement parts, Filters and Dust collection system

Part no:	Description	T 8600 Propane	S 36 Propane
590429201	Longopac (4-bags)	1	1
590396101	Plastic bags (25-pcs)	1	1
590438801	Pre-filter T 8600 Propane	1	N/A
590430202	Pre-filter S 36 Propane	N/A	1
590429801	HEPA FILTER S-LINE	N/A	2

Part no:	Description	T 8600 Propane	S 36 Propane
590435901	HEPA FILTER T-LINE	2	N/A

To examine the wires

Check all wire connections if the product doesn't start.

1. Remove the propane tank.
2. Open the battery hatch.
3. Examine if any connections are loose, damaged or unconnected.
4. Repair or replace wires as needed.

To examine the propane/LPG tank and lines



CAUTION: All products are equipped with tamperproof fuel systems. If a fuel problem exists, contact an authorized service center.

Note: Make sure to weigh the tank as being filled and never overfill the LPG tank. The LPG tank is designed to hold a maximum of 20 pounds of propane. The gross weight of a full tank should not exceed 48 pounds.

Every tank has been pressure and leak tested. However, every time a tank is filled and/or connected to the product:

1. Make sure the couplers are in line and tightly screwed together by hand, never complete the connection of the tank to the machine by using a tool. If this is not done properly, fuel will not pass through to the regulator.
2. Carry out a soap test by pressurizing all LPG lines.
3. Spray every inch of line and all connections. If you find a leak, contact an authorized service center.

When operating the dust extractor:

If the tank has been overfilled, a frost forming will appear on the LPG lines or on the regulator.

4. Turn off the dust extractor otherwise it will be damaged.
5. The excess propane in the tank must be ventilated in a safe manner, see *SAFETY on page 5*.
6. In some cases, the regulator must defrost before restarting the dust extractor.

WARRANTY

Warranty

All Husqvarna devices and accessories have a 12-month factory warranty for material and manufacturing defects. The warranty extends to 36 months when returning the attached warranty slip. Do not attempt to repair the suction apparatus without the consent of the manufacturer.

The warranty does not cover defects which are the result of normal wear and tear, negligence, defective use, unauthorised repair or the suction apparatus being connected to the incorrect voltage.

In the event of any complaint, the suction apparatus or an agreed part of it must be returned to us or our authorised representative for warranty examination and for any warranty repair or replacement.

Contenido

INTRODUCCIÓN.....	15	SOLUCIÓN DE PROBLEMAS.....	24
SEGURIDAD.....	18	TRANSPORTE Y ALMACENAMIENTO.....	25
INSTALLATION (INSTALACIÓN).....	20	DATOS TÉCNICOS.....	26
FUNCIONAMIENTO.....	20	SERVICIO.....	27
MANTENIMIENTO.....	23	GARANTÍA.....	28

INTRODUCCIÓN

Descripción de la máquina

Estimado cliente:

Gracias por elegir Husqvarna como su proveedor.

Esperamos que este producto impulsado por Aztec/ Kawasaki y Aztec/Honda fomente su satisfacción y cumpla con sus expectativas.

Lea atentamente las reglas de seguridad y el manual del usuario por completo antes de utilizar el extractor de polvo. Este manual es exclusivo del extractor de polvo S 36 Propane / T 8600 Propane. Husqvarna no se hace responsable si el extractor de polvo se utiliza para otras

aplicaciones o se utiliza de forma distinta a las descritas en el presente manual del usuario.

Procure leer y comprender las instrucciones del producto principal para garantizar su comprensión acerca del uso adecuado del equipo de seguridad y personal y el funcionamiento de forma segura.

Todas las piezas de repuesto del extractor de polvo S 36 Propane / T 8600 Propane deben ser aquellas especificadas por Husqvarna. El fabricante del motor es el encargado de especificar las piezas de repuesto correspondientes para el motor.



¡ADVERTENCIA!

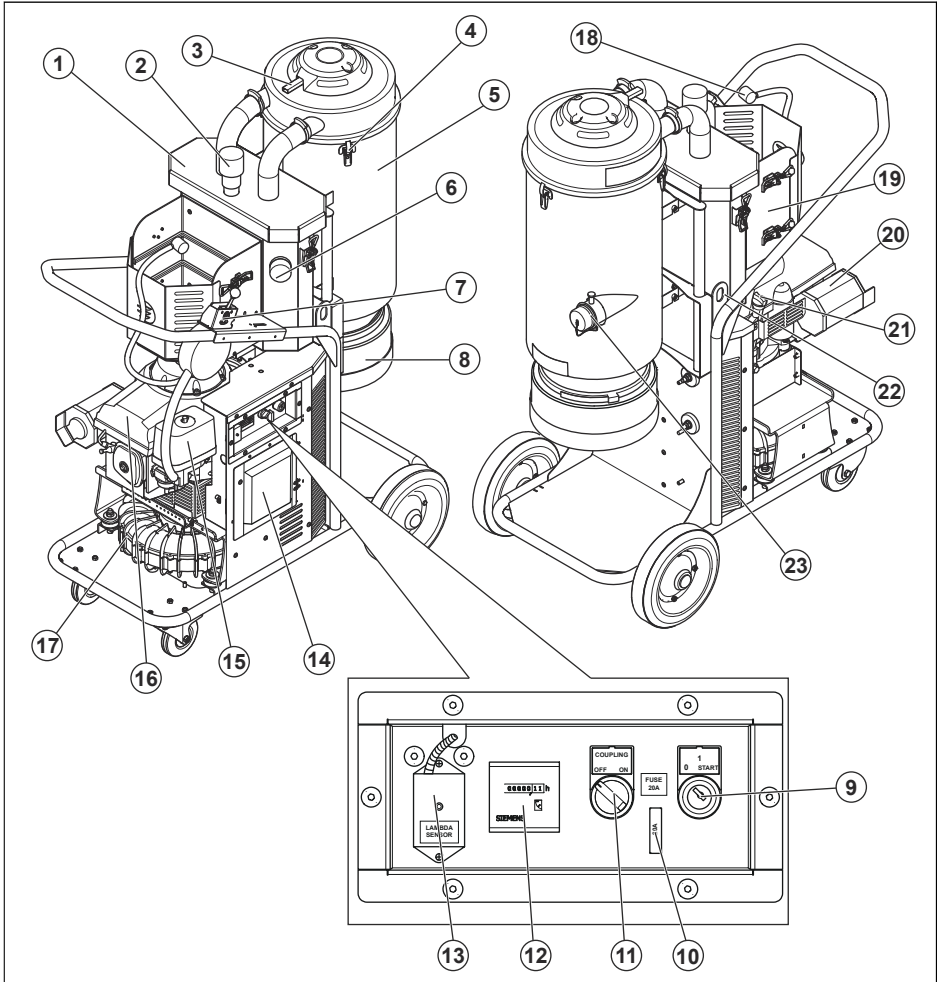
Los gases de escape del motor de este producto contienen sustancias químicas conocidas en el Estado de California como causantes de cáncer, defectos congénitos y otros daños reproductivos.

Uso específico

El extractor de polvo S 36 Propane / T 8600 Propane se diseñó con fines comerciales.

El producto se diseñó para aspirar y separar polvo seco incombustible con un valor límite de explosión de $>0,1 \text{ mg/m}^3$.

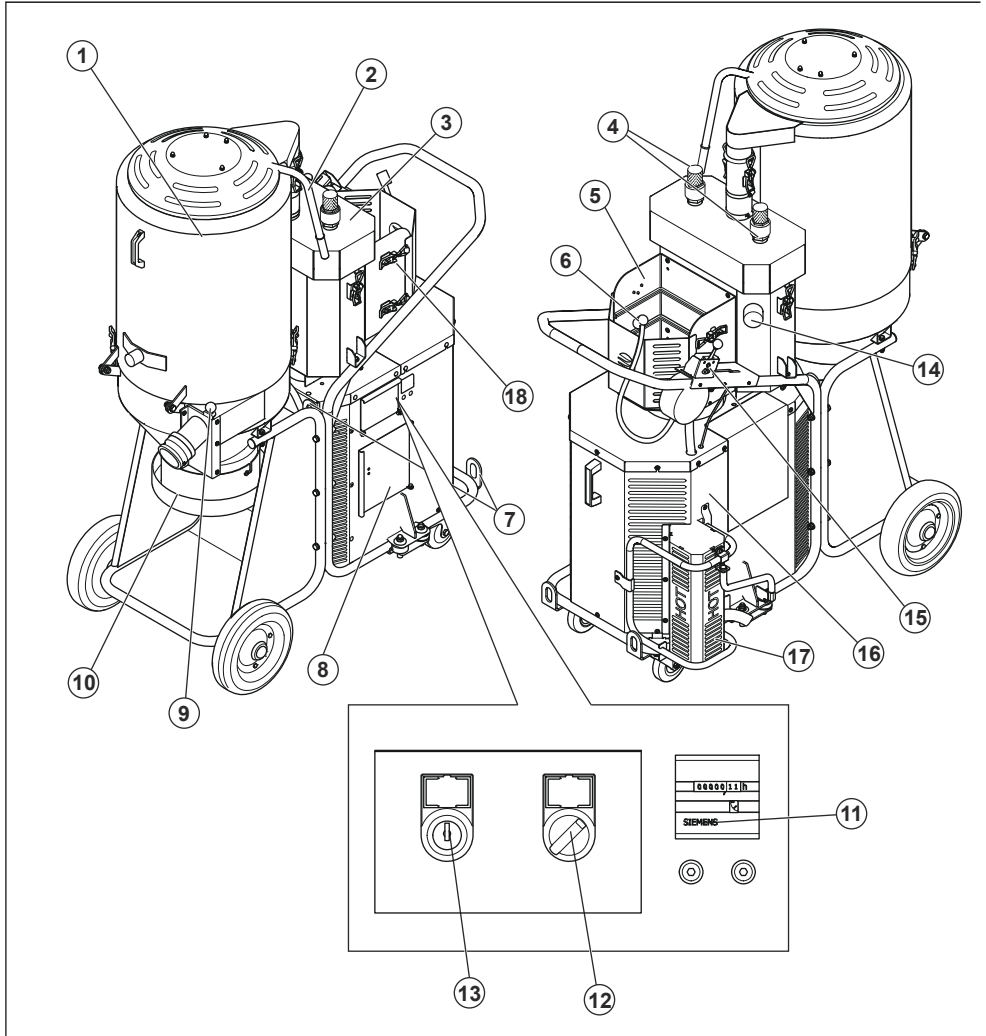
Descripción general de la máquina S 36



1. Filtro HEPA
2. Válvula de liberación de presión
3. Mango de pulso de chorro
4. Sujetador de conmutación
5. Prefiltro
6. Manómetro
7. Ajuste del acelerador
8. Conexión LONGOPAC
9. Encendido/apagado
10. Fusible
11. Acoplamiento
12. Horómetro

13. Indicador del sensor de emisión
14. Compuerta de la batería
15. Filtro de aire del motor
16. Motor
17. Ventilador de aspiración
18. Conexión de propano
19. Soporte del depósito de propano
20. Silenciador
21. Recarga del aceite del motor
22. Dos argollas de amarre
23. Tapón de admisión

Descripción general de la máquina T 8600



- | | |
|-------------------------------------|--|
| 1. Prefiltro | 11. Horómetro |
| 2. Mango de pulso de chorro | 12. Acoplamiento |
| 3. Filtro HEPA | 13. Encendido/apagado |
| 4. Válvula de liberación de presión | 14. Manómetro |
| 5. Soporte del depósito de propano | 15. Ajuste del acelerador |
| 6. Conexión de propano | 16. Escotilla de llenado de aceite del motor |
| 7. 4 argollas de amarre | 17. Silenciador |
| 8. Compuerta de la batería | 18. Sujetador de conmutación |
| 9. Válvula de admisión | |
| 10. Conexión LONGOPAC | |

Símbolos en el producto

Riesgo por dispersión de polvo: utilice equipo personal de seguridad.



Lea atentamente el manual del usuario y asegúrese de que entiende las instrucciones antes de utilizar la máquina.



Se puede esparcir polvo insalubre durante el cambio de filtro. En consecuencia, el usuario debe usar gafas y guantes protectores y una máscara respiratoria en conformidad con la categoría de protección FFP3.



Función del acelerador, ajuste de RPM.



¡ADVERTENCIA! En caso de inhalación, el polvo puede provocar algún tipo de daño. Utilice una máscara respiratoria aprobada. Evite inhalar los gases de escape. Proporcione siempre una buena ventilación.



El propano es altamente inflamable y explosivo.



No utilice las argollas de amarre para levantar la máquina, ya que no disponen del equilibrio necesario para la tarea.

SEGURIDAD

Definiciones de seguridad

Las advertencias, precauciones y notas se utilizan para señalar las piezas particularmente importantes del manual del usuario.



ADVERTENCIA: Se utilizan para señalar el riesgo de lesiones graves o mortales para el operador o para aquellos que se encuentren cerca si no se siguen las instrucciones del manual.



AVISO: Se utilizan para señalar el riesgo de dañar el producto o accesorio, otros materiales o el área adyacente si no se respetan las instrucciones del manual.

Tenga en cuenta: Se utilizan para entregar más información necesaria en situaciones particulares.

Instrucciones generales de seguridad

- Siempre tenga cuidado y use su sentido común. Si entra en una situación en la que se sienta inseguro, deténgase y busque el asesoramiento de expertos. Póngase en contacto con el distribuidor, el agente de servicio o un usuario experimentado. No intente realizar ninguna tarea en la cual se sienta inseguro.
- Cumpla con toda la información que aparece en el producto y el depósito de LPG (gas licuado de

petróleo). Bajo ninguna circunstancia permita que personas sin capacitación o que no hayan leído ni comprendan las instrucciones indicadas utilicen este extractor de polvo.

- Lea atentamente el manual del usuario y asegúrese de que entiende las instrucciones antes de utilizar la máquina. Guarde todas las advertencias e instrucciones para futuras referencias.
- Tenga en cuenta que usted, el operador, es responsable de no exponer a las personas o su propiedad a accidentes o peligros.
- El extractor de polvo se debe mantener limpio. Los avisos y los autoadhesivos deben ser perfectamente legibles.

Instrucciones de seguridad para el funcionamiento



ADVERTENCIA: Durante las tareas de corte y desbaste, especialmente cuando se trabaja EN SECO, se genera polvo proveniente del material utilizado, el cual con frecuencia contiene sílice. La sílice es un componente básico de la arena, el cuarzo, la arcilla de los ladrillos, el granito y otros numerosos minerales y rocas. La exposición a una cantidad excesiva de semejante polvo puede causar:

- Producto de la exposición a la sílice se pueden ocasionar enfermedades

respiratorias (que afectan la capacidad de respirar) como la bronquitis crónica, la silicosis y la fibrosis pulmonar. Estas enfermedades pueden ser mortales.

- Irritación cutánea y sarpullido.
- Cáncer (según el Programa Nacional de Toxicología y el Centro Internacional de Investigaciones sobre el Cáncer).

Tome medidas preventivas:

- Evite inhalar y que su piel entre en contacto con el polvo, el vaho y los gases.
- Utilice artículos apropiados para la protección respiratoria como máscaras contra polvo diseñadas para filtrar partículas microscópicas, y asegúrese de que todas las personas que se encuentren cerca también lo hagan. (Consulte la normativa OSHA 29 CFR Parte 1910.1200)
- Corte en condiciones ambientales húmedas cuando sea posible para reducir el polvo al mínimo.



ADVERTENCIA: No utilice esta máquina en un entorno que cuente con una posible fuente de ignición. No está permitido fumar ni la presencia de chispas o llamas cerca de la máquina, el motor o el depósito de LPG.



ADVERTENCIA: Si detecta olor a gas:

- Detenga inmediatamente la unidad.
- Abra las ventanas.
- Revise si hay fugas.
- No toque los interruptores eléctricos.
- Apague todas las llamas abiertas.
- Comuníquese con un profesional de la reparación.



ADVERTENCIA: Nunca cambie ni modifique el equipo de control de propano. El motivo es que se encuentra adaptado exclusivamente a la máquina con el nivel mínimo de monóxido de carbono. Si modifica el equipo de control puede ocasionar que las emisiones del motor alcancen niveles peligrosos.



ADVERTENCIA: Tanto S 36 Propane como T 8600 Propane vienen con un depósito de propano equipado con un dispositivo de protección contra el llenado en exceso (OPD). Si tiene un cilindro de LPG de mayor antigüedad y con exceso de contenido, ventile constantemente en exteriores, lejos de dispositivos que generen fuego, llamas o

chispas y de áreas cerradas en las que se pueda acumular gas. Utilice un destornillador para ventilar el exceso de propano, el cual se escapa en forma de neblina blanca. La ventilación efectiva del propano será evidente cuando se alcance el nivel correcto del depósito.



ADVERTENCIA: Todos los extractores de polvo que funcionan con propano se diseñaron especialmente para su uso con un cilindro de propano en posición vertical con extracción de vapor y de 5 galones (20 lb). El uso de una configuración diferente del cilindro de extracción de líquido es peligroso y puede causar un incendio o una explosión, lo cual anularía la garantía.



ADVERTENCIA: Los gases de escape del motor están calientes y pueden contener chispas que podrían iniciar un incendio. Disponga de un equipo de extinción de incendios al alcance en todo momento. ¡Nunca arranque la máquina en interiores o cerca de material inflamable!



ADVERTENCIA: Hacer funcionar un motor en un área confinada o mal ventilada puede producir la muerte por asfixia o intoxicación por monóxido de carbono. Tome medidas preventivas contra la exposición a las emisiones de monóxido de carbono (CO). Durante su uso en espacios reducidos, utilice indicadores para detectar el CO. Utilice la máquina únicamente en exteriores o áreas con buena ventilación. Los edificios deben contar con:

- La ventilación natural o la ventilación mecánica continua se deshace al aire libre de los productos de combustión de no menos de 300 CFM por cada 10 000 BTUH o la fracción correspondiente de los mismos, en función de un máximo de un cuarto de la ventilación por hora según el volumen neto del edificio.



ADVERTENCIA: La exposición prolongada al ruido puede causar la pérdida permanente de la audición. Use siempre protectores auriculares aprobados. Cuando utilice protectores auriculares, preste atención a las señales de advertencia o las indicaciones sonoras. Siempre retire sus protectores auriculares apenas se detenga el motor.



ADVERTENCIA: La máquina puede ser una herramienta peligrosa si se usa incorrectamente o se manipula sin precaución, lo que puede causar lesiones graves o mortales para el operador u otras personas.



ADVERTENCIA: Nunca utilice un producto que esté defectuoso. Realice las comprobaciones de seguridad, el mantenimiento y las instrucciones de servicio descritas en este manual. Especialistas capacitados y calificados deben llevar a cabo algunas medidas de mantenimiento y servicio. Consulte las instrucciones en la sección *MANTENIMIENTO* en la página 23.



ADVERTENCIA: Nunca permita que los niños u otras personas no capacitadas en la utilización de este producto lo utilicen o le realicen mantenimiento. Nunca permita que otras personas utilicen el producto sin asegurarse primero de que han leído y comprendido el contenido del manual de usuario.



ADVERTENCIA: Utilice siempre accesorios originales.



ADVERTENCIA: Nunca utilice el producto si está cansado, bajo la influencia del alcohol o las drogas, medicamentos o cualquier cosa que pudiera afectar su visión, atención, coordinación o criterio.



ADVERTENCIA: Procure que la zona de montaje sea firme, de manera que el extractor de polvo no se pueda volcar. Riesgo de daños personales y materiales.



ADVERTENCIA: Las modificaciones o los accesorios no autorizados pueden provocar graves lesiones o incluso la muerte al usuario u otras personas.



ADVERTENCIA: Riesgo de aplastamiento durante la manipulación de los sujetadores de conmutación.



ADVERTENCIA: No modifique este producto ni lo utilice si parece haber sido modificado por otros.



AVISO: Cuando el depósito de LPG se encuentre acoplado a la máquina y no esté en marcha, la válvula del depósito debe estar en la posición CLOSED (Cerrado).

INSTALLATION (INSTALACIÓN)

Información general

Durante el desembalaje del producto, verifique que se incluyan los siguientes accesorios:

- La manguera con conectores de extremo
- Tubo de acero
- Boquilla inferior

Si falta alguna de las piezas mencionadas previamente, comuníquese con su distribuidor local o nuestro representante de ventas.

En el caso de los modelos que actualmente no cuenten con las ruedecillas delanteras montadas debido a un problema con el embalaje:

- Monte las ruedecillas delanteras con el perno o la tuerca y la arandela incluidas en el paquete (según su función).

Deseche los materiales de embalaje y los componentes usados de la máquina de forma segura para el medioambiente en conformidad con las normativas locales de eliminación de desechos. Tenga en mente el reciclaje en todo momento.

FUNCIONAMIENTO

Introducción

El aire repleto de polvo se aspira a gran velocidad a través de la válvula de admisión y la manguera de aspiración. El ciclón disminuye la velocidad del aire y separa las partículas de polvo gruesas mediante la fuerza centrífuga y la gravedad. De este modo, el

sistema de filtro doble separa el aire de las partículas más finas. El extractor de polvo se diseñó para limpiar el filtro mediante una pulsación invertida de aire.

El polvo separado se acumula en el ciclón hasta el apagado de la máquina, luego desciende por la tapa inferior hacia la bolsa de plástico. El proceso de

limpieza del filtro no finaliza hasta que sea evidente que el polvo al interior del depósito descendió a la bolsa de recolección. En algunos casos extremos, el polvo se deberá desprender manualmente debido a su capacidad de adhesión. Puede realizar esto con golpes al polvo para que entre a la bolsa o mediante golpes al alojamiento del prefiltro.

Antes del uso

Antes de su uso, el usuario debe estar capacitado para manipular el extractor de polvo y el polvo peligroso.



ADVERTENCIA: Antes de arrancar el motor, revise la tabla de servicio para obtener información acerca del mantenimiento diario.



ADVERTENCIA: Cuando el motor está en marcha, el escape contiene sustancias químicas como monóxido de carbono e hidrocarburos sin quemar. Es de conocimiento general que los gases de escape causan problemas respiratorios, cáncer, malformaciones congénitas u otros daños reproductivos. El monóxido de carbono es incoloro e insípido, pero siempre se encuentra presente en los gases de escape. La etapa inicial de la intoxicación por monóxido de carbono se distingue por implicar un mareo leve y posiblemente irreconocible para la víctima. Si la concentración de monóxido de carbono es lo suficientemente alta, las personas pueden colapsar y perder el conocimiento sin previo aviso. El monóxido de carbono es incoloro e inodoro, por lo que no se puede detectar su presencia. El monóxido de carbono está presente en todos los casos en que se detecten olores correspondientes a gases de escape.

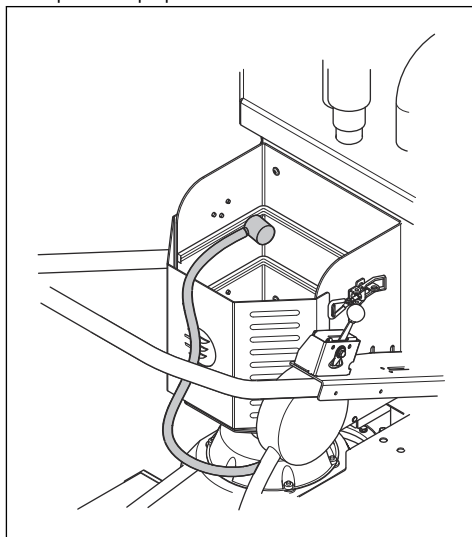
Para conectar la batería

- Procure que los cables se encuentren conectados firmemente a los terminales correspondientes, primero el rojo (+) y luego el negro (-). Desconecte la batería en el orden contrario.
- Procure que el soporte que sujeta la batería en su lugar se encuentre montada adecuadamente, de modo que la batería no se pueda mover durante el funcionamiento.

Para conectar el depósito de propano

1. Procure que el depósito se encuentre sujeto firmemente en su lugar por la placa del soporte y los seguros. Si se encuentra montada correctamente, no se debería mover.

2. Conecte la manguera del extractor de polvo al depósito de propano.



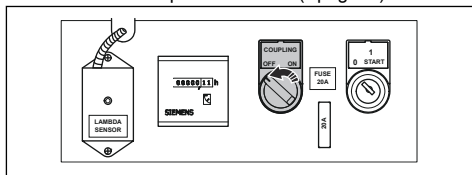
3. Procure que los acopladores se encuentren alineados y atornillados de manera manual y firme uno junto al otro. Bajo ninguna circunstancia debe utilizar una herramienta para conectar el depósito a la máquina. Si no se realiza correctamente, el combustible no pasará a través del regulador.
4. Realice una prueba de protocolo simple de acceso de objetos mediante la presurización de todas las tuberías de LPG. Consulte *Examinación de los conductos y el depósito de LPG o propano en la página 28*.

Para arrancar y detener

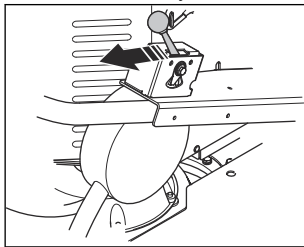


AVISO: Antes de poner en marcha el extractor de polvo, procure que la válvula de admisión esté abierta y el embrague desacoplado.

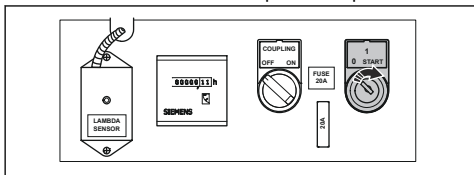
1. Para abrir válvula del depósito de propano, gírela hacia la izquierda.
2. Procure que el interruptor del embrague se encuentre en la posición "OFF" (Apagado).



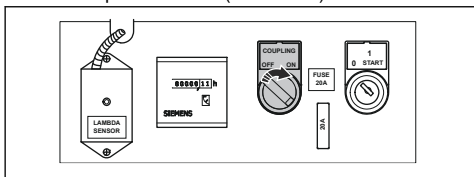
- Procure que el acelerador se encuentre en la velocidad más baja.



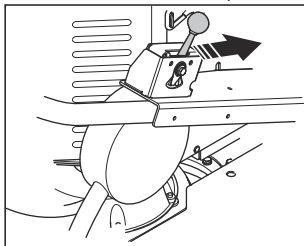
- Arranque el motor con el interruptor de llave, luego gire la llave hasta la posición "START" (Arranque) y manténgala allí hasta que el motor esté en marcha. Ahora la llave de contacto apunta a la posición "1".



- Accione el embrague después de calentar el motor y con este en marcha en ralentí. Gire el interruptor hasta la posición "ON" (Encendido).



- De este modo, el aire repleto de polvo se aspira a través de la válvula de admisión y la manguera de aspiración.
- Presione el acelerador para aumentar las RPM.



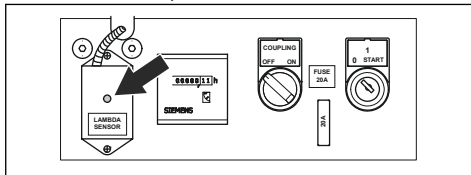
- Para detener el extractor de polvo, interrumpa la transmisión de gas en la válvula de servicio y deje que se consuma el propano presente en los conductos de combustible. Repita los pasos en el orden contrario.

Reinicio de la máquina con el indicador del sensor de emisiones encendido



ADVERTENCIA: Cuando los niveles de emisión de CO sean demasiado altos en el lugar de trabajo, el extractor de polvo se apagará.

- Verifique el estado del indicador del sensor de emisiones en el panel de instrumentos.



- Apague la válvula de gas del depósito.
- Gire el interruptor de llave a "0".
- Gire "COUPLING" (Acoplamiento) a la posición "OFF" (Apagado).
- Evacúe el área y posibilite la ventilación.
- Procure que el indicador no esté encendido y reinicie el extractor de polvo.

Silenciador



ADVERTENCIA: Nunca utilice una máquina sin un silenciador o con un silenciador defectuoso. Un silenciador dañado puede aumentar considerablemente el nivel de ruido y el peligro de incendio. Mantenga un equipo de extinción de incendios al alcance.

El silenciador se calienta mucho durante y después de su uso. Esto también se aplica durante el ralentí. Tenga presente el riesgo de incendio, especialmente cuando se trabaja cerca de sustancias inflamables o vapores. El silenciador está diseñado para mantener los niveles de ruido al mínimo y para dirigir los gases de escape lejos del usuario.

Compruebe con regularidad que el silenciador esté completo y fijado correctamente.

Limpieza del filtro



AVISO: Si la capacidad de aspiración sigue siendo deficiente, debe reemplazar el prefiltro. Si la capacidad de aspiración sigue siendo deficiente después de la sustitución, debe reemplazar los filtros HEPA. Consulte las instrucciones en *Cambio del filtro HEPA* en la página 23.

El filtro se debe limpiar cada cierto tiempo. Lo cual se debe realizar antes de cambiar el sistema de recolección con bolsas de plástico, tras finalizar un trabajo o cuando la aspiración sea deficiente.

1. Durante el funcionamiento del extractor de polvo, selle la admisión con la tapa o la válvula de admisión (T 8600 Propane).
2. Permita que el dust extractor intensifique la capacidad de aspiración durante 5 segundos, y luego presione rápidamente el mango de pulso de chorro durante 5 segundos.
3. Repita el paso 2 cinco veces. Es importante permitir que el dust extractor recupere su capacidad de aspiración entre cada repetición.
4. Si la capacidad de aspiración sigue siendo deficiente, debe reemplazar el filtro. Sustituya la bolsa de plástico únicamente tras la limpieza del filtro.

MANTENIMIENTO

Programa de mantenimiento S 36 Propane / T 8600 Propane

Tenga en cuenta: Para obtener información de servicio relacionada con el motor, consulte el manual del fabricante del motor.

Funcionamiento	Diario	8 h.	50 h.
Compruebe y agregue aceite al motor	X		
Inspeccione en busca de la presencia de sujetadores sueltos o casos de sujetadores perdidos	X		
Compruebe que no haya una fuga de aceite	X		
Inspeccione la manguera de combustible y las conexiones	X		
Inspeccione el filtro de polvo del motor	X		
Limpie el filtro de polvo del motor. Consulte la nota 1	X		
Inspeccione el acelerador y el cable	X		
Cambie el aceite del motor. Consulte la nota 2		X	X
Cambie el filtro del aceite del motor. Consulte la nota 3		X	
Inspeccione la batería y sus conexiones			X
Inspeccione el embrague magnético			X

Nota 1: En las zonas polvorientas es necesario realizar con mayor frecuencia las tareas de mantenimiento.

Nota 2: Cambie el aceite del motor tras las primeras 8 horas y luego cada 50 horas.

Nota 3: Cambie el filtro de aceite del motor tras las primeras 8 horas, y luego siga las instrucciones de mantenimiento indicadas en el manual del fabricante del motor.

Antes de cambiar el filtro

- Limpie el filtro según las instrucciones que aparecen en la sección *Limpieza del filtro en la página 22*.
- Apague el motor y espere que el ventilador se detenga por completo antes de abrir el dust extractor para cambiar los filtros. El tubo de escape se calentará mucho tras poner en marcha el motor por solo un breve periodo.

Cambio del filtro HEPA



AVISO: No limpie los filtros HEPA. Si intenta limpiar un filtro HEPA, solo conseguirá estropearlo. Procure no tocar el interior del filtro durante la instalación del filtro de repuesto. Todo tipo de fuerza o daño al interior de los componentes del filtro implicará el deterioro del nuevo filtro.

Tenga en cuenta: Intervalos recomendados para el cambio del filtro: El prefiltro se debe cambiar cada 6 meses y los filtros HEPA cada 12.

1. Afloje los pestillos de la tapa de la cubierta del filtro.
2. Levante cuidadosamente el filtro y colóquelo en una bolsa de plástico limpia, la cual debe desechar según corresponda.
3. Coloque un filtro nuevo en el orden contrario.

Cambio del prefiltro del T 8600 Propane



ADVERTENCIA: Apague el dust extractor.

1. Afloje los dos pestillos ubicados entre el depósito y el ciclón inferior.
2. Afloje los dos pestillos de la conexión de la manguera ubicados entre el depósito y la cubierta del filtro HEPA.
3. Gire el depósito hacia delante.
4. Gire la placa del filtro hacia la izquierda en 10 grados y cuidadosamente el filtro y el soporte hacia abajo.
5. Coloque una bolsa de plástico encima de la unidad del filtro.
6. Levante el filtro cuidadosamente, tome la bolsa y amárrela con la mano. Esta bolsa se debe desechar adecuadamente.
7. Inserte un paquete nuevo y completo de filtro en el orden contrario. Solo se podrán utilizar filtros originales.

Cambio del prefiltro del S 36 Propane



AVISO: Durante la extracción del prefiltro para efectos de limpieza, solo utilice agua

con baja presión que originalmente se encontraba en el interior de este. Si utiliza fuerza excesiva, agua de alta presión o aire comprimido deteriorará el filtro. El filtro debe estar completamente seco antes de volver a colocarlo en el alojamiento.

1. Afloje las 3 abrazaderas y retire la parte superior.
2. Retire la bolsa del nuevo filtro.
3. Extraiga el filtro y colóquelo cuidadosamente en una bolsa de plástico. Esta bolsa se debe desechar adecuadamente.
4. Inserte un nuevo filtro.

Montaje de una nueva bolsa LONGOPAC



AVISO: Todos los extractores de polvo se pueden utilizar con bolsas para polvo de uso individual de Husqvarna. Además, todos los modelos se pueden instalar con el sistema LONGOPAC. Tras finalizar el proceso de limpieza del filtro, solo se deben cambiar las bolsas regulares o LONGOPAC.

Por lo general, los extractores de polvo cuentan con un sistema LONGOPAC para lograr un almacenamiento eficaz de polvo o un sistema de bolsas de plástico regulares según el modelo. LONGOPAC es un tubo de plástico de 22 m (72 pies) de longitud que se divide en bolsas de plástico con abrazaderas plásticas acopladas a la máquina.

1. Suelte la correa que sujeta la última bolsa.
2. Retire el soporte, ponga una nueva bolsa LONGOPAC y tire el extremo interior hacia arriba.
3. Monte el soporte en el dust extractor y ate la abertura hacia arriba en dirección hacia la correa.
4. Tire hacia abajo el extremo exterior y ciérrelo con una abrazadera plástica.

SOLUCIÓN DE PROBLEMAS

Solución de problemas

El extractor de polvo S 36 Propane / T 8600 Propane se diseñó y fabricó para tareas y entornos hostiles. Sin embargo, el usuario debe tener en cuenta que la máquina se debe proteger contra los golpes e impactos.

Los filtros, los sellos, las conexiones y los equipos están cuidadosamente adaptados y seleccionados en función del entorno de trabajo del usuario. Por lo tanto, el usuario y el personal de servicio técnico debe tratar el dust extractor con cuidado a fin de que funcione correctamente durante muchos años.

Problema	Causa	Solución
El motor no arranca	Ausencia de gas	Reemplace el depósito de gas e inspeccione el regulador y la manguera de combustible
	Ausencia de chispa	Revise el manual de mantenimiento del motor
	Ausencia de alimentación de la batería	Reemplace por una batería completamente cargada
	Interruptor defectuoso	Reemplácelo
	Sensor de bajo nivel de aceite	Revise el nivel de aceite y reabastezca el depósito en caso de ser necesario
	Sensor de emisiones	Ventile el área y espere hasta que se apague la luz roja del sensor
	Incapacidad de arranque	Inspeccione el fusible
Falla de acoplamiento del impulsor del ventilador	Embrague desgastado o averiado	Inspeccione y cambie el fusible en caso de ser necesario
El motor y el ventilador se encuentran en marcha, pero no se produce la aspiración	Manguera desconectada	Conecte la manguera
	Manguera obstruida o bloqueada	Manguera limpia
	Ausencia de bolsa de plástico	Instale una bolsa de plástico
El motor y el ventilador se encuentran en marcha, pero la aspiración es deficiente	Manguera dañada	Reemplace la manguera
	Filtro obstruido	Limpie o reemplace el filtro
	Cubierta superior suelta	Ajústela
	Suciedad en la tapa	Limpie la tapa
Polvo proveniente del motor	Sistema de filtro dañado o montado incorrectamente	Ajuste o reemplace los filtros
Ruido anormal		Solicite tareas de mantenimiento

TRANSPORTE Y ALMACENAMIENTO

Transporte de la máquina

- Asegure el producto durante el transporte para evitar daños y accidentes de transporte. Utilice las argollas de amarre instaladas de fábrica de la máquina para evitar el movimiento durante el transporte.
- Durante el transporte, la batería y el depósito de propano deben estar adecuadamente fijos y completamente desconectados en todo momento.
- Si el motor estuvo en marcha, deje que se enfríe durante al menos 15 minutos antes de cargar el equipo motorizado al vehículo de transporte. Los motores calientes y el sistema de escape pueden producir quemaduras e incendiar algunos materiales.
- El depósito de propano y la batería se deben montar correctamente y volver a conectar antes de poner en marcha el extractor de polvo y después del transporte. Para obtener más información, consulte *Para conectar la batería en la página 21* y *Para conectar el depósito de propano en la página 21*.

Almacenamiento de la máquina

- Procure que la máquina esté limpia y se realice un mantenimiento completo antes de almacenarla durante un largo plazo.
- Siempre almacene el equipo lejos de las habitaciones con calefactores, calderas, calentadores de agua a base de gas o cualquier otra fuente de llama abierta o ignición. El sistema de escape se calentará mucho y tardará varios minutos en enfriarse, de modo que debe alejarse de este junto con los materiales.
- Siempre guarde el equipo lejos de posibles daños por caídas de objetos en zonas como almacenes.
- Siempre almacene los depósitos de LPG en el exterior. Retire todos los depósitos de propano del interior del edificio, excepto durante el uso del equipo. Almacene los depósitos de propano en una zona segura y con buena ventilación.
- El depósito de propano y la batería se deben montar correctamente y volver a conectar antes de poner en marcha el extractor de polvo y después del almacenamiento. Para obtener más información, consulte *Para conectar la batería en la página 21* y *Para conectar el depósito de propano en la página 21*.

DATOS TÉCNICOS

Datos técnicos

Datos	T 8600 Propane	S 36 Propane
Fabricante del motor	Kawasaki, convertido al propano por Aztek	Honda, convertido al propano por Aztek
Potencia del motor, HP/kW. Consulte la nota 1	18 HP/13,4 kW	11 HP/7,6 kW
Motor de partida	Eléctrico	
Tipo de batería (recomendada)	Plomo y ácido	Plomo y ácido
Tensión de la batería, V CC	12 V CC	12 V CC
Tamaño de la batería, máx. (LxAxH), pulg./mm	5.9x3.4x5.7 / 150x88x145	5.9x3.4x5.7 / 150x88x145
Capacidad de la batería, mín. (Ah)	12	12
Arranque en frío, amperios mín.	220	220
Flujo de aire máx. CFM / m ³ /h	410/700	285/484
Aspiración máx., kPa	28	26
Elevación del agua, pulgadas	110	102
Diámetro de la manguera principal, pulg./mm	3/76	2,5/63
Longitud de la manguera principal, pies/m	33/10	33/10
Diámetro de admisión, pulg./mm	3/76	2/50
Prefiltro EN779-F8, % a 1 µm	99,5%	99,5%
Zona del prefiltro, ² pies/ ² m	25/2,3	40/3,7
Filtro HEPA la norma EN1822-H13, % a 0,3 µm	>99,99	>99,99
Cantidad del filtro HEPA	2	2
Área total del filtro HEPA, ² pies/ ² m	54/5	27/2,5
Tipo de sistema de recolección de polvo	LONGOPAC	LONGOPAC
Mecanismo de limpieza del filtro	Pulso de chorro	Pulso de chorro

Datos	T 8600 Propane	S 36 Propane
Peso fuera de la caja, lb/kg	628/285	454/206
Dimensiones (LxAxH), pulg./mm	55 x 27 x 69/1400 x 700 x 1775	46 x 27 x 63/1170 x 693 x 1590
Tamaño del depósito de gasolina, máx. (DxH), pulg./mm. Consulte la Nota 2	12,2 x 23,5/310 x 600	12,2 x 23,5/310 x 600
Cantidad de gas en el depósito, máx., lb/kg. Consulte la nota 2	20/10	20/10
Peso del depósito de gas (gas incluido), máx. lb/kg. Consulte la nota 2	50/25	50/25
Combustible del motor	Consulte el manual del fabricante del motor.	
Aceite del motor		
Piezas del motor		
<p>Nota 1: como lo especifica el fabricante del motor. La calificación indicada de potencia de los motores corresponde a la salida de potencia neta promedio (en la RPM especificada) de un motor de producción típico para el modelo de motor medido según ISO3046, SAE J1940/J1995. Los motores de producción masiva podrían diferir de este valor. La salida real de potencia del motor instalado en el producto final dependerá de la velocidad de funcionamiento, las condiciones medioambientales y otras variables.</p> <p>Nota 2: Utilice solo depósitos de gas que cumplan con las especificaciones DOT. Consulte a su distribuidor autorizado.</p>		

SERVICIO

Servicio



ADVERTENCIA: Antes de limpiar y realizar tareas de mantenimiento a la máquina, debe desactivarla y desconectar la batería y el depósito de propano.



AVISO: Espere hasta que el impulsor del ventilador se detenga por completo, y luego realice tareas de mantenimiento a la máquina. El escape se calienta mucho, incluso si el motor se pone en marcha durante solo un breve período.

- Si es posible, utilice una habitación especial y adecuada.
 - Se debe utilizar equipo adecuado de protección personal. Es posible que el polvo se disperse durante el reemplazo del filtro de partículas gruesas y el filtro principal, lo cual puede ser perjudicial para la salud. En consecuencia, el usuario debe usar gafas y guantes protectores y una máscara respiratoria en conformidad con la categoría de protección FFP3.
 - Todas las piezas contaminadas después del mantenimiento se deben desechar en bolsas plásticas y según corresponda en conformidad con todas las normativas locales.
 - Si la máquina se debe utilizar para otros fines, es muy importante que se encuentre limpia para evitar la propagación de polvo perjudicial.
 - No perforo el filtro HEPA para evitar la dispersión del polvo.
 - La distancia correcta entre las placas del embrague es de 0,5 mm (-0,2 + 0,3)
- Evite limpiar con un limpiador de alta presión. Si es necesario, no se concentre en las aberturas del dust extractor, especialmente en la abertura del enfriamiento de aire.
 - Antes de mover el dust extractor del área de trabajo, este se debe limpiar y la admisión se debe bloquear mediante la válvula de admisión.
 - Se debe considerar que todos los demás equipos están contaminados y se deben tratar como corresponde.

Piezas de repuesto y sistema de recolección de filtros y polvo

N.º de pieza:	Descripción	T 8600 Propane	S 36 Propane
590429201	Longopac (4 bolsas)	1	1
590396101	Bolsas de plástico (25 unidades)	1	1
590438801	Prefiltro T 8600 Propane	1	N/D
590430202	Prefiltro S 36 Propane	N/D	1
590429801	CONDUCTO S DEL FILTRO HEPA	N/D	2
590435901	CONDUCTO T DEL FILTRO HEPA	2	N/D

Examinación de los neumáticos

Si el producto no arranca, inspeccione todas las conexiones de cables.

1. Retire el depósito de propano.
2. Abra la escotilla de la batería.
3. Examine si alguna conexión se encuentra suelta, dañada o desconectada.
4. Repare o reemplace los cables según sea necesario.

Examinación de los conductos y el depósito de LPG o propano



AVISO: Todos los productos están equipados con sistemas de protección de la integridad del combustible. Si se ocurre un problema con el combustible, comuníquese con un centro de servicios autorizado.

Tenga en cuenta: Procure medir el depósito de LPG a medida que lo abastezcan y nunca abastecerlo en exceso. El depósito de LPG se diseñó para resistir un máximo de 20 libras de propano. El peso bruto de un depósito lleno no debería superar las 48 libras.

Cada depósito se sometió a pruebas de presión y fugas. Sin embargo, cada vez que se abastece un depósito o un depósito se conecta a la máquina:

1. Procure que los acopladores estén alineados y atornillados de manera manual y firme uno junto al otro. Bajo ninguna circunstancia debe utilizar una herramienta para conectar el depósito a la máquina. Si no se realiza correctamente, el combustible no pasará a través del regulador.
2. Realice una prueba de protocolo simple de acceso de objetos mediante la presurización de todos los conductos de LPG.
3. Vaporice cada pulgada del conducto y todas las conexiones. Si detecta una fuga, comuníquese con un centro de servicio autorizado.

Durante el funcionamiento del extractor de polvo:

Si el depósito se abasteció en exceso, aparecerá una estructura de escarcha en los conductos de LPG o el regulador.

4. Apague el extractor de polvo o se producirán daños.
5. El exceso de propano en el depósito se debe ventilar de forma segura, consulte *SEGURIDAD en la página 18*.
6. En algunos casos, el regulador se debe descongelar antes de volver a arrancar el extractor de polvo.

GARANTÍA

Garantía

Todos los dispositivos y accesorios de Husqvarna cuentan con una garantía de fábrica de 12 meses correspondiente a la compensación por defectos de fábrica o de los materiales. Si durante la devolución entrega el formulario de garantía que venía adjunto, la garantía se extenderá por 36 meses. No intente reparar el mecanismo de aspiración sin la autorización del fabricante.

La garantía no cubre los defectos de la cubierta, los cuales pueden ser producto del desgaste y el deterioro normales, una negligencia, un uso inadecuado, una reparación no autorizada o la conexión del mecanismo de aspiración a una tensión incorrecta.

Si necesita presentar una queja, debe devolver el mecanismo de aspiración o una pieza acordada de este a nosotros o a un representante autorizado con el fin de examinar la garantía y para casos en los que se desee aplicar la garantía a reparaciones o reemplazos.

Table des matières

INTRODUCTION.....	29	DÉPANNAGE.....	38
SÉCURITÉ.....	32	TRANSPORT ET ENTREPOSAGE.....	39
POSE.....	34	DONNÉES TECHNIQUES.....	40
UTILISATION.....	34	SERVICE.....	41
ENTRETIEN.....	37	GARANTIE.....	42

INTRODUCTION

Description du produit

Cher client,

Merci d'avoir choisi Husqvarna comme fournisseur.

Nous espérons que ce produit alimenté par Aztec/ Kawasaki et par Aztec/Honda vous satisfera et répondra à vos attentes.

Veillez lire attentivement les règles de sécurité et le manuel d'utilisation complet avant d'utiliser l'extracteur de poussière. Ce manuel vise uniquement l'extracteur de poussière S 36 Propane / T 8600 Propane.

Husqvarna ne peut pas être tenue responsable si l'extracteur de poussière est utilisé à d'autres fins ou s'il

a été utilisé d'autres façons que celles décrites dans ce manuel d'utilisation.

Assurez-vous de lire attentivement et de bien comprendre les instructions du produit principal pour vous assurer de savoir quel équipement personnel porter, quel équipement de sécurité utiliser et comment travailler de manière sécuritaire.

Toutes les pièces de rechange utilisées pour l'extracteur de poussière S 36 Propane / T 8600 Propane doivent être celles indiquées par Husqvarna. Les pièces de rechange pour le moteur sont indiquées par le fabricant du moteur.



ATTENTION!

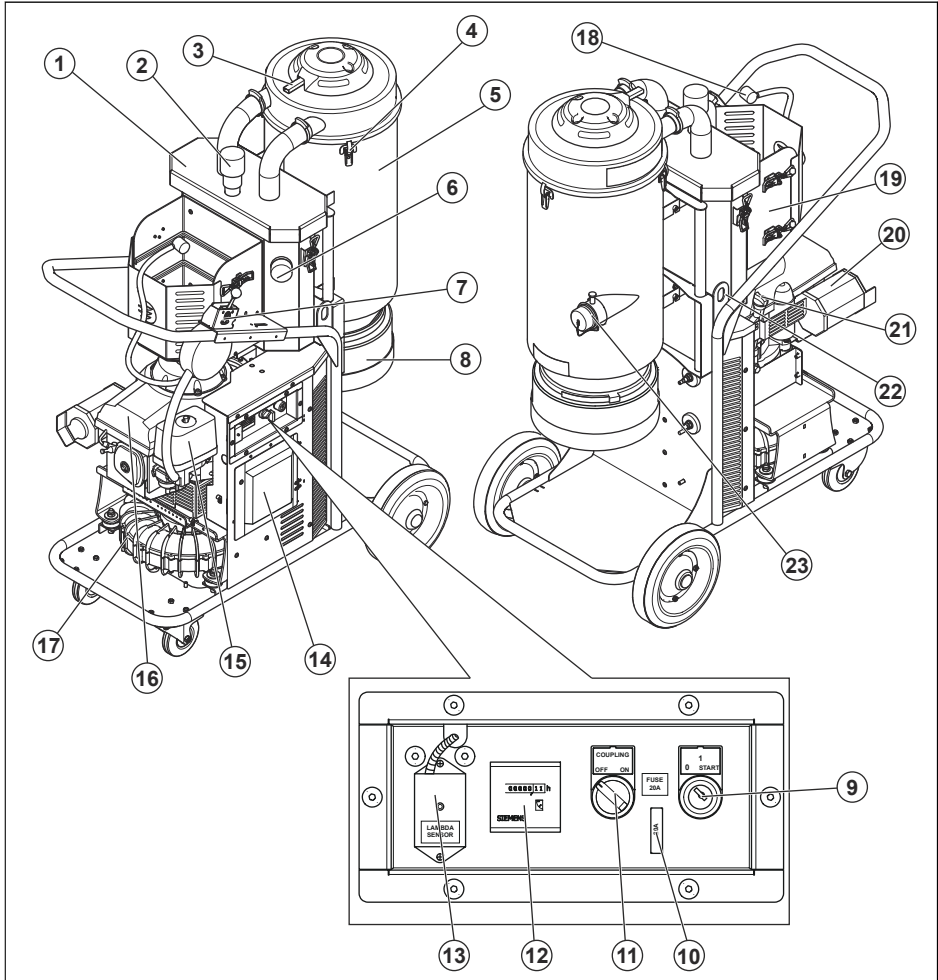
Les émissions du moteur de cet outil contiennent des produits chimiques qui, d'après l'État de Californie, peuvent causer le cancer, des malformations congénitales ou autre danger pour la reproduction.

Utilisation prévue

L'extracteur de poussière S 36 Propane / T 8600 Propane est destiné à un usage commercial.

Le produit est conçu pour aspirer et séparer des poussières sèches non combustibles dont la valeur limite d'explosion est supérieure à 0,1 mg/m³.

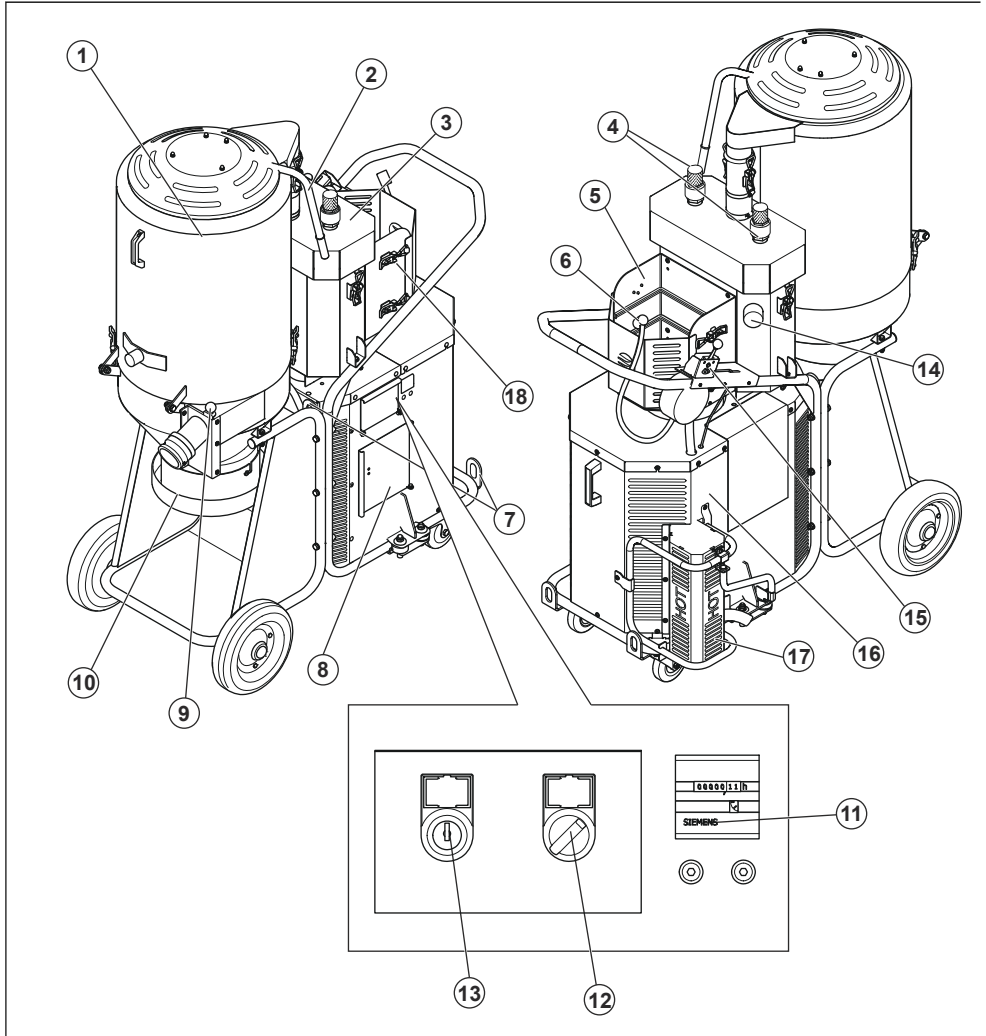
Présentation du produit S 36



1. Filtre HEPA
2. Clapet de décharge
3. Poignée à jet pulsé
4. Fixation à bascule
5. Préfiltre
6. Manomètre
7. Réglage de l'accélérateur
8. Raccordement LONGOPAC
9. Marche-arrêt
10. Fusible
11. Raccord
12. Compteur horaire

13. Indicateur du capteur d'émissions
14. Capot de batterie
15. Filtre à air du moteur
16. Moteur
17. Ventilateur d'aspiration
18. Raccord de propane
19. Porte-réservoir de propane
20. Silencieux
21. Remplissage d'huile moteur
22. 2 crochets d'arrimage
23. Bouchon d'admission

Présentation du produit T 8600



- | | |
|-------------------------------|--|
| 1. Préfiltre | 11. Compteur horaire |
| 2. Poignée à jet pulsé | 12. Raccord |
| 3. Filtre HEPA | 13. Marche-arrêt |
| 4. Clapet de décharge | 14. Manomètre |
| 5. Porte-réservoir de propane | 15. Réglage de l'accélérateur |
| 6. Raccord de propane | 16. Capot de remplissage d'huile moteur trappe |
| 7. 4 crochets d'arrimage | 17. Silencieux |
| 8. Capot de batterie | 18. Fixation à bascule |
| 9. Soupape d'admission | |
| 10. Raccordement LONGOPAC | |

Symboles figurant sur l'appareil

Risque de dispersion de poussière – utilisez un équipement de sécurité personnelle.



Lire attentivement le manuel d'utilisation et veiller à bien comprendre les instructions avant d'utiliser le produit.



De la poussière nocive peut être répandue lors du remplacement du filtre. Par conséquent, l'utilisateur doit porter des lunettes de protection, des gants de protection et un masque respiratoire conforme à la classe de protection FFP3.



Fonction du papillon des gaz, réglage du régime



AVERTISSEMENT! La poussière peut occasionner des blessures si elle est inhalée. Utiliser un masque filtrant approprié. Éviter d'inhaler les gaz d'échappement. Toujours assurer une bonne ventilation.



Le propane est hautement inflammable et explosif.



Ne pas utiliser les crochets d'arrimage pour soulever la machine, car ils ne sont pas équilibrés pour le levage.

SÉCURITÉ

Définitions relatives à la sécurité

Les avertissements, recommandations et remarques soulignent des points du manuel d'utilisation qui revêtent une importance particulière.



AVERTISSEMENT : Indique la présence d'un risque de blessure ou de décès de l'utilisateur ou de personnes à proximité si les instructions du manuel ne sont pas suivies.



MISE EN GARDE : Indique la présence d'un risque de dommages au produit ou à l'outil, à d'autres appareils ou à la zone adjacente si les instructions du manuel ne sont pas suivies.

Remarque : Utilisé pour donner des renseignements plus détaillés qui sont nécessaires dans une situation donnée.

Consignes générales de sécurité

- Toujours faire preuve d'attention et de bon sens. En cas d'appréhension, arrêter la machine et demander l'avis d'un expert. Communiquer avec le distributeur, l'agent de maintenance ou un utilisateur expérimenté. Ne pas tenter d'effectuer des tâches si vous avez des doutes!

- Respecter tous les renseignements affichés sur le produit et la bouteille de gaz de pétrole liquéfié. Ne jamais laisser quelqu'un non formé utiliser l'extracteur de poussière ni quelqu'un qui n'a pas lu ou qui ne peut pas comprendre les consignes données.
- Lire attentivement le manuel d'utilisation et veiller à bien comprendre les instructions avant d'utiliser le produit. Conserver ces instructions et consignes pour consultation ultérieure.
- Garder en tête que c'est vous, l'opérateur, qui êtes responsable de protéger les personnes et leurs biens de tout accident ou danger.
- L'extracteur de poussière doit être propre. Les signes et les autocollants doivent être entièrement lisibles.

Consignes de sécurité pour l'utilisation



AVERTISSEMENT : La coupe et le meulage, en particulier la coupe à sec, produisent de la poussière qui provient du matériau coupé, qui contient souvent de la silice. La silice est un composant de base du sable, du quartz, de la brique d'argile, du granit et de nombreux autres pierres et minéraux. L'exposition à une quantité excessive de ces poussières peut entraîner :

- une maladie respiratoire (réduisant la capacité à respirer), notamment la bronchite chronique, la silicose et la

fibrose pulmonaire causée par l'exposition à la silice. Ces maladies peuvent être fatales!

- Des irritations et éruptions cutanées.
- Le cancer selon le programme de toxicologie national et le Centre international de recherche sur le cancer.

Prendre les précautions suivantes :

- Éviter l'inhalation et le contact cutané avec les poussières, brouillards et fumées.
- Porter et veiller à ce que les personnes à proximité portent un dispositif de protection respiratoire approprié, tel un masque antipoussières filtrant les particules microscopiques. (Voir OSHA 29 CFR Part 1910.1200)
- Dans la mesure du possible, effectuer des coupes humides afin de réduire la production de poussières.



AVERTISSEMENT : Ne pas utiliser ce produit dans un environnement où se trouve une source d'allumage potentielle. Le tabagisme, les étincelles et les flammes sont interdits près du produit, du moteur ou de la bouteille de gaz de pétrole liquéfié.



AVERTISSEMENT : Si vous sentez du gaz :

- Arrêter immédiatement l'appareil.
- Ouvrir des fenêtres.
- Vérifier l'absence de fuites.
- Ne pas toucher aux commutateurs électriques.
- Éteindre toute flamme nue.
- Communiquer avec un réparateur professionnel.



AVERTISSEMENT : Ne jamais modifier l'équipement de commande du propane. Il est précisément réglé pour alimenter la machinerie en produisant un niveau minimal de monoxyde de carbone. Modifier l'équipement de commande pourrait occasionner des niveaux d'émissions dangereux du moteur.



AVERTISSEMENT : Le S 36 Propane / T 8600 Propane est livré avec une bouteille de propane dotée d'un dispositif de protection contre les débordements. Si vous possédez une ancienne bouteille de gaz de pétrole liquéfié trop pleine, toujours la purger à l'extérieur, à l'écart de zones fermées où le gaz peut s'accumuler et à l'écart de tout feu et tout appareil qui produit des flammes et

des étincelles. Utiliser un tournevis pour purger l'excès de propane, lequel s'échappe sous forme de brouillard blanc. Pendant la purge, le propane est transparent lorsque le bon niveau de la bouteille est atteint.



AVERTISSEMENT : Tous les extracteurs de poussière alimentés au propane sont conçus spécialement pour être utilisés avec une bouteille de propane verticale de 20 lb (5 gallons) à extraction de vapeurs. L'utilisation d'une configuration différente de bouteille d'alimentation liquide est dangereuse et pourrait provoquer un incendie ou une explosion, et annulera la garantie.



AVERTISSEMENT : Les gaz d'échappement du moteur sont chauds et peuvent contenir des étincelles qui peuvent causer un incendie. Toujours garder un équipement de lutte contre les incendies à portée de main. Ne jamais démarrer l'appareil à l'intérieur ou à proximité de matériaux combustibles!



AVERTISSEMENT : L'utilisation d'un moteur dans un endroit clos ou mal ventilé peut entraîner la mort par asphyxie ou l'intoxication au monoxyde de carbone. Prendre des précautions contre l'exposition aux émissions de monoxyde de carbone (CO). Porter des macarons de détection de monoxyde de carbone pendant l'utilisation dans des espaces confinés. Utiliser l'appareil seulement à l'extérieur ou dans des zones bien ventilées. Les bâtiments doivent être dotés de ce qui suit :

- une ventilation naturelle ou une ventilation mécanique continue qui élimine les produits de la combustion à l'extérieur d'une capacité d'au moins 300 pi³/min pour chaque 10 000 BTUH ou une fraction de ceux-ci, et ce, fondé sur un maximum d'échange d'air d'un quart par heure pour le volume net du bâtiment.



AVERTISSEMENT : L'exposition prolongée au bruit peut causer des lésions auditives permanentes. Toujours utiliser un dispositif de protection homologué pour les oreilles. Rester attentif aux appels ou cris d'avertissement lorsque vous portez des protecteurs d'oreilles. Toujours enlever les protecteurs d'oreilles dès que le moteur s'arrête.



AVERTISSEMENT : Cet appareil peut être dangereux s'il est utilisé incorrectement ou avec insouciance; il peut causer des blessures graves ou mortelles à l'opérateur ou à des personnes à proximité.



AVERTISSEMENT : Ne jamais laisser des enfants ni des personnes n'ayant pas été formées à l'utilisation du produit l'utiliser ou l'entretenir. Ne laissez jamais des gens utiliser le produit sans d'abord s'assurer qu'ils ont lu et compris le contenu du manuel de l'opérateur.



AVERTISSEMENT : Ne jamais utiliser l'appareil si vous êtes fatigué ou sous l'emprise de drogues, de l'alcool, de médicaments ou de toute substance qui pourrait affecter la vision, l'attention, la coordination des gestes ou le jugement.



AVERTISSEMENT : Les modifications et/ou les accessoires non autorisés peuvent entraîner des blessures graves ou la mort de l'utilisateur ou d'autres personnes.



AVERTISSEMENT : Ne pas modifier ce produit ou l'utiliser s'il semble avoir été modifié par d'autres.



AVERTISSEMENT : Ne jamais utiliser un appareil défectueux. Effectuer les

vérifications de sécurité, de maintenance et d'entretien conformément aux instructions fournies dans ce manuel. Certaines mesures de maintenance et d'entretien doivent être effectuées par des spécialistes formés et qualifiés. Consulter les instructions présentées à la section *ENTRETIEN à la page 37*.



AVERTISSEMENT : Toujours utiliser des accessoires d'origine.



AVERTISSEMENT : S'assurer que la zone d'assemblage est ferme, de sorte que l'extracteur de poussière ne se renverse pas. Risque de blessures et de dégâts matériels.



AVERTISSEMENT : Risque de pincement lors de la manipulation des fixations à bascule.



MISE EN GARDE : Lorsque la bouteille de gaz est fixée sur la machine et que celle-ci n'est pas en marche, le robinet de la bouteille doit se trouver en position **FERMÉE**.

POSE

Généralités

Pendant le déballage du produit, vérifier que les accessoires suivants sont inclus :

- flexible avec raccords d'extrémité
- tube en acier
- buse de sol

Si l'une des pièces mentionnées ci-dessus est manquante, communiquer avec son distributeur local ou notre représentant commercial.

Pour les modèles dont les roulettes avant ne sont pas déjà assemblées en raison de contraintes imposées par l'emballage :

- monter les roulettes avant à l'aide du boulon ou de l'écrou et de la rondelle compris dans l'emballage, en fonction de l'application.

Veillez éliminer les matériaux d'emballage et les composants du produit utilisés en respectant l'environnement, conformément aux réglementations locales en matière d'élimination. Toujours recycler.

UTILISATION

Introduction

L'air chargé de poussière est aspiré à grande vitesse par la soupape d'admission, par l'entremise du flexible d'aspiration. Le cyclone ralentit l'air et sépare les grosses particules de poussière par la force centrifuge et la gravité. Le double système de filtre sépare ensuite

l'air et les particules plus fines. L'extracteur de poussière est conçu pour nettoyer le filtre par circulation inversée d'air pulsé.

La poussière séparée s'accumule dans le cyclone jusqu'à l'arrêt du produit, à quel moment elle tombe dans le sac de plastique par le clapet de fond. Le

processus de nettoyage du filtre n'est pas terminé tant qu'il n'est pas clair que la poussière à l'intérieur du réservoir soit tombée dans le sac de ramassage. Dans certains cas extrêmes, la capacité adhésive de la poussière doit être éliminée manuellement. Ceci peut se faire en frappant la poussière à travers le sac ou en frappant sur le boîtier de préfiltre.

Avant l'utilisation

Avant l'utilisation, l'opérateur doit être formé au maniement de l'extracteur de poussière et au sujet des poussières dangereuses.



AVERTISSEMENT : Avant de démarrer le moteur, vérifier le tableau d'entretien pour connaître l'entretien journalier.



AVERTISSEMENT : Quand le moteur tourne, l'échappement contient des produits chimiques comme des hydrocarbures non brûlés et du monoxyde de carbone. Les gaz d'échappement sont connus pour causer des problèmes respiratoires, le cancer, des malformations congénitales ou d'autres problèmes liés à la reproduction. Le monoxyde de carbone est incolore et sans saveur, mais il est toujours présent dans les gaz d'échappement. Le début de l'empoisonnement au monoxyde de carbone se caractérise par de légers vertiges, qui peuvent ne pas être reconnus par la victime. Une personne peut s'effondrer et perdre connaissance sans aucun avertissement si la concentration de monoxyde de carbone est suffisamment élevée. Comme le monoxyde de carbone est incolore et inodore, sa présence ne peut pas être détectée. Dès que des odeurs de gaz d'échappement sont perçues, du monoxyde de carbone est présent.

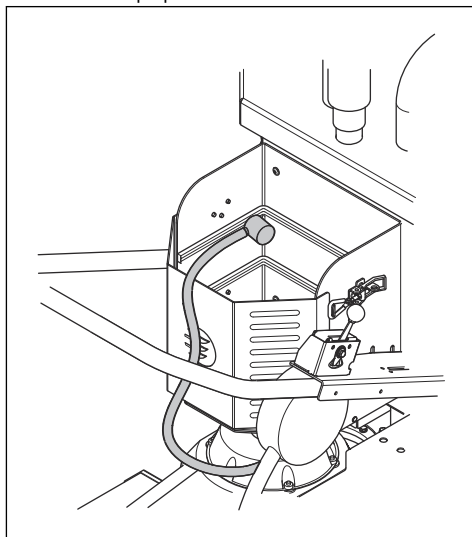
Branchement de la batterie

- S'assurer que les câbles sont fermement reliés aux bornes adéquates, rouge (+) en premier, noir (-) en deuxième. Débrancher la batterie dans l'ordre inverse.
- S'assurer que le support qui maintient la batterie en place est correctement assemblé, de façon à ce que la batterie ne bouge pas pendant le fonctionnement.

Raccordement de la bouteille de propane

1. S'assurer que la bouteille est fermement maintenue en place par les verrous et la plaque-support. Elle ne doit pas bouger quand elle est bien fixée.

2. Brancher le flexible de l'extracteur de poussière à la bouteille de propane.



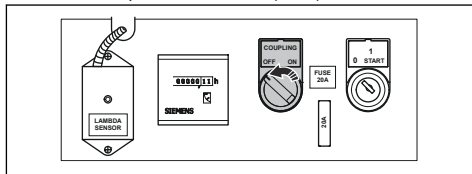
3. S'assurer que les raccords sont alignés et fermement vissés ensemble à la main. Ne jamais raccorder la bouteille à la machine à l'aide d'un outil. Si cela n'est pas fait correctement, le carburant ne circulera pas dans le régulateur.
4. Mettre toutes les conduites de gaz de pétrole liquéfié sous pression pour effectuer un essai au savon. Voir *Vérification de la bouteille et des conduites de propane ou de gaz de pétrole liquéfié à la page 42.*

Démarrage et arrêt

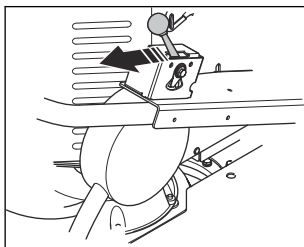


MISE EN GARDE : Avant de démarrer l'extracteur de poussière, s'assurer que la soupape d'admission est ouverte et que l'embrayage est désengagé.

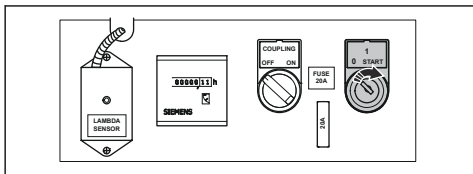
1. Ouvrir le robinet de la bouteille de propane en le tournant dans le sens contraire des aiguilles d'une montre.
2. S'assurer que le commutateur d'embrayage se trouve à la position « OFF » (arrêt).



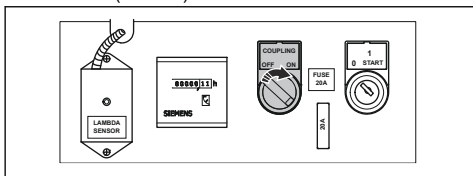
3. S'assurer que la poignée d'accélération est à la plus basse vitesse.



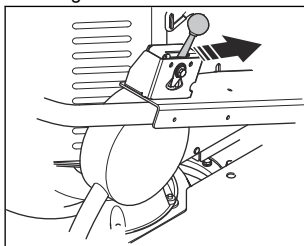
4. Démarrer le moteur à l'aide de la clé; tourner la clé et la maintenir en position « START » (démarrage) et la relâcher quand le moteur tourne. La clé pointe maintenant le « 1 ».



5. Lorsque le moteur s'est réchauffé et qu'il tourne au ralenti, engager l'embrayage. Placer le commutateur à « ON » (marche).



6. L'air chargé de poussière est alors aspiré par la soupape d'admission, par l'entremise du flexible d'aspiration.
7. Enfoncer la poignée d'accélération pour augmenter le régime.



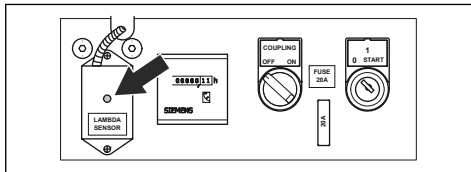
8. Pour arrêter l'extracteur de poussière, couper le gaz au robinet de service et laisser le propane dans les conduites de carburant se consommer. Répéter les étapes dans l'ordre inverse.

Redémarrage du produit quand le voyant du capteur d'émissions est allumé



AVERTISSEMENT : L'extracteur de poussière s'arrête quand les niveaux d'émissions de monoxyde de carbone sont trop élevés dans la zone de travail.

1. Vérifier que le voyant du capteur d'émissions sur le tableau de bord est allumé.



2. Fermer le robinet de gaz sur la bouteille.
3. Tourner la clé à la position « 0 ».
4. Tourner le « RACCORD » à la position « OFF » (arrêt).
5. Évacuer la zone et la laisser s'aérer.
6. S'assurer que le voyant est éteint, puis redémarrer l'extracteur de poussière.

Silencieux



AVERTISSEMENT : Ne jamais utiliser un appareil sans silencieux ou dont le silencieux est défectueux. Un silencieux endommagé peut considérablement augmenter le niveau de bruit et le risque d'incendie. Garder un équipement de lutte contre les incendies à portée de main.

Le silencieux devient très chaud pendant et après utilisation. C'est également le cas au ralenti. Rester conscient du risque d'incendie, surtout lors de l'utilisation à proximité de substances et/ou de vapeurs inflammables. Le silencieux est conçu pour maintenir le niveau de bruit au minimum et diriger les gaz d'échappement loin de l'utilisateur.

Vérifier régulièrement que le silencieux est complet et correctement fixé.

Nettoyage du filtre



MISE EN GARDE : Si l'aspiration ne s'améliore pas, le préfiltre doit être remplacé. Si l'aspiration ne s'améliore toujours pas, les filtres HEPA doivent être remplacés. Voir les instructions à la section *Pour changer le filtre HEPA à la page 37.*

Le filtre doit être nettoyé de temps en temps. Il faut le faire avant de changer le système de collecte à sac de

plastique, et il faut également le faire lorsque le travail est terminé ou lorsque l'aspiration est insuffisante.

1. Pendant que l'extracteur de poussière fonctionne, boucher l'admission à l'aide du bouchon d'admission ou de la soupape d'admission (T 8600 Propane).
2. Laisser le dust extractor générer un vide pendant 5 secondes, puis appuyer rapidement sur la poignée à jet pulsé et la garder enfoncée pendant 5 secondes.
3. Répéter l'étape 2 à cinq reprises. Il est important de laisser le dust extractor générer de nouveau un vide entre chaque répétition.
4. Si l'aspiration ne s'améliore pas, le filtre doit être remplacé. Remplacer le sac de plastique seulement après avoir nettoyé le filtre.

ENTRETIEN

Calendrier d'entretien S 36 Propane / T 8600 Propane

Remarque : Voir le manuel du fabricant du moteur pour obtenir les renseignements sur l'entretien du moteur.

Fonctionnement	Quotidien	8 heures.	50 heures.
Vérifier le niveau d'huile du moteur et en ajouter.	X		
Vérifier si les fixations sont serrées ou manquantes	X		
Vérifier la présence de fuites d'huile	X		
Inspecter le flexible et les raccords de carburant	X		
Vérifier le filtre à poussière du moteur	X		
Nettoyer le filtre à poussière du moteur. Voir remarque 1	X		
Inspecter le papillon des gaz et son câble	X		
Vidanger l'huile moteur. Voir remarque 2		X	X
Remplacer le filtre à huile du moteur. Voir remarque 3		X	
Inspecter la batterie et ses branchements			X
Inspecter l'embrayage magnétique			X

Remarque 1 : Effectuer l'entretien plus fréquemment en cas d'utilisation dans des endroits poussiéreux.

Remarque 2 : Vidanger l'huile moteur après les 8 premières heures de fonctionnement, puis toutes les 50 heures par la suite.

Remarque 3 : Remplacer le filtre à huile moteur après les 8 premières heures de fonctionnement, puis suivez les instructions d'entretien du manuel du fabricant du moteur.

Avant de changer le filtre

- Nettoyer le filtre conformément aux instructions de la section *Nettoyage du filtre à la page 36*.
- Arrêter le moteur et attendre que le ventilateur s'immobilise avant d'ouvrir le dust extractor pour remplacer les filtres. Le moteur n'a qu'à tourner pendant une courte période pour que les gaz d'échappement deviennent très chauds.

Pour changer le filtre HEPA



MISE EN GARDE : Ne pas nettoyer les filtres HEPA. Le nettoyage d'un filtre HEPA entraîne sa destruction. Lors de l'installation du nouveau filtre, s'assurer de ne pas toucher l'intérieur du filtre. Toute force exercée à l'intérieur du filtre ou tout dommage à cet endroit entraîne la destruction du filtre neuf.

Remarque : Intervalles recommandés de remplacement des filtres : Le préfiltre tous les 6 mois et les filtres HEPA tous les 12 mois.

1. Desserrer les loquets sur le couvercle de filtre.
2. Soulever délicatement le filtre et le placer dans un sac de plastique propre, lequel doit être éliminé adéquatement.
3. Insérer un filtre neuf dans l'ordre inverse.

Pour remplacer le préfiltre, T 8600 Propane



AVERTISSEMENT : Arrêter le dust extractor.

1. Desserrer les deux loquets situés entre le réservoir et le cyclone inférieur.
2. Desserrer les deux loquets au niveau du raccordement de flexible, entre le réservoir et le couvercle du filtre HEPA.
3. Pivoter le réservoir vers l'avant.
4. Pivoter la plaque de filtre de 10 degrés dans le sens contraire des aiguilles d'une montre et renverser délicatement le filtre et le support.
5. Placer un sac de plastique sur le filtre.
6. Soulever le filtre avec précaution et pincer le sac à la main, puis attacher le sac. Ce sac doit être éliminé adéquatement.
7. Insérer un ensemble complet de filtre neuf dans l'ordre inverse. Il faut utiliser seulement des filtres d'origine.

Pour remplacer le préfiltre, S 36 Propane



MISE EN GARDE : Au moment de retirer le préfiltre à des fins de nettoyage, utiliser uniquement de l'eau à basse pression de l'intérieur vers l'extérieur. Le fait de frapper

le filtre avec force, de le laver à l'aide d'eau à haute pression ou d'utiliser de l'air comprimé détruit le filtre. Le filtre doit être parfaitement sec avant de le réinstaller dans son boîtier.

1. Desserrer les 3 colliers et retirer la partie supérieure.
2. Prendre le sac du filtre neuf.
3. Sortir le filtre et le placer délicatement dans un sac de plastique. Ce sac doit être éliminé adéquatement.
4. Insérer un filtre neuf.

Assemblage d'un nouveau sac LONGOPAC



MISE EN GARDE : Tous les extracteurs de poussière peuvent être utilisés avec des sacs à poussière Husqvarna d'origine à utilisation unique. De plus, tous les modèles peuvent être dotés du système LONGOPAC. Remplacer les sacs LONGOPAC ou les sacs ordinaires seulement une fois le cycle de nettoyage du filtre effectué.

En fonction du modèle, les extracteurs de poussière sont principalement dotés du système LONGOPAC pour stocker la poussière de façon efficace ou d'un système ordinaire de sac de plastique. Le système LONGOPAC se compose d'un long tube en plastique de 22 m (72 pi) qui sera divisé en sacs de plastique à l'aide d'attaches autobloquantes fournies avec le produit.

1. Relâcher la sangle qui retient le dernier sac.
2. Retirer le support, installer un nouveau sac LONGOPAC et tirer l'extrémité intérieure vers le haut.
3. Assembler le support sur le dust extractor et fixer à la sangle l'ouverture orientée vers le haut.
4. Tirer l'extrémité extérieure vers le bas et la fermer à l'aide d'une attache autobloquante.

DÉPANNAGE

Dépannage

L'extracteur de poussière S 36 Propane / T 8600 Propane est conçu et fabriqué pour réaliser des tâches difficiles dans des environnements difficiles, mais l'utilisateur doit noter que le produit doit être protégé contre les chocs et les coups. Le filtre, les joints

d'étanchéité, les pièces de fixation et les raccordements sont soigneusement adaptés et sélectionnés en fonction de l'environnement de travail de l'opérateur. Par conséquent, l'opérateur et le personnel d'entretien doivent traiter le dust extractor avec précaution pour qu'il fonctionne correctement pendant de nombreuses années.

Problème	Causes	Solution
Le moteur ne démarre pas	Pas de gaz	Remplacer la bouteille de gaz, vérifier le flexible et le régulateur de carburant
	Aucune étincelle	Consulter le manuel d'entretien du moteur
	Batterie déchargée	Remplacer la batterie par une batterie complètement chargée
	Commutateur défectueux	Le remplacer
	Capteur de basse pression d'huile	Vérifier le niveau d'huile et faire l'appoint si nécessaire
	Capteur d'émissions	Aérer la zone et attendre que le voyant rouge du capteur s'éteigne
	Le démarreur ne fonctionne pas	Vérifier le fusible
Le ventilateur ne s'enclenche pas	Embrayage usé ou cassé	Vérifier le fusible et le remplacer au besoin
Le moteur et le ventilateur tournent, mais il n'y a pas d'aspiration	Le flexible n'est pas raccordé	Raccorder le flexible
	Le flexible est bouché ou bloqué	Nettoyer le flexible
	Aucun sac de plastique	Installer un sac de plastique
Le moteur et le ventilateur tournent, mais l'aspiration est faible	Flexible endommagé	Remplacer le flexible
	Le filtre est bouché	Nettoyer ou remplacer le filtre
	Couvercle supérieur desserré	Le serrer
	Saleté dans le clapet	Nettoyer le clapet
Le moteur rejette de la poussière	Système de filtres mal assemblé ou endommagé	Ajuster ou remplacer les filtres
Bruit anormal		Demander un entretien

TRANSPORT ET ENTREPOSAGE

Transport du produit

- Pendant le transport, immobiliser le produit afin d'éviter les dommages et les accidents dus au transport. Utiliser les crochets d'arrimage installés en usine sur la machine pour empêcher tout mouvement pendant le transport.
- Pendant le transport, la batterie et la bouteille de propane doivent être fixées solidement et complètement débranchées à tout moment.
- Si le moteur a tourné, le laisser refroidir pendant au moins 15 minutes avant de charger l'équipement à

moteur sur le véhicule de transport. Un moteur et un système d'échappement chauds peuvent causer des brûlures et enflammer certains matériaux.

- Avant d'utiliser l'extracteur de poussière après le transport, la bouteille de propane et la batterie doivent être rebranchées et assemblées correctement. Voir *Branchement de la batterie à la page 35* et *Raccordement de la bouteille de propane à la page 35* pour obtenir de plus amples renseignements.

Entreposage du produit

- Avant d'entreposer le produit à long terme, s'assurer qu'il est bien nettoyé et en effectuer l'entretien complet.
- Toujours entreposer l'équipement à l'écart des salles de chauffage, des chauffe-eau au gaz ou de toute autre source de flamme nue ou d'allumage. Le système d'échappement devient très chaud et prend plusieurs minutes pour se refroidir. Il faut donc se tenir à l'écart ainsi que tout matériau.
- Dans des endroits de type entrepôt, toujours entreposer l'équipement à l'écart de tout objet qui pourrait tomber et possiblement endommager l'équipement.
- Toujours entreposer les bouteilles de gaz de pétrole liquéfié à l'extérieur. Sortir toutes les bouteilles de propane à l'extérieur de l'immeuble, sauf quand l'équipement est utilisé. Ranger les bouteilles de propane dans une zone sécurisée et bien aérée.
- Avant d'utiliser l'extracteur de poussière après l'entreposage, la bouteille de propane et la batterie doivent être rebranchées et assemblées correctement. Voir *Branchement de la batterie à la page 35* et *Raccordement de la bouteille de propane à la page 35* pour obtenir de plus amples renseignements.

DONNÉES TECHNIQUES

Données techniques

Données	T 8600 Propane	S 36 Propane
Fabricant du moteur	Kawasaki, propane converti par Aztek	Honda, propane converti par Aztek
Puissance du moteur, ch / kW. Voir remarque 1	18 ch / 13,4 kW	11 ch / 7,6 kW
Démarrreur	Électrique	
Type de batterie (recommandé)	Plomb-acide	Plomb-acide
Tension de batterie, V c.c.	12 V c.c.	12 V c.c.
Taille de la batterie, max (longueur x largeur x hauteur), po / mm	5.9x3.4x5.7 / 150x88x145	5.9x3.4x5.7 / 150x88x145
Capacité de la batterie, min (Ah)	12	12
Intensité de démarrage à froid, min	220	220
Débit d'air maximal, CFM / m ³ /h	410 / 700	285 / 484
Vide max., kPa	28	26
Élévation d'eau, pouces	110	102
Diamètre du flexible principal, po / mm	3 / 76	2,5 / 63
Longueur du flexible principal, pi / m	33 / 10	33 / 10
Diamètre de l'admission, in / mm	3 / 76	2 / 50
Préfiltre EN779-F8, 1 % @ 1 µm	99,5 %	99,5 %
Zone de préfiltre, pi ² / m ²	25 / 2,3	40 / 3,7
Filtre HEPA EN1822-H13, % @0,3 µm	Plus de 99,99	Plus de 99,99
Filtre HEPA, quantité	2	2
Zone totale du filtre HEPA, pi ² / m ²	54 / 5	27 / 2,5
Système de collecte de la poussière, Type	LONGOPAC	LONGOPAC

Données	T 8600 Propane	S 36 Propane
Mécanisme de nettoyage du filtre	Jet pulsé	Jet pulsé
Poids non emballé, lb / kg	628 / 285	454 / 206
Dimensions (longueur*largeur*hauteur), po / mm	55 x 27 x 69 / 1 400 x 700 x 1 775	46 x 27 x 63 / 1 170 x 693 x 1 590
Taille de la bouteille de gaz, max (diamètre x hauteur), po / mm. Voir remarque 2	12,2 x 23,5 / 310 x 600	12,2 x 23,5 / 310 x 600
Quantité de gaz dans la bouteille, max, lb / kg. Voir remarque 2	20 / 10	20 / 10
Poids de la bouteille de gaz (avec gaz), max. lb / kg. Voir remarque 2	50 / 25	50 / 25
Carburant moteur	Voir le manuel du fabricant du moteur.	
Huile moteur		
Pièces de moteur		
<p>Remarque 1 : Tel que spécifié par le fabricant du moteur. La puissance des moteurs indiquée est la puissance de sortie moyenne nette (aux tours par minute spécifiés) d'un moteur de production type pour le modèle de moteur, mesurée selon la norme ISO3046, SAE J1940/J1995. Les moteurs de production en série peuvent varier de cette valeur. La puissance de sortie réelle du moteur installé sur le produit final dépend de la vitesse de fonctionnement, des conditions environnementales et d'autres variables.</p> <p>Remarque 2 : Utiliser uniquement une bouteille de gaz conforme aux spécifications de la norme du DOT. Demander à son détaillant autorisé.</p>		

SERVICE

Service



AVERTISSEMENT : Avant de procéder au nettoyage et à l'entretien du produit, il faut l'arrêter et débrancher sa batterie et la bouteille de propane.



MISE EN GARDE : Attendre que le ventilateur soit complètement arrêté, puis effectuer l'entretien du produit. L'échappement devient très chaud, même si le moteur tourne pendant une courte période.

- Si possible, utilisez un local adéquat réservé à cette fin.
 - Il faut utiliser l'équipement de protection. La poussière peut se propager lorsque le filtre à grosses particules et le filtre absolu sont remplacés, ce qui peut être dangereux pour la santé. Par conséquent, l'utilisateur doit porter des lunettes de protection, des gants de protection et un masque respiratoire conforme à la classe de protection FFP3.
 - Toutes les pièces contaminées après l'entretien doivent être correctement éliminées dans des sacs de plastique conformément à tous les règlements locaux.
 - Si le produit doit être utilisé à d'autres fins, il est extrêmement important de le nettoyer pour éviter la propagation de poussières dangereuses.
 - Ne pas percer le filtre HEPA pour ne pas que la poussière ne se propage.
 - La distance correcte entre les disques d'embrayage est de 0,5 mm (-0,2 +0,3)
- Éviter le nettoyage à l'aide d'un nettoyeur haute pression. S'il est nécessaire de le faire, ne pas diriger le nettoyeur vers les ouvertures du dust extractor, et plus particulièrement l'ouverture de l'air de refroidissement.
 - Avant de sortir le dust extractor de la zone de travail, le dust extractor doit être nettoyé, et l'admission doit être verrouillée à l'aide de la soupape d'admission.
 - Tous les autres équipements doivent être considérés comme étant contaminés et être traités par après.

Pièces de rechange, filtres et système de collecte de la poussière

N° de pièce :	Description	T 8600 Propane	S 36 Propane
590429201	Longopac (4 sacs)	1	1
590396101	Sacs de plastique (25 sacs)	1	1
590438801	Préfiltre T 8600 Propane	1	S.O.
590430202	Préfiltre S 36 Propane	S.O.	1
590429801	FILTRE HEPA S-LINE	S.O.	2
590435901	FILTRE HEPA T-LINE	2	S.O.

Vérification des câbles

Vérifier tous les branchements de câble si le produit ne démarre pas.

1. Retirer la bouteille de propane.
2. Ouvrir la trappe de la batterie.
3. Vérifier la présence de branchements desserrés, endommagés ou débranchés.
4. Réparer ou remplacer les câbles, au besoin.

Vérification de la bouteille et des conduites de propane ou de gaz de pétrole liquéfié



MISE EN GARDE : Tous les produits sont dotés de circuits de carburant inviolables. En cas de problème au niveau du circuit de carburant, communiquer avec un centre d'entretien autorisé.

Remarque : S'assurer de peser la bouteille pendant son remplissage, et ne jamais remplir excessivement une bouteille de liquide de pétrole liquéfié. La bouteille de gaz de pétrole liquéfié est conçue pour contenir un maximum de 20 livres de propane. Le poids total d'une bouteille pleine ne doit pas dépasser 48 livres.

Chaque bouteille a fait l'objet d'un essai de pression et de fuite. Toutefois, dès qu'une bouteille est remplie ou raccordée au produit :

1. S'assurer que les raccords sont alignés et fermement vissés ensemble à la main, ne jamais effectuer le raccordement de la bouteille à la machine à l'aide d'un outil. Si cela n'est pas fait correctement, le carburant ne circulera pas dans le régulateur.
2. Mettre toutes les conduites de gaz de pétrole liquéfié sous pression pour effectuer un essai au savon.
3. Pulvériser chaque mm de conduite et tous les raccords. En cas de fuite, communiquer avec un centre d'entretien autorisé.

Pendant l'utilisation de l'extracteur de poussière :

Si la bouteille est trop remplie, du gel apparaîtra sur les conduites de gaz de pétrole liquéfié ou sur le régulateur.

4. Arrêter l'extracteur de poussière. Autrement, il sera endommagé.
5. L'excès de propane dans la bouteille doit être ventilé de façon sécuritaire, voir *SÉCURITÉ à la page 32*.
6. Dans certains cas, le régulateur doit être dégivré avant de redémarrer l'extracteur de poussière.

GARANTIE

Garantie

Tous les appareils et accessoires Husqvarna ont une garantie d'usine de 12 mois contre les défauts de matériaux et de fabrication. La garantie se prolonge jusqu'à 36 mois quand le bon de garantie est retourné. Ne pas tenter de réparer l'appareil d'aspiration sans l'accord du fabricant.

La garantie ne couvre pas les défauts qui sont le résultat de l'usure normale, de la négligence, d'une utilisation

inadéquate, de réparations non autorisées ou d'un branchement de l'appareil d'aspiration à une source de tension incorrecte.

En cas de plainte, l'appareil d'aspiration ou une pièce déterminée de celui-ci doit nous être renvoyé ou à notre représentant autorisé pour en déterminer l'admissibilité à la garantie et pour toute réparation ou tout remplacement au titre de la garantie.



www.husqvarnacp.com

Original instructions
Instrucciones originales
Instructions d'origine

1159618-49



2018-06-08