
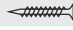
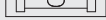









HARDWARE INCLUDED

- 2x Brackets 
- 4x Shelf Screws 
- 10x Wall Screws 
- 10x Sleeve Anchors 
- 10x Drywall Anchors 
- 1x Drill bit 
- 1x Bubble Level 

TOOLS REQUIRED

- Pencil 
- Electric Drill with Drill Bit 
- Screw Driver 
- Stud Finder 
- Level 

If you have any comments or questions, please reach out to us at:

CHAT WITH US
BalinDesigns@gmail.com

VISIT US ONLINE
BalinDesigns.com



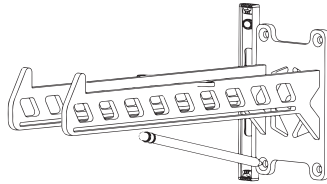
ASSEMBLY

Prepare the necessary tools and materials and determine the location of the shelf on the wall. For suggested load capacity on shelf, we recommend installing brackets into wall studs. Otherwise use included anchors for brick/concrete or drywall. For Shelving over 48" we recommend adding an additional bracket.

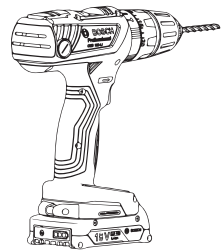
1. If mounting on studs, use a stud finder to locate the studs in the wall. Mark the location of each stud with a pencil.



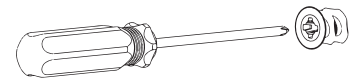
2. Hold a shelf bracket in its desired location. Use a level to ensure the bracket is vertically aligned. Mark the location of each screw hole with a pencil.



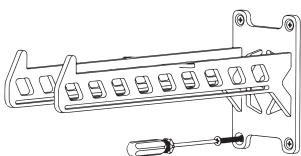
3. Use a 3/16" drill bit to drill holes into the pencil marks on the wall.



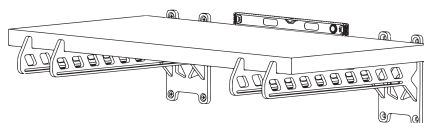
4. Insert the provided wall anchors into the holes and make sure they are flush against the wall. Use a hammer for the brick/concrete anchors. Use a screwdriver for the drywall anchors.



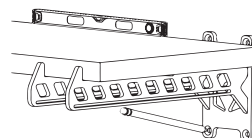
5. Hold the shelf bracket against the wall and using a screwdriver tighten the screws into the wall anchors until they are snug.



6. Place the shelf against the wall resting it on top of the first bracket installed. Place the next bracket under the shelf and use a level to adjust the bracket location, making sure the shelf is horizontally aligned.



7. Once level, use a pencil to mark the location of the mounting holes and repeat steps 3-5.
 - If using more than two brackets per shelf, repeat steps 6-7 for each additional bracket.



8. Once all brackets are securely attached to the wall, place the shelf on top of the brackets. Use screws to attach the shelf to the brackets, ensuring they are snug but not too tight.

