



M-4

CORE RIG

PARTS LIST

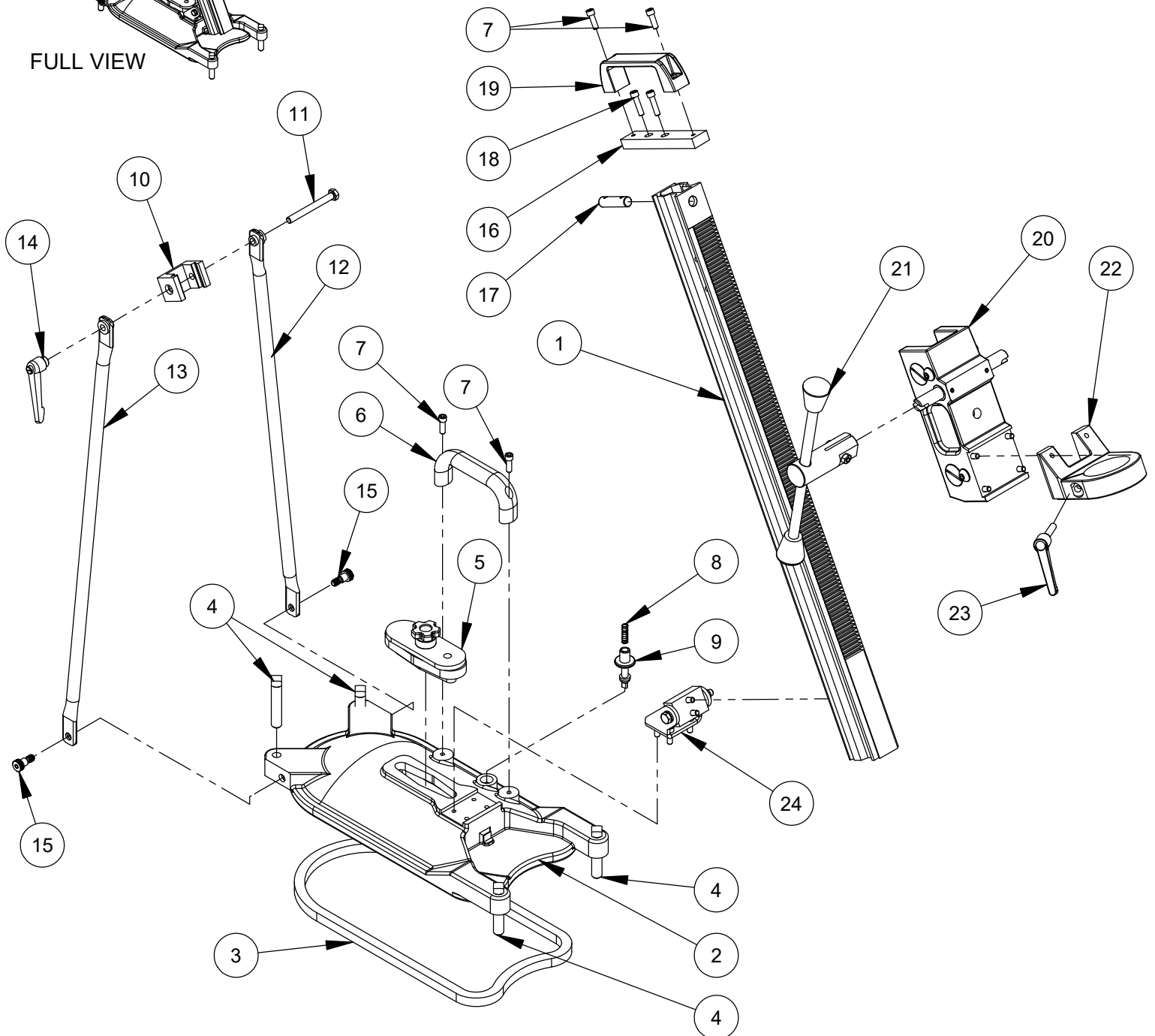
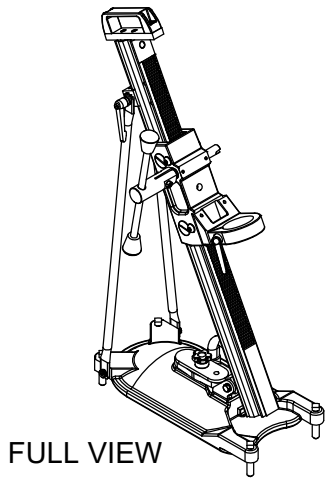
April 2, 2015

Part # 1890003

Table of Contents

Combination Stand for Weka Motor.....	4 – 5
Combination Stand for Milwaukee Motor.....	6 – 7
Anchor Drill Stand for Weka Motor	8
Anchor Drill Stand for Milwaukee Motor.....	9
Swivel Combination Stand for Weka Motor	10 – 11
Swivel Combination Stand for Milwaukee Motor.....	12 – 13
Vacuum Pump Assembly (115V).....	14
Vacuum Pump Assembly (230V).....	15
Carriage Assembly	16
Mast Lower Clamp Assembly for Combination Stand.....	17
Motor Mount Assembly for Milwaukee Motor.....	18
Handle Assembly.....	19
Slot Cap Assembly	20
Warranty	24

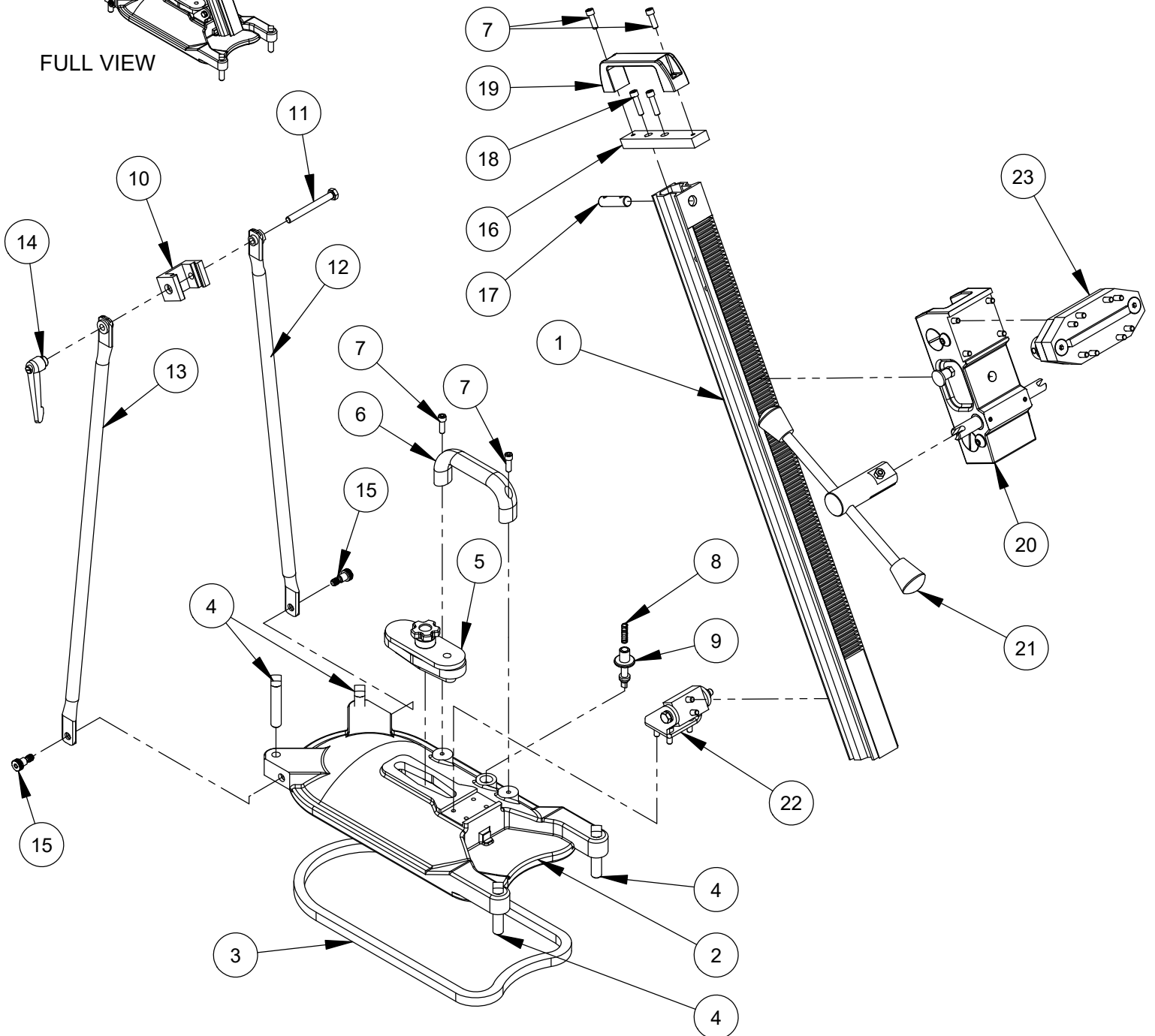
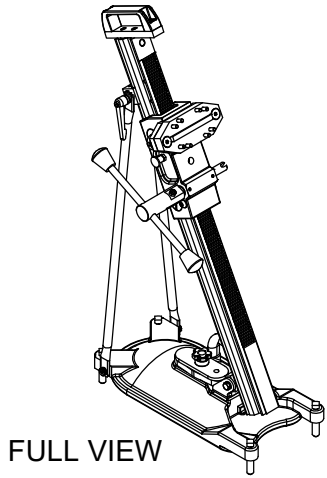
Combination Stand for Weka Motor
with 30" Mast #4240020
with 42" Mast #4240022



Combination Stand for Weka Motor
with 30" Mast #4240020
with 42" Mast #4240022

ITEM	PART NO.	QTY.	DESCRIPTION
1	4600007	1	Combo Mast 30"
	4600034	1	Combo Mast 42"
2	4600001	1	M-4 Combo Base
3	4600016	1	Vacuum Gasket
4	2900229	4	Set Screw, Sq. Hd., 1/2"-13 x 2 1/2"
5	4600046	1	Slot Cap Assembly
6	4600015	1	Base Handle
7	2900247	4	Cap Screw, Soc. Hd., 1/4-20 x 3/4"
8	2400149	1	Spring, 1" Long
9	4600022	1	Vacuum Release Valve and O-Ring
10	4600006	1	Mast Sliding Clamp
11	2900248	1	Cap Screw, Hex Hd., 5/16-18 x 3"
12	4600040	1	Angle Brace with Bushing - Left Hand
13	4600041	1	Angle Brace with Bushing - Right Hand
14	2400152	1	Adjustable Handle 5/16 -18
15	2900253	2	Shoulder Screw 3/8" x 3/8", 5/16"-18
16	4600013	1	Handle Plate
17	4600014	1	Handle Pin
18	2900088	2	Cap Screw, Soc. Hd., 1/4-20 x 1"
19	2400145	1	Handle
20	4600028	1	Carriage Assembly
21	4600049	1	Handle Assembly
22	4600003	1	Motor Mount Clamp
23	2400151	1	Adjustable Handle, 5/16-18 x 45mm
24	4600193	1	Mast Lower Clamp Assembly

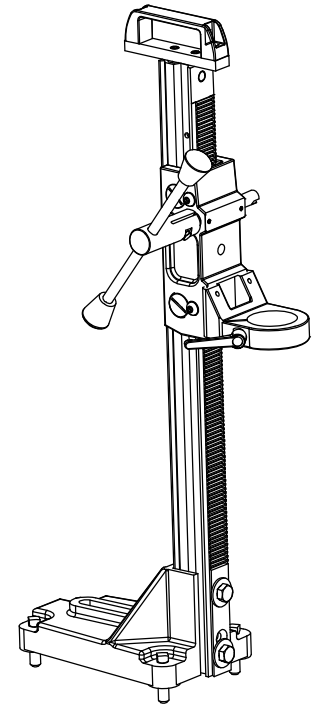
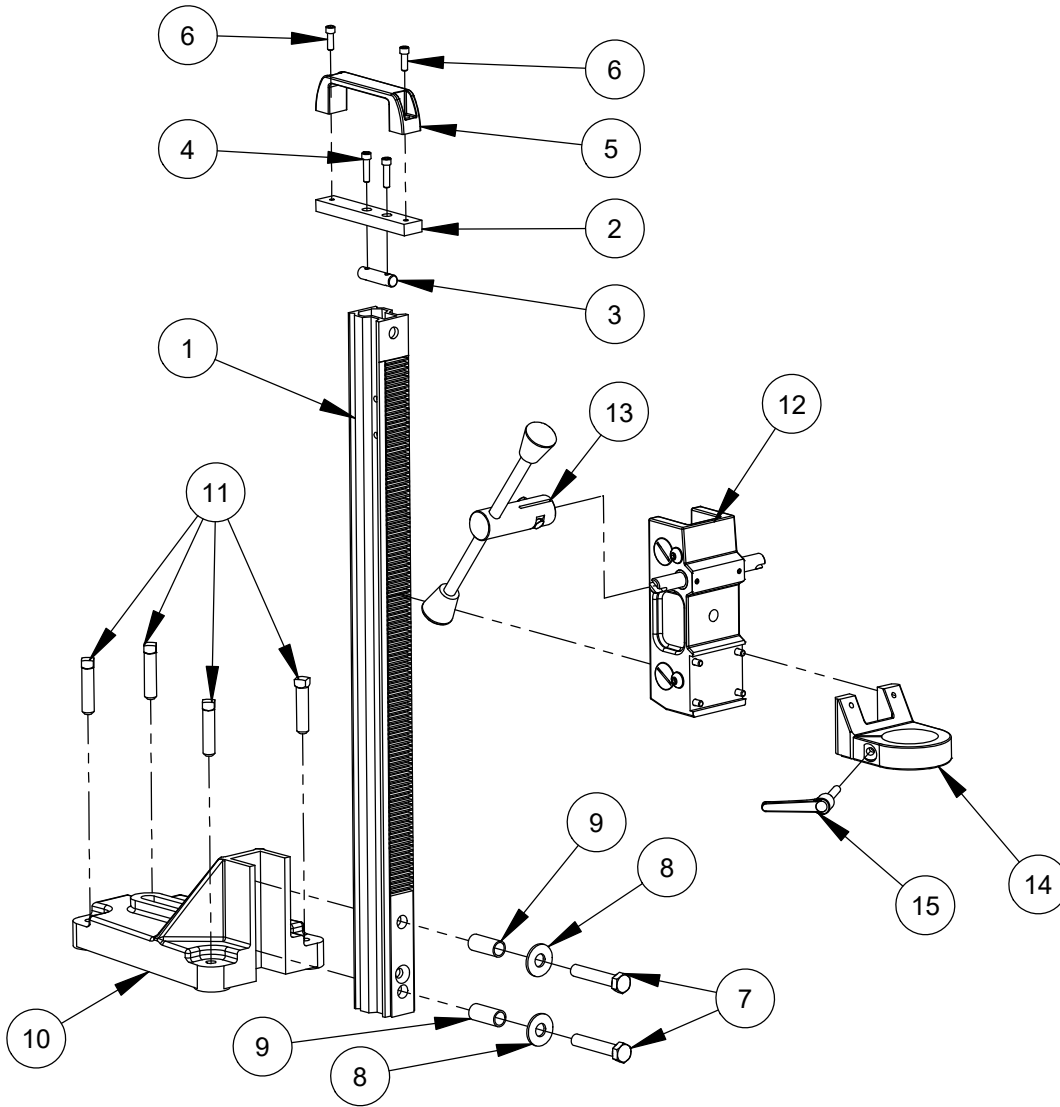
**Combination Stand for Milwaukee Motor
with 30" Mast #4240025
with 42" Mast #4240026**



Combination Stand for Milwaukee Motor
with 30" Mast #4240025
with 42' Mast #4240026

ITEM	PART NO.	QTY.	DESCRIPTION
1	4600007	1	Combo Mast 30"
	4600034	1	Combo Mast 42"
2	4600001	1	M-4 Combo Base
3	4600016	1	Vacuum Gasket
4	2900229	4	Set Screw, Sq. Hd., 1/2"-13 x 2 1/2"
5	4600046	1	Slot Cap Assembly
6	4600015	1	Base Handle
7	2900247	4	Cap Screw, Soc. Hd., 1/4-20 x 3/4"
8	2400149	1	Spring, 1" Long
9	4600022	1	Vacuum Release Valve and O-Ring
10	4600006	1	Mast Sliding Clamp
11	2900248	1	Cap Screw, Hex Hd., 5/16-18 x 3"
12	4600040	1	Angle Brace with Bushing - Left Hand
13	4600041	1	Angle Brace with Bushing - Right Hand
14	2400152	1	Adjustable Handle 5/16 -18
15	2900253	2	Shoulder Screw 3/8" x 3/8", 5/16"-18
16	4600013	1	Handle Plate
17	4600014	1	Handle Pin
18	2900088	2	Cap Screw, Soc. Hd., 1/4-20 x 1"
19	2400145	1	Handle
20	4600028	1	Carriage Assembly
21	4600049	1	Handle Assembly
22	4600193	1	Mast Lower Clamp Assembly
23	4600029	1	Motor Mount Assembly

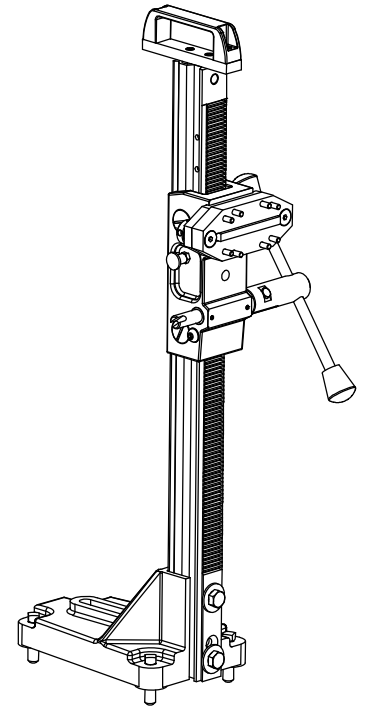
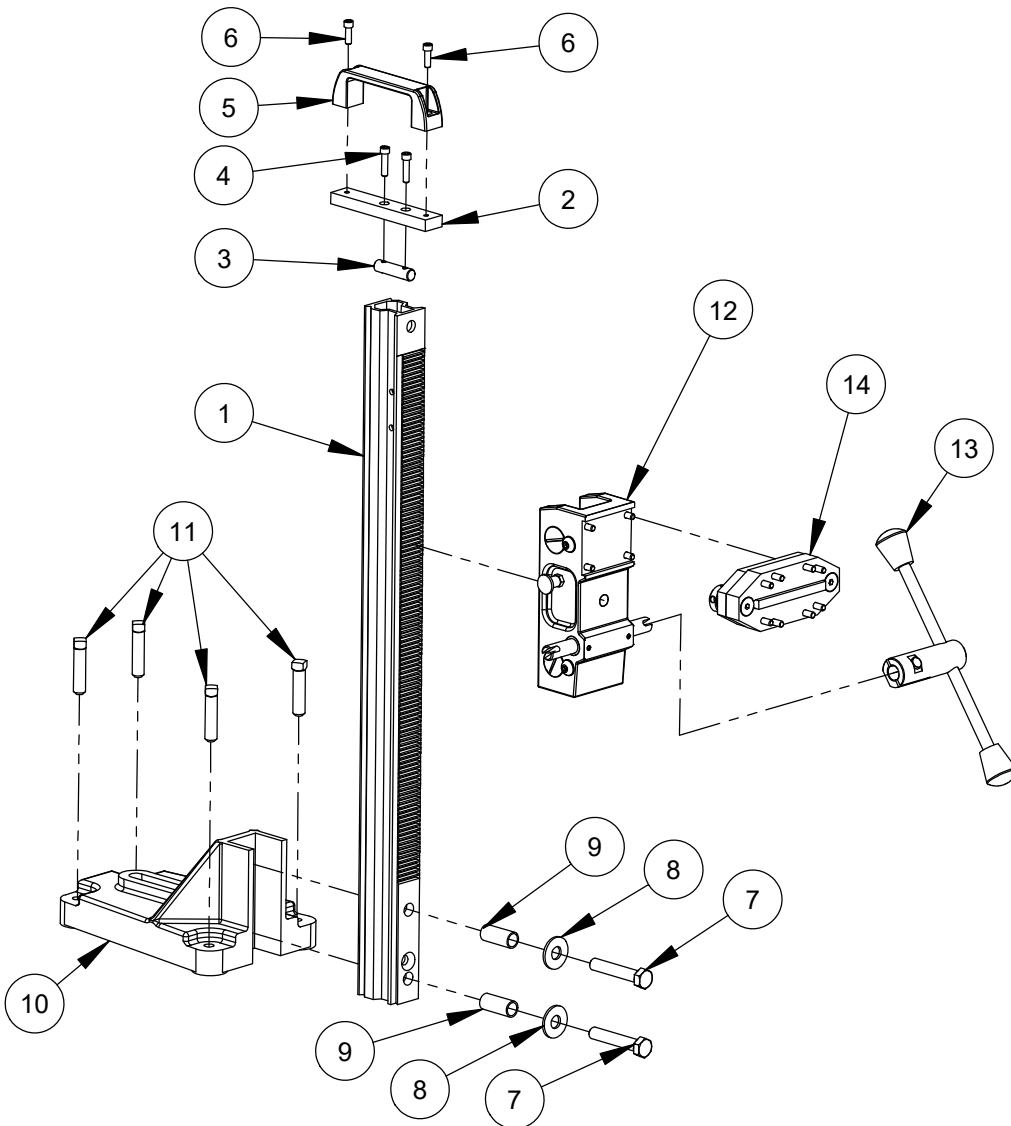
Anchor Drill Stand for Weka Motor
with 30" Mast #4240024
with 42" Mast #4240017



FULL VIEW

ITEM	PART NO.	QTY.	DESCRIPTION
1	4600042	1	Rig Mast, 30"
	4600047	1	Rig Mast, 42"
2	4600013	1	Handle Plate
3	4600014	1	Handle Pin
4	2900088	2	Cap Screw, Soc. Hd., 1/4-20 x 1"
5	2400145	1	Handle
6	2900247	2	Cap Screw, Soc. Hd., 1/4-20 x 3/4"
7	2900105	2	Cap Screw, Hex Hd., 1/2-13 x 2-3/4"
8	2900127	2	Flat Washer, 1/2" USS
9	4600044	2	Mast Bushing
10	4600048	1	M-4 Anchor Base
11	2900107	4	Set Screw, Sq. Hd., 0.05-13 x 2"
12	4600028	1	Carriage Assembly
13	4600049	1	Handle Assembly
14	4600003	1	Motor Mount Clamp
15	2400151	1	Adjustable Handle, 5/16-18 x 45mm

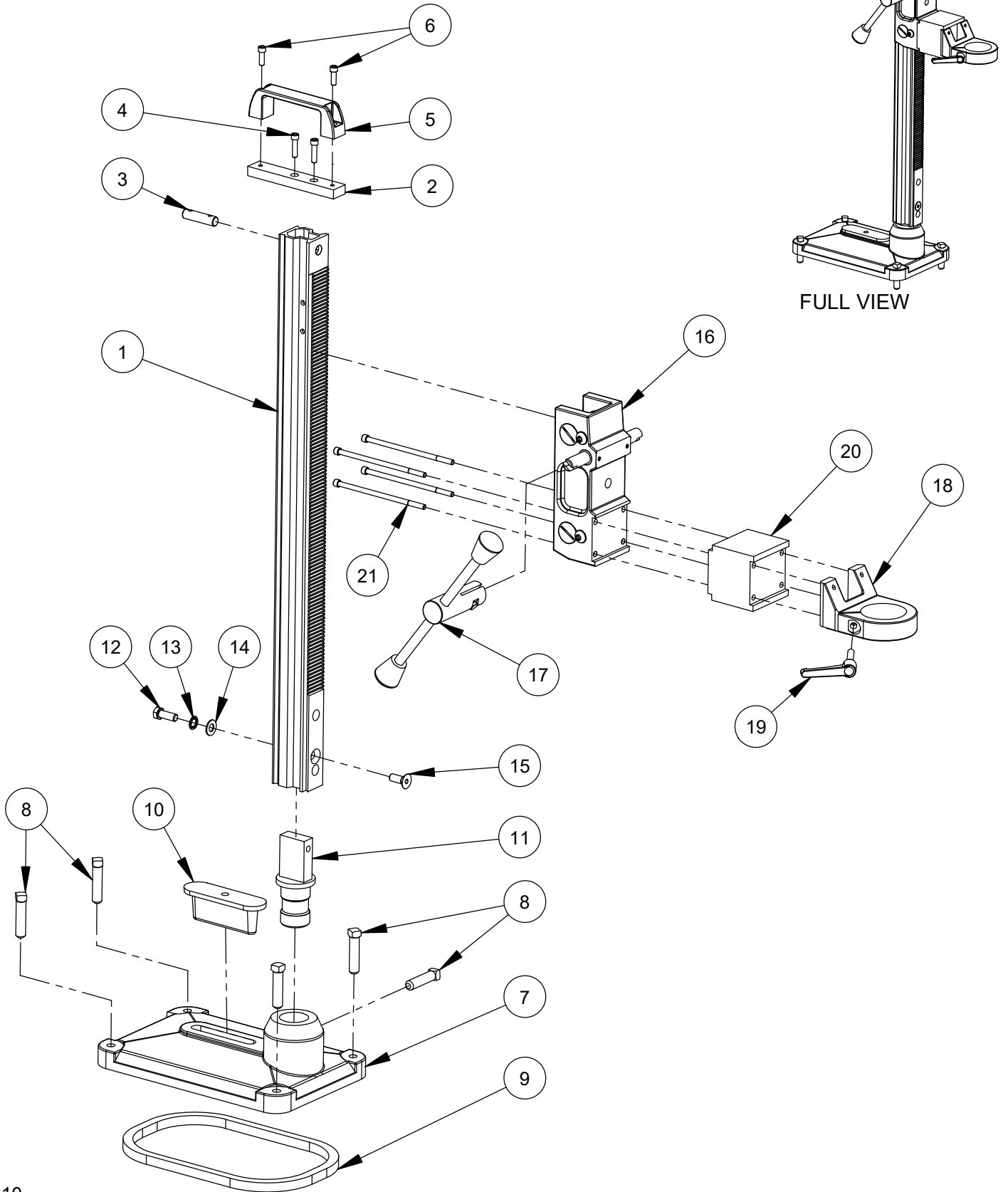
**Anchor Drill Stand for Milwaukee Motor
with 30" Mast #4240027
with 42" Mast #4240018**



FULL VIEW

ITEM	PART NO.	QTY.	DESCRIPTION
1	4600042	1	Rig Mast, 30"
	4600047	1	Rig Mast, 42"
2	4600013	1	Handle Plate
3	4600014	1	Handle Pin
4	2900088	2	Cap Screw, Soc. Hd., 1/4-20 x 1"
5	2400145	1	Handle
6	2900247	2	Cap Screw, Soc. Hd., 1/4-20 x 3/4"
7	2900105	2	Cap Screw, Hex Hd., 1/2-13 x 2-3/4"
8	2900127	2	Flat Washer, 1/2" USS
9	4600044	2	Mast Bushing
10	4600048	1	M-4 Anchor Base
11	2900107	4	Set Screw, Sq. Hd., 0.05-13 x 2"
12	4600028	1	Carriage Assembly
13	4600049	1	Handle Assembly
14	4600029	1	Motor Mount Assembly

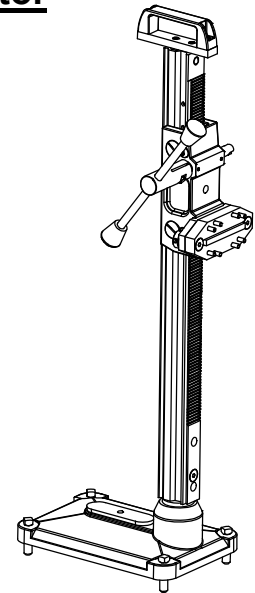
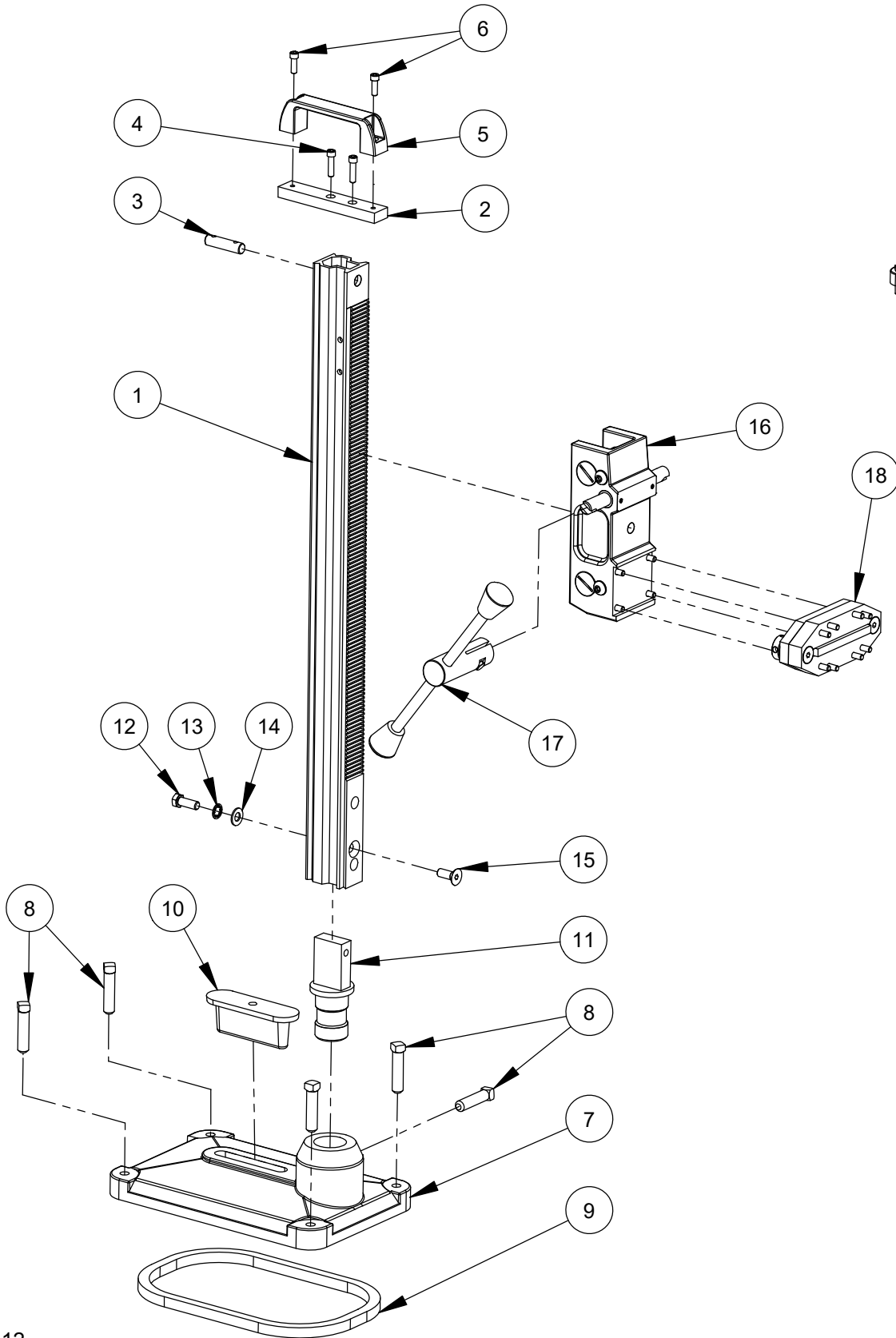
**Swivel Combination Stand for Weka Motor
with 30" Mast #4240028
with 42" Mast #4240037**



Swivel Combination Stand for Weka Motor
with 30" Mast #4240028
with 42" Mast #4240037

ITEM	PART NO.	QTY.	DESCRIPTION
1	4600042	1	Rig Mast, 30"
	4600047	1	Rig Mast, 42"
2	4600013	1	Handle Plate
3	4600014	1	Handle Pin
4	2900088	2	Cap Screw, Soc. Hd., 1/4-20 x 1"
5	2400145	1	Handle
6	2900247	2	Cap Screw, Soc. Hd., 1/4-20 x 3/4"
7	4643039	1	Stair Base
8	2900107	5	Set Screw, Sq. Hd., 0.05-13 x 2"
9	4643040	1	Vacuum Gasket
10	4645031	1	Slot Cap
11	4600043	1	Swivel Mount
12	2900005	1	Cap Screw, Hex Hd., 3/8-16 x 1"
13	2900254	1	Lock Washer, 3/8" Internal Tooth
14	2900014	1	Flat Washer, 3/8" SAE
15	2900235	1	Cap Screw, Flat Hd., 3/8-16 x 1"
16	4600028	1	Carriage Assembly
17	4600049	1	Handle Assembly
18	4600003	1	Motor Mount Clamp
19	2400151	1	Adjustable Handle, 5/16-18 x 45mm
20	4600045	1	Motor Mount Spacer
21	2900405	4	Capscrew, Soc. Hd., 1/4-20 x 5-1/2"

**Swivel Combination Stand for Milwaukee Motor
with 30" Mast #4240029
with 42" Mast #4240038**

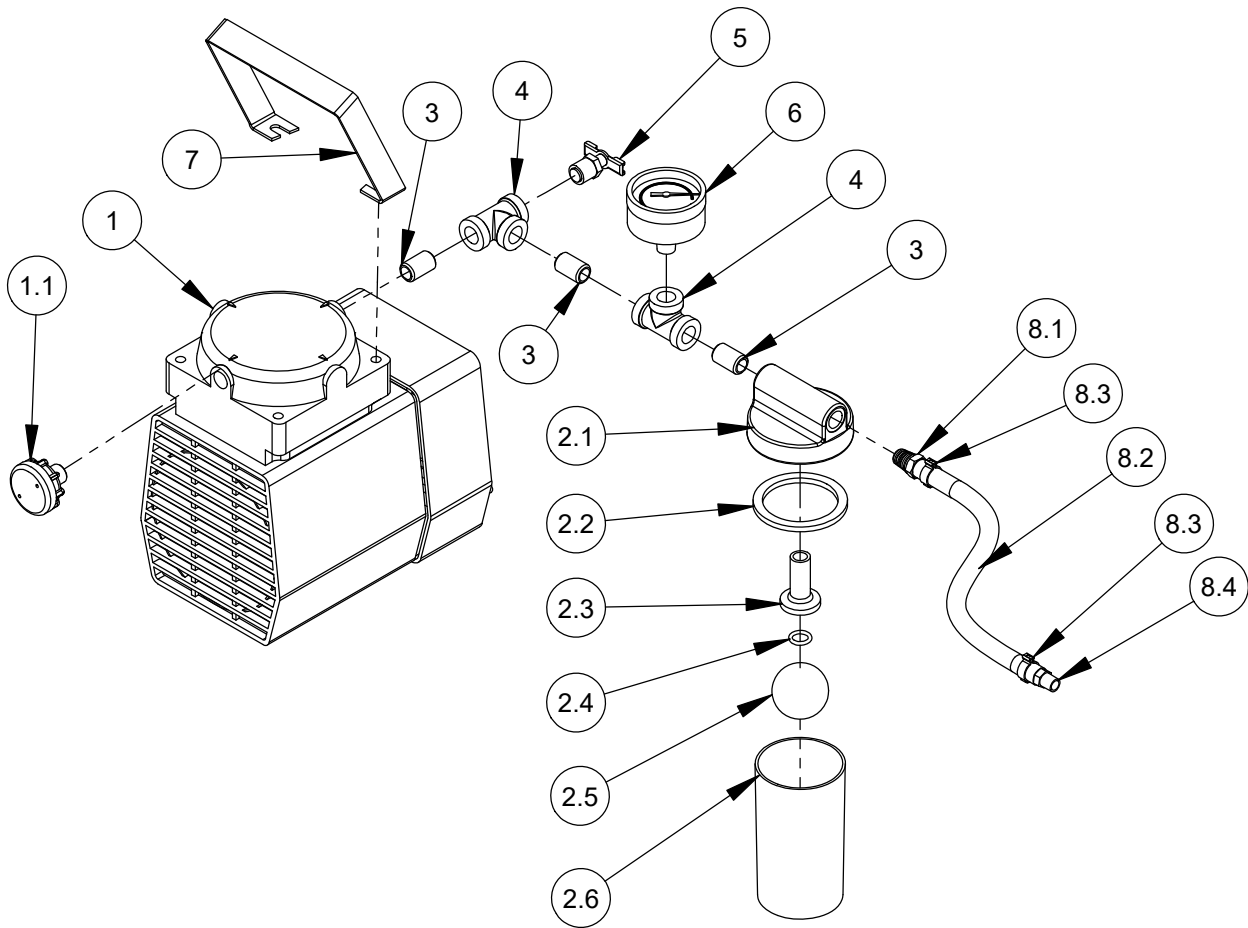


FULL VIEW

Swivel Combination Stand for Milwaukee Motor
with 30" Mast #4240029
with 42" Mast #4240038

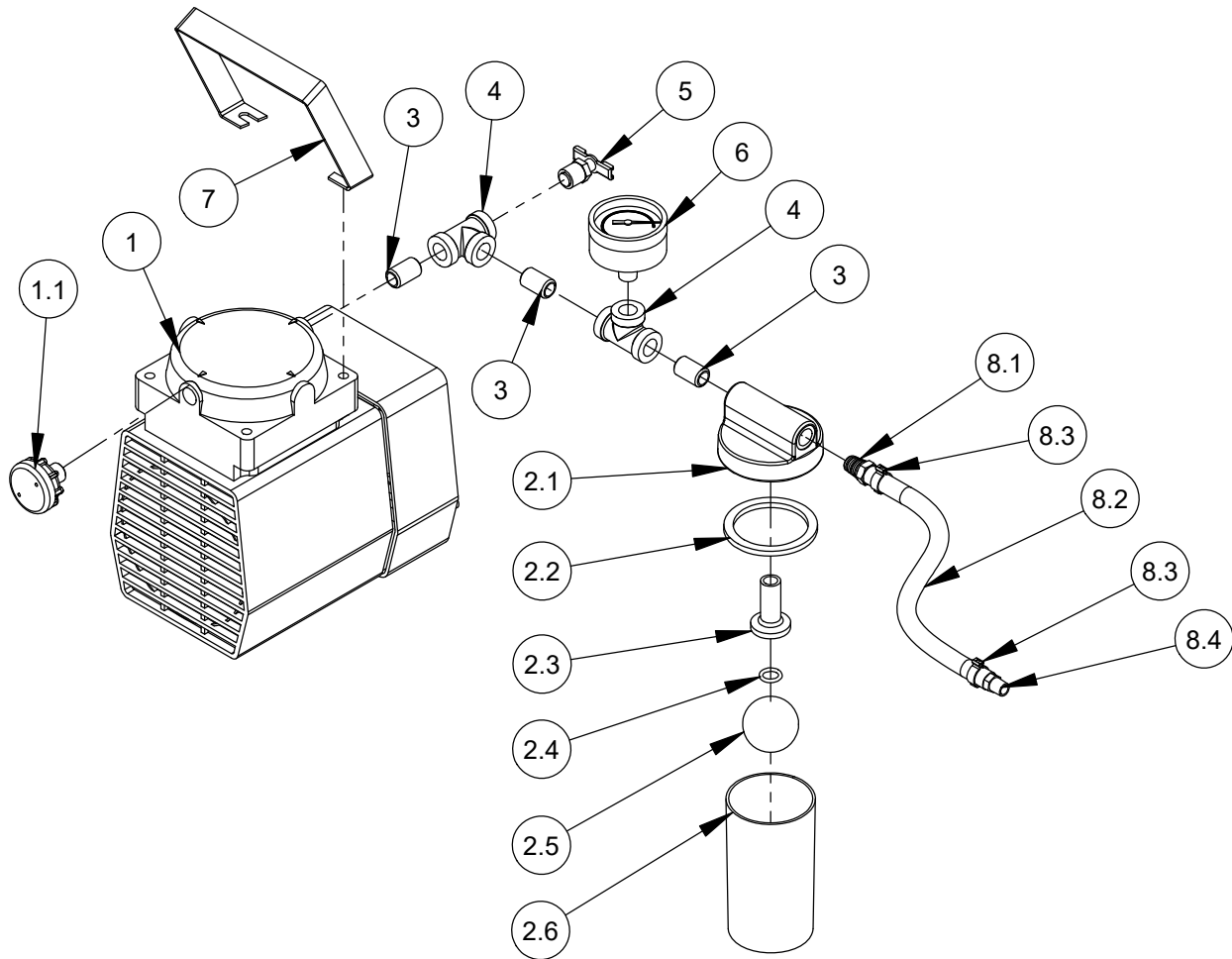
ITEM	PART NO.	QTY.	DESCRIPTION
1	4600042	1	Rig Mast, 30"
	4600047	1	Rig Mast, 42"
2	4600013	1	Handle Plate
3	4600014	1	Handle Pin
4	2900088	2	Cap Screw, Soc. Hd., 1/4-20 x 1"
5	2400145	1	Handle
6	2900247	2	Cap Screw, Soc. Hd., 1/4-20 x 3/4"
7	4643039	1	Stair Base
8	2900107	5	Set Screw, Sq. Hd., 0.05-13 x 2"
9	4643040	1	Vacuum Gasket
10	4645031	1	Slot Cap
11	4600043	1	Swivel Mount
12	2900005	1	Cap Screw, Hex Hd., 3/8-16 x 1"
13	2900254	1	Lock Washer, 3/8" Internal Tooth
14	2900014	1	Flat Washer, 3/8" SAE
15	2900235	1	Cap Screw, Flat Hd., 3/8-16 x 1"
16	4600028	1	Carriage Assembly
17	4600049	1	Handle Assembly
18	4600029	1	Motor Mount Assembly

Vacuum Pump Assembly (115 Volt) #4244077



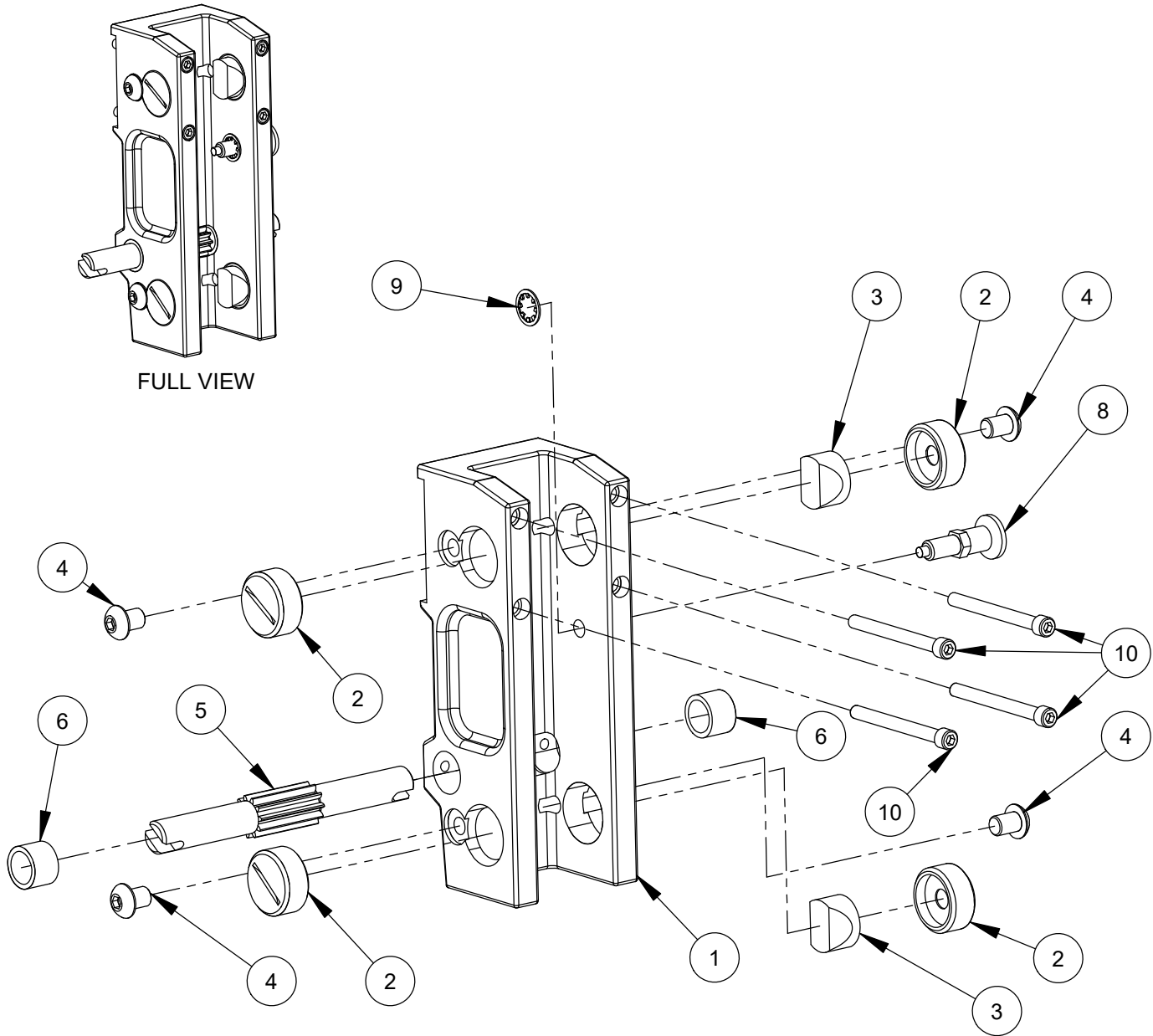
ITEM	PART NO.	QTY.	DESCRIPTION
1	2600016	1	Vacuum Pump (115 Volt)
1.1	2700168	1	Muffler
2	2700171	1	Water Jar Assembly
2.1	2700014	1	Water Jar Lid
2.2	2700017	1	Water Jar Gasket
2.3	2700015	1	Funnel Fitting
2.4	2700016	1	O-Ring
2.5	2700172	1	Float Ball
2.6	2700170	1	Water Trap Jar
3	3200007	3	Close Nipple, 1/4 NPT
4	3200010	2	Pipe Tee, 1/4" FPT
5	3200035	1	Petcock, 1/4" NPT
6	2700164	1	Gauge, Vacuum
7	2700144	1	Pump Handle
8	4699492	1	Hose Assembly - 5' Long
8.1	3200019	1	Fitting, 1/4" M. Pipe to 1/4" Hose Barb
8.2	4699432	1	Air Hose, 5' Long
8.3	3200017	2	Clamp, Pinch On
8.4	3200018	1	Fitting, 1/8" M. Pipe to 1/4" Hose Barb

Vacuum Pump Assembly (230 Volt) #4244079



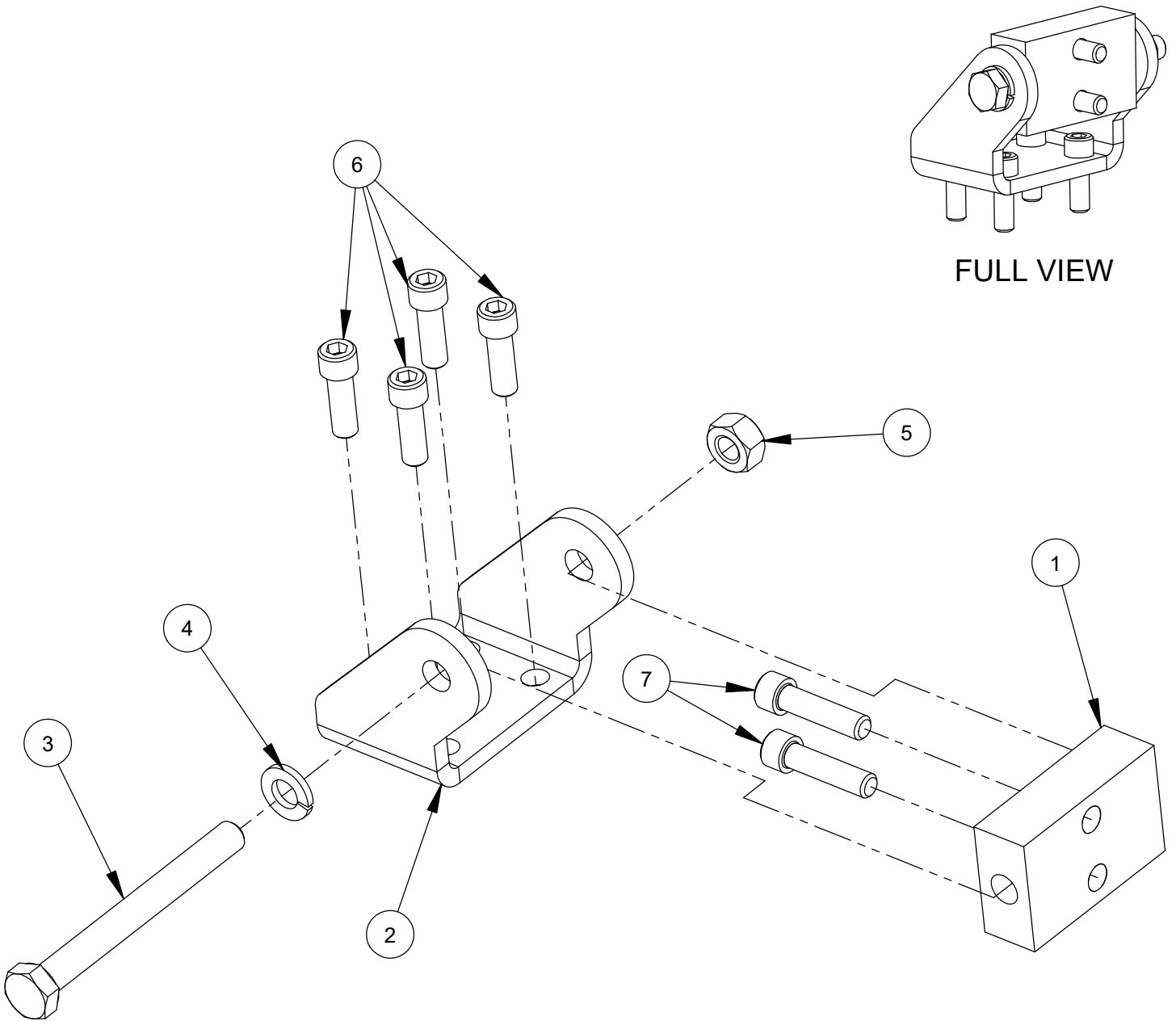
ITEM	PART NO.	QTY.	DESCRIPTION
1	2600017	1	Vacuum Pump (230 Volt)
1.1	2700168	1	Muffler
2	2700171	1	Water Jar Assembly
2.1	2700014	1	Water Jar Lid
2.2	2700017	1	Water Jar Gasket
2.3	2700015	1	Funnel Fitting
2.4	2700016	1	O-Ring
2.5	2700172	1	Float Ball
2.6	2700170	1	Water Trap Jar
3	3200007	3	Close Nipple, 1/4 NPT
4	3200010	2	Pipe Tee, 1/4" FPT
5	3200035	1	Petcock, 1/4" NPT
6	2700164	1	Gauge, Vacuum
7	2700144	1	Pump Handle
8	4699492	1	Hose Assembly - 5' Long
8.1	3200019	1	Fitting, 1/4" M. Pipe to 1/4" Hose Barb
8.2	4699432	1	Air Hose, 5' Long
8.3	3200017	2	Clamp, Pinch On
8.4	3200018	1	Fitting, 1/8" M. Pipe to 1/4" Hose Barb

Carriage Assembly #4600028



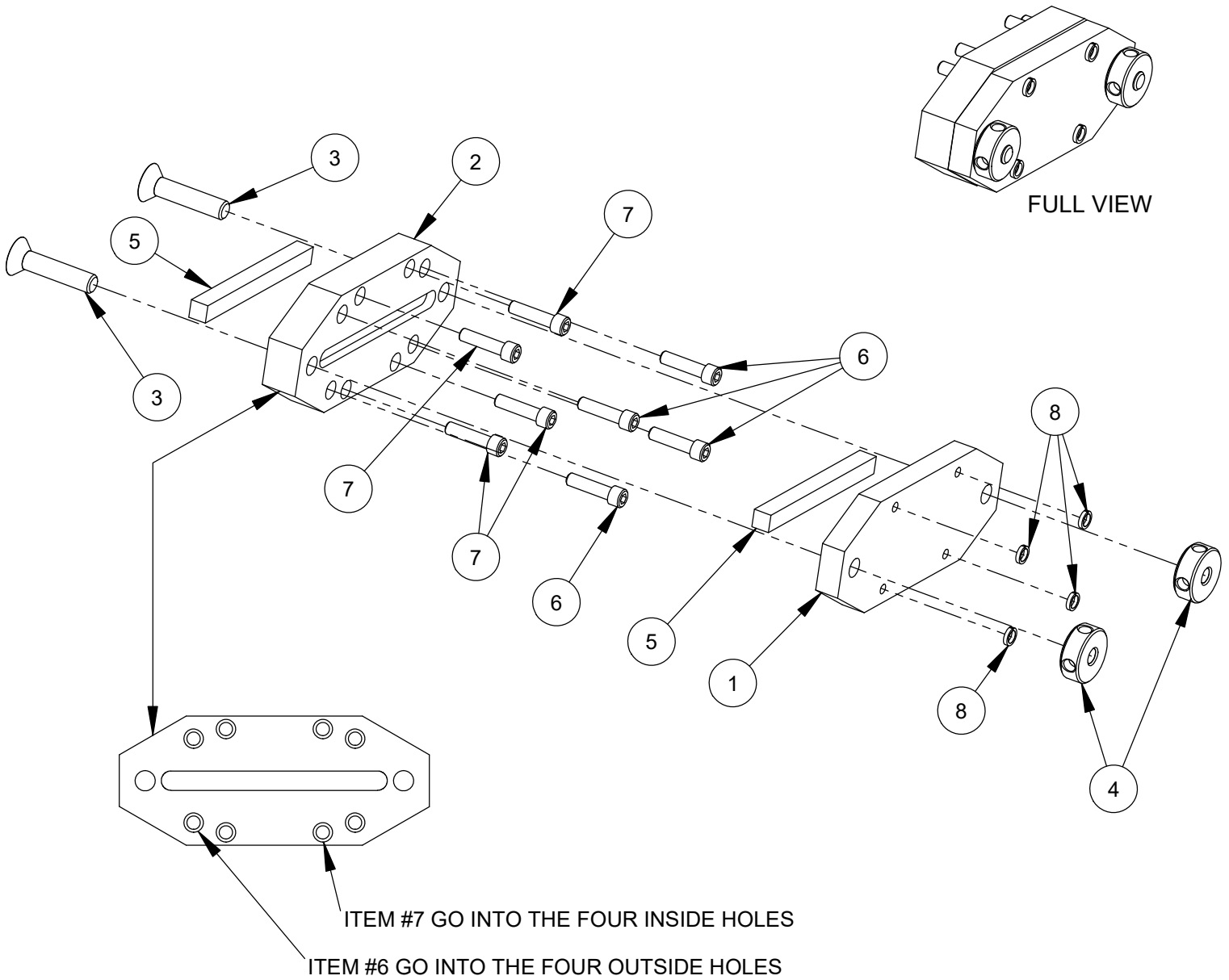
ITEM	PART NO.	QTY.	DESCRIPTION
1	4600002	1	Carriage
2	4600017	4	Guide Adjuster
3	4600018	4	Carriage Guide
4	2900285	4	Cap Screw, Button Hd., 3/8-24 x 1/2"
5	4600008	1	Pinion Gear
6	2400162	2	Bearing, 5/8 ID
7	2900386	2	Set Screw, Soc. Cone Point, 1/4-20 x 1/4"
8	2400164	1	Indexing Plunger
9	2900254	1	Lock Washer, 3/8" Internal Tooth
10	2900245	4	Cap Screw, Soc. Hd., 1/4-20 x 2-5/8"

Mast Lower Clamp Assembly #4600193
used on Combination Stand



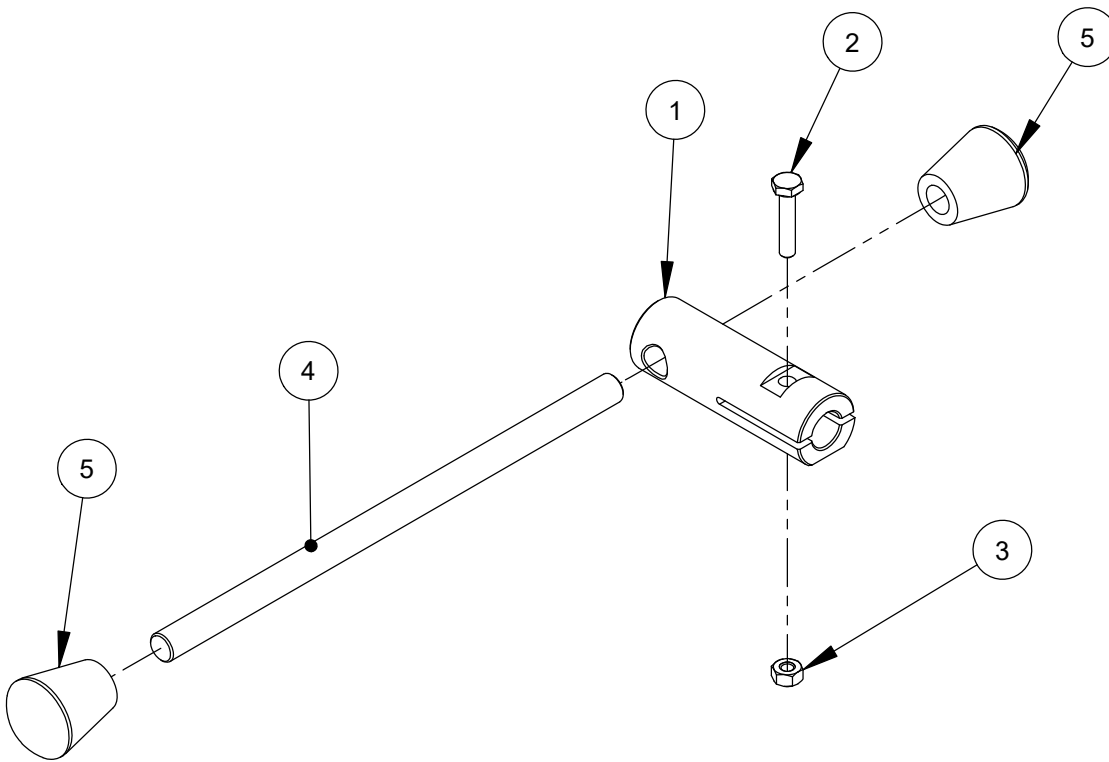
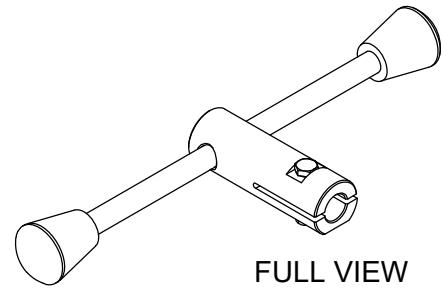
ITEM	PART NO.	QTY.	DESCRIPTION
1	4600081	1	Mast Lower Clamp
2	4600024	1	Mast Mounting Clamp
3	2900248	1	Cap Screw, Hex Hd., 5/16-18 x 3"
4	2900031	1	Lock Washer, 5/16" Split
5	2900141	1	Hex Nut, 5/16-18
6	2900247	4	Cap Screw, Soc. Hd., 1/4-20 x 3/4"
7	2900088	2	Cap Screw, Soc. Hd., 1/4-20 x 1"

Motor Mount Assembly #460029 for Milwaukee Motors



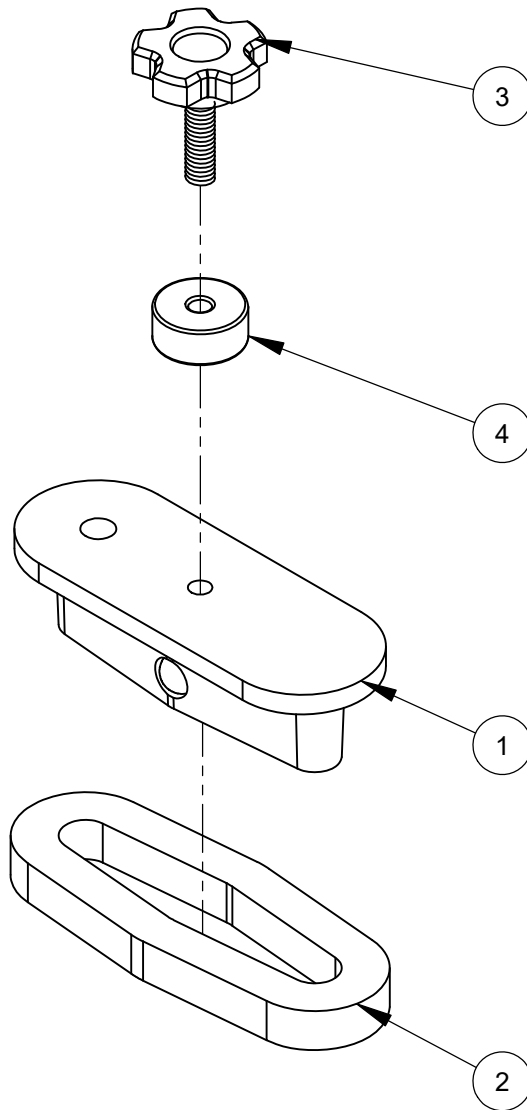
ITEM	PART NO.	QTY.	DESCRIPTION
1	4600020	1	Carriage Adapter Plate
2	4600021	1	Motor Mount Plate
3	2900251	2	Cap Screw, Flat Hd., 3/8-18 x 1-3/4"
4	2400163	2	Knurled Nut 3/8 -16
5	4645006	2	Key, 3/8" Sq. x 4"
6	2900088	4	Cap Screw, Soc. Hd., 1/4-20 x 1"
7	2900089	4	Cap Screw, Soc. Hd., 1/4-28 x 1"
8	2900404	4	Lock Washer, 1/4" Split High Collar

Handle Assembly #4600049



ITEM	PART NO.	QTY.	DESCRIPTION
1	4600011	1	Handle Housing
2	2900052	1	Cap Screw, Hex Hd., 1/4-20 x 1-1/4"
3	2900125	1	Hex Nut, 1/4-20
4	4600012	1	Feed Handle
5	2400155	2	Knob, Tapered, Push On

Slot Cap Assembly #4600046



ITEM	PART NO.	QTY.	DESCRIPTION
1	4600004	1	Slot Cap with Balls
2	2400003	1	Slot Cap Gasket
3	2400130	1	Slot Cap Knob
4	2400169	1	Knob Gasket

EQUIPMENT AND PARTS WARRANTY

Diamond Products warrants all equipment manufactured by it against defects in workmanship or materials for a period of one (1) year from the date of shipment to Customer.

The responsibility of Diamond Products under this Warranty is limited to replacement or repair of defective parts at Diamond Products' Elyria, Ohio factory, or at a point designated by it, of such parts as shall appear to us upon inspection at such parts, to have been defective in material or workmanship, with expense for transportation and labor borne by Customer.

In no event shall Diamond Products be liable for consequential or incidental damages arising out of the failure of any Product to operate properly.

Integral units such as engines, electric motors, batteries, transmissions, etc., are excluded from this Warranty and are subject to the prime manufacturer's warranty.

THIS WARRANTY IS IN LIEU OF ALL OTHER WARRANTIES, EXPRESSED OR IMPLIED, AND ALL SUCH OTHER WARRANTIES ARE HEREBY DISCLAIMED.



333 Prospect Street, Elyria, Ohio 44035
(440) 323-4616 • (800) 321-5336 • Fax (440) 323-8689