

Part-list	ES	EN	Prod.
1	A	GRUPO BASE	BASE GROUP
2	B	GRUPO GUIAS Y SOPORTES	GUIDE AND SUPPORT GROUP
3	C	GRUPO PORTHERRAMIENTAS Y CORREDERAS	TOOLHOLDER AND SLIDER GROUP
4	D	GRUPO SEPARADOR	BREAKER GROUP

Prod.	ES	EN	From serial num.
18920	TS-43 MAX ORANGE -CORTADOR MANUAL	TS-43 MAX ORANGE TILE CUTTER 17" 43 CM	7729
18921	TS-57 MAX ORANGE -CORTADOR MANUAL	TS-57 MAX ORANGE TILE CUTTER 23" (57 cm)	5124
18922	TS-66 MAX ORANGE -CORTADOR MANUAL	TS-66 MAX ORANGE TILE CUTTER 26" (66 cm)	23888
18923	TS-75 MAX ORANGE -CORTADOR MANUAL	TS-75 MAX ORANGE TILE CUTTER 29" (75 cm)	3775
18924	TS-43 MAX ORANGE SIN MALETA -CORT.MAN.	TS-43 MAX ORANGE WO/CASE	7729
18925	TS-57 MAX ORANGE SIN MALETA -CORT.MAN.	TS-57 MAX ORANGE WO/ CASE	5124
18926	TS-66 MAX ORANGE SIN MALETA -CORT.MAN.	TS-66 MAX ORANGE WITHOUT CASE	23888
18927	TS-75 MAX ORANGE SIN MALETA -CORT.MAN.	TS-75 MAX ORANGE SIN MALETA	3775
18972	TS-43 MAX GREY -CORTADOR MANUAL	TS-43 MAX GREY TILE CUTTER 17" 43 CM	7729
18973	TS-57 MAX GREY -CORTADOR MANUAL	TS-57 MAX GREY TILE CUTTER 23" (57 cm)	5124
18974	TS-66 MAX GREY -CORTADOR MANUAL	TS-66 MAX GREY TILE CUTTER 26" (66 cm)	23888
18975	TS-75 MAX GREY -CORTADOR MANUAL	TS-75 MAX GREY TILE CUTTER 29" (75 cm)	3775

Queda reservado el derecho de introducir cualquier modificación técnica sin previo aviso

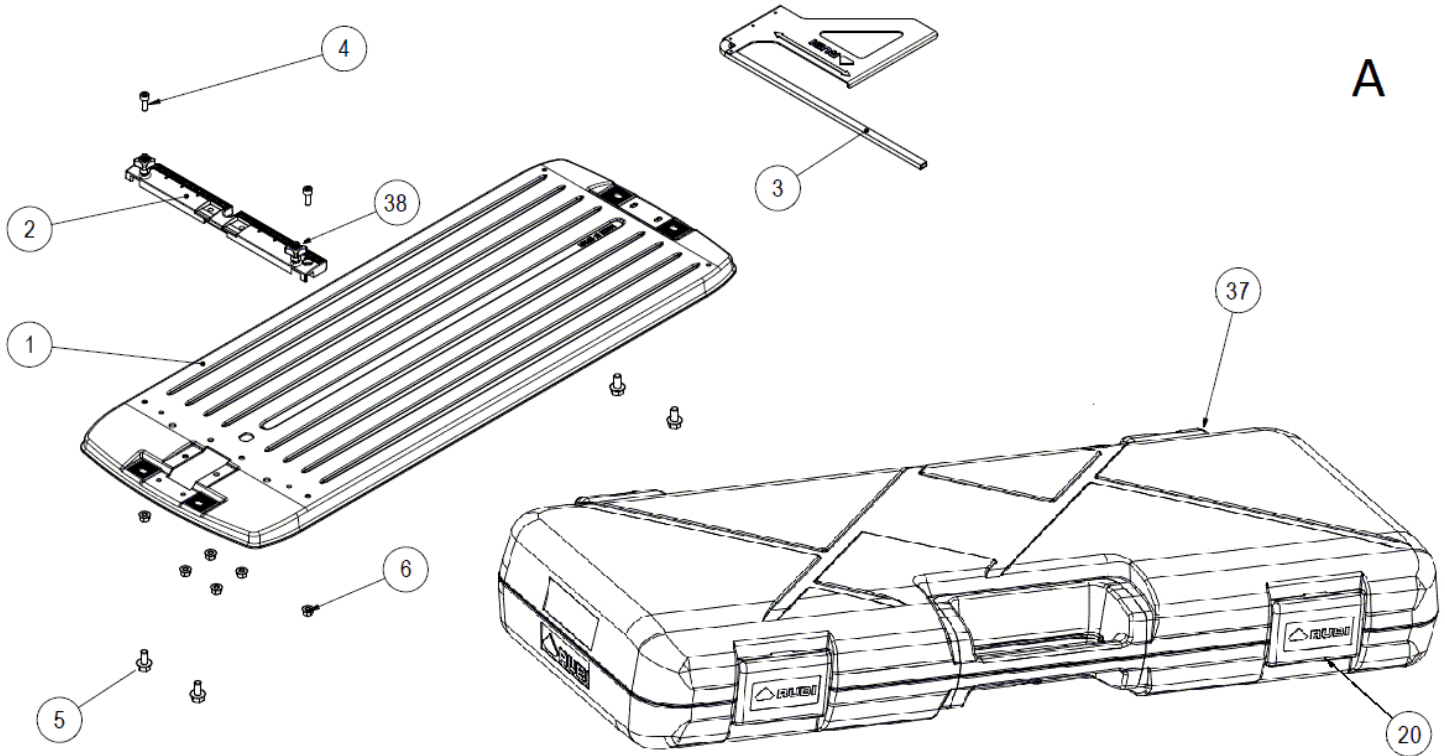
We reserve the right to introduce any technical modification without previous notice

# TS-43,57,66,75 MAX

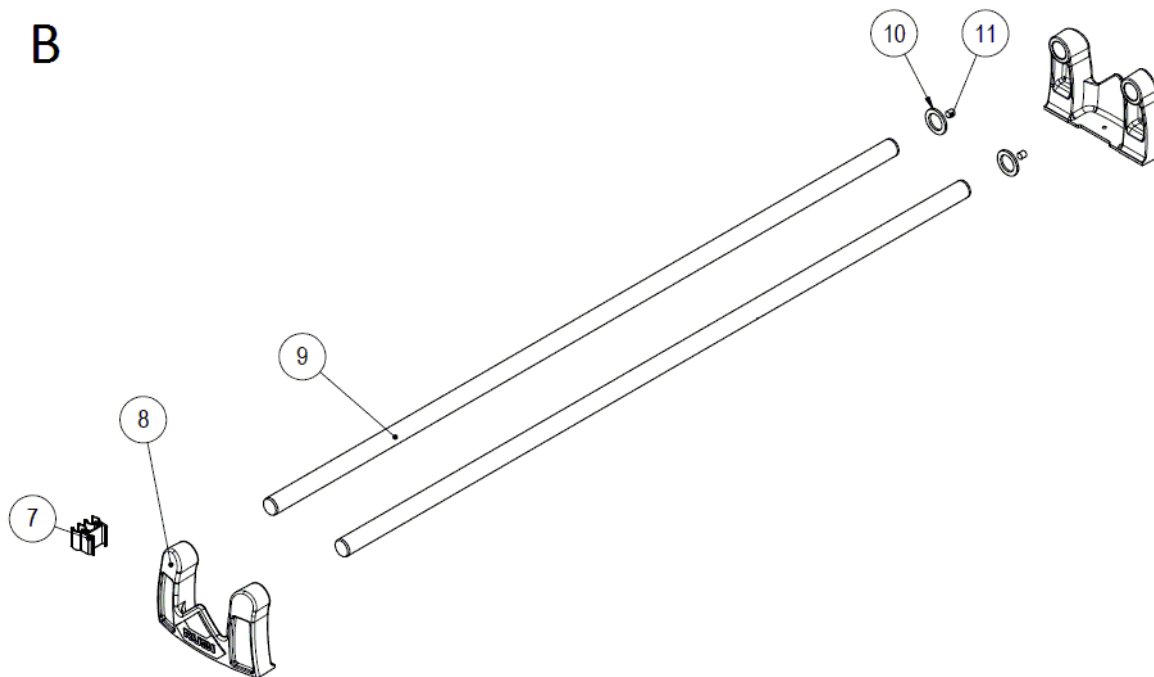


100000765 02 27/11/2018

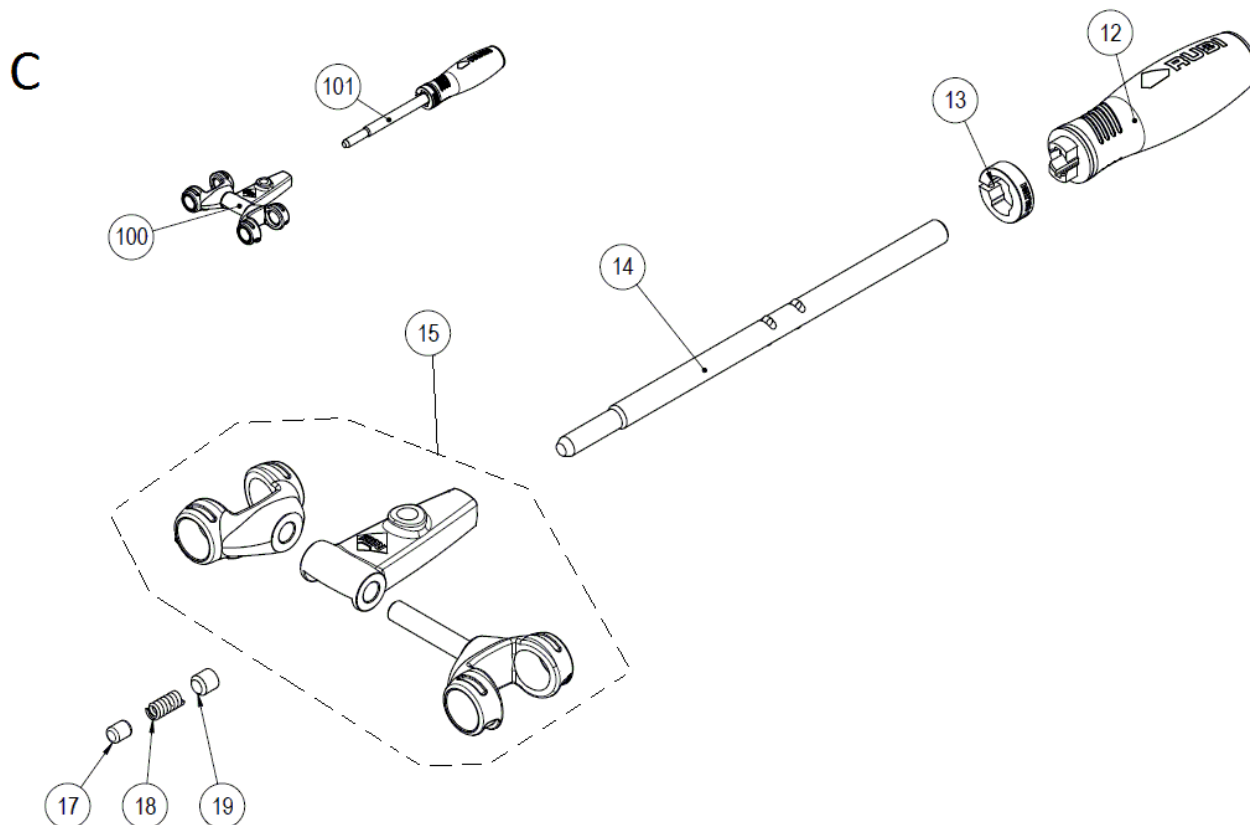
Página 2 de 5



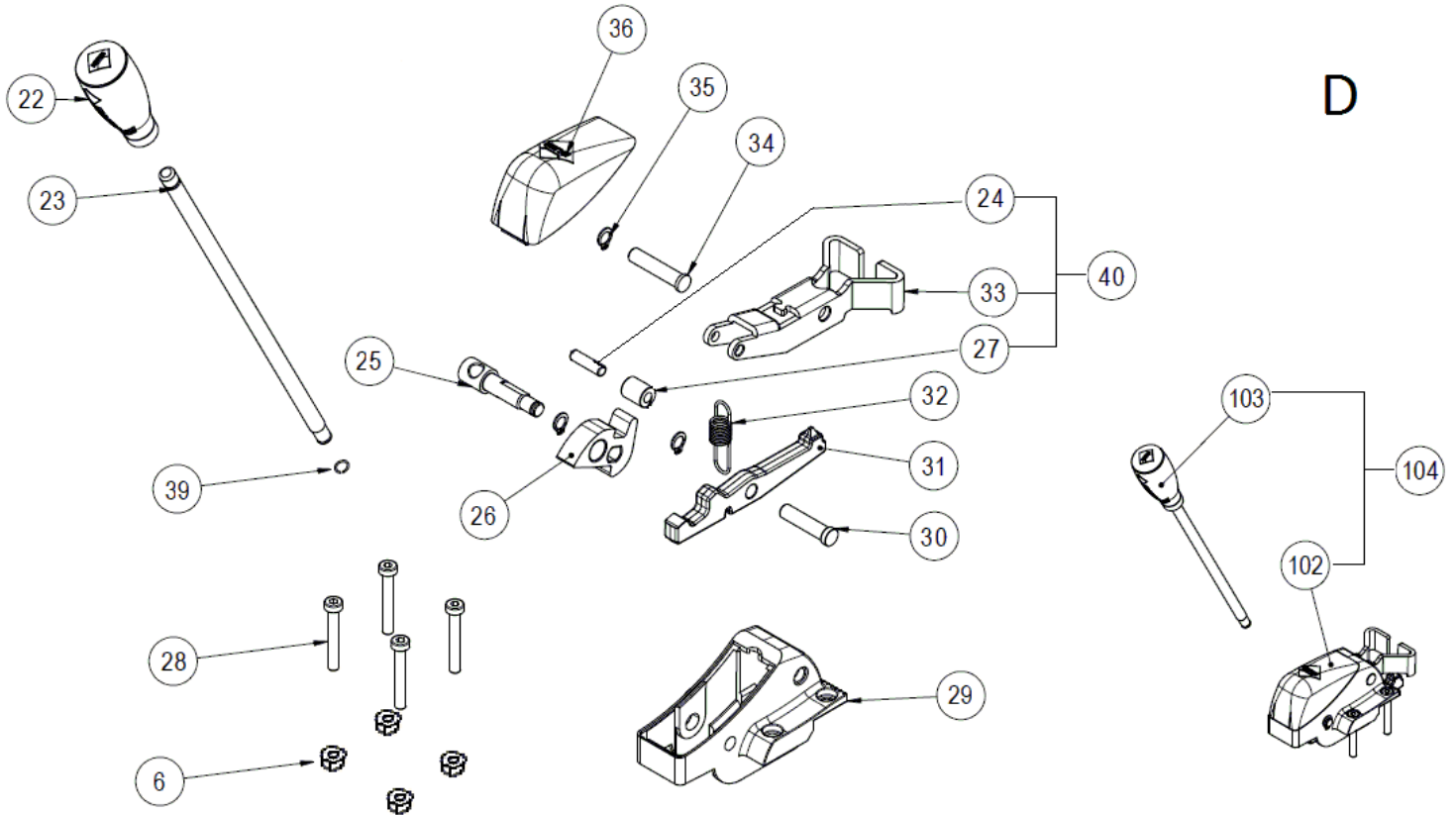
Part-list	ES	EN	Prod.
1	15230 1 BASE TS-70 V2	BASE TS-70 V2	18923, 18927
1	15227 1 BASE TS-40 V3	BASE TS-40 V3	18920, 18924
1	15228 1 BASE TS-50 V3	BASE TS-50 V3	18921, 18925
1	15229 1 BASE TS-60 V3	BASE TS-60 V3	18922, 18926
1	15195 1 BASE TS-70 V3/G	BASE TS-70 V3/G	18975
1	15187 1 BASE TS-60 V4/G	BASE TS-60 V4/G	18974
1	15179 1 BASE TS-40 V4/G	BASE TS-40 V4/G	18972
1	15182 1 BASE TS-50 V4/G	BASE TS-50 V4/G	18973
2	15837 1 CJ.ESCUADRA TS-40 MAX	SQUARE SET FOR TS-40 MAX	18920, 18924, 18972
2	15839 1 CJ.ESCUADRA TS-60/70 MAX	SQUARE SET FOR TS-60/70 MAX	18922, 18923, 18926, 18927, 18974, 18975
2	15838 1 CJ.ESCUADRA TS-50 MAX	SQUARE SET FOR TS-50 MAX	18921, 18925, 18973
3	15749 1 TOPE LATERAL TS-60/70 V2	SIDE STOP TS-60/70 V2	18922, 18923, 18926, 18927, 18974, 18975
3	15844 1 TOPE LATERAL TS-50 V3	SIDE STOP TS-50 V3	18921, 18925, 18973
3	15843 1 TOPE LATERAL TS-30/40 V3	SIDE STOP TS-30/40 V3	18920, 18924, 18972
4	45051 2 TORN DIN 912 M6X16 6.8 ZN	SCREW DIN 912 M6X16 6.8 ZP	
5	15166 4 TORN DIN 6921 M8X16 6.8 ZN	SCREW DIN 6921 M8X16 6.8 ZP	
6	83035 6 TUERCA DIN 6923 M6 CL8 ZN	NUT DIN 6923 M6 CL8 ZP	
20	18366 2 CIERRE MALETA TS/TS PLUS NUEVO	PLASTIC LATCH TS/TS PLUS NUEVO	
37	15158 1 MALETA TS-40/50/R	CASE TS-40/50/R	18920, 18924, 18972, 18921, 18925, 18973
37	15160 1 MALETA TS-60/70/R	CASE TS-60/70/R	18922, 18923, 18926, 18927, 18974, 18975
38	17021 2 COM.POMO M6X10 ROJO	RED KNOB SET M6X10	



Part-list	ES	EN	Prod.	
7	18194 1	CLIP SOPORTE RODELES TS	SCORING WHEEL SUPPORT CLIP TS	
8	15181 2	SOPORTE TS-50/60 V3/NG	GUIDE SUPPORT TS-50/60 V3/BLK	
9	15223 2	GUIA Ø 17 L=790 CROMADA	CHROMING GUIDE Ø 17 L=790	18922, 18926, 18974
9	15221 2	GUIA Ø 17 L=560 CROMADA	CHROMING GUIDE Ø 17 L=560	18920, 18924, 18972
9	15224 2	GUIA Ø 17 L=884 CROMADA	CHROMING GUIDE Ø 17 L=884	18923, 18927, 18975
9	15222 2	GUIA Ø 17 L=700 CROMADA	CHROMING GUIDE Ø 17 L=700	18921, 18925, 18973
10	16096 2	TOPE CORREDERA Ø16,8X25X2	SLIDE TOP TS MAX	
11	15136 2	TACO GOMA Ø 6X6	RUBBER STOPPER 6X6	



Part-list	ES	EN	Prod.
12	18361 1	MANGO RESTYLING TS/TR/TX V2	RESTYLING HANDLE TS/TR/TX V2
13	18316 1	ANILLO MANGO RESTYLING TS	RESTYLING HANDLE RING TS
14	18362 1	VARILLA MANGO RESTYLING TS V2	RESTYLING HANDLE BAR TS V2
15	16824 1	CJ.CORRED.PORTAHERRAM.TS MAX PINT.ROJO	TOOL HOLDER SET TS MAX RED
17	15113 1	TACO DE NYLON Ø 5.5X 1.5 K-180	NYLON STOPFEN DIA.5.5X 1.5 K-180
18	15128 1	MUELLE FRENO PORTAHERRAM.	TOOLHOLDER BRAKE SPRING
19	17580 1	TORN DIN 913 M10X10X1,25 6.8	SCREW DIN 913 M10X10X1,25 6.8
100	16830 1	CJ.CORREDERA.PORTAHERRAM.TS MAX	TOOL-HOLDER TS MAX
101	18811 1	CJ.MANGO RESTYLING TS	RESTYLING HANDLE SET TS



Part-list	ES	EN	Prod.
6	83035 4	TUERCA DIN 6923 M6 CL8 ZN	NUT DIN 6923 M6 CL8 ZP
22	18331 1	MANGO RESTYLING SEPARADOR TS	RETYLING SEPARATOR HANDLE TS
23	18322 1	VARILLA MANGO RESTYLING SEPARADOR TS	RETYLING SEPARATOR HANDLE BAR TS
24	16206 1	PASADOR CILINDRICO Ø 6 H7X22	CYLINDRICAL PIN Ø 6 H7X22
25	7154 1	EJE LEVA SEPARADOR TS	AXLE CAM BREAKER TS
26	16093 1	LEVA COMANDO SEPARADOR TS MAX	BREAKER CAM TS MAX
27	16226 1	CASQ 6X12X14,5 CABONITRURADO	BUSHING 6X12X14,5
28	45051 4	TORN DIN 912 M6X16 6.8 ZN	SCREW DIN 912 M6X16 6.8 ZP
29	16263 1	CARCASA SEPARADOR PLUS V3	SEPARATOR CASE PLUS V3
30	7169 1	EJE PALANCA SUFRIDERA	AXLE SEPARATOR
31	15220 1	PALANCA SUFRID.SEPARADOR TS MAX	LOWER LEVER SEPARATOR TS MAX
32	7159 1	MUELLE PALANCA SEPARADOR "S"	S BREAKER INNER SPRING
33	16095 1	PALANCA PISON SEP.TS MAX	RAM LEVER SEPARATOR TS MAX
34	7158 1	EJE PALANCA PISON	PITCHER LEVER AXLE
35	7162 3	ANILLO DIN 471 Ø 8 ZN	CIRCLIP DIN 471 Ø 8 ZP
36	16084 1	TAPA CARCASA SEPARADOR TS MAX	COVER CAP SEPARATOR TS MAX
39	15038 1	ANILLO DIN 17223/84C RETENCION	STOPPER RING DIN 17223/84C
40	15805 1	CJ.PALANCA PISON SEP.MAX	TAMPER LEVER SET SEPARATOR MAX
102	16823 1	CJ.SEPARADOR TS MAX	SEPARATOR SET TS MAX
103	18814 1	CJ.MANGO RESTYLING SEPARADOR TS	RETYLING SEPARATOR HANDLE SET TS
104	18824 1	SEPARADOR TS MAX CON MANGO	TS MAX SEPARATOR WITH HANDLE