



Vinyl Stripper
VS-125/ VS-125-US



OPERATOR'S MANUAL

Rev0919

TABLE OF CONTENTS

INTRODUCTION	1
DISCLAIMER	1
ABOUT THIS MANUAL	2
SAFETY INFORMATION	3
GENERAL SAFETY INSTRUCTIONS.....	3
SAFETY DECALS.....	4
PRODUCT DESCRIPTION AND SPECIFICATIONS.....	5
INSTRUCTIONS FOR USE	7
SETTING UP THE MAKINEX VS-125 VINYL STRIPPER	7
OPERATING THE MAKINEX VS-125 VINYL STRIPPER.....	11
VINYL STRIPPER DOES NOT START	12
TRANSPORTING AND STORING	12
MAINTENANCE	13
GENERAL SERVICING	13
LIMITED ONE YEAR WARRANTY	14
WARRANTY EXCLUSIONS	15
OWNER'S RESPONSIBILITY UNDER LIMITED WARRANTY:	16
CONTACT INFORMATION	17

INTRODUCTION

Thank you for purchasing a MAKINEX product.

This manual provides information and procedures to safely operate and maintain the **VS-125/ VS-125-US** Vinyl Stripper. For your own safety and protection from injury, carefully read, understand, and observe the safety instructions described in this manual.

Keep this manual or a copy of it with the machine. If you lose this manual or need an additional copy, please contact MAKINEX. This machine is designed and built with user safety in mind; however, it can present hazards if improperly operated and serviced. Please follow the operating instructions carefully. If there are any questions regarding operating or servicing of this machine, please contact MAKINEX.

All rights, especially copying and distribution rights are reserved.

Copyright 2019 by MAKINEX.

No part of this publication may be reproduced in any form or by any means, electronic or mechanical, including photocopying, without express written permission from MAKINEX.

Any type of reproduction or distribution not authorised MAKINEX represents an infringement of valid copyrights and will be prosecuted. We expressly reserve the right to make technical modifications, even without due notice, which aim at improving our machines or their safety standards.

DISCLAIMER

MAKINEX and its affiliates, takes no responsibility for any damage, injury or death resulting from the incorrect or unsafe use of this product. Use of this product should be undertaken by competent persons only. It is the operators' responsibility to ensure that the following safety procedures are followed. If you are unsure, do not operate this product.

Record the model and serial numbers as well as date and place of purchase for future reference. Have this information available when ordering parts and when making technical or warranty inquiries.

MAKINEX SUPPORT

Refer to contact details on pg. 17

MODEL NO.

VS-125/ VS-125-US

SERIAL NO.






DATE OF PURCHASE

PURCHASE LOCATION

ABOUT THIS MANUAL

This manual is designed to provide the user with the information required to operate and maintain the 'VS-125/ VS-125-US' Vinyl Stripper correctly and safely. The following safety symbols are used with a key word to alert you to potential hazards in operating and owning power equipment. Follow all safety messages to avoid or reduce the risk of serious injury or death.

Key Terms

 READ CAREFULLY	READ CAREFULLY – refers to important information that should be paid careful attention.
 CAUTION	CAUTION - indicates a situation that may cause injury or damage to the machine if the user does not follow the instructions.
 WARNING	WARNING – indicates a situation that may cause injury or death if the user does not follow the instructions correctly.
 DANGER	DANGER – indicates a situation that will cause injury or death if the user does not follow the instructions as written.
 PROHIBITED	PROHIBITED – identifies actions that should never be carried out by any one interacting with the machine.

SAFETY INFORMATION

GENERAL SAFETY INSTRUCTIONS

Throughout this document there are several safety warnings. The user should read through this complete document before using the MAKINEX VS-125/ VS-125-US.



Ensure you read all information contained in this manual before using the MAKINEX VS-125/ VS-125-US.



Do not operate this machine in a wet environment.



Always wear the recommended personal protective equipment.



Keep hands away from stripping blade when not installing or removing the blade.



Keep leads away from the front of the stripping blade.



Keep children away from the vinyl stripper at all time,



Stop the unit whenever you leave the machine.




Do not install or remove a stripper blade with the power cord plugged in.




Do not use extension leads over 15m/50ft.

SAFETY DECALS

There are several stickers on the MAKINEX VS-125/ VS-125-US machine that have been provided to alert the user of potential safety risks/hazards. Please read and adhere to all instructions on the Unit.

 It is forbidden to remove any safety or instructional stickers or panels from the MAKINEX VS-125/ VS-125-US.

PROHIBITED

 Read all safety and instructional stickers displayed on each component of the MAKINEX VS-125/ VS-125-US Vinyl Stripper.








READ CAREFULLY

MAKINEX®

VINYL STRIPPER VS-125/VIS-125-US

SAFETY OPERATING INSTRUCTIONS

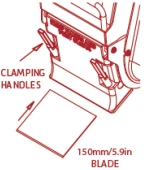
- Do not transport the machine with the blade in place*
- Wear protective gloves and take extreme care when installing the blades
- Do not install or remove the blade whilst machine is plugged in
- Always ensure the power cord is kept well clear of blade
- Always remove the 16kg/35lb cast weight before lifting manually
- Lift the machine using approved manual lifting methods or alternatively use a crane on the lifting eye supplied
- Ensure the machine is switched off before plugging into power point
- Always be aware of the blade during operation and remove after use
- Always rest the blade on the ground after it is installed

SET UP AND OPERATION

BLADE INSTALLATION AND SELECTION

1. Ensure the machine is unplugged
2. Tilt the machine back onto the control handles
3. Untighten clamping handles to loosen the bottom plate, slide the blade between the two bolts until it hits the back stop (for the larger blade line up bolts into the slots).
4. Tighten the handles evenly while making sure the blade is straight.
5. Always lower the machine so the blade is on the floor



CLAMPING HANDLES
150mm/5.9in
BLADE

TILES / LINOLEUM / VINYL SHEETS

Use the 150mm/5.9in blade and pre-cut the flooring every 150mm for ease of removal. When removing tiles from concrete run the machine diagonally to the tile joints for faster removal

CARPET

Use the larger blade, pre-cut the carpet every 400mm/15.8in for ease of removal.

CONCRETE FLOORS


1. Blade bevel side up
2. When stripping tough surfaces you may lift the handle and raise the wheels off the ground to increase the weight of the blade onto the floor. lift up and down to find the angle that strips most effectively

WOOD FLOORS

1. Blade bevel side down
2. Always run the blade with the grain of the wood to reduce gouging (some gouging will occur)
3. Do not lift the wheels of the ground as this can cause extensive gouging

GENERAL OPERATION

1. Once the blade is installed and the machine is plugged in, tilt the machine back to raise the blade off the floor. Turn the machine on ensuring that both hands are holding the handle firmly and slowly lower it onto the floor. Brace for a backwards push.
2. Push forward slowly and strip 1 to 2 metres (3.3 - 6.5 ft) at a time, slightly overlapping each previous cut. When a strip is cut, lift the blade slightly, turn the machine off and return to the starting position.



This product can expose you to chemicals including Lead, which is known to the State of California to cause cancer and birth defects or other reproductive harm. For more information go to www.P65Warnings.ca.gov

makinex.com
Designed in Australia | Assembled in Australia

NOT A LEVERING DEVICE
USE APPROPRIATE TOOLS TO LEVER DIFFICULT OR HEAVY OBJECTS FROM FLOOR

BEWARE OF BLADE

GREASE POINT BELOW



KEEP HANDS CLEAR OF BLADE





PRODUCT DESCRIPTION AND SPECIFICATIONS

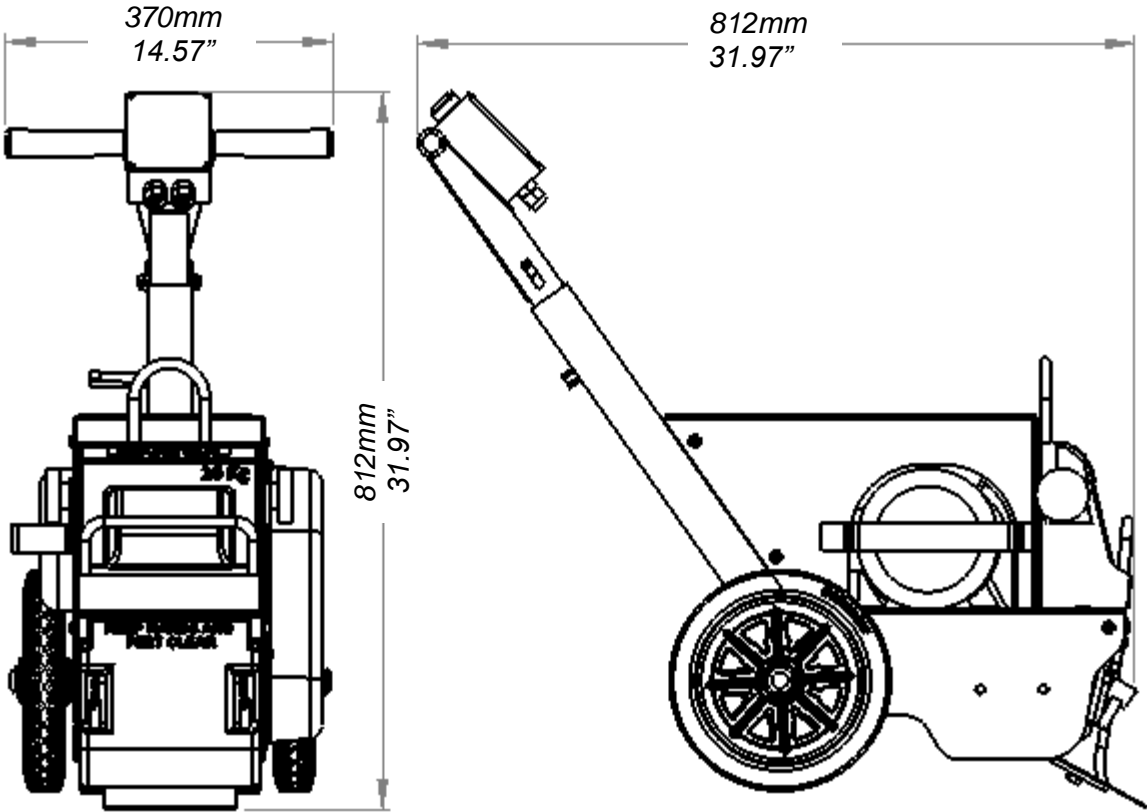
The MAKINEX VS-125 is a world-class electric floor-stripping machine used extensively in the construction and hire industry to remove coverings such as vinyl, cork and tiles from floor surfaces.

MAKINEX VS-125/ VS-125-US is solid and reliable, featuring tool-free set-up, quiet operation, and minimum ongoing maintenance.


MAKINEX VS-125/ VS-125-US Specifications		
MODEL	VS-125-US	VS-125
MOTOR	TECO SINGLE PHASE – ¾ HP, 0.55kW	
INPUT	110/220V 60Hz SINGLE PHASE 10 AMP	240V 50Hz SINGLE PHASE 4 AMP
OVERALL WEIGHT	63kg (139lb)	
REMOVABLE WEIGHT	16kg (35lb)	
DIMENSIONS	920 x 365 x 880 mm (36.2 x 14.4 x 34.65in) LENGTH x WIDTH x HEIGHT APPROX	
MAXIMUM BLADE SIZE	255x125mm (10 x 4.92in)	
RPM OF MOTOR	1735rpm	1500rpm
BLADE OSCILLATION	1851 rpm	1600rpm


FEATURES
Heavy duty needle roller bearings
Fully adjustable neck and handle
Removable blade
Convenient lifting handle & lifting eye
Rigid steel construction and stainless-steel fittings


OVERALL MACHINE DIMENSIONS




INSTRUCTIONS FOR USE

 **WARNING** Do not operate the MAKINEX VS-125/ VS-125-US without wearing the appropriate personal protective equipment and assessing the surrounding area for hazards.



 **WARNING** Read and adhere to all safety and operation instructions.

SETTING UP THE MAKINEX VS-125/ VS-125-US VINYL STRIPPER

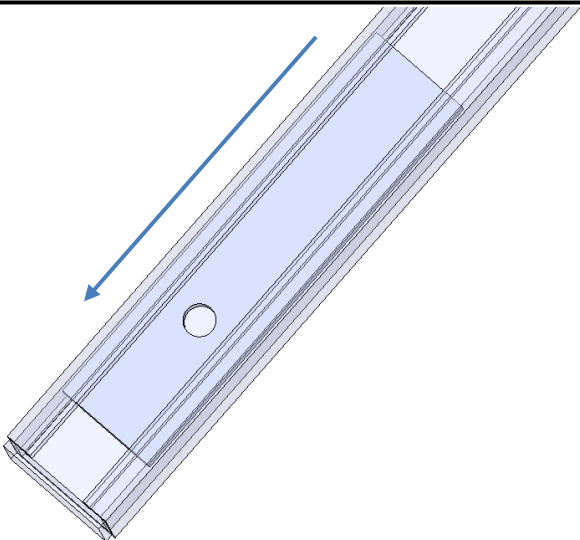
 **WARNING** When setting up, ensure the Vinyl Stripper is OFF and the power cord is unplugged.

Handle Installation and Adjustment

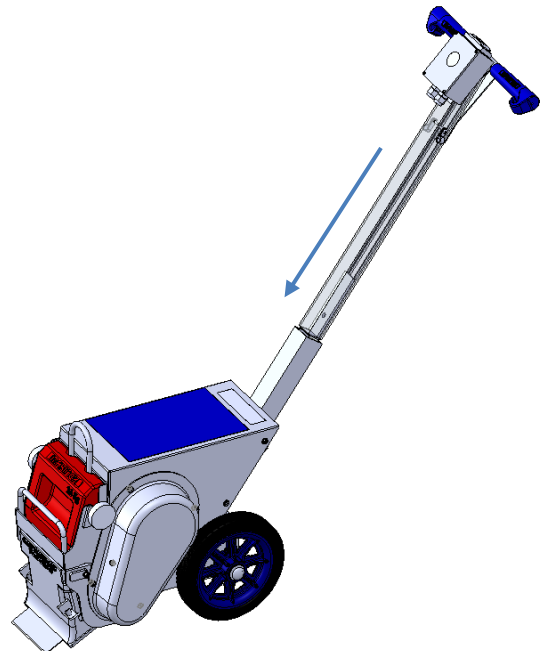
Follow the instructions below, referring to the images.

1. Insert the metal plate in the stem of the unistrut handle, with the hole closest to the bottom.

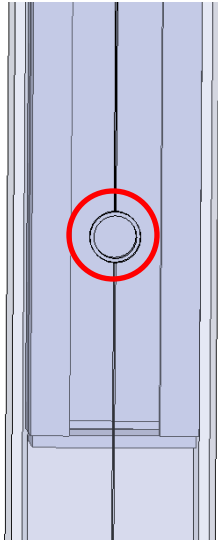
3. Insert the handle into the Vinyl Stripper with the electronic box on top.



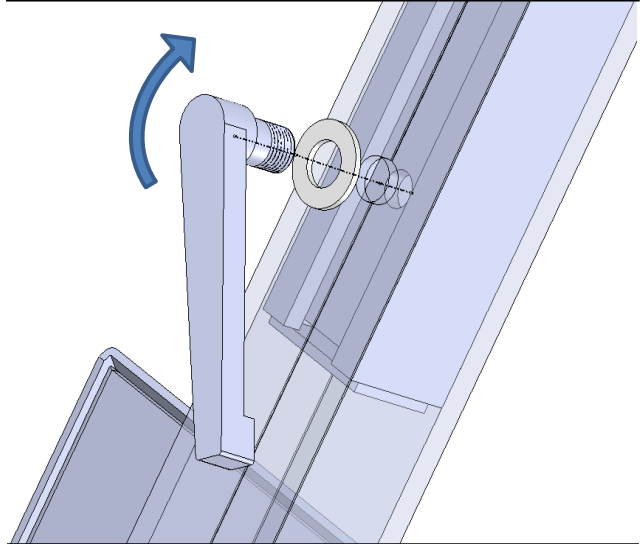
2. Push the metal plate flat along the lip (towards you).



4. Align the hole of the metal plate with the hole of the Vinyl Stripper, on the underside of the square tube.

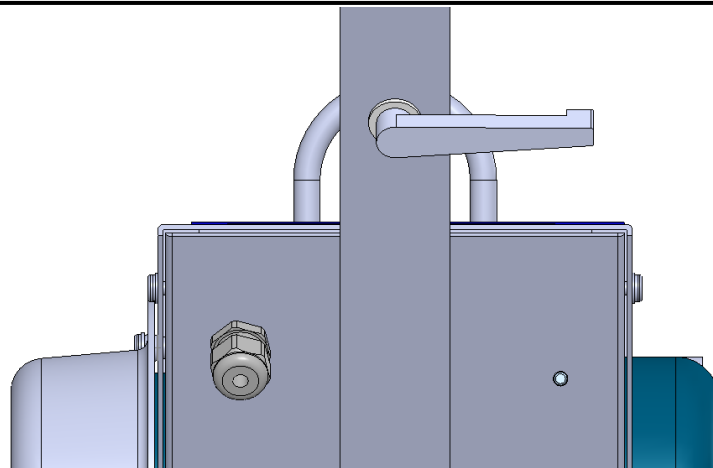


5. Twist in the threaded handle slowly and softly to ensure it goes into the threads of the metal plate.



6. If there are difficulties inserting the hands screw, re-align the holes.

7. To adjust, loosen the hand screw enough until the handle can move up and down.



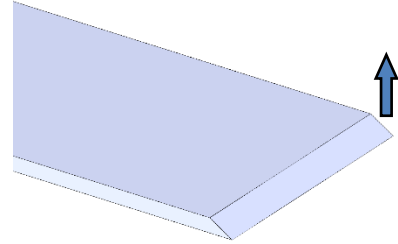
8. Tighten the hand screw securely when in required position.

Blade Orientation, Preparation and Installation



Do not insert or remove the blade with the electrical cord plugged in.

FOR CONCRETE FLOORS: Extend the blade approximately 20mm (4/5in) with the bevel facing up.

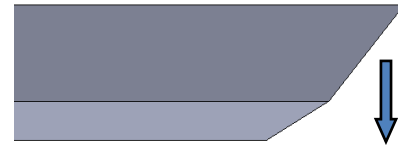


FOR TIMBER FLOORS:



Extend the blade approximately 50mm (2in) with the bevel facing the floor.

If the blade has a tendency of digging into the timber floor, extend the blade further out.



Always run the blade with the grain of the wood to reduce gouging. (However, some gouging will occur)

1. Preparation before using the Vinyl Stripper:

- i. **LINOLEUM / VINYL SHEET GOODS/ TILES – 5” Blade.** Pre-cut the flooring into 6” strips for ease of removal. Run the machine diagonally to the tile joints as it is faster and easier.
- ii. **CARPET – 5” Blade.** Pre-cut the flooring into 6” strips for ease of removal. Cut carpet every 16” for ease of removal. It is generally faster and easier to use two people, one running the machine and the other removing the materials away from the machine.

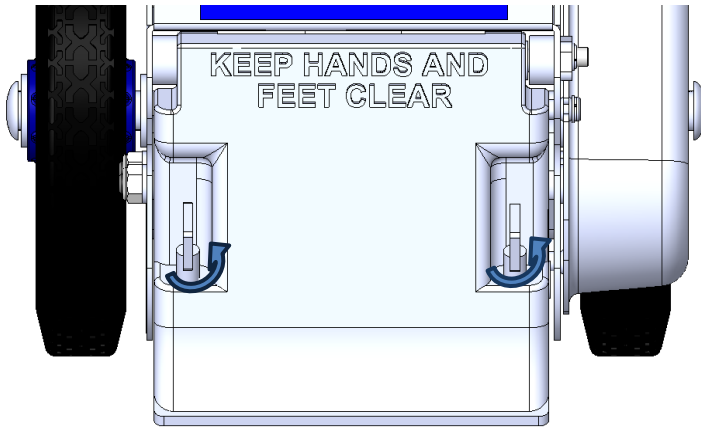


If the blades have a tendency of riding over the material you are removing, the blade may have become dull and require replacing.

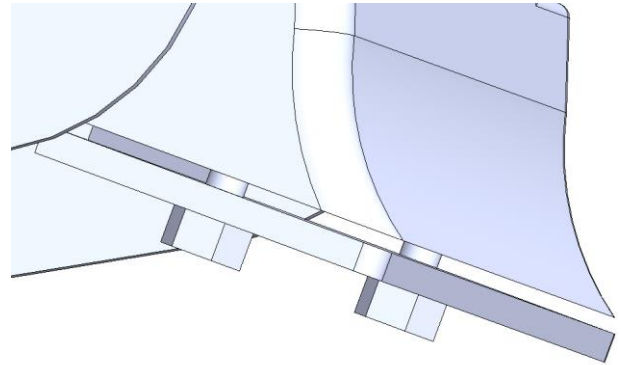
2. Installation of the blade: 5" Blade



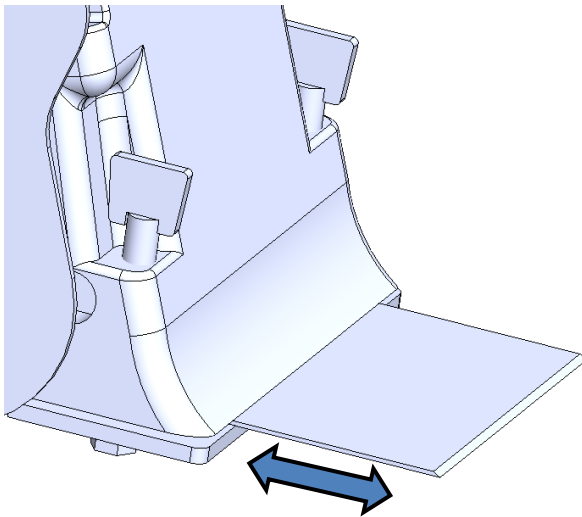
Ensure the machine is unplugged and tilt back onto the control handles.



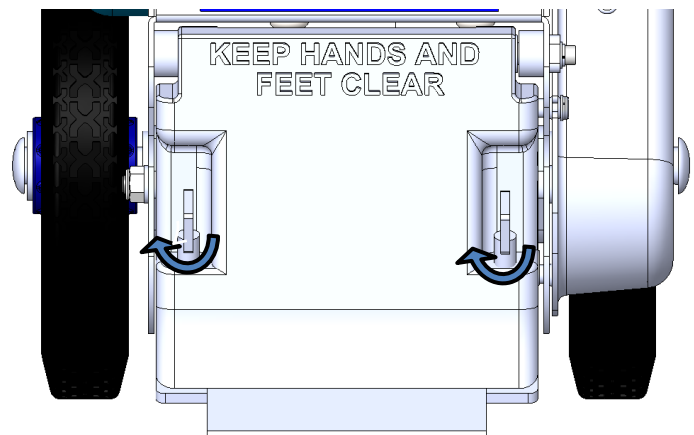
1. Turn the handles to loosen the bottom



2. Slide the blade through the gap and in between the two bolts until it hits the back stop.



3. Extend the blade to the required length.



4. Tighten the handles evenly while ensuring the blade is straight.



Ensure blade is securely placed in position and clamped tightly

OPERATING THE MAKINEX VS-125/ VS-125-US VINYL STRIPPER



Do not cut the power cord.



Before turning the machine on, make sure it is clear from the walls, humans, pets and other objects and obstructions.

1. Tilt the Vinyl Stripper is slightly upright where the stripping blade is off the floor surface.
2. Ensure the Vinyl Stripper is **OFF** then plugging the machine into a power outlet.
3. Maneuver the Vinyl Stripper to the starting position.
4. Switch **ON** the Vinyl Stripper.
5. Firmly grip both rubber handles during operation.
6. Lower the stripping blade to the target floor and push firmly to strip the flooring.



BRACE YOURSELF FOR A BACKWARD PUSH

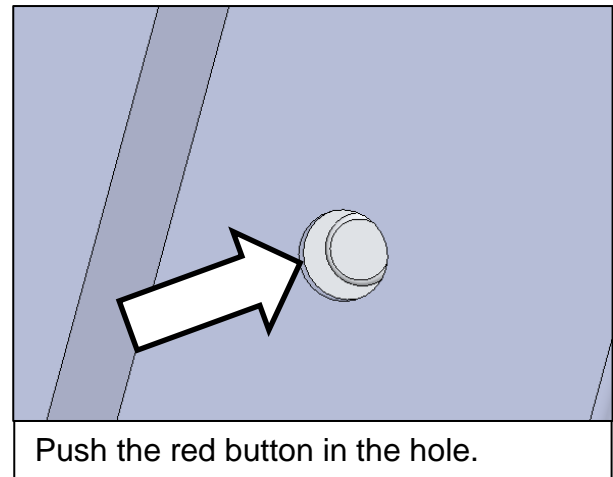
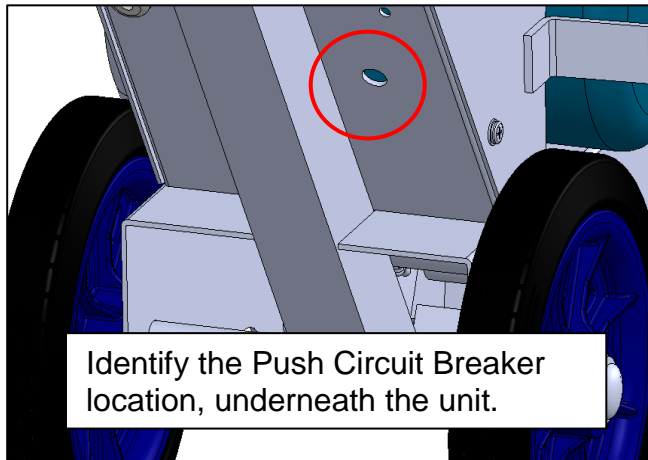
7. Push the Vinyl Stripper a short distance at a time (1 to 2m/ 3 to 6ft) whilst only using 2/3 of the blade's width.
8. Then take a step forward. It is much easier to push then step rather than push and walk at the same time. The wheels are capable for backward actions and for increased mobility.
9. After an entire strip is cut, lift it off the floor.
10. Turn the machine off.
11. Walk back to the starting position and start again.
12. When approaching a wall, strip only up to the baseboard.
13. Once task is complete, tilt the Stripper back and turn off the Stripper.



Never lift the wheels off the ground while in operation as this can cause serious gouging.

VINYL STRIPPER DOES NOT START

During operation, if the unit suddenly shuts down and does not start when it is ON, the motor overloaded and the circuit breaker was tripped. To reset the circuit breaker, do the following.



TRANSPORTING AND STORING



Follow all the steps below to ensure safety.

It is important to ensure the wheels are on the ground at all time during use, storage and transportation via the wheels.



Never transport the Vinyl Stripper with the blade installed as it can damage the product and the blade

1. Remove blade before transporting and storing.
2. Remove/ lower the handle for storage and transportation.
3. Lay protective sheet on surface of the Vinyl Stripper during storage.
4. If lifting and lowering is required, take off the removable weight from the Vinyl Stripper.



Always lift the machine with two people or alternatively use a crane on the lifting eye supplied.

MAINTENANCE

Each MAKINEX VS-125/ VS-125-US machine has been individually checked after manufacture to the highest standard. However, it is important to follow the service procedures before each use, in order to prolong the life of this product and protect the warranty conditions that apply.

Refer to Appendix for further Service Procedures.

GENERAL SERVICING

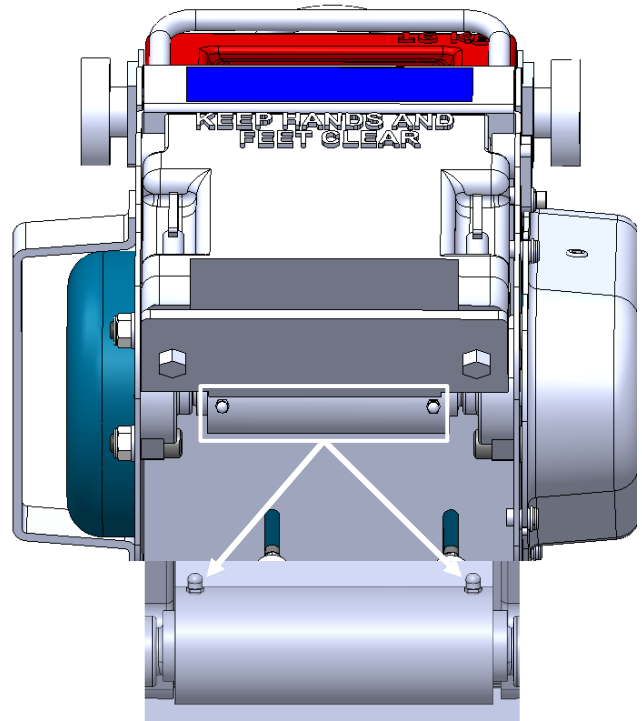
Bearing Grease Replenishment

Before use, ensure there is enough grease on the bearing to avoid bearing failure. The method to replenish the grease is as followed:

Equipment:

- Grease gun for zerk fittings
- Rag or towel

1. Lay the Vinyl Stripper on its back.
2. Locate the zerk fittings underneath the Vinyl Stripper. (See image to the right)
3. Connect the grease gun to the fitting.
4. Pump the grease until it is squeezing out of the edge of the fitting.
5. Clean off the squeezed-out grease from the fitting.



Use the recommended grease or grease with the same specification:
Castrol Premium Heavy Duty Grease



Try not to mix different grease as it can cause bearing failure

LIMITED ONE YEAR WARRANTY

A Limited One Year Warranty applies to MAKINEX VS-125/ VS-125-US only (excluding attachments and consumables). In order to take advantage of the MAKINEX limited warranty, you must have maintenance performed according to the schedule (contained in relevant owner's manual supplied with this product), by an authorised MAKINEX dealer or MAKINEX service technician. You are free to have your MAKINEX product serviced by any suitably qualified mechanic or electrician (depending on the mechanical or electrical requirement) and this will not affect your statutory warranties, however, failure by the owner to have the recommended servicing carried out by an authorised MAKINEX dealer/service technician means that you cannot take advantage of the MAKINEX limited warranty.

MAKINEX warrants each new Vinyl Stripper to be free from defects in material and workmanship under normal domestic and industrial use and service for the period specified below, conditional to the limitations and exclusions printed on this page. This warranty applies only to new MAKINEX Vinyl Stripper distributed by us and by our authorised MAKINEX dealers.

Under the limited warranty and at MAKINEX's discretion, upon evaluation, inspection and testing by a MAKINEX dealer or a MAKINEX service technician, MAKINEX will repair and replace of defective part(s).

AUSTRALIA: Our goods come with guarantees that cannot be excluded under the Australian Consumer Law. You are entitled to a replacement or refund for a major failure and compensation for any other reasonably foreseeable loss or damage. You are also entitled to have the goods repaired or replaced if the goods fail to be of acceptable quality and the failure does not amount to a major failure.

Part	Warranty Provider	Time
MAKINEX VS-125	MAKINEX	1 year
MAKINEX VS-125-US	MAKINEX	1 year

WARRANTY EXCLUSIONS

This warranty does not cover the following repairs and equipment:

NORMAL WEAR

The Vinyl Stripper needs periodic service and genuine parts to perform well. This warranty does not cover repair when normal use has exhausted the life of a consumable part for example the oil filter and fuel filter.

INSTALLATION AND USE

This warranty will not apply to parts and/or labour if this unit is deemed to have been misused, neglected, involved in an accident, abused, loaded beyond the generator's limits, modified and installed improperly.

OTHER EXCLUSIONS

This warranty excludes:

- Maintenance services cost.
- Expedited freight costs.
- Cosmetic damage such as paint, decals, etc.
- Problems caused by accidents, improper storage, handling and shipping.
- Accessory parts such as Vinyl Stripper blades.
- Failures due to acts of God and other force majeure events beyond the manufacturer's control.
- Problems caused by parts that are not from the original manufacturer.

OWNER'S RESPONSIBILITY UNDER LIMITED WARRANTY:

Strict adherence to the maintenance checks and with **proof of scheduled maintenance history** is required by an authorised agent or qualified mechanic. It is the consumer's responsibility to deliver the machine in question to our service premises or to the premises of our appointed agent at the consumer's expense for replacement or repair as applicable. Maintenance services are not covered under warranty.

Claim Procedure

- Contact MAKINEX by phone or email informing us of your machines problem or defect.
- Once the extent of the claim has been assessed, we retain the right to compensate the consumer for such defect, or repair (parts & labour), or replace the machine under warranty.
- All warranties will be carried out by MAKINEX authorised staff or appointed agents at a premises to be determined by the Manufacturer.
- It is the responsibility (and cost) of MAKINEX or our appointed agent to return the machine to be repaired or replaced under warranty to the consumer- this is valid for domestic territories only (e.g. Australian units will be delivered within Australian territory, USA units will be delivered within USA territory and European units will be delivered within its designated country's territories).
- Warranty calls will only be carried out by our representatives and not via client's choice of repairer. We will not accept back charges for any work not carried out by our representatives, or accept any charges due to equipment being un-operational for any reason even during its warranty period.