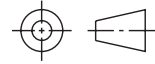
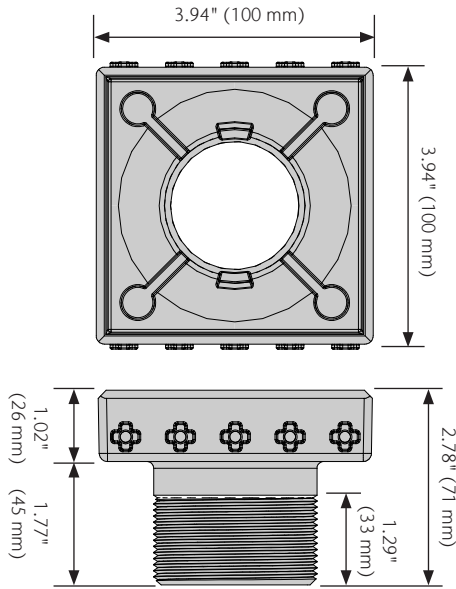


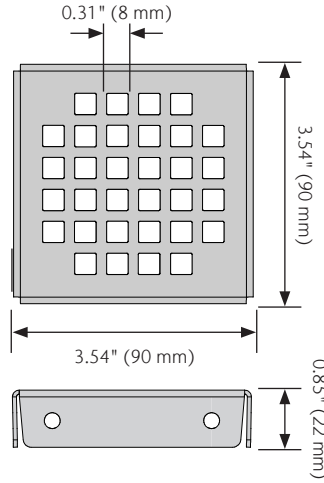
Plus ShowerPoint - 4" Point Drains



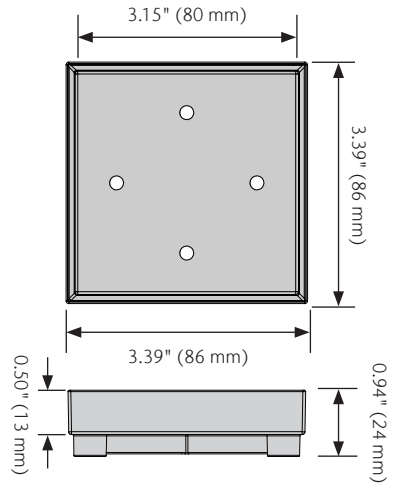
4" Point Drain Body



4" Square Grate



4" Tile-In Grate



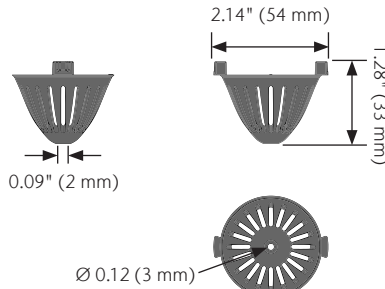
Each product includes:

- (1) Point Drain Body
- (1) Grate Option
- (1) Drain Flange
- (1) Strainer
- (1) Grouting Plate
- (1) Grate Lifting Key
- Installation Instructions

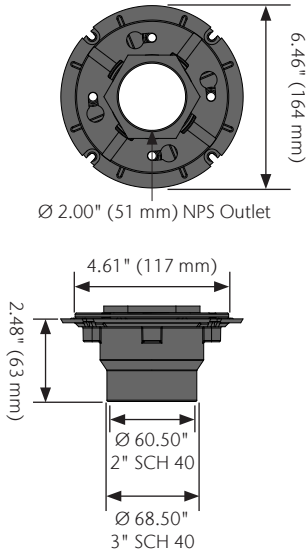
Parts

Part No.	Grate Material	Intake in <sup>2</sup> (cm <sup>2</sup> )	Weight lbs	
4" Square - Polished Chrome	143126	AISI 304	3.2 (20.5)	1.5
4" Square - Matte Black	143127	AISI 304	3.2 (20.5)	1.5
4" Square - Satin Bronze	143128	AISI 304	3.2 (20.5)	1.5
4" Square - Brushed Nickel	143125	AISI 304	3.2 (20.5)	1.5
4" Tile-In	143129	ABS	1.7 (10.7)	1.2

Strainer



Drain Flange Coupling



Specification Clause

4" Point Drain Body material is ABS. ACO Plus ShowerPoint is available in complete units only. ACO recommends checking local plumbing codes prior to installation.

ACO, Inc.

West Sales Office  
825 W. Beechcraft Street  
Casa Grande, AZ 85122  
Tel: (520) 421-9988  
Toll-Free: (888) 490-9552  
Fax: (520) 421-9899

Northeast Sales Office  
9470 Pinecone Drive  
Mentor, OH 44060  
Tel: (440) 639-7230  
Toll-Free: (800) 543-4764  
Fax: (440) 639-7235

Southeast Sales Office  
4211 Pleasant Road  
Fort Mill, SC 29708  
Toll-Free: (800) 543-4764  
Fax: (803) 802-1063

info@acousa.com  
www.acousa.com

© November 2020 ACO, Inc.

All reasonable care has been taken in compiling the information in this document. All recommendations and suggestions on the use of ACO products are made without guarantee since the conditions of use are beyond the control of the company. It is the customer's responsibility to ensure that each product is fit for its intended purpose and that the actual conditions of use are suitable. ACO, Inc. reserves the right to change products and specifications without notice.

ACO. creating the future of drainage



ACO Specification Information