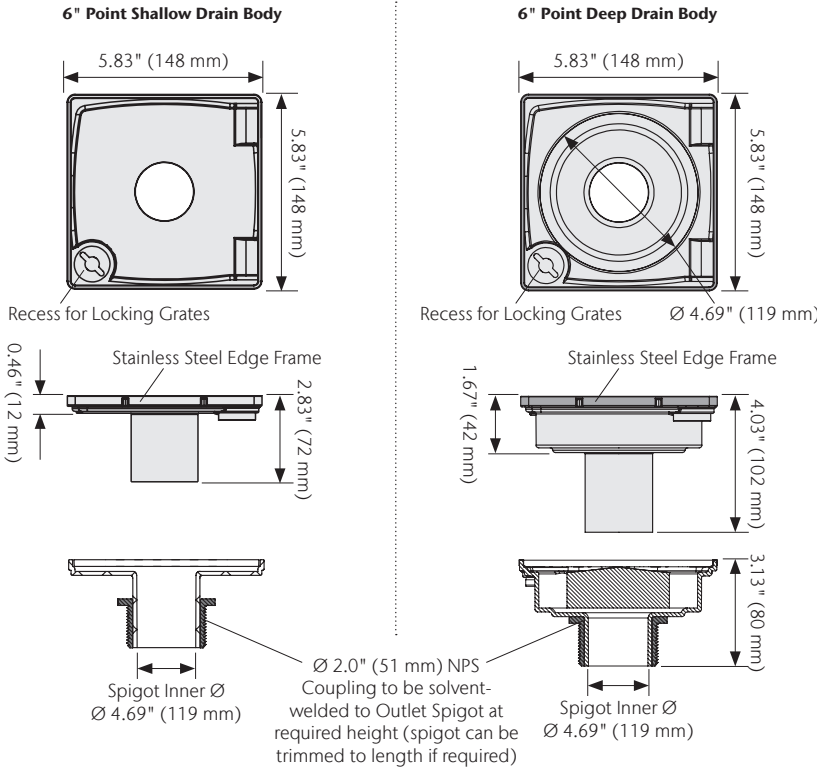


Premium ShowerPoint - 6" Mix Point Drain



Specification Clause

The Premium ShowerPoint point drain body shall be chrome-plated ABS plastic as manufactured by ACO, Inc. A decorative stainless steel edge frame shall also be provided. The locking*/non-locking* grate shall be manufactured from grade 304 stainless steel with Mix slot design.

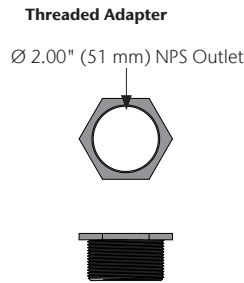
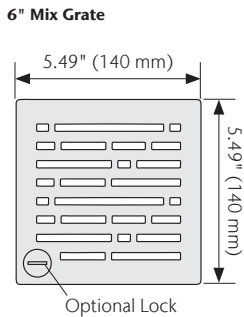
Shower outlet shall be a 5.83" (148 mm) square, with a 2.00" (50 mm) outer diameter outlet spigot. Grate shall provide a minimum intake area of 6.70 in² (43.3 cm²). Outlet shall provide minimum outlet flow rate of 12.7 GPM where installed to allow 0.20" (5 mm) head of water OR 22.2 GPM where installed to allow 0.60" (15 mm) head of water.

Connection to plumbing shall be either with 2" NPS threaded coupling (supplied with outlet) that shall be solvent welded to outlet spigot*/2" no-hub adjustable coupling (available from ACO or others)*, or a solvent weld connection*.

ACO recommends checking local plumbing codes prior to installation.

The system shall be installed in accordance with the manufacturer's instructions and recommendations.

*Delete as necessary.



Each product includes:

- (1) Point Drain Body
- (1) Mix Grate
- (1) Threaded Adapter
- (1) Grate Lifting Key
- Installation Instructions

Parts	Body Type	Part No.	Grate Material	Intake in ² (cm ²)	Weight lbs
6" Point Drain Body w/ Mix Grate (Locking)	Deep	37231	AISI 304	6.70 (43.3)	1.6
6" Point Drain Body w/ Mix Grate (Non-Locking)	Deep	37222	AISI 304	6.70 (43.3)	1.6
6" Point Drain Body w/ Mix Grate (Non-Locking)	Shallow	37457	AISI 304	6.70 (43.3)	1.6

ACO, Inc.

West Sales Office
825 W. Beechcraft Street
Casa Grande, AZ 85122
Tel: (520) 421-9988
Toll-Free: (888) 490-9552
Fax: (520) 421-9899

Northeast Sales Office
9470 Pinecone Drive
Mentor, OH 44060
Tel: (440) 639-7230
Toll-Free: (800) 543-4764
Fax: (440) 639-7235

Southeast Sales Office
4211 Pleasant Road
Fort Mill, SC 29708
Toll-Free: (800) 543-4764
Fax: (803) 802-1063

info@acousa.com
www.acousa.com

© March 2021 ACO, Inc.

All reasonable care has been taken in compiling the information in this document. All recommendations and suggestions on the use of ACO products are made without guarantee since the conditions of use are beyond the control of the company. It is the customer's responsibility to ensure that each product is fit for its intended purpose and that the actual conditions of use are suitable. ACO, Inc. reserves the right to change products and specifications without notice.

ACO. creating the future of drainage



ACO Specification Information