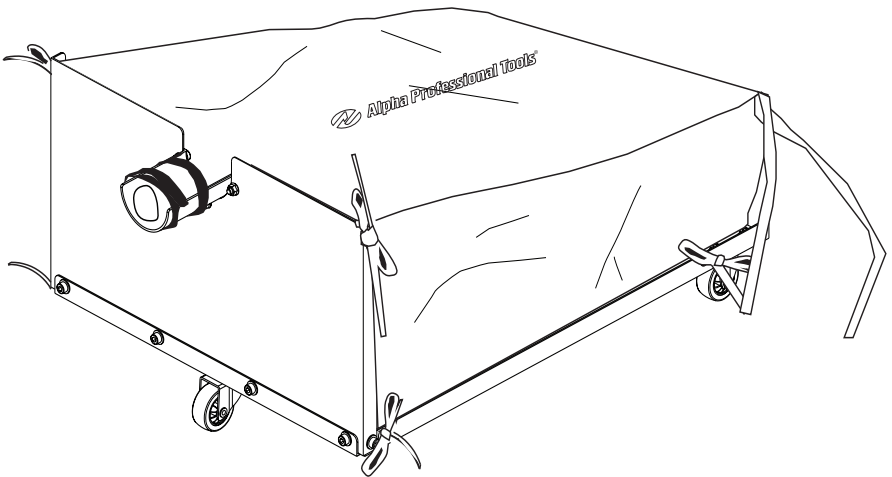


Alpha[®] Dust Bag Carriage Instruction Manual



Part No: ECO-CARS
Version 1

 **Alpha Professional Tools**[®]

103 Bauer Drive, Oakland, NJ 07436 • 800-648-7229 • Fax: 800-286-0114
www.alpha-tools.com

► TABLE OF CONTENTS

ECO-CARS Overview..... 3
Accessories 4
Assembly of ECO-CARS 5
ECO-CARS Schematic..... 6
ECO-CARS Parts List..... 7

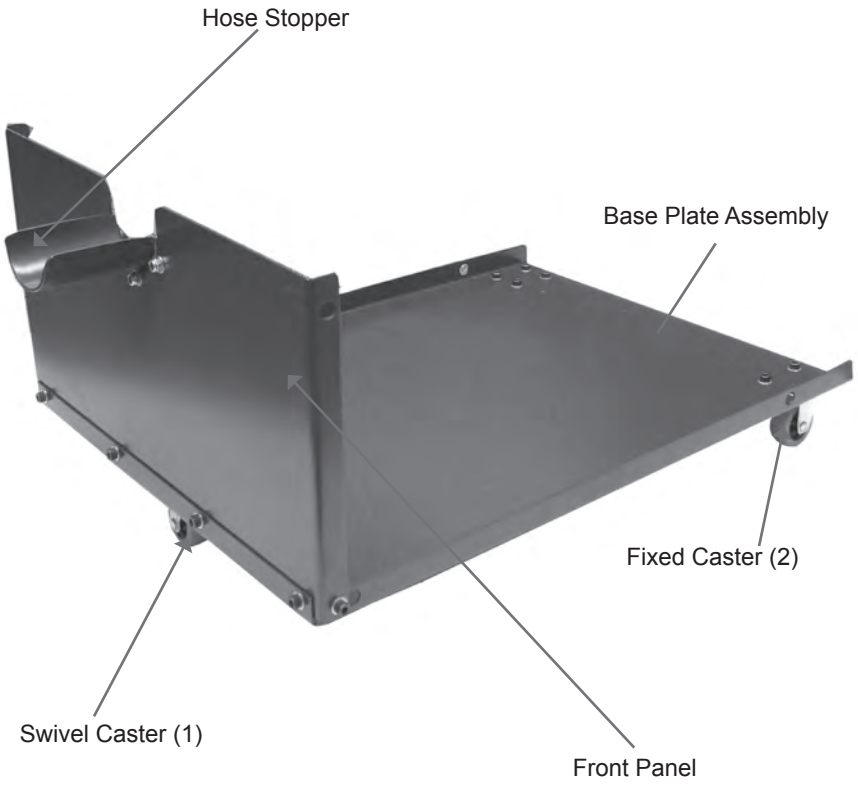
► SERVICE

Use only Alpha Professional Tools® accessories and spare parts. Should components which have been described need to be exchanged, please contact your dealer or Alpha Professional Tools®.

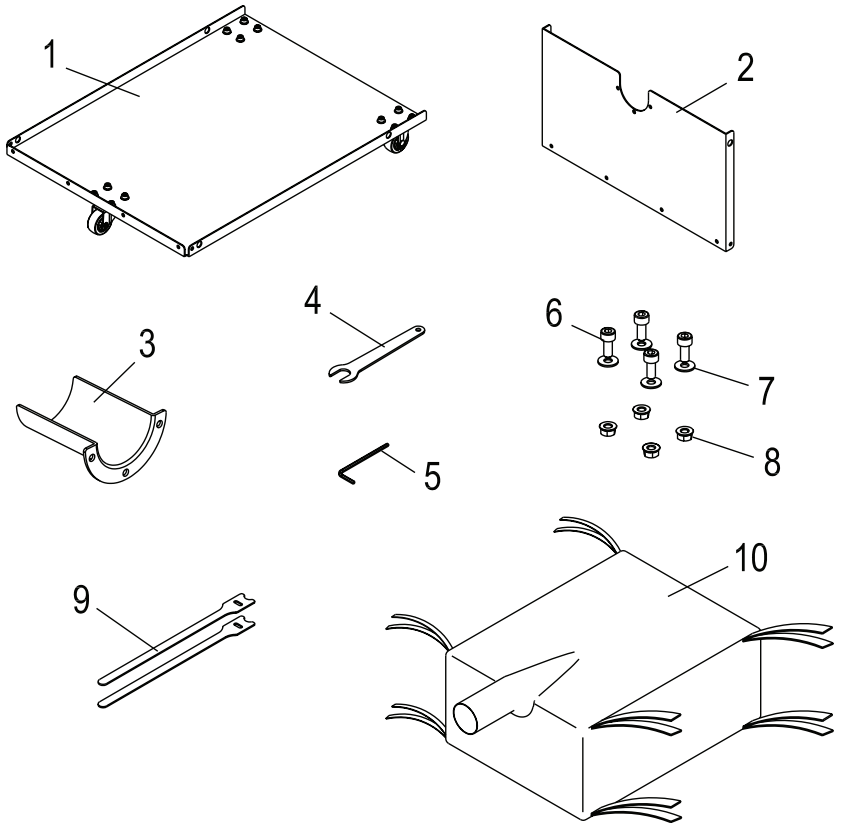
► NEED MORE INFORMATION

For information on Alpha Professional Tools® complete product line, visit us on the web at www.alpha-tools.com.

ECO-CARS OVERVIEW



ACCESSORIES

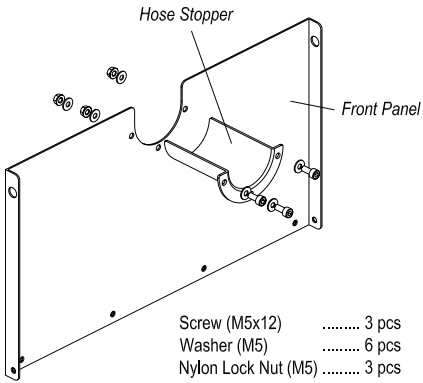


► COMPONENTS

1. Base Plate Assembly	1 pc
2. Front Panel	1 pc
3. Hose Stopper	1 pc
4. Spanner (8mm)	1 pc
5. 5 Hex. Wrench (4mm)	1 pc
6. Screw (M5x12)	21 pcs
7. Washer (M5)	42 pcs
8. Nylon Lock Nut Flange (M5)	21 pcs
9. Hook & Loop Strap	2 pcs
10. Dust Bag (16"x13-1/2"x8")	1 pc

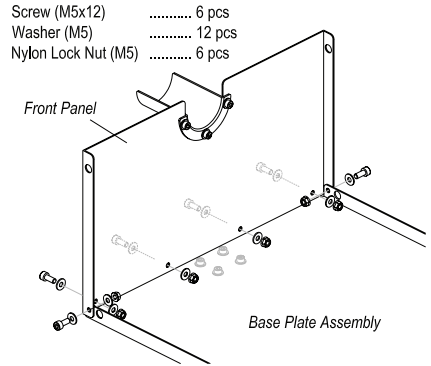
ASSEMBLY OF ECO-CARS

①



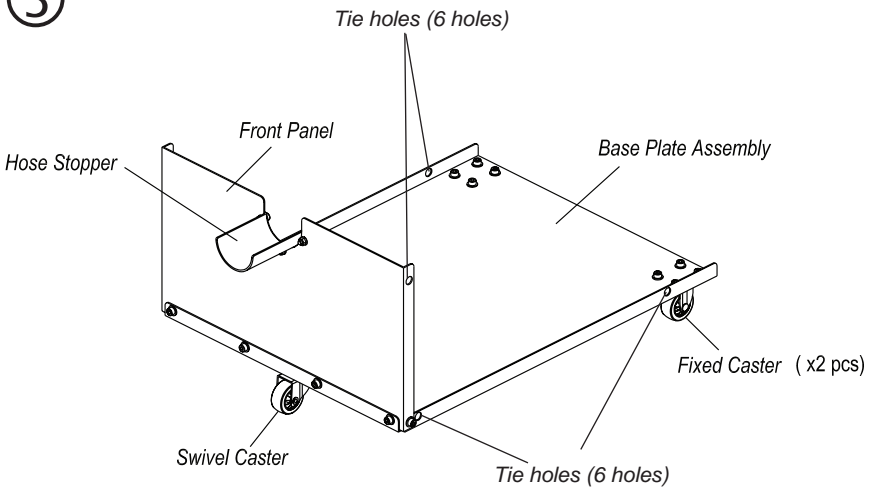
(Figure 1)

②



(Figure 2)

③



(Figure 3)

④

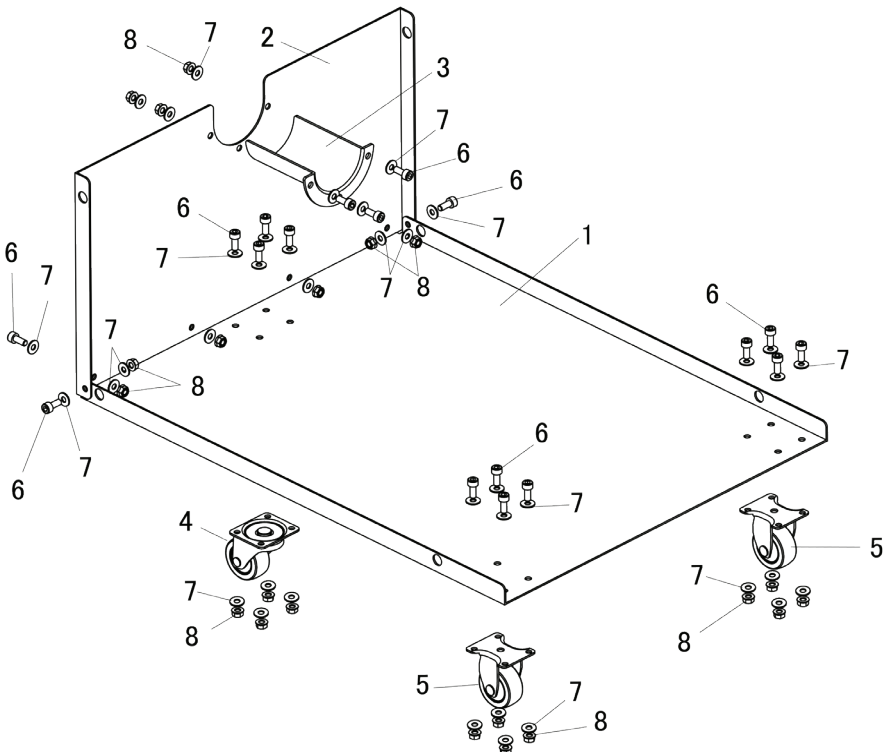


Figure 4

1. Thread straps through the tie holes (6 holes as shown in Figure 3).
2. Tie each corner to secure the dust bag (as shown in Figure 4).

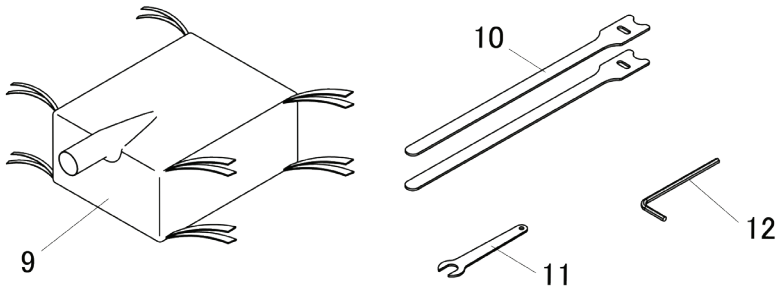
Note: The two upper straps at top back of the dust bag are not necessary for this new model of ECO-CARS. But is available for our previous model.

ALPHA® ECO-CARS SCHEMATIC (ECO-CARS)



ALPHA® ECO-CARS SCHEMATIC (ECO-CARS), (CONT'D)

ACCESSORIES



ALPHA® ECO-CARS PARTS LIST (ECO-CARS)

DRAWING NO.	PART NO.	DESCRIPTION	QUANTITY
1	801774	Base Plate	1
2	801775	Front Panel	1
3	801776	Hose Stopper	1
4	801778	Swivel Caster	1
5	801779	Fixed Caster	2
6	801780	Screw (M5x10)	21
7	801781	Washer (M5)	42
8	801783	Nylon Lock Nut with Flange (M5)	21
9	801392	Dust Bag (350*420*200)	1
10	133551	Hook & Loop Straps	2
11	801667	Spanner (8 mm)	1
12	801784	Hex. Wrench (4 mm)	1



103 Bauer Drive, Oakland, NJ 07436 • 800-648-7229 • Fax: 800-286-0114
www.alpha-tools.com

Copyright © 2013 Alpha Professional Tools. All rights reserved.