

## AR3521-D9/7

### Premium 16 Gauge 304 Stainless Steel Double Bowl Undermount Sink

**Model: AR3521-D9/7**



#### Dimensions

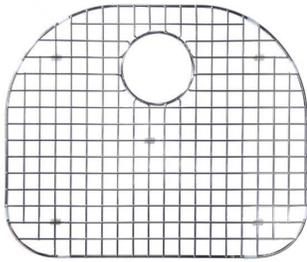
- Overall Size: 35" x 20 3/4"
- Left Bowl: 21-1/2" x 19" x 9"D
- Right Bowl: 10-1/2" x 16" x 7"D
- Drain Opening: 3 1/2"

#### Optional Accessories

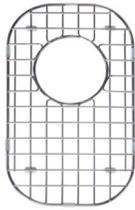
- Left Bowl Sink Grid: BG-21S
- Right Bowl Sink Grid: BG-19S
- Sink Strainer
- Stainless Steel Sink Cleaner

#### Features

- Heavy 16 gauge 304 stainless steel
- Proprietary V-Therm Shield™  
- Provides superior sound deadening and thermal retention.
- High luster satin finish
- Stain and corrosion resistant



**BG21S GRID**  
Optional



**BG19S GRID**  
Optional

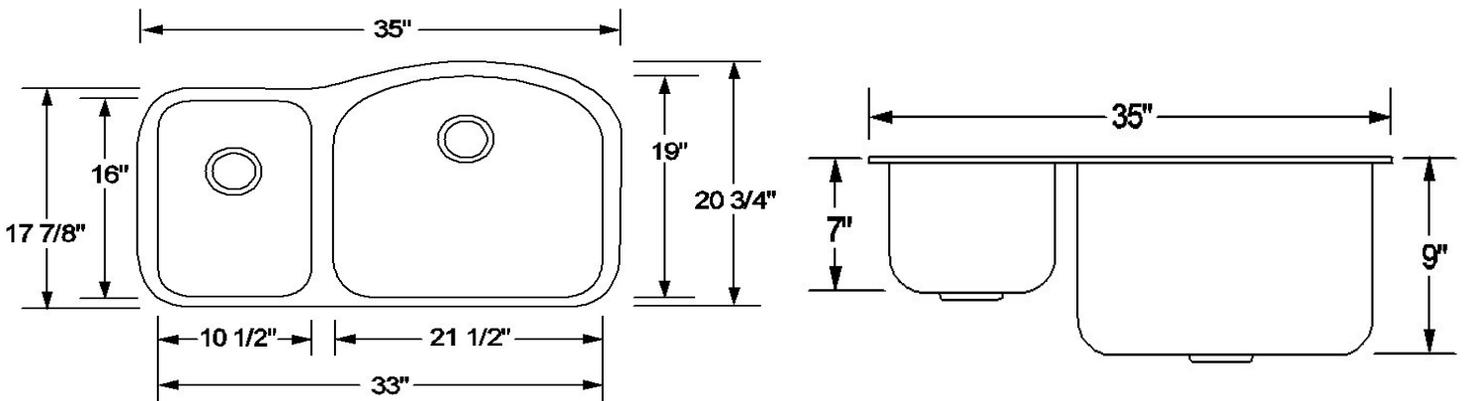


**Sink Strainer**  
Optional



**Stainless Steel Sink Cleaner**  
Optional

**Reverse Model Available:** Model AR3521-D9/7 is available with reverse bowls. Specify model AR3521-D9/7R



#### Product Specification

The undermount sink shall be 35" in length and 20 3/4" in width. Sink shall be made of 16 gauge stainless steel. Sink shall have brushed finished rim. Sink shall be a double bowl. Sink shall be an Artisan model AR3521-D9/7.

# AR3521-D9/7 R (Reverse Model)

## Premium 16 Gauge 304 Stainless Steel Double Bowl Undermount Sink

**Model: AR3521-D9/7R**

### Dimensions

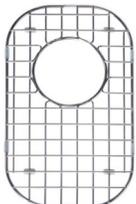
- Overall Size: 35" x 20 3/4"
- Left Bowl: 10-1/2" x 16" x 7"
- Right Bowl: 21-1/2" x 19" x 9"D
- Drain Opening: 3 1/2"

### Optional Accessories

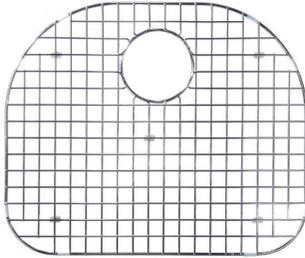
- Left Bowl Sink Grid: BG-19S
- Right Bowl Sink Grid: BG-21S
- Sink Strainer
- Stainless Steel Sink Cleaner

### Features

- Heavy 16 gauge 304 stainless steel
- Proprietary V-Therm Shield™  
- Provides superior sound deadening and thermal retention.
- High luster satin finish
- Stain and corrosion resistant



**BG19S GRID**  
Optional



**BG21S GRID**  
Optional



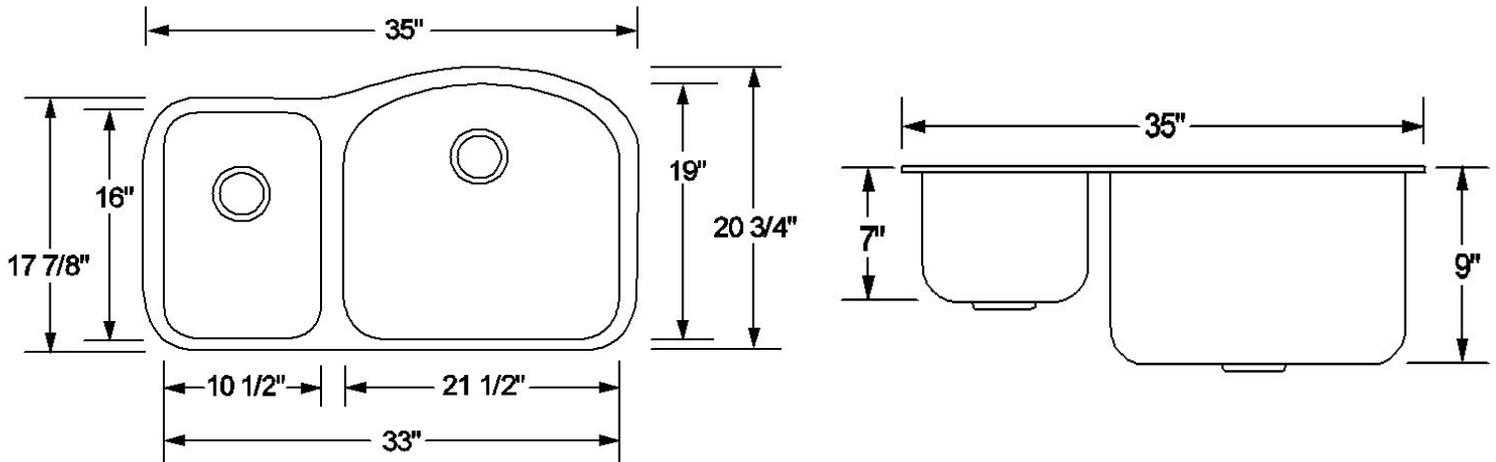
**Sink Strainer**  
Optional



**Stainless Steel Sink Cleaner**  
Optional



Complies with ASME A112.19.3-2000



### Product Specification

The undermount sink shall be 35" in length and 20 3/4" in width. Sink shall be made of 16 gauge stainless steel. Sink shall have brushed finished rim. Sink shall be a double bowl. Sink shall be an Artisan model AR3521-D9/7R.