



**BCF1570**  
**FORWARD PLATE COMPACTORS**  
**PARTS BOOK**



[www.BARTELLGLOBAL.com](http://www.BARTELLGLOBAL.com)

Doc. # OI-B00000  
Orig. Rel. – 00/2015  
Curr Rev. – 08



# BARTELL

**Bartell Morrison Inc.**  
170 Traders Blvd E  
Mississauga, Ontario, Canada  
L4Z 1W7  
Tel: (647) 953-4100  
Fax: (647) 953-4101

**Bartell Morrison USA LLC**  
200 Commerce Drive, Unit A  
Freehold, NJ, USA  
07728  
Tel: (732) 566-5400  
Toll Free: (888) 999-1570  
Fax: (732) 566-5444

**SPE International Ltd**  
Honeyholes Lane  
Dunholme, Lincoln, England  
LN2 3SU  
Tel: 01673 860709  
Fax: 01673 861119

**Innovatech**  
4701 Allmond Ave  
Louisville, Kentucky, USA  
40209  
Tel: (425) 905-9100  
Fax: (425) 405-9101

## ORIGINAL LANGUAGE

© 2019 Bartell Morrison Inc.

No part of this work may be reproduced or transmitted in any form or by any means, electronic or mechanical, including photocopying and recording, or by any information storage or retrieval system without the prior written permission of Bartell Morrison Inc. unless such copying is permitted by federal copyright laws.

Address inquiries or reference permissions care of:  
Bartell Morrison Inc., 170 Traders Blvd. E, Mississauga, Ontario, Canada, L4Z 1W7

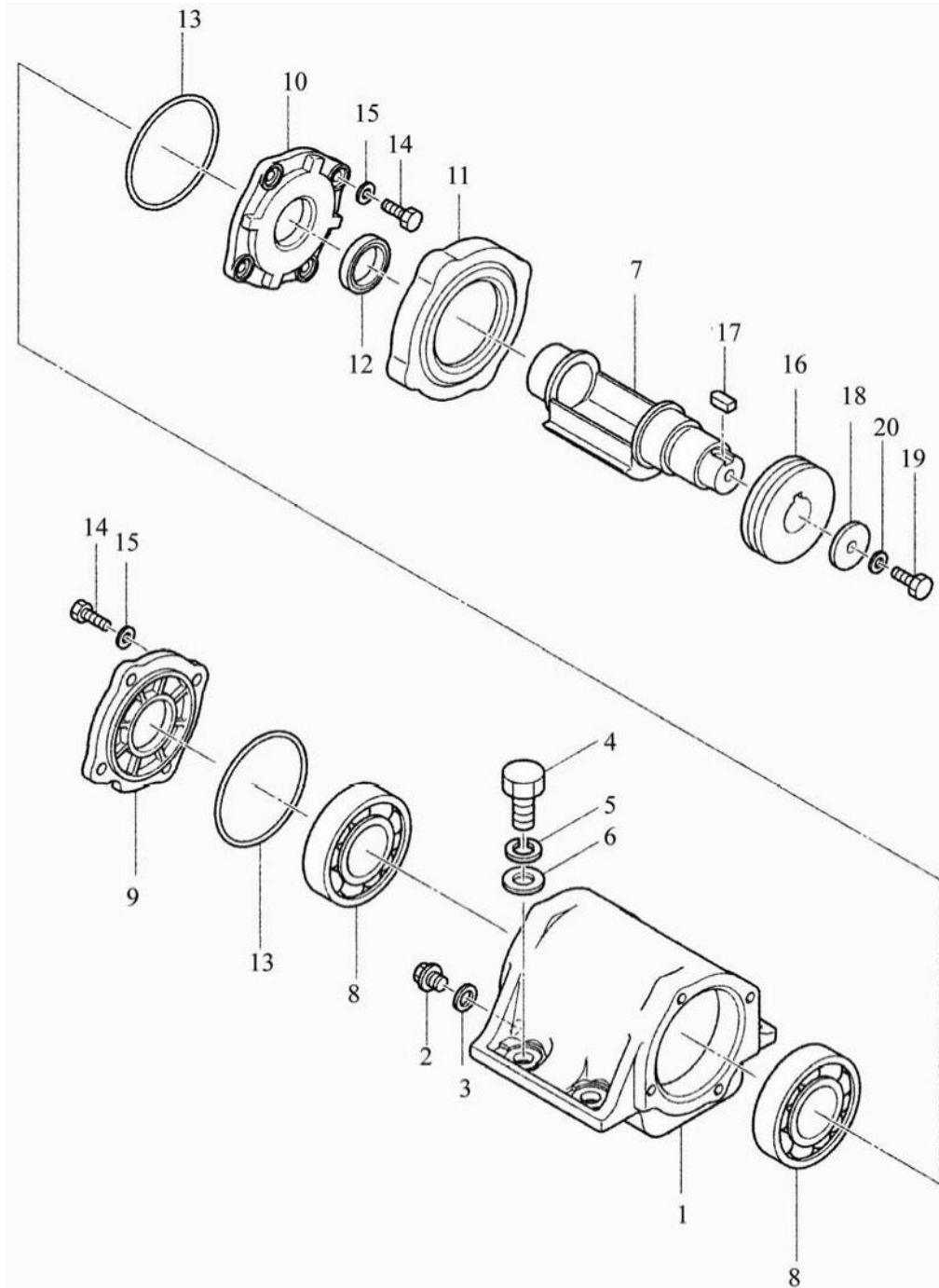
REV.	DATE	DESCRIPTION	APPROVED BY:
00	10/2013	Initial Release	AL
01	01/2014	Cover Photo Updated	AL
02	02/2014	Part Number Updated	AL
03	06/2014	Address Updated	AL
04	07/2014	Cover Page Updated	AL
05	06/2017	Format update, Part numbers updated, Address update	AN
06	10/2017	Parts list 4 updated	AN
07	11/2018	Parts list 2 updated; Item 60 added	AN
08	09/2019	Updated address, Updated P/N's	AN

## **TABLE OF CONTENTS**

<b><u>PARTS LIST 1 – FORWARD PLATE COMPACTORS</u></b>	<b><u>3</u></b>
<b>VIBRATOR: BCF1570</b>	<b>3</b>
<b>VIBRATOR: BCF1570 – PARTS LIST 1</b>	<b>4</b>
<b><u>PARTS LIST 2 – FORWARD PLATE COMPACTORS</u></b>	<b><u>5</u></b>
<b>BODY: BCF1570</b>	<b>5</b>
<b>BODY: BCF1570 – PARTS LIST 2</b>	<b>6</b>
<b><u>PARTS LIST 3 – FORWARD PLATE COMPACTORS</u></b>	<b><u>7</u></b>
<b>WATER TANK ASSEMBLY: BCF1570</b>	<b>7</b>
<b>WATER TANK ASSEMBLY: BCF1570 – PARTS LIST 3</b>	<b>8</b>
<b><u>PARTS LIST 4 – FORWARD PLATE COMPACTORS</u></b>	<b><u>9</u></b>
<b>WHEELS: BCF1570</b>	<b>9</b>
<b>WHEELS: BCF1570 – PARTS LIST 4</b>	<b>10</b>
<b><u>DECLARATION OF CONFORMITY</u></b>	<b><u>13</u></b>

## PARTS LIST 1 – FORWARD PLATE COMPACTORS

### VIBRATOR: BCF1570

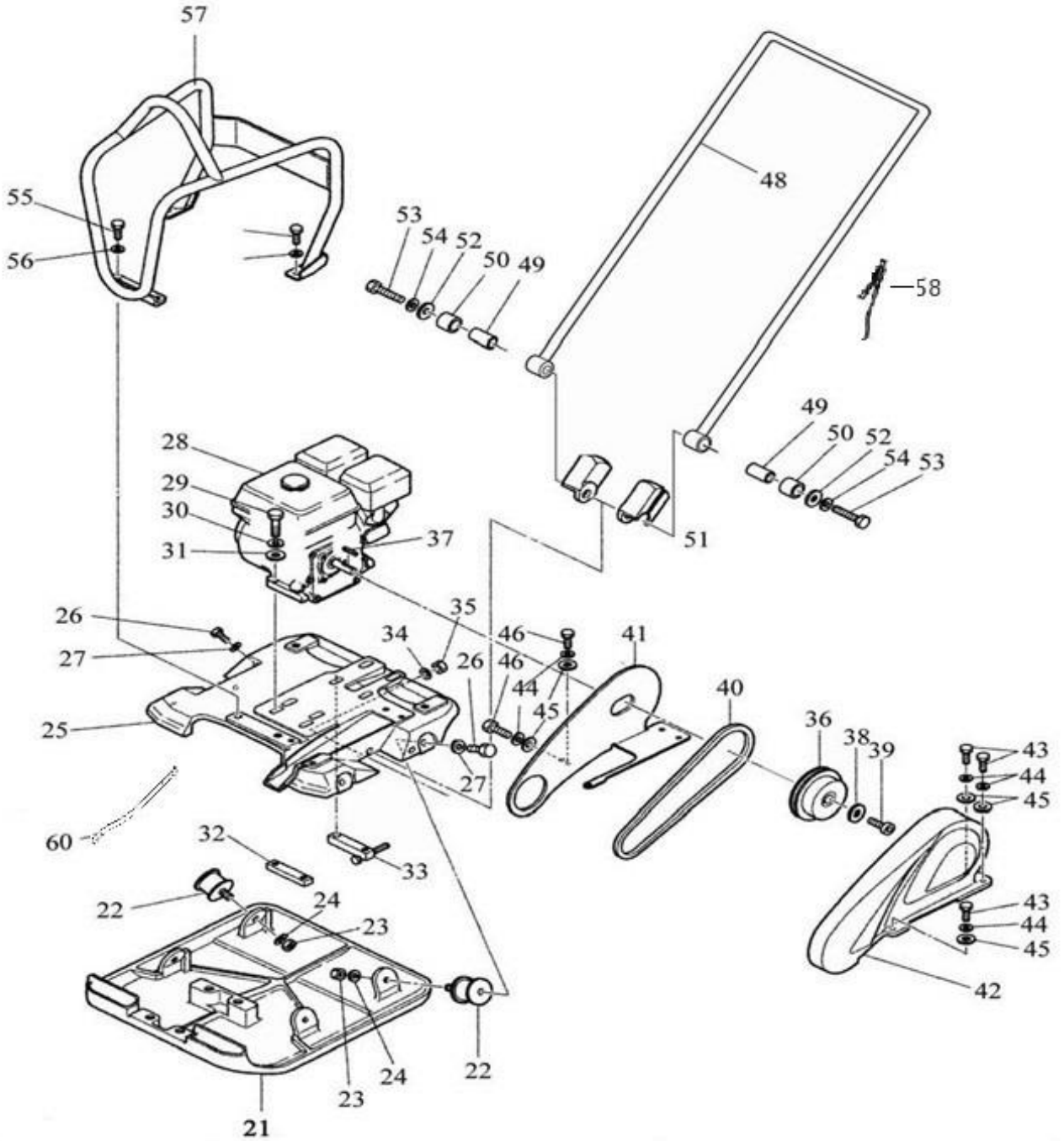


**VIBRATOR: BCF1570 – PARTS LIST 1**

Item #	Part #	Description	QTY	Remarks
-	651011	VIBRATOR ASSEMBLY	1	
1	65CPC-95-01A	VIBRATING CASE	1	
2	65CPC-95-02A	OIL PLUG, M12-1.25 x 10MM	1	
3	60848	WASHER, SEALING, M12	1	
4	651078	HHCS, M16-2.0x45MM	4	
5	31260	LOCK WASHER, M16	4	
6	31211	WASHER, FLAT, M16	4	
7	65CPC-95-07A	VIBRATOR SHAFT	1	
8	60845	BEARING 6211	2	
9	65CPC-95-09A	CASE RIGHT COVER	1	
10	65CPC-95-010A	CASE LEFT COVER	1	
11	65CPC-95-011A	BELT COVER GUARD	1	
12	60873	OIL SEAL, 35x48x10	1	
13	60843	O-RING 100 x 3	2	
14	11619	HHCS, M8-1.25x25MM	8	
15	10998 11667	LOCK WASHER, M8 WASHER, FLAT, M8	8	
16	651113	PULLEY, 2.125"	1	
17	651094	KEY 8x7x20	1	
18	14998	FENDER WASHER M10	1	
19	13348	HHCS, M10-1.5x25MM	1	
20	11621	LOCKWASHER, M10	1	

# **PARTS LIST 2 – FORWARD PLATE COMPACTORS**

**BODY: BCF1570**

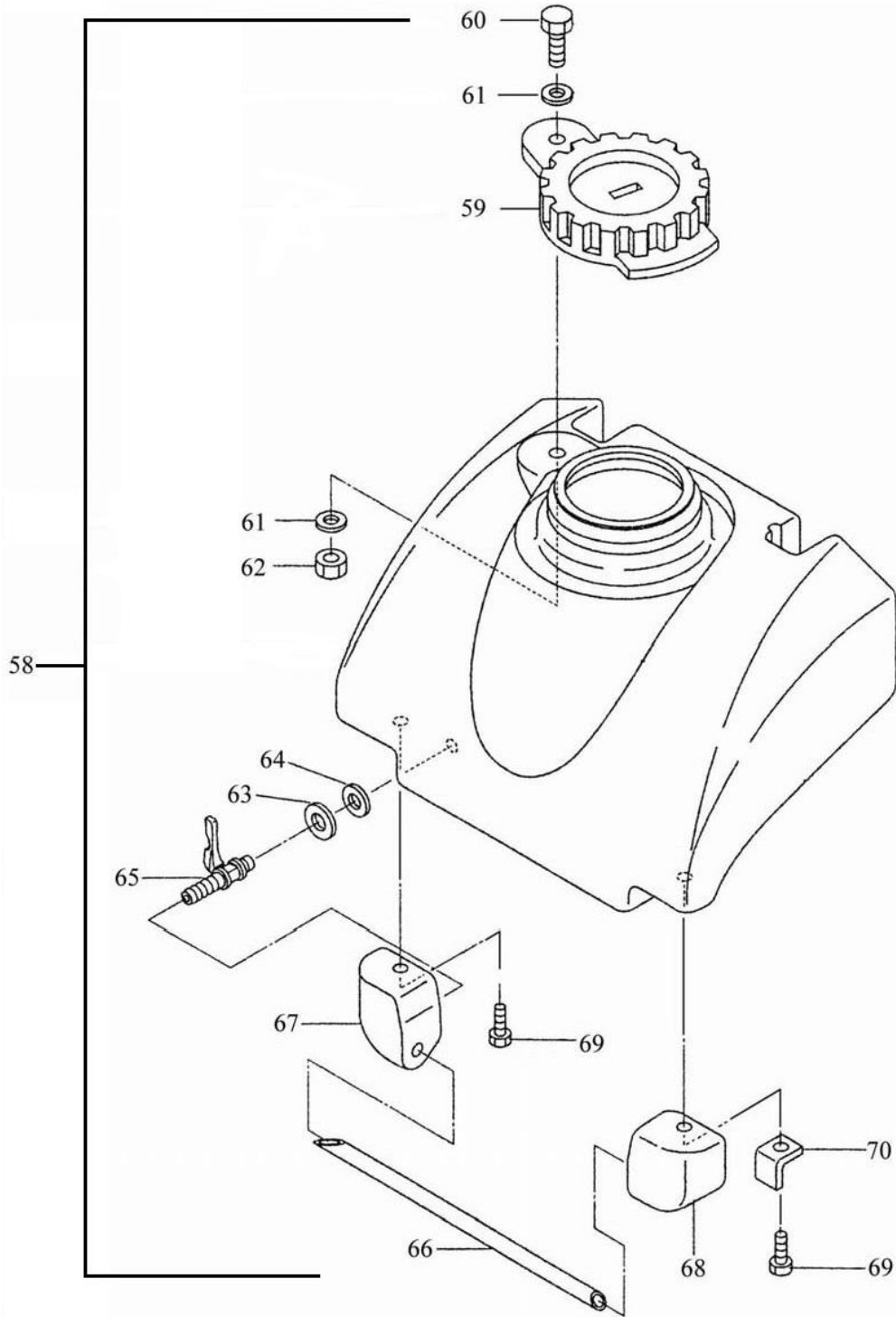


**BODY: BCF1570 – PARTS LIST 2**

Item #	Part #	Description	QTY	Remarks
21	65CPC-95-1B	VIBRATING PLATE	1	
22	651038	SHOCK ABSORBER	4	
23	11802	LOCKNUT, M10-1.5	4	
24	11621	LOCKWASHER, M10	4	
25	65CPC-95-5B	BASE	1	
26	14989	HHCS, M10-1.5x30MM	4	
27	11621	LOCKWASHER, M10	4	
28	21333-1	ENGINE, GX160	1	
29	11745	HHCS, M8-1.25x55MM	4	
30	10998	LOCK WASHER, M8	4	
31	11667	WASHER, FLAT, M8	4	
32	65CPC-95-12B	ENGINE MOUNTING BAR	1	
33	65CPC-95-13B	ENGINE MOUNTING BAR, W/ ADJUST BOLT	1	
34	11667	WASHER, FLAT, M8	1	
35	11617	LOCKNUT, M8x1.25	1	
36	30202	CLUTCH ASSEMBLY	1	
37	10208	KEY, 3/16 SQ x 1.5	1	
38	30042	CLUTCH RET WASHER	1	
39	11256	SOCKET HEAD BOLT	1	
40	30024	V-BELT, AX33	1	
41	65CPC-95-21B	BELT GUARD BACK PLATE	1	
42	65CPC-95-22B	BELT COVER	1	
43	10115	HHCS, M8-1.25x35MM	3	
44	11614	LOCK WASHER,	5	
45	11667	WASHER, FLAT, M8	5	
46	10999	HHCS, M8-1.25X20MM	2	
47	65CPC-95-27B	THROTTLE ASSEMBLY	1	
48	65CPC-95-28B	HANDLE	1	
49	65CPC-95-29B	COLLAR 13-20-44	2	
50	65CPC-95-30B	RUBBER ISOLATOR 20 x 32 x 28.5	2	
51	65CPC-95-31B	HANDLE STOPPER	2	
52	14267	WASHER, FLAT, M12	2	
53	22675	HHCS, M12-1.75x75MM	2	
54	10735	LOCKWASHER, M12	2	
55	13348	HHCS, M10-1.5x25MM	4	
56	11621	LOCKWASHER, M10	4	
57	65CPC-95-37B	GUARD HOOK	1	
58	65CPC-95-27B	THROTTLE LEVER WITH CABLE	1	
-	651133	HANDLE STOPS (NOT SHOWN)	2	
60	13098	GROUND STRAP	1	

# PARTS LIST 3 – FORWARD PLATE COMPACTORS

## WATER TANK ASSEMBLY: BCF1570



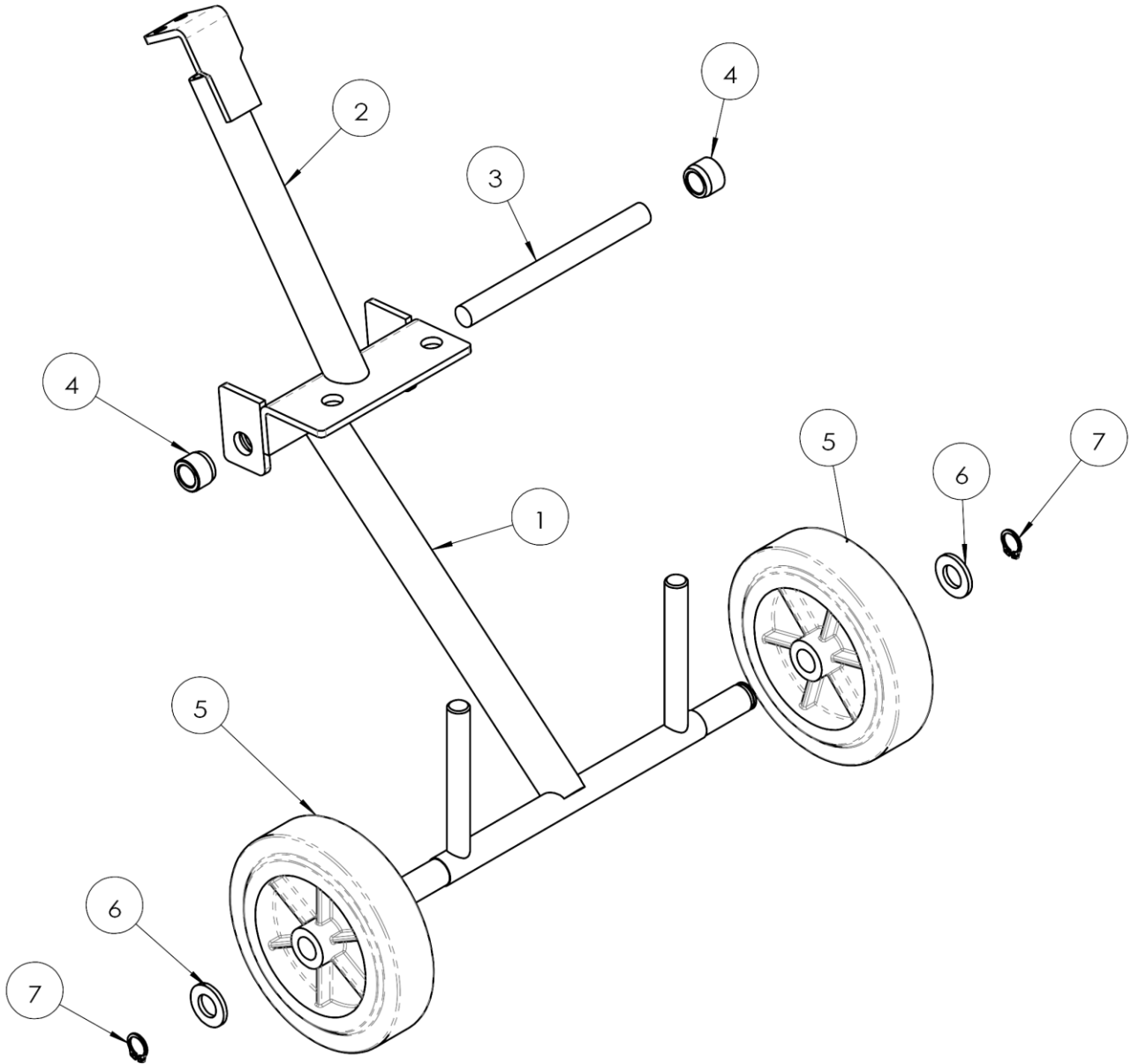


**WATER TANK ASSEMBLY: BCF1570 – PARTS LIST 3**

Item #	Part #	Description	QTY	Remarks
58	651077	WATER TANK ASSEMBLY (INCL. 59-70)	1	
59	65CPC-95-1-1C	CAP, WATER TANK	1	
60	31180	HHCS, M12-1.75X30MM	1	
61	10993	WASHER, FLAT, M12	2	
62	10956	NYLON NUT M10	1	
63	65CPC-95-2C	WASHER 14.1 x 30 x 1.6	1	
64	65CPC-95-3C	BRASS NUT (WATER VALVE)	1	
65	65CPC-95-4C	WATER VALVE	1	
66	65CPC-95-5C	SPRINKLING PIPY	1	
67	65CPC-95-6C	PIPE HOLDER LEFT	1	
68	65CPC-95-7C	PIPE HOLDER RIGHT	1	
69	10999	HHCS, M8-1.25X20MM	2	
70	11043	WASHER, FLAT, 1/4"	1	

## PARTS LIST 4 – FORWARD PLATE COMPACTORS

### WHEELS: BCF1570



**WHEELS: BCF1570 – PARTS LIST 4**

Item #	Part #	Description	QTY	Remarks
A	651097	COMPLETE WHEEL KIT	1	
1	65CPC-95-01D	WHEELS FRAME 1	1	
2	65CPC-95-1-02D	WHEELS FRAME 2	1	
3	65CPC-95-1-03D	SHAFT	1	
4	65CPC-95-1-04D	COLLAR	2	
5	651085	WHEELS	2	
6	14267	WASHER, FLAT, M12	2	
7	65CPC-95-07D	CIRCLIP M12	2	
	651042	RUBBER HOLDER (NOT SHOWN)	1	

**This Page Left Intentionally Blank**

**This Page Left Intentionally Blank**

**This Page Left Intentionally Blank**

## DECLARATION OF CONFORMITY

### **CERTIFICAT DE CONFORMITÉ / GELIJKVORMIGHEIDS CERTIFICAAT / DECLARACIÓN DE CONFORMIDAD / DECLARAÇÃO DE CONFORMIDADE / DICHIARAZIONE DI CONFORMITA**

<b>We:</b>	<b>Bartell Morrison Inc.</b> 170 Traders Blvd E Mississauga, Ontario, Canada L4Z 1W7 Tel: (905) 364-4200 Toll Free: (866) 501-1683 Fax: (905) 364-4201	<b>Bartell Morrison USA LLC</b> 200 Commerce Drive, Unit A Freehold, NJ, USA 07728 Tel: (732) 566-5400 Toll Free: (888) 999-1570 Fax: (732) 566-5444
------------	--	--

Declare under our sole responsibility that the product to which this declaration relates is in conformity with the following standard(s) or other normative documents.

Déclarons sous notre responsabilité que le produit cette déclaration est conforme aux normes suivantes ou d'autres documents habituels.

Verklaren onder onze verantwoordelijkheid dat het product naar welke de verklaring verwijst conform de volgende standaards of anders gebruikelijke documenten is.

Declaramos bajo nuestra única responsabilidad que el producto en lo que esta declaración concierne, es conforme con la siguiente normativa u otros documentos.

Declara sob sua responsabilidade que o produto a quem esta declaração interessar, está em conformidade com os seguintes documentos legais ou normas directivas.

Dichiariamo sotto la ns. unica responsabilità che il prodotto al quale questa dichiarazione si riferisce, è fabbricato in conformità ai seguenti standard e documenti di normative.

EN 349:1993	Safety of Machinery - Minimum gaps to avoid crushing of parts of the human body.
EN 418:1993	Safety of Machinery - Emergency stop equipment, functional aspects - Principles for design
EN 12100-1:2003	Safety of Machinery - Basic Concepts, general principles for design - Part 1: Basic Terminology, methodology
EN 12100-2:2003	Safety of Machinery - Basic Concepts, general principles for design - Part 2: Technical Principles
EN ISO 4872:1978	Acoustics - Measurement of Airborne noise emitted by construction equipment intended for outdoor use - Method for determining compliance with noise limits.
EN ISO 5349-1:2001	Mechanical vibration. Measurement and evaluation of human exposure to hand-transmitted vibration. General requirements
EN ISO 5349-2:2001	Mechanical vibration. Measurement and assessment of human exposure to hand-transmitted vibration. Practical guidance for measurement at the workplace.

Following the provisions of Directive(s):

Suivant les directive(s) déterminées:

Volgens de vastgestelde richtlijnen:

Siguiendo las directiva(s):

No seguimento das clausulas da Directiva(s):

Seguendo quanto indicato dalla Direttiva(s):

98/37/EC	Machinery Directive
2000/14/EC	Noise Directive
2001/95/EC	General Product Safety Directive
2002/95/EC	Reduction of Hazardous Waste Directive

# BARTELL

BARTELL GLOBAL



**Bartell Morrison Inc.**  
170 Traders Blvd E  
Mississauga, Ontario, Canada  
L4Z 1W7  
Tel: 1-647-953-4100  
Fax: 1-647-953-4101



**Bartell Morrison (USA) LLC**  
200 Commerce Drive, Unit A  
Freehold, New Jersey, USA  
07728  
Tel: 1-848-225-8100  
Fax: 1-848-225-8101



**Innovatech**  
4701 Allmond Ave  
Louisville, Kentucky, USA  
40209  
Tel: (425) 405-9100  
Fax: (425) 405-9101



**SPE International**  
Honeyholes Lane  
Dunholme, Lincoln, UK  
LN2 3SU  
Tel: +44 (0)1673 860709  
Fax: +44 (0)1673 861119



**BARTELL  
GLOBAL**

**5 BRANDS - 1 SOURCE FOR  
GREAT EQUIPMENT**

BARTELL morrison SPE Innovatech CONTEC

BARTELLGLOBAL.COM