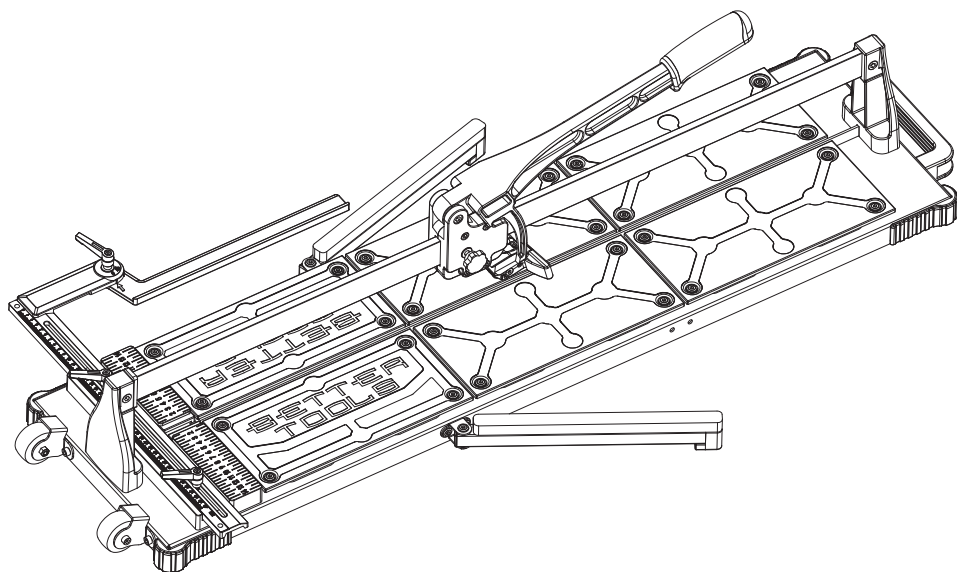


**BETTER
TOOLS**

PROFESSIONAL TILE CUTTER

INSTRUCTION MANUAL



Read through carefully
and understand these
instructions before use

Ref:8102G-2 28"/710



28" 20"x20" 5/8"
71cm 50x50cm 4-16mm

Ref:8102G-2 36"/910



36" 25"x25" 5/8"
91cm 63,5x63,5cm 4-16mm

Ref:8102G-2 48"/1220



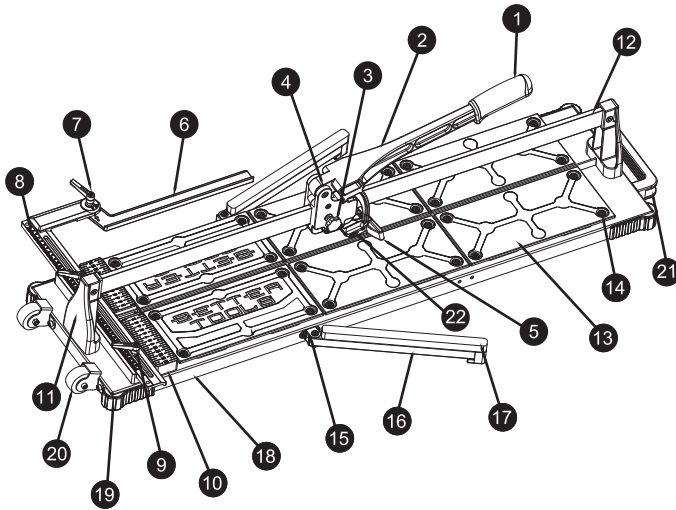
48" 34"x34" 5/8"
122cm 85x85cm 4-16mm

Ref:8102G-2 65"/1650



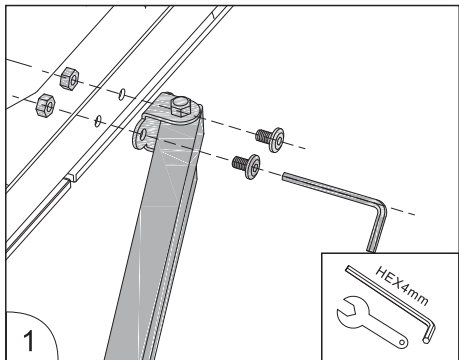
65" 46"x46" 5/8"
165cm 115x115cm 4-16mm

Specification

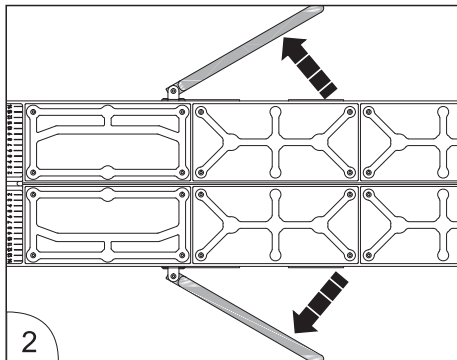


No.	Description	Qty
1.	Grip	x1
2.	Handle	x1
3.	Screw	x1
4.	Slider	x1
5.	Breaker Bar	x1
6.	Angle Guide	x1
7.	Angle Guide Dial	x1
8.	Slider Ruler	x1
9.	T shape screw	x3
10.	Scale	x1
11.	Support parts	x2
12.	Rail Bar	x2
13.	Steel Plate	
	28"/710mm	x4
	36"/910mm	x6
	48"/1220mm	x8
	65"/1650mm	x10
14.	Bolt+Nut+Spring	x4
15.	Connection Piece	x2
16.	Extension Arm	
	28"/700mm	x2
	36"/910mm	x2
	48"/1220mm	x2
	65"/1650mm	x6
17.	EVA Pad	x2
18.	Steel Base	x1
19.	Non-Slip Pad	x4
20.	Wheels	x2
21.	Transport Handle	x1
22.	Cutting Blade	x1

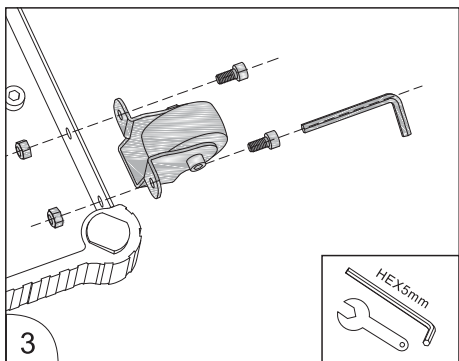
48"/1220MM, 65"/1650MM with handle and wheels



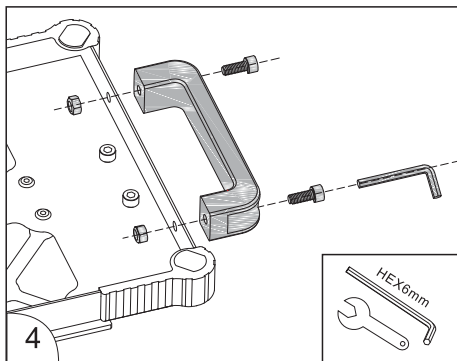
1. Install the extension arms.



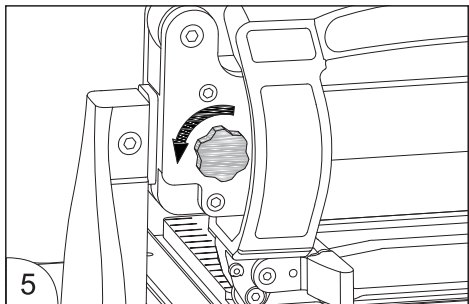
2. Adjust extension arms to support large tiles.



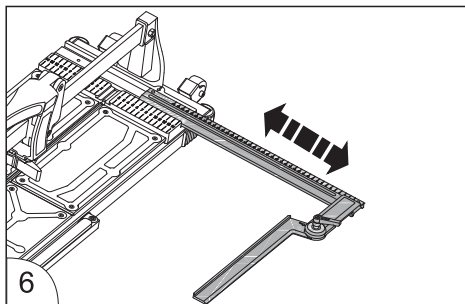
3. Install the wheels for transporting.



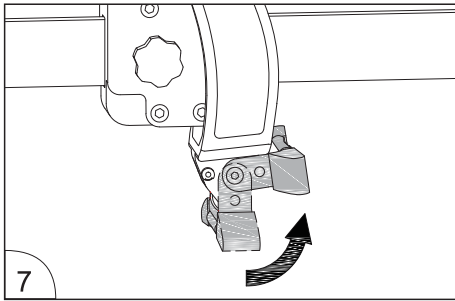
4. Install the transport handle for carrying.



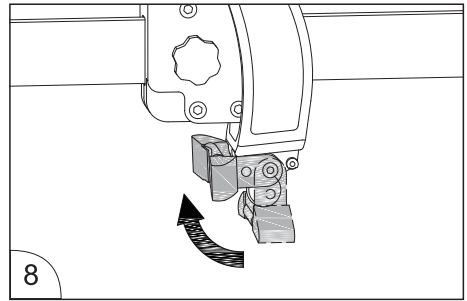
5. Loose the screw when using.



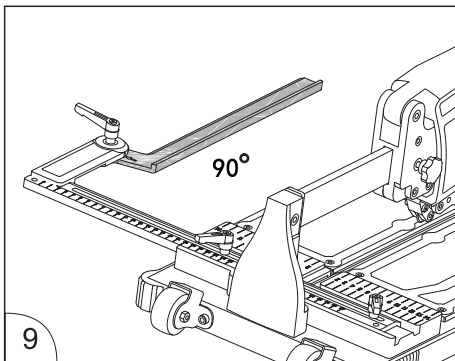
6. Adjust the slider ruler to cut different tile size.



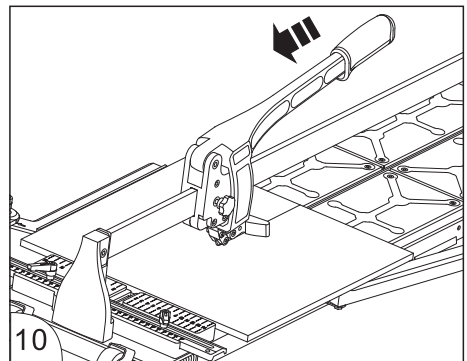
7. First option-Adjust the breaker bar towards back when cutting.



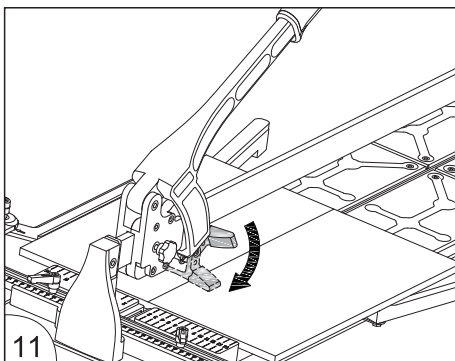
8. Second option-Adjust the breaker bar forwards when cutting.



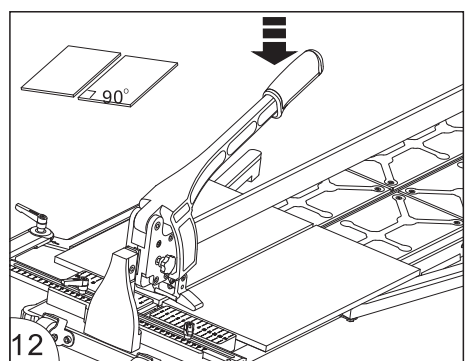
9. 90° angle guide for straight cutting.



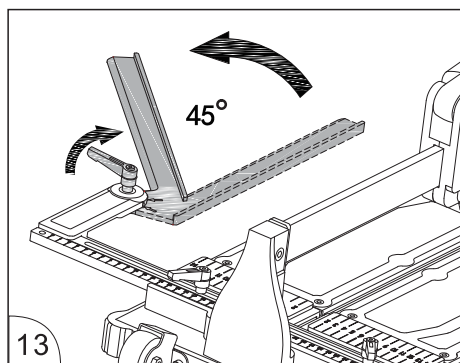
10. Push the handle to score the tile from end to front.



11. Release the breaker towards the tile.

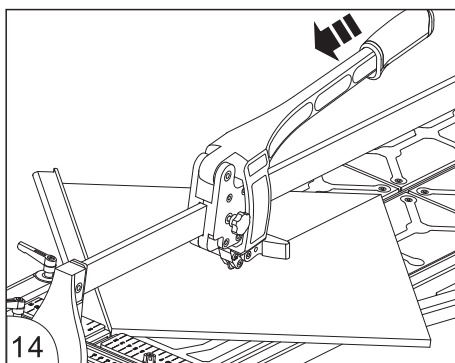


12. Press the breaker and snap the tile.



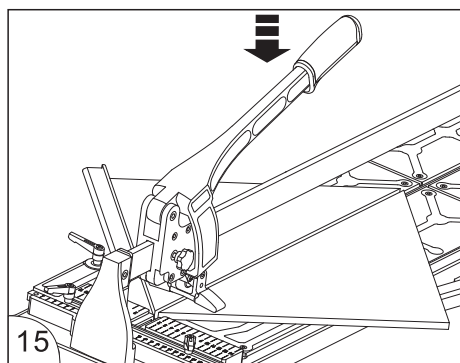
13

13. Loose the T shape screw to adjust the angle guide for angle cutting.



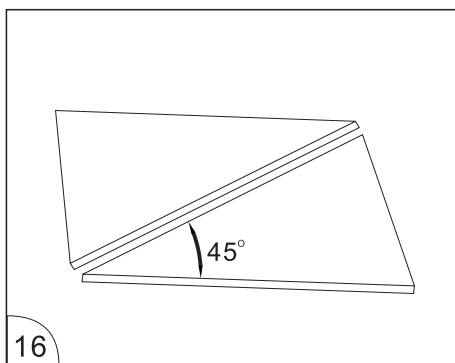
14

14. Push the handle to score the tile from end to front.



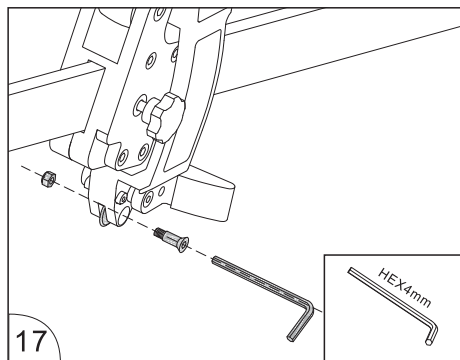
15

15. Press the breaker and snap the tile.



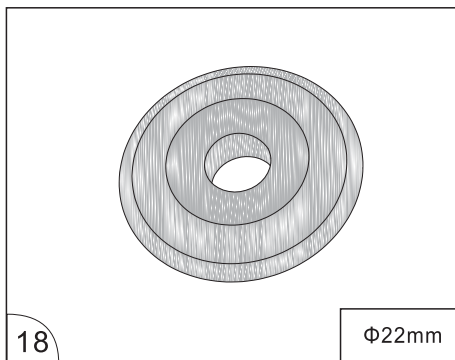
16

16. 45° angle cutting performance.



17

17. Replace the cutting blade by losing the screw.



18

18. Cutting blade size:22*6*4.6mm.

Φ22mm

WARNING 

- Safety gloves and goggles are required while operating this machine. The tile cutter machine is fitted with replaceable circle blade.
- Keep the tile cutter and cutting wheel away from children.
- After use, the machine must be stored in a safe and dry place.
- This machine has been designed for cutting and breaking glazed tile and must not be used for any other purpose.
- Always place the tile cutting machine on a level and firm surface.
- Caution! The edges of cut tiles are sharp.

GORILLA TOOLSby: **BETTER TOOLS**

Better Tools LLC
Centerville, Ohio 45459
Product of China
www.better-tools.com