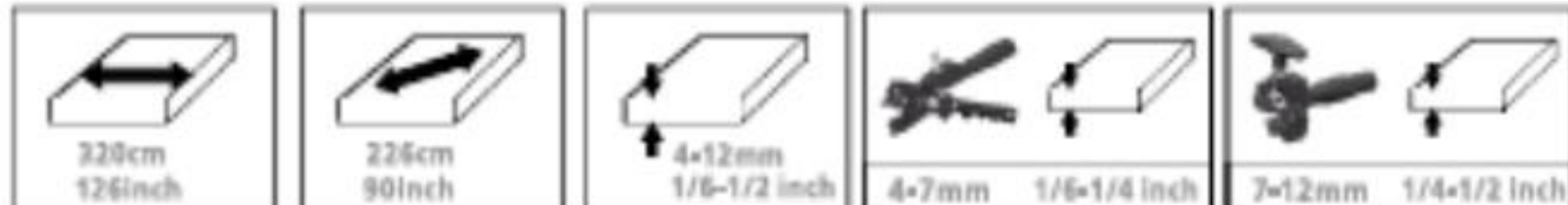


# BETTER TOOLS

## LARGE FORMAT TILE CUTTING SYSTEM

### BT128-TC

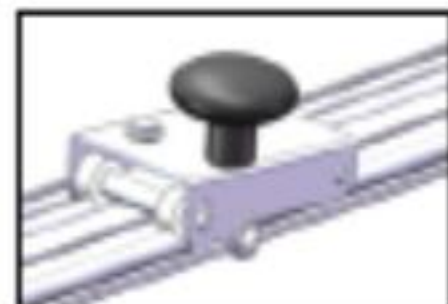


800.798.6657 [www.better-tools.com](http://www.better-tools.com)

## ■ ACCESSORIES



3X Extendable as needed with additional guides



1X Guide car with extreme scoring wheel



3X Suction cups

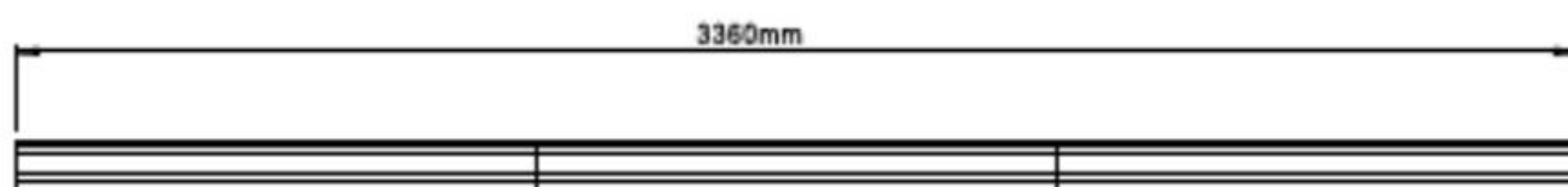
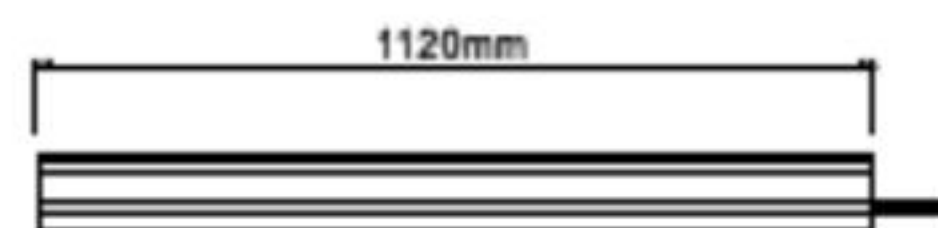


1X Pliers with rubber protection



1X Slim separator

## ■ EXTENSION STRETCH MODULE



PRECISION



LIGHT



CARRY BAG

## ■ OPERATIONS GUIDE



1. Connecting the guide rails to each other, tighten the screws with a wrench at the connection part.



2. Install suction cups on the guide rail.



3. Mark the position where you want to cut. Align the edges of the gauge to the position.



4. Make one continuous motion scoring on the tile with the guide car.



5. Align the center of the clamp with the cutting line and apply increasing pressure on the clamp until the tile snaps along the score line. Use pliers to gently clamp the edges of the tile to help it break off.

