



INSTALLATION, OPERATION & MAINTENANCE MANUAL

R & RX SERIES TOP DISCHARGE Electric Submersible Pumps

Single Phase
115V & 230V
Three Phase
230V & 460V

CAST IRON

SINGLE PHASE

R100
R250
R400
R400D
R400P
R750
R1500
R1520
R1530

THREE PHASE

R08
R15

316 STAINLESS STEEL

SINGLE PHASE

RX750SS
RX1500SS

THREE PHASE

RX08SS
RX15SS

Read this manual carefully before installing, operating or servicing these pump models. Observe all safety information. Failure to comply with instructions may result in personal injury and/or property damage. Please retain these instructions.

TABLE OF CONTENTS

| | |
|---|----|
| INTRODUCTION..... | 4 |
| SAFETY | 5 |
| INSPECTION | 6 |
| PRE-INSTALLATION INSPECTION | 6 |
| OIL FILL QUANTITY/TYPE | 6 |
| PUMP INSTALLATION | 7 |
| POSITIONING THE PUMP | 7 |
| PUMP ROTATION | 8 |
| PUMP OPERATION..... | 9 |
| TYPICAL MANUAL DEWATERING INSTALLATION..... | 9 |
| STOPPING..... | 10 |
| TYPICAL AUTOMATIC DEWATERING INSTALLATION | 10 |
| AUTOMATIC OPERATION | 10 |
| STOPPING..... | 11 |
| INTENDED METHODS OF CONNECTION..... | 11 |
| SINGLE PHASE WIRING INSTRUCTIONS | 11 |
| THREE PHASE WIRING INSTRUCTIONS..... | 12 |
| TROUBLE SHOOTING | 13 |
| PUMP WILL NOT RUN | 14 |
| PUMP RUNS BUT DOES NOT DELIVER RATED CAPACITY..... | 14 |
| R400D ONLY NOTE: THIS UNIT MAY NEED TO BE PRIMED..... | 14 |
| SERVICING YOUR SUBMERSIBLE PUMP..... | 14 |
| MAINTAINING YOUR PUMP | 14 |
| CHANGING SEAL OIL | 15 |
| EXPLODED VIEW OF R100..... | 16 |
| EXPLODED VIEW OF R250, R400 & R400D, R400P..... | 17 |
| EXPLODED VIEW OF R750, RX750SS, R1500, RX1500SS, R1520 & R1530..... | 18 |
| EXPLODED VIEW OF R08, RX08SS, R15, RX15SS..... | 19 |
| R SERIES PARTS LIST..... | 20 |
| RX SERIES PARTS LIST | 22 |
| SINGLE PHASE WIRING DIAGRAM 115V & 230V W/O GOVERNOR SWITCH..... | 24 |
| MODELS R100, R250, R400 R400D, R400P..... | 24 |
| SINGLE PHASE WIRING DIAGRAM 115V & 230V W/GOVERNOR SWITCH..... | 25 |
| MODELS R750, RX750SS, R1500, RX1500SS, R1520 & R1530..... | 25 |
| THREE PHASE WIRING DIAGRAM..... | 26 |
| MODELS R08, RX08SS, R15, RX15SS (230V) | 26 |
| THREE PHASE WIRING DIAGRAM..... | 27 |
| MODELS R08, RX08SS, R15, RX15SS(460V) | 27 |
| WARRANTY AND LIMITATION OF LIABILITY | 28 |
| START-UP REPORT FORM..... | 29 |
| NOTES:..... | 32 |



INTRODUCTION

This Installation, Operation and Maintenance manual provides important information on safety and the proper inspection, disassembly, assembly and testing of the BJM Pumps® R & RX Series submersible pump. This manual also contains information to optimize performance and longevity of your **BJM Pumps** submersible pump.

The submersible R Series pumps are designed to pump water. The RX Series pumps are designed to pump corrosive liquids in concentrations chemically compatible with 316SS and FKM. The R & RX Series pumps are not explosion-proof. They are not designed to pump volatile or flammable liquids.

Note: Consult chemical resistance chart for compatibility between pump materials and liquid before operating pump.

If you have any questions regarding the inspection, disassembly, assembly or testing please contact your **BJM Pumps** distributor, or BJM Pumps, LLC.

BJM Pumps, LLC
123 Spencer Plain Rd.
Old Saybrook, CT 06475, USA

Fax: 860-399-7784
Phone: 877-256-7867
Phone: 860-399-5937

For assistance with your electric power source, please contact a certified electrician.

Please pay attention to the following alert notifications. They are used to notify operators and maintenance personnel to pay special attention to procedures, to avoid causing damage to the equipment, and to avoid situations that could be dangerous to personnel.

NOTE: Instructions to aid in installation, operation, and maintenance or which clarify a procedure.

⚠ DANGER

Immediate hazards that WILL result in severe personal injury or death. These instructions describe the procedure required and the injury which will result from failure to follow the procedure.

⚠ WARNING

Hazards or unsafe practices that COULD result in severe personal injury or death. These instructions describe the procedure required, and the injury which could result from failure to follow the procedure.

⚠ CAUTION

Hazards or unsafe practices which COULD result in personal injury or product or property damage. These instructions describe the procedure required and the possible damage which could result from failure to follow the procedure.



SAFETY

Pump installations are seldom identical. Each installation and application can vary due to many different factors. It is the owner/service mechanics responsibility to repair, service, and test to ensure that the pump integrity is not compromised according to this manual.

⚠ WARNING

Risk of electric shock – this pump has not been investigated for use in swimming pool areas.

⚠ DANGER

Do not pump flammable, inflammable or volatile liquids. Death or serious injury will result.

⚠ WARNING

Before attempting to open or service the pump:

- 1) Familiarize yourself with this manual.
- 2) Unplug or disconnect the pump power cable to ensure that the pump will remain inoperative.
- 3) Allow the pump to cool if overheated.

⚠ WARNING

Do not operate the pump with a worn or damaged electric power cable. Death or serious injury could occur.

⚠ WARNING

Never attempt to alter the length or repair any power cable with a splice. The pump motor and pump motor and cable must be completely waterproof. Damage to the pump or personal injury may result from alterations.

⚠ WARNING

After the pump has been installed, make sure that the pump and all piping are secure before operation.

⚠ WARNING

Do not lift the pump by the power cable piping or discharge hose. Attach proper lifting equipment to the lifting handle (or lifting rings) fitted to the pump. Do not suspend the pump by the power cable.

⚠ WARNING

Obtain the services of a qualified electrician to troubleshoot, test and/or service the electrical components of this pump.

⚠ CAUTION

Pumps and related equipment must be installed and operated according to all national, local and industry standards.



INSPECTION

Review all safety information before servicing pump.

The following are recommended installation practices/procedures for the pump. If there are questions in regards to your specific application, contact your local **BJM Pumps** distributor or BJM Pumps, LLC.

PRE-INSTALLATION INSPECTION

- 1) Check the pump for damage that may have occurred during shipment.
- 2) Inspect the pump for any cracks, dents, damaged threads, etc.
- 3) Check power cord for any cuts or damage.
- 4) Check for, and tighten any hardware that appears loose.
- 5) Carefully read all tags, decals and markings on the pump.

If anything appears to be abnormal, contact your **BJM Pumps** distributor or BJM Pumps, LLC. If damaged, the pump may need to be repaired before use. Do not install or use the pump until appropriate action has been taken.

Lubrication:

No additional lubrication is necessary. The shaft seal and bearings are fully lubricated from the factory. Seal oil should be checked once per year. See table below.

OIL FILL QUANTITY/TYPE

| Pump Models | Qty. oil in seal chamber | | Type of oil |
|---------------------------|--------------------------|-------------|---------------------------|
| | (U.S. fl. oz.) | Metric C.C. | |
| R100 | 9.5 | 280 | ISO 32 NSF Food Grade Oil |
| R250, R400, R400D, R400P | 1.35 | 40 | ISO 32 NSF Food Grade Oil |
| R750, R1500, R1530, R1520 | 3.7 | 110 | ISO 32 NSF Food Grade Oil |
| RX750SS, RX1500SS | 4.4 | 130 | ISO 32 NSF Food Grade Oil |
| R400L, R400L-3 | 4.4 | 130 | ISO 32 NSF Food Grade Oil |
| R08, R15 | 3.7 | 110 | ISO 32 NSF Food Grade Oil |
| RX08SS, RX15SS | 4.4 | 130 | ISO 32 NSF Food Grade Oil |



PUMP INSTALLATION

R & RX Series pumps have been evaluated for use with water or water based solutions. Please contact the manufacturer for additional information.

⚠ WARNING **Risk of electric shock.** Pump models; R100, R250, R400, R400D, R400P, R750 & RX750 (115v) are supplied with a grounding conductor and grounding-type attachment plug. Pump models; R1500, R15, R08, RX08SS & RX15SS do not come with electric plug connectors. To reduce the risk of electric shock, be certain that it is connected only to a properly grounded, grounding-type receptacle.

Lifting:

Attach a rope or lifting chain (not included) to the handle (or lifting rings) on the top of the pump.

⚠ CAUTION Do not lift the pump by the power cable or discharge hose/piping. Proper lifting equipment (rope/chain) must be used.

POSITIONING THE PUMP

BJM Pumps, R & RX Series pumps are designed to operate fully or partially submerged. Avoid running the pump dry for extended periods of time. Refer to data sheet for minimum submersion depth for your particular model. Data sheets can be obtained by calling BJM Pumps, LLC at 860-399-5937. As a general rule, R and RX Series top discharge pumps can pump down to a level above the suction screen. Pumping lower than screen will permit air to enter the pump and cavitate, lose prime or become air bound.

⚠ CAUTION

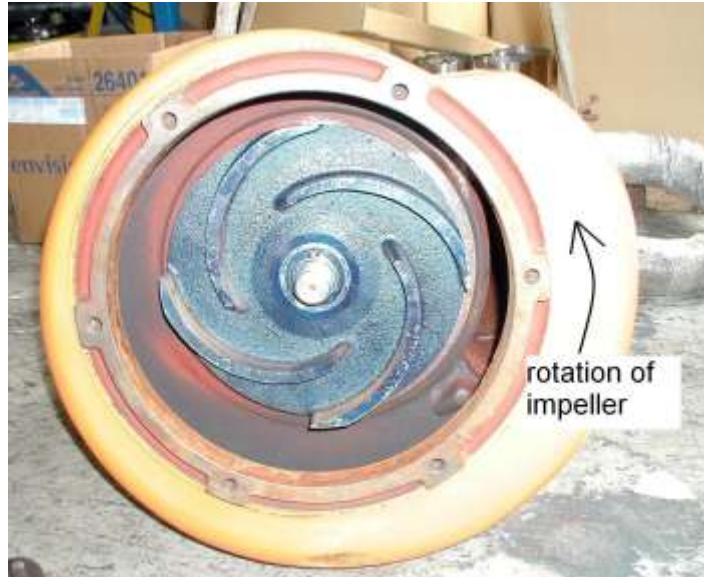
- Do not run pump dry.
- Pump liquid should not exceed a maximum temperature of 104°F.
- Never place the pump on loose or soft ground. The pump may sink, preventing water from reaching the impeller. Place on a solid surface or suspend the pump with a lifting rope/chain. The R & RX Series pumps are provided with a suction strainer to prevent large solids from clogging the impeller. Any spherical solids which pass through the strainer should pass through the pump.
- For maximum pumping capacity, use the proper size non-collapsible hose or rigid piping. A check valve may be installed after the discharge to prevent back flow when the pump is shut off.



PUMP ROTATION

Two ways to check the correct pump rotation:

1. By looking at the impeller; the rotation of the impeller should be counter clockwise as shown in the picture below.



2. By looking from the top of the pump. Since the impeller cannot be seen, the best way to check the rotation is to check the kick back motion of the pump when the pump just starts. The kick back motion of the pump should be counter clockwise as shown in the picture below.





PUMP OPERATION

⚠ WARNING

This pump is designed to handle dirty water that contains some solids. It is not designed to pump volatile or flammable liquids. Do not attempt to pump any liquids which may damage the pump or endanger personnel as a result of pump failure.

⚠ DANGER

Do not operate this pump where explosive vapors or flammable material exist. Death or Serious injury will result.

TYPICAL MANUAL DEWATERING INSTALLATION

NOTE: Maximum recommended starts should not exceed 10 times per hour.

Models R100, R250, R400, and R400D are provided with a 33' (10 m) power cord and models R750, RX750SS, R1500, RX1500SS, R1520, R1530, R08, RX08SS, R15, & RX15SS, are supplied with a 50' (15m) power cord. NEVER splice the power cable due to safety and warranty considerations. Always keep the plug end dry.

Note: 230V, single phase and 208V, 230V, 460V & 575V three phase units do not have a plug and have to be provided separately.

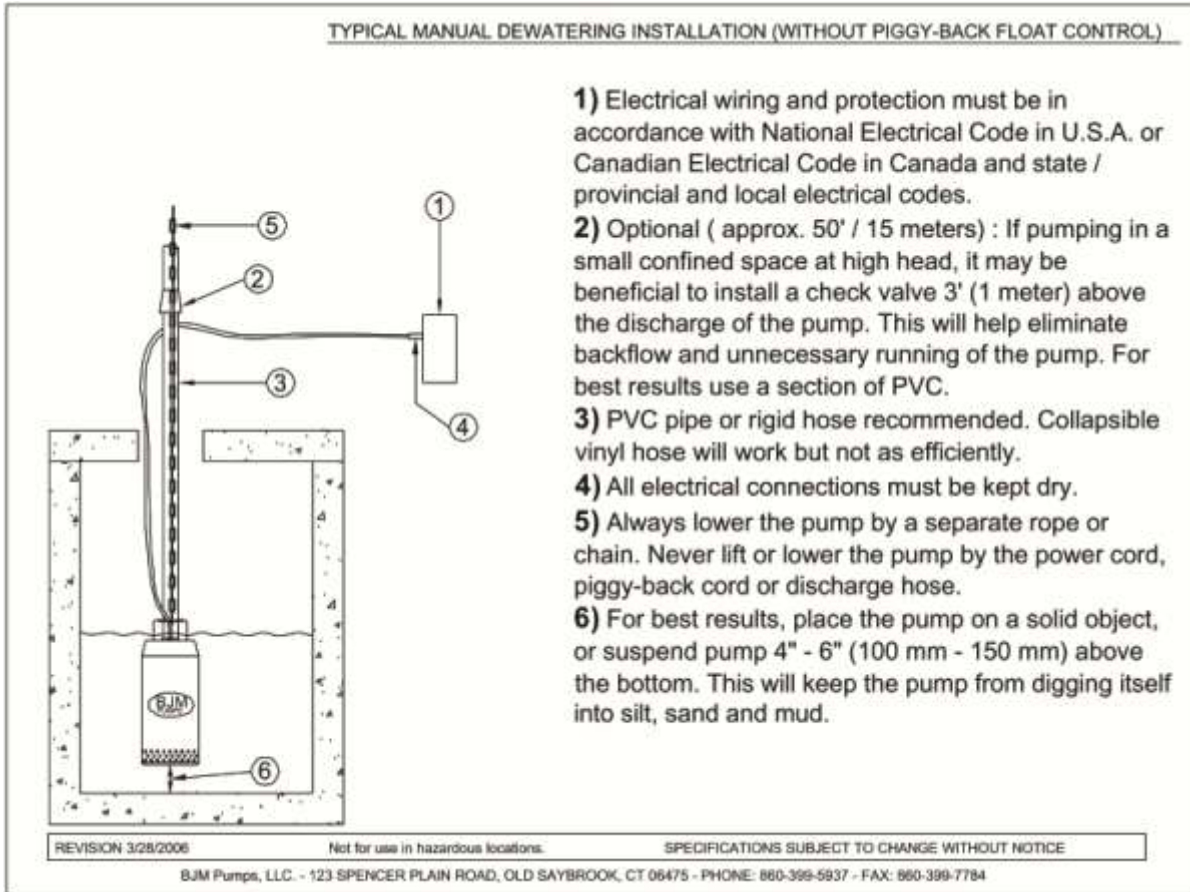
⚠ WARNING

Do not alter the length or repair any power cable with a splice. The pump motor and cable must be completely waterproof. Damage to the pump or personal injury may result from alterations.

For manual operation: 115 volt: plug the power cable into any 115 volt grounded receptacle. 230 and 460 volt: Attach the proper plug, connect directly to the power source or control box. Check the direction of the rotation. Tilt the pump and start it. It should twist in the opposite direction of the arrow (on pump). It is recommended that a Ground Fault Interrupter (GFI) type receptacle (or equivalent) be used.

⚠ WARNING

Single phase pumps always use a three-prong grounded receptacle. It is recommended that a Ground Fault Interrupter (GFI) type receptacle (or equivalent) be used.



STOPPING

To stop the pump (manual and automatic mode), unplug it from the power source, turn off the breaker, or turn the power source off (generator).



Typical 3 phase manual control 1

TYPICAL AUTOMATIC DEWATERING INSTALLATION

NOTE: Maximum recommended starts should not exceed 10 times per hour.

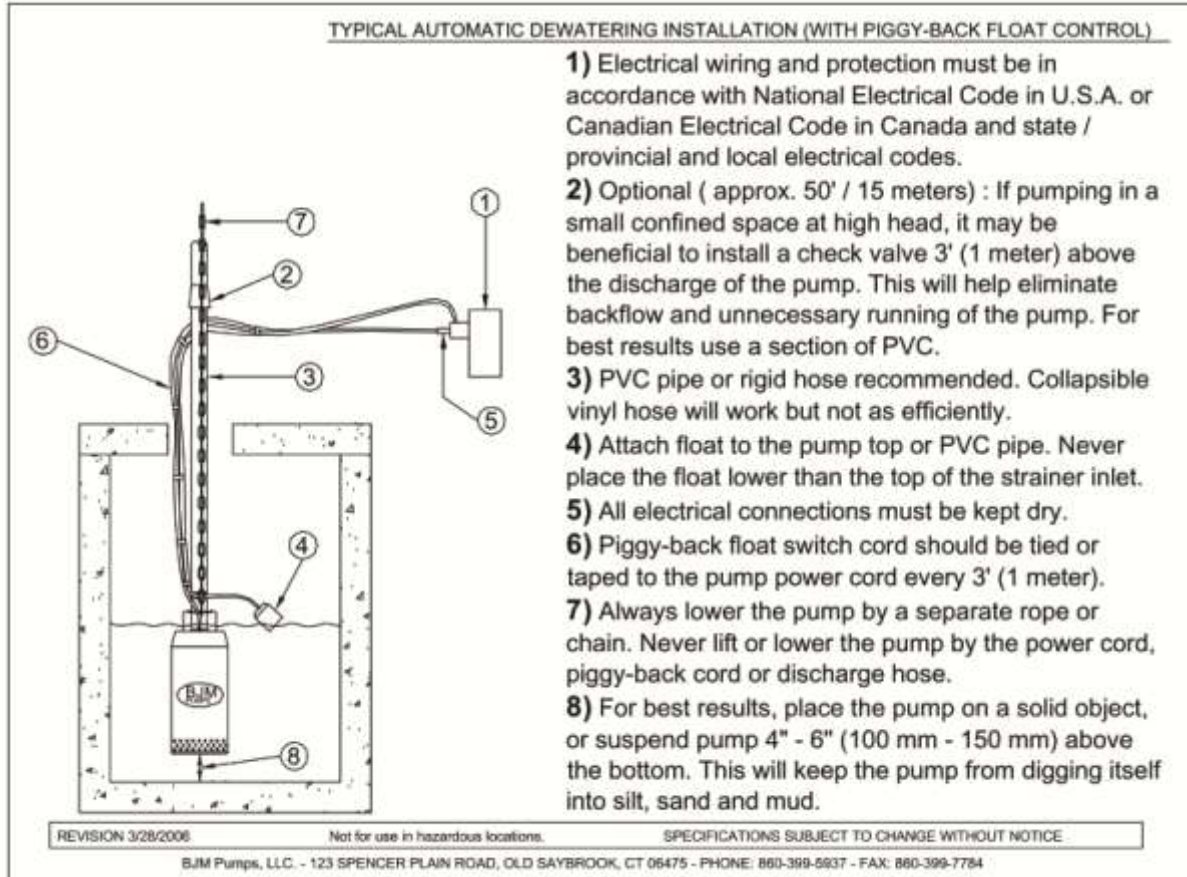
AUTOMATIC OPERATION

Float switches (wired into the pump motor or piggy-back style) are available from the factory as an option.



Note: 230V & 460V pumps do not have a plug installed.

Three phase pumps need a separate control box with float(s) for automatic operation.



STOPPING

To stop the pump (manual and automatic mode), unplug it from the power source, turn off the breaker, or turn the power source off (generator).

INTENDED METHODS OF CONNECTION



Use with approved motor control that matches motor input in full load amperes. "UTILISER UN DÉMARREUR APPROUVÉ CONVARIANT AU COURANT À PLEINE CHARGE DU MOTEUR."

BJM Pumps has been evaluated for use with water or water based solutions. Please contact the manufacturer for additional information.

SINGLE PHASE WIRING INSTRUCTIONS



⚠ WARNING

FOR YOUR PROTECTION, ALWAYS DISCONNECT PUMP FROM ITS POWER SOURCE BEFORE HANDLING. Single phase pumps are supplied with a three prong grounded plug to help protect you against the possibility of electrical shock. **DO NOT UNDER ANY CIRCUMSTANCES REMOVE THE GROUND PIN.** The three prong plug **must** be inserted into a mating three prong grounded receptacle. **IF** the installation does not have such a receptacle it must be changed to the proper type, wired and grounded in accordance with the National Electrical Code and all applicable local codes and ordinances.

⚠ WARNING

“Risk of electrical shock” Do not remove power supply cord and strain relief or connect conduit directly to the pump.

⚠ WARNING

Installation and checking of electrical circuits and hardware should be performed by a qualified licensed electrician.

THREE PHASE WIRING INSTRUCTIONS

⚠ WARNING

FOR YOUR PROTECTION, ALWAYS DISCONNECT PUMP FROM ITS POWER SOURCE BEFORE HANDLING.

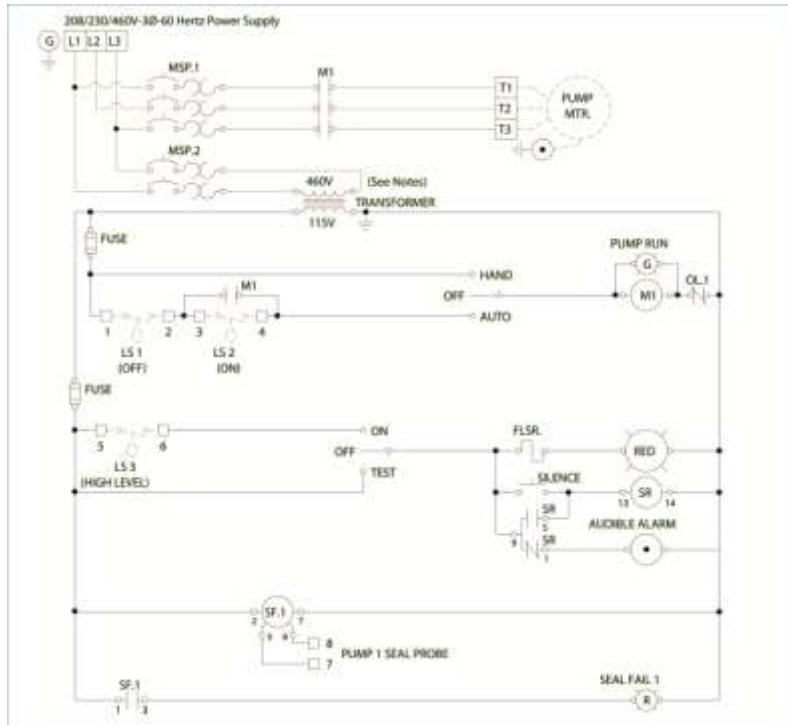
⚠ WARNING

“Risk of electrical shock” Do not remove power supply cord and strain relief or connect conduit directly to the pump.

⚠ WARNING

Installation and checking of electrical circuits and hardware should be performed by a qualified licensed electrician.

To automatically operate a non-automatic three phase pump, a control panel is required. Follow the instructions provided with the panel to wire the system. For automatic three phase pumps see automatic three phase wiring diagram.



Typical 3 phase Auto Control 1

Before installing a pump, check the pump rotation to insure that wiring has been connected properly to power source, and that the green lead of power cord (See wiring diagram), is connected to a valid ground, momentarily energize the pump, observing the directions of kick back due to starting torque. Rotation is correct if kick back is in the opposite direction of rotation arrow on the pump casing. If rotation is not correct, switching of any two power leads other than ground will provide the proper rotation.

Three phase pumps have integral motor overload protection. It is recommended that all three phase pumps using a motor starting device also incorporate motor overload protection. Pumps **must** be installed in accordance with the National Electrical Code and all applicable local codes and ordinances. Pumps are not to be installed in locations classified as hazardous in accordance with National Electrical Code, ANSI/NFPA 70.

Connect pump to a junction box, outlet box, control box, enclosure with a wiring compartment that meets NEC and local codes. The provision for supply connection shall reduce the risk of water entry during temporary, limited submersion and shall comply with the applicable requirements of the Standard for Enclosures for Electrical Equipment, UL 50, or the standard for Metallic Outlet Boxes, UL 514A, and the standard for Motor-Operated Water Pumps. UL 778.

TROUBLE SHOOTING



Disconnect the power source to the pump BEFORE attempting any type of trouble shooting, service or repair.



PUMP WILL NOT RUN

1. Check power supply (fuses, breaker). Reset power.
2. Blocked impeller. Remove strainer, check and clean.
3. Defective cable or incorrect wiring.
4. Strainer clogged. Check and clean as necessary.
5. Float switch tangled/obstructed. Clean and free float switch from obstruction.
6. Float switch defective. Replace float switch.
7. Pump overheated or temperature of liquid exceeds pump operating temperature.

Warning: Pump will restart automatically when motor over-heat protection switch cools.

PUMP RUNS BUT DOES NOT DELIVER RATED CAPACITY

1. Discharge line clogged, restricted or hose kinked. Check discharge hose/pipe.
2. Worn impeller and/or suction cover. Inspect and replace as necessary.
3. Pump overloaded due to liquid pumped being too thick.
4. Pumping air. Check liquid level and position of pump.
5. Excessive voltage drops due to long cables.
6. Three phase only; pump running backwards, check rotation.

R400D ONLY NOTE: THIS UNIT MAY NEED TO BE PRIMED.

To prime, submerge in a bucket filled with water. Water needs to be above the impeller inside the pump for a proper start. This is approximately 6" from the bottom of the pump. Pump can also be primed by pouring water into the discharge. You will need at least 2 quarts to prime.

SERVICING YOUR SUBMERSIBLE PUMP

Pump should be disconnected from the electric power supply before proceeding to do any service or maintenance.

To service or repair your pump, please contact your local **BJM Pumps** distributor. Service should only be performed by a qualified electrician.

MAINTAINING YOUR PUMP

- Pump should be disconnected from the electric power supply before proceeding to do any service or maintenance.
- Pump should be inspected at regular intervals.



- More frequent inspections are required if the pump is used in a harsh environment.
 - Preventative maintenance should be performed to reduce the chance of premature failure.
 - Worn impellers and lip seals should be replaced.
 - Cut or cracked power cords must be replaced. **(Never operate a pump with a cut, cracked or damaged power cord.)**
 - Seal oil should be checked once per year.
 - Maintenance should always be done when taking a pump out of service before storage.
- 1) Clean pump of dirt and other build up.
 - 2) Check condition of oil around the shaft seals.
 - 3) Check hydraulic parts: check for wear.
 - 4) Inspect power cable. Make sure that it is free of nicks or cuts.

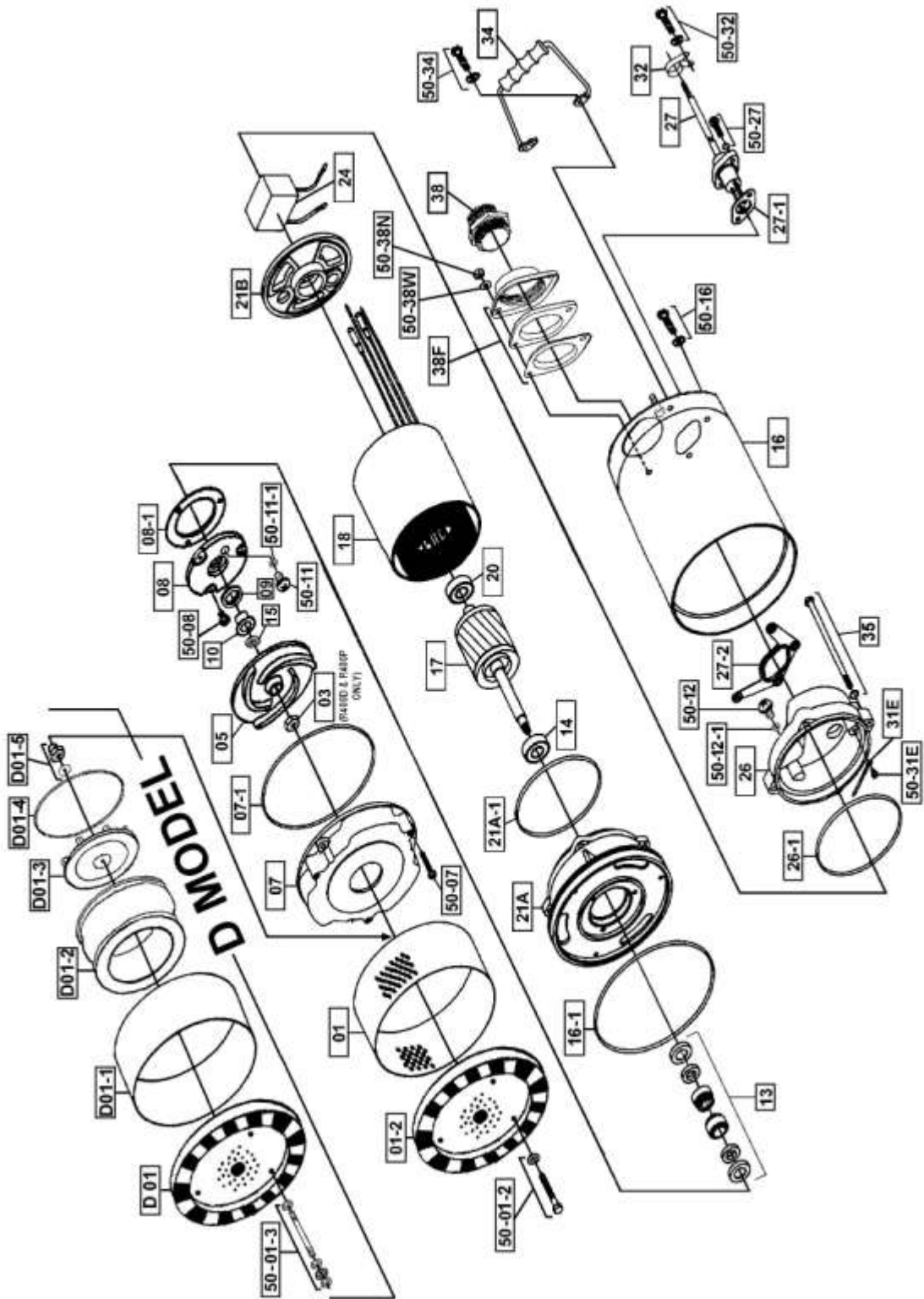
CHANGING SEAL OIL

Changing the seal oil in the R series pumps is very easy.

- 1) Make sure that the pump cable is disconnected from the power source.
- 2) Lay the pump down on its side.
- 3) Remove the screws that hold the bottom plate in place.
- 4) Remove bottom plate.
- 5) Remove screws holding the suction cover.
- 6) Remove the suction cover.
- 7) Remove the impeller.
- 8) Remove the inspection screw for the oil chamber (pos#50-08). Pour out a small sample of the oil. If it is milky white, or contains water, then the oil and possible, the mechanical seal, should be changed. If an oil change is needed:
- 9) Remove the screws that hold the oil chamber cover in place & remove the oil.
- 10) Replace the mechanical seal if necessary.
- 11) Replace the oil.
- 12) Assemble the pump.

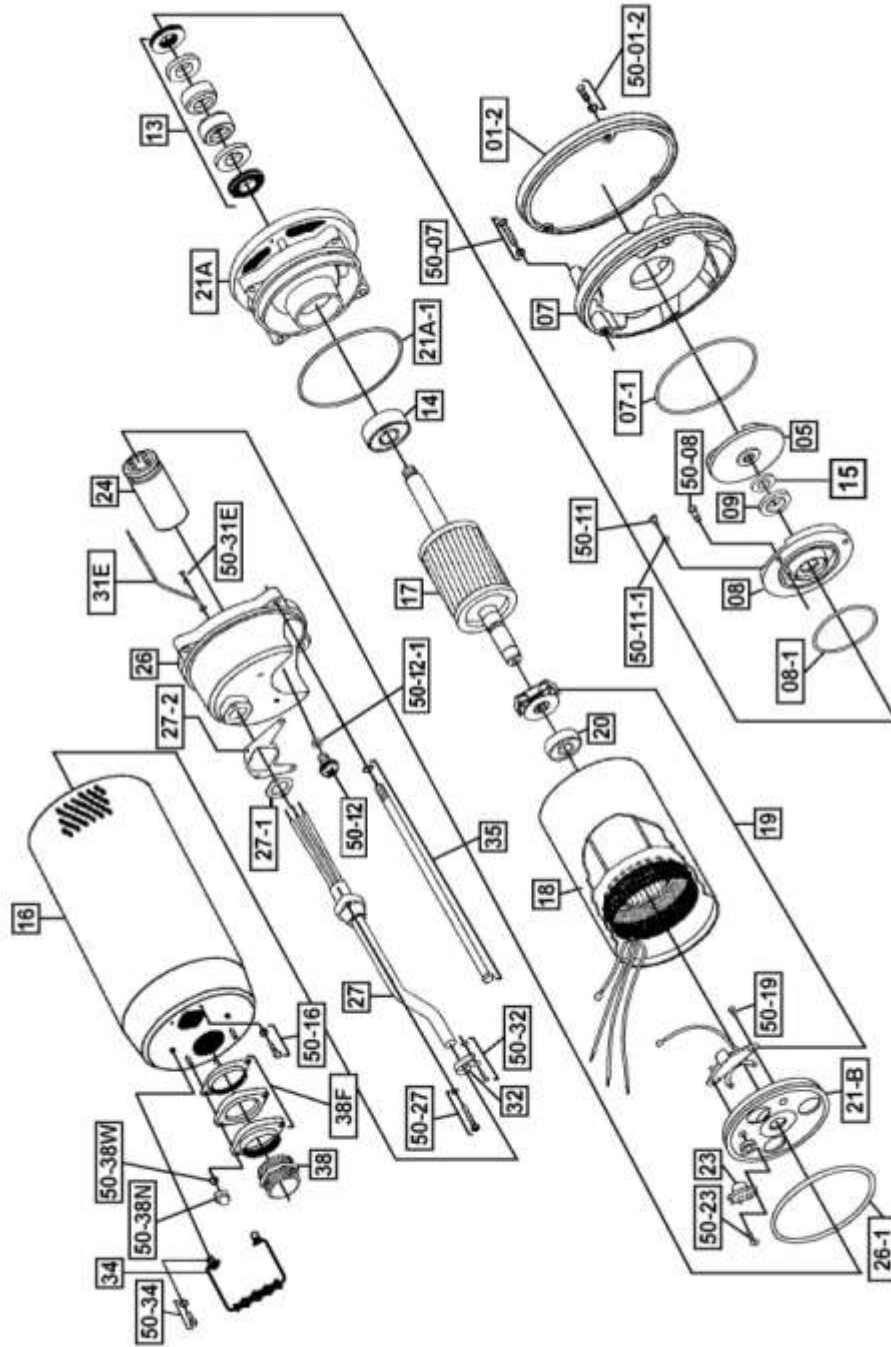


EXPLODED VIEW OF R250, R400 & R400D, R400P



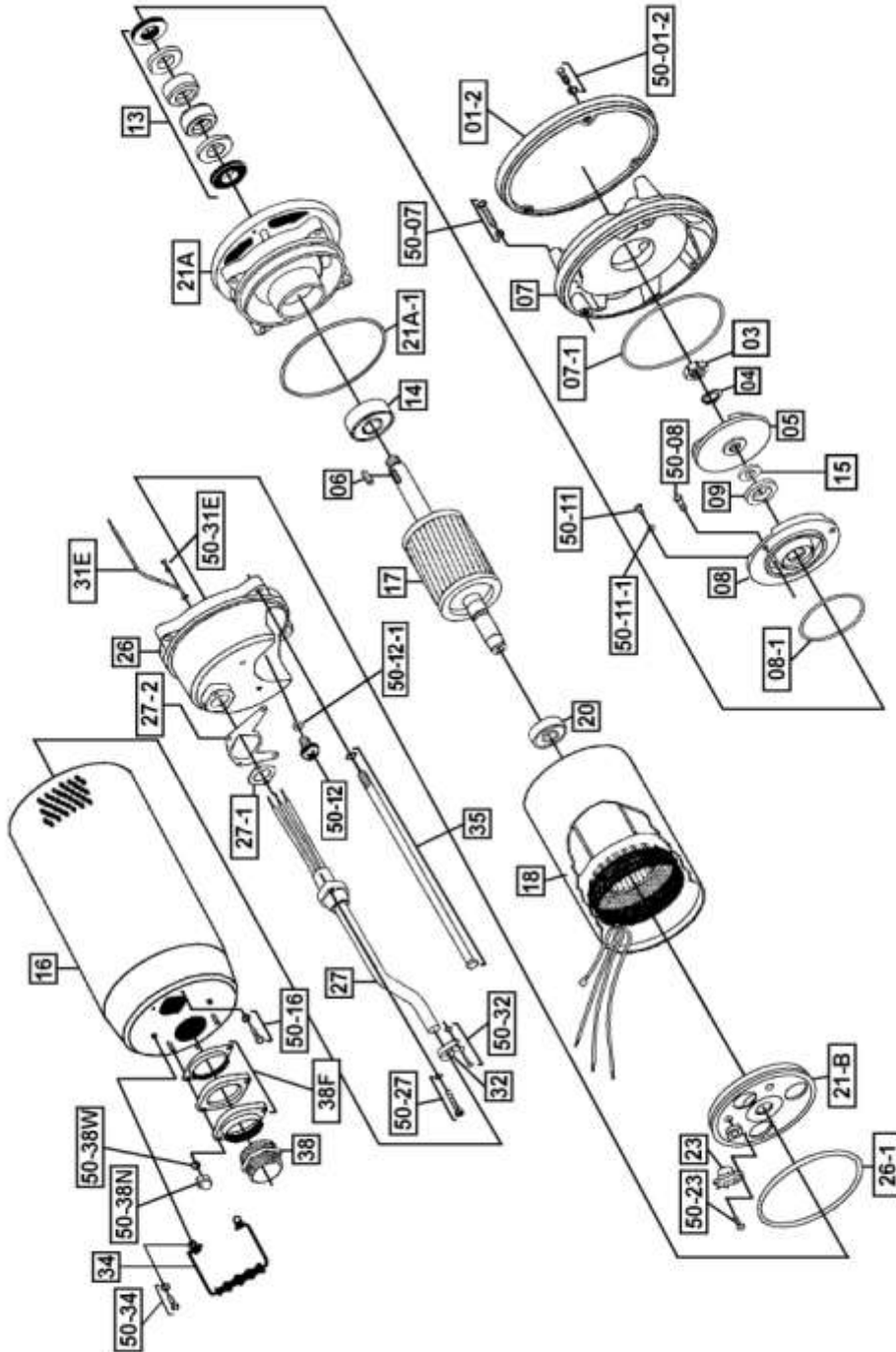


EXPLODED VIEW OF R750, RX750SS, R1500, RX1500SS, R1520 & R1530





EXPLODED VIEW OF R08, RX08SS, R15, RX15SS



R SERIES PARTS LIST

| Pos. No. | Part Description | Pump Model | | | | | | | | | | |
|-------------|-------------------------------------|------------|--------|--------|--------|--------|--------|--------|--------|--------|--------|--------|
| | | R100 | R250 | R400 | R400D | R400P | R750 | R1500 | R1520 | R1530 | R08 | R15 |
| | | Item # | Item # | Item # | Item # | Item # | Item # | Item # | Item # | Item # | Item # | Item # |
| 01 | Strainer | 201980 | 201966 | 201966 | - | 201966 | - | - | - | - | - | - |
| D01 | Bottom Plate w/ Rubber | - | - | - | 202002 | - | - | - | - | - | - | - |
| D01-1 | Strainer - solid, R400D only | - | - | - | 201968 | - | - | - | - | - | - | - |
| 01-2 | Bottom Plate | - | 202003 | 202003 | - | 202003 | 202004 | 202004 | 202004 | 202004 | 202004 | 202004 |
| D01-2,3,4,5 | Non-Return Valve Assembly | - | - | - | 202017 | - | - | - | - | - | - | - |
| 03 | Impeller Nut | 202890 | - | - | 202890 | 202890 | - | - | - | - | 202894 | 202894 |
| 04 | Lock Washer | - | - | - | - | - | - | - | - | - | 202907 | 202907 |
| 05 | Impeller Cast Iron | - | 202057 | 202055 | - | - | 202930 | 202086 | 202062 | 202086 | 202088 | 202091 |
| 05 | Impeller: Fiberglass Reinf. Plastic | 202920 | - | - | 202054 | 202054 | - | - | - | - | - | - |
| 06 | Impeller Key | - | - | - | - | - | - | - | - | - | 202140 | 202140 |
| 07 | Pump Housing/Suction Cover | 202155 | 202195 | 202195 | 202195 | 202195 | 202157 | 202157 | 202157 | 202157 | 202157 | 202157 |
| 07-1 | O-Ring (Kit Only) | Kit | Kit | Kit | Kit | Kit | Kit | Kit | Kit | Kit | Kit | Kit |
| 08 | Oil Chamber Cover | 201009 | 202207 | 202207 | 202207 | 202207 | 202211 | 202211 | 202211 | 202211 | 202211 | 202211 |
| 08-1 | O-Ring (Kit Only) | Kit | Kit | Kit | Kit | Kit | Kit | Kit | Kit | Kit | Kit | Kit |
| 09 | Lip Seal Buna-N | 202229 | 202229 | 202229 | 202229 | 202229 | 202231 | 202231 | 202231 | 202231 | 202231 | 202231 |
| 09 | Lip Seal FKM (Optional) | 202230 | 202230 | 202230 | 202230 | 202230 | 202233 | 202233 | 202233 | 202233 | 202233 | 202233 |
| 09 | Lip Seal EPDM (Optional) | 203050 | 203050 | 203050 | 203050 | 203050 | 203053 | 203053 | 203053 | 203053 | 203053 | 203053 |
| 10 | Shaft Sleeve | 202258 | 202258 | 202258 | 202258 | 202258 | - | - | - | - | - | - |
| 13 | Mechanical Seal Buna-N | 202269 | 202259 | 202259 | 202259 | 202259 | 200501 | 200501 | 200501 | 200501 | 200501 | 200501 |
| 13 | Mechanical Seal FKM** | - | 202260 | 202260 | 202260 | 202260 | 200500 | 200500 | 200500 | 200500 | 200500 | 200500 |
| 14 | Lower Ball Bearing | 200957 | 200493 | 200493 | 200493 | 200493 | 200958 | 200958 | 200958 | 200958 | 200958 | 200958 |
| 15 | Impeller Shim Kit | - | - | - | - | - | 200481 | 200481 | 200481 | 200481 | 200480 | 200480 |
| 16 | Pump Casing Outer | 202286 | 202287 | 202287 | 202287 | 202287 | 202290 | 202293 | 202293 | 202293 | 202290 | 202290 |
| 16-1 | O-Ring (Kit Only) | Kit | Kit | Kit | - | Kit | - | - | - | - | - | - |
| 17 | Rotor w/ Shaft 115, 1PH | N/A | 202305 | 202300 | 202300 | 202300 | 203086 | - | - | - | - | - |
| 17 | Rotor w/ Shaft 230, 1PH | - | - | 202300 | 202300 | 202300 | 203086 | 203091 | 203091 | 203091 | - | - |
| 17 | Rotor w/ Shaft, 3PH | - | - | - | - | - | - | - | - | - | 203102 | 202341 |
| 18 | Stator Coil w/ Casing 115, 1PH | N/A | 1810 | 200508 | 200508 | 200508 | 200511 | - | - | - | - | - |
| 18 | Stator Coil w/ Casing 230, 1PH | - | - | 200523 | 200523 | 200523 | 200570 | 200514 | 200514 | 200514 | - | - |
| 18 | Stator w/ Casing 208, 3PH | - | - | - | - | - | - | - | - | - | 200659 | 200662 |
| 18 | Stator w/ Casing 230/460V, 3PH | - | - | - | - | - | - | - | - | - | 200626 | 200633 |
| 18 | Stator w/ Casing 575V, 3PH | - | - | - | - | - | - | - | - | - | 200640 | 200643 |
| 19 | Governor Switch w/Switch Plate | - | - | - | - | - | 202360 | 202360 | 202360 | 202360 | - | - |
| 20 | Upper Ball Bearing | 200966 | 200957 | 200957 | 200957 | 200957 | 200967 | 200967 | 200967 | 200967 | 200967 | 200967 |
| 21A | Oil Chamber | 203006 | 200499 | 200499 | 200499 | 200499 | 202160 | 202160 | 202160 | 202160 | 202160 | 202160 |
| 21A-1 | O-Ring (Kit Only) | Kit | Kit | Kit | Kit | Kit | Kit | Kit | Kit | Kit | Kit | Kit |
| 21B | Motor Cover (Upper) | - | 204154 | 204154 | 204154 | 204154 | 202366 | 202366 | 202366 | 202366 | 202366 | 202366 |
| 23 | Overload 115V, 1PH | - | - | - | - | - | 202383 | - | - | - | - | - |
| 23 | Overload 230V, 1PH | - | - | - | - | - | 202395 | 202383 | 202383 | 202383 | - | - |
| 23 | Overload 208V, 3PH | - | - | - | - | - | - | - | - | - | 202385 | 202388 |

| | | | | | | | | | | | | | |
|---------|--|--------|--------|--------|--------|--------|--------|--------|--------|--------|--------|--------|--------|
| 23 | Overload 230V, 3PH | - | - | - | - | - | - | - | - | - | - | 202385 | 202388 |
| 23 | Overload 460V, 3PH | - | - | - | - | - | - | - | - | - | - | 202387 | 202386 |
| 23 | Overload 575V, 3PH | - | - | - | - | - | - | - | - | - | - | 202399 | 202387 |
| 24 | Capacitor 115 | 202411 | 202412 | 202422 | 202422 | 202818 | 202417 | - | - | - | - | - | - |
| 24 | Capacitor 230 | - | - | 202423 | 202423 | 202423 | 202418 | 202420 | 202420 | 202420 | - | - | - |
| 26 | Pump Top Cover | 202432 | 202425 | 202425 | 202425 | 202425 | 202429 | 202429 | 202429 | 202429 | 202429 | 202429 | 202429 |
| 26-1 | O-Ring (Kit Only) | Kit | Kit | Kit | Kit | Kit | Kit | Kit | Kit | Kit | Kit | Kit | Kit |
| 27 | Power Cable w/ Gland - 115V, 1 PH | 201682 | 201682 | 204257 | 204257 | 204257 | 204259 | - | - | - | - | - | - |
| 27 | Power Cable w/ Gland - 230V, 1 PH, No Plug | - | - | 201684 | 201684 | 201684 | 204260 | 204260 | 204260 | 204260 | - | - | - |
| 27 | Power Cable w/ Gland - 3 PH | - | - | - | - | - | - | - | - | - | 201697 | 201697 | - |
| 27-1 | O-Ring (Kit Only) | Kit | Kit | Kit | Kit | Kit | Kit | Kit | Kit | Kit | Kit | Kit | Kit |
| 27-2 | O-Ring (Kit Only) | - | Kit | Kit | Kit | Kit | Kit | Kit | Kit | Kit | Kit | Kit | Kit |
| 31E | Ground Wire w/Ring Term. | 203145 | 203145 | 203145 | 203145 | 203145 | 203145 | 203145 | 203145 | 203145 | 203145 | 203145 | 203145 |
| 32 | Power Cord Line Clip | - | 203161 | 203161 | 203161 | 203161 | 203161 | 203161 | 203161 | 203161 | 203161 | 203161 | 203161 |
| 34 | Handle | 203168 | 203169 | 203169 | 203169 | 203169 | 203169 | 203169 | 203169 | 203169 | 203169 | 203169 | 203169 |
| 35 | Rod Bolts | - | 202675 | 202675 | 202675 | 202675 | 202666 | 202668 | 202668 | 202668 | 202666 | 202666 | 202666 |
| 38 | Disch. 3/4" Garden Hose Adapter | 202608 | - | - | - | - | - | - | - | - | - | - | - |
| 38 | Disch. Nipple NPT Cast Iron 1-1/2" | - | 202551 | 202551 | 202551 | 202551 | - | - | - | - | - | - | - |
| 38 | Disch. Nipple NPT Cast Iron 2" | - | - | 202531 | 202531 | 202531 | 202531 | 202531 | - | - | 202531 | 202531 | 202531 |
| 38 | Disch. NPT 3", Male | - | - | - | - | - | - | - | 202547 | 202547 | - | - | - |
| 38F | Discharge Flange Kit 1-1/2" | - | 202565 | 202565 | 202565 | 202565 | 202565 | 202565 | - | - | 202565 | 202565 | 202565 |
| 38F | Discharge Flange Kit 2" | - | - | 202567 | 202567 | 202567 | 202567 | 202567 | 202567 | 202567 | 202567 | 202567 | 202567 |
| 50-01 | Screw for Strainer | 202691 | - | - | - | - | - | - | - | - | - | - | - |
| 50-01-2 | Screw for Bottom Plate | - | 202689 | 202689 | - | 202689 | 203220 | 203220 | 203220 | 203220 | 203220 | 203220 | 203220 |
| 50-01-3 | Stud with Nuts (R400D) | - | - | - | 202688 | - | - | - | - | - | - | - | - |
| 50-07 | Screw for Suction Cover | 203233 | 203239 | 203239 | 203239 | 203239 | 203250 | 203250 | 203250 | 203250 | 203250 | 203250 | 203250 |
| 50-08 | Screw for Oil Chamber Cover | 202702 | 203215 | 203215 | 203215 | 203215 | 203219 | 203219 | 203219 | 203219 | 203219 | 203219 | 203219 |
| 50-11 | Screw for Oil Fill | 203218 | 203218 | 203218 | 203218 | 203218 | 203218 | 203218 | 203218 | 203218 | 203218 | 203218 | 203218 |
| 50-11-1 | O-Ring (Kit Only) | Kit | Kit | Kit | Kit | Kit | Kit | Kit | Kit | Kit | Kit | Kit | Kit |
| 50-12 | Screw - Pressure Test | - | 203218 | 203218 | 203218 | 203218 | 203218 | 203218 | 203218 | 203218 | 203218 | 203218 | 203218 |
| 50-12-1 | O-Ring (Kit Only) | - | Kit | Kit | Kit | Kit | Kit | Kit | Kit | Kit | Kit | Kit | Kit |
| 50-16 | Screw for Outer Casing | 202699 | 203220 | 203220 | 203220 | 203220 | 203220 | 203220 | 203220 | 203220 | 203220 | 203220 | 203220 |
| 50-18 | Screw for Stator | 202702 | - | - | - | - | - | - | - | - | - | - | - |
| 50-19 | Screw for Gov. Switch Plate | - | - | - | - | - | 202693 | 202693 | 202693 | 202693 | - | - | - |
| 50-23 | Screw for Overload | - | - | - | - | - | 202700 | 202700 | 202700 | 202700 | 202700 | 202700 | 202700 |
| 50-26 | Nut and Washer for Top Cover | 202701 | - | - | - | - | - | - | - | - | - | - | - |
| 50-27 | Screw for Power Cord | 203232 | 203216 | 203216 | 203216 | 203216 | 203216 | 203216 | 203216 | 203216 | 203216 | 203216 | 203216 |
| 50-31E | Screw for Ground Wire | 202692 | 202692 | 202692 | 202692 | 202692 | 202692 | 202692 | 202692 | 202692 | 202692 | 202692 | 202692 |
| 50-32 | Screw for Line Clip | - | 203220 | 203220 | 203220 | 203220 | 203220 | 203220 | 203220 | 203220 | 203220 | 203220 | 203220 |
| 50-34 | Screw for Handle | - | 203220 | 203220 | 203220 | 203220 | 203220 | 203220 | 203220 | 203220 | 203220 | 203220 | 203220 |
| 50-38N | Acorn Nut for Flange | - | 203182 | 203182 | 203182 | 203182 | 203182 | 203182 | 203182 | 203182 | 203182 | 203182 | 203182 |
| 50-38W | Washer for Flange | - | 202902 | 202902 | 202902 | 202902 | 202902 | 202902 | 202902 | 202902 | 202902 | 202902 | 202902 |
| | O-Ring Kit - Buna N | 202622 | 202624 | 202624 | 202624 | 202624 | 202632 | 202632 | 202632 | 202632 | 202632 | 202632 | 202632 |

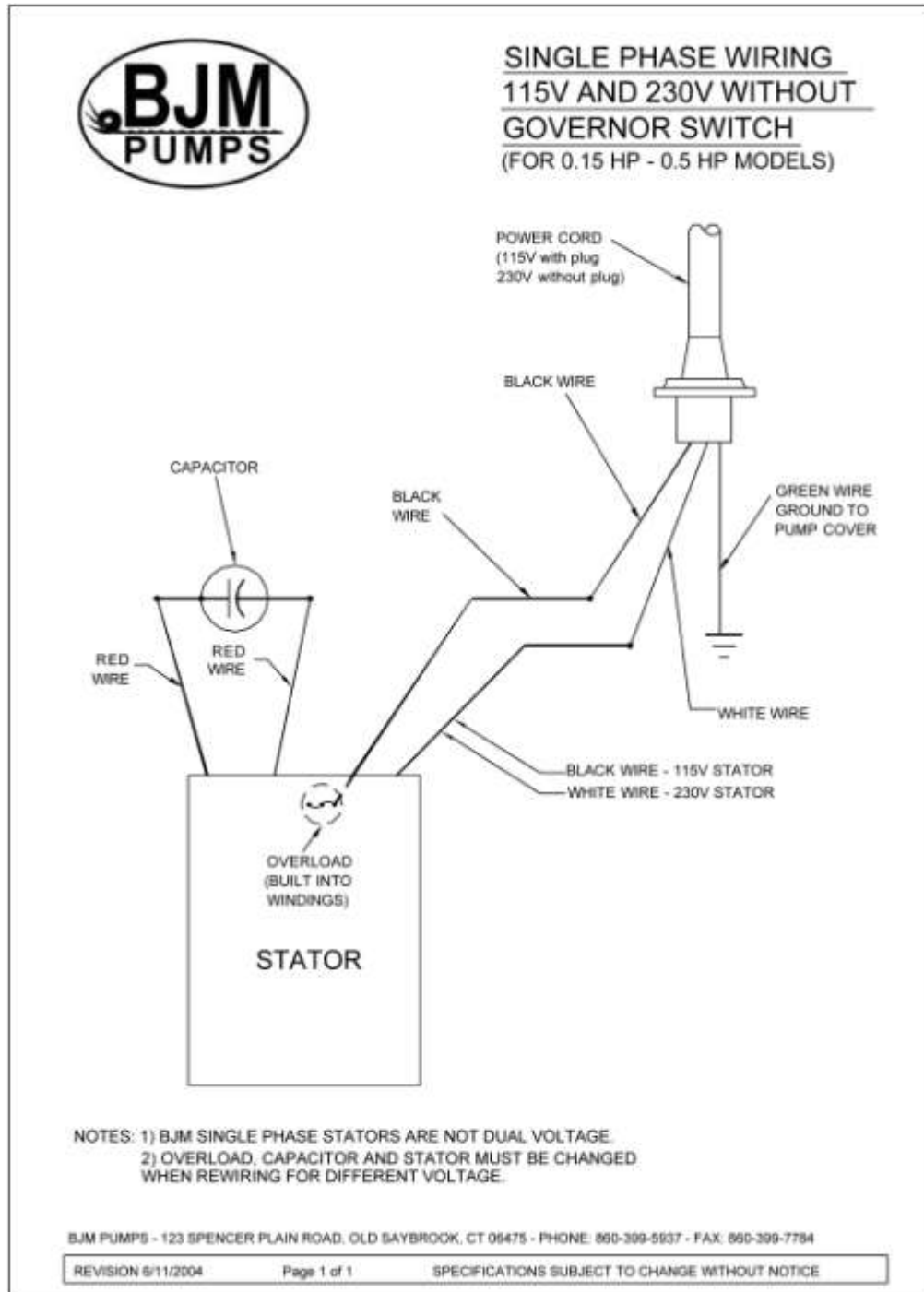
RX SERIES PARTS LIST

| Pos. No. | Part Description | Pump Model | | | |
|----------|-----------------------------------|------------|----------|--------|--------|
| | | RX750SS | RX1500SS | RX08SS | RX15SS |
| | | Item # | Item # | Item # | Item # |
| 01-2 | Bottom Plate | 202006 | 202006 | 202006 | 202006 |
| 03 | Impeller Nut | - | - | 202894 | 202894 |
| 04 | Lock Washer | - | - | 202907 | 202907 |
| 05 | Impeller | 202061 | 202087 | 202090 | 202092 |
| 06 | Impeller Key | - | - | 202140 | 202140 |
| 07 | Pump Housing/Suction Cover | 202159 | 202159 | 202159 | 202159 |
| 07-1 | O-Ring (Kit Only) | Kit | Kit | Kit | Kit |
| 08 | Oil Chamber Cover | 202215 | 202215 | 202215 | 202215 |
| 08-1 | O-Ring (Kit Only) | Kit | Kit | Kit | Kit |
| 09 | Lip Seal FKM | 202233 | 202233 | 202233 | 202233 |
| 09 | Lip Seal Buna-N (Optional) | 202231 | 202231 | 202231 | 202231 |
| 09 | Lip Seal EPDM (Optional) | 203053 | 203053 | 203053 | 203053 |
| 13 | Mechanical Seal FKM** | 204240 | 204240 | 204240 | 204240 |
| 13 | Mechanical Seal Buna-N (Optional) | 200501 | 200501 | 200501 | 200501 |
| 14 | Lower Ball Bearing | 200958 | 200958 | 200958 | 200958 |
| 15 | Impeller Shim Kit | 200481 | 200481 | 200480 | 200480 |
| 16 | Pump Casing Outer | 202292 | 202294 | 202292 | 202292 |
| 17 | Rotor w/ Shaft 115, 1PH | 203090 | - | - | - |
| 17 | Rotor w/ Shaft 230, 1PH | 203090 | 202304 | - | - |
| 17 | Rotor w/ Shaft, 3PH | - | - | 203103 | 202342 |
| 18 | Stator Coil w/ Casing 115, 1PH | 200513 | - | - | - |
| 18 | Stator Coil w/ Casing 230, 1PH | 200571 | 200516 | - | - |
| 18 | Stator w/ Casing 208V, 3PH | - | - | 200660 | 200663 |
| 18 | Stator w/ Casing 230/460V, 3PH | - | - | 200627 | 200634 |
| 18 | Stator w/ Casing 575V, 3PH | - | - | 200641 | 200644 |
| 19 | Governor Switch w/Switch Plate | 202360 | 202360 | - | - |
| 20 | Upper Ball Bearing | 200967 | 200967 | 200967 | 200967 |
| 21A | Oil Chamber | 202161 | 202161 | 202161 | 202161 |
| 21A-1 | O-Ring (Kit Only) | Kit | Kit | Kit | Kit |
| 21B | Motor Cover (Upper) | 202366 | 202366 | 202366 | 202366 |
| 23 | Overload 115V, 1PH | 202383 | - | - | - |
| 23 | Overload 230V, 1PH | 202395 | 202383 | - | - |
| 23 | Overload 208V, 3PH | - | - | 202385 | 202388 |
| 23 | Overload 230V, 3PH | - | - | 202385 | 202388 |

| | | | | | |
|---------|--|--------|--------|--------|--------|
| 23 | Overload 460V, 3PH | - | - | 202387 | 202386 |
| 23 | Overload 575V, 3PH | - | - | 202399 | 202387 |
| 24 | Capacitor 115 | 202417 | - | - | - |
| 24 | Capacitor 230 | 202418 | 202420 | - | - |
| 26 | Pump Top Cover | 202430 | 202430 | 202430 | 202430 |
| 26-1 | O-Ring (Kit Only) | Kit | Kit | Kit | Kit |
| 27 | Power Cable w/ Gland-115V, 1PH | 201692 | - | - | - |
| 27 | Power Cable w/ Gland- 230V, 1PH, No Plug | 201691 | 201691 | - | - |
| 27 | Power Cable w/ Gland- 3PH | - | - | 201698 | 201698 |
| 27-1 | O-Ring (Kit Only) | Kit | Kit | Kit | Kit |
| 27-2 | O-Ring (Kit Only) | Kit | Kit | Kit | Kit |
| 31E | Ground Wire w/Ring Term. | 203145 | 203145 | 203145 | 203145 |
| 32 | Power Cord Line Clip | 203161 | 203161 | 203161 | 203161 |
| 34 | Handle | 203169 | 203169 | 203169 | 203169 |
| 35 | Rod Bolts | 202666 | 202668 | 202666 | 202666 |
| 38 | Disch. Nipple NPT 2" | 202532 | 202532 | 202532 | 202532 |
| 38F | Discharge Flange Kit 1-1/2" | 202566 | 202566 | 202566 | 202566 |
| 38F | Discharge Flange Kit 2" | 202568 | 202568 | 202568 | 202568 |
| 50-01-2 | Screw for Bottom Plate | 203220 | 203220 | 203220 | 203220 |
| 50-07 | Screw for Suction Cover | 203250 | 203250 | 203250 | 203250 |
| 50-08 | Screw for Oil Chamber Cover | 203219 | 203219 | 203219 | 203219 |
| 50-11 | Screw for Oil Fill | 203218 | 203218 | 203218 | 203218 |
| 50-11-1 | O-Ring (Kit Only) | Kit | Kit | Kit | Kit |
| 50-12 | Screw - Pressure Test | 203218 | 203218 | 203218 | 203218 |
| 50-12-1 | O-Ring (Kit Only) | Kit | Kit | Kit | Kit |
| 50-16 | Screw for Outer Casing | 203220 | 203220 | 203220 | 203220 |
| 50-18 | Screw for Stator | - | - | - | - |
| 50-19 | Screw for Gov. Switch Plate | 202693 | 202693 | - | - |
| 50-23 | Screw for Overload | 202700 | 202700 | 202700 | 202700 |
| 50-27 | Screw for Power Cord | 203216 | 203216 | 203216 | 203216 |
| 50-31E | Screw for Ground Wire | 202692 | 202692 | 202692 | 202692 |
| 50-32 | Screw for Line Clip | 203220 | 203220 | 203220 | 203220 |
| 50-34 | Screw for Handle | 203220 | 203220 | 203220 | 203220 |
| 50-38N | Acorn Nut for Flange | 203182 | 203182 | 203182 | 203182 |
| 50-38W | Washer for Flange | 202902 | 202902 | 202902 | 202902 |
| | O-Ring Kit - FKM | 202633 | 202633 | 202633 | 202633 |



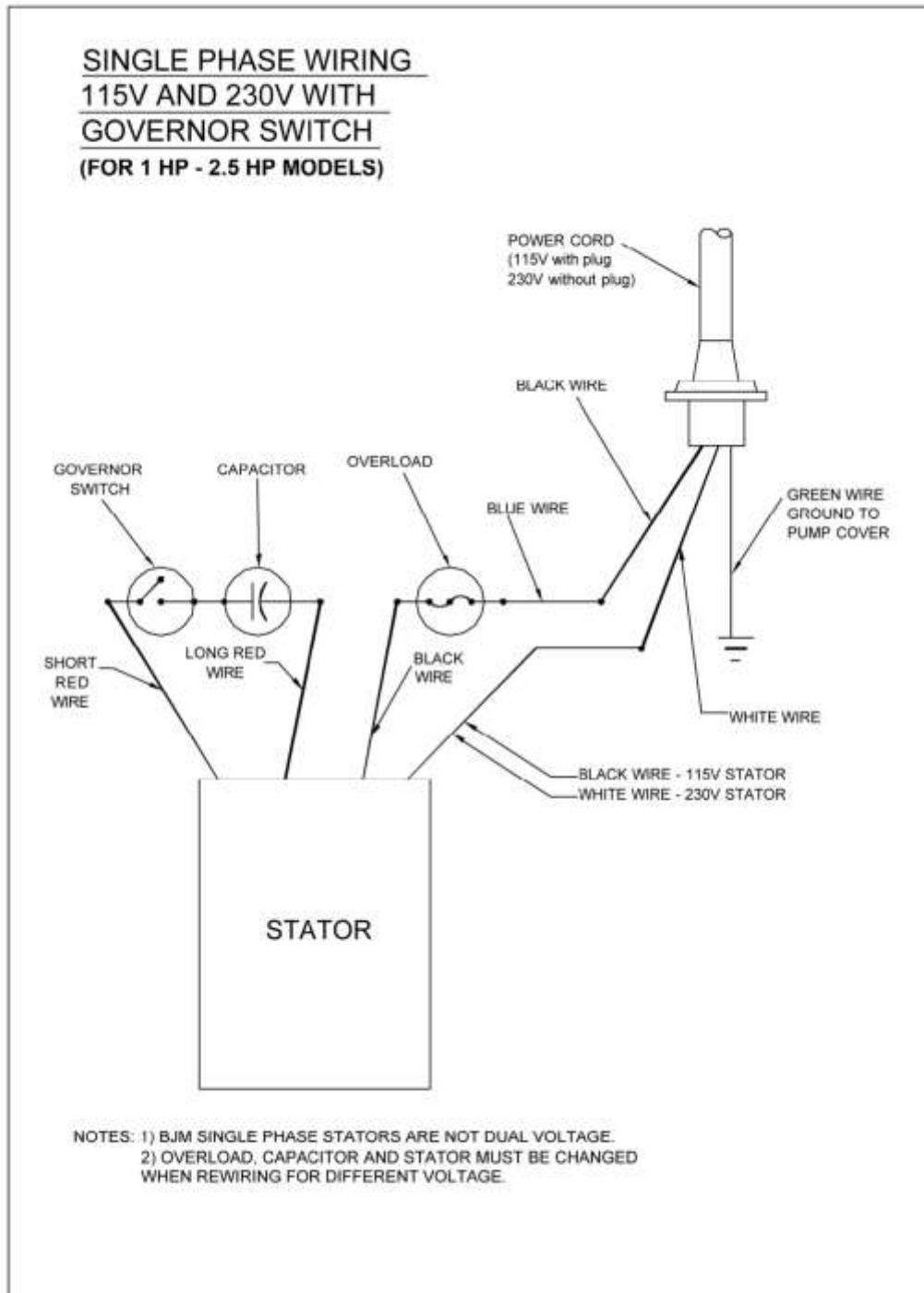
SINGLE PHASE WIRING DIAGRAM 115V & 230V W/O GOVERNOR SWITCH



MODELS R100, R250, R400 R400D, R400P

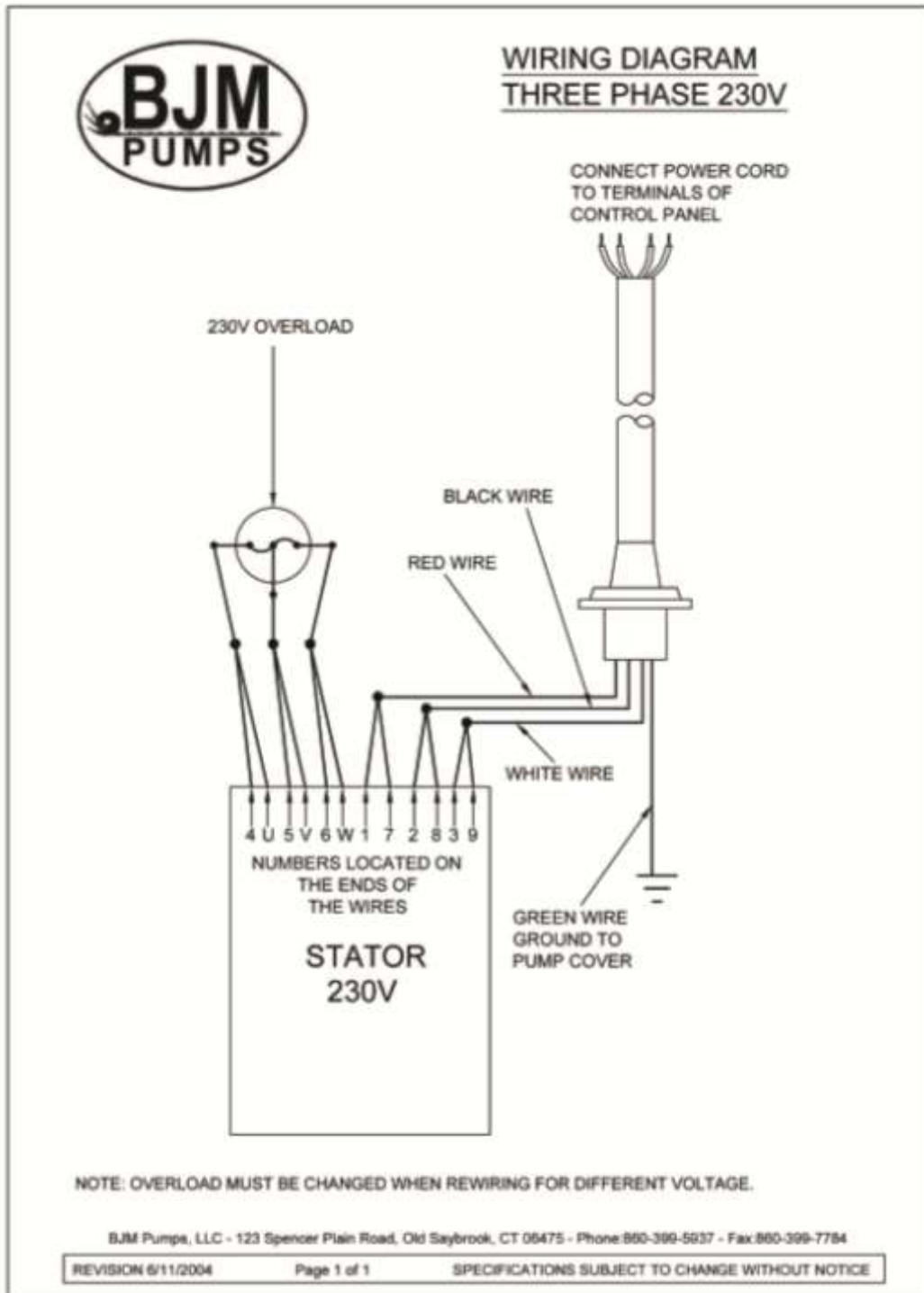


SINGLE PHASE WIRING DIAGRAM 115V & 230V W/GOVERNOR SWITCH



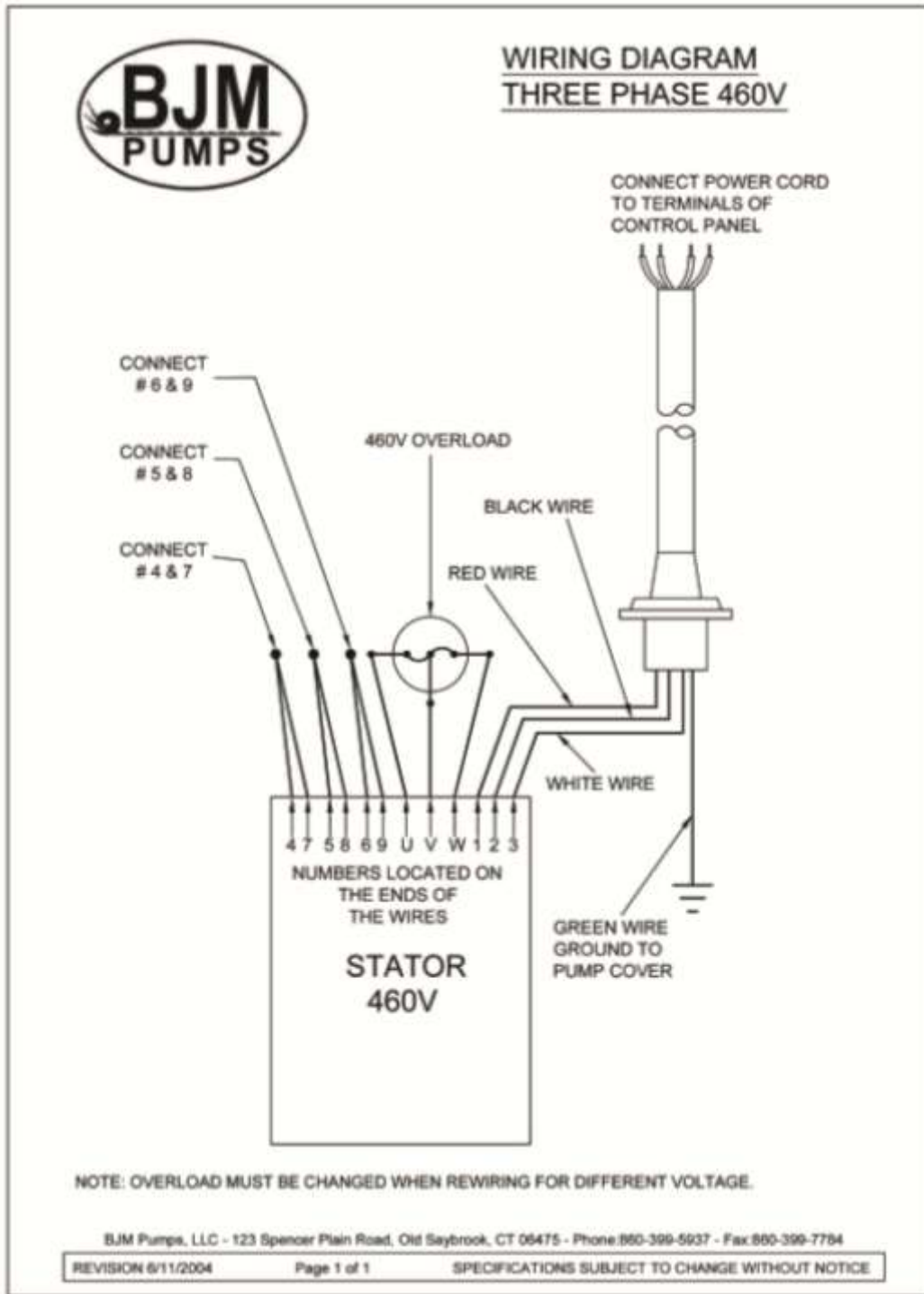
MODELS R750, RX750SS, R1500, RX1500SS, R1520 & R1530

THREE PHASE WIRING DIAGRAM



MODELS R08, RX08SS, R15, RX15SS (230V)

THREE PHASE WIRING DIAGRAM



MODELS R08, RX08SS, R15, RX15SS(460V)

BJM PUMPS, LLC
123 Spencer Plain Road
Old Saybrook, CT 06475, U.S.A.

WARRANTY AND LIMITATION OF LIABILITY

Unless otherwise expressly authorized in writing, specifying a longer or shorter period, BJM Pumps, LLC warrants for a period of eighteen (18) months from the date of shipment from the Point of Shipment, or one (1) year from the date of installation, whichever occurs first, that all products or parts thereof furnished by BJM Pumps, LLC under the brand name **BJM Pumps**, hereinafter referred to as the "Product" are free from defects in materials and workmanship and conform to the applicable specification.

BJM Pumps, LLC's liability for any breach of this warranty shall be limited solely to replacement or repair, at the sole option of BJM Pumps, LLC, of any part or parts of the Product found to be defective during the warranty period, provided the Product is properly installed and is being used as originally intended. Any breach of this warranty must be reported to BJM Pumps, LLC or BJM Pumps, LLC's authorized service representative within the aforementioned warranty period, and defective Product or parts thereof must be shipped to BJM Pumps, LLC or BJM Pumps, LLC's authorized representative, transportation charges prepaid. Any cost associated with removal or installation of a defective Product or part is excluded.

IT IS EXPRESSLY AGREED THAT THIS SHALL BE THE SOLE AND EXCLUSIVE REMEDY OF BJM PUMPS, LLC'S DISTRIBUTORS AND CUSTOMERS. UNDER NO CIRCUMSTANCES SHALL BJM PUMPS, LLC BE LIABLE FOR ANY COSTS, LOSS, EXPENSE, DAMAGES, SPECIAL DAMAGES, INCIDENTAL DAMAGES OR CONSEQUENTIAL DAMAGES ARISING DIRECTLY OR INDIRECTLY FROM THE DESIGN, MANUFACTURE, SALE, USE OR REPAIR OF THE PRODUCT, WHETHER BASED ON WARRANTY, CONTRACT, NEGLIGENCE, OR STRICT LIABILITY. IN NO EVENT WILL LIABILITY EXCEED THE PURCHASE PRICE OF THE PRODUCT.

THE WARRANTY AND LIMITS OF LIABILITY CONTAINED HEREIN ARE IN LIEU OF ALL OTHER WARRANTIES AND LIABILITIES, EXPRESSED OR IMPLIED. ALL IMPLIED WARRANTIES OF MERCHANTABILITY AND FITNESS FOR A PARTICULAR PURPOSE ARE HEREBY DISCLAIMED BY BJM PUMPS, LLC AND EXCLUDED FROM THIS WARRANTY.

BJM Pumps, LLC neither assumes, nor authorizes any person to assume for it, any other warranty obligation in connection with the sale of the Product. This warranty shall not apply to any Product or parts of Product which have (a) been repaired or altered outside of BJM Pumps, LLC's facilities unless such repair was authorized in advance by BJM Pumps, LLC or by its authorized representative; or (b) have been subject to misuse, negligence or accident; or (c) have been used in a manner contrary to BJM Pumps, LLC's instruction.

In any case of products not manufactured and sold under the BJM Pumps, LLC brand name, there is no warranty from BJM Pumps, LLC; however BJM Pumps, LLC will extend any warranty received from BJM Pumps, LLC's supplier of such products.

START-UP REPORT FORM

START-UP REPORT FORM

This form is designed to record the initial installation, and to serve as a guide for troubleshooting at a later date (if needed).

BJM Pumps, LLC
123 Spencer Plain Road
Old Saybrook, CT. 06475

| | | | |
|--|--|---------------------|-------------|
| Pump Owner's Name | | | |
| | | | |
| Location of Installation | | | |
| Person in Charge | | | Phone() |
| Purchased From | | | |
| Model | | Serial No | |
| Voltage | Phase | Hertz | HP |
| Does impeller turn freely by hand? | <input type="checkbox"/> Yes <input type="checkbox"/> No | | |
| Condition of Equipment | <input type="checkbox"/> New <input type="checkbox"/> Good <input type="checkbox"/> Fair <input type="checkbox"/> Poor | | |
| Condition of Cable Jacket | <input type="checkbox"/> New <input type="checkbox"/> Good <input type="checkbox"/> Fair <input type="checkbox"/> Poor | | |
| Rotation: Direction of Impeller Rotation (Use C/W for clockwise, CC/W for counterclockwise): | | | |
| _____ | | | |
| Method used to check rotation (viewed from bottom) _____ | | | |
| Resistance of cable and Pump Motor (measured at pump control) | | | |
| Red-Black_____ ohms | Red-White_____ ohms | White-Black____ohms | |
| Resistance of ground circuit between control panel and outside of pumps | | | |
| _____ Ohms | | | |
| MEG OHM CHECK OF INSULATION | | | |
| Red to ground_____ White to ground_____ Black to ground_____ | | | |
| Condition of location at start-up | <input type="checkbox"/> Dry <input type="checkbox"/> Wet <input type="checkbox"/> Muddy | | |
| Was equipment stored | <input type="checkbox"/> Yes <input type="checkbox"/> No. | | |
| If YES, length of storage: | | | |
| Liquid being pump | | | |
| Debris in bottom of station? | <input type="checkbox"/> Yes <input type="checkbox"/> No | | |
| Was debris removed in your | <input type="checkbox"/> Yes <input type="checkbox"/> No | | |

START-UP REPORT FORM

| | | |
|--|------------------------------|---|
| presence? | | |
| Are guide rails exactly vertical? | <input type="checkbox"/> Yes | <input type="checkbox"/> No |
| Is base elbow installed level? | <input type="checkbox"/> Yes | <input type="checkbox"/> No |
| Liquid level controls: Model _____ | | |
| Is control installed away from turbulence? | <input type="checkbox"/> Yes | <input type="checkbox"/> No |
| Operation Check | | |
| Tip lowest float (stop float), all pumps should remain off. Tip second float (and stop float), one pump comes on. Tip third float (and stop float), both pumps on (alarm on simplex). Tip fourth float (and stop float), high level alarm on (omit on simplex). | | |
| If not on levels controls, describe type of controls | | |
| Does liquid level ever drop below volute top? | <input type="checkbox"/> Yes | <input type="checkbox"/> No |
| Control Panel MFG & model no. | | |
| Number of pumps operated by control panel | | |
| NOTE: At no time should hole be made in top of control panel, unless proper sealing devices are utilized. | | |
| Short Circuit protection: | Type: | |
| Number and size of short circuit device(s) | Amp rating: | |
| Overload type: | Size: | Amp rating: |
| Do protective devices comply with pump motor amp rating? | <input type="checkbox"/> Yes | <input type="checkbox"/> No |
| Are all pump connections tight? | <input type="checkbox"/> Yes | <input type="checkbox"/> No |
| Is the interior of the panel dry? | <input type="checkbox"/> Yes | <input type="checkbox"/> No If No, correct moisture problem. |
| Electrical readings | | |
| SINGLE PHASE | | |
| Voltage supply at panel line connection, pump off | L1 | L2 |
| Voltage supply at panel line connection, pump on | L1 | L2 |
| Amperage load connection, pump on | L1 | L2 |
| THREE PHASE | | |
| Voltage supply at panel line connection, pump off | | |
| L1-L2 | L2-L3 | L3-L1 |

START-UP REPORT FORM

| | | |
|--|--|---------------------------------------|
| | | |
| Voltage supply at panel line connection, pump on | | |
| L1-L2 | L2-L3 | L3-L1 |
| Amperage load connection, pump on | | |
| L1 | L2 | L3 |
| FINAL CHECK | | |
| Is pump secured properly? | <input type="checkbox"/> Yes <input type="checkbox"/> No | |
| Was pump checked for leaks? | <input type="checkbox"/> Yes <input type="checkbox"/> No | |
| Do check valves operate properly? | <input type="checkbox"/> Yes <input type="checkbox"/> No | |
| Flow: Does station appear to operate at proper rate? | <input type="checkbox"/> Yes <input type="checkbox"/> No | |
| Noise level: | Acceptable <input type="checkbox"/> | Unacceptable <input type="checkbox"/> |
| Comments: | | |
| Describe and equipment difficulties during start-up | | |
| Installed by: Company: _____ Person: _____ Date: _____ | | |
| Maintained by: Company: _____ Person: _____ | | |
| Date and time of start-up _____ Present at start-up: () Engineer's name _____ () Contractor's name _____ () Operator's name _____ () others _____ | | |



4/23/2010
0808
Supersedes
0807

TECHNICAL DATA
MODEL R250-115
BJM SUBMERSIBLE PUMP-CAST IRON



115V

GENERAL DATA

| | |
|--------------------------------------|---|
| MAX. FLOW: GPM (L/min) | 47.5 GPM (180 L/min) |
| MAX. HEAD: ft (m) | 26.2' (8 m) |
| MAX. SUBMERSION DEPTH: ft (m) | 65' (20m) or limited to length of power cord, Consult factory for deeper depths |
| PUMP TYPE | TOP DISCHARGE, DEWATERING |
| SOLID SIZE: in (mm) | 1/8" (3.1 mm) |
| STRAINER OPENING | 0.1875" (4.7 mm) |
| PUMP DOWN WATER LEVEL: in (mm) | 2.25" (57 mm) |
| DISCHARGE SIZE | 1.5" NPT-MALE |
| PUMP WEIGHT, without cable: lbs (kg) | 28 lbs (13 kg) |
| SHIPPING WEIGHT: lbs (kg) | 32 lbs (14.5 kg) |

CONSTRUCTION/MATERIAL DATA

| | |
|---------------------------------|---------------------------------|
| MECHANICAL SEAL - UPPER | CARBON/CERAMIC |
| MECHANICAL SEAL - LOWER | SILICON CARBIDE/SILICON CARBIDE |
| OUTER CASING | 304 SS |
| MOTOR CASING | 304 SS |
| PUMP VOLUTE | CAST IRON |
| IMPELLER- MULTI VANE | CAST IRON |
| STRAINER | 304 SS |
| BOTTOM PLATE | RUBBER COATED CAST IRON |
| LIPSEAL & O-RINGS | BUNA-N |
| ROTOR SHAFT | 304 SS |
| EXTERNAL HARDWARE | 304 SS |
| QTY. OIL IN SEAL CHAMBER | 1.35 U.S. FL. OZ. (40 C.C.) |
| BALL BEARING: PERM. LUBE. UPPER | 6201 |
| BALL BEARING: PERM. LUBE. LOWER | 6201 |

ELECTRICAL /MOTOR DATA

| | |
|----------------------------|-------------------------------------|
| MOTOR: TYPE, RATING HP | SUBMERSIBLE, 0.33 (CONTINUOUS DUTY) |
| MOTOR RPM | 3450 |
| MOTOR INSULATION CLASS | B |
| MOTOR SERVICE FACTOR | 1.0 |
| VOLTAGE ¹ | 115, 1 PH, 60 Hz |
| CURRENT F.L.A. | 4 |
| LOCKED ROTOR CURRENT (LRA) | 15 |
| MOTOR PROTECTION | THERMAL BREAKER |
| POWER CORD: GAGE; LENGTH | A.W.G. 16/3; 33' (10 m), STOW |
| MAXIMUM LIQUID TEMPERATURE | 104°F (40°C) |

1- Available in other voltages (and in 50 Hz).

©2008-2010 BJM Pumps, LLC. All rights reserved.
123 Spencer Plain Road
Old Saybrook, CT. 06475, USA
(860)399-5937 - (877) BJM-PUMP - Fax: (860)399-7784

REFER TO REVERSE SIDE FOR PUMP PERFORMANCE CURVES
SPECIFICATIONS SUBJECT TO CHANGE WITHOUT NOTICE



MODEL: R250

