



BR1570
REVERSIBLE HYDRAULIC PLATE COMPACTOR
PARTS BOOK



www.BARTELLGLOBAL.com

Doc. # PB-B19021
Orig. Rel. - 10/2013
Curr Rev. - 09



www.BARTELLGLOBAL.com

Bartell Morrison Inc.
170 Traders Blvd
Mississauga, Ontario, Canada
L4Z 1W7
Tel: (647) 953-4100
Fax: (647) 953-4101

Bartell Morrison USA LLC
200 Commerce Drive, Unit A
Freehold, NJ, USA
07728
Tel: (848) 225-8100
Fax: (848) 225-8101

SPE International Ltd
Honeyholes Lane
Dunholme, Lincoln, England
LN2 3SU
Tel: 01673 860709
Fax: 01673 861119

Innovatech
4701 Allmond Ave
Louisville, Kentucky, USA
40209
Tel: (425) 405-9100
Fax: (425) 405-9101

ORIGINAL LANGUAGE

© 2019 *Bartell Morrison Inc.*

No part of this work may be reproduced or transmitted in any form or by any means, electronic or mechanical, including photocopying and recording, or by any information storage or retrieval system without the prior written permission of Bartell Morrison Inc. unless such copying is permitted by federal copyright laws.

Address inquiries or reference permissions care of:
Bartell Morrison Inc., 170 Traders Blvd. E, Mississauga, Ontario, Canada, L4Z 1W7

REV.	DATE	DESCRIPTION	APPROVED BY:
00	10/2013	Initial release	AL
01	01/2014	Cover photo updated	AL
02	02/2014	Part number updated	AL
03	05/2014	Part description updated	AL
04	07/2014	Cover page updated	AL
05	14/07/17	Address update, Format updated	AN
06	10/2017	Added wheel kit parts list	AN
07	06/2018	Added sub-assembly kits to parts lists 2, 3 and 5	AN
08	04/2019	Items 5,6,7,8 descriptions updated parts list 3	AN
09	09/2019	Updated Address and P/N's	AN



TABLE OF CONTENTS

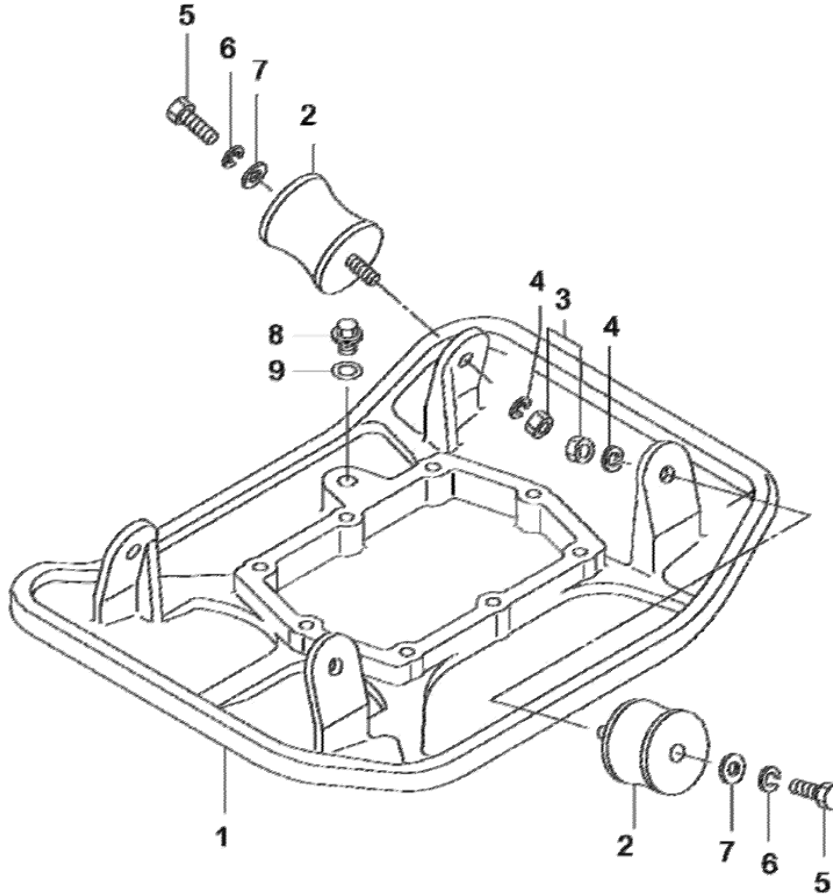
<u>PARTS LIST 1 – REVERSIBLE HYDRAULIC PLATE COMPACTORS</u>	3
VIBRATING PLATE: BR1570	4
VIBRATING PLATE: BR1570 – PARTS LIST 1	4
<u>PARTS LIST 2 – REVERSIBLE HYDRAULIC PLATE COMPACTORS</u>	5
BODY: BR1570	5
BODY: BR1570 - PARTS LIST 2	6
<u>PARTS LIST 3 – REVERSIBLE HYDRAULIC PLATE COMPACTORS</u>	9
VIBRATOR: BR1570	9
VIBRATOR: BR1570 – PARTS LIST 3	10
<u>PARTS LIST 4 – REVERSIBLE HYDRAULIC PLATE COMPACTORS</u>	12
CONTROL: BR1570	13
CONTROL: BR1570 – PARTS LIST 4	13
<u>PARTS LIST 5 – REVERSIBLE HYDRAULIC PLATE COMPACTORS</u>	15
HAND PUMP ASSEMBLY: BR1570	15
HAND PUMP ASSEMBLY: BR1570 – PARTS LIST 5	16
<u>PARTS LIST 6 – REVERSIBLE HYDRAULIC PLATE COMPACTORS</u>	17
WHEELS: BR1570	17
WHEELS: BR1570 – PARTS LIST 6	17



This Page Left Intentionally Blank

PARTS LIST 1 – REVERSIBLE HYDRAULIC PLATE COMPACTORS

VIBRATING PLATE: BR1570

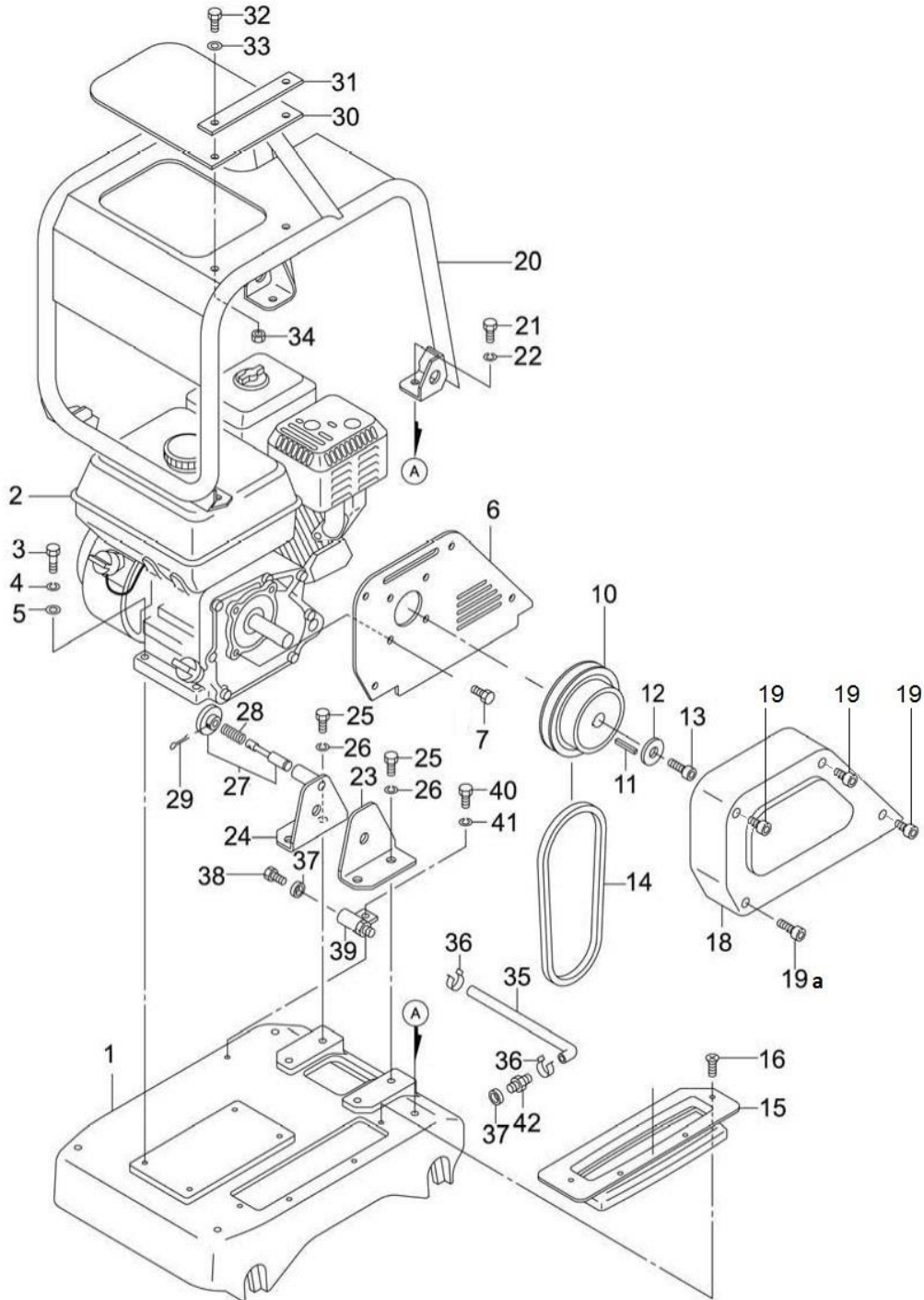


VIBRATING PLATE: BR1570 – PARTS LIST 1

Item #	Part #	Description	QTY	Remarks
1	65CPC-60-1A	VIBRATING PLATE	1	
2	651038	SHOCK ABSORBER	4	
3	11622	HEX NUT, M10-1.5	4	
4	11621	LOCKWASHER, M10	4	
5	14989	HHCS, M10-1.5x30MM	4	
6	11621	LOCKWASHER, M10	4	
7	41516	WASHER, M10	4	
8	651060	OIL PLUG, M16	1	
9	651061	OIL PLUG SEAL, M16 RUBBER WASHER	1	

PARTS LIST 2 – REVERSIBLE HYDRAULIC PLATE COMPACTORS

BODY: BR1570



BODY: BR1570 - PARTS LIST 2

Item #	Part #	Description	QTY	Remarks
1	65CPC-60-1B	BASE	1	
2	21333-1	ENGINE, GX160	1	
3	10452	HHCS, M8-1.25x40MM LG	4	
4	11614	LOCKWASHER, M8	4	
5	11667	WASHER, M8	4	
-	11504	SPACER (under engine, not shown)	A/R	
6	65CPC-60-6B	BELT COVER BACK PLATE	1	
7	11256	FHSCS, 5/16"-24 UNF x 1"LG	4	
10	651006	CLUTCH ASSEMBLY	1	
11	10208	KEY, 3/16" SQUARE X 1-1/2"	1	
12	30042	CLUTCH WASHER	1	
13	30041	FHSCS, 5/16-24UNF x 3/4"	1	
14	15372	V-BELT, AX31	1	
15	65CPC-60-15B	DUST COVER	1	
16	50621	FHSCS M6-1.0 x 25MM	4	
18	65CPC-60-18B	BELT COVER OUT	1	
19	31105	SOCKET HEAD BOLT M8 x 1.25 x 60 mm	3	
19a	14986	SOCKET HEAD BOLT M8 x 1.25 x 30 mm	1	
20	65CPC-60-20B	GUARD FRAME	1	
21	13348	HHCS, M10-1.5x25MM	4	
22	11621	LOCKWASHER, M10	4	
23	65CPC-60-23B	STAY (L) HANDLE	1	
24	65CPC-60-24B	STAY (R) HANDLE	1	
25	14989	HHCS, M10-1.5x30MM LG	4	
26	11621	LOCKWASHER, M10	4	
27	651144	LOCK, HANDLE ASSY	1	
28	651145	SPRING, LOCKING HANDLE	1	
29	651146	SPRING PIN, M2x16	1	
30	651176	RUBBER ACCESS FLAP ASSEMBLY	1	
31				
32	30281	HHCS, M6-1.0 x 25MM	2	
33	14447	WASHER, M6	2	
34	50622	LOCKNUT, M6x1.0	2	
Parts list 2 continued next page				

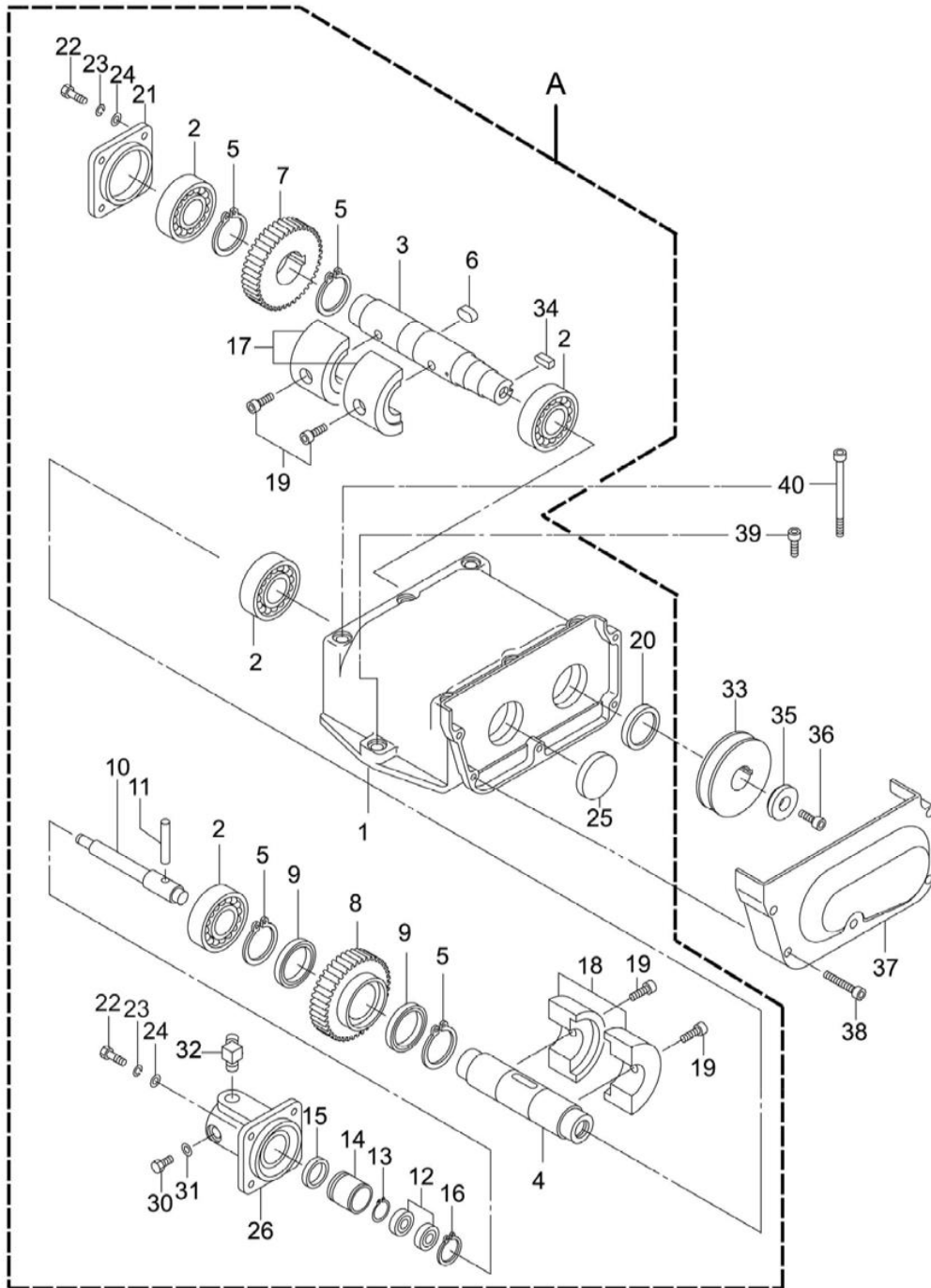
Parts list 2 continued				Remarks
35	65CPC-60-35B	DRAIN HOSE	1	Kit 651178 Only
36	65CPC-60-36B	HOSE BAND 11.5D	2	Kit 651178 Only
37	65CPC-60-37B	WASHER, DRAIN PLUG	2	Kit 651178 Only
38	65CPC-60-38B	BOLT, DRAIN PLUG	1	Kit 651178 Only
39	65CPC-60-40B	JOINT	1	Kit 651178 Only
40	10999	HHCS, M8-1.25 X 20MM	1	Individual or 651178 Kit
41	11614	LOCKWASHER, M8	1	Individual or 651178 Kit
42	11779	M12 X 1.5 MALE FITTING	1	Individual or 651178 Kit
35-42	651178	OIL DRAIN HOSE ASSEMBLY		INCL ITEMS 35 to 42



This Page Left Intentionally Blank

PARTS LIST 3 – REVERSIBLE HYDRAULIC PLATE COMPACTORS

VIBRATOR: BR1570



VIBRATOR: BR1570 – PARTS LIST 3

Item #	Part #	Description	QTY	Remarks
A	651020	VIBRATOR ASSEMBLY	1	
1	65CPC-95-01A	VIBRATOR CASE	1	
2	65CPC-60-2C	BEARING 6206	4	
3	65CPC-60-3C	ROTARY SHAFT, DRIVE	1	Kit 651189 Only
4	65CPC-60-4C	ROTARY SHAFT, DRIVEN	1	Kit 651188 Only
5	31373	RETAINING RING, 35MM	4	Individual or in Kits 651188 or 651189
6	65CPC-60-6C	KEY 10x8x19	1	Individual or in Kit 651189
7	65CPC-60-7C	GEAR (DRIVE)	1	Kit 651189 Only
8	65CPC-60-8C	GEAR (DRIVEN)	1	Kit 651188 Only
9	31126	BEARING 6807C3	2	Individual or in Kit 651188
10	65CPC-60-10C	PISTON ROD	1	Kit 651190 Only
11	651204	PIN 8x45	1	Individual or in Kit 651190
12	24242	BEARING, BALL 6000ZZ	2	Individual or in Kit 651190
13	60083	RETAINING RING, 10MM	1	Individual or in Kit 651190
14	65CPC-60-14C	PISTON, 30D	1	Kit 651190 Only
15	651074	PISTON SEAL USH-22.4x30x5	1	Individual or in Kit 651190
16	651202	STOP RING R-26	1	Individual or in Kit 651190
17	65CPC-60-17C	ECCENT ROTATOR, DRIVE	2	Kit 651189 Only
18	65CPC-60-18C	ECCENT ROTATOR, DRIVEN	2	Kit 651188 Only
19	10059	SHCS, M10-1.50x25MM	4	Individual or in Kits 651188 or 651189
20	651147	OIL SEAL, 28x45x8	1	
21	65CPC-60-21C	BEARING COVER	1	
22	10999	HHCS, M8-1.25X20MM	8	
23	11614	LOCKWASHER, M8	8	
24	11667	WASHER, M8	8	
25	651152	SEAL CAP	1	
26	65CPC-60-26C	CYLINDER	1	
30	651081	HYD BOLT M8x12T	1	
31	651080	WASHER, SEALING	1	
32	65CPC-60-32C	HYDRAULIC FITTING	1	
33	651115	PULLEY, 3.25"	1	
		Parts list 3 continued next page		



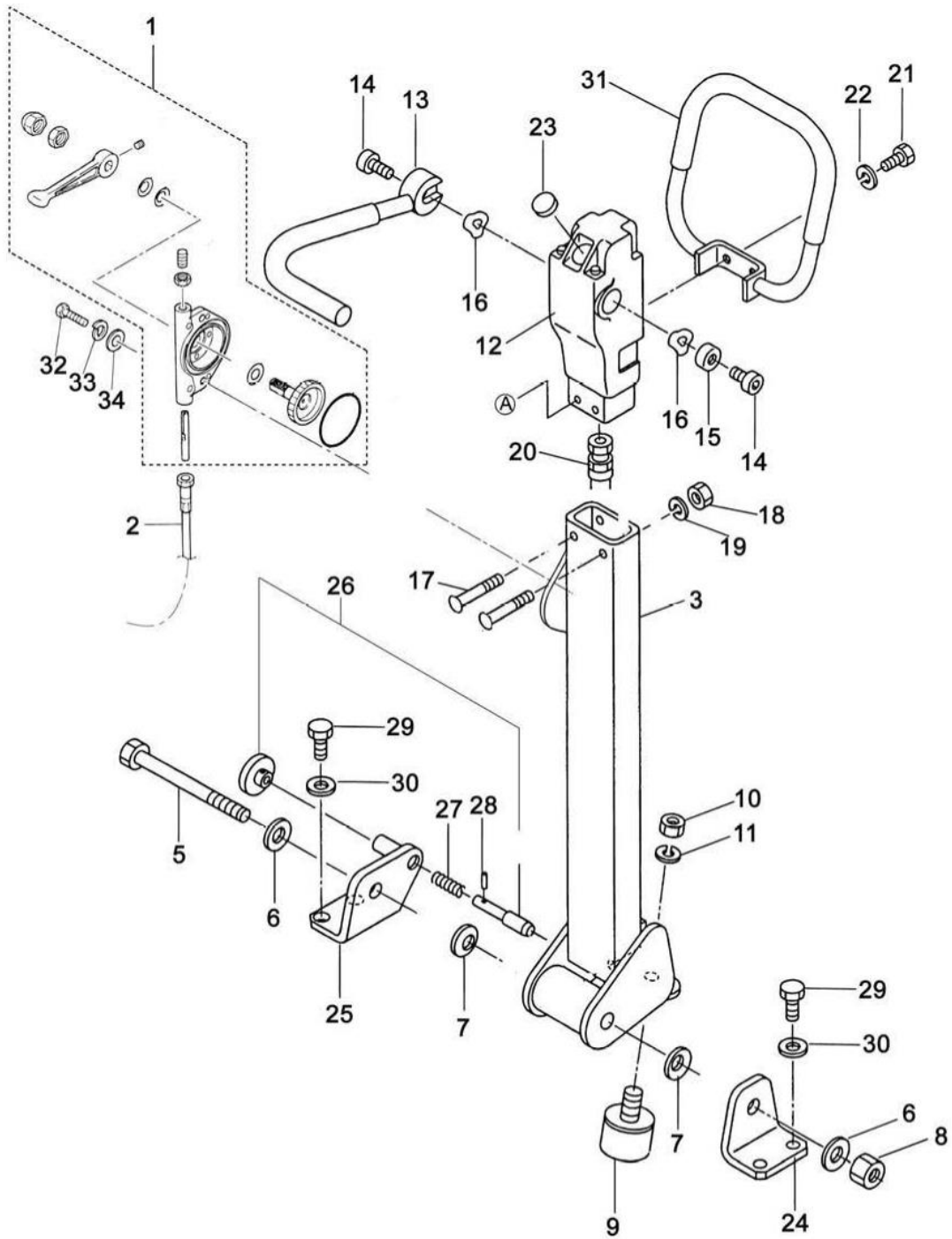
Parts list 3 continued				
34	651094	KEY 7x7x19	1	
35	65CPC-60-35C	WASHER, RETAINER	1	
36	11769	SHCS, M8-1.25x16MM	1	
37	65CPC-60-37OIL	BELT COVER (LOWER-OUT)	1	
38	11495	SOCKET HEAD BOLT M6x40t	5	
39	14989	HHCS, M10-1.5x30MM	2	
40	18556	BOLT M10x100T	6	
	651188	DRIVEN SHAFT ASSEMBLY	1	INCL ITEMS 5, 8, 9, 18, 19
	651189	DRIVE SHAFT ASSEMBLY	1	INCL ITEMS 3, 5, 6, 7, 17, 19
	651190	PISTON ASSEMBLY	1	INCL ITEMS 10 to 16



This Page Left Intentionally Blank

PARTS LIST 4 – REVERSIBLE HYDRAULIC PLATE COMPACTORS

CONTROL: BR1570

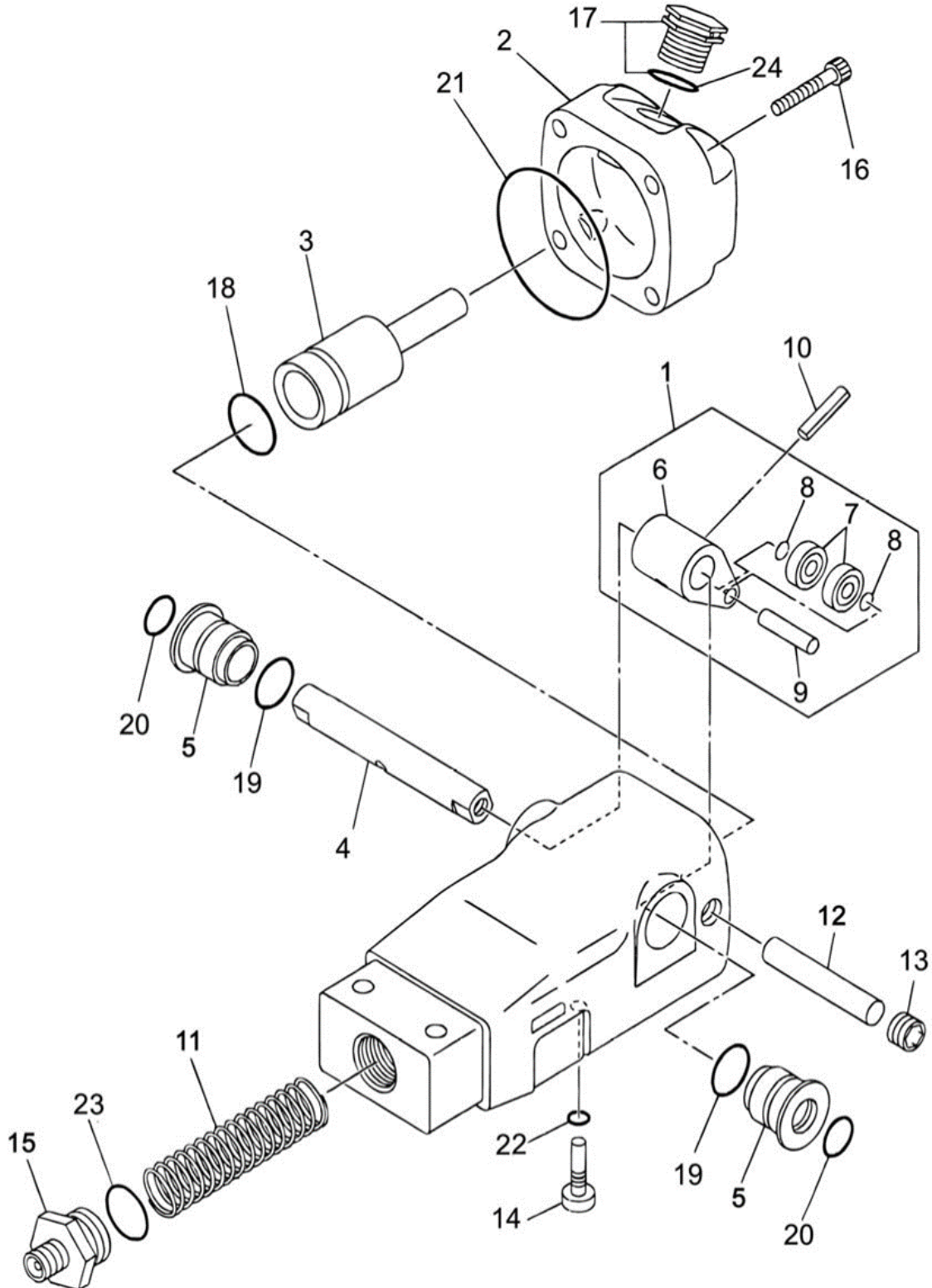


CONTROL: BR1570 – PARTS LIST 4

Item #	Part #	Description	QTY	Remarks
1	651050	THROTTLE LEVER ASSEMBLY	1	
2	651055	THROTTLE WIRE	1	
3	65CPC-160-3D	HANDLE AY	1	
5	60084	HHCS, M12-1.75x130MM	1	
6	10993	WASHER, M12	2	
7	65CPC-60-7D	CONICAL SPRING WASHER M12	2	
8	10956	LOCKNUT, M12-1.75	2	
9	651037	RUBBER STOPPER	1	
10	11622	HEX NUT, M10-1.5	1	
11	11621	LOCKWASHER, M10	1	
12	651040	HANDLE PUMP ASSEMBLY	1	
13	651141	TRAVEL LEVER	1	
14	30282	SHCS, M10-1.5x20MM	2	
15	65CPC-60-15D	COLLAR	1	
16	65CPC-60-16D	WAVE WASHER 15.5x20x3	4	
17	10453	HHCS, M8-1.25 x 50MM	2	
18	11617	LOCKNUT, M8x1.25	2	
19	11614	LOCKWASHER, M8	2	
20	65CPC-60-20D	OIL HOSE	1	
21	10999	HHCS, M8-1.25 x 20MM	2	
22	11614	LOCKWASHER, M8	2	
23	651205	BREATHER CAP	1	
24	651213	HANDLE BRACKET (L)	1	
25	651214	HANDLE BRACKET (R)	1	
26	651144	LOCK, HANDLE ASSY	1	
27	651145	SPRING	1	
28	651146	SPRING PIN, M2x16	1	
29	14989	HHCS, M10-1.5x30MM	4	
30	11621	LOCKWASHER, M10	4	
31	651142	HANDLE GRIP	1	
32	30281	HHCS, M6-1.0 x 25MM	2	
33	14448	LOCKWASHER, M6	2	
34	14447	WASHER, M6	2	

PARTS LIST 5 – REVERSIBLE HYDRAULIC PLATE COMPACTORS

HAND PUMP ASSEMBLY: BR1570

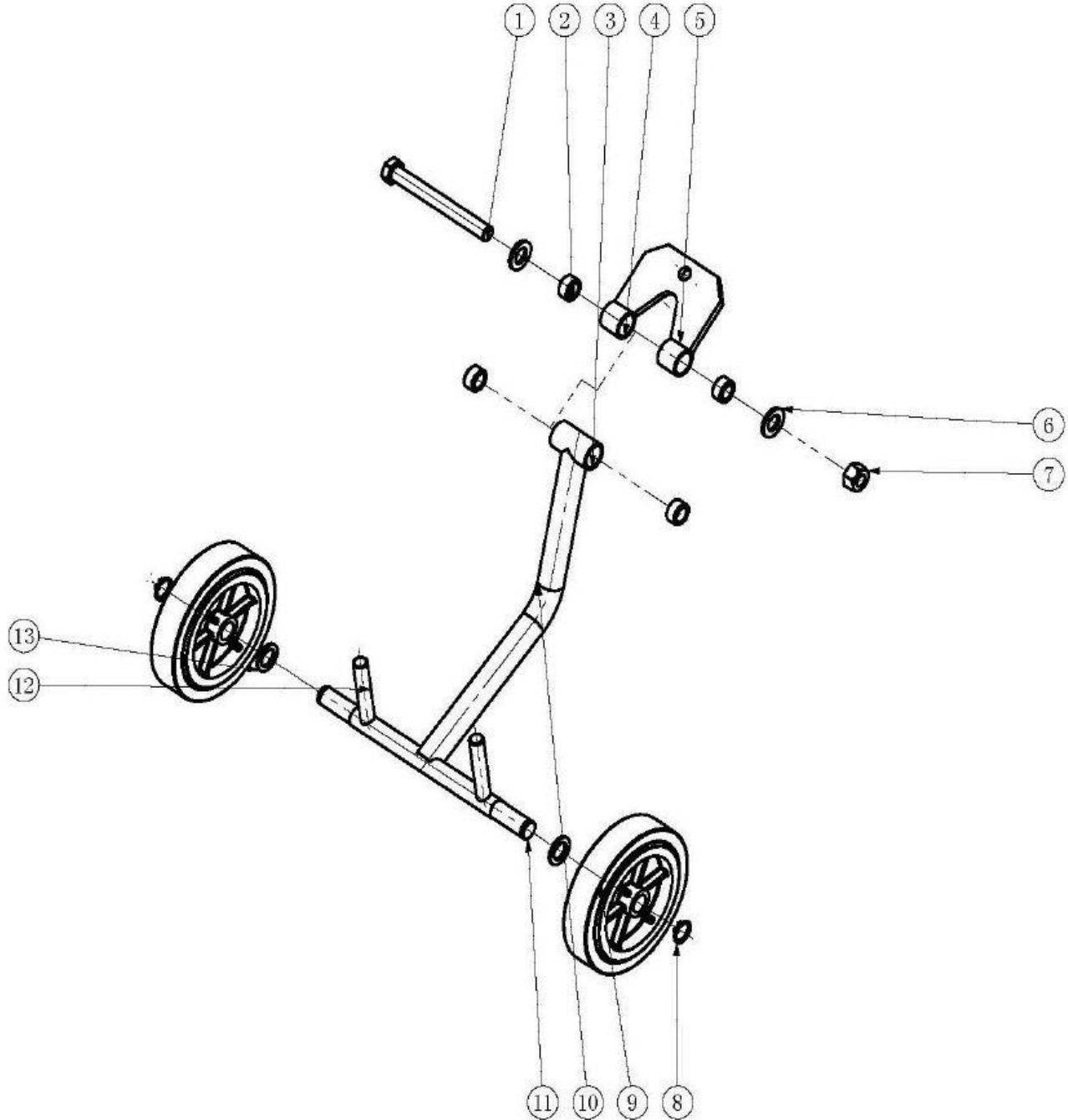


HAND PUMP ASSEMBLY: BR1570 – PARTS LIST 5

Item #	Part #	Description	QTY	Remarks
1	651130	CAM ASSEM (PUMP) ITEMS 6-9	1	
2	65CPC-60-2E	COVER (HAND PUMP)	1	
3	651181	PISTON CP	1	
4	651131	CONTROL SHAFT (PUMP)	1	
5	651209	BUSHING	2	
6	65CPC-60-6E	CAM (PUMP)	1	Kit 651130 Only
7	65CPC-60-7E	BEARING 607ZZ	2	Kit 651130 Only
8	65CPC-60-8E	SPACER	2	Kit 651130 Only
9	65CPC-60-9E	PIN M7 x 30MM	1	Kit 651130 Only
10	651132	PIN M6 x 26MM	1	
11	65CPC-60-11E	SPRING (PUMP)	1	
12	65CPC-60-12E	STOPPER (PUMP)	1	
13	65CPC-60-13E	PLUG	1	
14	65CPC-60-14E	STOP PLUG	1	
15	65CPC-60-15E	HOSE JOINT	1	
16	31238	SHCS, M6-1.0X35	4	
17	651205	BREATHER (PUMP)	1	
18	65CPC-60-18E	O-RING G-25	1	Kit 651129 Only
19	65CPC-60-19E	O-RING P-20	2	Kit 651129 Only
20	65CPC-60-20E	O-RING P-15	2	Kit 651129 Only
21	65CPC-60-21E	O-RING S-67	1	Kit 651129 Only
22	65CPC-60-22E	O-RING S-8	1	Kit 651129 Only
23	65CPC-60-23E	O-RING S-22	1	Kit 651129 Only
24	65CPC-60-24E	O-RING P-18	1	Kit 651129 Only
	651129	O-RING KIT ITEMS 18-24	1	

PARTS LIST 6 – REVERSIBLE HYDRAULIC PLATE COMPACTORS

WHEELS: BR1570





WHEELS: BR1570 – PARTS LIST 6

Item #	Part #	Description	QTY	Remarks
1	60084	HHCS, M12-1.75 x 125MM	1	
2	65CPC-60-02G	COLLAR	4	
3	65CPC-60-03G	WHEELS FRAME	1	
10			1	
11			1	
12			2	
4	65CPC-60-04G	WHEELS PLATE	2	
5			1	
6	14267	WASHER, M12	2	
7	10956	LOCKNUT, M12-1.75	1	
8	651079	RETAINING RING	2	
9	651085	WHEELS	2	
13	65CPC-60-13G	WASHER DIA 15mm	2	
	651096	WHEEL KIT ASSEMBLY	1	
	651042	RUBBER HOLDER (NOT SHOWN)	1	

BARTELL

BARTELL GLOBAL



Bartell Morrison Inc.
170 Traders Blvd E
Mississauga, Ontario, Canada
L4Z 1W7
Tel: 1-647-953-4100
Fax: 1-647-953-4101



Bartell Morrison (USA) LLC
200 Commerce Drive, Unit A
Freehold, New Jersey, USA
07728
Tel: 1-848-225-8100
Fax: 1-848-225-8101



Innovatech
4701 Allmond Ave
Louisville, Kentucky, USA
40209
Tel: (425) 405-9100
Fax: (425) 405-9101



SPE International
Honeyholes Lane
Dunholme, Lincoln, UK
LN2 3SU
Tel: +44 (0)1673 860709
Fax: +44 (0)1673 861119



**BARTELL
GLOBAL**

**5 BRANDS - 1 SOURCE FOR
GREAT EQUIPMENT**

BARTELL morrison SPE Innovatech CONTEC

BARTELLGLOBAL.COM