



**BR3570**  
**REVERSIBLE HYDRAULIC PLATE COMPACTOR**  
**PARTS BOOK**



[www.BARTELLGLOBAL.com](http://www.BARTELLGLOBAL.com)

Doc. # PB-B19023  
Orig. Rel. – 10/2013  
Curr Rev. – 08



**www.BARTELLGLOBAL.com**

**Bartell Morrison Inc.**  
170 Traders Blvd E  
Mississauga, Ontario, Canada  
L4Z 1W7  
Tel: (647) 953-4100  
Fax: (647) 953-4101

**Bartell Morrison USA LLC**  
200 Commerce Drive, Unit A  
Freehold, NJ, USA  
07728  
Tel: (848) 225-8100  
Fax: (848) 225-8101

**SPE International Ltd**  
Honeyholes Lane  
Dunholme, Lincoln, England  
LN2 3SU  
Tel: 01673 860709  
Fax: 01673 861119

**Innovatech**  
4701 Allmond Ave  
Louisville, Kentucky, USA  
40209  
Tel: (425) 405-9100  
Fax: (425) 405-9101

**ORIGINAL LANGUAGE**

© 2019 *Bartell Morrison Inc.*

No part of this work may be reproduced or transmitted in any form or by any means, electronic or mechanical, including photocopying and recording, or by any information storage or retrieval system without the prior written permission of Bartell Morrison Inc. unless such copying is permitted by federal copyright laws.

Address inquiries or reference permissions care of:  
Bartell Morrison Inc., 170 Traders Blvd. E, Mississauga, Ontario, Canada, L4Z 1W7

REV.	DATE	DESCRIPTION	APPROVED BY:
00	10/2013	Initial release	AL
01	02/2014	Part number updated	AL
02	02/2014	Cover page updated	AL
03	06/2014	Updated address	AL
04	07/2014	Cover page updated	AL
05	07/2017	Added part number for wheel kit, Address update, Format update	AN
06	1/2017	Updated description and quantity of item 2 on parts list 3, Added wheel kit parts list	AN
07	18/2018	Added sub-assembly kits to parts lists 2, 3 and 5	AN
08	12/2019	Updated Address and P/N's	AN

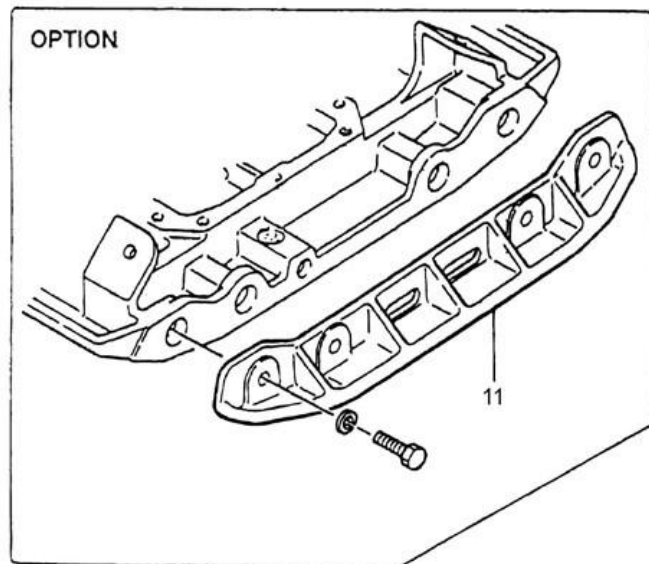
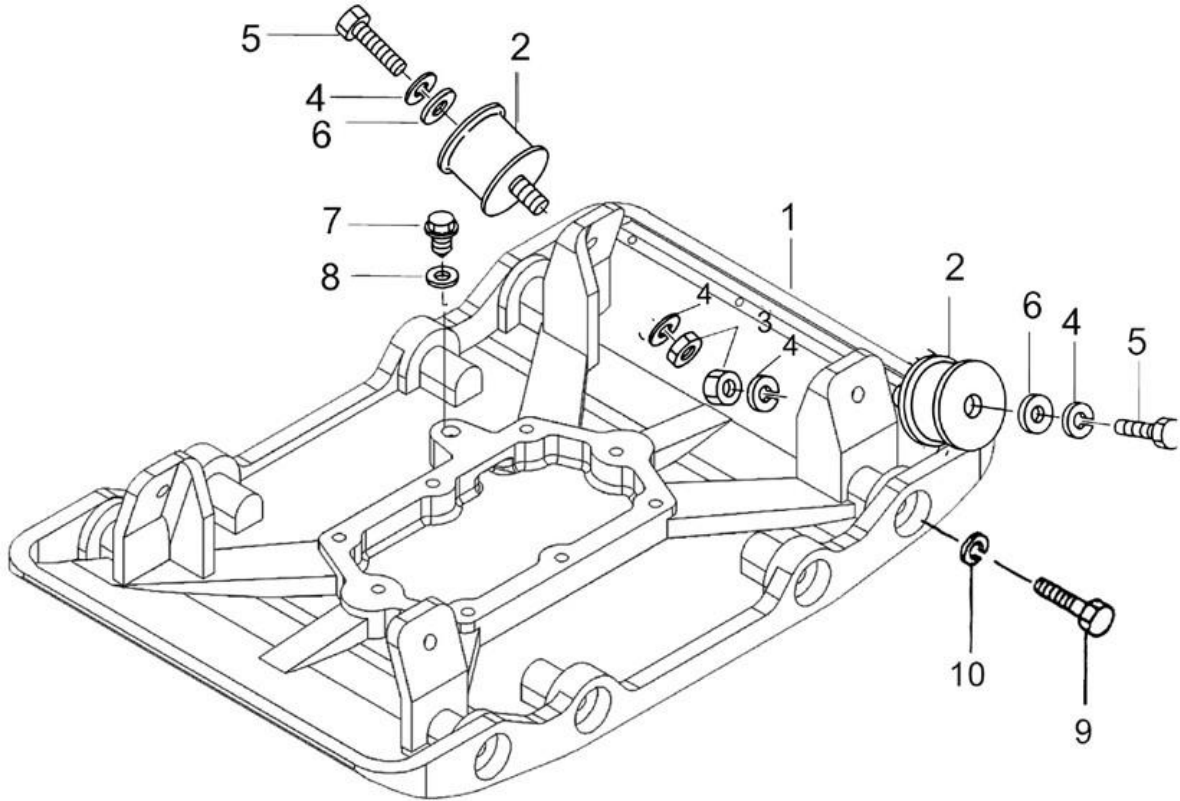


## **TABLE OF CONTENTS**

<b><u>PARTS LIST 1 – REVERSIBLE HYDRAULIC PLATE COMPACTORS</u></b>	<b>3</b>
VIBRATING PLATE: BR3570	3
VIBRATING PLATE: BR3570 – PARTS LIST 1	4
<b><u>PARTS LIST 2 – REVERSIBLE HYDRAULIC PLATE COMPACTORS</u></b>	<b>5</b>
BODY: BR3570	5
BODY: BR3570 - PARTS LIST 2	6
<b><u>PARTS LIST 3 – REVERSIBLE HYDRAULIC PLATE COMPACTORS</u></b>	<b>9</b>
VIBRATOR: BR3570	9
VIBRATOR: BR3570 – PARTS LIST 3	10
<b><u>PARTS LIST 4 – REVERSIBLE HYDRAULIC PLATE COMPACTORS</u></b>	<b>13</b>
CONTROL: BR3570	13
CONTROL: BR3570 – PARTS LIST 4	14
<b><u>PARTS LIST 5 – REVERSIBLE HYDRAULIC PLATE COMPACTORS</u></b>	<b>15</b>
HAND PUMP ASSEMBLY: BR3570	15
HAND PUMP ASSEMBLY: BR3570 – PARTS LIST 5	16
<b><u>PARTS LIST 6 – REVERSIBLE HYDRAULIC PLATE COMPACTORS</u></b>	<b>17</b>
WHEELS: BR3570	17
WHEELS: BR3570 – PARTS LIST 6	17

# PARTS LIST 1 – REVERSIBLE HYDRAULIC PLATE COMPACTORS

## VIBRATING PLATE: BR3570



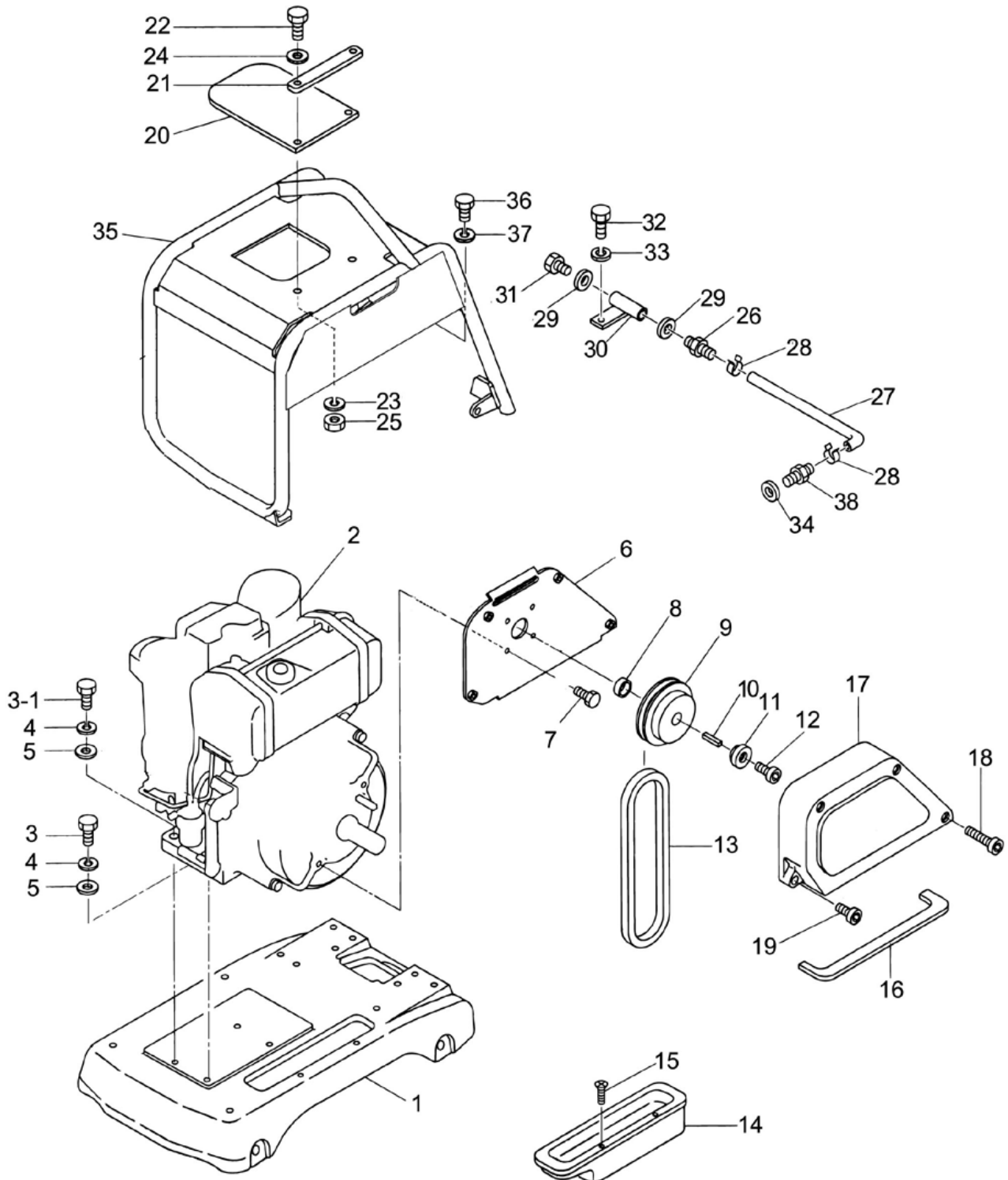


**VIBRATING PLATE: BR3570 – PARTS LIST 1**

Item #	Part #	Description	QTY	Remarks
1	65CPC-240-01A	VIBRATING PLATE	1	
2	651033	RUBBER MOUNT, SHOCK ABSORBER	4	
3	10730	NUT, M12 x 1.75	4	
4	10735	LOCKWASHER, M12	8	
5	10881	HHCS, M12 x 1.75 x 35mm	4	
6	10993	WASHER, M12	4	
7	651060	OIL PLUG M16x1.5	1	
8	651061	OIL PLUG SEAL, M16	1	
9	651072	HHCS, M16-2.0 x 25MM	8	
10	10735	LOCKWASHER, M12	8	
11	651110	EXTENSION KIT, 24.4"x3"	2	

# PARTS LIST 2 – REVERSIBLE HYDRAULIC PLATE COMPACTORS

## BODY: BR3570



**BODY: BR3570 - PARTS LIST 2**

Item #	Part #	Description	QTY	Remarks
1	65CPC-240-01B	BASE	1	
2	21334	HONDA, GX270	4	
3	11924	HHCS, M10-1.5 X 40MM	4	
4	11621	LOCKWASHER, M10	4	
5	41516	WASHER, M10	1	
6	65CPC-240-06B	BACK PLATE/BELT COVER PLATE	4	
7	30041	FHSCS, 5/16-24 x 3/4"	1	
9	30248	CLUTCH ASSEMBLY	1	
10	10608	KEY, 1/4" SQ X 1-5/32"	1	
11	16111	CLUTCH RETAINER, 1" COLLAR	1	
13	15371	V- BELT, XPA922	1	
14	65CPC-240-14B	DUST COVER	1	
15	10068	FHSCS, M6-1.00 x 16MM	2	
16	65CPC-240-16B	SPONGE, DUST COVER	1	
17	65CPC-160-17B	BELT COVER OUT	1	
18	31105	SOCKET HEAD BOLT M8x60T	3	
19	14986	SOCKET HEAD BOLT M8x30T	1	
20	651176	RUBBER COVER	1	
21		PLATE, RUBBER COVER	1	
22	11619	HHCS, M8-1.25 x 25MM	2	
23	11614	LOCKWASHER, M8	2	
24	11667	WASHER, M8	4	
25	11617	NYLON NUT M8	2	
26	65CPC-240-26B	UNION	1	Kit 651178 Only
27	65CPC-240-27B	DRAIN HOSE	1	Kit 651178 Only
28	65CPC-240-28B	HOSE CLAMP	2	Kit 651178 Only
29	65CPC-240-29B	GASKET 10x18.1,5	1	Kit 651178 Only
30	65CPC-240-30B	PLUG	1	Kit 651178 Only
31	65CPC-240-31B	JOINT BLOCK	1	Kit 651178 Only
32	10999	HHCS, M8-1.25 x 20MM	1	Individual or Kit 651178
33	11614	LOCKWASHER, M8	1	Individual or Kit 651178
		Parts list 2 continued next page		



Parts list 2 continued				
34	65CPC-240-34B	SEAL WASHER	1	Kit 651178 Only
35	65CPC-240-35B	GUARD FRAME	1	
36	13348	HHCS, M10-1.5 x 25MM	4	
37	11621	LOCKWASHER, M10	4	
26-34	651178	OIL DRAIN HOSE ASSEMBLY INCLUDES ITEMS # 26 TO 34	1	

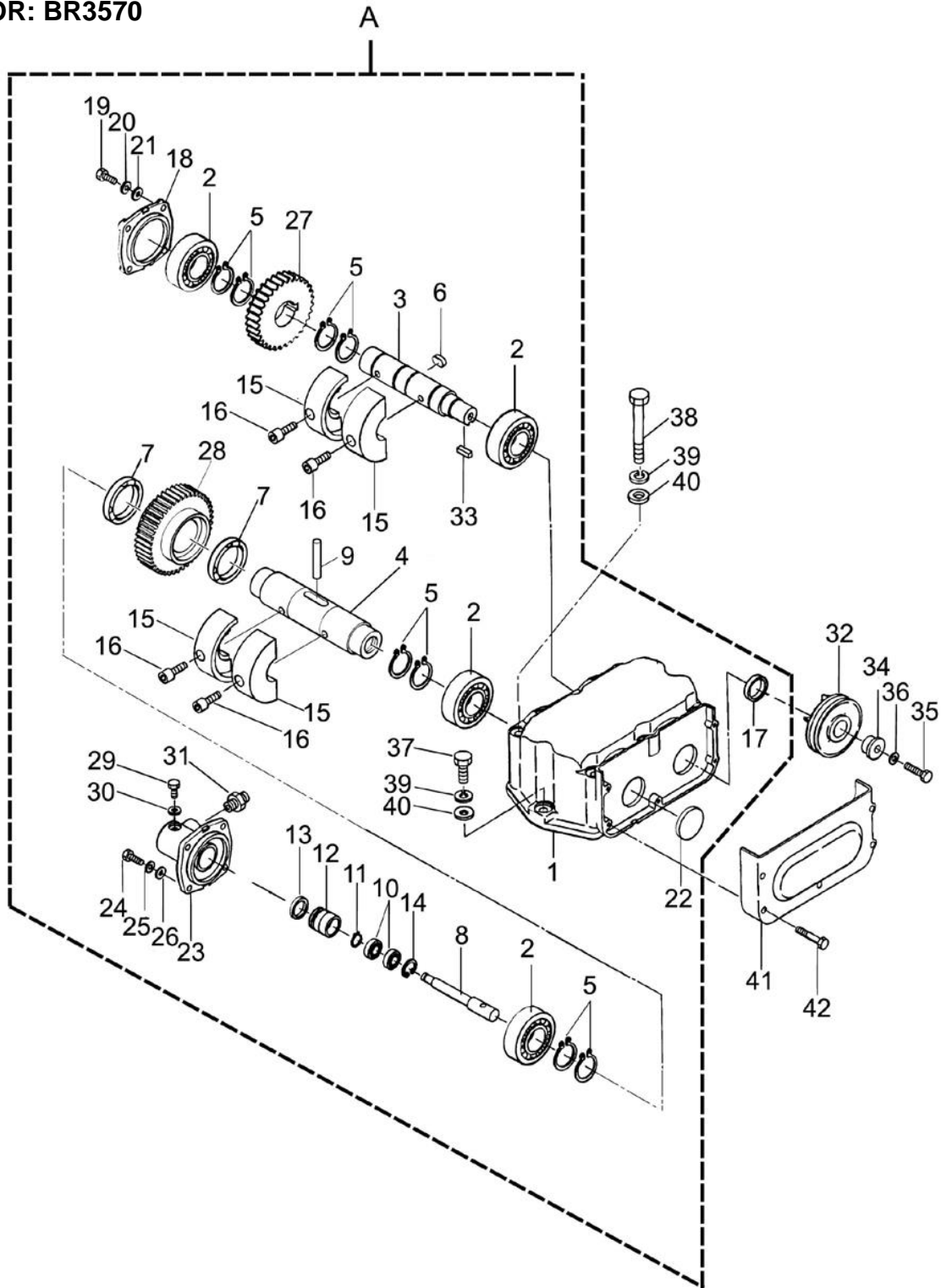




**This Page Left Intentionally Blank**

# PARTS LIST 3 – REVERSIBLE HYDRAULIC PLATE COMPACTORS

VIBRATOR: BR3570



**VIBRATOR: BR3570 – PARTS LIST 3**

Item #	Part #	Description	QTY	Remarks
C	651022	VIBRATOR ASSEMBLY	1	
1	65CPC-240-01C	VIBRATING CASE	1	
2	24240	ROLLER BEARING NJ307EM	4	
3	65CPC-240-03C	ROTARY SHAFT, DRIVE	1	Kit 651183 Only
4	65CPC-240-04C	ROTARY SHAFT, DRIVEN	1	Kit 651182 Only
5	31373	STOP RING S-35	8	Individual or in Kits 651182, 651183
6	65CPC-240-06C	KEY 10x8x19	1	Individual or in Kit 651183
7	24241	BEARING 6907ZZ	2	Individual or in Kit 651182
8	65CPC-240-08C	PISTON ROD	1	Kit 651184 Only
9	651204	PIN 8x50	1	Individual or in Kit 651184
10	24242	BEARING 6000ZZ	2	Individual or in Kit 651184
11	60083	STOP RING S-10	1	Individual or in Kit 651184
12	651151	PISTON	1	Kit 651184 Only
13	651074	PACKING 22.4x30x5	1	Individual or in Kit 651184
14	651202	STOP RING R-26	1	Individual or in Kit 651184
15	65CPC-240-15C	ECCENTRIC WEIGHT	4	Kit 651182 or 651183 Only
16	14985	SHCS, M10-1.50 x 30MM	4	Individual or in Kits 651182 or 651183
17	651147	OIL SEAL SC-28458	1	
18	65CPC-240-18C	BEARING COVER	1	
19	10999	HHCS, M8-1.25X20MM	4	
20	11614	LOCKWASHER, M8	4	
21	11667	WASHER, M8	4	
22	651152	SEAL CAP	1	
23	651149	CYLINDER	1	
24	11619	HHCS, M8-1.25 x 25MM	4	
25	11614	LOCKWASHER, M8	4	
26	11667	WASHER, M8	4	
27	65CPC-240-27C	GEAR (DRIVE)	1	Kit 651186 Only
28	65CPC-240-28C	GEAR (DRIVEN)	1	Kit 651182 Only
		Parts list 3 continued next page		

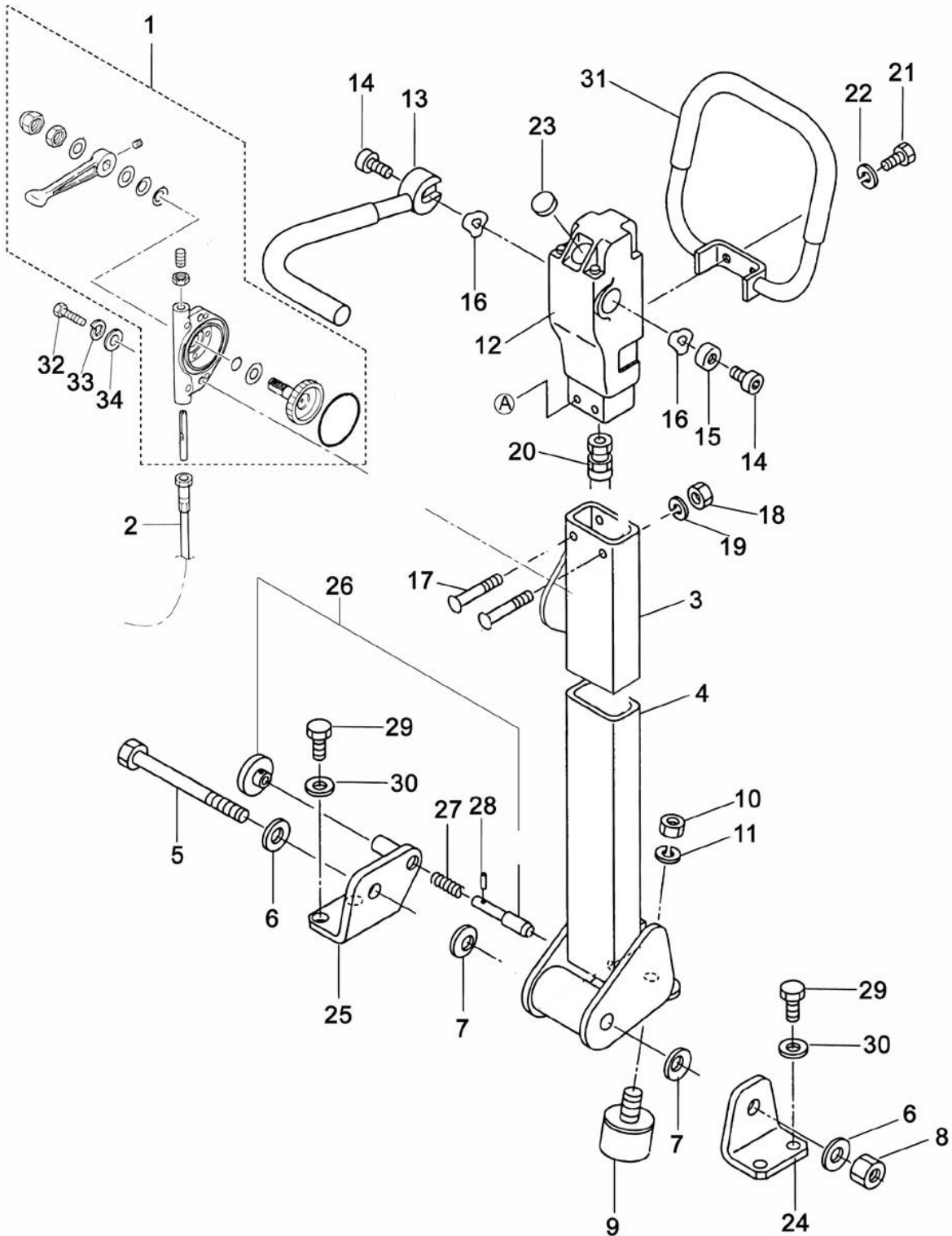
Parts list 3 continued				
29	651081	HYDRAULIC BLEEDING BOLT	1	
30	651080	WASHER, SEALING	1	
31	65CPC-240-31C	CONNECTOR	1	
32	651116	PULLEY, 3.5"	1	
33	651094	KEY 8x7x25	1	
34	651165	WASHER, RETAINER	1	
35	10155	HHCS, M8-1.25 x 35MM	1	
36	11614	LOCKWASHER, M8	1	
37	10881	HHCS, M12x1.75 x 35mm	2	
38	10714	HHCS, M12x1.75 x 120mm	6	
39	10735	LOCKWASHER, M12	8	
40	10993	WASHER, M12	8	
41	65CPC-240-41C	BELT COVER (LOWER)	1	
42	18550	SHCS, M6-1.0X45MM	5	
	651182	DRIVEN SHAFT ASSEM ITEMS # 4, 5, 7, 15, 16, 28	1	
	651183	DRIVE SHAFT ASSEM ITEMS # 3, 5, 6, 15, 16, 27	1	
	651184	PULLEY SHAFT ASSEM ITEMS # 8, 9, 10, 11, 12, 13, 14	1	



**This Page Left Intentionally Blank**

# **PARTS LIST 4 – REVERSIBLE HYDRAULIC PLATE COMPACTORS**

**CONTROL: BR3570**

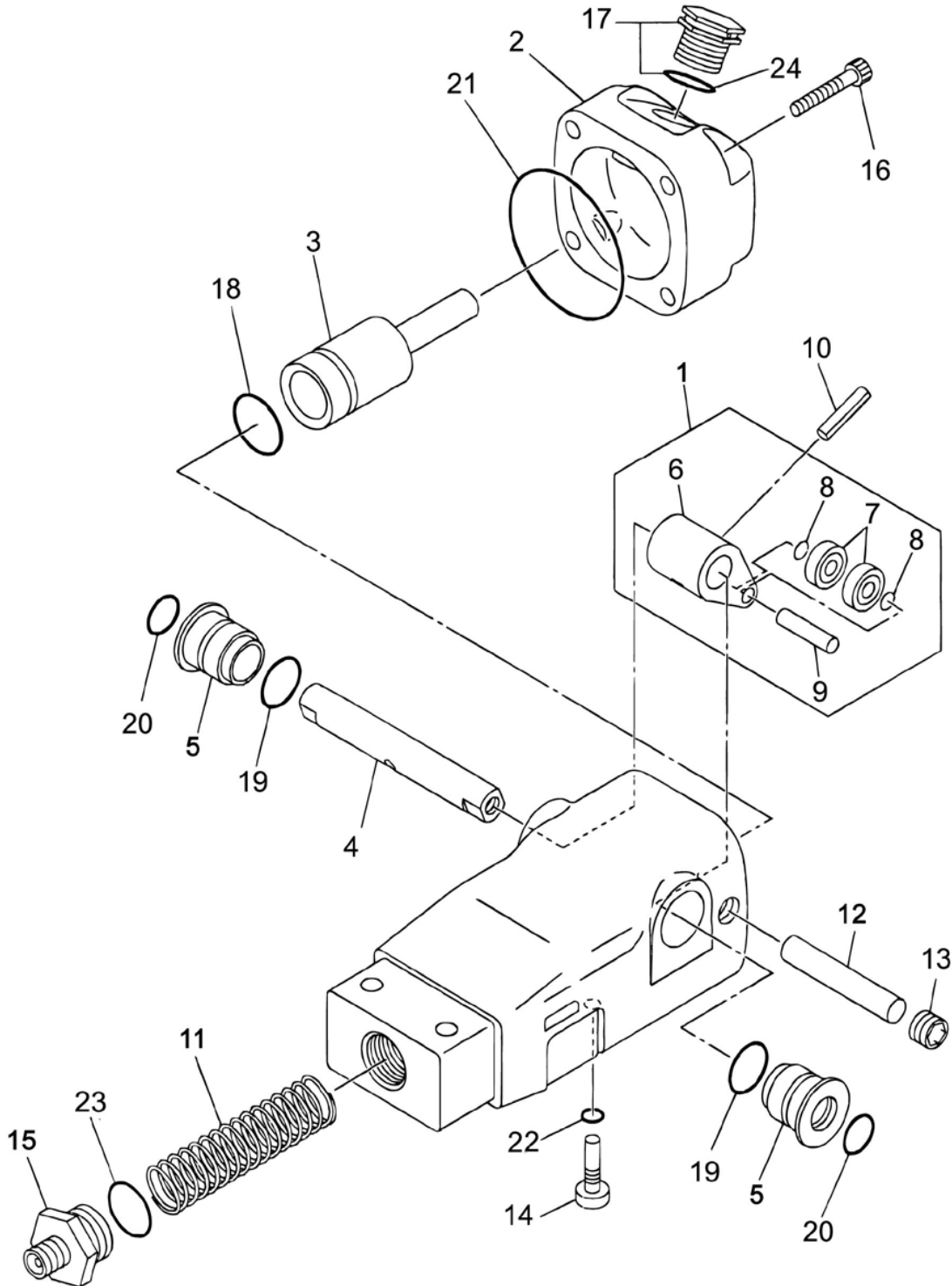


**CONTROL: BR3570 – PARTS LIST 4**

Item #	Part #	Description	QTY	Remarks
1	651050	THROTTLE LEVER ASSEMBLY w/WIRE	1	
2				
3	65CPC-240-03D	HANDLE UPPER AY	1	
4	65CPC-240-04D	HANDLE LOWER AY	1	
5	65CPC-240-05D	BOLT M16x150T	1	
6	31211	WASHER, M16	2	
7	65CPC-240-07D	SPRING WASHER, M16	4	
8	60138	LOCKNUT, M16	2	
9	651037	SHOCK ABSORBER, STOPPER	1	
10	11622	HEX NUT, M10	1	
11	11621	PACKING M10	1	
12	651040	HANDLE PUMP ASSEMBLY	1	
13	651141	TRAVEL LEVER	1	
14	14301	FHSCS, M8-1.25 x 25mm	2	
15	65CPC-240-15D	COLLAR	1	
16	65CPC-240-16D	WAVE WASHER 15.5x20x0.3	4	
17	10453	HHCS, M8-1.25x50MM	2	
18	11617	LOCKNUT, M8x1.25	2	
19	11614	LOCKWASHER, M8	2	
20	65CPC-240-20D	OIL HOSE	1	
21	10999	HHCS, M8-1.25 x 20MM	2	
22	11614	LOCKWASHER, M8	2	
23	651205	BREATHER CAP	1	
24	651213	HANDLE BRACKET (L)	1	
25	651214	HANDLE BRACKET (R)	1	
26	651144	STOPPER	1	
27	651145	SPRING	1	
28	651146	SPRING PIN M2 x 16	1	
29	14989	HHCS, M10-1.5 x 30MM	4	
30	11621	LOCKWASHER, M10	4	
31	651142	HANDLE GRIP	1	
32	30281	HHCS, M6-1.0 X 25MM	2	
33	14448	LOSKWASHER, M6	2	
34	14447	WASHER, M6	2	

# PARTS LIST 5 – REVERSIBLE HYDRAULIC PLATE COMPACTORS

## HAND PUMP ASSEMBLY: BR3570



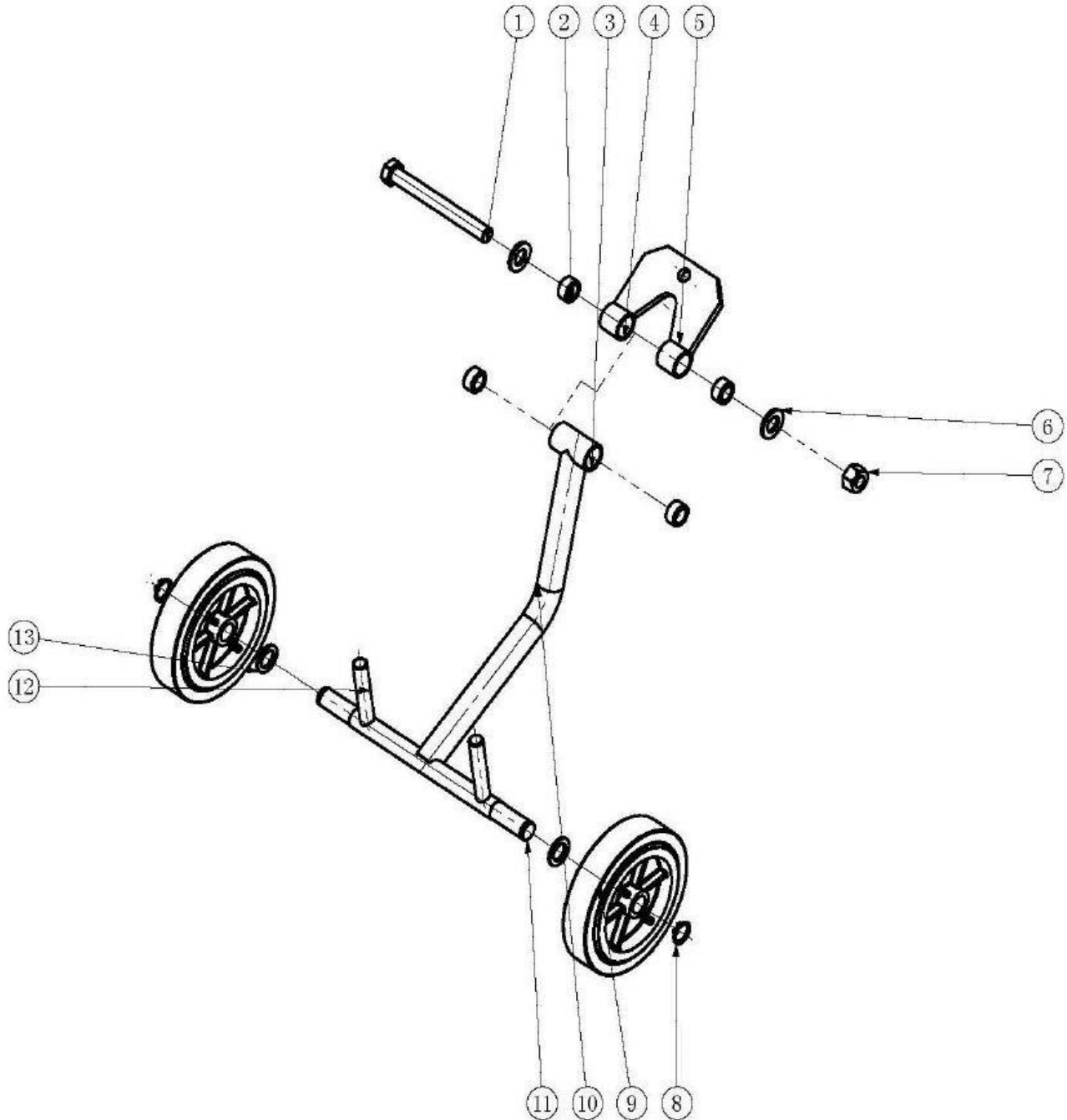


**HAND PUMP ASSEMBLY: BR3570 – PARTS LIST 5**

Item #	Part #	Description	QTY	Remarks
1	651130	CAN ASSEM (PUMP) ITEMS 6-9	1	
2	65CPC-240-02E	COVER (HAND PUMP)	1	
3	651181	PISTON HAND PUMP	1	
4	651131	CONTROL SHAFT (PUMP)	1	
5	651209	BUSH	2	
6	65CPC-240-06E	CAN (PUMP)	1	Kit 651130 Only
7	65CPC-240-07E	BEARING 607ZZ	2	Kit 651130 Only
8	65CPC-240-08E	SPACER	2	Kit 651130 Only
9	65CPC-240-09E	PIN 7x30	1	Kit 651130 Only
10	651132	SPRING PIN 6x25	1	
11	65CPC-240-11E	SPRING (PUMP)	1	
12	65CPC-240-12E	STOPPER (PUMP)	1	
13	651201	PLUG	1	
14	65CPC-240-14E	STOP PLUG M8x30	1	
15	CPC-240-15E	HOSE JOINT	1	
16	31238	SHCS, M6-1.0 X 35	4	
17	651205	BREATHER (PUMP)	1	
18	65CPC-240-18E	O-RING G-25	1	Kit 651129 Only
19	65CPC-240-19E	O-RING P-20	2	Kit 651129 Only
20	65CPC-240-20E	O-RING P-15	2	Kit 651129 Only
21	65CPC-240-21E	O-RING S-67	1	Kit 651129 Only
22	65CPC-240-22E	O-RING S-8	1	Kit 651129 Only
23	65CPC-240-23E	O-RING S-22	1	Kit 651129 Only
24	65CPC-240-24E	O-RING P-18	1	Kit 651129 Only
	651129	O-RING KIT ITEMS 18-24	1	

# PARTS LIST 6 – REVERSIBLE HYDRAULIC PLATE COMPACTORS

## WHEELS: BR3570





**WHEELS: BR3570 – PARTS LIST 6**

Item #	Part #	Description	QTY	Remarks
1	60084	BOLT M12	1	
2	65CPC-240-02F	COLLAR	4	
3	65CPC-240-03F	WHEELS FRAME	1	
10			1	
11			1	
12			2	
4	65CPC-240-04F	WHEELS PLATE	2	
5			1	
6	14267	WASHER, M12	2	
7	10956	LOCKNUT, M12-1.75	1	
8	651079	RETAINING RING	2	
9	651085	WHEELS	2	
13	65CPC-240-13F	WASHER DIA 15mm	2	
	651105	WHEEL KIT ASSEMBLY	1	
	651042	RUBBER HOLDER (NOT SHOWN)	1	

# BARTELL

BARTELL GLOBAL



**Bartell Morrison Inc.**  
170 Traders Blvd E  
Mississauga, Ontario, Canada  
L4Z 1W7  
Tel: 1-647-953-4100  
Fax: 1-647-953-4101



**Bartell Morrison (USA) LLC**  
200 Commerce Drive, Unit A  
Freehold, New Jersey, USA  
07728  
Tel: 1-848-225-8100  
Fax: 1-848-225-8101



**Innovatech**  
4701 Allmond Ave  
Louisville, Kentucky, USA  
40209  
Tel: (425) 405-9100  
Fax: (425) 405-9101



**SPE International**  
Honeyholes Lane  
Dunholme, Lincoln, UK  
LN2 3SU  
Tel: +44 (0)1673 860709  
Fax: +44 (0)1673 861119



**BARTELL  
GLOBAL**

**5 BRANDS - 1 SOURCE FOR  
GREAT EQUIPMENT**

BARTELL morrison SPE Innovatech CONTEC

BARTELLGLOBAL.COM