



BR5100
REVERSIBLE HYDRAULIC
PLATE COMPACTOR
PARTS BOOK



www.BARTELLGLOBAL.com

Doc. # OI-B19025
Orig. Rel. - 10/2013
Curr Rev. - 06



www.BARTELLGLOBAL.com

Bartell Morrison Inc.
170 Traders Blvd E
Mississauga, Ontario, Canada
L4Z 1W7
Tel: (905) 364-4200
Toll Free: (866) 501-1683
Fax: (905) 364-4201

Bartell Morrison USA LLC
200 Commerce Drive, Unit A
Freehold, NJ, USA
07728
Tel: (732) 566-5400
Toll Free: (888) 999-1570
Fax: (732) 566-5444

SPE International Ltd
Honeyholes Lane
Dunholme, Lincoln, England
LN2 3SU
Tel: 01673 860709
Fax: 01673 861119

Innovatech
4701 Allmond Ave
Louisville, Kentucky, USA
40209
Tel: (425) 905-9100
Fax: (425) 405-9101

ORIGINAL LANGUAGE

© 2019 *Bartell Morrison Inc.*

No part of this work may be reproduced or transmitted in any form or by any means, electronic or mechanical, including photocopying and recording, or by any information storage or retrieval system without the prior written permission of Bartell Morrison Inc. unless such copying is permitted by federal copyright laws.

Address inquiries or reference permissions care of:
Bartell Morrison Inc., 170 Traders Blvd. E, Mississauga, Ontario, Canada, L4Z 1W7

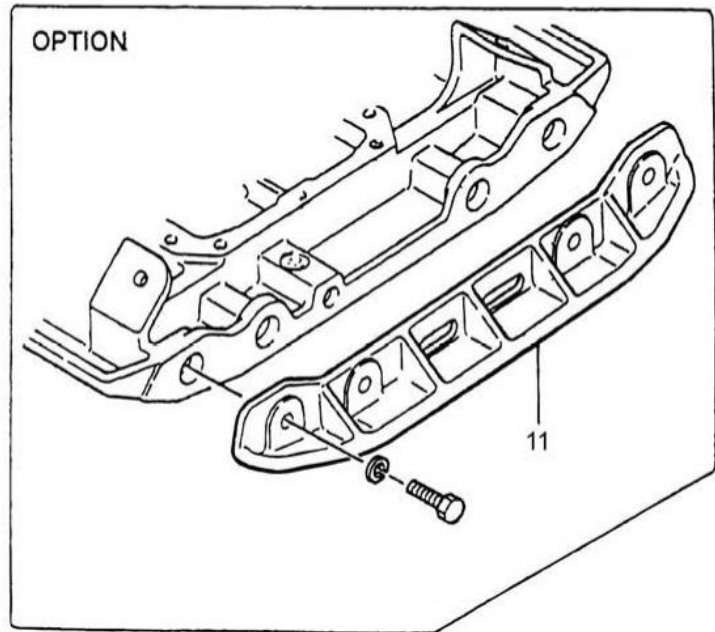
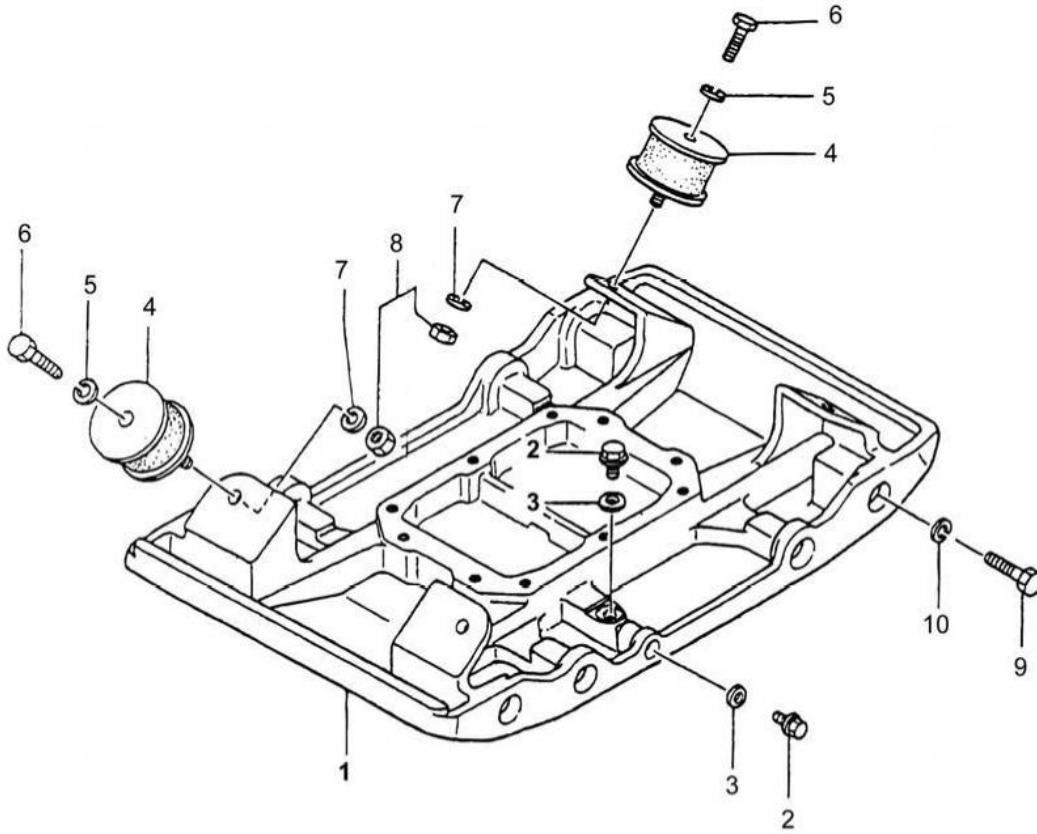
REV.	DATE	DESCRIPTION	APPROVED BY:
00	10/2013	Initial Release	AL
01	01/2014	Cover photo updated	AL
02	02/2014	Part number updated	AL
03	06/2014	Address updated	AL
04	07/2014	Cover page updated	AL
05	07/2017	Format updated, Address updated	AN
06	01/2018	Added parts list 6: Diesel electric start, Additional parts added to parts list 2 for diesel models Added sub-assembly kits to parts lists 3 and 5	AN
07	01/2020	Updated Address and Part numbers	AN

TABLE OF CONTENTS – PARTS BOOK

<u>PARTS LIST 1 – REVERSIBLE HYDRAULIC PLATE COMPACTORS</u>	3
VIBRATING PLATE	3
VIBRATING PLATE BR5100 - PARTS LIST 1	4
<u>PARTS LIST 2 – REVERSIBLE HYDRAULIC PLATE COMPACTORS</u>	5
BODY	5
MAIN BODY BR5100- PARTS LIST 2	6
<u>PARTS LIST 3 – REVERSIBLE HYDRAULIC PLATE COMPACTORS</u>	7
VIBRATOR	7
VIBRATOR BR5100 - PARTS LIST 3	8
<u>PARTS LIST 4 – REVERSIBLE HYDRAULIC PLATE COMPACTORS</u>	11
CONTROL	11
CONTROL BR5100 - PARTS LIST 4	12
<u>PARTS LIST 5-REVERSIBLE HYDRAULIC PLATE COMPACTORS</u>	13
HAND PUMP ASSEMBLY	13
HAND PUMP ASSEMBLY – BR5100 – PARTS LIST 5	14
<u>PARTS LIST 6-REVERSIBLE HYDRAULIC PLATE COMPACTORS</u>	15
ELECTRIC START (DIESEL MODEL ONLY)	15
ELECTRIC START (DIESEL MODEL ONLY): BR5100 – PARTS LIST 6	16
<u>DECLARATION OF CONFORMITY</u>	<u>ERROR! BOOKMARK NOT DEFINED.</u>

PARTS LIST 1 – REVERSIBLE HYDRAULIC PLATE COMPACTORS

VIBRATING PLATE

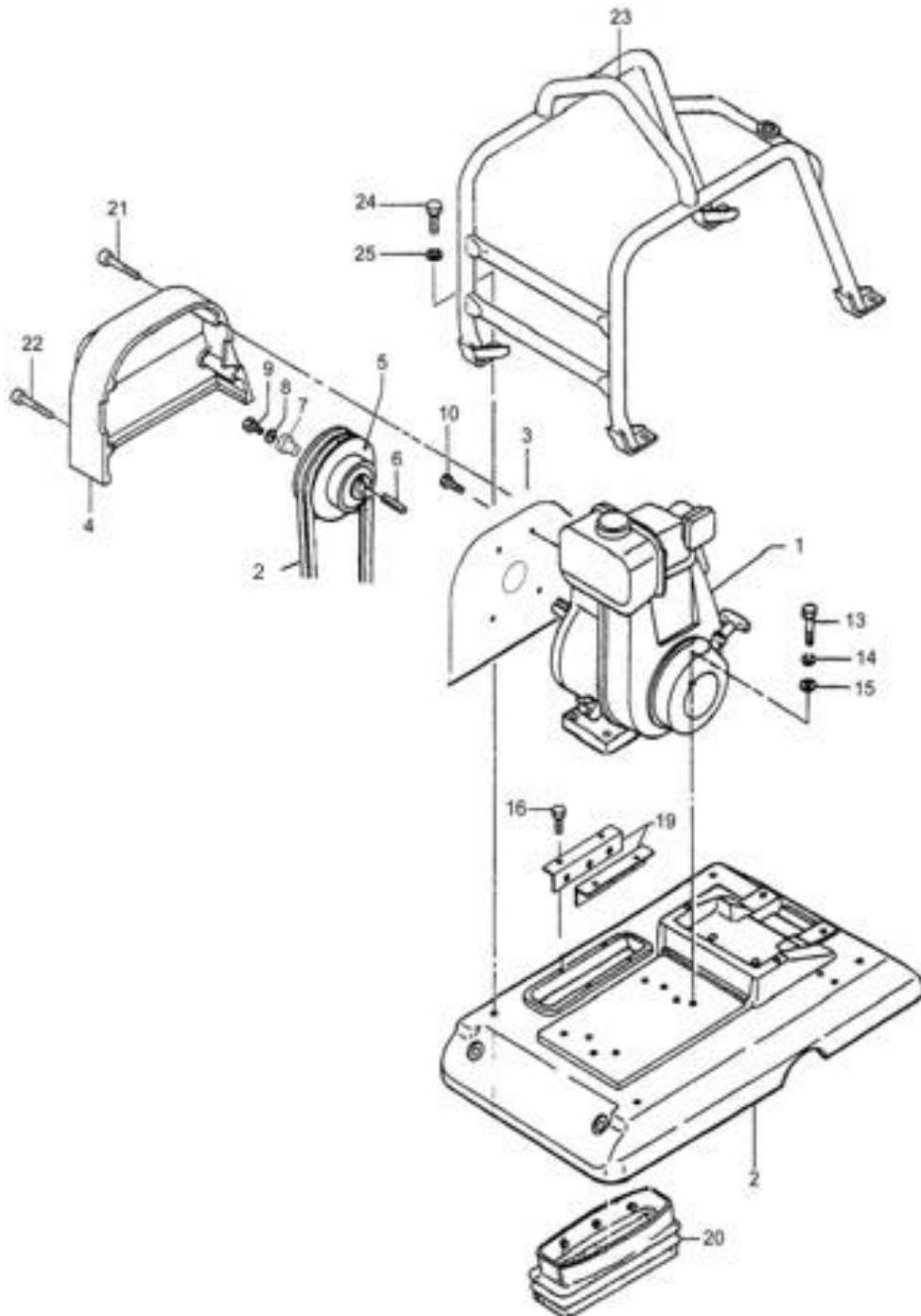


VIBRATING PLATE BR5100 - PARTS LIST 1

Item #	Part #	Description	QTY	Remarks
1	65CPC-405-1A	VIBRATING PLATE	1	
2	651060	OIL PLUG M16x1.5	2	
3	651061	OIL PLUG SEAL	2	
4	651034	RUBBER MOUNT	4	
5	31260	LOCKWASHER, M16	4	
6	65CPC-405-6A	BOLT M16x75T	4	
7	31260	LOCKWASHER, M16	4	
8	60138	NUT M16	4	
9	651072	HHCS, M16-2 x 25MM	8	
10	651073	FLAT WASHER, M16	8	
11	651112	EXTENSION KIT, 30"X3"	2	Option

PARTS LIST 2 – REVERSIBLE HYDRAULIC PLATE COMPACTORS

BODY

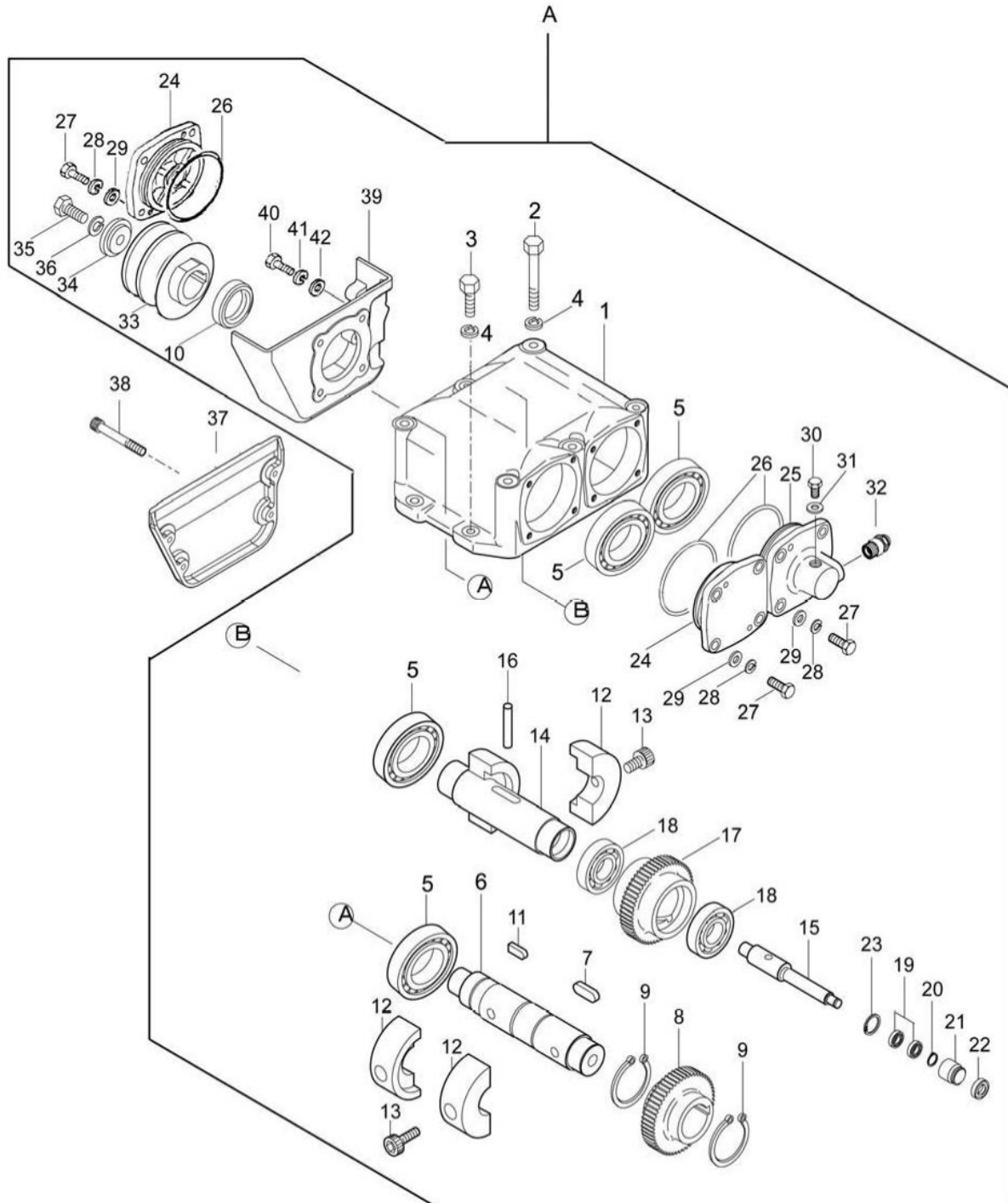


MAIN BODY BR5100– PARTS LIST 2

Item #	Part #	Description	QTY	Remarks
1	21429	ENGINE	1	
2	65CPC-405-2B	BASE	1	
3	65CPC-405-3B	BELT COVER (IN)	1	
4	65CPC-405-4B	BELT COVER (OUT)	1	
5	651005	CLUTCH ASSEMBLY	1	GAS MODEL ONLY
	651007	CLUTCH ASSEMBLY	1	DIESEL MODEL ONLY
6	11003	KEY 1/4 SQ X 2"	1	
7	30038	CLUTCH RETAINING WASHER	1	
8				
9	30014	FHSCS, 3/8"-24 x 1"	1	
10	10742	FHSCS ,5/16-24 x 1-1/2"	4	
13	14997	HHCS, M10-1.5x45MM	4	
14	11621	LOCKWASHER, M10	4	
15	41516	WASHER, M10	4	
16	10068	FHSCS, M6-1.00 x 16MM	4	
19	65CPC-405-18B	HOLDER, DUST COVER	2	
20	65CPC-405-20B	DUST COVER	1	
21	65CPC-405-21B	SOCKET BOLT M10x80T	2	
22	65CPC-405-22B	SOCKET BOLT M10x90T	2	
23	65CPC-405-23B	GUARD FRAME	1	
24	16084	HHCS, M14-2.0x40MM	4	
25	64021	SW M14	4	
26	14614	V-BELT, BX38	2	GAS MODEL ONLY
	14619	V-BELT, BX41	2	DIESEL MODEL ONLY
DIESEL MODELS ONLY (KEY SWITCH MOUNTING SCREWS)				
27	11625	LOCK NUT M6-1 (NOT SHOWN)	3	
28	14446	HHCS M6-1X12MM (NOT SHOWN)	3	

PARTS LIST 3 – REVERSIBLE HYDRAULIC PLATE COMPACTORS

VIBRATOR



VIBRATOR BR5100 – PARTS LIST 3

Item #	Part #	Description	QTY	Remarks
A	651024	VIBRATOR ASSEMBLY	1	
1	65CPC-405-1C	VIBRATOR CASE	1	
2	65CPC-405-2C	BOLT M14x160T	6	
3	65CPC-405-3C	BOLT M14x60T	4	
4	64021	SW M14	10	
5	651203	ROLLER BEARING NJ310 C3	4	
6	65CPC-405-6C	ROTARY SHAFT, DRIVE	1	Kit 651192 Only
7	65CPC-405-7C	KEY 16x10x40	1	Individual or in Kit 651192
8	65CPC-405-8C	GEAR (DRIVE)	1	Kit 651192 Only
9	65CPC-405-9C	STOP RING S-55	2	Individual or in Kit 651192
10	651177	OIL SEAL SB-50729	1	
11	65CPC-405-11C	KEY 12x8x30	1	
12	65CPC-405-12C	ROTATOR WEIGHT	4	Kit 651192 or 651191 Only
13	65CPC-350-13C	SOCKET HEAD BOLT 16x30	4	Individual or in Kits 651192 or 651191
14	65CPC-405-14C	ROTARY SHAFT, DRIVEN	1	Kit 651191 Only
15	65CPC-405-15C	PISTON ROD	1	Kit 651193 Only
16	65CPC-405-16C	KNOCK PIN 10x70	1	Individual or in Kit 651193
17	65CPC-405-17C	GEAR (DRIVEN)	1	Kit 651191 Only
18	35032	BEARING 6911	2	Individual or in Kit 651191
19	24242	BEARING 6000ZZ	2	Individual or in Kit 651193
20	65CPC-405-20C	STOP RING S-10	1	Individual or in Kit 651193
21	651151	PISTON	1	Kit 651193 Only
22	651074	EXCITER PISTON RING	1	Individual or in Kit 651193
23	651202	STOP RING R-26	1	Individual or in Kit 651193
24	65CPC-405-24C	BEARING COVER	2	
25	65CPC-405-25C	CYLINDER	1	
26	651174	O-RING G-105 x 3.1	3	
27	13348	HHCS, M10-1.5 x 25MM	12	
28	11621	LOCKWASHER, M10	12	
29	41516	WASHER, M10	1	
30	651081	BOLT M8x12T	1	
31	651080	PACKING 8	1	
32	65CPC-405-32C	HYDRUALIC FITTING	1	
33	651119	PULLEY	1	
		Parts list 3 continued next page		

Parts list 3 continued				
34	65CPC-405-34C	PULLEY RETAINER	1	
35	10955	HHCS, M12-1.75x40MM	1	
36	10735	LOCKWASHER, M12	1	
37	65CPC-405-37C	BELT COVER (LOWER-OUT)	1	
38	41535	SHCS, M8 X 1.25 X 35MM	4	
39	65CPC-405-39C	BELT COVER (LOWER-IN)	1	
40	10077	HHCS, M10-1.5 x 35MM	4	
41	11621	LOCKWASHER, M10	4	
42	41516	WASHER, M10	4	
	651191	DRIVEN SHAFT ASSEMBLY	1	
	651192	DRIVE SHAFT ASSEMBLY	1	
	651193	PISTON ASSEMBLY	1	



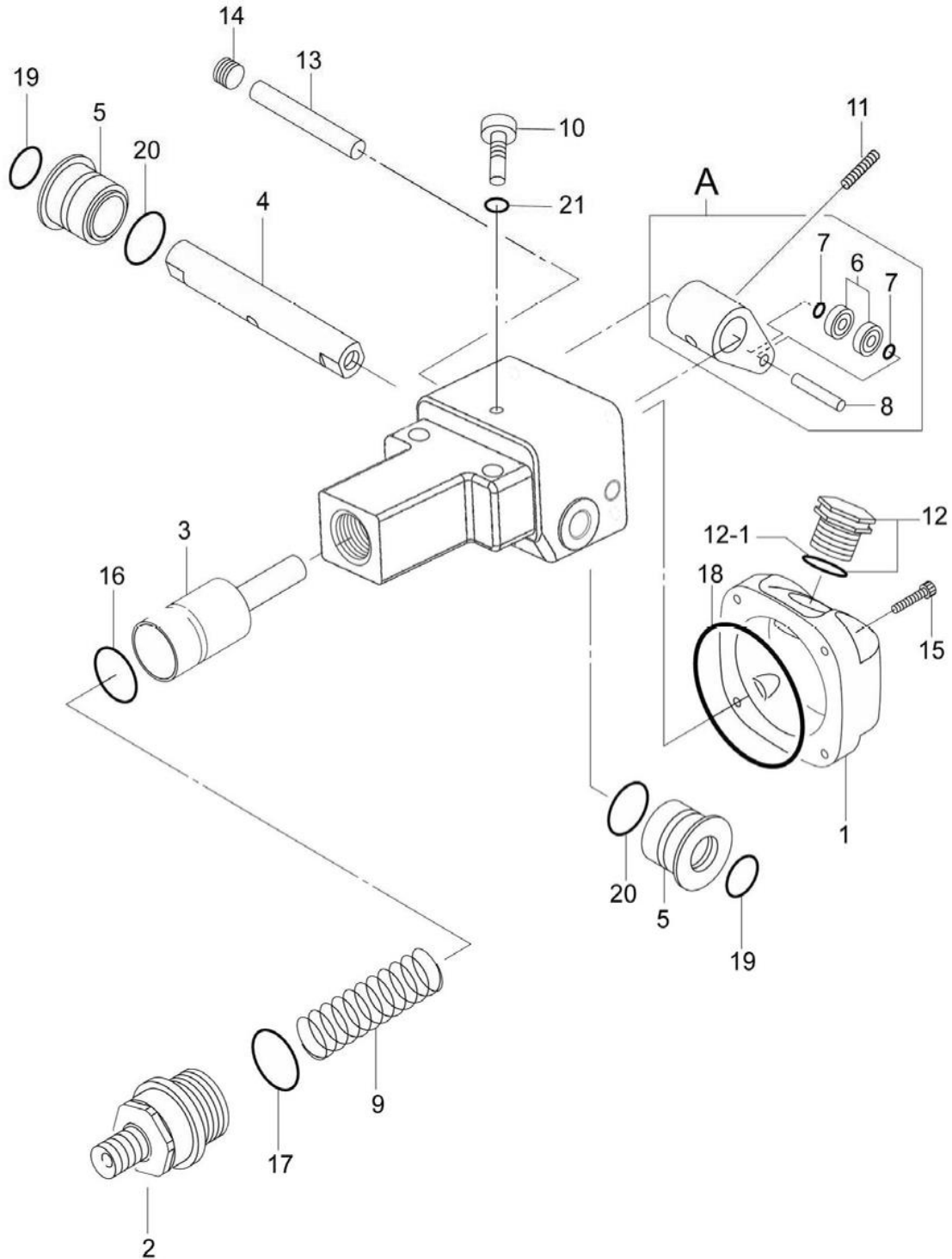
This Page Left Intentionally Blank

CONTROL BR5100 – PARTS LIST 4

Item #	Part #	Description	QTY	Remarks
1	32CPC-405-1D	HANDLE BRACKET (L)	1	
2	32CPC-405-2D	HANDLE BRACKET (R)	1	
3	10881	HHCS, M12x1.75 x 35mm	4	
4	10735	LOCKWASHER, M12	4	
5	10993	WASHER, M12	4	
6	651207	CONICAL SPRING WASHER M16	2	
7	65CPC-405-7D	BOLT M16x250T	1	
8	31211	WASHER, M16	2	
9	60138	LOCKNUT, M16	2	
10	651134	SPINDLE, M16	1	
11	651135	KNOB, M16	1	
12	651136	WING NUT M16	1	
13	651038	RUBBER BUSHING	1	
14	11622	HEX NUT, M10	1	
15	651082	HANDLE, LOCK	1	
16	651083	SPRING/HANDLE (1.4x18x44)	1	
17	651065	BALL GRIP 32D-M10	1	
18	65CPC-405-18D	HANDLE COVER	1	
19	11536	FHSCS, M6-1x10	8	
20	65CPC-405-20D	HANDLE	1	
21	651141	TRAVEL LEVER	1	
22	651041	HAND PUMP ASSEMBLY	1	
23	65CPC-405-23D	HANDLE BUSHING	1	
24	11619	HHCS, M8-1.25 x 25MM	2	
25	11621	SW M10	2	
26	651139	HANDLEBAR GRIP	1	
27	651140	HYDRUALIC HOSE	1	
28	11619	BOLT M8x25T	2	
29	10998	LOCKWASHER, M8	2	
30	651051	THROTTLE LEVER ASSEMBLY	1	
30-1	651056	THROTTLE CABLE ONLY	1	

PARTS LIST 5-REVERSIBLE HYDRAULIC PLATE COMPACTORS

HAND PUMP ASSEMBLY

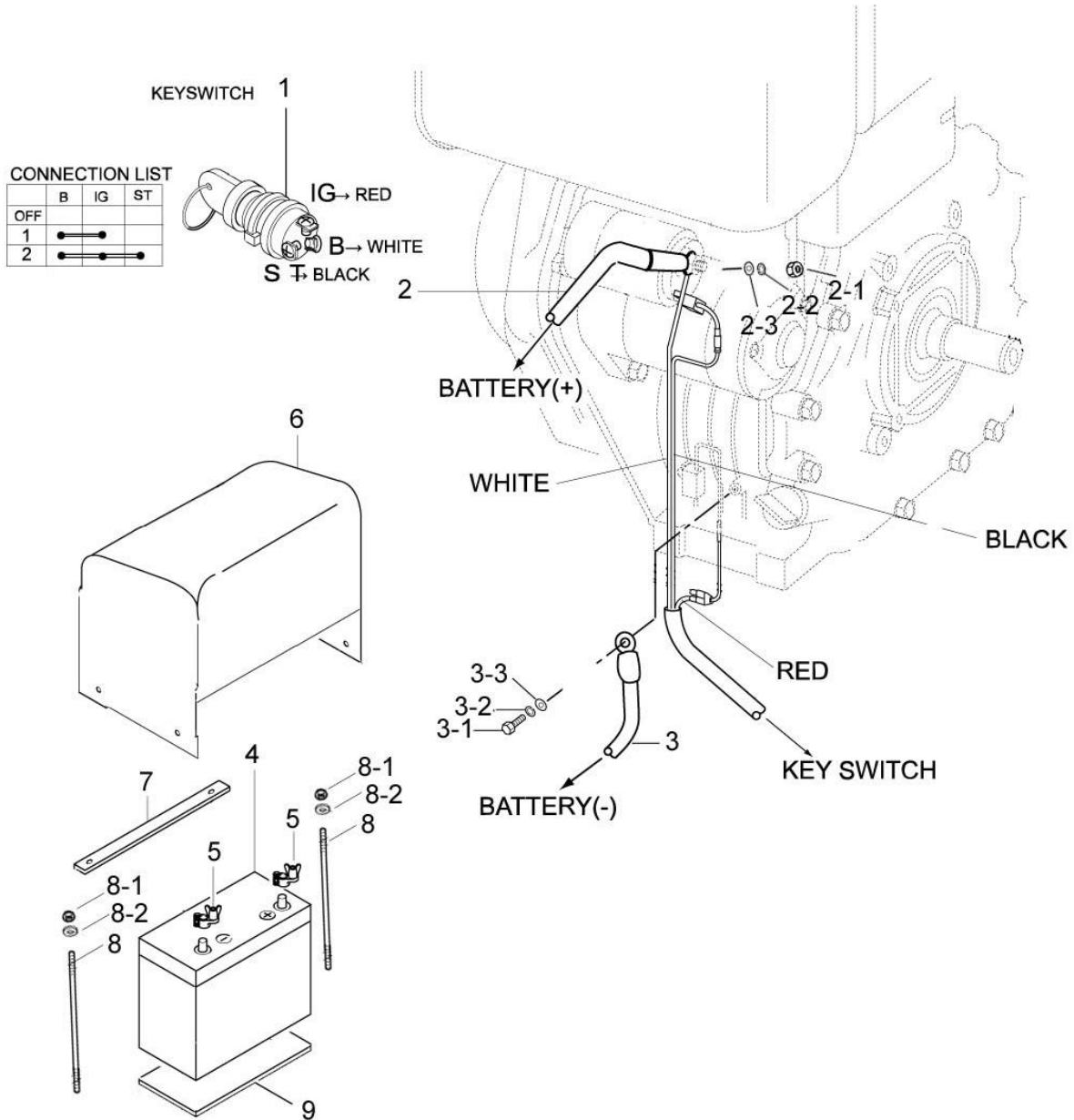


HAND PUMP ASSEMBLY – BR5100 – PARTS LIST 5

Item #	Part #	Description	QTY	Remarks
A	651200	CAN COMP (PUMP) ITEMS 6-8	1	
1	65CPC-350-01E	COVER (HAND PUMP)	1	
2	65CPC-350-02E	CYLINDER CP (PUMP)	1	
3	651181	PISTON CP (PUMP)	1	
4	65CPC-350-04E	CONTROL SHAFT (PUMP)	1	
5	65CPC-350-05E	BUSHING	2	
6	651206	BEARING 607ZZ	2	Kit 651200 Only
7	65CPC-350-07E	O-RING 12x2.4	2	Kit 651200 Only
8	651130	PIN 7x30	1	Kit 651200 Only
9	65CPC-350-09E	PISTON SPRING (PUMP)	1	
10	10407M	STOP PLUG M8x30T	1	
11	651132	PIN 6x25	1	
12	651205	BREATHER PLUG	1	
12-1		BREATHER PLUG SEAL	1	
13	65CPC-350-13E	STOPPER 12X80	1	
14	651201	PLUG	1	
15	10155	SOCKET HEAD BOLT	4	
16	65CPC-350-16E	OIL SEAL 22.4x4.8	1	Kit 651129 Only
17	65CPC-350-17E	PACKING 24	1	Kit 651129 Only
18	65CPC-350-18E	O-RING 70x20	1	Kit 651129 Only
19	65CPC-350-19E	O-RING 19x2.5	2	Kit 651129 Only
20	65CPC-350-20E	O-RING 24x2.5	2	Kit 651129 Only
21	65CPC-350-21E	PACKING 8	1	Kit 651129 Only
	651129	O-RING KIT ITEMS 16-21	1	

PARTS LIST 6-REVERSIBLE HYDRAULIC PLATE COMPACTORS

ELECTRIC START (DIESEL MODEL ONLY)



ELECTRIC START (DIESEL MODEL ONLY): BR5100 – PARTS LIST 6

Item #	Part #	Description	QTY	Remarks
1	65CPC-405-1F	START SWITCH AY	1	
2	65CPC-405-2F	BATTERY CORD (+)	1	
3	65CPC-405-3F	BATTERY CORD (-)	1	
4	651208	BATTERY	1	
5	65CPC-405-5F	BATTERY TERMINAL	2	
6	65CPC-405-6F	BATTERY COVER	1	
7	65CPC-405-7F	BATTERY HOLDER	1	
8	65CPC-405-8F	BATTERY BOLT	2	
8-1	11622	NUT M10	2	
8-2	41516	FLATWASHER M10	2	
9	65CPC-405-9F	RUBBER PACKING	1	

*DIESEL MODELS ONLY



This Page Left Intentionally Blank



This Page Left Intentionally Blank

BARTELL

BARTELL GLOBAL



Bartell Morrison Inc.
170 Traders Blvd E
Mississauga, Ontario, Canada
L4Z 1W7
Tel: 1-647-953-4100
Fax: 1-647-953-4101



Bartell Morrison (USA) LLC
200 Commerce Drive, Unit A
Freehold, New Jersey, USA
07728
Tel: 1-848-225-8100
Fax: 1-848-225-8101



Innovatech
4701 Allmond Ave
Louisville, Kentucky, USA
40209
Tel: (425) 405-9100
Fax: (425) 405-9101



SPE International
Honeyholes Lane
Dunholme, Lincoln, UK
LN2 3SU
Tel: +44 (0)1673 860709
Fax: +44 (0)1673 861119



**BARTELL
GLOBAL**

**5 BRANDS - 1 SOURCE FOR
GREAT EQUIPMENT**
BARTELL morrison SPE Innovatech CONTEC

BARTELLGLOBAL.COM