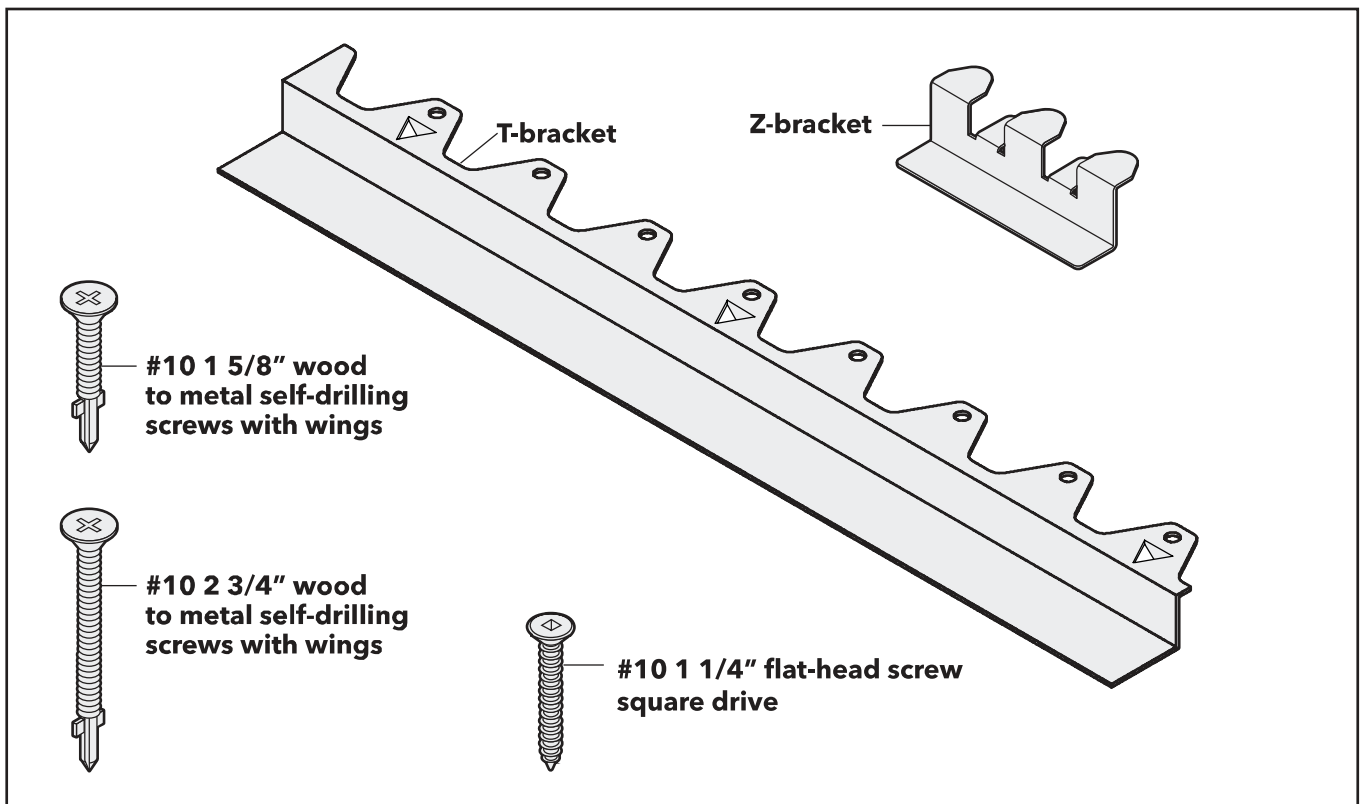


# RAPID

# RECESS

Lowering Plywood floors for Curbless Showers

## Model: RRT2CS



### Installation Kit Includes

- T bracket—11 7/8" long main bracket fastened to the top of floor joist (x16)
- Z bracket—5" long side bracket used for wall to recess and main floor to recess transitions (x20)
- #10 1 5/8" wood to metal self-drilling phillips screws with wings (x80)
- #10 2 3/4" wood to metal self-drilling screws with wings (x40)
- #10 1 1/4" flat-head screw square drive (x60)

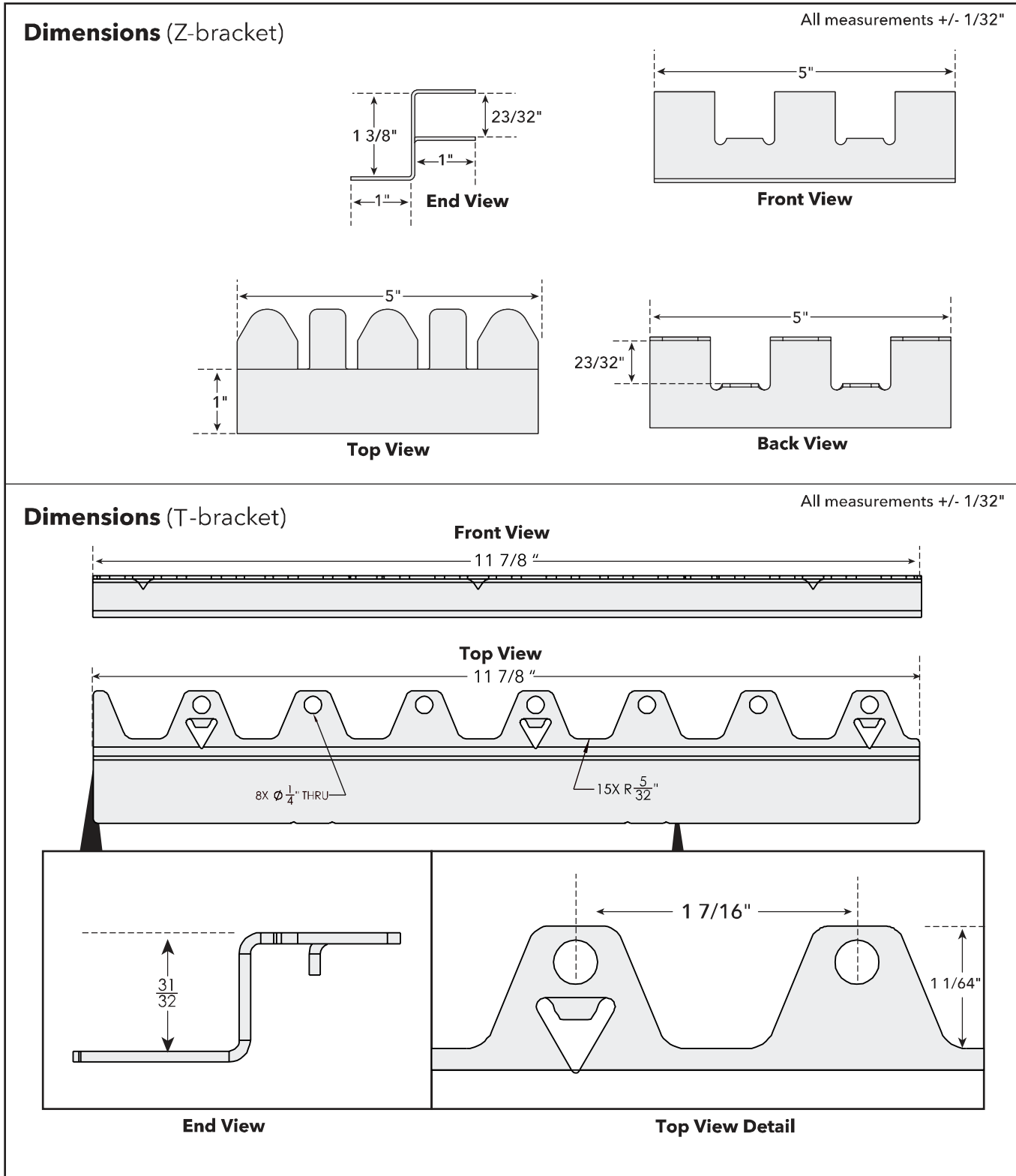
### Testing

All RR kits and accessories have undergone thorough testing and passed Robinson Test C627 for floor assemblies



# RAPID RECESS

Lowering Plywood floors for Curbless Showers



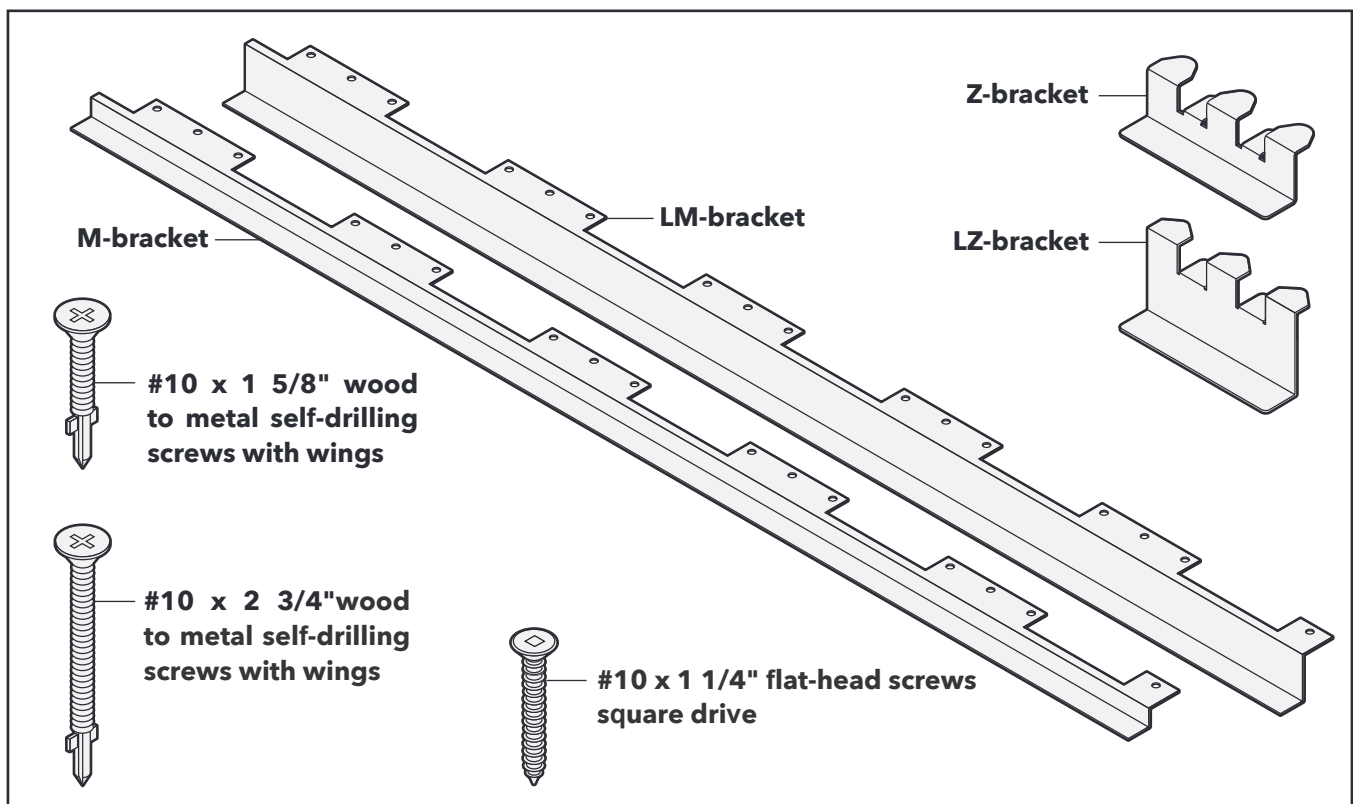
# RAPID

# RECESS

Lowering Plywood floors for Curbless Showers

## Model: RRT2CSLDK

- Metal brackets for lowering plywood floors for curbless shower pan
- made of 16 gauge galvanized steel
- up to 15 square foot recess (standard tub replacement)



### Installation Kit Includes

- M bracket—47 3/8" long main bracket fastened to the top of floor joists (x3)
- Z bracket—5" long side bracket used for wall to recess and main floor to recess transitions (x18)
- ML bracket—47 3/8" long main bracket fastened to the top of last floor joist (x1)
- ZL bracket—5" long side bracket used for wall to recess (x9)
- #10 2 3/4" wood to metal self-drilling screws with wings (x40)
- #10 1 5/8" wood to metal self-drilling screws with wings (80 pieces)
- #10 x 1 1/4" Flat-head screws square drive (x60)
- Installation manual

### Testing

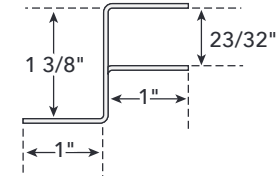
All RR kits and accessories have undergone thorough testing and passed Robinson Test C627 for floor assemblies

# RAPID

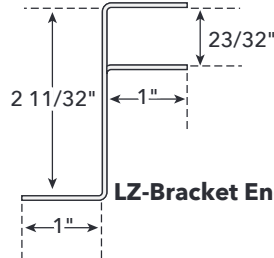
# RECESS

## Dimensions (Z-bracket and LZ-bracket)

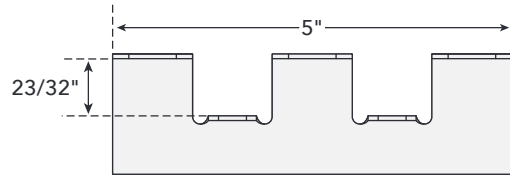
All measurements +/- 1/32"



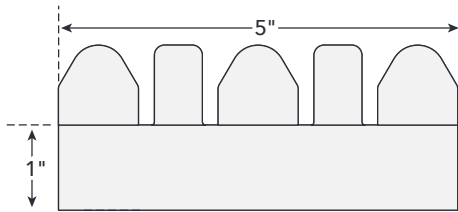
Z-Bracket End View



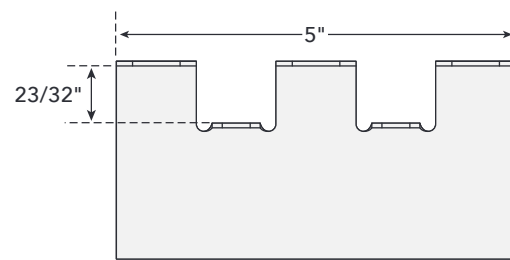
LZ-Bracket End View



Z-Bracket Back View



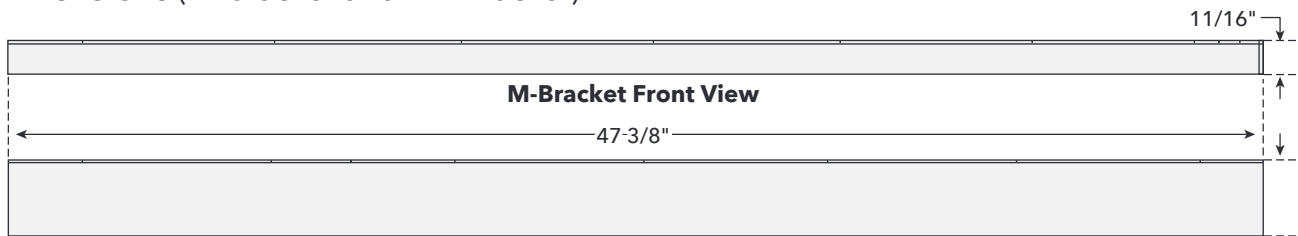
Top View



LZ-Bracket Back View

## Dimensions (M-bracket and LM-Bracket)

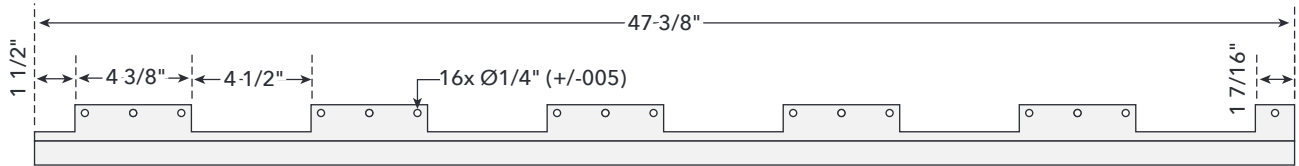
All measurements +/- 1/32"



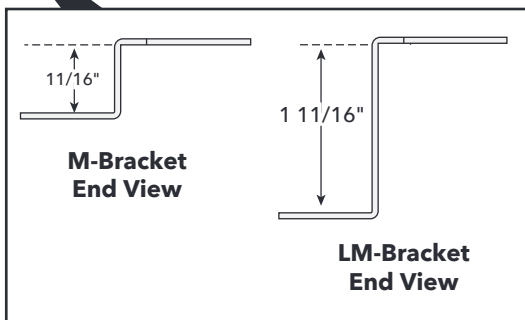
M-Bracket Front View



LM-Bracket Front View

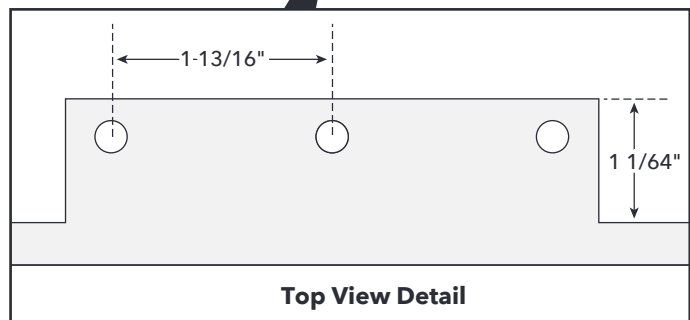


Top View



M-Bracket End View

LM-Bracket End View



Top View Detail