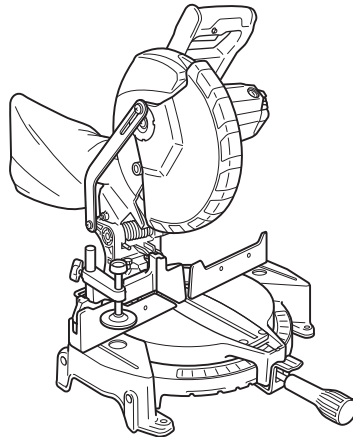


Model		Compound Miter Saw
Modèle	C 10FCG • C 10FCG(S)	Scie à onglets combinée
Modelo		Sierra ingletadora



SAFETY INSTRUCTIONS AND INSTRUCTION MANUAL

⚠ WARNING

IMPROPER OR UNSAFE use of this power tool can result in death or serious bodily injury! This manual contains important information about product safety. Please read and understand this manual **BEFORE** operating the power tool. Please keep this manual available for other users and owners before they use the power tool. This manual should be stored in safe place.

INSTRUCTIONS DE SECURITE ET MODE D'EMPLOI

⚠ AVERTISSEMENT

Une utilisation **INCORRECTE OU DANGEREUSE** de cet outil motorisé peut entraîner la mort ou de sérieuses blessures corporelles !
Ce mode d'emploi contient d'importantes informations à propos de la sécurité de ce produit. Prière de lire et de comprendre ce mode d'emploi **AVANT** d'utiliser l'outil motorisé. Garder ce mode d'emploi à la disponibilité des autres utilisateurs et propriétaires avant qu'ils utilisent l'outil motorisé. Ce mode d'emploi doit être conservé dans un endroit sûr.

INSTRUCCIONES DE SEGURIDAD Y MANUAL DE INSTRUCCIONES

⚠ ADVERTENCIA

¡La utilización **INAPROPIADA O PELIGROSA** de esta herramienta eléctrica puede resultar en lesiones de gravedad o la muerte!
Este manual contiene información importante sobre la seguridad del producto. Lea y comprenda este manual **ANTES** de utilizar la herramienta eléctrica. Guarde este manual para que puedan leerlo otras personas antes de utilizar la herramienta eléctrica. Este manual debe ser guardado en un lugar seguro.



DOUBLE INSULATION
DOUBLE ISOLATION
AISLAMIENTO DOBLE

IMPORTANT SAFETY INFORMATION

Read and understand all of the safety precautions, warnings and operating instructions in the Instruction Manual before operating or maintaining this power tool.

Most accidents that result from power tool operation and maintenance are caused by the failure to observe basic safety rules or precautions. An accident can often be avoided by recognizing a potentially hazardous situation before it occurs, and by observing appropriate safety procedures.

Basic safety precautions are outlined in the "SAFETY" section of this Instruction Manual and in the sections which contain the operation and maintenance instructions.

Hazards that must be avoided to prevent bodily injury or machine damage are identified by WARNINGS on the power tool and in this Instruction Manual.

Never use this power tool in a manner that has not been specifically recommended by metabo HPT.






MEANINGS OF SIGNAL WORDS

WARNING indicates a potentially hazardous situations which, if ignored, could result in death or serious injury.

CAUTION indicates a potentially hazardous situations which, if not avoided, may result in minor or moderate injury, or may cause machine damage.

NOTE emphasizes essential information.

MEANINGS OF SYMBOLS

Symbols			
⚠ WARNING			
The following show symbols used for the machine. Be sure that you understand their meaning before use.			
	To reduce the risk of injury, user must read instruction manual.	Hz	hertz
		A	amperes
	Always wear eye protection.	no	no load speed
	Always wear hearing protection.		Class II Construction
		---/min	revolutions per minute
V	volts		alternating current

SAFETY

GENERAL POWER TOOL SAFETY WARNINGS

⚠ WARNING:

Read all safety warnings, instructions, illustrations and specifications provided with this power tool.

Failure to follow all instructions listed below may result in electric shock, fire and/or serious injury.

Save all warnings and instructions for future reference.

The term "power tool" in the warnings refers to your mains-operated (corded) power tool or battery-operated (cordless) power tool.

- 1) **Work area safety**
 - a) **Keep work area clean and well lit.**
Cluttered or dark areas invite accidents.
 - b) **Do not operate power tools in explosive atmospheres, such as in the presence of flammable liquids, gases or dust.**
Power tools create sparks which may ignite the dust or fumes.
 - c) **Keep children and bystanders away while operating a power tool.**
Distractions can cause you to lose control.
- 2) **Electrical safety**
 - a) **Power tool plugs must match the outlet. Never modify the plug in any way. Do not use any adapter plugs with earthed (grounded) power tools.**
Unmodified plugs and matching outlets will reduce risk of electric shock.
 - b) **Avoid body contact with earthed or grounded surfaces, such as pipes, radiators, ranges and refrigerators.**
There is an increased risk of electric shock if your body is earthed or grounded.
 - c) **Do not expose power tools to rain or wet conditions.**
Water entering a power tool will increase the risk of electric shock.
 - d) **Do not abuse the cord. Never use the cord for carrying, pulling or unplugging the power tool.**
Keep cord away from heat, oil, sharp edges or moving parts.
Damaged or entangled cords increase the risk of electric shock.
 - e) **When operating a power tool outdoors, use an extension cord suitable for outdoor use.**
Use of a cord suitable for outdoor use reduces the risk of electric shock.
- 3) **Personal safety**
 - a) **Stay alert, watch what you are doing and use common sense when operating a power tool.**
Do not use a power tool while you are tired or under the influence of drugs, alcohol or medication.
A moment of inattention while operating power tools may result in serious personal injury.
 - b) **Use personal protective equipment. Always wear eye protection.**
Protective equipment such as a dust mask, non-skid safety shoes, hard hat or hearing protection used for appropriate conditions will reduce personal injuries.
 - c) **Prevent unintentional starting. Ensure the switch is in the off-position before connecting to power source and/or battery pack, picking up or carrying the tool.**
Carrying power tools with your finger on the switch or energising power tools that have the switch on invites accidents.
 - d) **Remove any adjusting key or wrench before turning the power tool on.**
A wrench or a key left attached to a rotating part of the power tool may result in personal injury.
 - e) **Do not overreach. Keep proper footing and balance at all times.**
This enables better control of the power tool in unexpected situations.
- f) **If operating a power tool in a damp location is unavoidable, use a residual current device (RCD) protected supply.**
Use of an RCD reduces the risk of electric shock.

- f) **Dress properly. Do not wear loose clothing or jewellery. Keep your hair and clothing away from moving parts.**
Loose clothes, jewellery or long hair can be caught in moving parts.
- g) **If devices are provided for the connection of dust extraction and collection facilities, ensure these are connected and properly used.**
Use of dust collection can reduce dust-related hazards.
- h) **Do not let familiarity gained from frequent use of tools allow you to become complacent and ignore tool safety principles. A careless action can cause severe injury within a fraction of a second.**
- 4) **Power tool use and care**
- a) **Do not force the power tool. Use the correct power tool for your application.**
The correct power tool will do the job better and safer at the rate for which it was designed.
- b) **Do not use the power tool if the switch does not turn it on and off.**
Any power tool that cannot be controlled with the switch is dangerous and must be repaired.
- c) **Disconnect the plug from the power source and/or remove the battery pack, if detachable, from the power tool before making any adjustments, changing accessories, or storing power tools.**
Such preventive safety measures reduce the risk of starting the power tool accidentally.
- d) **Store idle power tools out of the reach of children and do not allow persons unfamiliar with the power tool or these instructions to operate the power tool.**
Power tools are dangerous in the hands of untrained users.
- e) **Maintain power tools and accessories. Check for misalignment or binding of moving parts, breakage of parts and any other condition that may affect the power tool's operation. If damaged, have the power tool repaired before use.**
Many accidents are caused by poorly maintained power tools.
- f) **Keep cutting tools sharp and clean.**
Properly maintained cutting tools with sharp cutting edges are less likely to bind and are easier to control.
- g) **Use the power tool, accessories and tool bits etc. in accordance with these instructions, taking into account the working conditions and the work to be performed.**
Use of the power tool for operations different from those intended could result in a hazardous situation.
- h) **Keep handles and grasping surfaces dry, clean and free from oil and grease.**
Slippery handles and grasping surfaces do not allow for safe handling and control of the tool in unexpected situations.
- 5) **Service**
- a) **Have your power tool serviced by a qualified repair person using only identical replacement parts.**
This will ensure that the safety of the power tool is maintained.

PRECAUTION

Keep children and infirm persons away.

When not in use, tools should be stored out of reach of children and infirm persons.

SAFETY INSTRUCTIONS FOR MITER SAWS

- a) **Miter saws are intended to cut wood or wood-like products, they cannot be used with abrasive cut-off wheels for cutting ferrous material such as bars, rods, studs, etc.**
Abrasive dust causes moving parts such as the lower guard to jam. Sparks from abrasive cutting will burn the lower guard, the kerf insert and other plastic parts.
- b) **Use clamps to support the workpiece whenever possible. If supporting the workpiece by hand, you must always keep your hand at least 100 mm from either side of the saw blade. Do not use this saw to cut pieces that are too small to be securely clamped or held by hand.**
If your hand is placed too close to the saw blade, there is an increased risk of injury from blade contact.
- c) **The workpiece must be stationary and clamped or held against both the fence and the table. Do not feed the workpiece into the blade or cut "freehand" in any way.**
Unrestrained or moving workpieces could be thrown at high speeds, causing injury.
- d) **Push the saw through the workpiece. Do not pull the saw through the workpiece. To make a cut, raise the saw head and pull it out over the workpiece without cutting, start the motor, press the saw head down and push the saw through the workpiece.**
Cutting on the pull stroke is likely to cause the saw blade to climb on top of the workpiece and violently throw the blade assembly towards the operator.
- e) **Never cross your hand over the intended line of cutting either in front or behind the saw blade.**
Supporting the workpiece "cross handed" i.e. holding the workpiece to the right of the saw blade with your left hand or vice versa is very dangerous.
- f) **Do not reach behind the fence with either hand closer than 100 mm from either side of the saw blade, to remove wood scraps, or for any other reason while the blade is spinning.**
The proximity of the spinning saw blade to your hand may not be obvious and you may be seriously injured.
- g) **Inspect your workpiece before cutting. If the workpiece is bowed or warped, clamp it with the outside bowed face toward the fence. Always make certain that there is no gap between the workpiece, fence and table along the line of the cut.**
Bent or warped workpieces can twist or shift and may cause binding on tile spinning saw blade while cutting. There should be no nails or foreign objects in the workpiece.
- h) **Do not use the saw until the table is clear of all tools, wood scraps, etc., except for the workpiece.**
Small debris or loose pieces of wood or other objects that contact the revolving blade can be thrown with high speed.
- i) **Cut only one workpiece at a time.**
Stacked multiple workpieces cannot be adequately clamped or braced and may bind on the blade or shift during cutting.
- j) **Ensure the miter saw is mounted or placed on a level, firm work surface before use.**
A level and firm work surface reduces the risk of the miter saw becoming unstable.
- k) **Plan your work. Every time you change the bevel or miter angle setting, make sure the adjustable fence is set correctly to support the workpiece and will not interfere with the blade or the guarding system.**
Without turning the tool "ON" and with no workpiece on the table, move the saw blade through a complete simulated cut to assure there will be no interference or danger of cutting the fence.
- l) **Provide adequate support such as table extensions, saw horses, etc. for a workpiece that is wider or longer than the table top.**
Workpieces longer or wider than the miter saw table can tip if not securely supported. If the cut-off piece or workpiece tips, it can lift the lower guard or be thrown by the spinning blade.
- m) **Do not use another person as a substitute for a table extension or as additional support.**
Unstable support for the workpiece can cause the blade to bind or the workpiece to shift during the cutting operation pulling you and the helper into the spinning blade.
- n) **The cut-off piece must not be jammed or pressed by any means against the spinning saw blade.**
If confined, i.e. using length stops, the cut-off piece could get wedged against the blade and thrown violently.
- o) **Always use a clamp or a fixture designed to properly support round material such as rods or tubing.**
Rods have a tendency to roll while being cut, causing the blade to "bite" and pull the work with your hand into the blade.
- p) **Let the blade reach full speed before contacting the workpiece.**
This will reduce the risk of the workpiece being thrown.
- q) **If the workpiece or blade becomes jammed, turn the miter saw off. Wait for all moving parts to stop and disconnect the plug from the power source and/or remove the battery pack. Then work to free the jammed material.**
Continued sawing with a jammed workpiece could cause loss of control or damage to the miter saw.
- r) **After finishing the cut, release the switch, hold the saw head down and wait for the blade to stop before removing the cut-off piece.**
Reaching with your hand near the coasting blade is dangerous.
- s) **Hold the handle firmly when making an incomplete cut or when releasing the switch before the saw head is completely in the down position.**
The braking action of the saw may cause the saw head to be suddenly pulled downward, causing a risk of injury.

SPECIFIC SAFETY RULES FOR USE OF THIS POWER TOOL**⚠ WARNING:**

The following specific operating instructions must be observed when using this POWER TOOL in order to avoid injury:

DO's**ALWAYS OBSERVE THE FOLLOWING RULES TO ASSURE SAFE USE OF THIS TOOL:**

1. Review this Manual and familiarize yourself with the safety rules and operating instructions for this POWER TOOL before attempting to use it.
2. Remove all packing materials attached or connected to the tool before attempting to operate it.

3. Always confirm that the POWER TOOL is clean before using it.
4. Always wear snug-fitting clothing, non-skid footwear (preferably with steel toes) and eye protection when operating the POWER TOOL.
5. Always handle the POWER TOOL carefully. If the POWER TOOL falls or strikes against a hard object, it might become deformed or cracked or sustain other damage.
6. Always cease operating the saw at once, if you notice any abnormality whatsoever.
7. Always confirm that all components are mounted properly and securely before using the tool.
8. When replacing the saw blade, always confirm that the rpm rating of the new blade is correct for use on this tool.
9. Always shut off the power and wait for the saw blade to completely stop rotating before doing any maintenance or adjustments.
10. Always clamp or otherwise secure the workpiece to the fence; otherwise the workpiece might be thrust from the table and cause bodily harm.
11. During miter or bevel cutting, always wait for the rotation of the blade to stop completely before lifting the saw blade.
12. Always make a trial run first before attempting any new use of the saw.
13. Always handle the saw blade with care when dismantling and mounting it.
14. Always confirm that the workpiece is free of nails or other foreign objects before beginning a cut.
15. Always keep your hands out of the path of the saw blade.
16. Always confirm that the lower guard is in the proper place before using the saw.
17. Inspect the tool power cords periodically.
18. Always confirm that the proper lengths and types of extension cords are being utilized, if necessary, before starting the tool.
19. Always confirm that the motor air vents are fully open before using the tool.
20. Always wait until the motor has reached full speed before starting a cut.
21. Always keep the handles dry, clean and free of oil and grease. Hold the tool firmly when in use.
22. Always use outboard stands to provide support for long workpieces that overhang the table of the compound miter saw.
23. Always operate the tool after ensuring the workpiece is fixed properly with a vise assembly.
24. The operating instructions provided with the tool shall direct the user to secure the tool to supporting structure if, during normal operation, there is a tendency for the tool to tip over, slide, or walk on the supporting surface.
25. Ensure before each cut that the machine is stable.
26. If the saw blade should become jammed, switch the machine off and hold the workpiece until the saw blade comes to a complete stop. To prevent kickback, the workpiece may not be moved until after the machine has come to a complete stop.
Correct the cause for the jamming of the saw blade before restarting the machine.
27. Use only saw blades that are marked with a maximum permitted speed equal or higher than the no-load speed marked on the POWER TOOL.
28. Use only a saw blade diameter in accordance with the markings on the POWER TOOL.
29. Replace the table insert when worn.

DON'Ts

NEVER VIOLATE THE FOLLOWING RULES TO ASSURE SAFE USE OF THIS TOOL:

1. Never operate the POWER TOOL unless you fully understand the operating instructions contained in this Manual.

2. Never leave the POWER TOOL unattended without first unplugging the power cord.
3. Never operate the POWER TOOL when you are tired, after you have taken any medications, or have consumed any alcoholic beverages.
4. Never use the POWER TOOL for applications not specified in the instruction manual.
5. Never operate the tool while wearing loose clothing, a necktie or jewelry, or while your hair is uncovered, to protect against getting caught in the moving machinery.
6. Never reach around the saw blade.
7. Never touch any moving parts, including the blade, while the saw is in use.
8. Never remove any safety devices or blade guards; use of the tool without them would be hazardous.
9. Never lock the lower guard; always confirm that it slides smoothly before using the tool.
10. Never damage the power cord of the tool.
11. Never attempt to move a plugged-in POWER TOOL while your finger is on the starting switch.
12. Never use the POWER TOOL if the starting switch does not turn on and off properly.
13. Never use the POWER TOOL if the plastic housing or the handle is cracked or deformed.
14. Never use the POWER TOOL near flammable liquids or gases because sparking can cause an explosion.
15. Never clean plastic components with solvents because the plastic may dissolve.
16. Never operate the saw unless all the lower guards are in place.
17. Never raise the saw blade from the workpiece until it has first come to a complete stop.
18. Never place your limbs inside of the line next to warning sign "⚠" while the tool is being operated. This may cause hazardous conditions.
19. Never use abrasive type blades on this saw.
20. Never expose to rain or use in damp locations.
21. Never cut ferrous metals or masonry.
22. Do not stand in a line with the saw blade in front of the machine. Always stand aside of the saw blade. This protects your body against possible kickback. Keep hands, fingers and arms away from the rotating saw blade.
23. Do not cross your arms when operating the tool arm.

⚠ WARNING:
FOR YOUR OWN SAFETY READ THIS INSTRUCTION MANUAL BEFORE OPERATING THE COMPOUND MITER SAW

1. Always wear eye protection when using the compound miter saw.
2. Always keep hands out of the path of the saw blade.
3. Never operate the saw without the guards in place.
4. Never perform any freehand operation with the compound miter saw.
5. Never reach around the saw blade.
6. Always turn off tool and wait for saw blade to stop before moving workpiece or changing settings.
7. Always disconnect power before changing blade or servicing.
8. Saw blade diameter is 10 in. (255mm).
9. No load speed is 5000/min.

REPLACEMENT PARTS

When servicing use only identical replacement parts. Repairs should be conducted only by a metabo HPT authorized service center.

USE PROPER EXTENSION CORD

Make sure your extension cord is in good condition. When using an extension cord, be sure to use one heavy enough to carry the current your product will draw. An undersized cord will cause a drop in line voltage resulting in loss of power and overheating. Table shows the correct size to use depending on cord length and nameplate ampere rating. If in doubt, use the next heavier gage. The smaller the gage number, the heavier the cord.

MINIMUM GAGE FOR CORD SETS

		Total Length of Cord in Feet (Meter)			
		0 – 25 (0 – 7.6)	26 – 50 (7.9 – 15.2)	51 – 100 (15.5 – 30.5)	101 – 150 (30.8 – 45.7)
Ampere Rating		AWG			
More Than	Not More Than				
	0 – 6	18	16	16	14
	6 – 10	18	16	14	12
	10 – 12	16	16	14	12
	12 – 16	14	12	Not Recommended	

⚠ WARNING:

Avoid electrical shock hazard. Never use this tool with a damaged or frayed electrical cord or extension cord. Inspect all electrical cords regularly. Never use in or near water or in any environment where electric shock is possible.

DOUBLE INSULATION FOR SAFER OPERATION

To ensure safer operation of this power tool, metabo HPT has adopted a double insulation design. "Double insulation" means that two physically separated insulation systems have been used to insulate the electrically conductive materials connected to the power supply from the outer frame handled by the operator. Therefore, either the symbol "⏚" or the words and "Double insulation" appear on the power tool or on the nameplate. Although this system has no external grounding, you must still follow the normal electrical safety precautions given in this Instruction Manual, including not using the power tool in wet environments.

To keep the double insulation system effective, follow these precautions:

- * Only metabo HPT AUTHORIZED SERVICE CENTER should disassemble or assemble this power tool, and only genuine metabo HPT replacement parts should be installed.
- * Clean the exterior of the power tool only with a soft cloth moistened with soapy water and dry thoroughly.
- * Never use solvents, gasoline or thinners on plastic components; otherwise the plastic may dissolve.

**SAVE THESE INSTRUCTIONS
AND
MAKE THEM AVAILABLE TO OTHER USERS
AND
OWNERS OF THIS TOOL!**

OPERATION AND MAINTENANCE**NOTE:**

The information contained in this Instruction Manual is designed to assist you in the safe operation and maintenance of the power tool. Some illustrations in this Instruction Manual may show details or attachments that differ from those on your own power tool.

NAME OF PARTS

MODEL C10FCG • C10FCG(S)

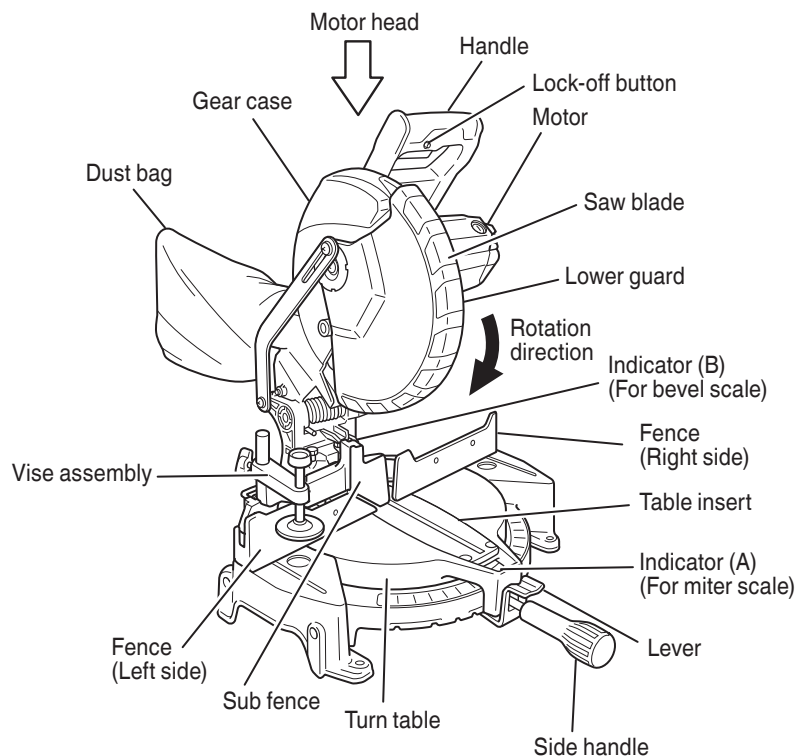


Fig. 1

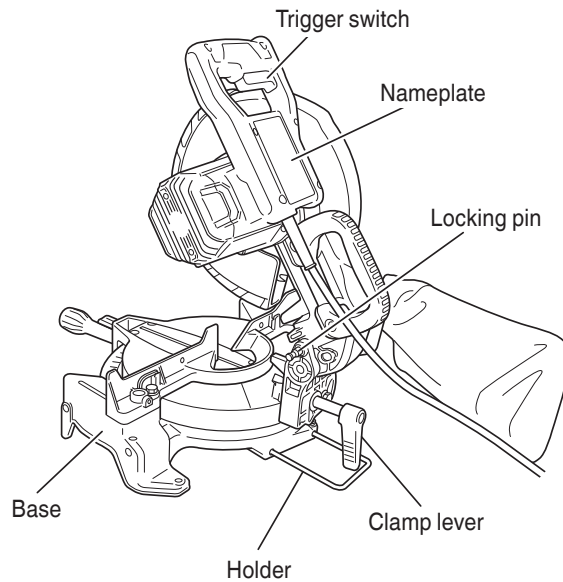


Fig. 2

SPECIFICATIONS

Item	Model	C10FCG • C10FCG(S)				
Motor	Type	Series commutator motor				
	Power source	Single-phase AC 60Hz				
	Voltage (Volts)	120				
	Full-load current (Amp)	15				
Applicable saw blade	Outside Dia. 10 in. (255mm) Hole Dia. 5/8 in. (15.9mm) Maximum kerf 7/64" (2.8mm)					
No load speed	5000/min					
Max. sawing dimension	Miter	0	0	Max. Height	2-5/16 in. (59mm)	
				Max. Width	5-21/32 in. (144mm)	
				or		
				Max. Height	3-1/2 in. (89mm)	
				Max. Width	3-31/32 in. (101mm)	
			0	Left 45°	Max. Height	2-5/16 in. (59mm)
					Max. Width	4 in. (102mm)
	Bevel	Left 45°	0	Max. Height	1-5/8 in. (41mm)	
			Max. Width	5-21/32 in. (144mm)		
Compound	Left 45°	Left 45°	Max. Height	1-5/8 in. (41mm)		
			Max. Width	4 in. (102mm)		
Miter sawing range	Left 0° – 52° Right 0° – 52°					
Bevel sawing range	Left 0° – 45°					
Compound sawing range	Left (Bevel) 0° – 45°, Left and Right (Miter) 0° – 45°					
Net weight	22 lbs. (10 kg)					
Cord	2 Conductor type cable 6 ft. (1.8 m)					

ACCESSORIES

⚠ WARNING:

Accessories for this power tool are mentioned in this Instruction Manual.
The use of any other attachment or accessory can be dangerous and could cause injury or mechanical damage.

STANDARD ACCESSORIES

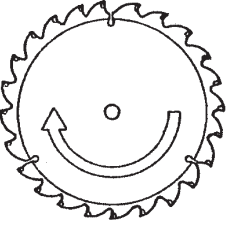

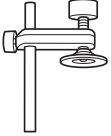

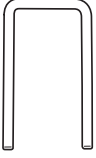
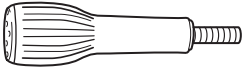
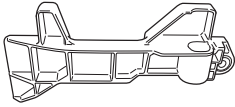
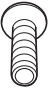


<p>① 10 in. (255mm) TCT Saw blade (1 piece) (For wood)</p>  <p>(No. of teeth 24 Code No. 318963)</p>	<p>② Dust bag (1 piece)</p>  <p>For how to use, refer to page 13.</p>	<p>③ Vise Assembly w/knob bolt (1 piece)</p>  <p>For how to use, refer to page 10.</p>	<p>④ 5mm Hex. bar wrench</p> 	<p>⑤ Holder (1 piece)</p> 
<p>⑥ Side handle (1 piece)</p> 	<p>⑦ Sub fence (1 piece)</p> 	<p>⑧ Flat screw (1 piece)</p> 	<p>⑨ M6 Nylon nut (1 piece)</p> 	<p>⑩ Plate (A) (1 piece)</p> 

Fig. 3

OPTIONAL ACCESSORIES...sold separately

- ① Holder (Code No. 974562)
- ② 6 mm machine screw (Code No. 949258)
- ③ Extension Holder and Stopper (Code No. 322710)
- ④ Saw blade 10 in. (255mm) TCT Saw blade for wood cut (Total teeth: 60) (Code No. 976472)
- ⑤ Saw blade 10 in. (255mm) TCT Saw blade for aluminum cut (Total teeth: 100) (Code No. 319658)
- ⑥ Crown molding Vise Ass'y (Code No. 322712) (Include Crown molding Stopper (L))
- ⑦ Crown molding Stopper (L) (Code No. 322713)
- ⑧ Crown molding Stopper (R) (Code No. 322714)

NOTE:

Accessories are subject to change without any obligation on the part of the metabo HPT.

APPLICATIONS

Wood and aluminum sash.

PREPARATION BEFORE OPERATION

Make the following preparations before operating the power tool:

1. Remove all packing materials attached or connected to the tool before attempting to operate it.
2. Installation

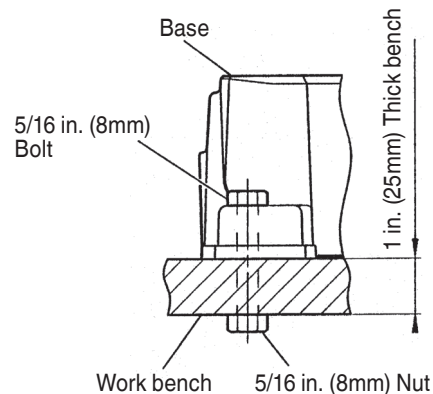
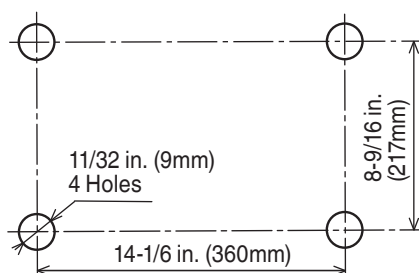


Fig. 4

Attach the power tool to a level, horizontal work bench in accordance with Fig. 4.

Select 5/16 in. (8mm) diameter bolts suitable in length for the thickness of the work bench.

Bolt length should be at least 1-3/8 in. (35mm) plus the thickness of the work bench.

For example, use 2-11/32 in. (60mm) or larger bolts for a 1 in. (25mm) thick work bench.

The holder attached to the rear of the base helps stabilize the power tool.

Holder, clamp lever adjustment:

Attach the holder in the position as shown in figure 5 and adjust the holder until its bottom surface contacts the work bench surface. After adjustments, securely tighten the 6mm bolt. Loosen the M6 × 20 screw on the clamp lever and attach to a position where the clamp lever can be easily operated.

⚠ CAUTION:

Attach the power tool to a work bench with bolts (6mm), and if the turntable has been swiveled 45° degrees or more, be careful not to let the hand that is holding the side handle get caught between the side handle and heads of bolts (6mm). Injuries could result.

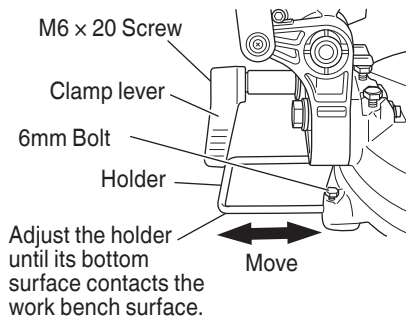
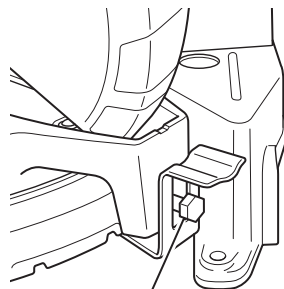


Fig. 5-a

Install the side handle

Remove the M10 bolt and install the side handle that came enclosed with this unit.

M10 Bolt
Fig. 5-b

- Releasing the locking pin
When the power tool is prepared for shipping, its main parts are secured by a locking pin.
Move the handle slightly so that the locking pin can be disengaged.

NOTE:

Lowering the handle slightly will enable you to disengage the locking pin more easily and safely.
The lock position of the locking pin is for carrying and storage only.

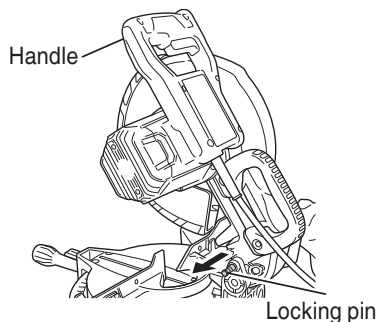


Fig. 6

- Installing the dust bag, holder, stopper and vises
(The holder and stopper are optional accessories.)
Attach the dust bag and vise assembly as indicated in Fig. 1 and Fig. 2.

BEFORE USING

- Make sure the power source is appropriate for the tool.

⚠ WARNING:

Never connect the power tool unless the available AC power source is of the same voltage as that specified on the nameplate of the tool.
Never connect this power tool to a DC power source.

- Make sure the trigger switch is turned OFF.

⚠ WARNING:

If the power cord is connected to the power source with the trigger switch turned ON the power tool will start suddenly and can cause a serious accident.

- Check the saw blade for visible defects.
Confirm that the saw blade is free of cracks or other visible damage.
- Confirm that the saw blade is attached securely to the power tool.
Using the supplied 5mm hex. bar wrench, tighten the bolt on the saw blade spindle to secure the saw blade.
For details, see Fig. 27-a, Fig. 27-b, Fig. 27-c and Fig. 27-d in the section on "SAW BLADE MOUNTING AND DISMOUNTING".
- Check the lower guard for proper operation.
Lower guard is designed to protect the operator from coming into contact with the saw blade during operation of the tool.
Always check that the lower guard moves smoothly and covers the saw blade properly.

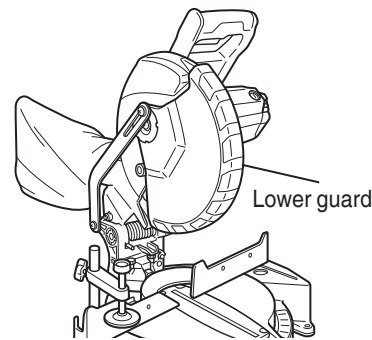


Fig. 7

⚠ WARNING:

NEVER OPERATE THE POWER TOOL if the safety cover does not function smoothly.

- Confirm the position of the spindle lock before using the tool.
After installing the saw blade, confirm that the spindle lock has been returned to the retract position before using the power tool (see Fig. 27-b).
- Check the Power Receptacle.
To prevent overheating, accidental stopping or intermittent operation, confirm that the power cord plug fits properly in the electrical receptacle and does not fall out after it is inserted. Repair or replace the receptacle if it is faulty.
- Confirm the tool's power cord is not damaged.
Repair or replace the power cord if an inspection indicates that it is damaged.
- Eye protection
Always wear eye protection with side shields that meets the requirements of ANSI Standard Z87.1. Ordinary eyeglasses do not provide adequate protection because they do not contain impact resistant safety glass.

⚠ WARNING:

Operating the tool without wearing proper eye protection may result in serious injury.

- Electric brake
This tool is equipped with an electric brake which will typically stop the blade within 5 seconds after the trigger switch is released.
Occasionally, there will be a delay in the brake engaging which will result in a longer blade stopping time. On rare occasions, the brake may not engage at all and the saw blade will coast to a stop.
If the brake fails to engage frequently, depress and release the trigger switch to turn the tool on and off 4 or 5 times. If the brake still does not engage, have the tool serviced at a metabo HPT authorized service center.
Always confirm that the saw blade has completely stopped before raising it from the workpiece.

The brake is not a substitute for a properly functioning lower guard. Check the function of the lower guard before each use. Serious personal injury may occur if the lower guard does not move smoothly and cover the blade properly.

⚠ WARNING:

Please be aware of the reaction of the Motor Head (Fig. 1) when the brake is activated. Braking causes the Motor Head to jerk downward and the user should be prepared for this reaction, especially when the trigger switch is released before the blade is completely down. Failure to be familiar with, and prepared for, the operational characteristics of the tool may cause serious injury.

AFTER CONNECTING THE POWER PLUG TO AN APPROPRIATE AC POWER SOURCE, CHECK THE OPERATION OF THE TOOL AS FOLLOWS:

11. Trial Run
After confirming that no one is standing behind, the power tool start and confirm that no operating abnormalities exist before attempting a cutting operation.
12. Inspect the rotating stability of the saw blade.
For precise cutting, rotate the saw blade and check for deflection to confirm that the blade is not noticeably unstable; otherwise vibrations might occur and cause an accident.

BEFORE CUTTING

1. Install the sub fence
In the case of direct angle cutting and angle cutting, use the sub fence. The sub fence can be installed on the right side of the guide fence. Place the attached plate in the position as shown in figure 8, insert the tip in the groove of fence and simultaneously, insert flathead screw M6 into fence, sub fence, and plate, then tighten nylon nut M6 with the included 10mm box wrench until the sub fence can smoothly rotate. Then, you can realize stable cutting of the material with a wide back face.

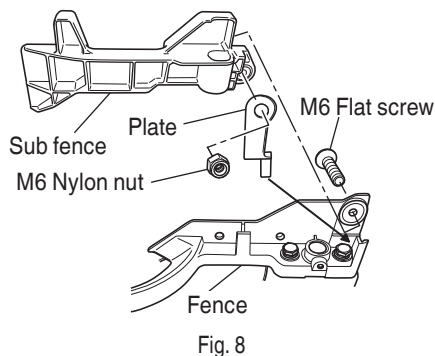


Fig. 8

2. Oblique angle
Before the power tool is shipped from the factory, it is adjusted for 0°, left 45° bevel cutting angle with the 8mm bolt (A) and the 8mm bolt (B). When changing the adjustment, change the height of the 8mm bolt (A) or the 8mm bolt (B) by turning them. (Fig. 9-a, Fig. 9-b)

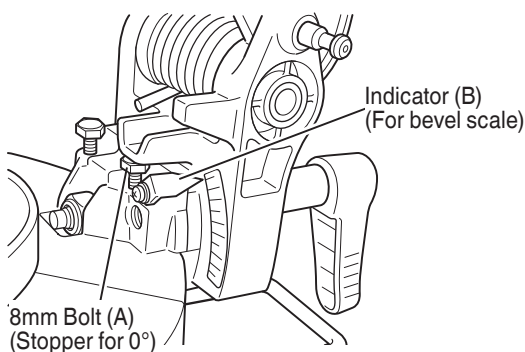


Fig. 9-a

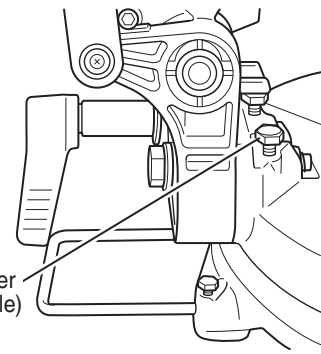


Fig. 9-b

3. Securing the workpiece

⚠ WARNING:

Always clamp or vise to secure the workpiece to the fence; otherwise the workpiece might be thrust from the table and cause bodily harm.

4. Installing the holder ... (Optional accessory)
The holder helps keep longer workpieces stable and in place during the cutting operation.
- As indicating in Fig. 10, installing the holder in the holes on the side of base and fasten it with 6 mm machine screw (Optional accessory).

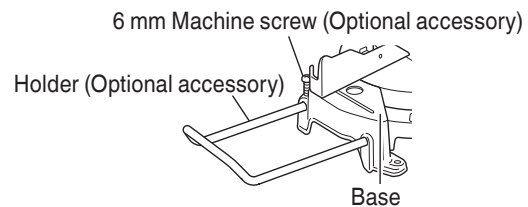


Fig. 10

5. Installing the holders ... (Optional accessory)
The holders help keep longer workpieces stable and in place during the cutting operation.
- (1) As indicated in Fig. 11, use a steel square for aligning the upper edge of the holders with the base surface. Loosen the 6mm wing nut. Turn a height adjustment bolt 6mm, and adjust the height of the holder.
- (2) After adjustment, firmly tighten the wing nut and fasten the holder with the 6mm wing bolt (optional accessory). If the length of Height Adjustment Bolt 6mm is insufficient, spread a thin plate beneath. Make sure the end of Height Adjustment Bolt 6mm does not protrude from the holder.

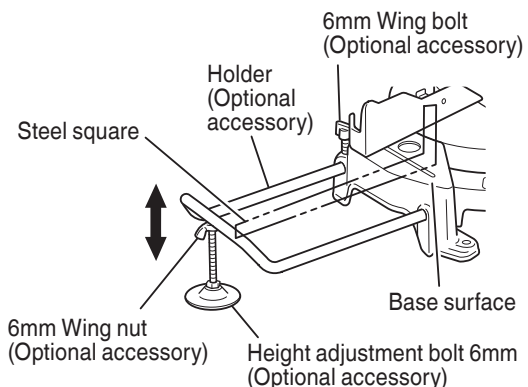


Fig.11

6. Stopper for precision cutting ... (Stopper and holder are optional accessory)
The stopper facilitates continuous precision cutting in lengths of 11 in. to 17-3/4 in. (280mm to 450mm). To install the stopper, attach it to the holder with the 6mm wing bolt as shown in Fig. 12.

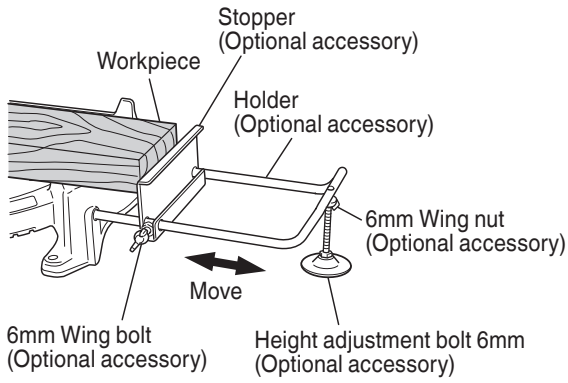


Fig. 12

PRACTICAL APPLICATIONS

⚠ WARNING:

- * To avoid personal injury, never remove or place a workpiece on the table while the tool is being operated.
- * Never place your limbs inside of the line next to warning sign while the tool is being operated. This may cause hazardous conditions (see Fig. 13).

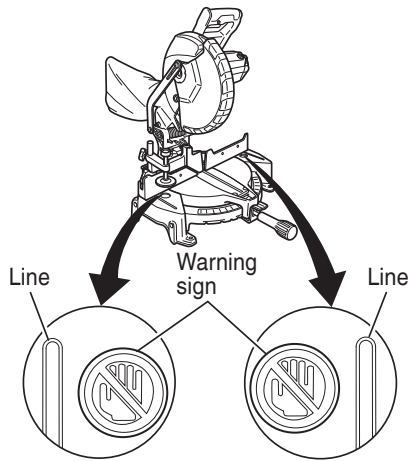


Fig. 13

1. Switch operation
The tool will not start unless the Lock-off button is pressed while the switch is pulled back.
The Lock-off button can be engaged by pressing it from the left.
After the switch is on, the saw blade will continue to operate as long as you pull on the switch trigger, even if you release the Lock-off button.
When the switch is released, the Lock-off button automatically disengages to prevent inadvertent motor startup.

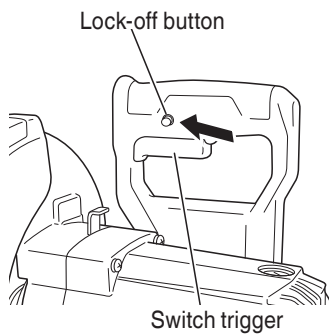


Fig. 14

⚠ WARNING:

- * Never lock the Lock-off button in depressed position. Pulling back the switch would then cause the tool to suddenly start operating, which could result in injury.

2. Using the Vise Assembly (Standard accessory)
 - (1) The vise assembly can be mounted on either left side of the fence or right side of the fence by loosening the 6mm wing bolt (A).
 - (2) The screw holder can be raised or lowered according to the height of the workpiece by loosening the 6mm wing bolt (B). After the adjustment, firmly tighten the 6mm wing bolt (B) and fix the screw holder.
 - (3) Turn the upper knob and securely fix the workpiece in position (Fig. 15).

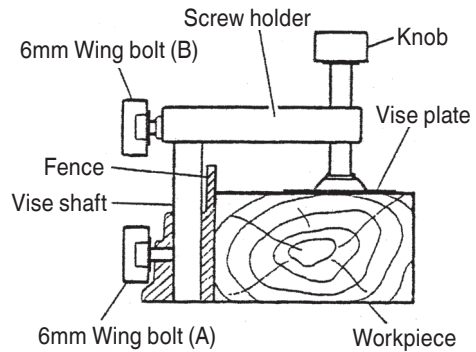


Fig. 15

⚠ WARNING:

- * Always firmly clamp or vise to secure the workpiece to the fence; otherwise the workpiece might be thrust from the table and cause bodily harm.

⚠ CAUTION:

- * Always confirm that the motor head (see Fig. 1) does not contact the vise assembly when it is lowered for cutting. If there is any danger that it may do so, loosen the 6 mm wing bolt (B) and move the vise assembly to a position where it will not contact the saw blade.

3. Cutting Operation
 - (1) As shown in Fig. 16 the width of the saw blade is the width of the cut. Therefore, slide the workpiece to the right (viewed from the operator's position) when length ⑥ is desired, or to the left when length ⑤ is desired.
 - (2) Once the saw blade reaches maximum speed, push the handle down carefully until the saw blade approaches the workpiece.
 - (3) Once the saw blade contacts the workpiece, push the handle down gradually to cut into the workpiece.
 - (4) After cutting the workpiece to the desired depth, turn the power tool OFF and let the saw blade stop completely before raising the handle from the workpiece to return it to the full retract position.

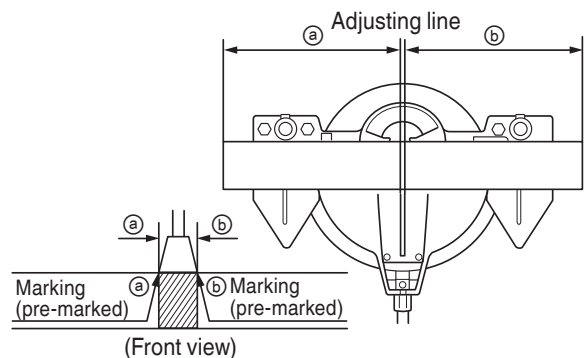


Fig. 16

⚠ WARNING:

- * Confirm that the trigger switch is turned OFF and the power plug has been removed from the receptacle whenever the tool is not in use.
- * When you cut the workpiece, avoid any cutoff thinner than the clearance between the cutting edge and the saw blade. Otherwise, the cut-off material can enter the clearance between the cutting edge and the saw blade and scatter around you, resulting in an injury.

- ⚠ CAUTION:**
- * Increased pressure on the handle will not increase the cutting speed. On the contrary, too much pressure may result in overload of the motor and/or decreased cutting efficiency.
 - * If the handle is pressed down with excessive or lateral force, the saw blade may vibrate during the cutting operation and cause unwanted cutting marks on the workpiece, thus reducing the quality of the cut. Accordingly, press the handle down gently and carefully.
4. Miter cutting procedures
- (1) Loosen the side handle and push the lever for angle stoppers. Then, adjust the turntable until the indicator aligns with desired setting on the miter scale (Fig. 17).
 - (2) Re-tighten the side handle to secure the turntable in the desired position.

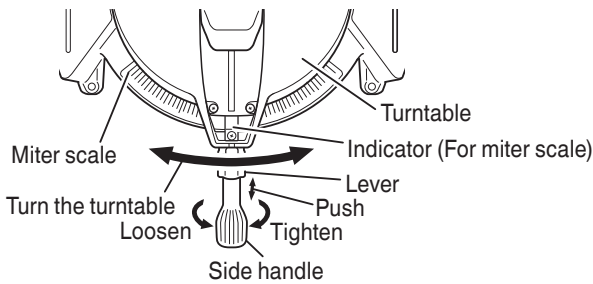


Fig. 17

NOTE:

- * Positive stops are provided at the right and left of the 0° center setting, at 15°, 22.5°, 31.6° and 45° settings. Check that the miter scale and the tip of the indicator are properly aligned.
- * Operation of the saw with the miter scale and indicator out of alignment, or with the side handle not properly tightened, will result in poor cutting precision.

- ⚠ CAUTION:**
- Never remove the side handle; use of the tool without it would be hazardous. To prevent an accident or personal injury always firmly tighten the miter handle.

5. Bevel cutting procedures
- (1) Loosen the clamp lever and bevel the saw blade to the left.
 - (2) Adjust the bevel angle to the desired setting while watching the bevel angle scale and indicator, then secure the clamp lever.

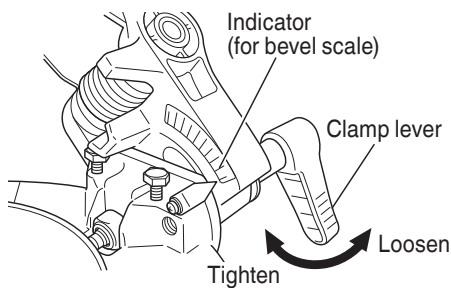


Fig. 18

⚠ WARNING:

When the workpiece is secured on the left or right side of the blade, the short cut-off portion will come to rest on the right or left side of the saw blade. Always turn the power off and let the saw blade stop completely before raising the handle from the workpiece. If the handle is raised while the saw blade is still rotating, the cut-off piece may become jammed against the saw blade causing fragments to scatter about dangerously. When stopping the bevel cutting operation halfway, start cutting after pulling back the motor head to the initial position. Starting from halfway, without pulling back, causes the safety cover to be caught in the cutting groove of the workpiece and to contact the saw blade.

6. Compound cutting procedures
- Compound cutting can be performed by following the instructions in 4 and 5 above. For maximum dimensions for compound cutting, refer to "SPECIFICATIONS" table on page 6.

- ⚠ CAUTION:**
- Always secure the workpiece with the right hand side for compound cutting. Never rotate the table to the right for compound cutting, because the saw blade might then contact the clamp or vise that secures the workpiece, and cause personal injury or damage.

7. Crown molding cutting procedures
- Fig. 19 shows two common crown molding types having angles of (θ) 38° and 45°.
- For the typical crown molding fittings, see Fig. 20.

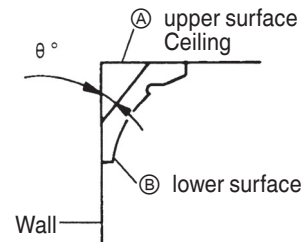


Fig. 19

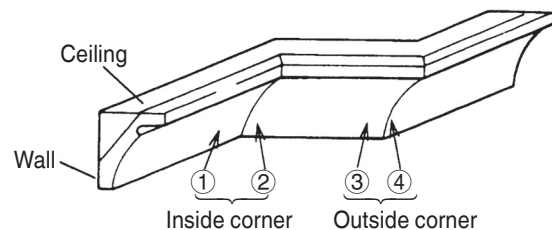


Fig. 20

The table below shows the miter angle and the bevel angle settings that are ideal for the two crown molding types.

NOTE:

For convenience, positive stops are provided for the miter setting (left and right 31.6°) positions.

For miter cut setting

If the turntable has been set to either of the angles described, move the turntable adjusting side handle a little to the right and left to stabilize the position and to properly align the miter angle scale and the tip of the indicator before the operation starts.

For bevel cut setting

Move handle on bevel section to the left and check that the position is stable and that the bevel angle scale and the tip of the indicator are properly aligned. Then tighten the clamp lever.

Type of Crown Molding	To process crown molding at positions ① and ④ in Fig. 20.		To process crown molding at positions ② and ③ in Fig. 20.	
	Miter Angle Setting	Bevel Angle Setting	Miter Angle Setting	Bevel Angle Setting
45° Type	right 35.3° (↓ mark)	left 30° (↓ mark)	left 35.3° (↓ mark)	left 30° (↓ mark)
38° Type	right 31.6° (↓ mark)	left 33.9° (↓ mark)	left 31.6° (↓ mark)	left 33.9° (↓ mark)

(1) Setting to cut crown moldings at positions ① and ④ in Fig. 20 (see Fig. 21; tilt the motor head to the left):

- ① Turn the turntable to the right and set the Miter Angle as follows:
 - * For 45° type crown moldings: 35.3° (↓ mark)
 - * For 38° type crown moldings: 31.6° (↓ mark)
- ② Tilt the motor head to the left and set the Bevel Angle as follows:
 - * For 45° type crown moldings: 30° (↓ mark)
 - * For 38° type crown moldings: 33.9° (↓ mark)
- ③ Position the crown molding so that the upper surface (A in Fig. 19) contacts the fence as indicated in Fig. 23.

(2) Setting to cut crown moldings at positions ② and ③ in Fig. 20 (see Fig. 22; tilt the head to the left):

- ① Turn the turntable to the left and set the Miter Angle as follows:
 - * For 45° type crown moldings: 35.3° (↓ mark)
 - * For 38° type crown moldings: 31.6° (↓ mark)
- ② Tilt the head to the left and set the Bevel Angle as follows:
 - * For 45° type crown moldings: 30° (↓ mark)
 - * For 38° type crown moldings: 33.9° (↓ mark)
- ③ Position the crown molding so that the lower surface (B in Fig. 19) contacts the fence as in Fig. 24.

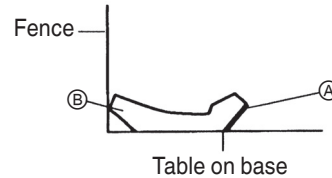


Fig. 24

Cutting method of crown molding without tilting the saw blade.

- (1) Crown molding Stopper (L) and (R) (optional accessories) allow easier cuts of crown molding without tilting the saw blade. Install them in the base both-sides side to be shown in Fig. 25-a. After inserting Tighten the 6mm knob bolts to secure the crown molding Stoppers.

- [Optional accessories used]
- Crown molding Vise Ass'y (Include Crown molding Stopper (L))
 - Crown molding Stopper (L)
 - Crown molding Stopper (R)

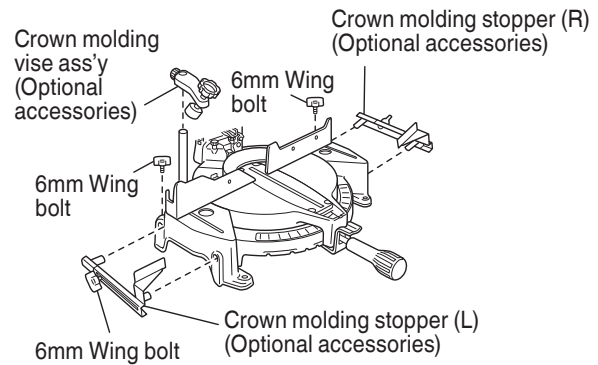


Fig. 25-a

- (2) The crown molding vise (B) (Optional accessory) can be mounted on either left side of the fence or the right side of the fence. It can unite with the slope of the crown molding and vice can be pressed down.

Then turn the upper knob, as necessary, to securely attach the crown molding in position. To raise or lower the vise assembly, first loosen the 6mm knob bolt.

After adjusting the height, firmly tighten the 6mm wing bolt; then turn the upper knob, as necessary, to securely attach the crown molding in position. (See Fig. 25-b)

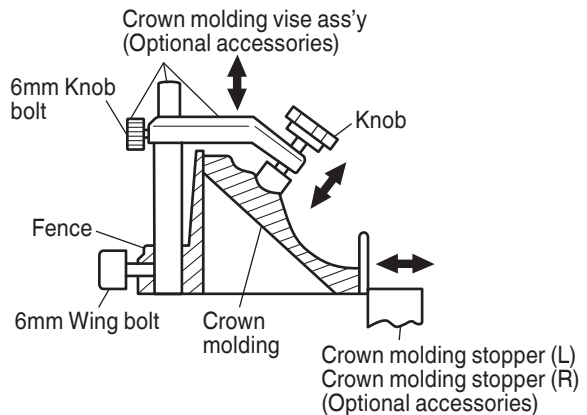


Fig. 25-b

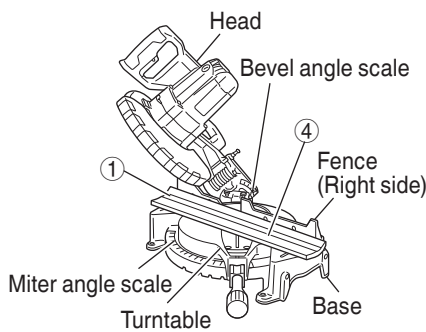


Fig. 21

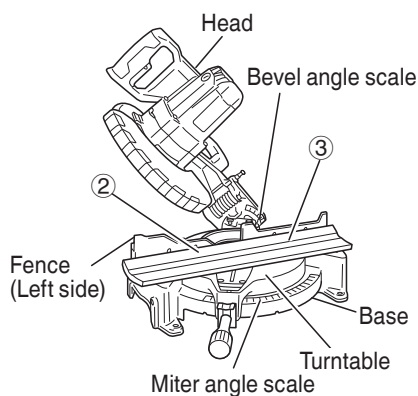


Fig. 22

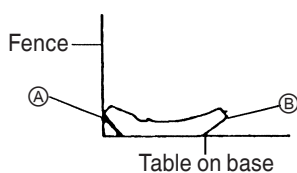


Fig. 23

⚠ WARNING:
Always firmly clamp or vise to secure the crown molding to the fence; otherwise the crown molding might be thrust from the table and cause bodily harm.
Do not bevel cutting. The main body or saw blade may contact the sub fence, resulting in an injury.

⚠ CAUTION:
Always confirm that the motor head (see Fig. 1) does not contact the crown molding vise ass'y when it is lowered for cutting. If there is any danger that it may do so, loosen the 6mm knob bolt and move the crown molding vise ass'y to a position where it will not contact the saw blade.

Position crown molding with its WALL CONTACT EDGE against the guide fence and its CEILING CONTACT EDGE against the crown molding Stoppers as shown in Fig. 25-b.

Adjust the crown molding Stoppers according to the size of the crown molding.

Tighten the 6mm wing bolt to secure the crown molding Stoppers.

8. Cutting easily-deformed materials, such as aluminum sash
Materials such as aluminum sash can easily deform when tightened too much in a vise assembly. This will cause inefficient cutting and possible overload of the motor.

When cutting such materials, use a wood plate to protect the workpiece as shown in Fig. 26-a. Set the wood plate near the cutting section.

When cutting aluminum materials, coat the saw blade with cutting oil (non-combustible) to achieve smooth cutting and a fine finish.

In addition, in case of a U-shaped workpiece, use the wood plate as shown in Fig. 26-b to ensure stability in the lateral direction, and clamp it near the cutting section of the workpiece and tighten it using both the vise assembly and the clamp available in the market.

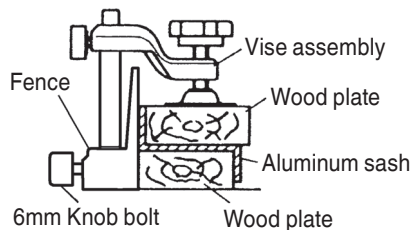


Fig. 26-a

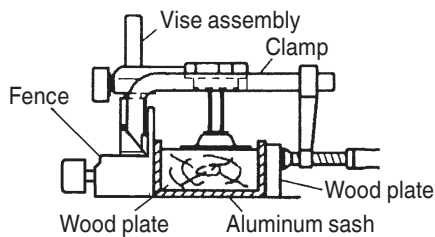


Fig. 26-b

9. How to use the dust bag (Standard accessory)
(1) When the dust bag has become full of sawdust, dust will be blown out of the dust bag when the saw blade rotates.
Check the dust bag periodically and empty it before it becomes full.
(2) During bevel and compound cutting, attach the dust bag at a right angle to the base surface as shown in Fig. 27.

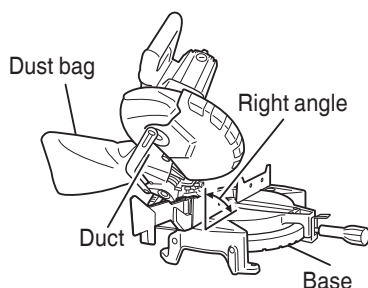


Fig. 27

⚠ CAUTION:
Empty the dust bag frequently to prevent the duct and the safety cover from becoming clogged.
Sawdust will accumulate more quickly than normal during bevel cutting.

SAW BLADE MOUNTING AND DISMOUNTING

⚠ WARNING:
* To prevent an accident or personal injury, always turn off the trigger switch and disconnect the power plug from the receptacle before removing or installing a saw blade.
If cutting work is done in a state where the bolt is not sufficiently tightened, the bolt can get loose, the blade can come off, and the lower guard can get damaged, resulting in injuries.
Also, check that the bolts are properly tightened before plugging the power plug into the receptacle.
* If the bolts are attached or detached using tools other than the 5mm Hex. bar wrench (standard accessory), excessive or improperly tightening occurs, resulting in injury.

- Mounting the saw blade (Fig. 28-a, Fig. 28-b and Fig. 28-c)
 - Rotate the lower guard (plastic) to the top position.
 - Press in spindle lock and loosen bolt with 5mm Hex. bar wrench (standard accessory).
Since the bolt is left-hand threaded, loosen by turning it to the right as shown in Fig. 28-b.

NOTE:
If the spindle lock cannot be easily pressed in to lock the spindle, turn the bolt with 5mm Hex. bar wrench (standard accessory) while applying pressure on the spindle lock.
The saw blade spindle is locked when the spindle lock is pressed inward.

- Remove the bolt, washer (D) and washer (E)

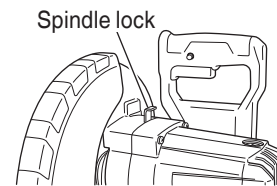


Fig. 28-a

- Lift the lower guard and mount the saw blade.

⚠ WARNING:
When mounting the saw blade, confirm that the rotation indicator mark on the saw blade and the rotation direction of the gear case (see Fig. 1) are properly matched.

- Thoroughly clean washer (D), washer (E) and the bolt, and install them onto the saw blade spindle.

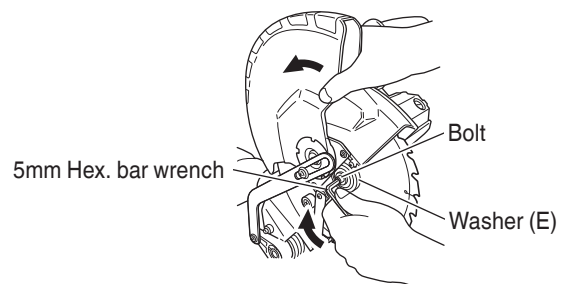


Fig. 28-b

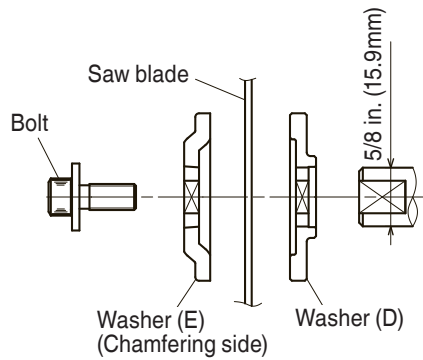


Fig. 28-c

- (6) Press in the spindle lock and tighten the bolt by turning it to the left by standard accessories wrench (5mm Hex. bar wrench) as indicated in Fig. 28-b.

CAUTION:

- * Confirm that the spindle lock has returned to the retract position after installing or removing the saw blade.
- * Tighten the bolt so it does not come loose during operation. Confirm the bolt has been properly tightened before the power tool is started.

2. Dismounting the saw blade
Dismount the saw blade by reversing the mounting procedures described in paragraph 1 above.
The saw blade can easily be removed after lifting the safety cover.

CAUTION:

- Never attempt to install saw blades larger than 10 in. (255mm) in diameter.
Always install saw blades that are 9-21/32" (245mm) to 10 in. (255mm) in diameter.

TRANSPORTATION OF THE MAIN BODY

The vice assembly could be dropped during transportation. Either remove the assembly or slip a piece of wood between the vice to firmly secure it.

Drop the head and insert the locking pin (see P. 8 "Releasing the locking pin").

Turn and loosen the side handle, turn the turntable as far right as it will go, and secure the turntable by turning the handle to the fixed position. This will make the main body even more compact.

When transporting the main body, carry it in your arms, holding the grip located on the base with both hands or carry handle.

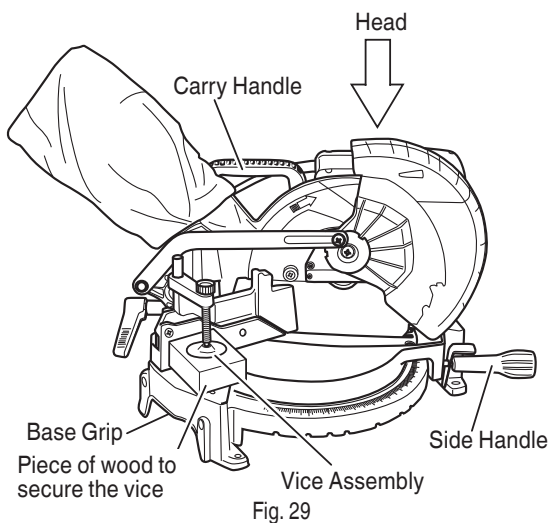


Fig. 29

MAINTENANCE AND INSPECTION

WARNING:

To avoid an accident or personal injury, always confirm that the trigger switch is turned OFF and the power plug has been disconnected from the receptacle before performing any maintenance or inspection of this tool.

1. Inspecting the saw blade
Always replace the saw blade immediately upon the first sign of deterioration or damage.
A damaged saw blade can cause personal injury and a worn saw blade can cause ineffective operation and possible overload to the motor.

CAUTION:

Never use a dull saw blade. When a saw blade is dull, its resistance to the hand pressure applied by the tool handle tends to increase, making it unsafe to operate the power tool.

2. Inspecting the lever
If the M6 hexagonal head bolts (2) are loose, align the sides of the fence and saw blade with the steel square. After adjusting the saw blade and fence to a ninety-degree angle, tighten the lever securing hexagonal head bolts (2).

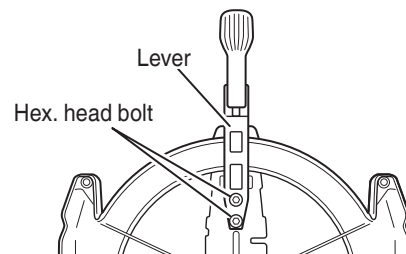


Fig. 30-a

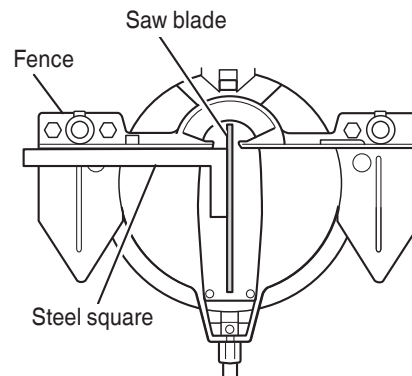


Fig. 30-b

3. Inspecting the carbon brushes (Fig. 31 and Fig. 32)
The carbon brushes in the motor are expendable parts. If the carbon brushes become excessively worn, motor trouble might occur.
Therefore, inspect the carbon brushes periodically and replace them when they have become worn to the wear limit line as shown in Fig. 31. Also, keep the carbon brushes clean so that they will slide smoothly within the brush holders.
The carbon brushes can easily be removed after removal of the brush caps (see Fig. 32) with a slotted (minus) screwdriver.

NOTE:

When replacing the carbon brushes, use only metabo HPT carbon brushes having "43" in the last two digit of its Code No. (see Fig. 31). If you use other carbon brushes, the electric brake will not operate.

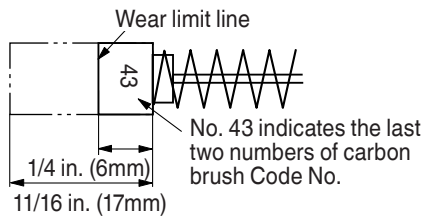


Fig. 31

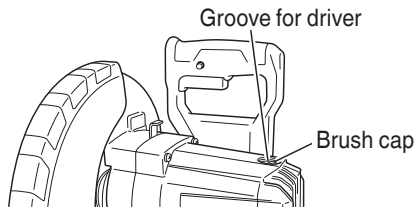


Fig. 32

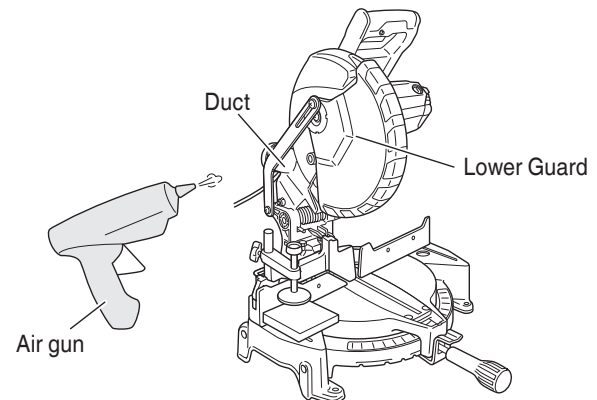


Fig. 33

4. About Handling the Motor (see Fig. 1)
Winding of the motor is said to be the heart of this tool. Exercise utmost caution not to damage the winding by exposing it to wash oil or water.

NOTE:

Accumulation of dust and the like inside the motor can result in a malfunction.

After using the motor for 50 hours or so, carry out no-load running, and blow in the dry air from a wind hole at the motor's rear. Such action is effective to discharge dust and the like.

5. Inspecting the screws
Regularly inspect each component of the power tool for looseness. Re-tighten screws on any loose part.

⚠ WARNING:

To prevent personal injury, never operate the power tool if any components are loose.

6. Inspecting the lower guard for proper operation
Before each use of the tool, test the lower guard (see Fig. 7) to assure that it is in good condition and that it moves smoothly. Never use the tool unless the lower guard operates properly and it is in good mechanical condition.
7. Storage
After operation of the tool has been completed, check that the following has been performed:
- (1) Trigger switch is in OFF position,
 - (2) Power plug has been removed from the receptacle,
 - (3) To prevent unauthorized operation of this tool, insert a padlock through the hole in the switch trigger.
- When the tool is not in use, keep it stored in a dry place out of the reach of children.
8. Lubrication
Lubricate the following sliding surfaces once a month to keep the power tool in good operating condition for a long time (see Fig. 1 and Fig. 2). Use of machine oil is recommended.
Oil supply points:
- * Rotary portion of hinge
 - * Rotary portion of vise assembly
9. Cleaning
Clean the machine, duct and lower guard by blowing with dry air from an air gun or other tool.
Periodically remove chips, dust and other waste material from the surface of the power tool, especially from the inside of the lower guard with a damp, soapy cloth. To avoid a malfunction of the motor, protect it from contact with oil or water.

**CAUTION:**

In the operation and maintenance of power tools, the safety regulations and standards prescribed in each country must be observed.

MODIFICATIONS:

metabo HPT Power Tools are constantly being improved and modified to incorporate the latest technological advancements. Accordingly, some parts may be changed without prior notice.

SERVICE AND REPAIRS

All quality power tools will eventually require servicing or replacement of parts because of wear from normal use. To assure that only authorized replacement parts will be used and that the double insulation system will be protected, all service (other than routine maintenance) must be performed by an AUTHORIZED metabo HPT POWER TOOL REPAIR CENTER ONLY.

NOTE:

Specifications are subject to change without any obligation on the part of metabo HPT.

TROUBLESHOOTING GUIDE

 **WARNING:**

- To avoid injury from an accidental start, turn the switch OFF and remove the plug from the power source before making any adjustments.
- All electrical or mechanical repairs should be done only by qualified service technicians. Contact metabo HPT Authorized Service Center.

GENERAL

PROBLEM	PROBABLE CAUSE	REMEDY
Saw will not start.	<ol style="list-style-type: none"> 1. Saw not plugged in. 2. Faulty switch. 3. Fuse blown or circuit breaker tripped. 4. Cord damaged. 5. Worn, broken brushes. 	<ol style="list-style-type: none"> 1. Plug in saw. 2. Have switch replaced by an Authorized Service Center. 3. Replace fuse or reset circuit breaker. 4. Have cord replaced by an Authorized Service Center. 5. Replace brushes.
Saw makes unsatisfactory cuts.	<ol style="list-style-type: none"> 1. Dull blade. 2. Blade mounted backwards. 3. Gum or pitch on blade. 4. Incorrect blade for work being done. 	<ol style="list-style-type: none"> 1. Replace blade. 2. Turn blade around. 3. Remove blade and clean with turpentine and coarse steel wool. 4. Change the blade.
Blade does not come up to speed.	<ol style="list-style-type: none"> 1. Extension cord too light or too long. 2. Low supply voltage. 	<ol style="list-style-type: none"> 1. Replace with the adequate size extension cord. 2. Contact the electric company.
Saw vibrates excessively.	<ol style="list-style-type: none"> 1. Blade bolt not tight. 2. Saw not mounted securely to workbench. 3. Workbench on uneven floor. 4. Blade or blade flanges not clean. 	<ol style="list-style-type: none"> 1. Tighten blade bolt. 2. Tighten all mounting hardware. 3. Reposition workbench on flat level surface. 4. Clean blade and blade flanges.
Does not make accurate miter cuts.	<ol style="list-style-type: none"> 1. Damaged saw blade. 2. Positive stop not adjusted correctly. 3. Workpiece moving. 	<ol style="list-style-type: none"> 1. Replace blade. 2. Check and adjust positive stop. 3. Clamp workpiece securely to fence.
Material pinches blade.	<ol style="list-style-type: none"> 1. Cutting bowed material in wrong position. 	<ol style="list-style-type: none"> 1. Position bowed material correctly (convex side to the back fence).

INFORMATIONS IMPORTANTES DE SÉCURITÉ

Lire et comprendre toutes les précautions de sécurité, les avertissements et les instructions de fonctionnement dans ce mode d'emploi avant d'utiliser ou d'entretenir cet outil motorisé.

La plupart des accidents causés lors de l'utilisation ou de l'entretien de l'outil motorisé proviennent d'un non respect des règles ou précautions de base de sécurité. Un accident peut la plupart du temps être évité si l'on reconnaît une situation de danger potentiel avant qu'elle ne se produise, et en observant les procédures de sécurité appropriées.

Les précautions de base de sécurité sont mises en évidence dans la section "SECURITE" de ce mode d'emploi et dans les sections qui contiennent les instructions de fonctionnement et d'entretien.

Les dangers qui doivent être évités pour prévenir des blessures corporelles ou un endommagement de la machine sont identifiés par AVERTISSEMENTS sur l'outil motorisé et dans ce mode d'emploi.

NE JAMAIS utiliser cet outil motorisé d'une manière qui n'est pas spécifiquement recommandée par metabo HPT.






SIGNIFICATION DES MOTS D'AVERTISSEMENT

AVERTISSEMENT indique des situations potentiellement dangereuses qui, si elles sont ignorées, pourraient entraîner la mort ou de sérieuses blessures.

ATTENTION indique des situations dangereuses potentielles qui, si elles ne sont pas évitées, peuvent entraîner de mineures et légères blessures ou endommager la machine.

REMARQUE met en relief des informations essentielles.

SIGNIFICATION DES SYMBOLES

Symboles			
⚠ AVERTISSEMENT			
Les symboles suivants sont utilisés pour l'outil. Bien se familiariser avec leur signification avant d'utiliser l'outil.			
	Pour réduire tout risque de blessure, l'utilisateur doit lire le mode d'emploi.	Hz	hertz
		A	ampères
	Toujours porter des verres de protection.	no	vitesse à vide
	Porter des protections anti-bruit en permanence.		Construction de classe II
		---/min	tours par minute
V	volts		courant alternatif

SÉCURITÉ

AVERTISSEMENTS DE SÉCURITÉ GÉNÉRAUX CONCERNANT LES OUTILS ÉLECTRIQUES

⚠ AVERTISSEMENT:

Lire toutes les consignes de sécurité, instructions, illustrations et spécifications fournies avec le présent outil électrique.
Le non-respect de toutes les instructions ci-dessous peut entraîner une décharge électrique, un incendie et/ou de graves blessures.

Conservez tous les avertissements et toutes les instructions pour vous y référer ultérieurement.

Le terme "outil électrique", utilisé dans les avertissements, se réfère aux outils électriques (câblé) ou aux outils à piles (sans fil).

- 1) Sécurité de l'aire de travail
 - a) **Maintenir l'aire de travail propre et bien éclairée.**
Les endroits encombrés ou sombres sont propices aux accidents.
 - b) **Ne pas utiliser d'outils électriques en présence de liquides, gaz ou poussière inflammables, au risque de provoquer une explosion.**
Les outils électriques créent des étincelles susceptibles d'enflammer la poussière.
 - c) **Ne pas laisser les enfants et les visiteurs s'approcher de vous lorsque vous utiliser un outil électrique.**
Les distractions peuvent faire perdre le contrôle.
- 2) Sécurité électrique
 - a) **Les prises de l'outil électrique doivent correspondre à la prise secteur. Ne jamais modifier la prise. Ne pas utiliser d'adaptateurs avec les outils électriques mis à la masse.**
Les prises non modifiées et les prises secteurs correspondantes réduisent les risques de choc électrique.
 - b) **Éviter tout contact avec les surfaces mises à la masse telles que les tuyaux, radiateurs, bandes et réfrigérateurs.**
Le risque de choc électrique est accru en cas de mise à la masse du corps.
 - c) **Ne pas exposer les outils électriques à la pluie ou à des conditions humides.**
Si l'eau pénètre dans l'outil, cela augmente les risques de choc électrique.
- d) **Ne pas utiliser le cordon à tort. Ne jamais utiliser le cordon pour transporter ou débrancher l'outil électrique.**
Maintenir le cordon loin de la chaleur, de l'huile, des bords pointus ou des pièces mobiles.
Les cordons endommagés ou usés augmentent les risques de choc électrique.
- e) **En cas d'utilisation d'un outil électrique à l'extérieur, utiliser un cordon de rallonge adapté à un usage extérieur.**
L'utilisation d'un cordon adapté à l'usage extérieur réduit les risques de choc électrique.
- f) **Si vous devez utiliser un outil électrique dans un endroit humide, utilisez une alimentation protégée contre les courants résiduels.**
L'utilisation d'un dispositif de protection contre les courants résiduels réduit le risque de choc électrique.
- 3) Sécurité personnelle
 - a) **Restez alerte, regarder ce que vous faites et usez de votre bon sens en utilisant un outil électrique.**
Ne pas utiliser d'outil électrique si vous êtes sous l'influence de drogues, d'alcool ou de médicaments.
Pendant l'utilisation d'outils électriques, un instant d'inattention peut entraîner des blessures graves.
 - b) **Utiliser un équipement de protection individuelle. Toujours porter des verres de protection.**
Un équipement de protection tel qu'un masque anti-poussière, des chaussures de sécurité antidérapantes, un casque de protection ou une protection auditive, utilisé dans des conditions appropriées réduira les risques de blessures.

- c) **Empêcher les démarrages intempestifs. Veiller à ce que l'interrupteur soit en position d'arrêt avant de brancher à une source d'alimentation et/ou une batterie, de ramasser l'outil au sol ou de le transporter.**
Transporter les outils électriques avec le doigt sur l'interrupteur ou brancher les outils électriques avec l'interrupteur en position de marche peut entraîner des accidents.
- d) **Retirer toute clé de sécurité ou clé avant de mettre l'outil électrique en marche.**
Laisser une clé ou une clé de sécurité sur une partie mobile de l'outil électrique peut engendrer des blessures.
- e) **Ne pas trop se pencher. Toujours garder une bonne assise et un bon équilibre pendant le travail.**
Cela permet un meilleur contrôle de l'outil électrique dans des situations imprévisibles.
- f) **Porter des vêtements adéquats. Ne pas porter de vêtements amples ni de bijoux. Maintenir les cheveux et les vêtements loin des pièces mobiles.**
Les vêtements amples ou les cheveux longs peuvent se prendre dans les pièces mobiles.
- g) **En cas de dispositifs destinés au raccordement d'installations d'extraction et de recueil de la poussière, veiller à ce qu'ils soient correctement raccordés et utilisés.**
L'utilisation d'un dispositif de collecte de la poussière peut réduire les dangers associés à la poussière.
- h) **Ne pas laisser la familiarité due à une utilisation fréquente des outils vous faire baisser la garde et ignorer les principes de sécurité de l'outil.**
Une fraction de seconde d'inattention peut causer de graves blessures.
- 4) **Utilisation et entretien d'un outil électrique**
- a) **Ne pas forcer sur l'outil électrique. Utiliser l'outil électrique adapté à vos travaux.**
Le bon outil électrique fera le travail mieux et en toute sécurité au régime pour lequel il a été conçu.
- b) **Ne pas utiliser l'outil électrique si l'interrupteur ne le met pas en position de marche et d'arrêt.**
Tout outil ne pouvant être contrôlé par l'interrupteur est dangereux et doit être réparé.
- c) **Débrancher la fiche de la source d'alimentation et/ou retirer la batterie, si elle est amovible, de l'outil électrique avant de procéder à tout réglage, de changer d'accessoires ou de ranger les outils électriques.**
Ces mesures préventives de sécurité réduisent les risques de démarrage accidentel de l'outil électrique.
- d) **Stockez les outils électriques inutilisés hors de la portée des enfants et ne pas laisser des personnes non familiarisées avec l'outil ou ces instructions utiliser l'outil électrique.**
Les outils électriques sont dangereux entre les mains d'utilisateurs non habilités.
- e) **Entretien des outils électriques et les accessoires. Vérifier l'absence de mauvais alignement ou d'arrêt, d'endommagement de pièces ou toute autre condition susceptible d'affecter l'opération de l'outil. Si l'outil est endommagé, le faire réparer avant utilisation.**
De nombreux accidents sont dus à des outils mal entretenus.
- f) **Maintenir les outils coupants aiguisés et propres.**
Des outils coupants bien entretenus avec des bords aiguisés sont moins susceptibles de se coincer et plus simples à contrôler.
- g) **Utiliser l'outil électrique, les accessoires et les mâches de l'outil, etc. conformément à ces instructions en tenant compte des conditions d'utilisation et du travail à réaliser.**
L'utilisation de l'outil électrique pour des opérations différentes de celles pour lesquelles il a été conçu est dangereuse.
- h) **Conservé les poignées et les surfaces de prise sèches, propres et exemptes d'huile et de graisse.**
Des poignées et des surfaces de prise glissantes ne permettent pas une manipulation sûre et la maîtrise de l'outil en cas de situations imprévues.
- 5) **Service**
- a) **Faire entretenir l'outil électrique par un technicien habilité à l'aide de pièces de rechange identiques exclusivement.**
Cela garantira le maintien de la sécurité de l'outil électrique.

PRÉCAUTION

Tenez les enfants et les personnes infirmes à l'écart. Lorsqu'ils ne sont pas utilisés, les outils devraient être rangés hors de la portée des enfants et des personnes infirmes.

CONSIGNES DE SÉCURITÉ POUR SCIES À ONGLET

- a) **Les scies à onglet sont conçues pour couper le bois ou les produits similaires au bois, elles ne peuvent pas être utilisées avec des meules à tronçonner abrasives pour couper des matériaux ferreux comme des barres, des tiges, des goujons, etc.**
La poussière abrasive cause le blocage des pièces en mouvement comme la protection inférieure. Des étincelles du tronçonnage abrasif brûleront la protection inférieure, le pare-éclats et les autres pièces en plastique.
- b) **Utilisez des dispositifs de serrage pour soutenir la pièce lorsque cela est possible. Si vous soutenez la pièce avec la main, vous devez toujours maintenir votre main à au moins 100 mm de tout côté de la lame de scie. N'utilisez pas cette scie pour couper des pièces qui sont trop petites pour être serrées de façon sécuritaire ou tenues à la main.**
Si votre main est placée trop près de la lame de scie, il y a un risque accru de blessure suite au contact de la lame.
- c) **La pièce doit être stationnaire et serrée ou tenue à la fois contre le guide et la table. N'entraînez en aucun cas la pièce dans la lame ou coupez à main levée.**
Les pièces incontrôlées ou en mouvement pourraient être jetées à grande vitesse, causant des blessures.
- d) **Poussez la lame à travers la pièce. Ne tirez pas la lame à travers la pièce. Pour faire une coupe, soulevez la tête de scie et tirez-la par dessus la pièce sans couper, démarrez le moteur, appuyez la tête de scie vers le bas et poussez la scie à travers la pièce.**
Si vous coupez en tirant, vous risquez de faire grimper la lame de scie sur le haut de la pièce et de violemment jeter l'ensemble de la lame en direction de l'opérateur.
- e) **Ne croisez jamais vos mains par dessus le trait de coupe prévu que ce soit devant ou derrière la lame de scie.**
Soutenir la pièce les mains croisées, à savoir en tenant la pièce vers la droite de la lame de scie avec votre main gauche ou vice et versa est très dangereux.
- f) **N'atteignez pas le dos du guide avec une main plus proche que 100 mm de tout côté de la lame de scie pour retirer des chutes de bois, ou pour toute autre raison alors que la lame tourne.**
La proximité de la lame de scie tournante avec votre main peut ne pas être évidente et vous pourriez être gravement blessé.
- g) **Inspectez votre pièce avant la coupe. Si la pièce est arquée ou déformée, serrez-la avec la face externe arquée tournée vers le guide. Assurez-vous toujours qu'il n'y a pas d'espace entre la pièce, le guide et la table le long du trait de coupe.**
Les pièces pliées ou déformées peuvent se tordre ou bouger, et causer le grippage de la lame de scie en rotation pendant la coupe. Il ne devrait pas y avoir de clous ou de corps étrangers dans la pièce.
- h) **N'utilisez pas la scie tant que la table n'est pas dégagée de tous les outils, chutes de bois, etc., sauf pour la pièce.**
Les petits débris ou les petits morceaux de bois ou autres objets qui entrent en contact avec la lame en rotation peuvent être jetés à grande vitesse.
- i) **Coupez seulement une pièce à la fois.**
Les multiples pièces empilées ne peuvent pas être serrées ou unies correctement et peuvent gripper la lame ou bouger pendant la coupe.
- j) **Assurez-vous que la scie à onglet est montée ou placée sur une surface de travail plane et ferme avant utilisation.**
Une surface de travail plane et ferme réduit le risque que la scie à onglet devienne instable.
- k) **Planifiez votre travail. Chaque fois que vous changez le réglage des angles d'onglet et de biseau, assurez-vous que le guide réglable est correctement réglé pour soutenir la pièce et ne perturbera pas la lame ou le système de protection.**
Sans placer l'outil sur Marche et sans pièce sur la table, déplacez la lame de scie à travers une coupe simulée complète pour assurer qu'il n'y a pas d'interférence ou de danger de couper le guide.
- l) **Prévoyez un soutien adéquat comme des extensions de table, des chevalets de sciage, etc., pour une pièce qui est plus large ou plus longue que le haut de la table.**
Les pièces plus longues ou plus larges que la table de la scie à onglet peuvent basculer si elles ne sont pas soutenues de façon sécuritaire. Si la pièce découpée ou la pièce bascule, elle peut soulever la protection inférieure ou être jetée par la lame en rotation.
- m) **N'utilisez pas une autre personne comme substitut pour une extension de table ou comme soutien additionnel.**
Un soutien instable pour la pièce peut causer le grippage de la lame ou le décalage de la pièce pendant l'opération de coupe vous tirant vous et l'aidant dans la lame en rotation.

- n) **La pièce découpée ne doit pas être bloquée ou appuyée par quelque procédé que ce soit contre la lame de scie en rotation.**
Si confinée, à savoir au moyen de butées longitudinales, la pièce découpée pourrait être enfoncée contre la lame et jetée violemment.
- o) **Utilisez toujours un dispositif de serrage ou de fixation conçu pour soutenir correctement les matériaux ronds comme les tiges ou les tubes.**
Les tiges ont tendance à rouler pendant la coupe, faisant « mordre » la lame et tirant la pièce avec votre main dans la lame.
- p) **Laissez la lame atteindre la pleine vitesse avant d'entrer en contact avec la pièce.**
Cela réduira le risque que la pièce soit jetée.
- q) **Si la pièce ou la lame est coincée, éteignez la scie à onglet. Attendez que toutes les pièces en mouvement s'arrêtent et débranchez la fiche de la source d'alimentation et/ou retirez la batterie. Puis travaillez pour retirer le matériau coincé.**
Si vous continuez à scier avec une pièce coincée, cela pourrait causer une perte de contrôle ou endommager la scie à onglet.
- r) **Après avoir fini la coupe, relâchez la gâchette, maintenez vers le bas la tête de scie et attendez que la lame s'arrête avant de retirer la pièce découpée.**
Approcher votre main de la lame en roue libre est dangereux.
- s) **Tenez fermement la poignée lorsque vous faites une coupe incomplète ou lorsque vous relâchez la gâchette avant que la tête de scie ne soit complètement sur la position basse.**
L'action de freinage de la scie peut faire que la tête de scie est tirée brusquement vers le bas, causant un risque de blessure.

RÈGLES DE SÉCURITÉ SPÉCIFIQUES POUR L'UTILISATION DE CET OUTIL ÉLECTRIQUE

AVERTISSEMENT :

Pour éviter tout risque de blessure, les consignes de sécurité spéciales suivantes devront être respectées lors de l'utilisation de l'outil.

CHOSSES À FAIRE

TOUJOURS OBSERVER LES CONSIGNES SUIVANTES POUR GARANTIR UNE UTILISATION EN TOUTE SÉCURITÉ :

- Bien lire le manuel et se familiariser avec les consignes de sécurité et les instructions d'utilisation de l'OUTIL ÉLECTRIQUE avant de l'utiliser.
- Retirer tous les matériaux d'emballage qui sont attachés ou connectés à l'outil avant d'essayer de le faire fonctionner.
- Toujours vérifier que l'OUTIL ÉLECTRIQUE est propre avant de l'utiliser.
- Toujours porter des vêtements bien ajustés et des chaussures antidérapantes (de préférence avec des doigts de pied en acier) et des lunettes de protection lorsqu'on utilise l'OUTIL ÉLECTRIQUE.
- Toujours manier l'OUTIL ÉLECTRIQUE avec soin. Si l'OUTIL ÉLECTRIQUE tombe ou qu'il heurte un objet dur, il risque de se déformer, de se fendiller ou autre dommage.
- Toujours cesser immédiatement d'utiliser la scie si l'on remarque quelque chose d'anormal.
- Toujours vérifier que les pièces sont toutes correctement montées et fixées avant d'utiliser l'outil.
- Pour le remplacement de la lame, toujours vérifier que le régime nominal de la nouvelle lame convient pour l'outil.
- Toujours mettre l'outil hors tension et attendre que la lame ait complètement cessé de tourner avant tout remplacement ou tout réglage.
- Toujours visser ou fixer la pièce sur la garde, pour qu'elle ne risque pas d'être éjectée de la table et de provoquer des blessures.
- Pendant une coupe d'onglet ou de biseau, toujours attendre que la lame ait complètement cessé de tourner avant de la relever.
- Toujours faire un essai avant d'utiliser la scie pour un nouvel usage.
- Toujours manipuler la scie avec soin lorsqu'on la démonte ou qu'on la monte.
- Toujours vérifier qu'il n'y a ni clou ni aucun autre corps étranger dans la pièce avant de commencer une coupe.
- Toujours éloigner les mains du trajet de lame.
- Toujours vérifier que la protection inférieure est en place avant d'utiliser la scie.
- Inspecter périodiquement les cordons d'alimentation.
- Le cas échéant, toujours vérifier que l'on utilise des cordons et des rallonges du type et de la longueur voulus avant de mettre l'outil en marche.
- Toujours vérifier que les événements d'aération du moteur sont complètement dégagés avant d'utiliser l'outil.
- Toujours attendre que le moteur ait atteint sa vitesse de régime avant d'entamer une coupe.

- Toujours maintenir les poignées sèches, propres et sans huile ni graisse. Tenir l'outil fermement pendant le travail.
- Toujours utiliser des supports extérieurs pour soutenir les pièces longues qui dépassent de la table de la scie à onglets combinée.
- Toujours commencer par s'assurer que la pièce est correctement fixée dans un étai.
- Le mode d'emploi fourni avec l'outil explique à l'utilisateur comment fixer l'outil sur la structure de support si, pendant un fonctionnement normal, l'outil a tendance à se renverser, à glisser, ou à se déplacer sur la surface de support.
- Assurez-vous que la machine soit stable avant chaque coupe.
- Si la lame de scie se coince, mettez la machine hors tension et maintenez la pièce jusqu'à ce que la lame de scie s'arrête complètement. Pour éviter tout recul, la pièce ne peut être déplacée qu'après l'arrêt complet de machine.
Remédiez à la cause du problème du blocage de la lame de scie avant de redémarrer la machine.
- Utilisez uniquement des lames de scie dont la vitesse maximale autorisée est égale ou supérieure à la vitesse à vide indiquée sur l'OUTIL ÉLECTRIQUE.
- Utilisez uniquement une lame de scie dont le diamètre correspond aux repères sur l'OUTIL ÉLECTRIQUE.
- Remplacez l'insert de table lorsqu'il est usé.

CHOSSES À NE PAS FAIRE

POUR GARANTIR UNE UTILISATION EN TOUTE SÉCURITÉ, NE JAMAIS VIOLER LES CONSIGNES SUIVANTES :

- Ne jamais utiliser l'OUTIL ÉLECTRIQUE si l'on ne comprend pas bien les instructions de ce manuel.
- Ne jamais s'éloigner de l'OUTIL ÉLECTRIQUE sans débrancher auparavant son cordon d'alimentation.
- Ne jamais utiliser l'OUTIL ÉLECTRIQUE quand on est fatigué, après avoir pris des médicaments ou consommé des boissons alcoolisées.
- Ne jamais utiliser l'OUTIL ÉLECTRIQUE pour des applications non spécifiées dans ce mode d'emploi.
- Ne jamais faire fonctionner l'outil si l'on porte des vêtements lâches, une cravate ou des bijoux, ou sans se couvrir les cheveux, pour éviter qu'ils ne se prennent dans les pièces mobiles.
- Ne jamais approcher les mains de la lame.
- Ne jamais toucher les pièces en mouvement, y compris la lame, pendant le fonctionnement de la scie.
- Ne jamais retirer les dispositifs de sécurité ni les protections de lame; l'utilisation de l'outil serait dangereuse sans ces pièces.
- Ne jamais verrouiller la protection inférieure ; toujours s'assurer qu'elle glisse en douceur avant d'utiliser l'outil.
- Ne jamais endommager le cordon d'alimentation de l'outil.
- Quand l'OUTIL ÉLECTRIQUE est branché, ne jamais tenter de le déplacer avec le doigt sur l'interrupteur de marche.
- Ne jamais utiliser l'OUTIL ÉLECTRIQUE si l'interrupteur de marche ne fonctionne pas correctement.
- Ne jamais utiliser l'OUTIL ÉLECTRIQUE si le logement en plastique ou la poignée sont déformés ou fendillés.
- Ne jamais utiliser l'OUTIL ÉLECTRIQUE à proximité d'un liquide ou d'un gaz inflammable, car les étincelles pourraient provoquer une explosion.
- Ne jamais nettoyer les composants en plastique avec des solvants car cela risquerait de dissoudre le plastique.
- Ne jamais faire fonctionner la scie si les protections inférieures ne sont pas toutes en place.
- Ne jamais relever la lame de la pièce tant que la lame n'est pas complètement arrêtée.
- Ne jamais amener les membres à l'intérieur de la ligne à côté du signe d'avertissement "⚠" quand l'outil fonctionne. Cela pourrait être dangereux.
- Ne jamais utiliser de lames de type abrasif avec cette scie.
- Ne jamais exposer à la pluie ni utiliser dans un endroit humide.
- Ne jamais couper de métaux ferreux ni de maçonnerie.
- Ne vous tenez pas debout dans une ligne avec la lame de scie à l'avant de la machine. Tenez-vous toujours à côté de la lame de scie. Cela protégera votre corps contre les risques de recul. N'approchez jamais vos mains, vos doigts et vos bras de la lame de scie.
- Ne croisez pas vos bras lors de l'utilisation du bras de l'outil.

AVERTISSEMENT : POUR VOTRE PROPRE SÉCURITÉ, LISEZ ATTENTIVEMENT CE MODE D'EMPLOI AVANT D'UTILISER LA SCIE À ONGLETS COMBINÉE

1. Toujours porter des lunettes de protection lorsqu'on utilise la scie à onglets combinée.
2. Toujours éloigner les mains du trajet de lame.
3. Ne jamais faire fonctionner la scie si les protections ne sont pas en place.
4. Ne jamais effectuer d'opération à la volée avec la scie à onglets combinée.
5. Ne jamais s'approcher de la lame.
6. Toujours mettre la scie hors tension et attendre que la lame ait complètement cessé de tourner avant de déplacer la pièce ou de modifier les réglages.
7. Toujours débrancher l'alimentation avant de remplacer la lame ou d'entretenir l'outil.
8. Le diamètre de la lame est de 10 po. (255mm).
9. La vitesse à vide est de 5000/min.

PIECES DE RECHANGE

Pour les réparations, utiliser exclusivement des pièces de rechange identiques. Les réparations devront être effectuées exclusivement par un centre de service après-vente metabo HPT agréé.

UTILISER LE CORDON DE RALLONGE APPROPRIÉ

Utiliser exclusivement un cordon de rallonge en bon état. Lorsqu'on utilise un cordon de rallonge, veiller à ce qu'il soit suffisamment lourd pour supporter le courant dont l'appareil aura besoin. Un cordon trop petit provoquera une chute de la tension de ligne, ce qui entraînera une perte de puissance et une surchauffe. Le tableau indique le calibre à utiliser en fonction de la longueur du cordon et de l'intensité nominale indiquée sur la plaque signalétique. En cas de doute, utiliser un calibre supérieur. Plus le numéro du calibre est petit, plus le cordon est lourd.

CALIBRE MINIMUM DES CORDONS

		Longueur Totale de Cordon en Pieds (Mètres)			
		0 – 25 (0 – 7.6)	26 – 50 (7.9 – 15.2)	51 – 100 (15.5 – 30.5)	101 – 150 (30.8 – 45.7)
Intensité nominale		CALIBRE			
Supérieure à	Non supérieure à				
0 – 6		18	16	16	14
6 – 10		18	16	14	12
10 – 12		16	16	14	12
12 – 16		14	12	Non recommandé	

⚠ AVERTISSEMENT :

Eviter tout risque de choc électrique. Ne jamais utiliser l'outil avec un cordon électrique ou un cordon de rallonge endommagé ou dénudé. Inspecter régulièrement les cordons électriques. Ne jamais utiliser dans l'eau ou à proximité d'eau, ni dans un environnement susceptible de provoquer un choc électrique.

DOUBLE ISOLATION POUR UN FONCTIONNEMENT PLUS SUR

Pour assurer un fonctionnement plus sûr de cet outil électrique, metabo HPT a adopté une conception à double isolation. "Double isolation" signifie que deux systèmes d'isolation physiquement séparés ont été utilisés pour isoler les matériaux conducteurs d'électricité connectés à l'outil électrique à partir du cadre extérieur manipulé par l'utilisateur. C'est pourquoi, le symbole "⏏" ou les mots "Double insulation" (double isolation) apparaissent sur l'outil électrique ou sur la plaque signalétique.

Bien que ce système n'ait pas de mise à la terre extérieure, il est quand même nécessaire de suivre les précautions de sécurité électrique données dans ce mode d'emploi, y compris de ne pas utiliser l'outil électrique dans un environnement humide.

Pour garder le système de double isolation effectif, suivre ces précautions :

- * Seuls les CENTRES DE SERVICE AUTORISES metabo HPT peuvent démonter et remonter cet outil électrique et uniquement des pièces de rechange metabo HPT garanties d'origine doivent être utilisées.
- * Nettoyer l'extérieur de l'outil électrique uniquement avec un chiffon doux légèrement imbibé d'une solution savonneuse et essuyer minutieusement.
- * Ne jamais utiliser de solvants, d'essence ou de diluants sur les parties en plastique; sinon le plastique risquerait de se dissoudre.

**CONSERVER CES INSTRUCTIONS
ET
LES METTRE A LA DISPOSITION DES AUTRES UTILISATEURS
ET
PROPRIETAIRES DE CET OUTIL !**

UTILISATION ET ENTRETIEN

REMARQUE :

Les informations contenues dans ce manuel sont destinées à vous aider à utiliser et à entretenir l'outil électrique en toute sécurité. Certaines illustrations de ce manuel peuvent montrer des détails ou des fixations qui diffèrent de ceux de votre outil électrique. Par ailleurs, dans certaines illustrations, les protections et les caches ont été intentionnellement supprimés à des fins d'illustration.

NOM DES PIÈCES

MODÈL C10FCG • C10FCG(S)

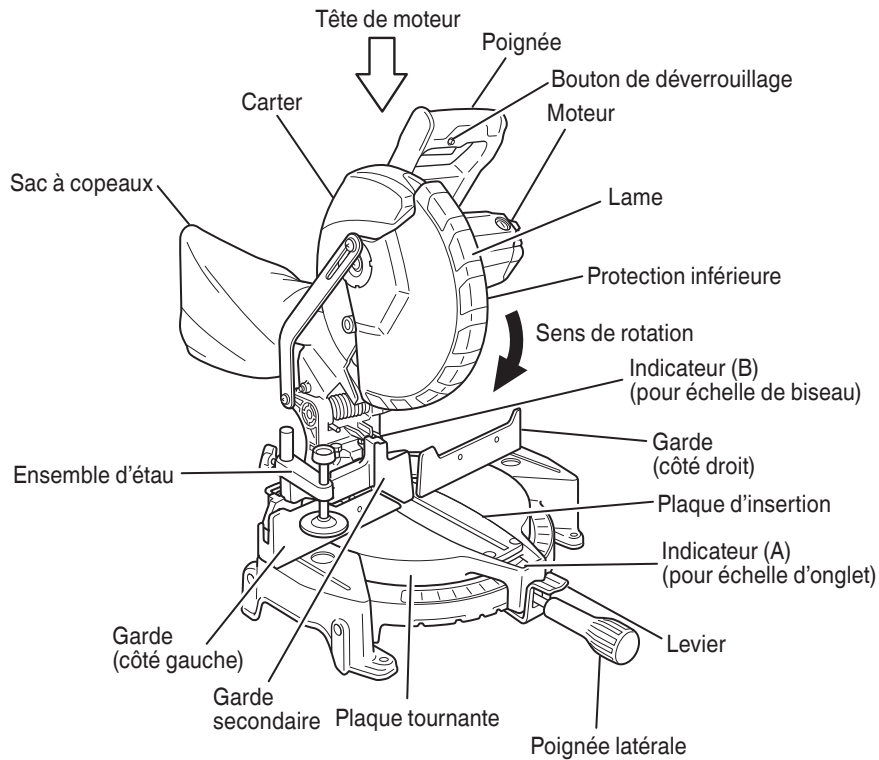


Fig. 1

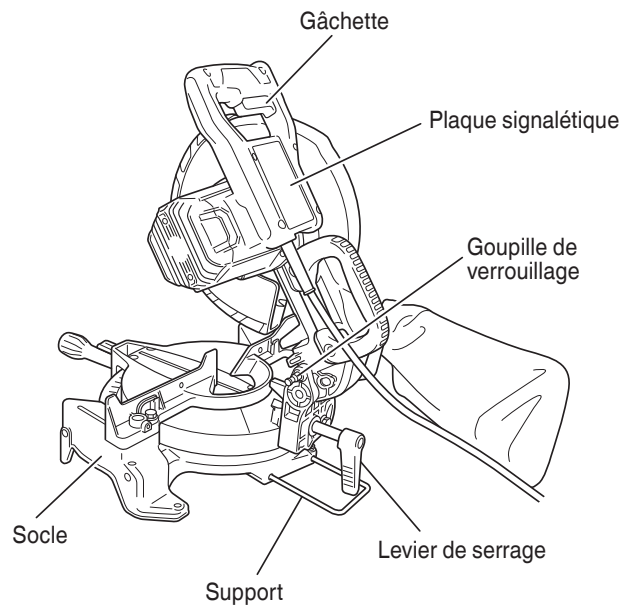


Fig. 2

SPÉCIFICATIONS

Article	Modèle	C10FCG • C10FCG(S)		
Moteur	Type	Moteur à commutateur série		
	Alimentation	Courant alternatif monophasé 60 Hz		
	Tension (volts)	120		
	Courant à pleine charge (Amp)	15		
Lame applicable	Dia. extérieur 10 po. (255mm) Dia. d'orifice 5/8 po. (15.9mm) Incision maximale de la scie 7/64" (2.8 mm)			
Vitesse à vide	5000 tr/min			
Dimension de coupe max.	Coupe d'onglet	Tête	Plaque tournante	Dimension de coupe max.
		0	0	Hauteur max. 2-5/16 po. (59mm) Largeur max. 5-21/32 po. (144mm) ou Hauteur max. 3-1/2 po. (89mm) Largeur max. 3-31/32 po. (101mm)
	Coupe de biseau	0	45° à gauche	Hauteur max. 2-5/16 po. (59mm) Largeur max. 4 po. (102mm)
		45° à gauche	0	Hauteur max. 1-5/8 po. (41mm) Largeur max. 5-21/32 po. (144mm)
	Coupe mixte	45° à gauche	45° à gauche	Hauteur max. 1-5/8 po. (41mm) Largeur max. 4 po. (102mm)
Plage de coupe d'onglet	0° – 52° à gauche 0° – 52° à droite			
Plage de coupe de biseau	0° – 45° à gauche			
Plage de coupe mixte	0° – 45° à gauche (biseau), 0° – 45° à gauche et à droite (onglet)			
Poids net	22 lbs. (10 kg)			
Cordon	Câble à 2 conducteurs de 6 ft. (1.8 m)			

ACCESSOIRES

⚠ AVERTISSEMENT :

Les accessoires pour cet outil électrique sont mentionnés dans ce mode d'emploi.
L'utilisation de tout autre attachement ou accessoire peut être dangereuse et peut causer des blessures ou des dommages mécaniques.

ACCESSOIRES STANDARD

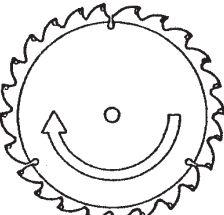
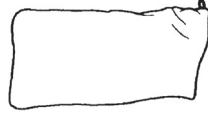
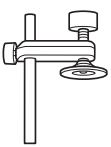

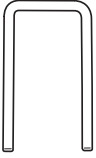
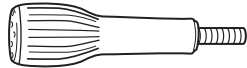
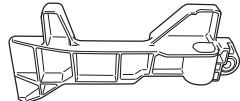
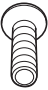


<p>① lame TCT de 10 po. (255mm) (1 pièce) (Pour bois)</p>  <p>(No. de dents 24 No. de code 318963)</p>	<p>② Sac à copeaux (1 pièce)</p>  <p>Pour l'utilisation, voir page 28.</p>	<p>③ Ensemble d'étau (1 pièce)</p>  <p>Pour l'utilisation, voir page 26.</p>	<p>④ Clé à barre à six pans de 5mm</p> 	<p>⑤ Support (1 pièce)</p> 
<p>⑥ Poignée latérale (1 pièce)</p> 	<p>⑦ Garde secondaire (1 pièce)</p> 	<p>⑧ Vis à tête plate (1 pièce)</p> 	<p>⑨ Écrou de nylon M6 (1 pièce)</p> 	<p>⑩ Plaque (A) (1 pièce)</p> 

Fig. 3

ACCESSOIRES EN OPTION.....vendus séparément

- ① Support (No. de code 974562)
- ② Vis à métaux de 6 mm (No. de code 949258)
- ③ Support de rallonge et butée (No. de code 322710)
- ④ Lame de scie de 255 mm (10 po.) Lame de scie TCT pour coupe de bois (Nombre total de dents : 60) (No. de code 976472)
- ⑤ Lame de scie de 255 mm (10 po.) Lame de scie TCT pour coupe d'aluminium (Nombre total de dents : 100) (No. de code 319658)
- ⑥ Ensemble d'étau de corniche complexe (No. de code 322712) (Comprend la butée (L) de corniche complexe)
- ⑦ Butée (L) de corniche complexe (No. de code 322713)
- ⑧ Butée (R) de corniche complexe (No. de code 322714)

REMARQUE :

Les accessoires sont sujets à changement sans obligation de la part de metabo HPT.

APPLICATIONS

Cadres en bois et en aluminium.

PRÉPARATION AVANT L'UTILISATION

Avant de mettre l'outil électrique en service, effectuer les préparations suivantes :

1. Retirer tous les matériaux d'emballage qui sont attachés ou connectés à l'outil avant d'essayer de le faire fonctionner.
2. Installation

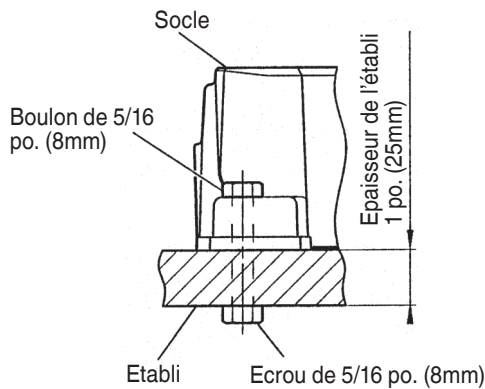
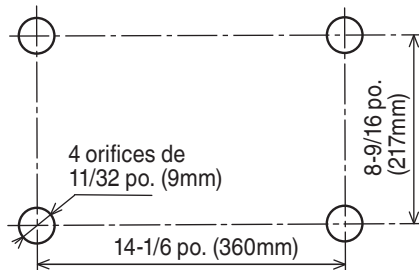


Fig. 4

Fixer l'outil électrique sur un établi horizontal et de niveau conformément à la Fig. 4.

Sélectionner des boulons d'un diamètre 5/16 po. (8mm) dont la longueur convient pour l'épaisseur de l'établi.

La longueur des boulons devra être d'au moins 1-3/8 po. (35mm) plus l'épaisseur de l'établi.

Par exemple, utiliser des boulons de 2-11/32 po.(60mm) ou plus avec un établi de 1 po. (25mm) d'épaisseur.

Le support fixé à l'arrière du socle aide à stabiliser l'outil électrique.

Réglage du support, levier de serrage:

Attachez le support compris dans la position montrée sur la figure 5 et ajustez le support jusqu'à ce que sa surface inférieure entre en contact avec la surface de l'établi. Après l'ajustement serrez solidement le boulon de 6 mm. Desserrez la vis M6 x 20 sur le levier de serrage et fixez-le dans une position où le levier de serrage peut être utilisé facilement.

ATTENTION :

Fixez l'outil électrique à un établi avec des boulons (6 mm), et si la plaque tournante a pivoté de 45 degrés ou plus, faire attention à ce que la main qui tient la poignée latérale de l'outil ne soit pas

prise entre la poignée latérale et les têtes de boulon (6 mm). Cela pourrait provoquer des blessures.

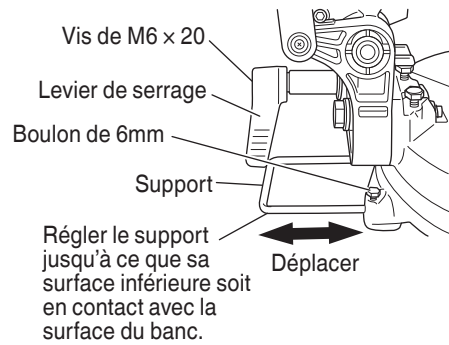


Fig. 5-a

Installer la poignée latérale

Retirer le boulon M10 et installer la poignée latérale fournie avec cette unité.

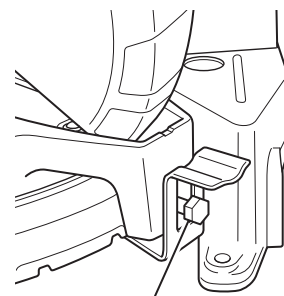


Fig. 5-b

3. Libérer la goupille de verrouillage
Quand l'outil électrique quitte nos usines, ses pièces principales sont fixées à l'aide d'une goupille de verrouillage. Déplacer légèrement la poignée de façon à dégager la goupille de verrouillage.

REMARQUE :

La goupille de verrouillage se dégagera plus facilement et plus sûrement si l'on abaisse légèrement la poignée.

La position verrouillée de la goupille de verrouillage ne doit servir que pour le transport et le remisage.

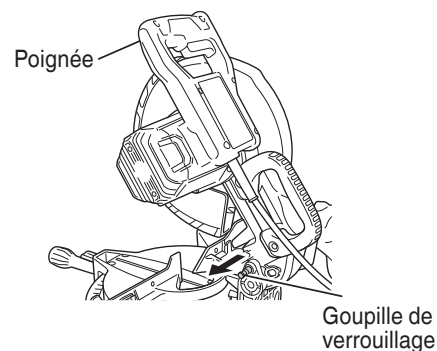


Fig. 6

4. Installer le sac à copeaux, le support, la butée et les étaux (Le support et la butée sont des accessoires en option.)
Fixer le sac à copeaux et l'ensemble d'étau comme indiqué sur la Fig. 1 et Fig. 2.

AVANT L'UTILISATION

1. S'assurer que la source d'alimentation convient pour l'outil.

AVERTISSEMENT :

Ne jamais raccorder l'outil électrique si l'alimentation secteur n'est pas de la tension spécifiée sur la plaque signalétique de l'outil. Ne jamais raccorder l'outil à une source de courant continu.

- Vérifier que la gâchette est sur OFF.

AVERTISSEMENT :

Si l'on raccorde le cordon d'alimentation alors que la gâchette est enclenchée, l'outil se mettra brusquement en marche, ce qui peut provoquer un grave accident.

- Vérifier s'il y a des défauts visibles sur la lame. S'assurer qu'il n'y a ni fissures ni dommages visibles sur la lame.
- Vérifier que la lame est solidement fixée sur l'outil électrique. Serrez le boulon sur la broche de la lame de scie avec la clé hexagonale de 5 mm fournie pour maintenir en place la lame de scie. Pour les détails, voir Fig. 27-a, Fig. 27-b, Fig. 27-c et Fig. 27-d dans la section "INSTALLATION ET RETRAIT DE LA LAME".
- Vérifier que la protection inférieure fonctionne correctement. La protection inférieure a pour but de protéger l'opérateur contre tout contact avec la lame de scie pendant le fonctionnement de l'outil. Toujours vérifier que la protection inférieure se déplace en douceur et qu'elle recouvre la lame de scie.

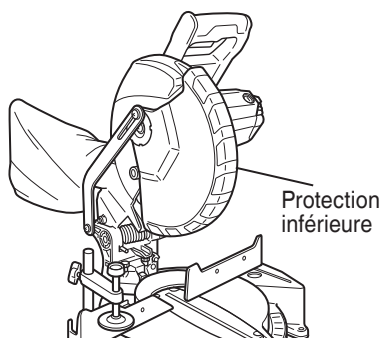


Fig. 7

AVERTISSEMENT :

NE JAMAIS FAIRE FONCTIONNER L'OUTIL ÉLECTRIQUE si le carter de sécurité ne se déplace pas en souplesse.

- Vérifier la position du verrou d'axe avant d'utiliser l'outil. Avant d'installer la lame, vérifier que le verrou d'axe est revenu sur sa position rentrée avant d'utiliser l'outil électrique (voir Fig. 27-b).
- Vérifier la prise d'alimentation. Pour éviter toute surchauffe, arrêt accidentel ou fonctionnement intermittent, vérifier que la fiche du cordon d'alimentation rentre à fond dans la prise secteur et qu'elle ne ressort pas après l'insertion. Réparer ou remplacer la fiche si elle est défectueuse.
- Vérifier que le cordon d'alimentation de l'outil n'est pas endommagé. Réparer ou remplacer le cordon si l'on constate un dommage.
- Lunette de protection. Toujours porter des lunettes de protection avec protections latérales qui répondent aux exigences de la norme ANSI Z87.1. Les lunettes ordinaires n'assurent pas une protection suffisante parce que les verres ne sont pas faits en verre de sécurité résistants aux chocs.

AVERTISSEMENT :

Utiliser l'outil sans porter des lunettes de protection peut entraîner des blessures graves.

- Frein électrique. Cet outil est équipé d'un frein électrique qui arrêtera généralement la lame 5 secondes après que la gâchette soit relâchée. De temps en temps, il y aura un décalage entre le moment où le frein est engagé et l'arrêt complet de la lame qui se traduira éventuellement par un plus long temps d'arrêt. En de rares occasions, le frein pourrait ne pas s'engager du tout et la lame de la scie continuera alors à tourner encore et ce jusqu'à son arrêt. Si le frein ne parvient pas à s'engager à maintes reprises, appuyer et relâcher la gâchette pour activer et désactiver l'outil 4 ou 5 fois. Si le frein ne s'engage toujours pas, faire réparer l'outil dans un centre de réparation agréé metabo HPT. Toujours s'assurer que la lame de la scie s'est complètement arrêtée avant de la soulever de la machine.

Le frein ne remplace pas la protection intérieure si elle fonctionne correctement. Contrôler le fonctionnement de la protection intérieure avant chaque utilisation. Il y a un risque de blessures graves si la protection inférieure ne se déplace pas sans accroc et couvre la lame correctement.

AVERTISSEMENT :

Faire attention à la réactivité de la tête de moteur (Fig. 1), lorsque le frein est activé. Le freinage provoque un mouvement brusque vers le bas de la tête de moteur et l'utilisateur doit s'attendre à cette réaction, surtout lorsque la gâchette est relâchée avant que la lame soit complètement rentrée. À défaut de se familiariser avec cela, et d'y être préparé, les caractéristiques de fonctionnement de l'outil peuvent provoquer des blessures graves.

APRÈS AVOIR BRANCHÉ LA FICHE D'ALIMENTATION DANS UNE SOURCE D'ALIMENTATION APPROPRIÉE, VÉRIFIER LE FONCTIONNEMENT DE L'OUTIL COMME SUIT :

- Marche d'essai. Après avoir vérifié qu'il n'y a personne derrière, mettre l'outil électrique en marche et vérifier qu'il n'y a pas d'anomalie de fonctionnement avant d'effectuer une coupe.
- Vérifier la stabilité de rotation de la lame. Pour assurer des coupes précises, faire tourner la lame et vérifier qu'il n'y a pas de flèche pour s'assurer que la lame ne présente pas d'instabilité évidente ; sinon, cela risque de provoquer des vibrations et un accident.

AVANT LA COUPE

- Installer le garde secondaire. Pour effectuer une coupe à angle direct ou d'une coupe à angle, utiliser le guide auxiliaire. Le guide auxiliaire peut être monté sur le côté droit du guide auxiliaire. Placez la plaque attachée de la façon montrée dans la figure 8-c, insérez l'arête dans la fente de la garde et insérez simultanément une vis à tête plate M6 dans la garde, la garde secondaire et la plaque, puis serrez l'écrou de nylon M6 avec la clé à douille de 10 mm fournie jusqu'à ce que la garde secondaire puisse tourner facilement. Ensuite, on pourra effectuer une coupe du matériau en toute stabilité, avec une large face de dépouille.

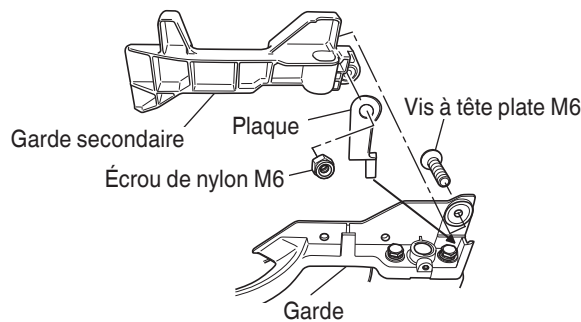


Fig. 8

- Angle oblique. Quand l'outil quitte nos usines, il est réglé pour 0°, un angle de coupe de biseau de 45° à gauche avec le boulon de 8mm (A) et le boulon de 8mm (B). Pour modifier le réglage, changer la hauteur du boulon de 8mm (A) et du boulon de 8mm (B) en les tournant. (Fig. 9-a , Fig. 9-b)

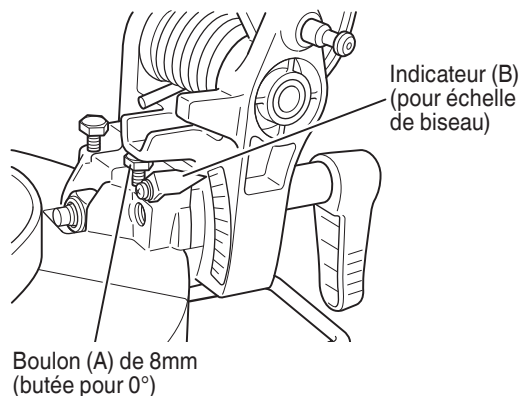


Fig. 9-a

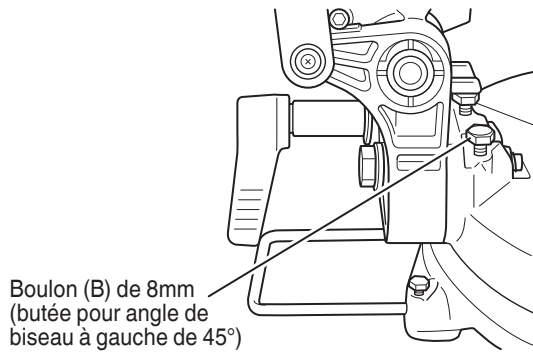


Fig. 9-b

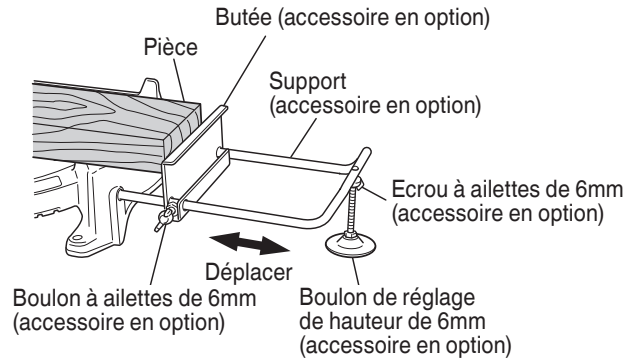


Fig. 12

3. Fixation de la pièce

AVERTISSEMENT :
Toujours utiliser un dispositif de fixation ou l'étau pour fixer la pièce à la garde; sinon, la pièce risque d'être éjectée de la table et de blesser quelqu'un.

4. Installation du support ... (Accessoire en option)
Le support permet de fixer et de stabiliser les pièces longues pendant la coupe.
- Comme l'indique la Fig. 10, installer le support dans les trous sur le côté du socle et l'attacher avec une vis à métaux de 6 mm (Accessoire en option).

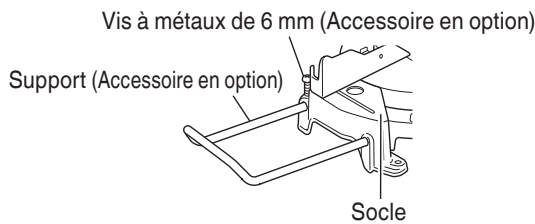


Fig. 10

5. Installation des supports ... (Accessoire en option)
Les supports permettent de fixer et de stabiliser les pièces longues pendant la coupe.
- (1) Comme indiqué à la Fig. 11, utiliser une équerre en acier pour aligner le bord supérieur des supports sur la surface du socle. Desserrer l'écrou à ailettes de 6mm. Tourner un boulon de réglage de hauteur de 6mm, et régler la hauteur du support.
- (2) Après le réglage, serrer à fond l'écrou à ailettes et fixer le support avec le boulon à ailettes de 6mm (accessoire en option). Si la longueur du boulon de réglage de la hauteur de 6mm est insuffisante, insérer une plaque mince dessous. S'assurer que l'extrémité du boulon de réglage de la hauteur de 6mm ne dépasse pas du support.

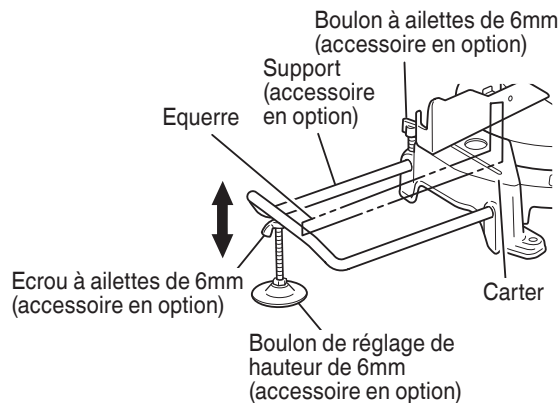


Fig.11

6. Butée pour la précision de coupe ... (La butée et le support sont des accessoires en option.)
La butée facilite la précision des coupes continues sur des longueurs de 11 po. à 17-3/4 po. (280 à 450mm). Pour installer la butée, la fixer au support avec le boulon à ailettes de 6 mm comme indiqué sur la Fig. 12.

APPLICATIONS PRATIQUES

AVERTISSEMENT :

- * Pour éviter tout risque de blessure, ne jamais retirer ni installer la pièce sur la table pendant que l'outil fonctionne.
- * Ne jamais amener les membres à l'intérieur de la ligne à côté du signe d'avertissement pendant que l'outil fonctionne. Cela pourrait être dangereux (voir Fig. 13).

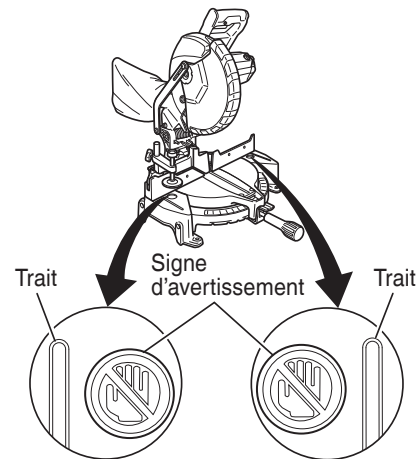


Fig. 13

1. Fonctionnement de l'interrupteur
L'outil ne démarre que si le bouton de déverrouillage est enfoncé pendant que la gâchette est tirée vers l'arrière.
Le bouton de déverrouillage peut être engagé en appuyant dessus depuis la gauche.
Une fois la gâchette activée, la lame de scie continue de fonctionner tant que vous appuyez sur la gâchette, même si vous relâchez le bouton de déverrouillage.
Lorsque la gâchette est relâchée, le bouton de déverrouillage se désengage automatiquement pour empêcher le démarrage involontaire du moteur.

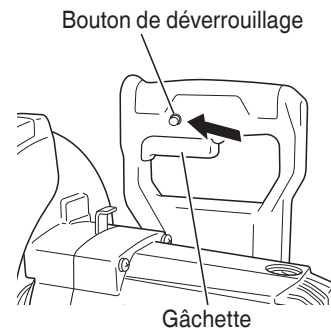


Fig. 14

AVERTISSEMENT:
Ne jamais verrouiller le bouton de déverrouillage en position enfoncée.
Si la gâchette est tirée vers l'arrière, l'outil se mettra soudainement en marche, ce qui peut entraîner des blessures.

2. Utilisation de l'ensemble d'étau (Accessoire standard)
 - (1) L'ensemble de l'étau peut être monté sur le côté gauche du guide ou sur le côté droit du guide en desserrant le boulon à oreille 6 mm (A).
 - (2) Le support de vis se relève ou s'abaisse en fonction de la hauteur de la pièce en desserrant le boulon à ailettes de 6mm (B). Après le réglage, resserrer fermement le boulon à ailettes de 6mm (B) et fixer le support de vis.
 - (3) Tourner le bouton supérieur et fixer solidement la pièce en place (Fig. 15).

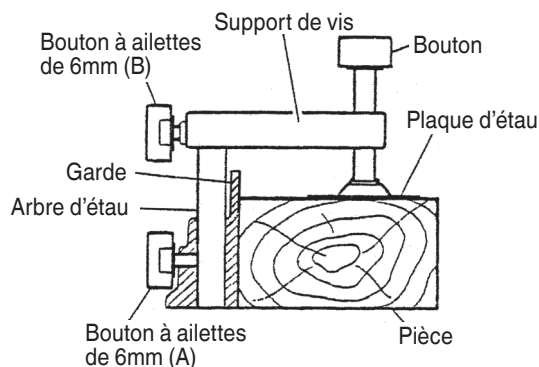


Fig. 15

AVERTISSEMENT :
Toujours utiliser un dispositif de fixation ou l'étau pour fixer solidement la pièce à la garde ; sinon, la pièce risque d'être éjectée de la table et de blesser quelqu'un.

ATTENTION :
Toujours vérifier que la tête du moteur (voir Fig. 1) n'entre pas en contact avec l'ensemble d'étau quand on l'abaisse pour la coupe. Si ce risque existe, desserrer légèrement le bouton à ailettes de 6 mm et déplacer l'ensemble d'étau jusqu'à un point où il n'entrera pas en contact avec la lame.

3. Coupe
 - (1) Comme indiqué à la Fig. 16, la largeur de la lame est la largeur de coupe. En conséquence, glisser la pièce vers la droite (vue de la position de l'opérateur) pour obtenir la longueur ⓐ, et sur la gauche pour obtenir la longueur ⓑ.
 - (2) Quand la lame a atteint sa vitesse maximale, abaisser doucement la poignée jusqu'à ce que la lame approche de la pièce.
 - (3) Quand la lame touche la pièce, appuyer progressivement sur la poignée pour couper la pièce.
 - (4) Quand la pièce est coupée à la longueur voulue, mettre l'outil électrique hors tension et attendre que la lame soit complètement arrêtée avant de relever la poignée en position complètement rentrée.

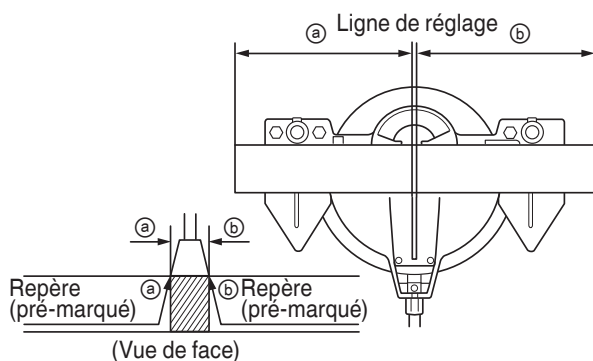


Fig. 16

AVERTISSEMENT :

- * Vérifier que l'interrupteur à gâchette est coupé (OFF) et que la fiche d'alimentation est débranchée de la prise secteur quand on ne se sert pas de l'outil.
- * Lorsqu'on coupe la pièce, éviter de couper un tronçon plus mince que l'écart entre le bord de coupe et la lame de scie. Sinon, le tronçon coupé risque de pénétrer entre le bord de coupe et la lame de scie et de s'éparpiller, provoquant des blessures.

ATTENTION :

- * Une pression accrue sur la poignée n'augmentera pas la vitesse de coupe. Au contraire, une pression excessive risque de surcharger le moteur et/ou de réduire le rendement.
- * Si l'on appuie sur la poignée avec une force excessive ou avec une force latérale, la lame de scie risque de vibrer pendant l'opération de coupe et de laisser des marques de coupe sur la pièce, ce qui réduira la qualité de la coupe. En conséquence, appuyer doucement et délicatement sur la poignée.

4. Procédure de coupe d'onglet
 - (1) Desserrer la poignée latérale et appuyer sur le levier pour les butées d'angle. Cela fait, régler la plaque tournante jusqu'à ce que l'indicateur soit aligné avec le réglage désiré sur l'échelle de coupe d'onglet (Fig. 17).
 - (2) Resserrer la poignée latérale pour fixer la plaque tournante à la position voulue.

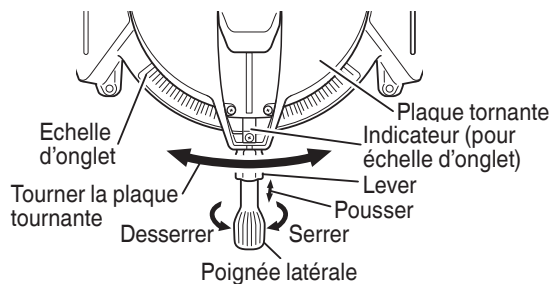


Fig. 17

REMARQUE :

- * Des crans positifs sont prévus à droite et à gauche du réglage central de 0°, à 15°, 22.5°, 31.6° et 45°. Vérifier que l'échelle d'onglet et l'extrémité de l'indicateur sont alignés correctement.
- * Le fonctionnement de la scie avec l'échelle d'onglet et l'indicateur non alignés, ou avec la poignée latérale insuffisamment serrée, donnera une mauvaise précision.

ATTENTION :
Ne jamais retirer la poignée latérale d'onglet; il serait dangereux d'utiliser l'outil sans elle. Pour éviter tout risque d'accident ou de blessure, toujours serrer la poignée de coupe d'onglet à fond.

5. Procédure de coupe de biseau
 - (1) Desserrer le levier de serrage et incliner la lame vers la gauche.
 - (2) Régler l'angle de biseau à l'angle voulu tout en regardant l'échelle d'angle de biseau et l'indicateur, puis fixer le levier de serrage.

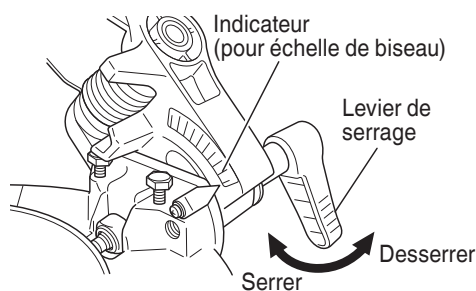


Fig. 18

AVERTISSEMENT :
Quand on fixe la pièce sur le côté gauche ou droit de la lame, la section tronçonnée courte vient reposer sur le côté droit ou gauche de la lame. Toujours couper l'alimentation et attendre que la lame se soit complètement arrêtée avant de relever la poignée de la pièce. Si on relève la poignée alors que la lame tourne toujours, la section tronçonnée se coincera contre la lame et des fragments s'éparpilleront, ce qui serait dangereux. Si l'on interrompt la coupe de biseau à mi-chemin, recommencer la coupe après avoir ramené la tête du moteur à sa position d'origine. Si l'on commence à mi-chemin sans avoir ramené la tête, le carter de sécurité se coincera dans l'encoche de coupe de la pièce et il touchera la lame.

6. Procédures de coupe mixte
La coupe mixte s'effectue en suivant les instructions de 4 et 5 ci-dessus.
Pour les dimensions maximales de la coupe mixte, voir le tableau des "SPÉCIFICATIONS" à la page 22.

⚠ ATTENTION :
Pour une coupe mixte, toujours fixer la pièce sur le côté droit. Ne jamais faire tourner la table vers la droite pour une coupe mixte car la lame de scie pourrait entrer en contact avec le crampon ou l'étau qui fixe la pièce et provoquer des blessures physiques ou des dommages.

7. Procédures de coupe de corniche complexe
La Fig. 19 montre deux types de corniche complexe courants ayant des angles de 38° et de 45°.
Pour les montures de corniche complexe, voir la Fig. 20.

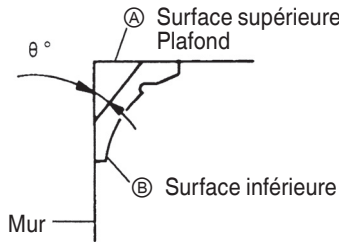


Fig. 19

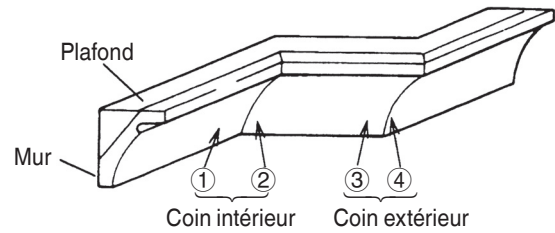


Fig. 20

Le tableau ci-dessous montre les réglages d'angle d'onglet et d'angle de biseau qui conviennent le mieux pour les deux types de corniche complexe.

REMARQUE :
A des fins de commodité, des crans positifs sont prévus à la fois pour les positions de réglage d'onglet (31.6° à gauche et à droite).

Réglage d'une coupe d'onglet
Si la plaque tournante est réglée sur l'un des angles décrits, déplacer la poignée latérale de réglage de la plaque tournante légèrement vers la droite ou vers la gauche pour stabiliser la position et aligner correctement l'échelle d'onglet et l'extrémité de l'indicateur avant de commencer le travail.

Réglage d'une coupe de biseau
Déplacer la poignée de la section en biseau vers la gauche et s'assurer que la position est stable et que l'échelle d'angle de biseau et l'extrémité de l'indicateur sont soigneusement alignés. Cela fait, serrer le levier de verrouillage.

Type de corniche complexe	Pour découper une corniche complexe aux positions ① et ④ de la Fig. 20		Pour découper une corniche complexe aux positions ② et ③ de la Fig. 20	
	Réglage d'angle d'onglet	Réglage d'angle de biseau	Réglage d'angle d'onglet	Réglage d'angle de biseau
Type 45°	35.3° vers la droite (repère ↓)	30° vers la gauche (repère ↓)	35.3° vers la gauche (repère ↓)	30° vers la gauche (repère ↓)
Type 38°	31.6° vers la droite (repère ↓)	33.9° vers la gauche (repère ↓)	31.6° vers la gauche (repère ↓)	33.9° vers la gauche (repère ↓)

- (1) Réglage de coupe en corniche complexe aux positions ① et ④ de la Fig. 20 (voir Fig. 21 ; incliner la tête vers la gauche) :

- ① Tourner la plaque tournante vers la droite et régler l'angle d'onglet comme suit :
 - * Pour des corniches complexes de type 45° : 35.3° (repère ↓)
 - * Pour des corniches complexes de type 38° : 31.6° (repère ↓)
 - ② Incliner la tête vers la gauche et régler l'angle de biseau comme suit :
 - * Pour des corniches complexes de type 45° : 30° (repère ↓)
 - * Pour des corniches complexes de type 38° : 33.9° (repère ↓)
 - ③ Disposer la corniche complexe de façon que la surface inférieure (A sur la Fig. 19) touche la garde comme indiqué à la Fig. 23.
- (2) Réglage de coupe en corniche complexe aux positions ② et ③ de la Fig. 20 (voir Fig. 22 ; incliner la tête vers la gauche) :

- ① Tourner la plaque tournante vers la droite et régler l'angle d'onglet comme suit :
 - * Pour des corniches complexes de type 45° : 35.3° (repère ↓)
 - * Pour des corniches complexes de type 38° : 31.6° (repère ↓)
- ② Incliner la tête vers la gauche et régler l'angle de biseau comme suit :
 - * Pour des corniches complexes de type 45° : 30° (repère ↓)
 - * Pour des corniches complexes de type 38° : 33.9° (repère ↓)
- ③ Disposer la corniche complexe de façon que la surface supérieure (B sur la Fig. 19) touche la garde comme indiqué à la Fig. 24.

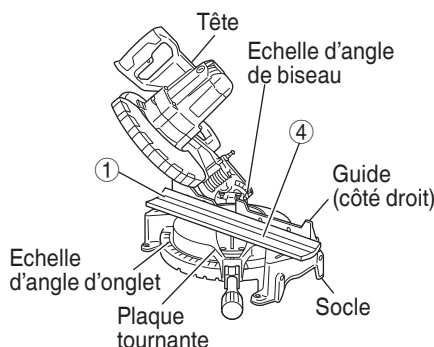


Fig. 21

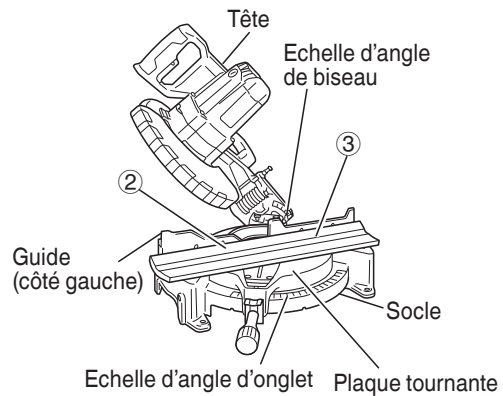


Fig. 22

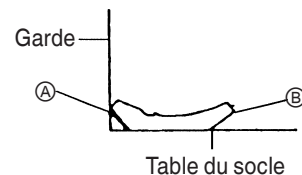


Fig. 23

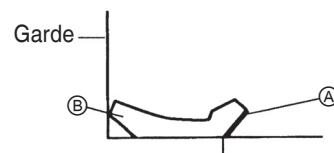


Fig. 24

Méthode de coupe des moulures de corniche sans inclinaison de la lame de scie

- (1) Les butées (L) et (R) de corniche complexe permettent des coupes plus faciles de corniches complexes sans inclinaison de la lame de scie. Les installer sur la base, de chaque côté, comme le montre la Fig. 25-a. Après les avoir introduits, serrer les boutons de boulonnage de 6mm sur les butées de corniche complexe.
- [Accessoires en option utilisés]
- Ensemble d'étau de corniche complexe (comprend la butée de corniche complexe (L))
 - Butée de corniche complexe (L)
 - Butée de corniche complexe (R)

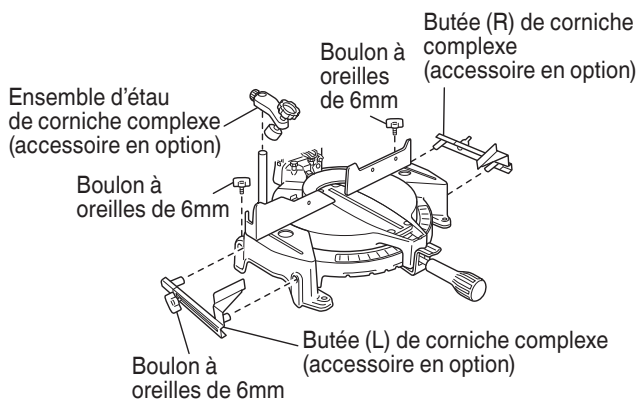


Fig. 25-a

- (2) L'étau pour moulure couronnée (B) (accessoire en option) peut être monté sur le côté gauche du guide ou sur le côté droit du guide. Il peut s'adapter à l'inclinaison de la corniche complexe et peut être appuyé vers le bas. Tourner le bouton supérieur, autant que nécessaire, pour fixer soigneusement la moulure de corniche en position. Pour lever ou abaisser l'ensemble d'étau, desserrer tout d'abord le boulon de bouton de 6mm. Après réglage de la hauteur, serrer soigneusement le boulon à oreilles de 6mm puis tourner le bouton supérieur, autant que nécessaire, pour fixer soigneusement la moulure de corniche en position (se reporter à la Fig. 25-b).

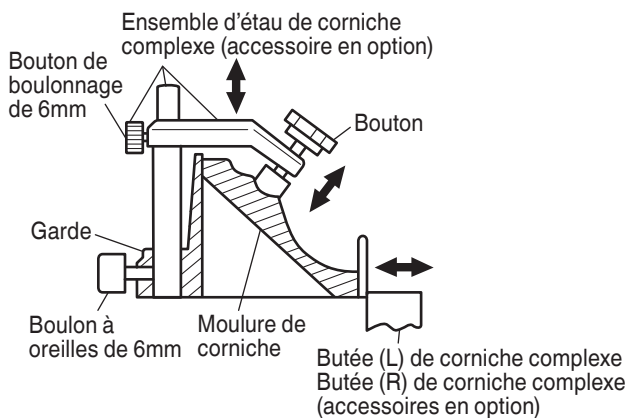


Fig. 25-b

⚠ AVERTISSEMENT :
 Maintenir ou serrer dans un étau la moulure de corniche contre la garde; dans le cas contraire, la moulure de corniche peut être projetée hors de la table et provoquer une blessure corporelle. Ne pas faire de coupe en biseau. L'outil ou la lame de scie peuvent venir en contact avec la garde secondaire, ce qui peut provoquer une blessure.

⚠ ATTENTION :
 Toujours s'assurer que la tête du moteur (se reporter à la Fig. 1) ne vient pas en contact avec l'ensemble d'étau de corniche complexe quand il est abaissé pour la coupe. S'il y a un risque quelconque qu'il en soit ainsi, desserrer le bouton de boulonnage de 6mm et déplacer l'ensemble d'étau de corniche complexe de telle manière qu'il ne puisse pas y avoir de contact avec la lame de scie.

Positionner la corniche complexe de manière que le BORD DE CONTACT DE MUR soit contre la garde de guidage et que le BORD DE CONTACT DE PLAFOND soit contre les butées de corniche complexe, comme le montre la Fig. 25-b.

Régler les butées de corniche complexe en fonction de la taille de la corniche complexe.

Serrer le boulon à oreilles de 6mm pour maintenir les butées de corniche complexe.

8. Coupe de matériaux qui se déforment facilement, par exemple une feuille d'aluminium

Les matériaux comme l'aluminium en feuille se déforment facilement quand ils sont serrés trop fort dans un étau. Cela ne permettra pas une bonne coupe et risque de provoquer une surcharge du moteur.

Pour couper ce genre de matériaux, utiliser une planche de bois pour protéger la pièce comme indiqué à la Fig. 26-a. Placer la planche de bois près de la section de coupe.

Pour couper de l'aluminium, enduire la lame d'une huile de coupe (non-combustible) pour obtenir une coupe régulière et un bon fini.

En outre, dans le cas d'une pièce en U, utiliser un morceau de bois comme le montre la Fig. 26-b pour réaliser la stabilité dans le sens latéral, le fixer près de la coupe de la pièce et le serrer en utilisant l'étau et un serre-joint disponible sur le marché.

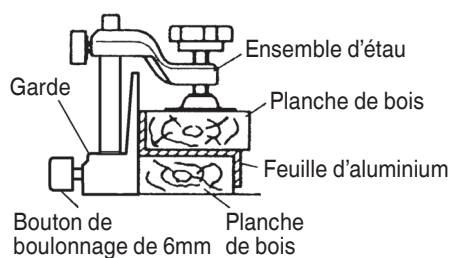


Fig. 26-a

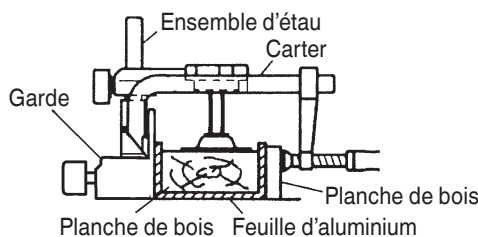


Fig. 26-b

9. Utilisation du sac à copeaux (Accessoire standard)
- (1) Si le sac à copeaux est plein, les copeaux sortent du sac quand la lame tourne. Vérifier le sac à copeaux périodiquement et le vider avant qu'il ne soit plein.
- (2) Lors d'une coupe de biseau ou d'une coupe mixte, fixer le sac à copeaux à angle droit sur la surface du socle comme indiqué à la Fig. 27.

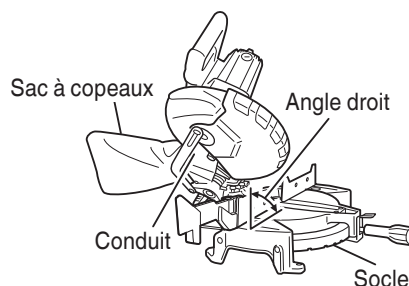


Fig. 27

⚠ ATTENTION :
 Vider le sac à copeaux fréquemment pour éviter que le conduit et le carter de sécurité ne soient bouchés. Les copeaux s'accumulent plus rapidement lors d'une coupe de biseau.

INSTALLATION ET RETRAIT DE LA LAME

⚠ AVERTISSEMENT :

- * Pour éviter tout risque d'accident ou de blessure, toujours couper l'interrupteur à gâchette et débrancher la fiche de la prise secteur avant de retirer ou d'installer la lame.
- Si l'on effectue le travail de coupe alors que le boulon n'est pas suffisamment serré, le boulon risque de se défaire, la lame de se détacher, et la protection inférieure d'être endommagée, ce qui peut provoquer des blessures.
- Par ailleurs, s'assurer que les boulons sont convenablement serrés avant de brancher la fiche du cordon d'alimentation sur une prise secteur.
- * Si les boulons sont posés ou déposés en utilisant un outil autre que la clé à barre à six pans de 5mm (accessoire standard), le serrage peut être excessif ou insuffisant et cela peut provoquer une blessure.

1. Installation de la lame (Fig. 28-a, Fig. 28-b et Fig. 28-c)
 - (1) Tourner la protection inférieure (plastique) sur le dessus.
 - (2) Engager le verrou d'axe et desserrer le boulon avec clé à barre à six pans de 5mm (accessoire standard).
Le boulon ayant un filetage à gauche, le tourner vers la droite pour le desserrer, comme indiqué à la Fig. 28-b.

REMARQUE :

Si le verrou d'axe ne peut pas facilement être engagé pour verrouiller l'axe, tourner le boulon avec une clé à barre à six pans de 5mm (accessoire standard) tout en appliquant une pression sur le verrou d'axe.
L'axe de la lame est verrouillé quand le verrou d'axe est enfoncé.

- (3) Retirer le boulon, la rondelle (D) et la rondelle (E).

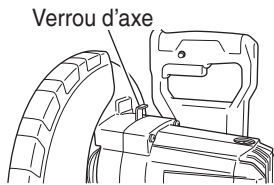


Fig. 28-a

- (4) Soulever la protection inférieure et monter la lame de scie.

⚠ AVERTISSEMENT :

Lors du montage de la lame de scie, s'assurer que la marque de sens de rotation sur la lame de scie et le sens de rotation sur le carter d'engrenage (se reporter à la Fig. 1) sont les mêmes.

- (5) Nettoyez profondément la rondelle (D), la rondelle (E) et le boulon, et installez-les sur la broche de la lame de scie.

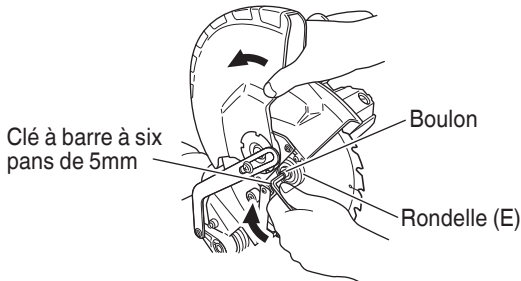


Fig. 28-b

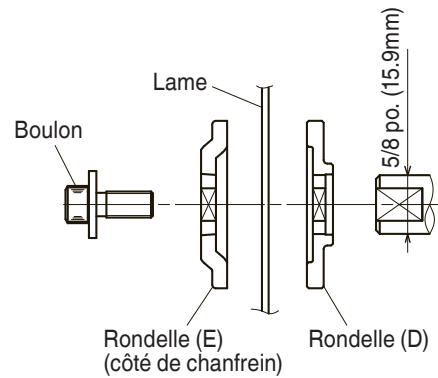


Fig. 28-c

- (6) Appuyer sur le verrou d'axe et serrer le boulon en le tournant vers la gauche à l'aide de la clé fournie comme accessoire standard (clé à barre à six pans de 5mm), comme indiqué à la Fig. 28-b.

⚠ ATTENTION :

- * Vérifier que le verrou d'axe est revenu en position rentrée après le retrait ou l'installation de la lame.
- * Serrer le boulon de façon qu'il ne se desserre pas pendant le fonctionnement.
Vérifier que le boulon est solidement vissé avant de mettre l'outil électrique en marche.

2. Retrait de la lame
Démonter la lame en procédant dans l'ordre inverse de l'installation décrite au paragraphe 1 ci-dessus. La lame s'enlève facilement si le carter de sécurité est relevé.

⚠ ATTENTION :

- Ne jamais tenter d'installer des lames de scie de plus de 10 po. (255mm) de diamètre.
- Installez toujours des lames de scie d'un diamètre compris entre 9-21/32" (245 mm) et 10 po. (255 mm).

TRANSPORT DU CORPS PRINCIPAL

L'étau risque de tomber pendant le transport. Retirez l'ensemble ou glissez une pièce de bois dans l'étau pour le fixer fermement.

Abaissez la tête et insérez la goupille de verrouillage (voir P.23 "Libérer la goupille de verrouillage").

Tournez et desserrez la poignée latérale, tournez la plaque tournante vers la droite jusqu'en butée et fixez la plaque tournante en tournant la poignée en position fixe. Le corps principal sera ainsi encore plus compact.

Lorsque vous transportez le corps principal, portez-le dans vos bras en tenant à deux mains la poignée située sur le socle ou la poignée de transport.

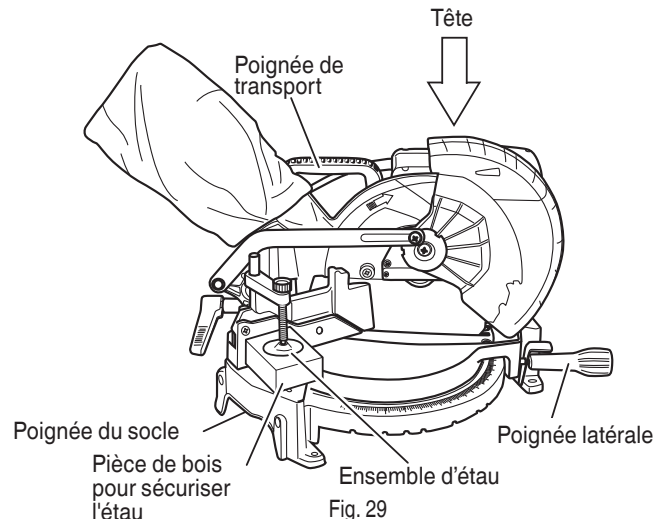


Fig. 29

ENTRETIEN ET INSPECTION

⚠ AVERTISSEMENT :

Pour éviter tout risque d'accident ou de blessure, toujours vérifier que l'interrupteur à gâchette est coupé et que la fiche d'alimentation est débranchée de la prise secteur avant d'entretenir ou d'inspecter l'outil.

1. Inspection de la lame
Toujours remplacer la lame dès qu'elle présente des signes d'usure ou de dommage.
Une lame endommagée risque de provoquer des blessures, et une lame usée peut réduire le rendement et provoquer une surcharge du moteur.

⚠ ATTENTION :

Ne jamais utiliser de lame émoussée. Si la lame est émoussée, sa résistance à la pression de la main appliquée par la poignée de l'outil a tendance à augmenter, ce qui rend le fonctionnement de l'outil électrique peu sûr.

2. Inspection du levier
Si les boulons à tête hexagonale (2) sont lâches, aligner les côtés de la garde et de la lame de scie avec l'équerre en acier. Après avoir réglé la lame de scie et la garde sur un angle de quatre-vingt-dix degrés, serrer les boulons à tête hexagonale (2) qui fixent le levier.

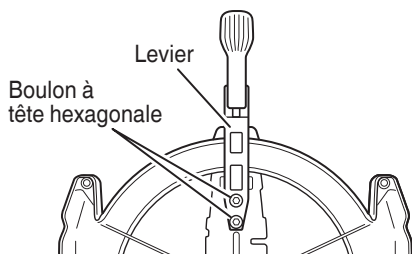


Fig. 30-a

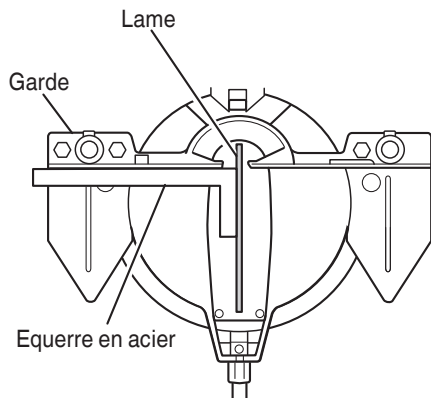


Fig. 30-b

3. Inspecter les balais carbone (Fig. 31 et Fig. 32)
Les balais carbone du moteur sont des pièces consommables. Si les balais en carbone sont usés, le moteur risque d'avoir des anomalies. En conséquence, inspecter périodiquement les balais en carbone et les remplacer lorsqu'ils ont atteint la limite d'usure comme indiqué à la Fig. 31. Par ailleurs, maintenir les balais carbone propres de façon qu'ils glissent régulièrement dans les porte-balai. Les balais carbone sont faciles à retirer ; pour cela, retirer les têtes porte-balai (voir Fig. 32) avec un tournevis à tête plate (signe moins).

REMARQUE :

Lors du remplacement des balais carbone, utiliser uniquement des balais carbone metabo HPT dont le n° «43» représente les deux derniers chiffres du n° de code (voir Fig. 31). Si vous utilisez d'autres balais carbone, le frein électrique ne fonctionnera pas.

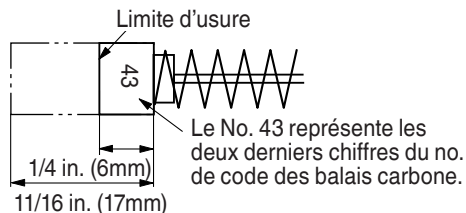


Fig. 31



Fig. 32

4. A propos de l'entretien du moteur (se reporter à la Fig. 1)
L'enroulement du moteur est le coeur de cet outil. Veiller tout particulièrement à ne pas endommager l'enroulement en l'exposant à l'huile ou à l'eau.

REMARQUE :

L'accumulation de poussières dans le moteur peut entraîner une anomalie de fonctionnement. Après avoir fait tourner le moteur pendant 50 heures environ, le laisser tourner à vide et souffler de l'air sec dans le perçage à l'arrière du moteur. Cette action a pour effet de débarrasser le moteur des poussières et saletés.

5. Inspection des vis
Inspecter régulièrement chaque composant de l'outil électrique pour voir s'il n'est pas lâche.
Resserrer les vis des pièces lâches.

⚠ AVERTISSEMENT :

Pour éviter tout risque de blessure, ne jamais faire fonctionner l'outil électrique si certains de ses composants sont lâches.

6. Inspection du bon fonctionnement de la protection inférieure
Avant chaque utilisation, faire un essai de la protection inférieure (voir Fig. 7) pour s'assurer qu'elle est en bon état et qu'elle se déplace en douceur.
Ne jamais utiliser l'outil si la protection inférieure ne fonctionne pas correctement et qu'elle n'est pas en bon état mécanique.
7. Remisage
Quand le travail est terminé, vérifier que l'on a bien effectué toutes les opérations suivantes :
 - (1) Interrupteur à gâchette en position OFF,
 - (2) Fiche d'alimentation débranchée de la prise secteur,
 - (3) Pour éviter tout fonctionnement non autorisé de l'outil, mettre un cadenas dans l'orifice de l'interrupteur à gâchette.
Si l'on ne prévoit pas de se servir de l'outil, le ranger dans un lieu sec et hors de portée des enfants.
8. Graissage
Graisser les surfaces de glissement suivantes une fois par mois pour maintenir l'outil électrique en bon état de marche pendant longtemps (voir Fig. 1 et Fig. 2). Il est recommandé d'utiliser une huile de machine.
Points de graissage :
 - * Section rotative de la charnière
 - * Section rotative de l'ensemble d'étau
9. Nettoyage
Nettoyez la machine, le conduit et la protection inférieure en soufflant de l'air sec à partir d'un pistolet pneumatique ou d'un autre outil.
Retirer périodiquement les copeaux et autres déchets de la surface de l'outil électrique, en particulier par l'intérieur de la protection inférieure, avec un chiffon humecté de savon.

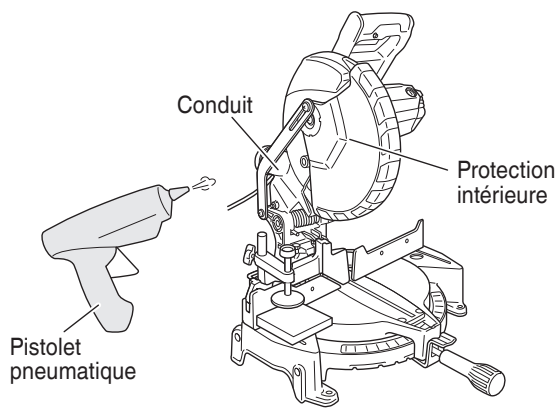


Fig. 33

⚠ ATTENTION :
 Lors de l'utilisation et de l'entretien d'un outil électrique, respecter les règlements et les normes de sécurité en vigueur dans le pays en question.

MODIFICATIONS:

Les outils électriques metabo HPT sont constamment améliorés et modifiés afin d'incorporer les tous derniers progrès technologiques. En conséquence, il est possible que certaines pièces soient modifiées sans avis préalable.

SERVICE APRÈS-VENTE ET RÉPARATIONS

Tous les outils électriques de qualité finissent un jour par avoir besoin de réparations ou de remplacement de pièces sous l'effet d'une usure normale. Pour garantir que seules des pièces de rechange agréées seront utilisées et que le système de double isolation sera protégé, il faudra confier toutes les opérations d'entretien (autres que l'entretien de routine) exclusivement à un SERVICE APRES-VENTE D'OUTILS ELECTRIQUES metabo HPT AGREE.

REMARQUE :

Les spécifications sont sujettes à modification sans obligations de la part de metabo HPT.

GUIDE DE DÉPANNAGE

⚠ AVERTISSEMENT:

- Afin d'éviter un démarrage intempestif, placer l'interrupteur à la position d'arrêt (OFF) et débrancher la fiche de la source d'alimentation avant d'effectuer un quelconque ajustement.
- Toute réparation électrique ou mécanique doit être effectuée par un technicien d'entretien qualifié. Contacter un centre de service autorisé de metabo HPT.

GENERAL

PROBLÈME	CAUSES PROBABLE	ACTION CCORRECTIVE
La scie ne démarre pas.	<ol style="list-style-type: none"> 1. La scie n'est pas branchée. 2. Interrupteur défectueux. 3. Un fusible a sauté ou le disjoncteur s'est déclenché. 4. Le cordon est endommagé. 5. Charbons usés ou cassés. 	<ol style="list-style-type: none"> 1. Brancher la scie. 2. Faire remplacer l'interrupteur par le centre de service agréé. 3. Remplacer le fusible ou réarmer le disjoncteur. 4. Faire remplacer le cordon par le centre de service après-vente agréé. 5. Remplacer les charbons.
Les coupes ne sont pas satisfaisantes.	<ol style="list-style-type: none"> 1. Lame émoussée. 2. La lame est montée à l'envers. 3. Gomme ou brai sur la lame. 4. La lame ne convient pas aux sciages à réaliser. 	<ol style="list-style-type: none"> 1. Remplacer la lame. 2. Retourner la lame. 3. Enlever la lame et la nettoyer avec de la térébenthine et de la laine d'acier grossière. 4. Changer la lame.
La lame ne tourne pas à sa vitesse maximale.	<ol style="list-style-type: none"> 1. Le cordon prolongateur est trop long ou d'un calibre insuffisant. 2. Tension faible. 	<ol style="list-style-type: none"> 1. Remplacer le cordon prolongateur par un cordon de calibre adéquat. 2. Communiquer avec la compagnie d'électricité.
La scie vibre trop.	<ol style="list-style-type: none"> 1. Le boulon de la lame n'est pas serré. 2. La scie n'est pas bien fixée à l'établi. 3. L'établi est sur un sol inégal. 4. La lame ou les flasques ne sont pas propres. 	<ol style="list-style-type: none"> 1. Serrer le boulon de la lame. 2. Serrer toute la quincaillerie de montage. 3. Repositionner l'établi sur une surface plane. 4. Nettoyer la lame et les flasques.
La scie ne coupe pas bien les onglets.	<ol style="list-style-type: none"> 1. La lame est endommagée. 2. La butée n'est pas correctement réglée. 3. La pièce à découper bouge. 	<ol style="list-style-type: none"> 1. Remplacer la lame. 2. Vérifier la butée et l'ajuster. 3. Fixer solidement la pièce à découper contre le guide.
La pièce pince la lame.	<ol style="list-style-type: none"> 1. La pièce bombée est mal positionnée. 	<ol style="list-style-type: none"> 1. Correctement positionner la pièce gauchie (côté convexe contre le guide).

INFORMACIÓN IMPORTANTE SOBRE SEGURIDAD

Antes de utilizar o de realizar cualquier trabajo de mantenimiento de esta herramienta eléctrica, lea y comprenda todas las precauciones de seguridad, advertencias e instrucciones de funcionamiento de este Manual de instrucciones.

La mayoría de los accidentes producidos en la operación y el mantenimiento de una herramienta eléctrica se deben a la falta de observación de las normas o precauciones de seguridad. Los accidentes normalmente podrán evitarse reconociendo una situación potencialmente peligrosa a tiempo y siguiendo los procedimientos de seguridad apropiados.

Las precauciones básicas de seguridad se describen en la sección "SEGURIDAD" de este Manual de instrucciones y en las secciones que contienen las instrucciones de operación y mantenimiento.

Para evitar lesiones o el daño de la herramienta eléctrica, los riesgos están identificados con ADVERTENCIAS en dicha herramienta y en este Manual de instrucciones.

No utilice **NUNCA** esta herramienta eléctrica de ninguna forma que no esté específicamente recomendada por metabo HPT.







SIGNIFICADO DE LAS PALABRAS DE SEÑALIZACIÓN

ADVERTENCIA indica situaciones potencialmente peligrosas que, si se ignoran, pueden resultar en la muerte o en lesiones de gravedad.

PRECAUCIÓN indica situaciones potencialmente peligrosas que, de no evitarse, pueden resultar en lesiones menores o moderadas, o causar daños en la herramienta eléctrica.

NOTA acentúa información esencial.

SIGNIFICADO DE SÍMBOLOS

Símbolos			
 ADVERTENCIA			
A continuación se muestran los símbolos usados para la máquina. Asegúrese de comprender su significado antes del uso.			
	Para disminuir el riesgo de lesiones, el usuario debe leer el manual de instrucciones.	Hz	hertzios
		A	amperios
	Utilice siempre una protección ocular.	no	velocidad sin carga
	Utilice siempre una protección ocular.		Construcción de Clase II
		---/min	revoluciones por minuto
V	tensión eléctrica		corriente alterna

SEGURIDAD

ADVERTENCIAS DE SEGURIDAD GENERAL DE LA HERRAMIENTA ELÉCTRICA

ADVERTENCIA:

Lea todas las advertencias de seguridad, instrucciones, ilustraciones y especificaciones proporcionadas con esta herramienta eléctrica. Si no sigue las instrucciones que se indican a continuación, podrían producirse descargas eléctricas, incendios o lesiones graves.

Guarde todas las advertencias e instrucciones para futura referencia.

El término "herramienta eléctrica" en las advertencias hace referencia a la herramienta eléctrica que funciona con la red de suministro (con cable) o a la herramienta eléctrica que funciona con pilas (sin cable).

- 1) Seguridad en el área de trabajo
 - a) Mantenga la zona de trabajo limpia y bien iluminada.
Las zonas desordenadas o oscuras pueden provocar accidentes.
 - b) No utilice las herramientas eléctricas en entornos explosivos como, por ejemplo, en presencia de líquidos inflamables, gases o polvo.
Las herramientas eléctricas crean chispas que pueden hacer que el polvo desprenda humo.
 - c) Mantenga a los niños y transeúntes alejados cuando utilice una herramienta eléctrica.
Las distracciones pueden hacer que pierda el control.
- 2) Seguridad eléctrica
 - a) Los enchufes de las herramientas eléctricas tienen que ser adecuados a la toma de corriente. No modifique el enchufe. No utilice enchufes adaptadores con herramientas eléctricas conectadas a tierra.
Si no se modifican los enchufes y se utilizan tomas de corriente adecuadas se reducirá el riesgo de descarga eléctrica.
 - b) Evite el contacto corporal con superficies conectadas a tierra como tuberías, radiadores y frigoríficos.
Hay mayor riesgo de descarga eléctrica si su cuerpo está en contacto con el suelo.
 - c) No exponga las herramientas eléctricas a la lluvia o a la humedad.
La entrada de agua en una herramienta eléctrica aumentará el riesgo de descarga eléctrica.
 - d) No utilice el cable incorrectamente. No utilice el cable para transportar, tirar de la herramienta eléctrica o desenchufarla. Mantenga el cable alejado del calor, del aceite, de bordes afilados o piezas móviles.
Los cables dañados o enredados aumentan el riesgo de descarga eléctrica.
 - e) Cuando utilice una herramienta eléctrica al aire libre, utilice un cable prolongador adecuado para utilizarse al aire libre.
La utilización de un cable adecuado para usarse al aire libre reduce el riesgo de descarga eléctrica.
 - f) Si no se puede evitar el uso de una herramienta eléctrica en un lugar húmedo, utilice un suministro protegido mediante un dispositivo de corriente residual (RCD).
El uso de un RCD reduce el riesgo de descarga eléctrica.
- 3) Seguridad personal
 - a) Esté atento, preste atención a lo que hace y utilice el sentido común cuando utilice una herramienta eléctrica. No utilice una herramienta eléctrica cuando esté cansado o esté bajo la influencia de drogas, alcohol o medicación.
La distracción momentánea cuando utiliza herramientas eléctricas puede dar lugar a importantes daños personales.

- b) **Utilice un equipo de protección. Utilice siempre una protección ocular.**
Usar equipo de protección tal como mascarilla, zapatos de seguridad antideslizantes, casco o protección auditiva para las condiciones adecuadas reducirá el riesgo de sufrir lesiones.
- c) **Evite un inicio involuntario. Asegúrese de que el interruptor está en “off” antes de conectar la herramienta a una fuente de alimentación y/o batería, cogerla o transportarla.**
El transporte de herramientas eléctricas con el dedo en el interruptor o el encendido de herramientas eléctricas con el interruptor encendido puede provocar accidentes.
- d) **Retire las llaves de ajuste antes de encender la herramienta eléctrica.**
Si se deja una llave en una pieza giratoria de la herramienta eléctrica podrían producirse daños personales.
- e) **No se extralimite. Mantenga un equilibrio adecuado en todo momento.**
Esto permite un mayor control de la herramienta eléctrica en situaciones inesperadas.
- f) **Vístase adecuadamente. No lleve prendas sueltas o joyas. Mantenga el pelo y la ropa alejados de las piezas móviles.**
La ropa suelta, las joyas y el pelo largo pueden pillarse en las piezas móviles.
- g) **Si se proporcionan dispositivos para la conexión de extracción de polvo e instalaciones de recogida, asegúrese de que están conectados y se utilizan adecuadamente.**
La utilización de un sistema de recogida de polvo puede reducir los riesgos relacionados con el polvo.
- h) **No permita que operar frecuentemente con herramientas le haga ser complaciente e ignorar los principios de seguridad de la herramienta.**
Una acción descuidada puede provocar lesiones severas en una fracción de segundo.
- 4) **Utilización y mantenimiento de las herramientas eléctricas**
- a) **No fuerce la herramienta eléctrica. Utilice la herramienta eléctrica correcta para su aplicación.**
La herramienta eléctrica correcta trabajará mejor y de forma más segura si se utiliza a la velocidad para la que fue diseñada.
- b) **No utilice la herramienta eléctrica si el interruptor no la enciende y apaga.**
Las herramientas eléctricas que no pueden controlarse con el interruptor son peligrosas y deben repararse.
- c) **Desconecte el conector de la fuente de alimentación o desconecte el paquete de baterías, si puede ser desmontado, de la herramienta eléctrica antes de realizar ajustes, cambiar accesorios o almacenar las herramientas eléctricas.**
Estas medidas de seguridad preventivas reducen el riesgo de que la herramienta eléctrica se ponga en marcha accidentalmente.
- d) **Guarde las herramientas eléctricas que no se utilicen para que no las cojan los niños y no permita que utilicen las herramientas eléctricas personas no familiarizadas con las mismas o con estas instrucciones.**
Las herramientas eléctricas son peligrosas si son utilizadas por usuarios sin formación.
- e) **Mantenga adecuadamente las herramientas eléctricas y los accesorios. Compruebe si las piezas móviles están mal alineadas o unidas, si hay alguna pieza rota u otra condición que pudiera afectar al funcionamiento de las herramientas eléctricas. Si la herramienta eléctrica está dañada, llévela a reparar antes de utilizarla.**
Se producen muchos accidentes por no realizar un mantenimiento correcto de las herramientas eléctricas.
- f) **Mantenga las herramientas de corte afiladas y limpias.**
Las herramientas de corte correctamente mantenidas con los bordes de corte afilados son más fáciles de controlar.
- g) **Utilice la herramienta eléctrica, los accesorios y las brocas de la herramienta, etc. de acuerdo con estas instrucciones, teniendo en cuenta las condiciones laborales y el trabajo que se va a realizar.**
La utilización de la herramienta eléctrica para operaciones diferentes a pretendidas podría dar lugar a una situación peligrosa.
- h) **Mantenga los asideros y las superficies de agarre secos, limpios y libres de aceite y grasa.**
Los asideros y las superficies de agarre resbaladizas no permiten un manejo y un control seguros de la herramienta en situaciones inesperadas.
- 5) **Revisión**
- a) **Lleve su herramienta a que la revise un experto cualificado que utilice sólo piezas de repuesto idénticas.**
Esto garantizará el mantenimiento de la seguridad de la herramienta eléctrica.
- PRECAUCIÓN**
Mantenga a los niños y a las personas enfermas alejados. Cuando no se utilicen, las herramientas deberán almacenarse fuera del alcance de los niños y las personas enfermas.
-
- INSTRUCCIONES DE SEGURIDAD PARA LA SIERRA PARA CORTAR INGLETES**
- a) **Las sierras para cortar ingletes están diseñadas para cortar madera o productos parecidos a la madera. No pueden usarse con discos de corte abrasivos para cortar material ferroso, como, por ejemplo, barras, varillas, topes, etc.**
El polvo abrasivo provoca el atascamiento de las piezas móviles, como, por ejemplo, la protección inferior. Las chispas procedentes del corte abrasivo quemarán la protección inferior, la protección de la vía u otras piezas de plástico.
- b) **Utilice abrazaderas para sostener la pieza de trabajo siempre que sea posible. Si sostiene la pieza de trabajo con la mano, siempre debe mantener la mano al menos 100 mm del otro lado de la cuchilla de la sierra. No utilice esta sierra si las piezas que desea cortar son demasiado pequeñas para sujetarse de forma segura con las abrazaderas o con la mano.**
Si coloca la mano demasiado cerca de la cuchilla de la sierra, puede sufrir lesiones, ya que el riesgo de entrar en contacto con la cuchilla es mayor.
- c) **La pieza de trabajo debe estar fija y sujeta con las abrazaderas o con el tope limitador y la mesa. No introduzca la pieza de trabajo en la cuchilla ni la corte “a mano” de ninguna manera.**
Las piezas de trabajo móviles o sin sujeciones podrían salir despedidas a gran velocidad, lo que puede provocar lesiones.
- d) **Empuje la sierra a través de la pieza de trabajo. No tire de la sierra cuando está cortando la pieza de trabajo. Para realizar un corte, levante el cabezal de la sierra y extráigalo de la pieza de trabajo sin realizar ningún corte. A continuación, inicie el motor, presione el cabezal de la sierra y empuje la sierra a través de la pieza de trabajo.**
Si realiza un corte por tracción, es probable que la cuchilla de la sierra se monte en la parte superior de la pieza de trabajo y arroje con fuerza el conjunto de cuchilla hacia el operario.
- e) **Nunca meta la mano en la línea de corte prevista de la parte delantera o posterior de la cuchilla de la sierra.**
Es muy peligroso sujetar la pieza de trabajo “con la mano metida”, es decir, mientras se sostiene la pieza de trabajo en el lado derecho de la cuchilla de la sierra con la mano izquierda o viceversa.
- f) **No coloque la mano detrás del tope limitador a menos de 100 mm de cada lado de la cuchilla de la sierra para quitar restos de madera, o con cualquier otro fin, mientras la cuchilla está en funcionamiento.**
Es posible que no pueda percibir con exactitud lo cerca que está la cuchilla de la mano y podría sufrir graves lesiones.
- g) **Inspeccione la pieza de trabajo antes de realizar el corte. Si la pieza de trabajo está curvada o deformada, sujétela con el lado curvado exterior hacia el tope limitador. Asegúrese en todo momento de que no haya ningún hueco entre la pieza de trabajo, el tope limitador y la mesa a lo largo de la línea de corte.**
Las piezas de trabajo curvadas o deformadas pueden girarse o cambiar de posición y pueden provocar un atascamiento en la cuchilla de la sierra mientras está en funcionamiento. Asegúrese de que no haya clavos ni otros objetos extraños en la pieza de trabajo.
- h) **No use la sierra hasta que en la mesa no haya herramientas, restos de madera, etc.; solo puede estar la pieza de trabajo.**
Los pequeños restos, piezas sueltas de madera u otros objetos que entren en contacto con la cuchilla mientras esta está girando pueden salir despedidos con gran velocidad.
- i) **Solo corte una pieza de trabajo cada vez.**
No se pueden sujetar ni asegurar varias piezas de trabajo apiladas, ya que podrían provocar el atascamiento de la cuchilla o un cambio de posición de las piezas de trabajo durante el corte.
- j) **Asegúrese de que la sierra para cortar ingletes está montada o colocada en una superficie de trabajo nivelada y estable antes de utilizarla.**
Al colocarla en una superficie de trabajo nivelada y estable se reduce el riesgo de que la sierra sea inestable.

- k) **Planifique su trabajo. Cada vez que cambie el ajuste del ángulo de biselado o del inglete, compruebe que el tope limitador ajustable está establecido correctamente para sostener la pieza de trabajo y que no obstaculizará a la cuchilla o al sistema de protección.**
Sin que la herramienta esté activada y sin ninguna pieza de trabajo sobre la mesa, mueva la cuchilla de la sierra a través de un corte simulado completo para asegurarse de que no habrá ningún tipo de obstáculo ni peligro de cortar el tope limitador.
- l) **Utilice una sujeción adecuada, como, por ejemplo, extensiones de mesa, caballetes de aserrar, etc. para una pieza de trabajo que es más ancha o larga que la superficie de la mesa.**
Las piezas de trabajo más largas o anchas que la mesa de la sierra para cortar ingletes pueden volcarse si no se sujetan de forma segura. Si la pieza de trabajo o la pieza de corte se vuelcan, pueden levantar la protección inferior o pueden salir disparadas al entrar en contacto con la cuchilla en funcionamiento.
- m) **No solicite la ayuda de otra persona para sustituir el uso de una extensión de mesa ni como sujeción adicional.**
Una sujeción inestable de la pieza de trabajo puede provocar el atascamiento de la cuchilla o el cambio de posición de la pieza de trabajo durante la operación de corte, lo que puede acercarse a usted y a su ayudante hacia la cuchilla en funcionamiento.
- n) **La pieza de corte no debe estar atascada ni presionada contra la cuchilla de la sierra en funcionamiento.**
Si se bloquea, es decir, si se hace uso de topes, la pieza de corte podría quedarse atascada en la cuchilla y salir disparada con fuerza.
- o) **Utilice en todo momento una abrazadera o una fijación diseñadas para sujetar correctamente material con forma redonda como varillas o tubos.**
Las varillas tienen la tendencia de enrollarse cuando se cortan, lo que provoca que la cuchilla "muerda" la pieza de trabajo y se tenga que tirar de ella con la mano hacia la cuchilla.
- p) **Deje que la cuchilla alcance la velocidad máxima antes de que entre en contacto con la pieza de trabajo.**
Esto reducirá el riesgo de que la pieza de trabajo salga despedida.
- q) **Si la pieza de trabajo o la cuchilla se quedan atascadas, desconecte la sierra para cortar ingletes. Espere a que todas las piezas móviles se detengan y desconecte el enchufe de la fuente de alimentación y extraiga la batería. A continuación, trate de liberar el material atascado.**
Si sigue cortando una pieza de trabajo atascada, podría producirse una pérdida de control o daños en la sierra.
- r) **Después de finalizar el corte, deje de pulsar el interruptor, sujete la sierra con el cabezal hacia abajo y espere a que la cuchilla deje de funcionar antes de retirar la pieza de corte.**
No coloque la mano cerca de la cuchilla de corte en funcionamiento, ya que es peligroso.
- s) **Sujete firmemente el mango cuando realice un corte incompleto o cuando deje de pulsar el interruptor antes de que el cabezal de la sierra se encuentre completamente hacia abajo.**
La acción de frenado de la sierra puede provocar que el cabezal de la misma se mueva hacia abajo repentinamente, lo que puede provocar lesiones.
6. Si nota cualquier anomalía, deje de utilizar inmediatamente la sierra.
7. Antes de utilizar la herramienta, compruebe si todos los componentes están montados adecuadamente y con seguridad.
8. Cuando reemplace la hoja de sierra, confirme que las rpm de la nueva sean correctas para utilizarse con esta unidad.
9. Antes de realizar cualquier trabajo de mantenimiento o ajuste, desconecte la alimentación y espere hasta que la hoja de sierra se haya parado completamente.
10. Sujete o asegure la pieza de trabajo en la escuadra de guía, ya que de lo contrario podría salirse de la mesa y causar lesiones serias.
11. Durante el corte de ingletes o en bisel, espere siempre hasta que la hoja de sierra se haya parado completamente antes de levantarla.
12. Realice siempre una prueba antes de intentar utilizar una hoja de sierra nueva.
13. Maneje siempre la hoja de sierra con cuidado con la desmonte o monte.
14. Antes de utilizar la sierra, compruebe siempre si la pieza de trabajo está exenta de puntas y demás objetos extraños.
15. Mantenga siempre las manos alejadas del trayecto de la hoja de sierra.
16. Antes de utilizar la sierra, confirme que el revestimiento de protección inferior esté en el lugar apropiado.
17. Inspeccione periódicamente el cable de alimentación de la herramienta.
18. Antes de poner en funcionamiento la herramienta, confirme si la longitud del cable de alimentación y de los cables prolongadores, si va a utilizarlos, es apropiada.
19. Antes de utilizar la herramienta, confirme que los orificios de ventilación del motor estén completamente abiertos.
20. Antes de comenzar a cortar, espere siempre hasta que el motor haya alcanzado la velocidad plena.
21. Mantenga siempre las empuñaduras secas, limpias, y exentas de aceite y grasa. Cuando utilice la herramienta, sujétela firmemente.
22. Para piezas de trabajo que sobrepasen la mesa de la sierra ingletadora, utilice soportes.
23. Utilice siempre la herramienta después de haberse asegurado de que la pieza de trabajo esté adecuadamente fijada con un tornillo de carpintero.
24. El manual de instrucciones suministrado con la herramienta indica al usuario que asegure la herramienta a la estructura de soporte si, durante la operación normal, la herramienta tiende a volcarse, deslizarse, o moverse por la superficie de soporte.
25. Asegúrese antes de cada corte que la máquina esté estable.
26. Si la hoja de la sierra se atasca, desconecte la máquina y sostenga la pieza hasta que la hoja de la sierra se detenga por completo. Para evitar retrocesos, la pieza no podrá moverse hasta después de que la máquina se haya detenido completamente.
Corrija la causa del atasco de la hoja de la sierra antes de volver a encender la máquina.
27. Utilice únicamente hojas de sierra marcadas con una velocidad máxima permitida igual o superior a la velocidad sin carga marcada en la HERRAMIENTA ELÉCTRICA.
28. Utilice solo un diámetro de la hoja de sierra de acuerdo con las marcas en la HERRAMIENTA ELÉCTRICA.
29. Reemplace la inserción de la mesa cuando esté desgastada.

LO QUE NO DEBERÁ HACERSE

NO VIOLE NUNCA LAS NORMAS SIGUIENTES PARA PODER UTILIZAR CON SEGURIDAD ESTA HERRAMIENTA:

1. No utilice nunca la HERRAMIENTA ELÉCTRICA a menos que haya comprendido completamente las instrucciones de operación contenidas en este manual.
2. No deje nunca la HERRAMIENTA ELÉCTRICA desatendida sin haber desenchufado antes el cable de alimentación.
3. No utilice nunca la HERRAMIENTA ELÉCTRICA cuando esté cansado, después de haber ingerido medicamentos, o cuando haya tomado bebidas alcohólicas.
4. No utilice nunca la HERRAMIENTA ELÉCTRICA para aplicaciones no especificadas en este manual.
5. No utilice nunca la herramienta con ropa floja, corbata, ni joyas, ni si haberse cubierto el pelo para evitar que puedan quedar atrapados en las partes móviles.
6. No acerque las manos a la hoja de sierra.
7. No toque nunca las partes móviles, incluyendo la hoja de sierra, mientras esté utilizando la sierra.
8. No quite nunca ningún dispositivo de seguridad ni los protectores de la hoja de sierra, ya que la utilización de la herramienta sin ellos podría resultar peligrosa.
9. No bloquee nunca el revestimiento de protección inferior. Antes de utilizar la herramienta, confirme que se desliza suavemente.
10. No dañe nunca el cable de alimentación de la herramienta.
11. No intente mover nunca una HERRAMIENTA ELÉCTRICA con el dedo en el interruptor de disparo.
12. No intente nunca utilizar la HERRAMIENTA ELÉCTRICA si el interruptor de disparo no funciona adecuadamente.

NORMAS DE SEGURIDAD ESPECÍFICAS PARA LA UTILIZACIÓN DE ESTA HERRAMIENTA

⚠ ADVERTENCIA:

Las instrucciones de operación específicas siguientes deberán observarse cuando se utilice esta HERRAMIENTA ELÉCTRICA a fin de evitar lesiones.

LO QUE DEBERÁ HACERSE

TENGA SIEMPRE EN CUENTA LAS NORMAS SIGUIENTES PARA PODER UTILIZAR CON SEGURIDAD ESTA HERRAMIENTA:

1. Antes de intentar utilizar esta HERRAMIENTA ELÉCTRICA, lea este manual y familiarícese con las normas de seguridad y las instrucciones de operación.
2. Quite todo el material de embalaje adherido o vinculado con la herramienta antes de usarla.
3. Antes de utilizar la HERRAMIENTA ELÉCTRICA, confirme que esté limpia.
4. Para utilizar la HERRAMIENTA ELÉCTRICA, vístase ropa ajustada, calzado no deslizable (preferiblemente con punteras reforzadas con acero) y gafas protectoras.
5. Maneje la HERRAMIENTA ELÉCTRICA con cuidado. Si la HERRAMIENTA ELÉCTRICA se cae o se golpea contra un objeto duro, puede deformar o rajarse, o sufrir otros daños.

13. No utilice nunca la HERRAMIENTA ELÉCTRICA si la envoltura de plástico o la empuñadura está rajada o deformada.
14. No utilice nunca la HERRAMIENTA ELÉCTRICA cerca de líquidos ni gases inflamables porque las chispas podrían causar una explosión.
15. No limpie nunca los componentes de plástico con disolventes, porque el plástico podría disolverse.
16. No utilice nunca la herramienta a menos que los revestimientos de protección inferior estén en su lugar.
17. No levante nunca la hoja de sierra de la pieza de trabajo mientras no se haya parado completamente.
18. No coloque nunca sus miembros dentro de la línea cerca del signo de advertencia "⚠" mientras esté utilizando la herramienta. Esto podría resultar peligroso.
19. No utilice nunca hojas de tipo abrasivo con esta herramienta.
20. No exponga nunca la herramienta a la lluvia, ni la utilice en lugares húmedos.
21. No corte nunca metales ferrosos ni mampostería.
22. No se coloque alineado con la hoja de la sierra delante de la máquina. Colóquese siempre a un lado de la hoja de la sierra. De esta manera su cuerpo quedará protegido de un posible retroceso. Mantenga las manos, dedos y brazos alejados de la hoja de la sierra mientras la hoja esté girando.
23. No cruce sus brazos al operar el brazo de la herramienta.

⚠ ADVERTENCIA:
PARA SU PROPIA SEGURIDAD, ANTES DE UTILIZAR ESTA SIERRA INGLETADORA ABATIBLE, LEA ESTE MANUAL DE INSTRUCCIONES

1. Para utilizar esta sierra ingletadora abatible, utilice siempre gafas protectoras.
2. Mantenga siempre las manos fuera del trayecto de la hoja de sierra.
3. No utilice nunca la sierra sin los protectores en su lugar.
4. No realice ninguna operación sin las manos con esta sierra ingletadora abatible.
5. No acerque nunca las manos a la hoja de sierra.
6. Antes de mover la pieza de trabajo o de cambiar los ajustes espere siempre a que la hoja de sierra se haya parado completamente.
7. Desconecte siempre la herramienta antes de cambiar la hoja de sierra o de realizar cualquier trabajo de mantenimiento.
8. El diámetro de la hoja de sierra es de 10 pulg. (255mm).
9. La velocidad sin carga es de 5000/min.

PIEZAS DE REEMPLAZO

Para la reparación de una herramienta, utilice solamente piezas de reemplazo idénticas.
 Las reparaciones solamente deberán realizarse en un centro de servicio autorizado por metabo HPT.

UTILICE EL CABLE PROLONGADOR ADECUADO

Cerciérese de que el cable prolongador esté en buenas condiciones. Cuando utilice un cable prolongador, cerciérese de que tenga el calibre (grosor) suficiente como para poder conducir la corriente necesaria para la herramienta. Un cable de calibre inferior causaría la caída de tensión, lo que resultaría en pérdida de potencia y en recalentamiento. En la tabla siguiente se indica el calibre correcto de acuerdo con la longitud del cable y la indicación de amperaje de la tabla de características. Cuando menor sea el número de calibre, mayor será el cable.

CALIBRE MÍNIMO PARA CABLES

		Longitud Total del Cable en Pies (Metros)			
		0 – 25 (0 – 7.6)	26 – 50 (7.9 – 15.2)	51 – 100 (15.5 – 30.5)	101 – 150 (30.8 – 45.7)
Amperaje nominal		AWG			
Más de	No más de				
	0 – 6	18	16	16	14
	6 – 10	18	16	14	12
	10 – 12	16	16	14	12
	12 – 16	14	12	No se recomienda	

⚠ ADVERTENCIA:

Evite descargas eléctricas. No utilice nunca esta herramienta con un cable de alimentación o prolongador dañado ni reparado. Inspeccione regularmente todos los cables eléctricos. No utilice nunca la herramienta cerca del agua ni en ningún otro lugar en el que exista el riesgo de descargas eléctricas.

AISLAMIENTO DOBLE PARA OFRECER UNA OPERACIÓN MÁS SEGURA

Para garantizar una operación más segura de esta herramienta eléctrica, metabo HPT ha adoptado un diseño de aislamiento doble. "Aislamiento doble" significa que se han utilizado dos sistemas de aislamiento físicamente separados para aislar los materiales eléctricamente conductores conectados a la fuente de alimentación del bastidor exterior manejado por el operador. Por lo tanto, en la herramienta eléctrica o en su placa de características aparecen el símbolo "□" o las palabras "Double insulation" (aislamiento doble).

Aunque este sistema no posee puesta a tierra externa, usted deberá seguir las precauciones sobre seguridad eléctrica ofrecidas en este Manual de instrucciones, incluyendo la no utilización de la herramienta eléctrica en ambientes húmedos.

Para mantener efectivo el sistema de aislamiento doble, tenga en cuenta las precauciones siguientes:

- * Esta herramienta solamente deberá ser desmontada y montada en un CENTRO DE SERVICIO AUTORIZADO POR metabo HPT, y sólo deberán utilizarse piezas de reemplazo genuinas de metabo HPT.
- * Limpie el exterior de la herramienta eléctrica solamente con un paño suave humedecido en agua jabonosa, y después séquela bien.
- * No utilice disolventes, gasolina, ni diluidor de pintura para limpiar las partes de plástico, ya que podría disolverlas.

**¡GUARDE ESTAS INSTRUCCIONES
 Y
 PÓNGALAS A DISPOSICIÓN DE OTROS USUARIOS
 Y
 PROPIETARIOS DE ESTA HERRAMIENTA!**

OPERACIÓN Y MANTENIMIENTO

NOTA:

La información contenida en este manual ha sido diseñada para ayudarle a realizar una operación segura y a mantener la herramienta eléctrica. Algunas ilustraciones de este manual pueden mostrar detalles o dispositivos diferentes a los de su propia herramienta eléctrica.

NOMENCLATURA DE PARTES

MODELO C10FCG • C10FCG(S)

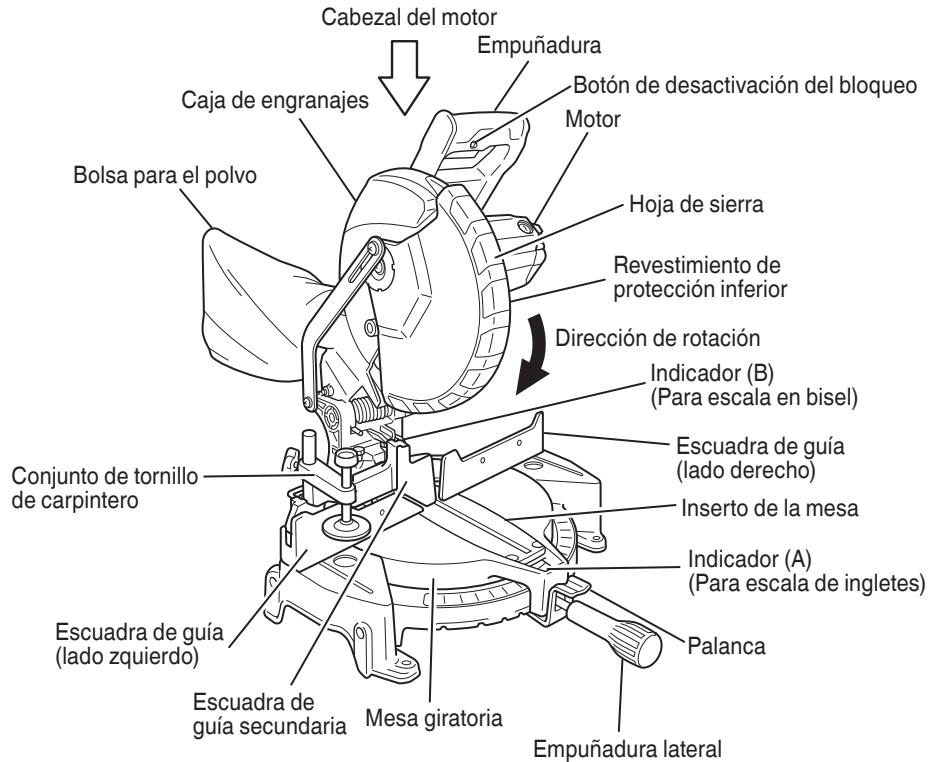


Fig. 1

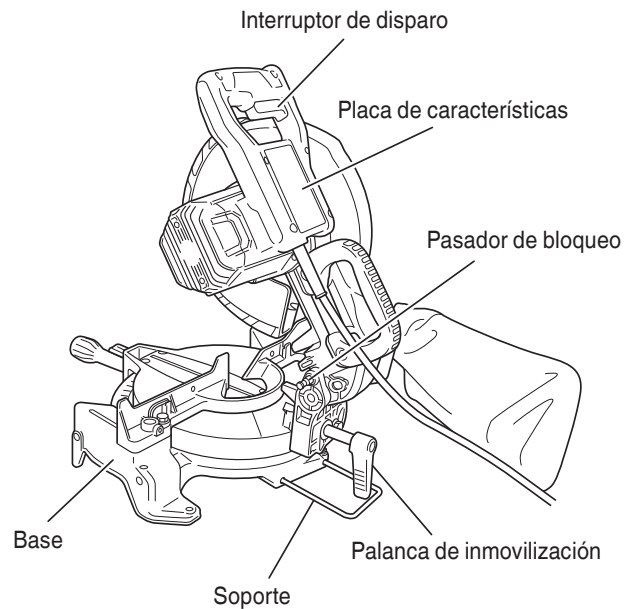


Fig. 2

ESPECIFICACIONES

Ítem	Modelo	C10FCG • C10FCG(S)		
Motor	Tipo	Motor conmutador en serie		
	Fuente de alimentación	Monofásica, CA, 60 Hz		
	Tensión (voltios)	120		
	Corriente a plena carga (amperios)	15		
Hoja de sierra aplicable	Diámetro exterior: 10 pulg. (255mm) Diámetro del orificio: 5/8 pulg. (15.9mm) Espesor de corte máximo de 7/64" (2.8 mm)			
Velocidad sin carga	5000/min			
Dimensión máxima de corte	Cabeza		Mesa giratoria	Dimensión máxima de corte
	Ingletes	0	0	Altura máx. 2-5/16 pulg. (59mm) Anchura máx. 5-21/32 pulg. (144mm) o Altura máx. 3-1/2 pulg. (89mm) Anchura máx. 3-31/32 pulg. (101mm)
		0	45° a la izquierda	Altura máx. 2-5/16 pulg. (59mm) Anchura máx. 4 pulg. (102mm)
	Bisel	45° a la izquierda	0	Altura máx. 1-5/8 pulg. (41mm) Anchura máx. 5-21/32 pulg. (144mm)
	Compuesto	45° a la izquierda	45° a la izquierda	Altura máx. 1-5/8 pulg. (41mm) Anchura máx. 4 pulg. (102mm)
Margen de corte de ingletes	0° – 52° a la izquierda 0° – 52° a la derecha			
Margen de corte en bisel	0° – 45° a la izquierda			
Margen de corte compuesto	0° – 45° a la izquierda (bisel) 0° – 45° a la izquierda (inglete)			
Peso neto	22 lbs. (10 kg)			
Cable	Cable de tipo de 2 conductores de 6 pies (1.8m)			

ACCESORIOS

⚠ ADVERTENCIA:

Los accesorios para esta herramienta eléctrica se mencionan en este Manual de instrucciones.
La utilización de otros accesorios puede resultar peligrosa y causar lesiones o daños mecánicos.

ACCESORIOS ESTÁNDAR

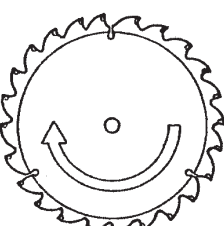

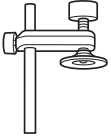

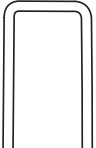
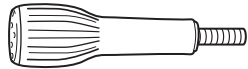
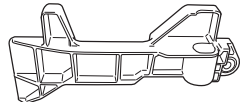
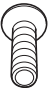
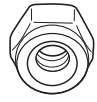

<p>① Hoja de sierra TCT de 255mm (10 pulg.) (1 pieza)(Para madera)</p>  <p>(Número de dientes: 24 Núm. de código: 318963)</p>	<p>② Bolsa para el polvo (1 pieza)</p>  <p>Con respecto a la forma de utilización, consulte la página 45.</p>	<p>③ Conjunto de tornillo de carpintero con perno de perilla (1 pieza)</p>  <p>Con respecto a la forma de utilización, consulte la página 42.</p>	<p>④ Llave de barra hex. 5mm</p> 	<p>⑤ Soporte (1 pieza)</p> 
<p>⑥ Asa lateral (1 pieza)</p> 	<p>⑦ Escuadra de guía secundaria (1 pieza)</p> 	<p>⑧ Tornillo de cabeza plana (1 pieza)</p> 	<p>⑨ Tuerca de nilón M6 (1 pieza)</p> 	<p>⑩ Placa (A) (1 pieza)</p> 

Fig. 3

ACCESORIOS OPCIONALES.....de venta por separado

- ① Soporte (Núm. de código 974562)
- ② Destornillador de 6 mm (Núm. de código 949258)
- ③ Soporte de extensión y retén (Núm. de código 322710)
- ④ Hoja de sierra de 255mm (10 pulg.) Hoja de sierra TCT para cortar madera (Total de dientes: 60) (Núm. de código 976472)
- ⑤ Hoja de sierra de 255mm (10 pulg.) Hoja de sierra TCT para cortar aluminio (Total de dientes: 100) (Núm. de código 319658)
- ⑥ Conj. de tornillo de carpintero para moldura en vértice (Núm. de código 322712) (Incluye tope (L) de moldura en vértice)
- ⑦ Tope (L) de moldura en vértice (Núm. de código 322713)
- ⑧ Tope (R) de moldura en vértice (Núm. de código 322714)

NOTA:

Los accesorios están sujetos a cambio sin ninguna obligación por parte de metabo HPT.

APLICACIONES

Puertas corredizas de madera y aluminio.

PREPARATIVOS PREVIOS A LA OPERACIÓN

Antes de utilizar la herramienta eléctrica, realice los preparativos siguientes:

1. Quite todo el material de embalaje adherido o vinculado con la herramienta antes de usarla.
2. Instalación

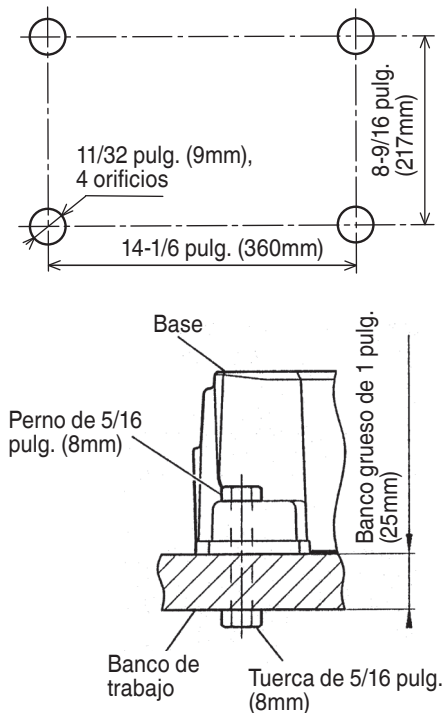


Fig. 4

Coloque la herramienta eléctrica sobre un banco de trabajo nivelado horizontal, como se muestra en la Fig. 4. Seleccione pernos de 5/16 pulg. (8mm) de diámetro y de la longitud adecuada al grosor del banco de trabajo. La longitud del perno deberá ser de 1-3/8 pulg. (35mm) por lo menos más el grosor del banco de trabajo. Por ejemplo, utilice pernos de 2-11/32 pulg. (60mm) o más para un banco de trabajo con grosor de 1 pulg. (25mm). El soporte fijado a la parte posterior de la base ayuda a estabilizar la herramienta eléctrica.

Ajuste del soporte, palanca de inmovilización:

Fije el soporte incluido en la posición que se muestra en la figura 5 y ajuste el soporte hasta que su superficie inferior entre en contacto con la superficie del banco de trabajo. Después de los ajustes, apriete firmemente el perno de 6 mm. Afloje el tornillo M6 x 20 en la palanca de fijación y fije en una posición donde se pueda operar la palanca de fijación fácilmente.

PRECAUCIÓN:

Utilizando los pernos (6mm), asegure la herramienta eléctrica a un banco de trabajo y, si la mesa giratoria está inclinada en un ángulo de 45° o más, preste atención para que la mano que sujeta la empuñadura lateral no quede atrapada entre la empuñadura lateral y la cabeza de los pernos (6mm). De lo contrario, podría sufrir lesiones.

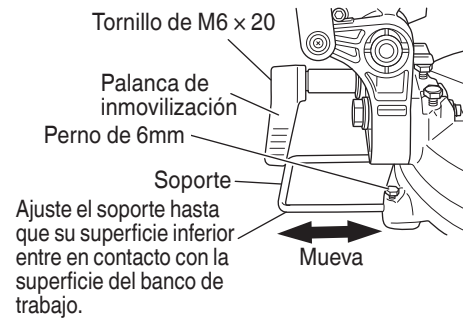


Fig. 5-a

Instale el asa lateral

Retire el perno M10 e instale el asa lateral proporcionado con esta unidad.

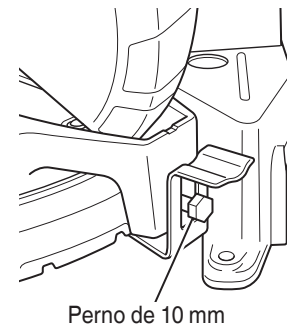


Fig. 5-b

3. Liberación del pasador de bloqueo
Cuando la herramienta eléctrica esté preparada para transportarse, sus partes principales estarán aseguradas mediante el pasador de bloqueo. Mueva ligeramente la empuñadura de forma que el pasador de bloqueo pueda desenganchar.

NOTA:

Si baja ligeramente la empuñadura podrá desenganchar el pasador de bloqueo de forma más fácil y segura. La posición de bloqueo del pasador de bloqueo es solamente para transporte y almacenamiento.

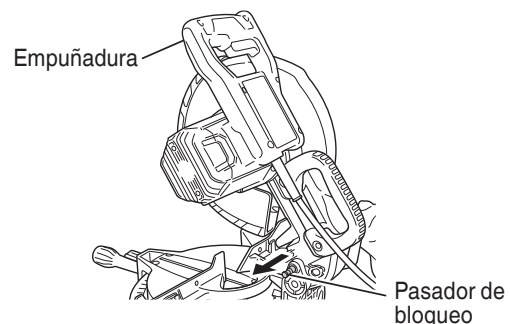


Fig. 6

4. Instalación de la bolsa para el polvo, el soporte, el retén, y los tornillos de carpintero
(El soporte y el retén son accesorios opcionales.)
Fije la bolsa para el polvo y el conjunto de tornillo de carpintero como se indica en la Fig. 1 y Fig. 2.

ANTES DE LA UTILIZACIÓN

1. Cerciórese de que la fuente de alimentación sea adecuada para la herramienta.

⚠ ADVERTENCIA:

No conecte nunca la herramienta eléctrica a menos que la fuente de alimentación de CA disponible sea de la misma tensión que la especificada en la placa de características de dicha herramienta.

2. Cerciórese de que el interruptor de disparo esté en OFF.

⚠ ADVERTENCIA:

Si conectase el cable de alimentación en la fuente de alimentación con el interruptor de disparo en ON, la herramienta se pondría repentinamente en funcionamiento y podría causar un accidente serio.

3. Compruebe si la hoja de sierra posee defectos visibles. Confirme que la hoja de sierra esté exenta de rajaduras y de otros defectos visibles.
4. Confirme que la hoja de sierra esté fijada con seguridad a la herramienta eléctrica. Utilice la llave de barra hexagonal de 5 mm incluida para apretar el perno del huso de la cuchilla de la sierra, para fijarla. Con respecto a los detalles, consulte la Fig. 27-a, 27-b, 27-c y 27-d de la sección "MONTAJE Y DESMONTAJE DE LA HOJA DE SIERRA".
5. Compruebe si el revestimiento de protección inferior funciona adecuadamente. El revestimiento de protección inferior está diseñado para evitar que el operador entre en contacto con la hoja de sierra cuando utilice la herramienta. Compruebe siempre si el revestimiento de protección inferior se mueve suavemente y si cubre adecuadamente la hoja de sierra.

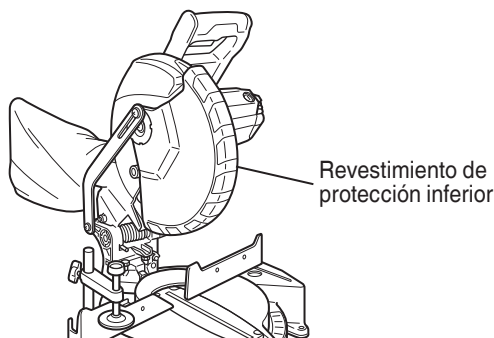


Fig. 7

⚠ ADVERTENCIA:

NO UTILICE NUNCA LA HERRAMIENTA ELÉCTRICA si la cubierta de seguridad no funciona suavemente.

6. Antes de utilizar la herramienta, confirme la posición del bloqueador del huso. Después de haber instalado la hoja de sierra, confirme que el bloqueador del huso está en posición de retraída antes de utilizar la herramienta eléctrica (consulte la Fig. 27-b).
7. Compruebe el tomacorriente de CA. Para evitar el recalentamiento, la parada accidental, o la operación intermitente, confirme que el enchufe del cable de alimentación esté firmemente insertado en el tomacorriente y que no se caiga después de haberlo insertado. Si el tomacorriente está defectuoso repare o reemplácelo.
8. Confirme que el cable de alimentación de la herramienta no esté dañado. Si el cable de alimentación está dañado, repare o reemplácelo.
9. Protección ocular. Siempre use protección ocular con protecciones laterales que cumpla con los requerimientos de la norma estándar ANSI Z87.1. Las gafas comunes no proporcionan la protección adecuada debido a que no contienen cristal de seguridad resistente a impactos.

⚠ ADVERTENCIA:

Operar la herramienta sin usar la protección ocular correcta podría ocasionar lesiones severas.

10. Freno eléctrico. Esta herramienta está equipada con un freno eléctrico que comúnmente detiene la cuchilla en un tiempo de 5 segundos después de liberar el interruptor de activación. Ocasionalmente, se producirá un retraso al aplicarse el freno lo que podría ocasionar que el tiempo de parada de la cuchilla sea mayor. En raras ocasiones, el freno podría no aplicarse por completo y la hoja de sierra avanzará hasta la parada. Si el freno no se aplica frecuentemente, presione y suelte el interruptor de activación para encender y apagar la herramienta 4 o 5 veces. Si el freno aún no se activa, lleve la herramienta a revisión a un centro de servicio autorizado metabo HPT. Siempre confirme que la hoja de sierra se haya detenido completamente antes de levantarla de la pieza de trabajo.

El freno no es sustituto del funcionamiento correcto de la protección inferior. Compruebe el funcionamiento de la protección inferior antes de cada uso. Lesiones personales severas pueden ocurrir si la protección inferior no se mueve suavemente y cubre la cuchilla correctamente.

⚠ ADVERTENCIA:

Tenga presente la reacción del cabezal del motor (Fig. 1) cuando se active freno. El frenado ocasiona que el cabezal del motor se mueva bruscamente hacia abajo y el usuario debe estar preparado para esta reacción, especialmente cuando se libera el interruptor de activación antes de que baje por completo la cuchilla. De no estar familiarizado ni preparado para su utilización, las características operacionales de la herramienta podrían ocasionar lesiones severas.

DESPUÉS DE HABER CONECTADO EL ENCHUFE DEL CABLE DE ALIMENTACIÓN EN UN TOMACORRIENTE DE CA APROPIADO, COMPRUEBE LA OPERACIÓN DE LA HERRAMIENTA DE LA FORMA SIGUIENTE:

11. Operación de prueba. Después de haber confirmado que no se ha olvidado de nada, ponga en funcionamiento la herramienta eléctrica, y confirme que no haya ninguna anomalía antes de intentar realizar la operación de corte.
12. Inspeccione la estabilidad de rotación de la hoja de sierra. Para cortar con precisión, gire la hoja de sierra y compruebe la deflexión para confirmar que la hoja no esté inestable, ya que de lo contrario, podrían producirse vibraciones y ocurrir un accidente.

ANTES DEL CORTE

1. Instale el subprotector. En el caso de corte en ángulo directo y corte en ángulo, utilice el topeguía secundario. La escuadra de guía secundaria puede instalarse en el lado derecho de la escuadra de guía. Ponga la placa en la posición que se muestra en la figura 8, inserte la punta en la ranura de la escuadra de guía e simultáneamente, inserte el tornillo de cabeza plana M6 en la escuadra de guía, escuadra de guía secundaria, y placa; luego, apriete la tuerca de nilón M6 con la llave de cubo de 10 mm incluida hasta que puede girar la escuadra de guía secundaria suavemente. A continuación, puede realizar un corte estable del material con un cara trasera ancha.

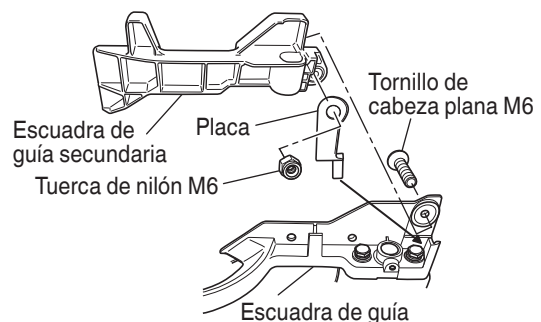


Fig. 8

2. **Ángulo oblicuo**
 Cuando la herramienta sale de fábrica, está ajustada para corte de 0° en bisel de 45° hacia la izquierda con el perno (A) de 8mm y el perno (B) de 8mm.
 Cuando cambie el ajuste, cambie la altura de el perno (A) de 8mm o el perno (B) de 8mm girándolos. (Fig. 9-a, Fig. 9-b)

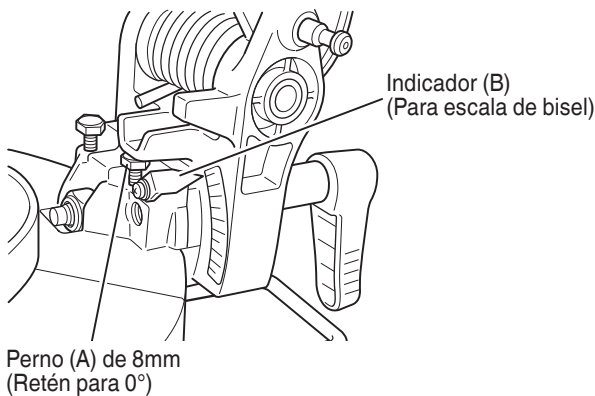


Fig. 9-a

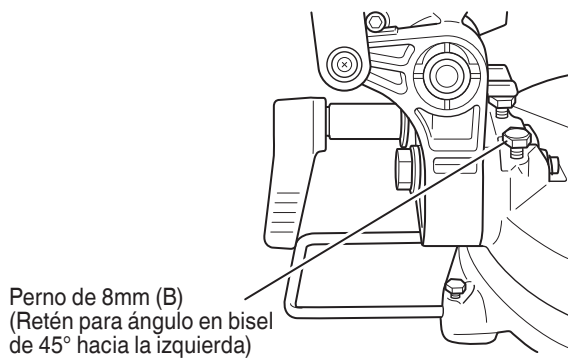


Fig. 9-b

3. Inmovilización de la pieza de trabajo

⚠ ADVERTENCIA:

Sujete siempre la pieza de trabajo a la escuadra de guía, ya que de lo contrario podría salirse de la mesa y causar lesiones serias.

4. Instalación del soporte ... (Accesorio opcional)
 El soporte ayuda a mantener las piezas de trabajo estables y en su sitio más tiempo durante la operación de corte.
 ○ Tal y como se indica en la Fig. 10, instale el soporte en los orificios del lateral de la base y apriételo con un destornillador de 6 mm (Accesorio opcional).

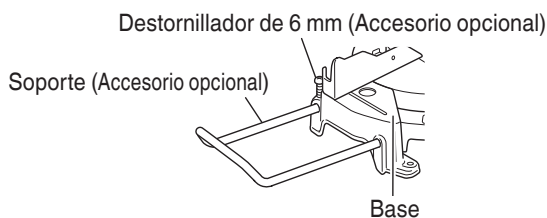


Fig. 10

5. Instalación de los soportes ... (Accesorios opcionales)
 Los soportes ayudan a mantener estables, y en su lugar, las piezas de trabajo largas durante la operación de corte.
 (1) Como se indica en la Fig. 11, utilice una escuadra de acero para alinear el borde superior de los soportes con la superficie de la base. Afloje el perno de mariposa de 6mm. Gire el perno de ajuste de altura de 6mm, y ajuste la altura del soporte.
 (2) Después del ajuste, apriete firmemente la tuerca de mariposa y asegure el sujetador con el perno de mariposa de 6mm (accesorio opcional). Si el largo del perno de ajuste de altura de 6mm es insuficiente, coloque debajo una placa delgada. Asegúrese de que el extremo del perno de ajuste de altura de 6mm no sobresalga del sujetador.

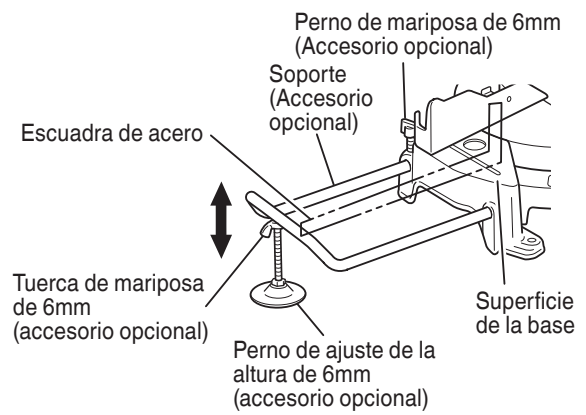


Fig.11

6. Retén para precisión de corte ... (El retén y el soporte son accesorios opcionales)
 El retén facilita la precisión del corte continuo en longitudes de 11 pulg. a 17-3/4 pulg. (280 a 450mm).
 Para instalar el retén, fíjelo al soporte con el perno de mariposa de 6 mm, como se muestra en la Fig. 12.

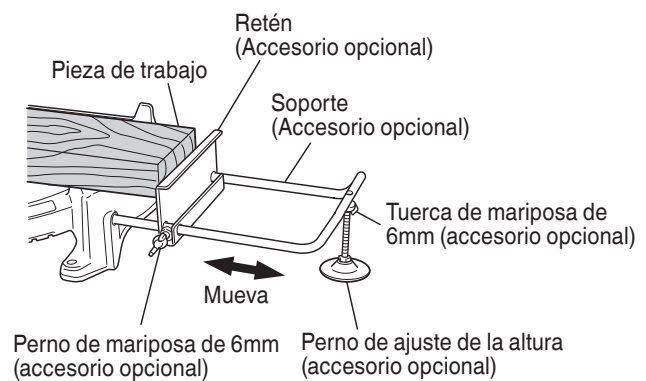


Fig. 12

APLICACIONES PRÁCTICAS

⚠ ADVERTENCIA:

- * Para evitar lesiones, no quite ni remplace nunca la pieza de trabajo sobre la mesa mientras la herramienta esté en funcionamiento.
- * No coloque nunca sus miembros dentro de la línea cerca del signo de advertencia mientras esté utilizando la herramienta. Esto podría resultar peligroso (consulte la Fig. 13).

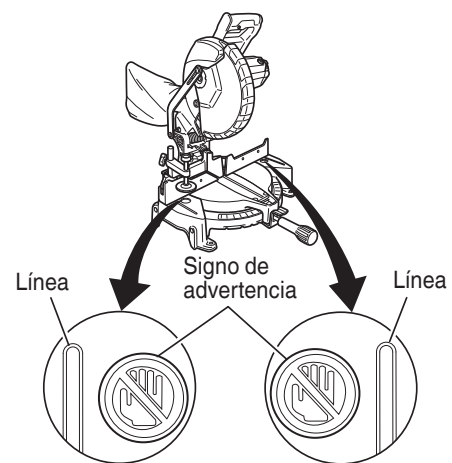


Fig. 13

- Operación de conmutación
La herramienta no arrancará a menos que presione el botón de bloqueo-desconexión mientras el interruptor esté hacia atrás. El botón de bloqueo-desconexión puede activarse presionándolo desde la izquierda. Después de activar el interruptor, la hoja de la sierra continuará funcionando tan pronto como jale el conmutador de gatillo, incluso si libera el botón de bloqueo-desconexión. Cuando se suelta el interruptor, el botón de bloqueo-desconexión se desactiva automáticamente para evitar un arranque involuntario del motor.



Fig. 14

⚠ ADVERTENCIA:
Nunca bloquee el botón de bloqueo-desconexión en la posición presionada. Si jala el interruptor hacia atrás, la herramienta comenzará a funcionar repentinamente, lo que podría provocar lesiones.

- Utilización del conjunto de tornillo de carpintero (Accesorio estándar)
 - El módulo de prensa de tornillo puede ser montado en el lado izquierdo o derecho del tope aflojando el perno de palomilla de 6 mm (A).
 - El portatornillo puede elevarse o bajarse de acuerdo con la altura de la pieza de trabajo aflojando el perno de orejas de 6mm (B). Después del ajuste, apriete firmemente el perno de orejas de 6 mm (B) y fije el portatornillo.
 - Gire la perilla superior y fije firmemente la pieza de trabajo en su lugar (Fig. 15).

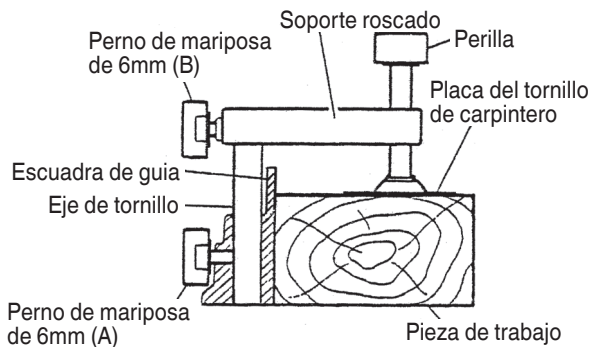


Fig. 15

⚠ ADVERTENCIA:
Siempre sujete firmemente la pieza de trabajo a la escuadra de guía, ya que de lo contrario podría salirse de la mesa y causar lesiones serias.

⚠ PRECAUCIÓN:
Confirme siempre que la cabeza del motor (consulte la Fig. 1) no entre en contacto con el conjunto de tornillo de carpintero cuando descienda para realizar la operación de corte. Si existe el peligro de que pueda pasar esto, afloje ligeramente el perno de orejas de 6mm (B) y mueva el conjunto de tornillo de carpintero hasta una posición en la que no entre en contacto con la hoja de sierra.

- Operación de corte
 - Como se muestra en la Fig. 16, la anchura de la hoja de sierra es la de corte. Por lo tanto, deslice la pieza de trabajo hacia la derecha (vista desde la posición del operador) cuando desee la longitud ①, o hacia la izquierda cuando desee la longitud ②.
 - Cuando la hoja de sierra haya alcanzado la velocidad máxima, empuje cuidadosamente hacia abajo la empuñadura hasta que la hoja de sierra se acerque a la pieza de trabajo.

- Cuando la hoja de sierra haya entrado en contacto con la pieza de trabajo, empuje gradualmente hacia abajo la empuñadura para cortar dicha pieza.
- Después de haber cortado la pieza de trabajo con la profundidad deseada, desconecte la alimentación de la herramienta eléctrica y deje que la hoja de sierra se pare completamente antes de levantar la empuñadura de la pieza de trabajo para devolverla a su posición de completamente retraída.

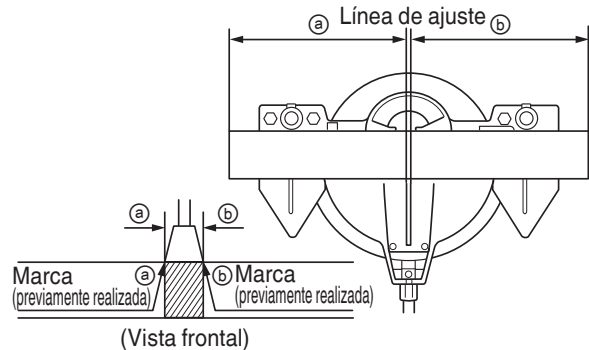


Fig. 16

⚠ ADVERTENCIA:

- * Cuando no vaya a utilizar la herramienta, confirme que el interruptor de disparo esté en OFF y de que el enchufe del cable de alimentación esté desconectado del tomacorriente.
- * Cuando corte la pieza de trabajo, evite realizar cortes más delgados que la holgura existente entre el borde de corte y la hoja de sierra. De lo contrario, el material cortado podría penetrar dentro de esta holgura y los fragmentos podría esparcirse, provocándole lesiones.

⚠ PRECAUCIÓN:

- * El aumento de la presión sobre la empuñadura no aumentará la velocidad de corte. Por el contrario, la presión excesiva puede resultar en sobrecarga del motor y/o en reducción de la eficacia de corte.
- * Si presiona la empuñadura con una fuerza excesiva o lateral, la hoja de sierra podría vibrar durante la operación de corte y provocar marcas innecesarias sobre la pieza de trabajo, perjudicando la calidad del corte. Por consiguiente, cuando presione la empuñadura hacia abajo, hágalo suavemente y con cuidado.

- Procedimiento de corte de ingletes
 - Afloje la empuñadura lateral y empuja la palanca para los topes de ángulo. Luego, ajuste la mesa giratoria hasta que el indicador se alinee con el ajuste deseado de la escala de ángulos de inglete (Fig. 17).
 - Vuelva a apretar la empuñadura lateral para asegurar la mesa giratoria en la posición deseada.

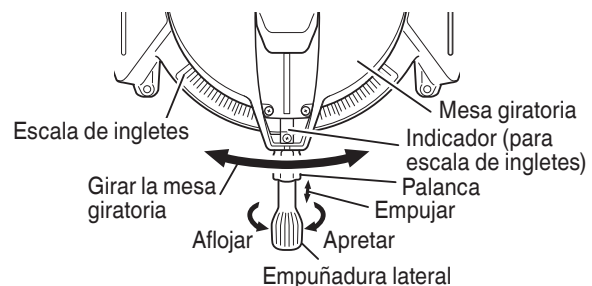


Fig. 17

NOTA:

- * En las posiciones hacia la derecha y la izquierda existen paradas a 0°, centro, 15°, 22.5°, 31.6°, y 45°. Compruebe que la escala de ingletes y la punta del indicador estén adecuadamente alineadas.
- * La operación de la sierra con la escala de ingletes y el indicador desalineados, o con la empuñadura lateral sin apretar adecuadamente, resultará en un corte con mala precisión.

⚠ PRECAUCIÓN:
No retire nunca la empuñadura lateral. Es sumamente peligroso utilizar la herramienta sin la empuñadura lateral. Para evitar accidentes o lesiones, siempre sujete firmemente la empuñadura lateral.

5. Procedimientos de corte de ingletes
- (1) Afloje la manivela de abrazadera e incline la hoja de sierra hacia la izquierda.
 - (2) Ajuste el ángulo de inclinación hasta el valor deseado observando la escala de ángulos de bisel y el indicador, y después asegure la manivela de la abrazadera.

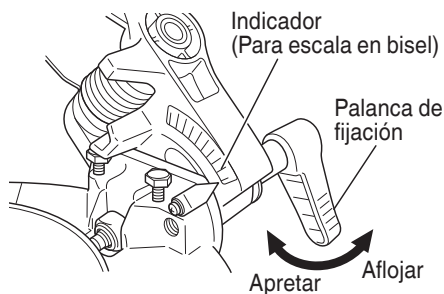


Fig. 18

⚠ ADVERTENCIA:

Cuando la pieza de trabajo esté asegurada en la parte izquierda o derecha de la hoja de sierra, la parte de corte corto entrará en contacto con el resto de la parte derecha o izquierda de dicha hoja. Desconecte siempre la alimentación y deje que la hoja de sierra se pare completamente antes de levantar le empuña dura de la pieza de trabajo.

Si levanta la empuñadura mientras la hoja de sierra está girando, la pieza de corte puede atascarse contra la hoja de sierra haciendo que se esparzan peligrosamente virutas.

Cuando pare en la mitad la operación de corte en bisel, comience a cortar después de haber devuelto la cabeza del motor hasta la posición inicial.

Si comenzase en el medio, sin haber tirado hacia atrás, la cubierta de seguridad podría quedar enganchada en la ranura de corte de la pieza de trabajo y entrar en contacto con la pieza de trabajo.

6. Procedimientos de corte compuesto
- El corte compuesto podrá realizarse siguiendo las instrucciones de 4 y 5 anteriores. Con respecto a las dimensiones máximas del corte compuesto, consulte "ESPECIFICACIONES" de la página 38.

⚠ PRECAUCIÓN:

Siempre asegure la pieza de trabajo con el lado derecho para el corte compuesto. No gire nunca la mesa hacia la derecha para el corte compuesto, debido a que la hoja de sierra podría entrar en contacto con el sujetador o con el tornillo de carpintero que asegura a la pieza de trabajo, y causar lesiones o daños.

7. Procedimientos de corte con moldura en vértice
- En la Fig. 19 se muestran los tipos de moldura en vértice con ángulos de 38° y 45°.
- Con respecto a las molduras en vértice típicas, consulte la Fig. 20.

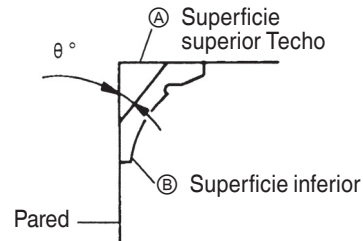


Fig. 19

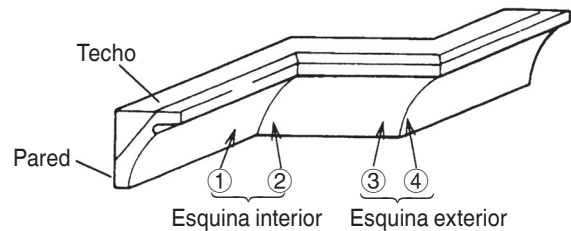


Fig. 20

En la tabla siguiente se muestran los ajustes de ángulo de ingletes y de corte en bisel para los dos tipos de moldura en el vértice.

NOTA:

Por motivos de comodidad, existen posiciones con parada para los ajustes de corte de ingletes (izquierda y derecha de 31.6°).

Para el ajuste de corte de ingletes

Si la mesa giratoria ha sido ajustada a cualquiera de los ángulos descritos, mueva la empuñadura lateral de ajuste de la misma un poco hacia la derecha o hacia la izquierda para estabilizar la posición y para alinear apropiadamente la escala de ángulos ingletes y la punta del indicador antes de iniciar la operación.

Para el ajuste del corte en bisel

Mueva la empuñadura de la sección de bisel hacia la izquierda y compruebe que la posición sea estable, y que la escala de ángulos de bisel y la punta del indicador estén adecuadamente alineadas. Después apriete la manivela de la abrazadera.

Tipo de moldura en vértice	Para procesar la moldura en vértices en las posiciones ① y ④ de la Fig. 20.		Para procesar la moldura en vértices en las posiciones ② y ③ de la Fig. 20.	
	Ajuste del ángulo de ingletes	Ajuste del ángulo de corte en bisel	Ajuste del ángulo de ingletes	Ajuste del ángulo de corte en bisel
Tipo de 45°	35.3° hacia la derecha (marca ↓)	30° hacia la izquierda (marca ↓)	35.3° hacia la izquierda (marca ↓)	30° hacia la izquierda (marca ↓)
Tipo de 38°	31.6° hacia la derecha (marca ↓)	33.9° hacia la izquierda (marca ↓)	31.6° hacia la izquierda (marca ↓)	33.9° hacia la izquierda (marca ↓)

- 1) Ajuste para cortar molduras en vértice a los posiciones ① y ④ de la Fig. 20 (consulte la Fig. 21, incline la cabeza hacia la izquierda):
 - ① Gire la mesa giratoria hacia la derecha y ajuste el ángulo de ingletes de la forma siguiente:
 - * Para molduras en vértice de tipo de 45°: 35.3° (marca ↓)
 - * Para molduras en vértice de tipo de 38°: 31.6° (marca ↓)
 - ② Incline la cabeza hacia la izquierda y ajuste el ángulo de corte en bisel de la forma siguiente:
 - * Para molduras en vértice de tipo de 45°: 30° (marca ↓)
 - * Para molduras en vértice de tipo de 38°: 33.9° (marca ↓)
 - ③ Coloque la moldura en el vértice de forma que la superficie superior (A) de la Fig. 19) entre en contacto con la escuadra de guía como se indica en la Fig. 23
- 2) Ajuste para cortar molduras en vértice a los posiciones ② y ③ de la Fig. 20 (consulte la Fig. 22, incline la cabeza hacia la izquierda):
 - ① Gire la mesa giratoria hacia la derecha y ajuste el ángulo de ingletes de la forma siguiente:
 - * Para molduras en vértice de tipo de 45°: 35.3° (marca ↓)
 - * Para molduras en vértice de tipo de 38°: 31.6° (marca ↓)
 - ② Incline la cabeza hacia la izquierda y ajuste el ángulo de corte en bisel de la forma siguiente:
 - * Para molduras en vértice de tipo de 45°: 30° (marca ↓)
 - * Para molduras en vértice de tipo de 38°: 33.9° (marca ↓)
 - ③ Coloque la moldura en el vértice de forma que la superficie superior (B) de la Fig. 19) entre en contacto con la escuadra de guía como se indica en la Fig. 24.

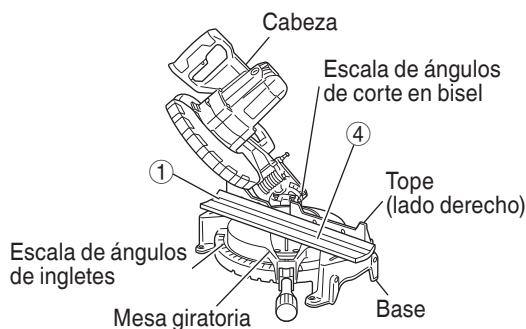


Fig. 21

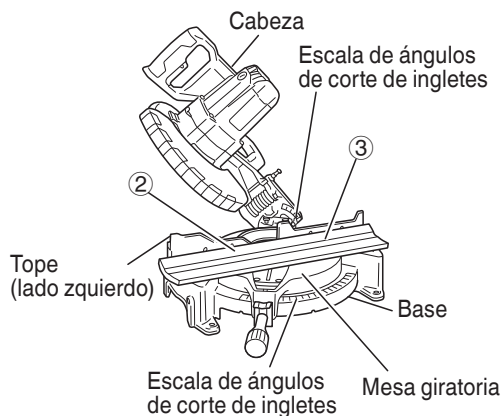


Fig. 22

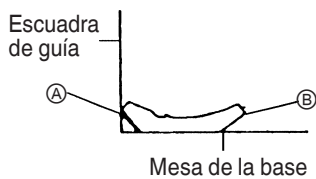


Fig. 23

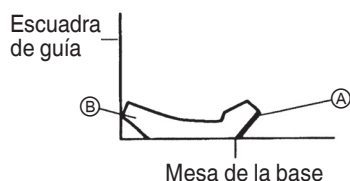


Fig. 24

Método de corte de moldura en vértice sin inclinar la hoja de sierra

(1) Las topes de moldura en vértice (L) y (R) (accesorios opcionales) permiten facilitar los cortes de la moldura en vértice, sin inclinar la hoja de sierra. Instálelas en ambos lados de la base, tal como se muestra en la Fig. 25-a. Después de la inserción, apriete el perno de perilla de 6mm para asegurar los topes de moldura en vértice.

[Accesorios opcionales utilizados]

- Conj. de tornillo de carpintero para moldura en vértice (Incluye tope de moldura en vértice (L))
- Tope de moldura en vértice (L)
- Tope de moldura en vértice (R)

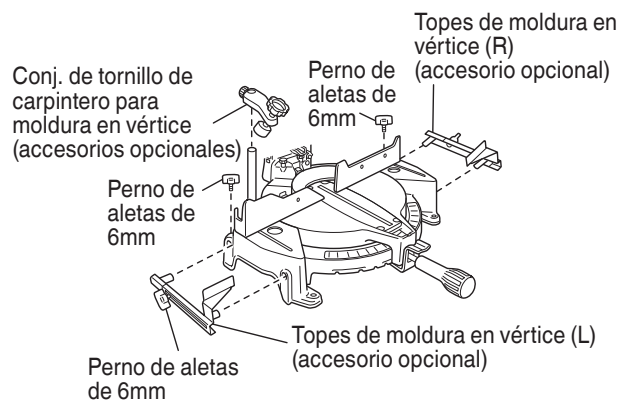


Fig. 25-a

- (2) La prensa de tornillo de moldeado de la corona (B) (accesorio opcional) puede ser montada en el lado izquierdo o derecho del tope. Es posible combinar con la inclinación de la moldura en vértice, pudiéndose presionar el conj. de tornillo de carpintero hacia abajo. Luego gire la perilla superior, según se requiera para que la moldura en vértice quede fijada en su lugar. Para levantar o bajar el conjunto de tornillo de carpintero, afloje primero el perno de perilla de 6mm. Después de ajustar la altura, apriete firmemente el perno de aletas de 6mm; luego gire la perilla superior, según se requiera, para que la moldura en vértice quede fijada firmemente en su lugar. (Consulte la Fig. 25-b)

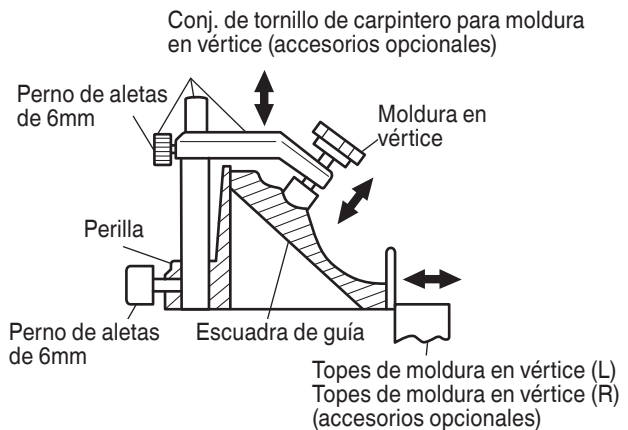


Fig. 25-b

⚠ ADVERTENCIA:

Siempre asegure firmemente la moldura en vértice a la escuadra de guía; de lo contrario, la misma podría zafarse de la mesa y producir lesiones.

No efectúe el corte en bisel. El cuerpo principal o la hoja de sierra podría entrar en contacto con la escuadra de guía secundaria, y producir lesiones.

⚠ PRECAUCIÓN:

Siempre compruebe que la cabeza del motor (véase Fig. 1) no haga contacto con el conj. de tornillo de carpintero para moldura en vértice cuando lo baje para realizar el corte. Si existe el riesgo de que esto suceda, afloje el perno de perilla de 6mm y mueva el conj. de tornillo de carpintero para moldura en vértice a una posición en que no haga contacto con la hoja de sierra.

Posicione la moldura en vértice con su BORDE EN CONTACTO CON LA PARED contra la escuadra de guía y su BORDE DE CONTACTO CON EL TECHO contra los topes de moldura en vértice, tal como se observa en la Fig. 25-b.

Ajuste los topes de moldura en vértice de acuerdo con el tamaño de la moldura en vértice.

Apriete el perno de aletas de 6mm para asegurar los topes de la moldura en vértice.

8. Corte fácil de materiales deformados, tales como vidrieras corredizas de aluminio

Los materiales tales como vidrieras corredizas de aluminio pueden deformarse fácilmente si se aprietan demasiado con el conjunto de tornillo de carpintero. Esto causará el corte ineficaz y posiblemente la sobrecarga del motor.

Cuando corte tales materiales, utilice un tablón de madera para proteger la pieza de trabajo como se muestra en la Fig. 26-a. Coloque la tabla de madera cerca de la sección de corte.

Cuando corte materiales de aluminio, recubra la hoja de sierra con aceite para corte (no consumible) a fin de lograr un corte uniforme y un acabado fino.

Asimismo, en el caso de una pieza de trabajo en forma de U, utilice un tablón de madera, tal como se observa en la Fig. 26-b para asegurar estabilidad en la dirección lateral, y asegúrela cerca de la sección de corte de la pieza de trabajo. Luego realice el apriete utilizando tanto el conjunto de tornillo de carpintero y abrazadera disponible en las tiendas del ramo.

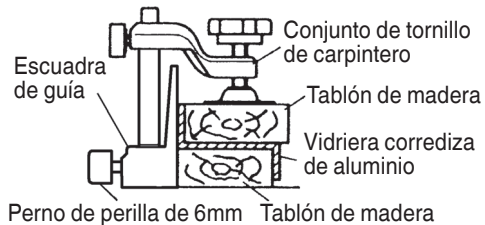


Fig. 26-a

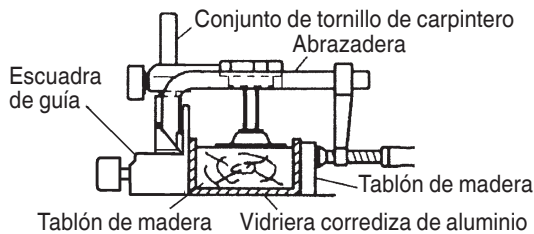


Fig. 26-b

9. Forma de utilizar la bolsa para el polvo (Accesorio estándar)

- (1) Cuando la bolsa para el polvo esté llena de polvo, dicho polvo saldrá soplando de la bolsa para el polvo cuando gire la hoja de sierra. Compruebe periódicamente y vacíe la bolsa para el polvo antes de que se llene.
- (2) Durante el corte en bisel y compuesto, fije la bolsa para el polvo en ángulo recto con relación a la superficie de la base como se muestra en la Fig. 27.

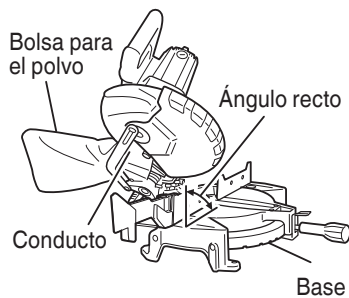


Fig. 27

⚠ PRECAUCIÓN:

Vacíe frecuentemente la bolsa para el polvo para evitar que se atasquen el conducto y la cubierta de seguridad. Durante el corte en bisel se acumulará más polvo de lo normal.

MONTAJE Y DESMONTAJE DE LA HOJA DE SIERRA

⚠ ADVERTENCIA:

* Para evitar accidentes o lesiones, suelte siempre el interruptor de disparo y desconecte el enchufe del cable de alimentación del tomacorriente antes de extraer o instalar la hoja de sierra. Si se realizara la tarea de corte sin haber apretado suficientemente el perno, éste se podría aflojar, la hoja se podría salir y el revestimiento de protección inferior se podría dañar provocando lesiones.

Compruebe asimismo que los pernos se encuentren correctamente apretados antes de desenchufar la clavija de alimentación de la toma de corriente.

* Si se instalaran o retiraran los pernos utilizando una herramienta que no sea la llave de barra hex. 5mm (accesorio estándar), se producirá un apriete excesivo o inadecuado, lo cual podría provocar lesiones.

1. Montaje de la hoja de sierra (Fig. 28-a, Fig. 28-b y Fig. 28-c)
- (1) Gire el revestimiento de protección inferior (de plástico) hasta la posición superior.
- (2) Presione el bloqueador del huso y afloje el perno con la llave de barra hex. 5mm (accesorio estándar). Como el perno está roscado hacia la izquierda, aflójelo girándolo hacia la derecha como se muestra en la Fig. 28-b.

NOTA:

Si el bloqueador del huso no puede presionarse fácilmente para bloquear el huso, gire el perno con la llave de barra hex. 5mm (accesorio estándar) presionándolo. El cubo de la hoja de sierra se bloqueará al presionar hacia adentro el bloqueador del mismo.

- (3) Quite el perno, la arandela (D) y la arandela (E).



Fig. 28-a

- (4) Levante el revestimiento de protección inferior y monte la hoja de sierra.

⚠ ADVERTENCIA:

Cuando monte la hoja de sierra, confirme que la marca del indicador de rotación de la misma y del sentido de giro de la caja de engranajes (consulte la Fig. 1) hayan quedado correctamente adaptadas.

- (5) Limpie bien la arandela (D), la arandela (E) y el perno, e instálelos en el huso de la cuchilla de la sierra.

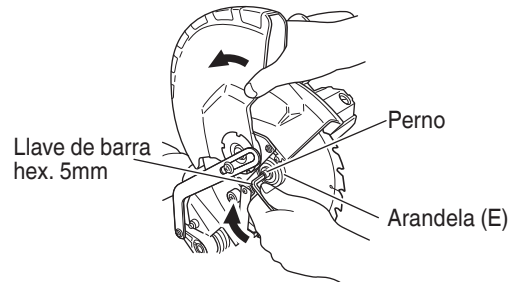


Fig. 28-b

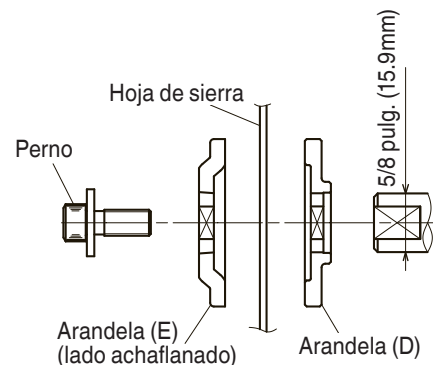


Fig. 28-c

- (6) Presione el bloqueador del huso y apriete el perno girándolo hacia la izquierda con la llave de accesorio estándar (llave de barra hex. 5mm), como se indica en la Fig. 28-b.

⚠ PRECAUCIÓN:

- * Después de haber instalado o extraído la hoja de sierra, confirme que el bloqueador del huso haya vuelto a la posición de retracción.
- * Apriete el perno de forma que no se afloje durante la operación. Confirme que el perno haya quedado adecuadamente apretado antes de poner en funcionamiento la herramienta.

2. Desmontaje de la hoja de sierra
Desmonte la hoja de sierra invirtiendo el proceso de montaje descrito en el párrafo 1 anterior.
La hoja de sierra podrá extraerse fácilmente después de levantar la cubierta de seguridad.

⚠ PRECAUCIÓN:

- No intente instalar nunca hojas de sierra de diámetro superior a 10 pulg. (255mm).
Siempre instale hojas de sierra que tengan entre 9-21/32" (245 mm) y 10 pulg. (255 mm) de diámetro.

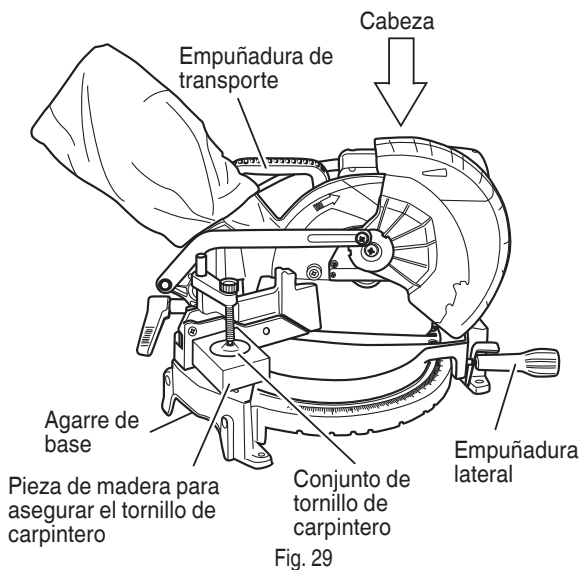
TRANSPORTE DEL CUERPO PRINCIPAL

El conjunto de tornillo de carpintero podría caerse durante el transporte. Retire el conjunto o deslice un trozo de madera entre el tornillo de carpintero para fijarlo firmemente.

Deje caer la cabeza e inserte el pasador de bloqueo (consulte la pág.39 "Liberación del pasador de bloqueo").

Gire y afloje la empuñadura lateral, gire la mesa giratoria lo más a la derecha posible y asegúrela girando la empuñadura hacia la posición fija. Esto hará que el cuerpo principal sea aún más compacto.

Al transportar el cuerpo principal, llévalo en sus brazos, sujetando la empuñadura ubicada en la base con ambas manos o el mango de transporte.



MANTENIMIENTO E INSPECCIÓN

⚠ ADVERTENCIA:

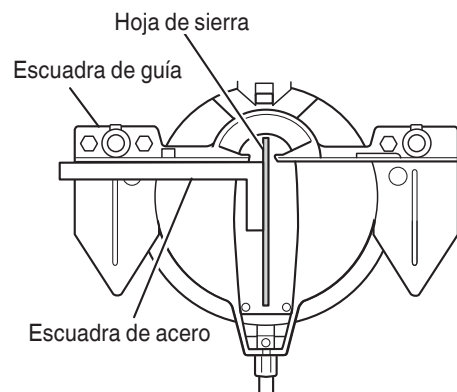
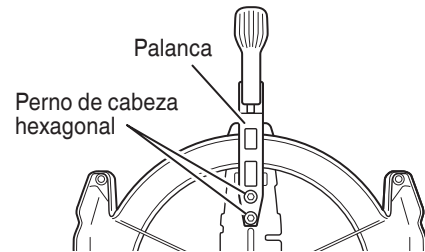
Para evitar accidentes o lesiones, confirme que el interruptor de disparo esté en OFF y de que el enchufe del cable de alimentación esté desconectado del tomacorriente antes de realizar cualquier operación de mantenimiento o de inspección de esta herramienta.

1. Inspección de la hoja de sierra
Reemplace la hoja de sierra inmediatamente después de haber notado cualquier signo de deterioro o daño.
Una hoja de sierra dañada puede causar lesiones, y otra desgastada puede causar la operación inefectiva o la posible sobrecarga del motor.

⚠ PRECAUCIÓN:

No utilice nunca una hoja de sierra mellada. Cuando la hoja de sierra esté mellada, su resistencia a la presión de la mano aplicada por la empuñadura de la herramienta tiende a aumentar, haciendo que la herramienta eléctrica funcione de forma insegura.

2. Inspección de la palanca
Si los pernos (2) de cabeza hexagonal M6 están flojos, alinee los laterales del tope-guía y de la hoja de sierra con la escuadra de acero. Después de ajustar la hoja de sierra y el tope-guía a un ángulo de noventa grados, apriete la palanca asegurando los pernos (2) de cabeza hexagonal.



3. Inspección de las escobillas (Figs. 31 y 32)
Las escobillas del motor son piezas fungibles. Si las escobillas se desgastan excesivamente, es posible que el motor tenga problemas.
Por lo tanto, inspeccione periódicamente las escobillas y reemplácelas cuando se hayan desgastado hasta la línea límite mostrada en la Fig. 31. Además, mantenga las escobillas limpias de forma que se deslicen suavemente dentro de los portaescobillas.
Las escobillas podrán extraerse fácilmente después de haber quitado las tapas de los portaescobillas (consulte la Fig. 32) con un destornillador de punta plana.

NOTA:

Cuando cambie las escobillas de carbón, utilice solamente las escobillas metabo HPT conteniendo "43" los dos últimos dígitos de su n° de código (vea la Fig. 31). Si usa otras escobillas de carbón, el freno eléctrico no funcionará.

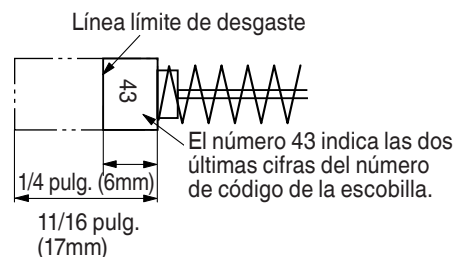




Fig. 32

4. Cómo tratar el motor (consulte la Fig. 1)
El devanado del motor es el "corazón" mismo de esta herramienta. Preste suma atención para asegurarse de que el devanado no se dañe y/o se humedezca con aceite o agua.

NOTA:

La acumulación de polvo u otras impurezas en el interior del motor puede provocar fallos de funcionamiento. Después de usar el motor alrededor de unas 50 horas, efectúe el funcionamiento sin carga, y sople aire seco desde el orificio provisto en la parte trasera del motor. Esta acción es sumamente eficaz para descargar el polvo y similar.

5. Inspección de los tornillos
Inspeccione regularmente cada componente de la herramienta eléctrica para ver si están flojos.
Reapriete los tornillos y cualquier pieza floja.

⚠ ADVERTENCIA:

Para evitar lesiones, no utilice nunca la herramienta eléctrica si tiene alguna pieza floja.

6. Inspección del funcionamiento del revestimiento de protección inferior
Antes de utilizar la herramienta, pruebe el revestimiento de protección inferior (consulte la Fig. 7) para asegurarse de que esté en buenas condiciones, y de que se mueva uniformemente.
No utilice nunca la herramienta a menos que el revestimiento de protección inferior funcione de forma adecuada y esté en buenas condiciones mecánicas.
7. Almacenamiento
Después de haber utilizado la herramienta eléctrica, compruebe si:
- (1) El interruptor de disparo está en la posición OFF,
 - (2) El enchufe del cable de alimentación está desconectado del tomacorriente de CA,
 - (3) Para evitar la utilización no autorizada de esta herramienta, inserte un candado a través del orificio del interruptor de disparo.
Cuando no vaya a utilizar la herramienta, guárdela en un lugar seco fuera del alcance de niños.
8. Lubricación
Lubrique las superficies deslizables siguientes una vez al mes a fin de mantener la herramienta eléctrica en buenas condiciones de operación durante mucho tiempo (consulte la Fig. 1 y la Fig. 2). Se recomienda la utilización de aceite para máquinas.
Puntos de suministro de aceite:
- * Parte giratoria de la bisagra
 - * Parte giratoria del conjunto del tornillo de carpintero
9. Limpieza
Limpie la máquina, el conducto y la protección inferior con aire seco de una pistola de aire u otra herramienta.
Limpie periódicamente las virutas y demás materiales de la superficie de la herramienta eléctrica, especialmente del interior del revestimiento de protección inferior, con un paño humedecido en una solución jabonosa.
Para evitar el mal funcionamiento del motor, protéjalo contra el aceite y el agua.

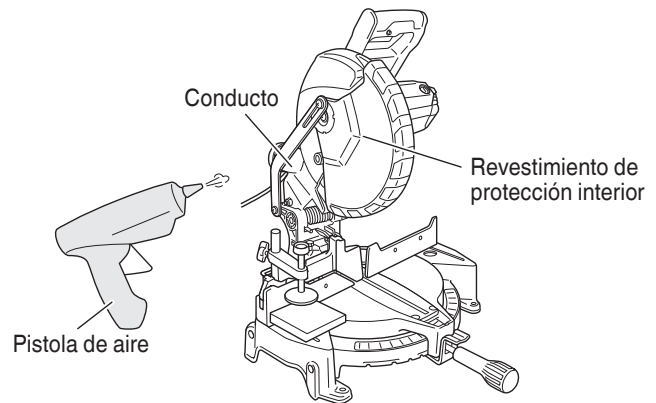


Fig. 33

⚠ PRECAUCIÓN:
En el manejo y el mantenimiento de las herramientas eléctricas, se deberán observar las normas y reglamentos vigentes en cada país.

MODIFICACIONES:

metabo HPT Power Tools introduce constantemente mejoras y modificaciones para incorporar los últimos avances tecnológicos.
Por consiguiente, algunas partes pueden ser modificadas sin previo aviso.

SERVICIO Y REPARACIONES

Todas las herramientas eléctricas de calidad necesitan el servicio o el reemplazo de piezas debido al desgaste por el uso. Para asegurarse de que solamente se utilicen piezas de reemplazo autorizadas y el sistema de doble aislamiento, todos los trabajos de servicio (excepto el mantenimiento rutinario) deberán realizarse **SOLAMENTE EN UN CENTRO DE REPARACIONES DE HERRAMIENTAS ELÉCTRICAS AUTORIZADO POR metabo HPT.**

NOTA:

Las especificaciones están sujetas a cambio sin previo aviso sin ninguna obligación por parte de metabo HPT.

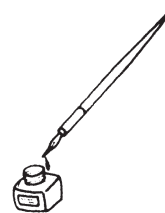
GUIA DE IDENTIFICACION DE PROBLEMAS

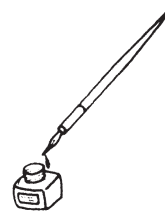
 **ADVERTENCIA:**

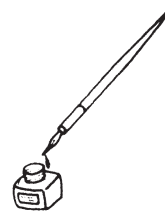
- Para evitar sufrir lesiones debido a un arranque accidental, ponga el interruptor en la posición OFF (apagado) y retire el enchufe de la lijadora de la fuente de alimentación antes de hacer cualquier ajuste.
- Todas las reparaciones eléctricas o mecánicas deberán ser realizadas únicamente por técnicos de servicio calificados. Póngase en contacto con un Centro de Servicio Autorizado de metabo HPT.

GENERALIDADES

PROBLEMA	CAUSA PROBABLE	SOLUCION
La sierra no funciona.	1. La sierra no está enchufada. 2. Interruptor defectuoso. 3. Fusible fundido o disyuntor disparado. 4. El cordón está dañado. 5. Escobillas gastadas, rotas.	1. Enchufe la sierra. 2. Haga reemplazar el interruptor en su Centro de Servicio Autorizado. 3. Reemplace el fusible o reponga el disyuntor. 4. Haga reemplazar el cordón en su Centro de Servicio Autorizado. 5. Reemplace las escobillas.
La sierra no hace cortes satisfactorios.	1. Hoja no afilada. 2. La hoja está instalada al revés. 3. La hoja tiene goma o brea. 4. Hoja incorrecta para el trabajo que se está realizando.	1. Reemplace la hoja. 2. Dé vuelta la hoja. 3. Saque la hoja y límpiela con aguarrás y lana de acero áspera. 4. Cambie la hoja.
La hoja no alcanza velocidad.	1. Cordón de extensión muy delgado o demasiado largo. 2. Bajo voltaje.	1. Reemplace el cordón por uno de tamaño adecuado. 2. Póngase en contacto con la compañía de electricidad.
La sierra vibra excesivamente.	1. El perno de la hoja no está apretado. 2. La sierra no está instalada firmemente en el banco de trabajo. 3. El banco de trabajo está en suelo disparejo. 4. La hoja o las bridas de la hoja no están limpias.	1. Apriete el perno de la hoja. 2. Apriete toda la ferretería de montaje. 3. Coloque el banco en una superficie plana. 4. Limpie la hoja y las bridas de las hojas.
No hace cortes a ingletes precisos	1. La hoja de la sierra está dañada. 2. El tope positivo no está correctamente ajustado. 3. La pieza de trabajo se mueve.	1. Reemplace la hoja. 2. Verifique y ajuste el tope positivo. 3. Sujete la pieza firmemente a la escuadra de guía.
El material pellizca la hoja.	1. Se está cortando material curvado en la posición incorrecta.	1. Coloque el material curvado correctamente (el lado convexo hacia la guía trasera).







WARNING:

Some dust created by power sanding, sawing, grinding, drilling, and other construction activities contains chemicals known to the State of California to cause cancer, birth defects or other reproductive harm. Some examples of these chemicals are:

- Lead from lead-based paints,
- Crystalline silica from bricks and cement and other masonry products, and
- Arsenic and chromium from chemically-treated lumber.

Your risk from these exposures varies, depending on how often you do this type of work. To reduce your exposure to these chemicals: work in a well ventilated area, and work with approved safety equipment, such as those dust masks that are specially designed to filter out microscopic particles.

AVERTISSEMENT:

La poussière résultant d'un ponçage, d'un sciage, d'un meulage, d'un perçage ou de toute autre activité de construction renferme des produits chimiques qui sont connus par l'Etat de Californie pour causer des cancers, des défauts de naissance et autres anomalies de reproduction. Nous énumérons ci-dessus certains de ces produits chimiques:

- Plomb des peintres à base de plomb,
- Silice cristalline des briques et du ciment et autres matériaux de maçonnerie, et
- Arsenic et chrome du bois d'oeuvre traité chimiquement.

Le risque d'exposition à ces substances varie en fonction de la fréquence d'exécution de ce genre de travail. Pour réduire l'exposition à ces produits chimiques, travailler dans un lieu bien ventilé, et porter un équipement de protection agréé, par exemple un masque anti-poussière spécialement conçu pour filter les particules microscopiques.

ADVERTENCIA:

Algunos polvos creados por el lijado mecánico, el aserrado, el esmerilado, el taladrado y otras actividades de construcción contienen sustancias químicas conocidas por le Estado de California como agentes cancerígenos, defectos congénitos y otros daños reproductores. Algunos ejemplos de estas sustancias químicas son:

- El plomo de las pinturas a base de plomo,
- El sílice cristalino de los ladrillos y cemento y otros productos de mampostería, y
- El arsénico y el cromo de la madera tratada químicamente.

El riesgo resultante de la exposición varía según la frecuencia con que se realiza este tipo de trabajo. Para reducir la exposición a esta sustancias químicas: trabaje en un lugar bien ventilado y realice el trabajo utilizando el equipamiento apropiado, tal como las máscaras para el polvo especialmente diseñados para eliminar las partículas minúsculas.

Issued by

Koki Holdings Co., Ltd.

Shinagawa Intercity Tower A, 15-1, Konan 2-chome,
Minato-ku, Tokyo 108-6020, Japan

Distributed by

Koki Holdings America Ltd.

1111 Broadway Ave,
Braselton, Georgia, 30517

Koki Holdings America Ltd. Canadian Branch

3405 American Drive, Units 9-10,
Mississauga, ON, L4V 1T6