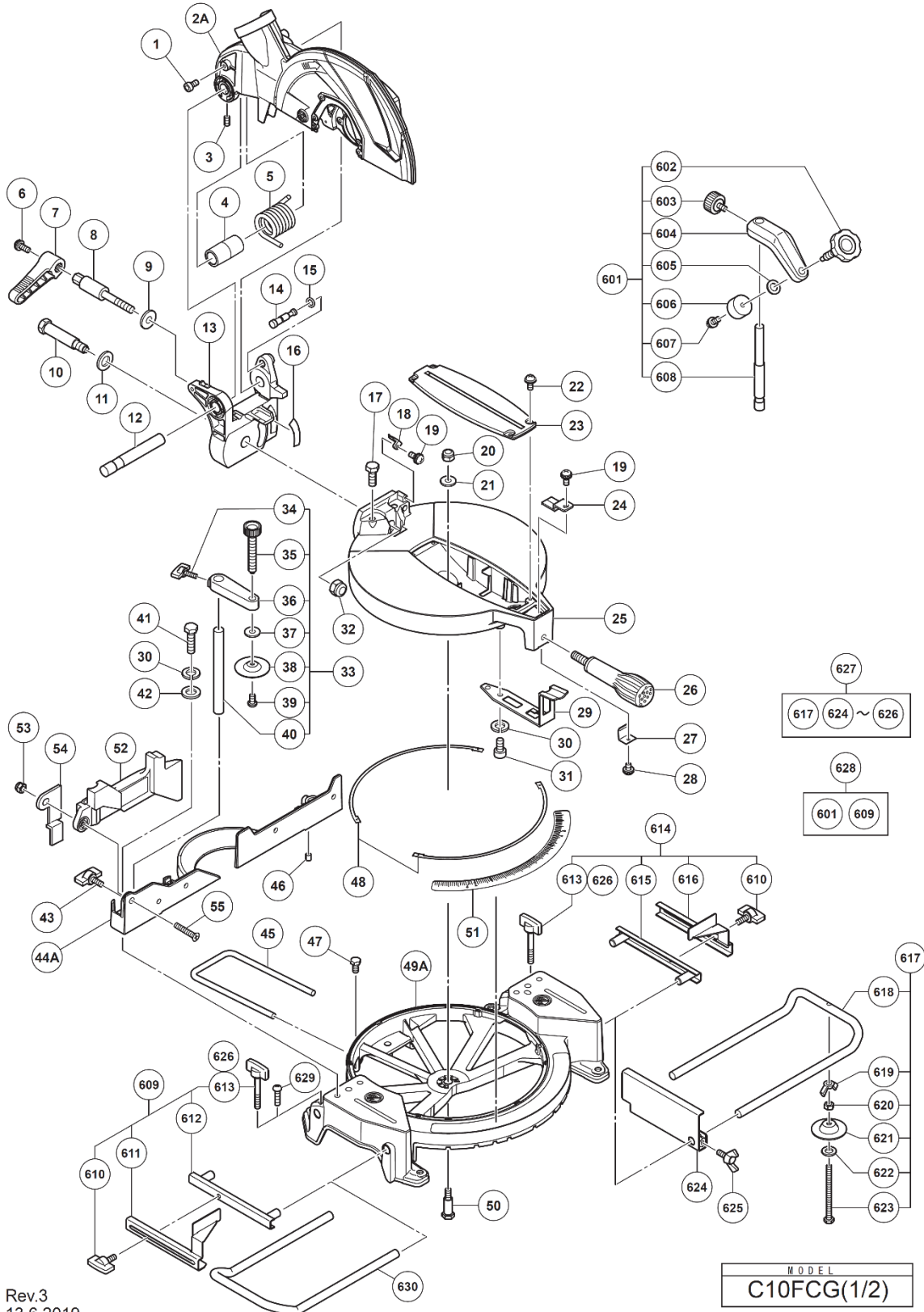
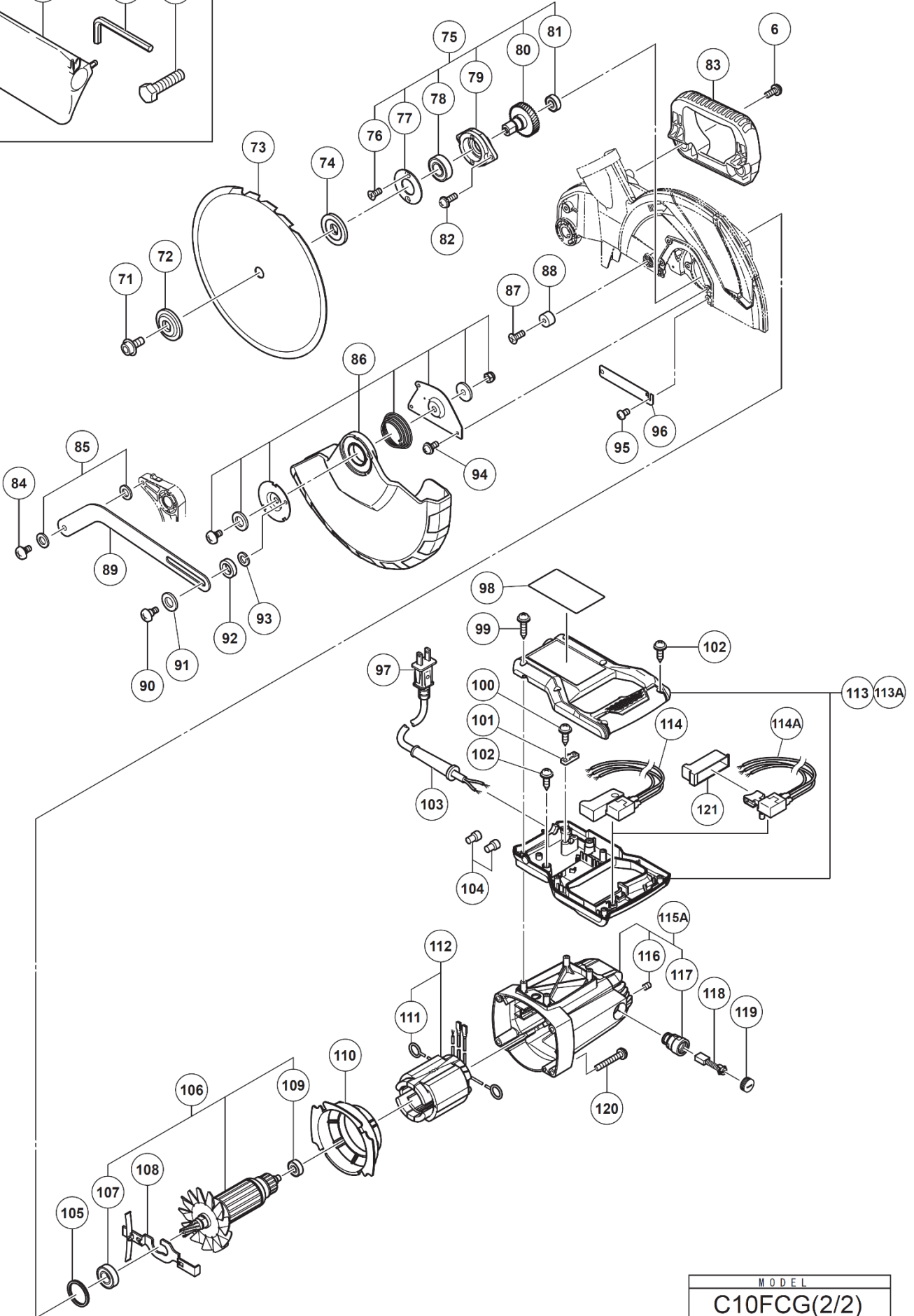
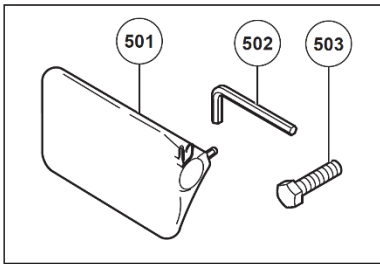


## ELECTRIC TOOL PARTS LIST

■ COMPOUND MITER SAW  
Model C 10FCG / S

2019 • 06 • 18  
(E1a)





MODEL  
C10FCG(2/2)

## PARTS

C10FCG / S

ITEM NO.	CODE NO.	DESCRIPTION	NO. USED	REMARKS
1	949819	HEX. SOCKET HD. BOLT M5X10 (10 PCS.)	1	
2A	371727M	GEAR CASE	1	
3	307956	SEAL LOCK HEX. SOCKET SET SCREW M6X10	1	
4	322889	SLEEVE	1	
5	322890	SPRING	1	
6	323208	MACHINE SCREW (W/WASHERS) M6X20 (BLACK)	3	
7	371742	CLAMP LEVER	1	
8	371743	BOLT (LEFT HAND) M10	1	
9	318934	SPECIAL WASHER	1	
10	371740	SHAFT (D)	1	
11	322934	WASHER M16	1	
12	322888	SHAFT (C)	1	
13	371732	HINGE	1	
14	302518	STOPPER PIN ASS'Y	1	INCLUD.15
15	984528	O-RING (P-6)	1	
16	371733	SCALE (B)	1	
17	303409	NYLOCK BOLT M8X25	2	
18	321329	INDICATOR	1	
19	304043	MACHINE SCREW (W/WASHERS) M4X10 (BLACK)	2	
20	371739	NYLON NUT M8	1	
21	318929	WASHER (F)	1	
22	333781	MACHINE SCREW (W/WASHER) M4X12 (BLACK)	4	
23	371729	TABLE INSERT	1	
24	322904	INDICATOR (A)	1	
25	371719	TURN TABLE	1	
26	322898	SIDE HANDLE	1	
27	326696	SPACER (A)	1	
28	317200	MACHINE SCREW (W/WASHERS) M4X8 (BLACK)	1	
29	322903	SPRING PLATE	1	
30	949457	SPRING WASHER M8 (10 PCS.)	5	
31	949655	HEX. SOCKET HD. BOLT M8X16 (10 PCS.)	2	
32	371741	NYLON NUT M12	1	
33	322952	WISE ASS'Y	1	INCLUD.34-40
34	301806	WING BOLT M6X15	1	
35	302522	KNOB BOLT M10X66	1	
36		SCREW HOLDER	1	
37	949432	BOLT WASHER M6 (10 PCS.)	1	
38	302532	WISE PLATE	1	
39	949216	MACHINE SCREW M4X10 (10 PCS.)	1	
40	322954	WISE SHAFT	1	
41	949678	BOLT M8X35 (10 PCS.)	3	
42	949433	BOLT WASHER M8 (10 PCS.)	3	
43	301806	WING BOLT M6X15	1	
44A	375117	FENCE	1	
45	326705	HOLDER	1	
46	931701	BEARING LOCK	1	
47A	949610	BOLT M6X10 (10 PCS.)	1	
48	371720	LINER (A)	2	
49A	372289	BASE ASS'Y	1	INCLUD.51
50	371738	SHAFT (B)	1	
51	372290	SCALE (A)	1	
52	326704	SUB FENCE (B)	1	SINCE 1.2019, FOR "S" MODEL
53	963837	NYLON NUT M6	1	SINCE 1.2019, FOR "S" MODEL
54	326711	PLATE (A)	1	SINCE 1.2019, FOR "S" MODEL
55	949342	FLAT HD. SCREW M6X25 (10 PCS.)	1	SINCE 1.2019, FOR "S" MODEL
71	371730	LEFT HEX. SOCKET BOLT M7	1	
72	371731	WASHER (E)	1	
73	318963	TCT SAW BLADE 255MM-D15.88 HOLE-NT24	1	
74	308789	WASHER (D)	1	
75	371725	SPINDLE ASS'Y	1	INCLUD.76-81
76	990430	SEAL LOCK FLAT HD. SCREW M4X10	2	
77	322919	BEARING COVER	1	
78	6003VV	BALL BEARING 6003VVCMP2L	1	



