

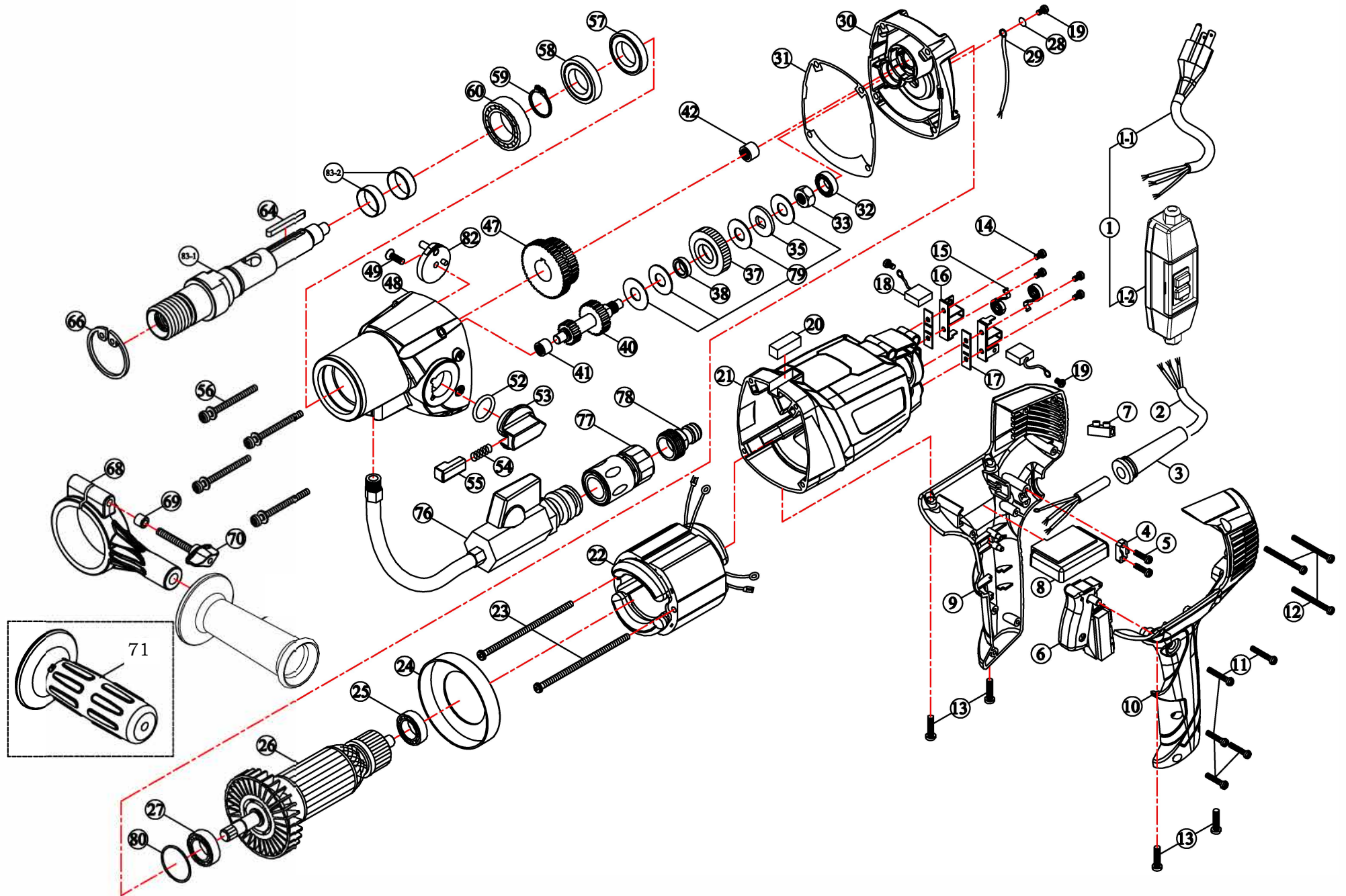


**DIAMOND CORE  
DRILLING MOTOR  
PARTS LIST**

**MODEL  
CB515**

JULY 2018





## CB515 110V PARTS LIST JULY 2018

<b>ITEM</b>	<b>PART NO</b>	<b>QTY</b>	<b>DESCRIPTION</b>
1	6078402	1	PRCD ASM W/ CORD AND MOLDED PLUG
1-1	6078494	1	PWR SUPPLY CABLE W/ PLUG 15AMP
1-2	6078495	1	PRCD INTERRUPTER PROTECTION (110V)
2	2709133	1	POWER SUPPLY CABLE W/O PLUG
3	6078403	1	CORD ARMOR
4	2709136	1	CABLE CLIP
5	2709146	2	PANHEAD TAPPING SCREW-B (M4x14)
6	2709114	1	SWITCH 110V
7	2709115	1	TERMINAL CONNECTOR BLOCK
8	2709116	1	ELECTRONIC UNIT (110V)
9	2709117	1	HANDLE R-SIDE
10	2709118	1	HANDLE L-SIDE
11	2709119	5	PANHEAD TAPPING SCREW-B (M4x20)
12	2709120	3	PANHEAD TAPPING SCREW-B (M4x35)
13	2709121	4	TORX PANHEAD TAPPING SCREW-C (M5x20)
14	2709122	4	PANHEAD TAPPING SCREW-B (M4x8)
15	2709123	2	BRUSH SPRING
16	2709124	2	BRUSH HOLDER
17	2709125	2	INSULATION PLATE
18	6078414	2	CARBON BRUSH
19	2709013	3	PANHEAD MACHINE SCREW (M4x6xP0.7)
20	2709128	1	BUBBLE LEVEL
21	2709129	1	MOTOR HOUSING
22	2709130	1	STATOR 110V
23	2709131	2	PANHEAD TAPPING SCREW-A (3/16"x3")
24	2709132	1	FAN SHROUD
25	6078427	1	BALL BEARING (6200)
26	2709134	1	ARMATURE 110V
27	2709135	1	BALL BEARING (6201)
28	6078432	1	EXTERNAL STAR WASHER (M4)
29	2709137	1	EARTH WIRE (Ø3x200MM)
30	2709138	1	GEAR PLATE
31	2709139	1	GASKET
32	2709140	1	BALL BEARING (608)
33	2709141	1	CLUTCH NUT
35	2709142	1	PRESSURE DISC
37	2709143	1	INPUT GEAR
38	2709144	1	BUSHING
40	2709145	1	INPUT SHAFT







## **EQUIPMENT AND PARTS WARRANTY**

Diamond Products warrants all equipment manufactured by it against defects in workmanship or materials for a period of 90 Days from the date of shipment to Customer. The responsibility of Diamond Products under this Warranty is limited to replacement or repair of defective parts at Diamond Products' Elyria, Ohio factory, or at a point designated by it, of such parts as shall appear to us upon inspection at such parts, to have been defective in material or workmanship, with expense for transportation and labor borne by Customer. In no event shall Diamond Products be liable for consequential or incidental damages arising out of the failure of any Product to operate properly.

THIS WARRANTY IS IN LIEU OF ALL OTHER WARRANTIES, EXPRESSED OR IMPLIED, AND ALL SUCH OTHER WARRANTIES ARE HEREBY DISCLAIMED.



333 Prospect Street, Elyria, Ohio 44035  
(440) 323-4616 • (800) 321-5336 • Fax (800) 634-4035  
[www.diamondproducts.com](http://www.diamondproducts.com)