

Chameleon Floor Vent Registers

Product Information Sheet

Use Chameleon Registers for hard-surface floors to provide a flush-mounted register that perfectly matches the surrounding material. Installer-cut segment pieces are attached to Chameleon Register channels for a perfect match and a flush fit. Use Chameleon Registers with ceramic tile, stone, wood, concrete, laminate or any hard-surface flooring material.

CHARACTERISTICS

Chameleons are constructed of custom-made aircraft-grade aluminum alloy extrusions that provide exceptional strength in any residential and most commercial applications. They are available in two channel thicknesses — 3/8" and 1/2" — to accommodate a wide range of flooring material.*

Chameleons consist of two parts: an outside frame flange and an inside center cradle. The center cradle portion of the register is removable from the outside frame just by lifting it out so that cleaning is easy and retrieving lost objects does not require cutting open underlying duct work. Air dampers are an add-on option for all 22 standard sizes.

Custom registers can be ordered and usually ship within five working days of order placement. Chameleon Registers are hand-built in the USA. They require an average of 80 weldments (separate dots of welded aluminum per register). All sizes are kept in inventory at all times, and orders usually ship same day from our facility in Vancouver, WA, which is four working days away from the central US and five working days to all Eastern addresses.

INSTALLATION NOTES

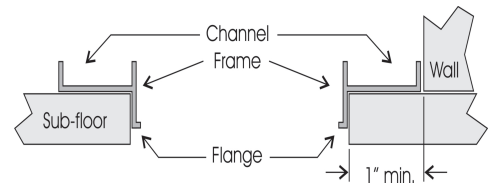
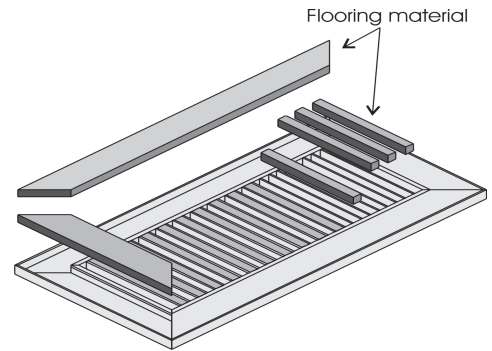
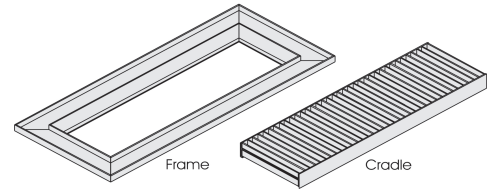
Fill material cuts can be produced in about 20 minutes on the jobsite using a standard tile wet saw. No other special installation skill or equipment is required, so a handy DIYer will be comfortable installing a Chameleon. Segment pieces can be attached to the channels using thin set or caulk (and clear silicone caulk works very well) for both the frame to the subfloor and the segment pieces to the aluminum channels. The center cradle grate is not adhered to the frame, thus allowing easy duct access.

SIZING

Ordering the correct register size requires providing the measurement of the opening of the floor. A 4X10" opening (i.e. "boot" size) will call for a 4X10 register. The actual register provided will have an outside dimension (OD) of exactly 6 X 12" (minus the 1/16"). This measurement scheme leads to a frame flange that sits on the subfloor, supports the cradle grate and is meant to be surrounded by tile. Thus, the register is fit to the opening first and then field tile is cut to fit around the register. This provides an integrated and flush appearance so field tile and register appear nearly as one.

* The 1/2" deep Chameleon Registers have a channel depth of exactly 1/2" (0.500"), which accommodates most stone material such as travertine. However, the channel depth of the 3/8" register actually measures 5/16" (0.294"). Many tile products will fit flush with this channel depth. There are also many tiles measuring a full 3/8" (0.375") and many marble tiles in the 0.400" range. So when the tile thickness is greater than 5/16" and a flush fit is sought, many installers choose to use the 1/2" register. With this choice, the installer can adjust the depth of the register frame to the fit of the subfloor, especially when a mud set is being used. Use more fill material to bring the segment pieces up to the height of the 1/2" channel.

Chameleon Register Component Parts



Manufactured by Isla Carmen LLC
229 E. Reserve St., Suite 104
Vancouver, WA 98661
Phone: 877-810-1428
Email or Fax:
chameleonregisters@gmail.com
Web: www.chameleonregisters.com

Chameleon Registers

are available in these standard sizes
(measure vent opening and order):

- 2 1/4 X 10"
- 2 1/4 X 12"
- 2 1/4 X 14"
- 3 X 10"
- 4 X 8"
- 4 X 10"
- 4 X 12"
- 4 X 14"
- 6 X 10"
- 6 X 12"
- 6 X 14"
- custom on request

All sizes are available in these two thicknesses:

- 3/8" material
- 1/2" material

Dampers are available for each size.