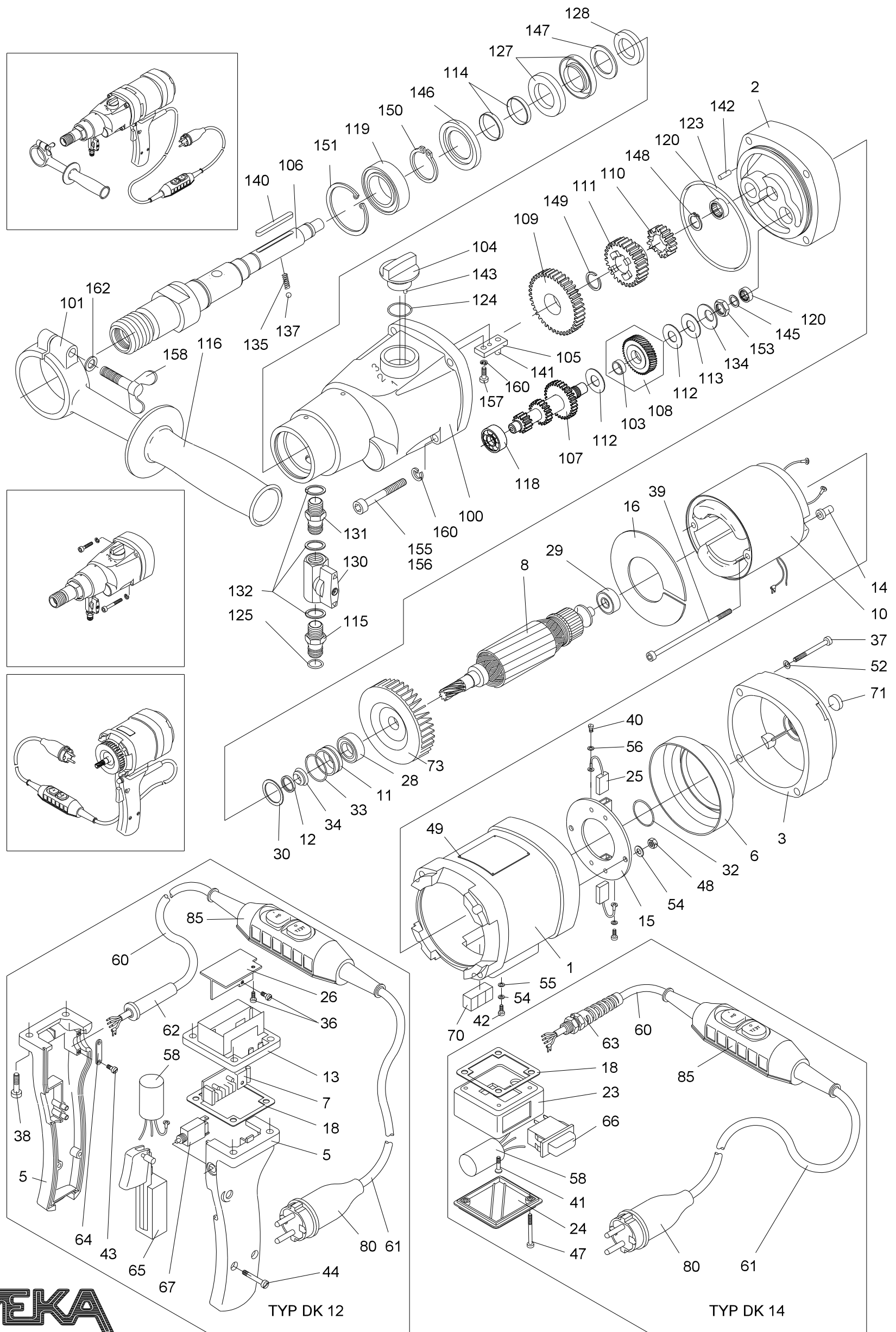


DIAMANT-KERNBOHRMASCHINE TYP DK 12/14



WEKA

Fig	Req.	Description	Weka Part	DP Part	Fig	Req.	Description	Weka Part	DP Part
1	1	Motorcase	DK10101	2700650	100	1	Gear Box	DK10201	2700936
2	1	Intermediate Flange	DK10102	2700651	101	1	Clamp Ring	DK12202	2700693
3	1	Motor Top Hood	DK10103	2700652	104	1	Gear Change Grip	DK10203	2700694
n/a	1	Protection Cover(For Top Level)	DK10104	2700653	105	1	Gear Change Lever	DK20205	2700695
5	1	Switch Handle 230V	DK12105	2701453	106	1	Drill Spindle cpl. w. Pos 114,135,137		
	1	Switch Handle 110V	DK12105.11	2701452			Tool Thread G 1/2"	DK10206	2700696
6	1	Insulating Ring	DK10106	2701197			Tool Thread 1-1/4 + G 1/2"	DK10206.3	2701395
7	1	Electronic Module 230V	DK10510	2701383	107	1	Pinion Shaft	DK10208	2700697
	1	Electronic Module 110V	DK10511	2701427	108	1	Clutch Wheel	DK12209	2700698
8	1	Armature w/Fan & Bearings 230V	DK10108	2701334	103	1	Bearing Socket(for clutch wheel)	DK10221	2700699
8	1	Armature w/Fan & Bearings 110V	DK10108.11	2700655	109	1	Gear Wheel 1	DK10212	2700700
10	1	Field compl. 230V	DK10109	2701335	110	1	Gear Wheel 3	DK10213	2700701
	1	Field compl. 110V	DK10109.11	2700656	111	1	Slide Gear Wheel	DK10214	2700702
11	1	Seal Bush	DK10113	2700657	112	2	Brake Disk	DK10218	2700703
12	1	Fixing Ring	DK10114	2700658	113	1	Pressure Disk	DK10219	2700704
13	1	Electronic Case 110V & 230V	DK10135	2701354	114	2	Protective Sleeve	DK10220	2700643
14	2	Fieldscrew Insulating Sleeve	DK10116	2700659	115	1	Quick Connect Nipple	DK20225	2700706
15	1	Brush Holder Disc	DK10117	2700660	116	1	Handle	DK12 8900014	2700707
16	1	Air Conducting Disk	DK10118	2700662	118	1	Ball Bearing	629 6062900	2700948
17	1	Mounting Plate 110V	DK10119	2700661	119	1	Ball Bearing	6005 2RS 6060052	2700708
	1	Mounting Plate 230V	DK12 DK12 DK12120	2701384	120	2	Needle Bush	HK1010 6310100	2700709
18	1	Terminal Case Packing	DK12 DK12 DK10122	2701567	123	1	O-Ring	RDR78x2 5578002	2700710
25	2	Carbon Brush 230V	DK10125	2701336	124	1	O-Ring	RDR20x3 5520003	2700711
	2	Carbon Brush 110V	DK10125.11	2700663	125	1	O-Ring	RDR11x2.5 5511025	2700712
26	1	Cooling Profile 110V & 230V	DK10140	2701385	127	2	Rotary Shaft Seal	AD24x40x7 5024407	2700713
28	1	Ball Bearing	6060011	2700664	128	1	Rotary Shaft Seal	AD22x35x7 5022357	2700714
29	1	Ball Bearing	6060002	2700665	130	1	Ball Valve with Grip	G1/4"i/l 7014001	2700715
30	1	Compensation Washer	2628171	2700666		1	Grip	7014005	2700925
32	1	O-Ring RDR26x2.5	4526025	2700667	131	1	Double Nipple	G1/4"a 7014002	2700716
33	1	O-Ring RDR24x1.5	4524015	2700668	132	3	Sealing Ring	G1/4" 7014003	2700717
34	1	V-Seal	5112000	2700669	134	1	Disk Spring	4028142	2700718
36	1	Thread Roll.Head Screw M4X6	0504006	2701386	135	1	Pressure Spring	0.5x3.2x16 4305016	2700719
37	4	Hex. Soc. Head Screw M5x35	0105035	2700670	137	1	Ball	RB-4 2204000	2700720
38a	*4	Raised Head Screw M5x25 DK12	0205025	2701203	140	1	Parallel Key	A5x5x40 3005040	2701087
38b	*4	Raised Head Screw M5x20 DK12	0205020	2700671	141	1	Parallel Pin	5m6x16 2505016	2700721
39	2	Fill. Head Screw M4x100	0204100	2700672	142	1	Parallel Pin	4m6x10 2504010	2700722
40	2	Fill. Head Screw M3x5	0203005	2700673	143	1	Parallel Pin	3m6x16 2503016	2700723
42	2	Sl. Pan Head Screw M4x6	0304006	2700674	145	1	Shim Ring	PS10x16x1 1910161	2700724
43	2	Pan Head Tapping Screw DK12	0539095	2700675	146	1	Supporting Ring	DK10204	2700992
44	2	Pan Head Tapping Screw DK12	0539019	2700676	147	1	Shim Ring	PS25x40x0.3 1925403	2701088
48	2	Hexagon Nut M4	1004000	2700677	148	1	Retaining Ring	AV14 3514001	2700726
49	4	Round Head Grooved Pin 2.3x4	2223004	2700678	149	1	Retaining Ring	SW18 3618000	2700727
52	4	Locking Washer SM5	1805000	2700735	150	1	Retaining Ring	25x1.2 3525012	2700728
54	3	Curved Spring Washer A4	1804137	2700680	151	1	Retaining Ring	47x1.75 2547175	2700729
55	1	Medium Washer 4.3	1804433	2700681	153	1	Hexagon Nut	BM12x1.5 1012015	2700730
56	2	Medium Washer 3.2	1803433	2700682	155	1	Hex. Soc. Head Screw	M5x80 0105080	2700731
58	1	Int. Suppr. Capacitor	DK10130	2700683	156	3	Hex. Soc. Head Screw	M5x50 0105050	2700732
61	1	Cord 110V/230V AWG 14	8738151	2700684	157	1	Hex. Soc. Head Screw	M5x16 0105016	2700733
62	1	Cord Sleeve	DK12 8701000	2700685	158	1	Wing Screw	M6x40 DK12 0506040	2700734
64	1	Cord Clamping Piece	DK12 8800010	2700686	160	5	Locking Washer	SM5 1805000	2700735
65	1	Motor Switch 110V/230V	DK12 8015212	2701454	162	1	Medium Washer	A 6 DK12 1806125	2700736
67	1	Motor Protective Switch 110V	8010615	2700688		1	Pointing Sticker	DK20620	2700737
68	1	Knurled Nut	DK12 8001001	2700689		1	Gear Oil 80W-90	4 oz 9012001	2700738
70	1	Tube Water-Level	7510029	2700690		1	Ball Valve Assembly(water shut-off)	7014000	2700806
71	1	Tin Water-Level	7500015	2700691					
73	1	Fan	DK20105	2700692					

NOTES: *Fig. 38a. Used on all 110V & 230V drills with electronic overload module.

*Fig. 38b. Used on all 110V drills with thermal motor protective switch.

****Slip torque** of clutch(pinion shaft out of drill mounted in bench vise) 12-14NM(8.8-10.3 ft-lbs)

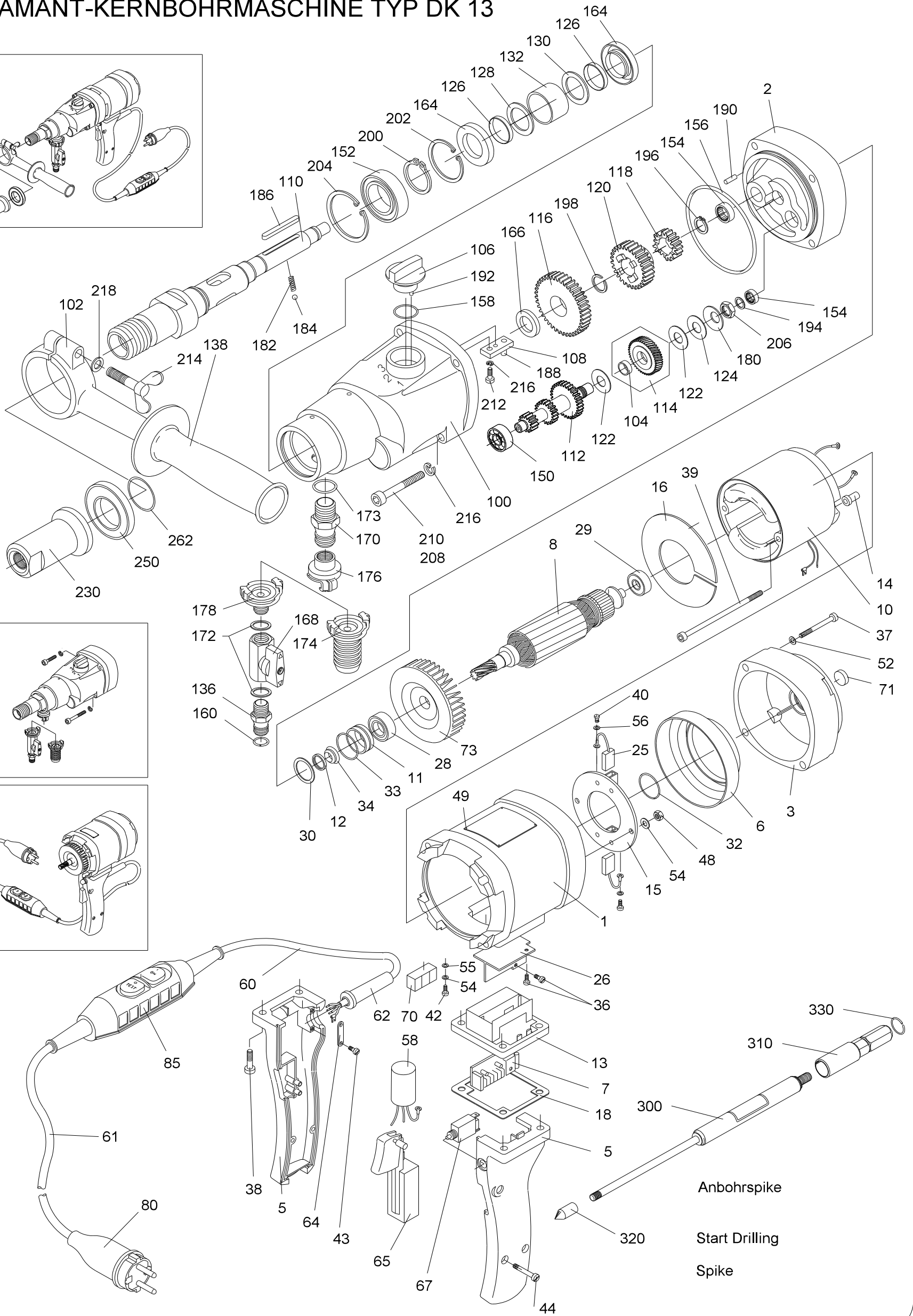
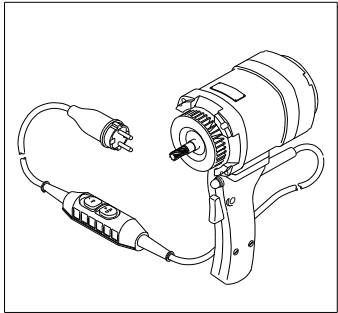
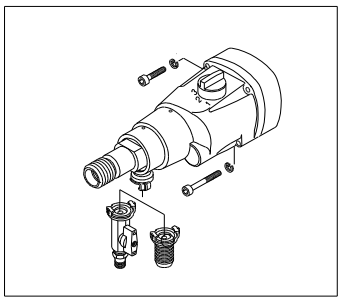
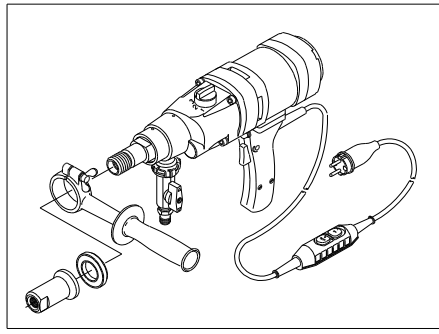
Overall drill length w/drill spindle G 1/2"(old style DK10206) w/5/8"-11 adapt. = **15.750"

w/1-1/4"-7 adapt. = **16.750"**

Overall drill length w/drill spindle 1-1/4" + G 1/2"(new style DK10206.3) = **16.000"

w/ 5/8"-11 adapt. = **18.000"**

DIAMANT-KERNBOHRMASCHINE TYP DK 13



Anbohrspike

Start Drilling

Spike

Fig	Req.	Description	Weka Part	DP Part	Fig	Req.	Description	Weka Part	DP Part
1	1	Motorcase	DK10101	2700650	100	1	Gear Box	DK13201	2701849
2	1	Intermediate Flange	DK10102	2700651	102	1	Clamp Ring	DK12202	2700693
3	1	Motor Top Hood	DK10103	2700652	104	1	Bearing Socket(for clutch wheel)	DK10221	2700699
n/a	1	Protection Cover(For Top Level)	DK10104	2700653	106	1	Gear Change Grip	DK10203	2700694
5	1	Switch Handle 230V	DK12105	2701453	108	1	Gear Change Lever	DK20205	2700695
	1	Switch Handle 110V	DK12105.11	2701452	110	1	Drill Spindle cpl. w. Pos 126,182,184	DK13206	2701850
6	1	Insulating Ring	DK10106	2701197	112	1	Pinion Shaft	DK10208	2700697
7	1	Electronic Module 230V	DK10510	2701383	114	1	Clutch Wheel	DK12209	2700698
	1	Electronic Module 110V	DK10511	2701427	116	1	Gear Wheel 1	DK10212	2700700
8	1	Armature w/Fan & Bearings 230V	DK10108	2701334	118	1	Gear Wheel 3	DK10213	2700701
	1	Armature w/Fan & Bearings 110V	DK10108.11	2700655	120	1	Slide Gear Wheel	DK10214	2700702
10	1	Field compl. 230V	DK10109	2701335	122	2	Brake Disk	DK10218	2700703
	1	Field compl. 110V	DK10109.11	2700656	124	1	Pressure Disk	DK10219	2700704
11	1	Seal Bush	DK10113	2700657	126	2	Protective Sleeve	DK13220	2701851
12	1	Fixing Ring	DK10114	2700658	128	1	Protective Disc L	DK13222	2701852
13	1	Electronic Case 110V & 230V	DK10135	2701354	130	1	Protective Disc R	DK13223	2701853
14	2	Fieldscrew Insulating Sleeve	DK10116	2700659	132	1	Protective Bushing	DK13210	2701854
15	1	Brush Holder Disc	DK10117	2700660	136	1	Quick Connect Nipple	DK20225	2700706
16	1	Air Conducting Disk	DK10118	2700662	138	1	Handle	DK12 8900014	2700707
17	1	Mounting Plate 110V	DK12 DK10119	2700661	150	1	Ball Bearing	629 6062900	2700948
	1	Mounting Plate 230V	DK12 DK12120	2701384	152	1	Ball Bearing	60/28 2RS 6060282	2701855
18	1	Terminal Case Packing	DK12 DK10122	2701567	154	2	Needle Bush	HK1010 6310100	2700709
25	2	Carbon Brush 230V	DK10125	2701336	156	1	O-Ring	RDR78x2 5578002	2700710
	2	Carbon Brush 110V	DK10125.11	2700663	158	1	O-Ring	RDR20x3 5520003	2700711
26	1	Cooling Profile 110V & 230V	DK10140	2701385	160	1	O-Ring	RDR11x2.5 5511025	2700712
28	1	Ball Bearing	6060011	2700664	164	2	Rotary Shaft Seal	28x47x7 5028477	2701856
29	1	Ball Bearing	6060002	2700665	166	1	Rotary Shaft Seal	AD22x35x7 5022357	2700714
30	1	Compensation Washer	2628171	2700666	168	1	Ball Valve with Grip	G1/4"i/l 7014001	2700715
32	1	O-Ring RDR26x2.5	4526025	2700667		1	Grip	7014005	2700925
33	1	O-Ring RDR24x1.5	4524015	2700668	170	1	Double Nipple	G3/4"a DK13227	2701857
34	1	V-Seal	5112000	2700669	172	2	Sealing Ring	G1/4" 7014003	2700717
36	1	Thread Roll.Head Screw M4X6	0504006	2701386	173	1	Sealing Ring	G3/4" 7034003	2701858
37	4	Hex. Soc. Head Screw M5x35	0105035	2700670	174	1	Hose Coupling 32mm (Std.)	7000532	2701859
38a	*4	Raised Head Screw M5x25 DK12	0205025	2701203		1	Hose Coupling 38mm (Optional)	7000538	2701860
38b	*4	Raised Head Screw M5x20 DK12	0205020	2700671	176	1	Threaded Coupling	G3/4" 7034500	2701861
39	2	Fill. Head Screw M4x100	0204100	2700672	178	1	Threaded Coupling	G1/4" 7014500	2701862
40	2	Fill. Head Screw M3x5	0203005	2700673	180	1	Disk Spring	4028142	2700718
42	2	Sl. Pan Head Screw M4x6	0304006	2700674	182	1	Pressure Spring	0.5x3.2x16 4305016	2700719
43	2	Pan Head Tapping Screw DK12	0539095	2700675	184	1	Ball	RB-4 2204000	2700720
44	2	Pan Head Tapping Screw DK12	0539019	2700676	186	1	Parallel Key	A5x5x40 3005040	2701087
48	2	Hexagon Nut M4	1004000	2700677	188	1	Parallel Pin	5m6x16 2505016	2700721
49	4	Round Head Grooved Pin 2.3x4	2223004	2700678	190	1	Parallel Pin	4m6x10 2504010	2700722
52	4	Locking Washer SM5	1805000	2700735	192	1	Parallel Pin	3m6x16 2503016	2700723
54	3	Curved Spring Washer A4	1804137	2700680	194	1	Shim Ring	PS10x16x1 1910161	2700724
55	1	Medium Washer 4.3	1804433	2700681	196	1	Retaining Ring	AV14 3514001	2700726
56	2	Medium Washer 3.2	1803433	2700682	198	1	Retaining Ring	SW18 3618000	2700727
58	1	Int. Suppr. Capacitor	DK10130	2700683	200	1	Retaining Ring	28x1.5 3528015	2701863
61	1	Cord 110V/230V AWG 16	8738151	2700684	202	1	Retaining Ring	47x1.75 2547175	2700729
62	1	Cord Sleeve	DK12 8701000	2700685	204	1	Retaining Ring	52x2 2552002	2701864
64	1	Cord Clamping Piece	DK12 8800010	2700686	206	1	Hexagon Nut	BM12x1.5 1012015	2700730
65	1	Motor Switch 110V/230V	DK12 8015212	2701454	208	1	Hex. Soc. Head Screw	M5x80 0105080	2700731
67	1	Motor Protective Switch 110V	8010615	2700688	210	3	Hex. Soc. Head Screw	M5x50 0105050	2700732
68	1	Knurled Nut	DK12 8001001	2700689	212	1	Hex. Soc. Head Screw	M5x16 0105016	2700733
70	1	Tube Water-Level	7510029	2700690	214	1	Wing Screw	M6x40 DK12 0506040	2700734
71	1	Tin Water-Level	7500015	2700691	216	5	Locking Washer	SM5 1805000	2700735
73	1	Fan	DK20105	2700692	218	1	Medium Washer	A 6 DK12 1806125	2700736
						1	Pointing Sticker	DK20620	2700737
						1	Gear Oil 80W-90	4 oz 9012001	2700738
						1	Ball Valve Assembly(water shut-off)	7014000	2700806
					230	1	Adaptor Sleeve	DK13240	2701865
					250	1	AF Element	AE10	4600502
					262	1	O-Ring	RDR32x1.5 5532015	2701866

NOTES: *Fig. 38a. Used on all 110V & 230V drills with electronic overload module.

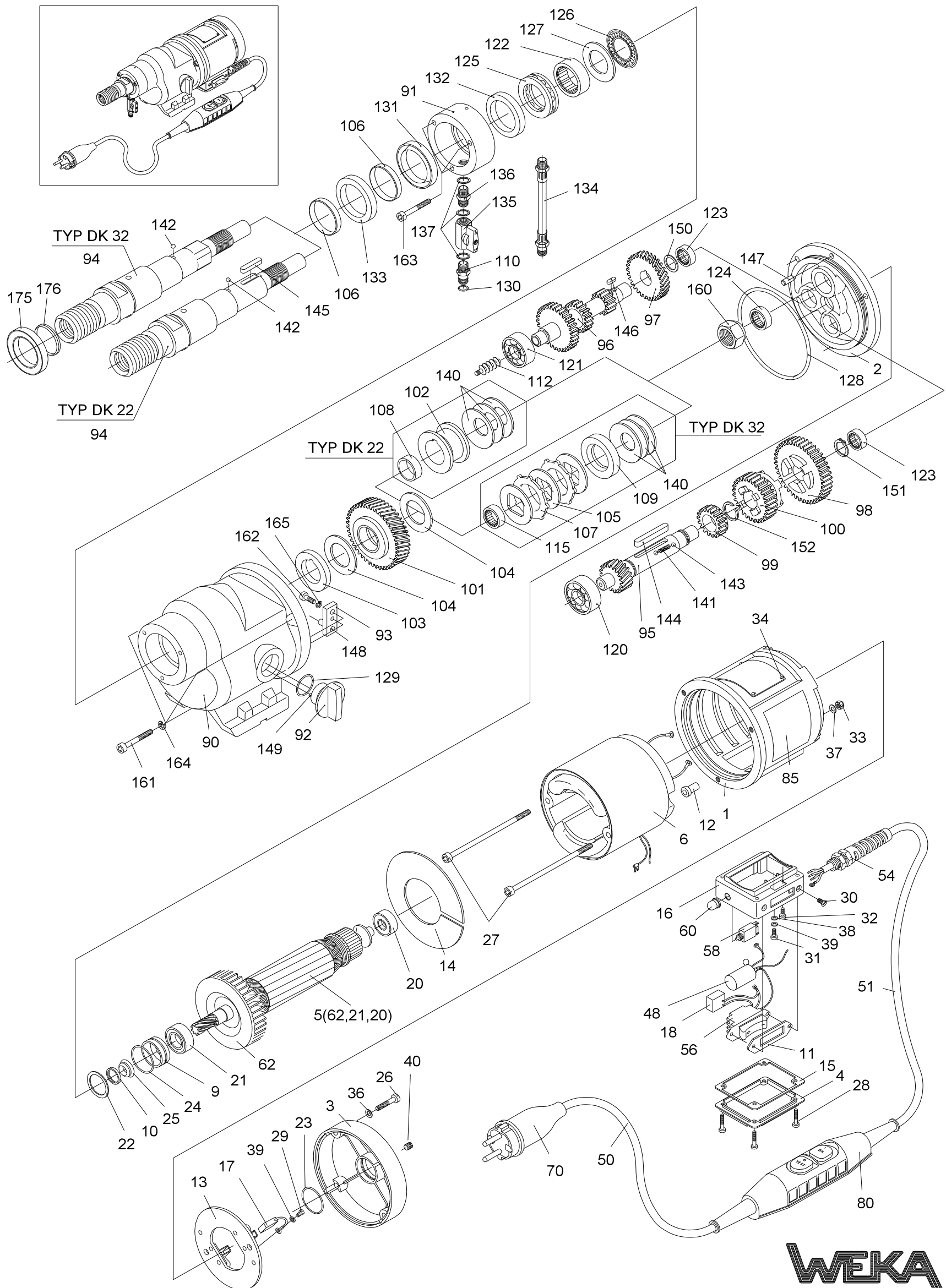
*Fig. 38b. Used on all 110V drills with thermal motor protective switch.

****Slip torque** of clutch(pinion shaft out of drill mounted in bench vise) 12-14NM(8.8-10.3 ft-lbs)

Overall drill length w/5/8"-11 adapt. = **19.500"

w/o adapt. = **17.000"**

DIAMANT - KERNBOHRMASCHINE TYP DK 22 (L,S), DK 32



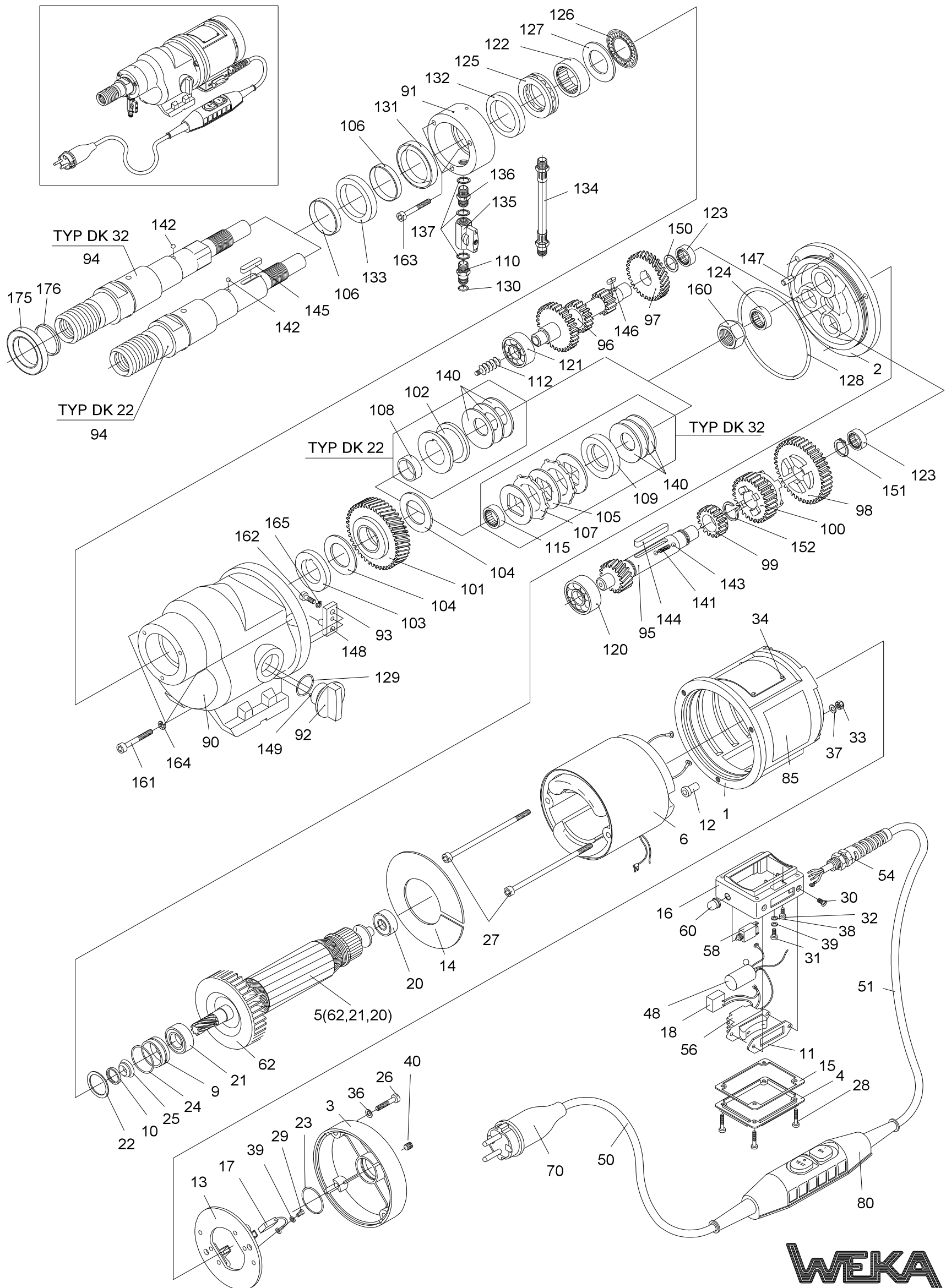
WEKA

SPARE PARTS LIST TYPE DK22 (L/S) - Motor

DK22

Fig	Req.	Description	Weka Part	DP Part	Fig	Req.	Description	Weka Part	DP Part
1	1	Motorcase	DK20101	2700831	90	1	Gear Box	DK20201	2700870
2	1	Intermediate Flange	DK20102	2700832	91	1	Water Supply Bush	DK20202	2700871
3	1	Motor Top Hood	DK20103	2700833	92	1	Gear Change Grip	DK20203	2700872
4	1	Terminal Case Cover	DK20106	2700834	93	1	Gear Change Lever	DK20205	2700695
5	1	Armature w/Fan & Bearings 230V	DK20108	2701523	94	1	Drilling Spindle 1-1/4" UNC	DK20206	2700874
	1	Armature w/Fan & Bearings 110V	DK20108.11	2700765	95	1	Gear Change Shaft	DK20207	2700875
6	1	Field Compl. 230V	DK20109	2701524	1		Gear Change Shaft Type L	DK20207L	2701530
	1	Field Compl. 110V	DK20109.11	2700836	1		Gear Change Shaft Type S	DK20207S	2701082
9	1	Seal Bush	DK20113	2700837	96	1	Pinion Shaft	DK20208	2700876
10	1	Fixing Ring	DK20114	2700838	97	1	Spur Wheel	DK20209	2700877
11	1	Switch Sealing	DK20121	2701584	98	1	Gear Wheel 1	DK20212	2700878
12	2	Field Screw Insulating Sleeve	DK20116	2700839	99	1	Gear Wheel 3	DK20213	2700879
13	1	Brush Holder Disc	DK20117	2700840	100	1	Slide Gear Wheel	DK20214	2700880
14	1	Air Conducting Disk	DK20118	2700841	101	1	Spindle Wheel	DK20215	2700881
15	1	Terminal Case Sealing	DK40122	2701080	1		Spindle Wheel Type L	DK20215L	2701531
16	1	Terminal Case 110V/230V	DK20130	2701396	1		Spindle Wheel Type S	DK20215S	2701078
17	2	Carbon Brush 230V	DK21025	2701532	102	1	Pressure Shell	DK20216	2700882
	2	Carbon Brush 110V	DK20125.11	2700845	103	1	Supporting Disc DK22	DK20217	2700883
18	1	Start Current Limiting Device 230V	DK20500	2700766			Supporting Disc Type L	DK20217	2700883
20	1	Ball Bearing 6201 2Z	6062012	2700846			Supporting Disc Type S	DK40217	2701083
21	1	Ball Bearing 6002 Z	6060021	2700773	104	2	Brake Disc	DK20218	2700884
22	1	Compensation Washer	2632201	2700848	106	2	Shaft Wearing Sleeve	DK20210	2701064
23	1	O-Ring RDR32X3	4532003	2700849	108	1	Bearing Socket	DK20220	2701079
24	1	O-Ring RDR28x1.5	4528015	2700850	110	1	Quick Connect Nipple	DK20225	2700706
25	1	V-Seal	5112000	2700669	120	1	Ball Bearing 6302	6063020	2700791
26	4	Hex. Soc. Head Screw M6x35	0106035	2700852	121	1	Ball Bearing 6201	6062010	2700792
27	2	Hex. Soc. Head Screw M5x120	0105120	2700853	122	1	Needle Bearing	6330200	2700793
28	4	Fill. Head Screw M4x40	0204040	2700854	123	2	Needle Bush	6314120	2700794
29	2	Fill. Head Screw M4x6	0304006	2700674	124	1	Needle Bush	6320160	2700795
30	2	Slot. Count. Head Screw M4x6	0414006	2700856	125	1	Thrust Ball Bearing	6551106	2700796
31	1	Slot. Pan Head Screw M4x6	0304006	2700674	126	1	Thrust Needle Bearing	6530470	2700797
32	1	Pan Head Tapping Screw 3.9x9.5	0539095	2700675	127	1	Thrust Bearing Washer	6530471	2700798
33	2	Hexagon Nut M5	1005000	2700858	128	1	O-Ring RDR102x3	5510203	2700799
34	4	Round Head Grooved Pin 2.3x4	2223004	2700678	129	1	O-Ring RDR20x3	5520003	2700711
36	4	Locking Washer SM6	1806000	2700826	130	1	O-Ring RDR11x2.5	5511025	2700712
37	2	Curved Spring Washer A5	1805137	2700861	131	1	Rotary Shaft Seal 40x52x7	5040527	2700802
38	1	Curved Spring Washer A4	1804137	2700680	132	1	Rotary Shaft Seal 38x50x7	5038507	2700803
39	3	Medium Washer 4.3	1804433	2700681	133	1	Rotary Shaft Seal 40x52x7S	5040521	2700804
40	1	Slot. Set Screw M6x5	0506005	2700864	135	1	Ball Valve	7014001	2700715
48	1	Int. Suppr. Capacitor	DK10130	2700683	1		Grip for Ball Valve	7014005	2700925
50	1	Cord 230V AWG16	8738152	2701541	136	1	Double Nipple	7014002	2700716
		Cord 110V AWG14	8738254	2700866	137	3	Sealing Ring	7014003	2700717
54	1	Cord Gland 230V	8800011	2700867	140	3	Disk Spring	4045224	2700809
		Cord Gland 110V	8800111	2701054	141	1	Pressure Spring	4305235	2700810
56	1	Motor Switch 230V	8023000	2701543	142	1	Ball 5	2205000	2700811
	1	Motor Switch 110V	8023005	2700886	143	2	Ball 4	2204000	2700720
58	1	Motor Protective Switch w/Hood 230V	8010612	2701537	144	1	Parallel Key A6x6x45	3006045	2700813
	1	Motor Protective Switch w/Hood 110V	8057025	2700769	145	1	Parallel Key A6x6x30	3006030	2700814
62	1	Protective Hood 230V	8001002	2700868	146	1	Parallel Key A4x4x10	3004010	2700815
		Protective Hood 110V	8001005	2701309	147	1	Parallel Pin 6m6x10	2506010	2700816
60	1	Fan	DK20105	2700692	148	1	Parallel Pin 5m6x15	2506015	2700817
					149	1	Parallel Pin 3m6x16	2503016	2700723
					150	1	Shim Ring PS14x20x1	1914201	2700819
					151	1	Retaining Ring 16x1	3516001	2700820
					152	1	Retaining Ring SW20	3620000	2700821
					160	1	Hexagon Nut M22x1.5	1022015	2700822
					161	3	Hex. Soc. Head Screw M6x50	0106050	2700823
					162	1	Hex. Soc. Head Screw M5x12	0105012	2700733
					163	3	Hex. Soc. Head Screw M5x45	0105045	2700825
					164	3	Locking Washer SM6	1806000	2700826
					165	1	Locking Washer SM5	1805000	2700735
					170	1	Pointing Sticker	DK20620	2700737
					1		Gear Oil 80-90W 400ml(8.20 oz)	9030001	2700829
					1		B-Valve Assembly	7014001	2700806

DIAMANT - KERNBOHRMASCHINE TYP DK 22 (L,S), DK 32



WEKA

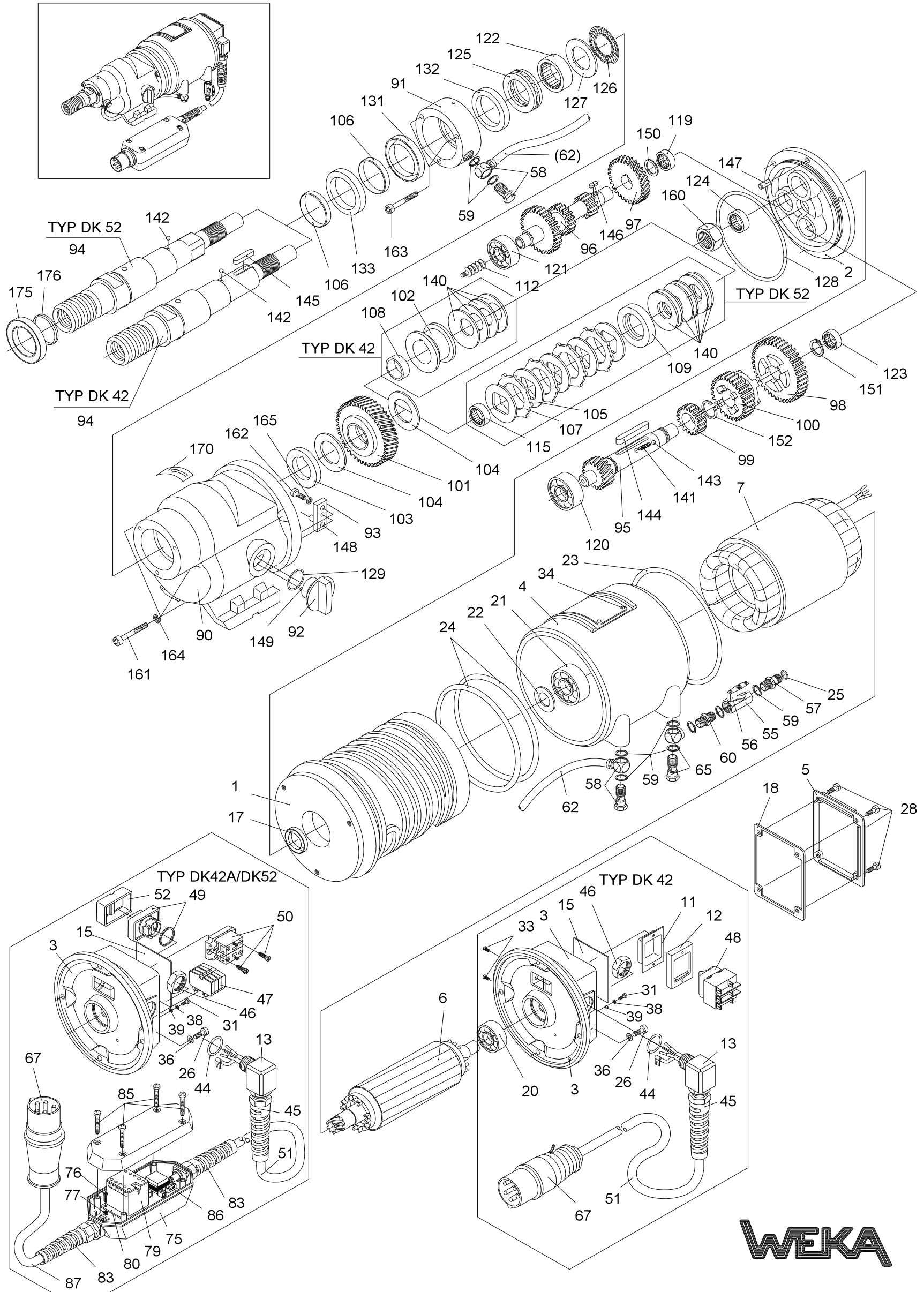
SPARE PARTS LIST TYPE DK32 - Motor

DK32

Revised 1/4/02

Fig	Req.	Description	Weka Part	DP Part	Fig	Req.	Description	Weka Part	DP Part
1	1	Motorcase	DK20101	2700831	90	1	Gear Box	DK30201	2701924
2	1	Intermediate Flange	DK30102	2702170	91	1	Water Supply Bush	DK20202	2700871
3	1	Motor Top Hood	DK20103	2700833	92	1	Gear Change Grip	DK20203	2700872
4	1	Terminal Case Cover	DK20106	2700834	93	1	Gear Change Lever	DK30205	2701925
5	1	Armature w/Fan & Bearings 230V	DK30108	2701920	94	1	Drilling Spindle 1-1/4" UNC	DK30206	2701926
	1	Armature w/Fan & Bearings 110V	DK30108.11	2701921	95	1	Gear Change Shaft	DK30207	2701927
6	1	Field Compl. 230V	DK30109	2701922	96	1	Pinion Shaft	DK30208	2701928
	1	Field Compl. 110V	DK30109.11	2701923	97	1	Spur Wheel	DK30209	2701929
9	1	Seal Bush	DK20113	2700837	98	1	Gear Wheel 1	DK30212	2701930
10	1	Fixing Ring	DK20114	2700838	99	1	Gear Wheel 3	DK30213	2701931
11	1	Switch Sealing	DK20121	2701584	100	1	Slide Gear Wheel	DK30214	2701932
12	2	Field Screw Insulating Sleeve	DK20116	2700839	101	1	Spindle Wheel	DK30215	2701933
13	1	Brush Holder Disc	DK20117	2700840	103	1	Supporting Disc DK32	DK40217	2701083
14	1	Air Conducting Disk	DK20118	2700841	104	2	Brake Disc A	DK30218	2701934
15	1	Terminal Case Sealing	DK40122	2701080	105	3	Pressure Disc	DK30219	2701935
16	1	Terminal Case 110V/230V	DK20130	2701396	106	2	Shaft Wearing Sleeve	DK20210	2701064
17	2	Carbon Brush 230V	DK21025	2701532	107	2	Brake Disc B	DK30221	2701941
	2	Carbon Brush 110V	DK20125.11	2700845	109	1	Pressure Ring	DK30216	2701936
18	1	Start Current Limiting Device 230V	DK20500	2700766	110	1	Quick Connect Nipple	DK20225	2700706
20	1	Ball Bearing 6201 2Z	6062012	2700846	112	1	Feed Worm	DK30230	2701937
21	1	Ball Bearing 6002 Z	6060021	2700773	115	1	Needle Cage	6326130	2701938
22	1	Compensation Washer	2632201	2700848	120	1	Ball Bearing 6302	6063020	2700791
23	1	O-Ring RDR32X3	4532003	2700849	121	1	Ball Bearing 6201	6062010	2700792
24	1	O-Ring RDR28x1.5	4528015	2700850	122	1	Needle Bearing	6330200	2700793
25	1	V-Seal	5112000	2700669	123	2	Needle Bush	6314120	2700794
26	4	Hex. Soc. Head Screw M6x35	0106035	2700852	124	1	Needle Bush	6320160	2700795
27	2	Hex. Soc. Head Screw M5x120	0105120	2700853	125	1	Thrust Ball Bearing	6551106	2700796
28	4	Fill. Head Screw M4x40	0204040	2700854	126	1	Thrust Needle Bearing	6530470	2700797
29	2	Fill. Head Screw M4x6	0204006	2700855	127	1	Thrust Bearing Washer	6530471	2700798
30	2	Slot. Count. Head Screw M4x6	0414006	2700856	128	1	O-Ring RDR102x3	5510203	2700799
31	1	Slot. Pan Head Screw M4x6	0304006	2700674	129	1	O-Ring RDR20x3	5520003	2700711
32	1	Pan Head Tapping Screw 3.9x9.5	0539095	2700675	130	1	O-Ring RDR11x2.5	5511025	2700712
33	2	Hexagon Nut M5	1005000	2700858	131	1	Rotary Shaft Seal 40x52x7	5040527	2700802
34	4	Round Head Grooved Pin 2.3x4	2223004	2700678	132	1	Rotary Shaft Seal 38x50x7	5038507	2700803
36	4	Locking Washer SM6	1806000	2700826	133	1	Rotary Shaft Seal 40x52x7S	5040521	2700804
37	2	Curved Spring Washer A5	1805137	2700861	134	1	Hose Piece	DK30235	2701939
38	1	Curved Spring Washer A4	1804137	2700680	135	1	Ball Valve	7014001	2700715
39	3	Medium Washer 4.3	1804433	2700681		1	Grip for Ball Valve	7014005	2700925
40	1	Slot. Set Screw M6x5	0506005	2700864	136	1	Double Nipple	7014002	2700716
48	1	Int. Suppr. Capacitor	DK10130	2700683	137	3	Sealing Ring	7014003	2700717
50	1	Cord 230V AWG16	8738152	2701541	140	3	Disk Spring	4045224	2700809
		Cord 110V AWG 10			141	1	Pressure Spring	4305235	2700810
54	1	Cord Gland 230V	8800011	2700867	142	1	Ball 5	2205000	2700811
		Cord Gland 110V	8800111	2701054	143	2	Ball 4	2204000	2700720
56	1	Motor Switch 230V	8023000	2701543	144	1	Parallel Key A6x6x45	3006045	2700813
	1	Motor Switch 110V	8023005	2700886	146	1	Parallel Key A4x4x10	3004010	2700815
58	1	Motor Protective Switch w/Hood 230V	8057016	2701918	147	1	Parallel Pin 6m6x10	2506010	2700816
	1	Motor Protective Switch w/Hood 110V	8057030	2701919	148	1	Parallel Pin 5m6x15	2506015	2700817
60	1	Protective Hood 230V	8001005	2701309	149	1	Parallel Pin 3m6x16	2503016	2700723
		Protective Hood 110V	8001005	2701309	150	1	Shim Ring PS14x20x1	1914201	2700819
62	1	Fan	DK20105	2700692	151	1	Retaining Ring 16x1	3516001	2700820
					152	1	Retaining Ring SW20	3620000	2700821
					160	1	Hexagon Nut M22x1.5	1022015	2700822
					161	3	Hex. Soc. Head Screw M6x50	0106050	2700823
					162	1	Hex. Soc. Head Screw M5x12	0105012	2700733
					163	3	Hex. Soc. Head Screw M5x45	0105045	2700825
					164	3	Locking Washer SM6	1806000	2700826
					165	1	Locking Washer SM5	1805000	2700735
					1		Gear Oil 80-90W 400ml(8.20 oz)	9030001	2700829
					1		B-Valve Assembly	7014001	2700806
							(Includes Fig.110,135,136,137)		
					175	1	Super Bit Spacer 1-1/4"	n/a	4600502

DIAMANT-KERNBOHRMASCHINE TYP DK 42 (A),(L,S), DK 52



WEKA

SPARE PARTS LIST TYPE DK42 (L/S) DK42A (L/S) - Motor

1/4/02

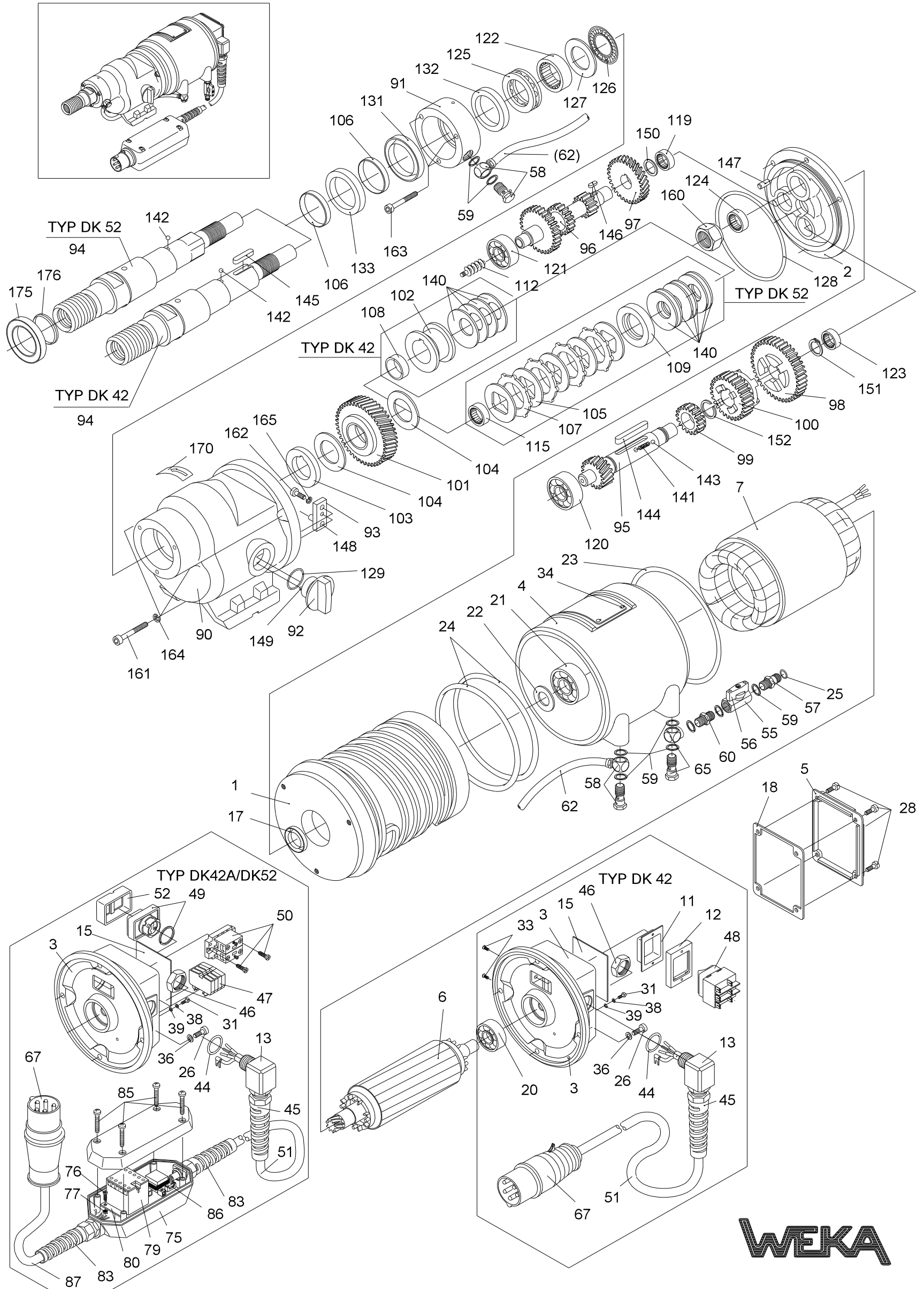
Fig	Req.	Description	Weka Part	DP Part	Fig	Req.	Description	Weka Part	DP Part
1	1	Motorcase	DK40101	2701033	90	1	Gear Box	DK20201	2700870
2	1	Intermediate Flange	DK40102	2701034	91	1	Water Supply Bush	DK20202	2700871
3	1	Motor Top Hood	DK42 DK40103	2701035	92	1	Gear Change Grip	DK20203	2700872
3	1	Motor Top Hood	DK42A DK40103A	2701377	93	1	Gear Change Lever	DK20205	2700695
4	1	Case Sleeve	DK40104	2701036	94	1	Drilling Spindle	DK20206	2700874
5	1	Terminal Case Cover	DK20106	2700834	95	1	Gear Change Shaft	DK20207	2700875
6	1	Rotor with Bearings	DK40108	2701037	1	1	Gear Change Shaft Type L	DK20207L	2701530
7	1	Stator 460V	DK42 DK40109	2701038	1	1	Gear Change Shaft Type S	DK20207S	2701082
1	1	Stator 460V	DK42A DK40109A/46	2701375	121	1	Pinion Shaft	DK20208	2700876
1	1	Stator 230V	DK42 DK40109/23	2701039	97	1	Spur Wheel	DK42209	2701055
1	1	Stator 230V	DK42A DK40109A/23	2701376	98	1	Gear Wheel 1	DK20212	2700878
11	1	Switch Guard Cap	DK42 DK40130	2701081	99	1	Gear Wheel 3	DK20213	2700879
12	1	Switch Clamping Frame	DK42 DK40135	2701070	100	1	Slide Gear Wheel	DK20214	2700880
13	1	Cord Angle w/O-Ring	DK40140	2701071	101	1	Spindle Wheel	DK40215	2701056
15	1	Terminal Case Insulation	DK40120	2701040	1	1	Spindle Wheel Type L	DK40215L	2701576
17	1	Rotary Shaft Seal 20x32x7	5020327	2701041	1	1	Spindle Wheel Type S	DK40215S	2701078
18	1	Terminal Case Sealing	DK40122	2701080	102	1	Pressure Shell	DK20216	2700882
20	1	Ball Bearing 6202 ZZ	6062022	2701043	103	1	Supporting Disc (All Models)	DK40217	2701083
21	1	Ball Bearing 6004 ZZ	6060042	2701044	104	2	Brake Disc	DK20218	2700884
22	1	Compensation Washer	2641301	2701045	106	2	Shaft Wearing Sleeve	DK20210	2701064
23	1	O-Ring RDR135x2	4513502	2701046	108	1	Bearing Socket	DK40220	2701079
24	2	O-Ring RDR127x4	4512704	2701047	119	1	Needle Bearing	6349000	2701370
25	1	O-Ring RDR11x2.5	4511025	2700712	120	1	Ball Bearing 6302	6063020	2700791
26	4	Hex. Soc. Head Screw M6x20	0106020	2701049	96	1	Ball Bearing 6201	6062010	2700792
28	4	Fill. Head Screw (DK42A)M4x40	0204040	2700854	122	1	Needle Bearing	6330200	2700793
28	4	Fill. Head Screw (DK42) M4x12	0204012	2701388	123	1	Needle Bush	6314120	2700794
31	1	Slot. Pan Head Screw M4x6	0304006	2700674	124	1	Needle Bush	6320160	2700795
33	2	Counters. Head Screw 3.9x16	DK42 0539016	2701072	125	1	Thrust Ball Bearing	6551106	2700796
34	4	Round Head Groov. Pin 2.3x4	2223004	2700678	126	1	Thrust Needle Bearing	6530470	2700797
36	4	Sealing Washer 6	1806001	2700826	127	1	Thrust Bearing Washer	6530471	2700798
38	1	Curved Spring Washer A4	1804137	2700680	128	1	O-Ring RDR102x3	5510203	2700799
39	1	Medium Washer 4.3	1804433	2700681	129	1	O-Ring RDR20x3	5520003	2700711
44	1	O-Ring 18x2	4518002	2701568	131	1	Rotary Shaft Seal 40x52x7	5040527	2700802
45	1	Cord Gland 230V/460V	DK42 8804135	2701451	132	1	Rotary Shaft Seal 38x50x7	5038507	2700803
1	1	Cord Gland 230V/460V	DK42A 8802135	2701073	133	1	Rotary Shaft Seal 40x52x7S	5040521	2700804
46	1	Hexagon Nut Pg 13.5	8806135	2701074	140	4	Disk Spring	4045224	2700809
47	1	Terminal DK42A	8002503	2701378	141	1	Pressure Spring	4305235	2700810
48	1	Motor Switch 460V	DK42 8039007	2701204	142	1	Parallel Key A6x6x30	3006030	2700814
1	1	Motor Switch 230V	DK42 8039016	2701076	143	2	Ball 4	2204000	2700720
49	1	Double Press Key	DK42A 8039204	2701379	144	1	Parallel Key A6x6x45	3006045	2700813
50	1	Switch Element	DK42A 8039206	2701428	145	1	Ball 5	2205000	2700811
51	1	Cord AWG 16/4	DK42 8740154	2701042	146	1	Parallel Key A4x4x10	3004010	2700815
1	1	Cord AWG 16/7 230V/460	DK42A 8740157	2701381	147	1	Parallel Pin 6m6x10	2506010	2700816
52	1	Key Diaphragm	DK42A 8039214	2701400	148	1	Parallel Pin 5m6x16	2505015	2701065
55	1	Ball Valve	7014001	2700715	149	1	Parallel Pin 3m6x16	2503016	2700723
56	1	Grip for Ball Valve	7014005	2700925	150	1	Shim Ring PS14x20x1	1914201	2700819
57	1	Quick Connect Nipple	DK20225	2700706	151	1	Retaining Ring 16x1	3516001	2700820
58	2	Angle Screwing	7015005	2701077	152	1	Retaining Ring SW20	3620000	2700821
59	7	Sealing Ring G 1/4"	7014003	2700717	160	1	Hexagon Nut M22x1.5	1022015	2700822
60	1	Double Nipple G 1/4"	7014002	2700716	161	3	Hex. Soc. Head Screw M6x35	0106035	2700852
62	1	Flexible Hose	7068325	2701060	162	1	Hex. Soc. Head Screw M5x16	0105016	2700733
65	1	Angle Screwing G 1/4"	7015010	2701094	163	3	Hex. Soc. Head Screw M5x45	0105045	2700825
					164	3	Locking Washer SM6	1806000	2700826
					165	1	Locking Washer SM5	1805000	2700735
					1	1	Gear Oil 80-90W 450ml(13.80 oz)	9040001	2701067
					1	1	Ball Valve Assembly	7014000	2700806

Electrical Parts for Switch Case DK42A/B

75	1	Plugging Case Compl. w/o contactor230/460V	8016236	2701401					
79	1	Contactor(DK42B) 460V	8039400	2701578	83	1	Cord Gland 230/460V 14mm	8802135	2701073
	1	Contactor(DK42B) 230V	8039230	2701403	1	1	Cord Gland 230/460V 12mm	8804135	2701451
	1	Contactor(DK42A) 230V/460V	8039230	2701403	n/a	1	Cord Piece 230V/460V 7G1.5	8741157	
80	1	Print Plate w/o Contactor 460V	DK40520/46	2701579	85	2	Hexagon Nut 230/460V Pg13.5	8806135	2701074
	1	Print Plate w/o Contactor 230V	DK40520.23	2701580	87	4	Tapping Screw 4.8x45	0548045	2701405
81	1	Base Plate(DK42B) 230/460V	DK40145	2701404	90	1	Fuse 20mA	8052020	2701581
82	1	Front Disk 60Hz only 230/460V	8016231	2701429	1	1	Overload Relay(DK42B) 400/460V/10.5A	8039105	2701582
					1	1	Overload Relay(DK42B) 230V/14A	8039014	2701456
					1	1	Up-Grade switch kit 230V (for DK42)	DK40623B	2701355
					1	1	Up-Grade switch kit 460V (for DK42)	DK40646B	2701583

Type	Rpm(low/med/high)
DK42	200/420/630
DK42L	130/280/430
DK42S	290/610/910

DIAMANT-KERNBOHRMASCHINE TYP DK 42 (A),(L,S), DK 52



WEKA

Fig	Req.	Description	Weka Part	DP Part	Fig	Req.	Description	Weka Part	DP Part
1	1	Motorcase	DK50101	2702046	90	1	Gear Box	DK30201	2701924
2	1	Intermediate Flange	DK50102	2702041	91	1	Water Supply Bush	DK20202	2700871
3	1	Motor Top Hood DK52/DK42A	DK40103A	2701377	92	1	Gear Change Grip	DK20203	2700872
4	1	Case Sleeve	DK50104	2702047	93	1	Gear Change Lever	DK30205	2701925
5	1	Terminal Case Cover	DK20106	2700834	94	1	Drilling Spindle	DK30206	2701926
6	1	Rotor with Bearings	DK50108	2702048	95	1	Gear Change Shaft	DK50207	2702052
7	1	Stator 460V DK52	DK50109/46	2702049			Gear Change Shaft S	DK50207S	2701082
	1	Stator 230V DK52	DK50109/23	2702050	96	1	Pinion Shaft	DK30208	2701928
11	1	Switch Guard Cap DK42	DK40130	2701081	97	1	Spur Wheel	DK52209	2702053
12	1	Switch Clamping Frame DK42	DK40135	2701070	98	1	Gear Wheel 1	DK30212	2701930
13	1	Cord Angle w/O-Ring	DK40140	2701071	99	1	Gear Wheel 3	DK30213	2701931
15	1	Terminal Case Insulation	DK40120	2701040	100	1	Slide Gear Wheel	DK30214	2701932
17	1	Rotary Shaft Seal 20x32x7	5020327	2701041	101	1	Spindle Wheel	DK50215	2702145
18	1	Terminal Case Sealing	DK40122	2701080			Spindle Wheel S	DK50215S	2702146
20	1	Ball Bearing 6202Z	6062022	2701043	102	1	Pressure Shell	DK20216	2700882
21	1	Ball Bearing 6004Z	6060042	2701044	103	1	Supporting Disc (All Models)	DK40217	2701083
22	1	Compensation Washer	2641301	2701045	104	2	Brake Disk A	DK30218	2701934
23	1	O-Ring RDR135x2	4513502	2701046	105	5	Pressure Disk	DK30219	2701935
24	2	O-Ring RDR127x4	4512704	2701047	106	2	Protective Sleeve	DK20210	2701064
25	1	O-Ring RDR11x2.5	4511025	2700712	107	4	Brake Disk B	DK30221	2701941
26	4	Hex. Soc. Head Scre M6x20	0106020	2701049	109	1	Pressure Ring	DK50216	2702054
28	4	Fill. Head Screw (DK52)M4x12	0204012	2701388	112	1	Feed Worm	DK30230	2701937
31	1	Slot. Pan Head Screw M4x6	0304006	2700674	115	1	Needle Cage	6326130	2701938
33	2	Counters. Head Screw 3.9x16 DK42	0539016	2701072	119	1	Needle Bearing	6349000	2701370
34	4	Round Head Groov. Pin 2.3x4	2223004	2700678	120	1	Ball Bearing 6302	6063020	2700791
36	4	Sealing Washer 6	1806001	2700826	121	1	Ball Bearing 6201	6062010	2700792
38	1	Curved Spring Washer A4	1804137	2700680	122	1	Needle Bearing	6330200	2700793
39	1	Medium Washer 4.3	1804433	2700681	123	1	Needle Bush	6314120	2700794
44	1	O-Ring 18x2	4518002	2701568	124	1	Needle Bush	6320160	2700795
45	1	Cord Gland 230V DK42A/DK52	8802135	2701073	125	1	Thrust Ball Bearing	6551106	2700796
	1	Cord Gland 460V DK42A/DK52	8804135	2701451	126	1	Thrust Needle Cage	6530470	2700797
46	1	Hexagon Nut Pg 13.5	8806135	2701074	127	1	Thrust Bearing Washer	6530471	2700798
47	1	Terminal DK42A/DK52	8002503	2701378	128	1	O-Ring RDR102x3	5510203	2700799
49	1	Double Press Key DK42A/DK52	8039204	2701379	129	1	O-Ring RDR20x3	5520003	2700711
50	1	Switch Element DK42A/DK52	8039206	2701428	131	1	Rotary Shaft Seal 40x52x7	5040527	2700802
51	1	Cord AWG 16/7 230V DK42A/DK52	8740157	2701381	132	1	Rotary Shaft Seal 38x50x7	5038507	2700803
	1	Cord AWG 18/7 460V DK42A/DK52	8740107	2702051	133	1	Rotary Shaft Seal 40x52x7S	5040521	2700804
52	1	Key Diaphragm DK42A/DK52	8039214	2701400	140	6	Disk Spring	4045224	2700809
55	1	Ball Valve	7014001	2700715	141	1	Pressure Spring	4305235	2700810
56	1	Grip for Ball Valve	7014005	2700925	142	1	Ball 5	2205000	2700811
57	1	Quick Connect Nipple	DK20225	2700706	143	2	Ball 4	2204000	2700720
58	2	Angle Screwing	7015005	2701077	144	1	Parallel Key A6x6x45	3006045	2700813
59	7	Sealing Ring G 1/4"	7014003	2700717	146	1	Parallel Key A4x4x10	3004010	2700815
60	1	Double Nipple G 1/4"	7014002	2700716	147	1	Parallel Pin 6m6x10	2506010	2700816
62	1	Flexible Hose	7068325	2701060	148	1	Parallel Pin 5m6x16	2505015	2701065
65	1	Angle Screwing G 1/4"	7015010	2701094	149	1	Parallel Pin 3m6x16	2503016	2700723
					150	1	Shim Ring PS14x20x1	1914201	2700819
					151	1	Retaining Ring 16x1	3516001	2700820
					152	1	Retaining Ring SW20	3620000	2700821
					160	1	Hexagon Nut M22x1.5	1022015	2700822
					161	3	Hex. Soc. Head Screw M6x35	0106035	2700852
					162	1	Hex. Soc. Head Screw M5x12	0105012	2700733
					163	3	Hex. Soc. Head Screw M5x45	0105045	2700825
					164	3	Locking Washer SM6	1806000	2700826
					165	1	Locking Washer SM5	1805000	2700735
					1		Gear Oil 80-90W 450ml(13.80oz)	9040001	2701067
					1		Ball Valve Assembly	7014000	2700806

Electrical Parts for Switch Case DK52

75	1	Plugging Case Compl. w/o contactor230/460V (Old case=White : New case= Black)	8020236	2701401
79	1	Contactork DK52 230V	8052230	2702055
	1	Contactork DK52 460V	8039230	2701403
80	1	Print Plate DK52 230V	DK50520	2702056
	1	Print Plate DK52 460V	DK40520/46	2701579
81	1	Rubber Base Plate(DK52) 230V	DK50145	2702057
82	1	Cord Gland 230V/460V 12mm	8804135	2701451
83	1	Cord Gland 230V 14mm	8802135	2701073
	1	Cord Gland 460V 12mm	8804135	2701451
n/a	1	Cord Piece 230V/460V 7G1.5	8741157	
85	1	Not Required on DK52	n/a	n/a
87	4	Tapping Screw 4.8x45	0548045	2701405
88	1	Fuse 20mA	8052020	2701581

Note: Torque Nut For clutch to 60-65 NM