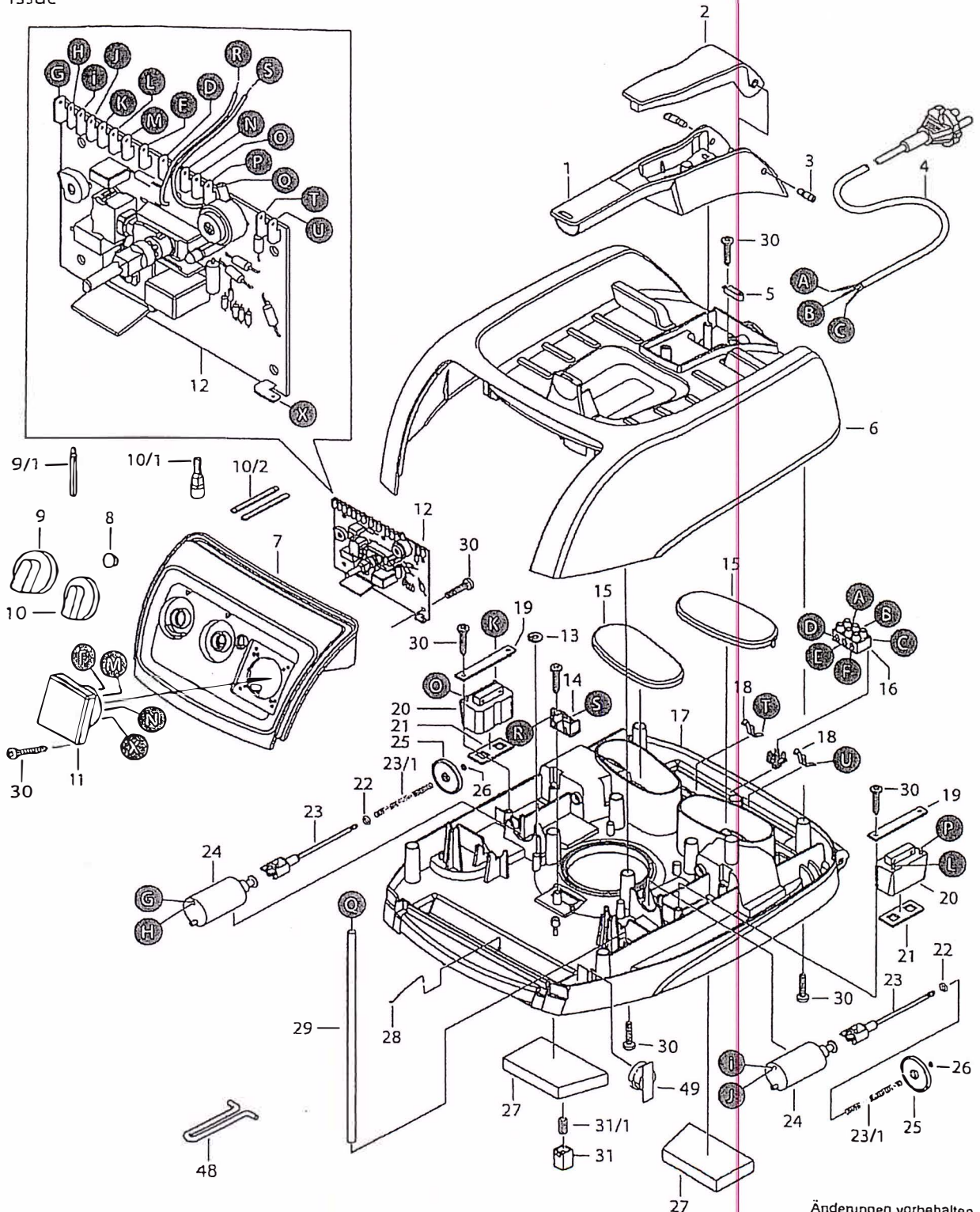


CS UNITEC

Typ IS P 1200 - 1600W

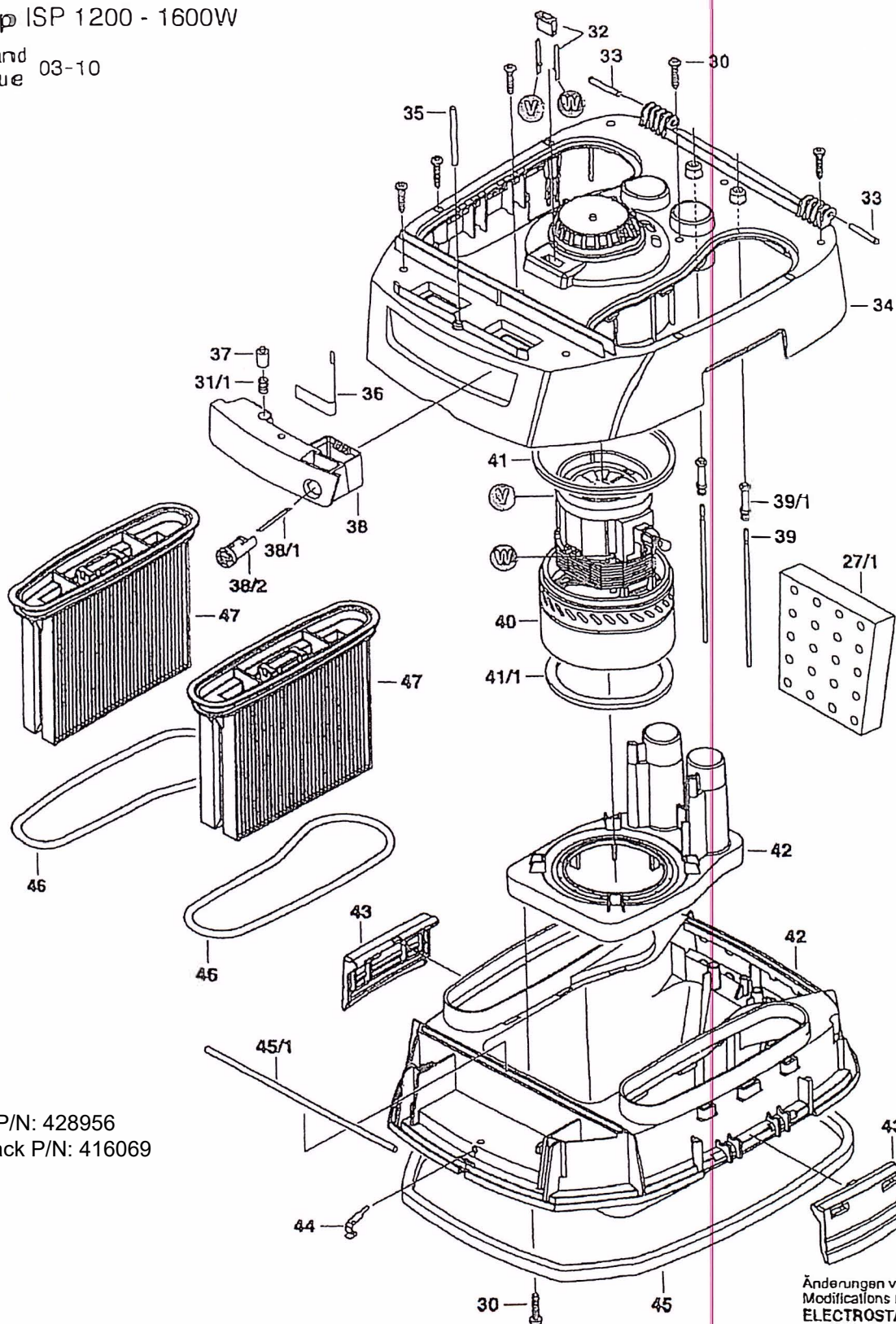
Stand
Issue 03-10



Änderungen vorbehalten
Modifications reserved
ELECTROSTAR

Typ ISP 1200 - 1600W

Stand
Issue 03-10

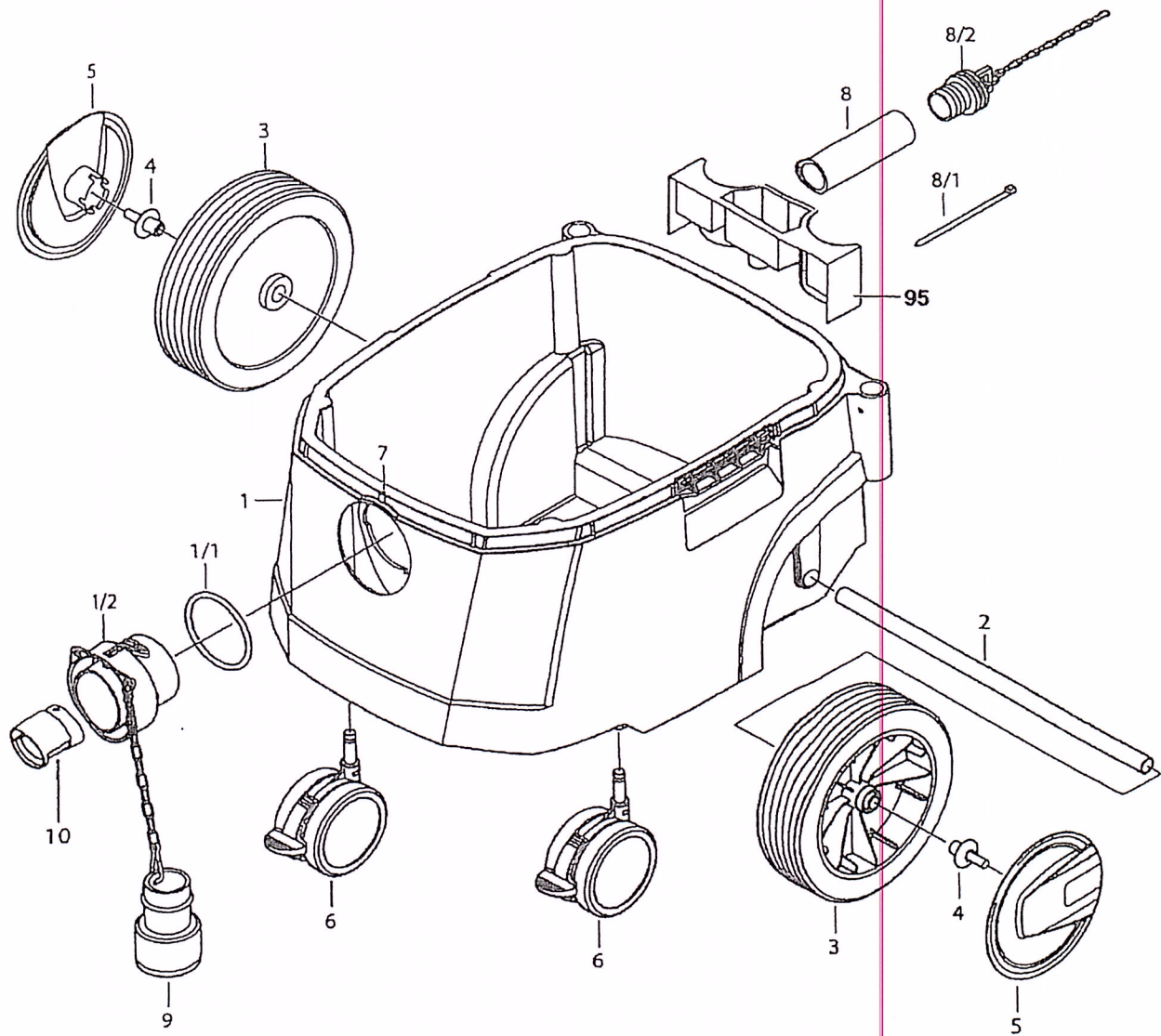


47
Hepa Filter Pack P/N: 428956
Standard Filter Pack P/N: 416069

Änderungen vorbehalten
Modifications reserved
ELECTROSTAR

Typ ISP 1200 - 1600W

Stand
Issue 03-10



Änderungen vorbehalten
Modifications reserved
ELECTROSTAR

Ersatzteile/Spare Parts
 Preisliste/Price List

CS Unitec

Stand/Issue: 09-12

Top View and Motor Housing CS 1445 Parts Page 1 & 2

CS ISP ARD 1435 - 014838			
Pos. Nr. Item-No.	Benennung Name	Bestell-Nr. Part-No.	PG PG
1+2+3	handle+handlecover+2x axle	402918	13
2	handle cover	510484	5
3	axle	511177	5
4	connecting cable	570662	27
5	strain relief	531137	1
6	cover	510484	17
7	Front Panel	404745	16
8	Plug Lense	538945	1
9	Switch knob DZS	402871	6
9/1	Switching axis long	512501	1
10	Toggle Switch	402864	5
10/1	Switching axis short	512471	1
10/2	switching spring	535531	4
11	Machine Outlet	548975	19
12	Circuit board	613123	29
13	disc	536736	1
14	motor socket	417707	6
15	cover	510446	1
16	clamp	506104	6
17	support plate	402826	24
18	contact bow	535418	6
19	Retainer Plate	528595	1
20	Vibrator	690018	19
21	Seal	565514	3
22	O-Ring	737256	7
23	Coupling	511184	3
23/1	Compression Spring	511221	1
24	pull magnet	613611	18
25	valve disc	511252	1
26	circlip	716619	1
27	Motor protection filter	510880	2
27/1	soundproofing	510873	6
28	contact wire	535500	1
29	Vacuum hose	549262	1
30	Spax screw	706429	1
31	Pressure piece	535470	1

31/1	compression spring	565569	1
32	motor connector	417714	10
33	bearing bolt	560359	3
34	motor housing	510033	19
35	tubular rivet	723723	1
36	leaf spring	535395	10
37	lock button	543048	3
38	bars	430904	7
38/1	latch spring	543109	8
38/2	locking Stuck	510293	2
39	Electrode	557113	6
39/1	clamping sleeve	557120	1
40	motor fan	431697	43
xx	carbon brushes	xxxxxx	xx
41	Seal above	518220	4
41/1	Seal	578651	5
42	lower part	402765	21
43	shutter	512754	5
44	Front Clip	510903	1
45	Square seal	549248	8
45/1	foam rubber	511009	5
46	Sealing ring FaFi	535548	5
47	Pleated filter polyester		Liste
xx	Nonwoven filter bag	578828	Liste
xx	emptying bags	582238	Liste
48	support	513485	2
48/1	+ 2 x Screw	706429	1
48/2	+ 2 x disc	711010	1
00	nameplate	588209	1

Container Parts

Container 35 L			
1	Container	510675	28
1/1	Seal	511801	1
1/2	Suction nozzle drilled	511412	7
2	axis	511399	5
3	wheel	559773	14
4	Plug	526829	2
5	cover	580852	3
6	castor	511405	8
7	bleeder pin	512549	1
9	container closure	406930	14
10	rotary vane	509037	6
95	Accessory box red	512822	8
	Container Assembly Complete	011851	
	Hepa Filter Cartridge - 2 pack	428956	
	Standard Filter Cartridge - 2 Pack	416069	