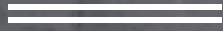
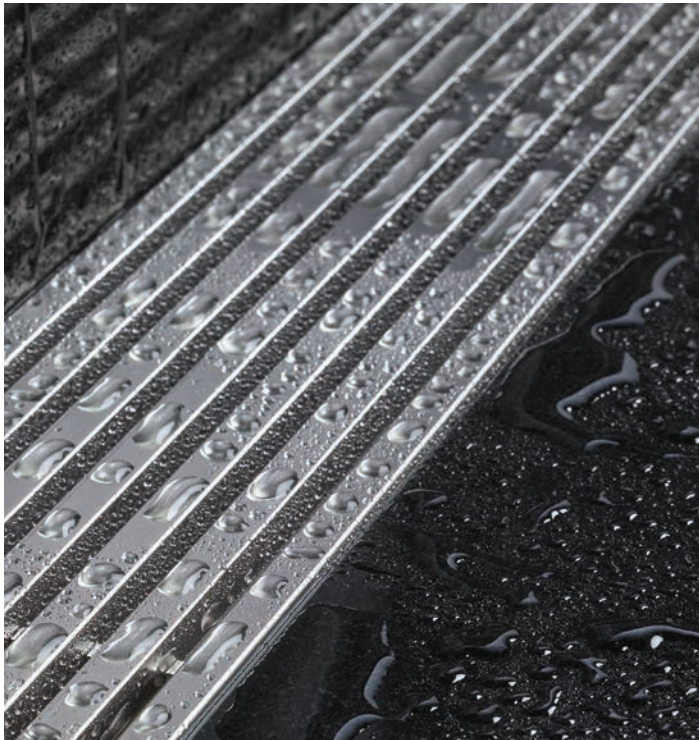
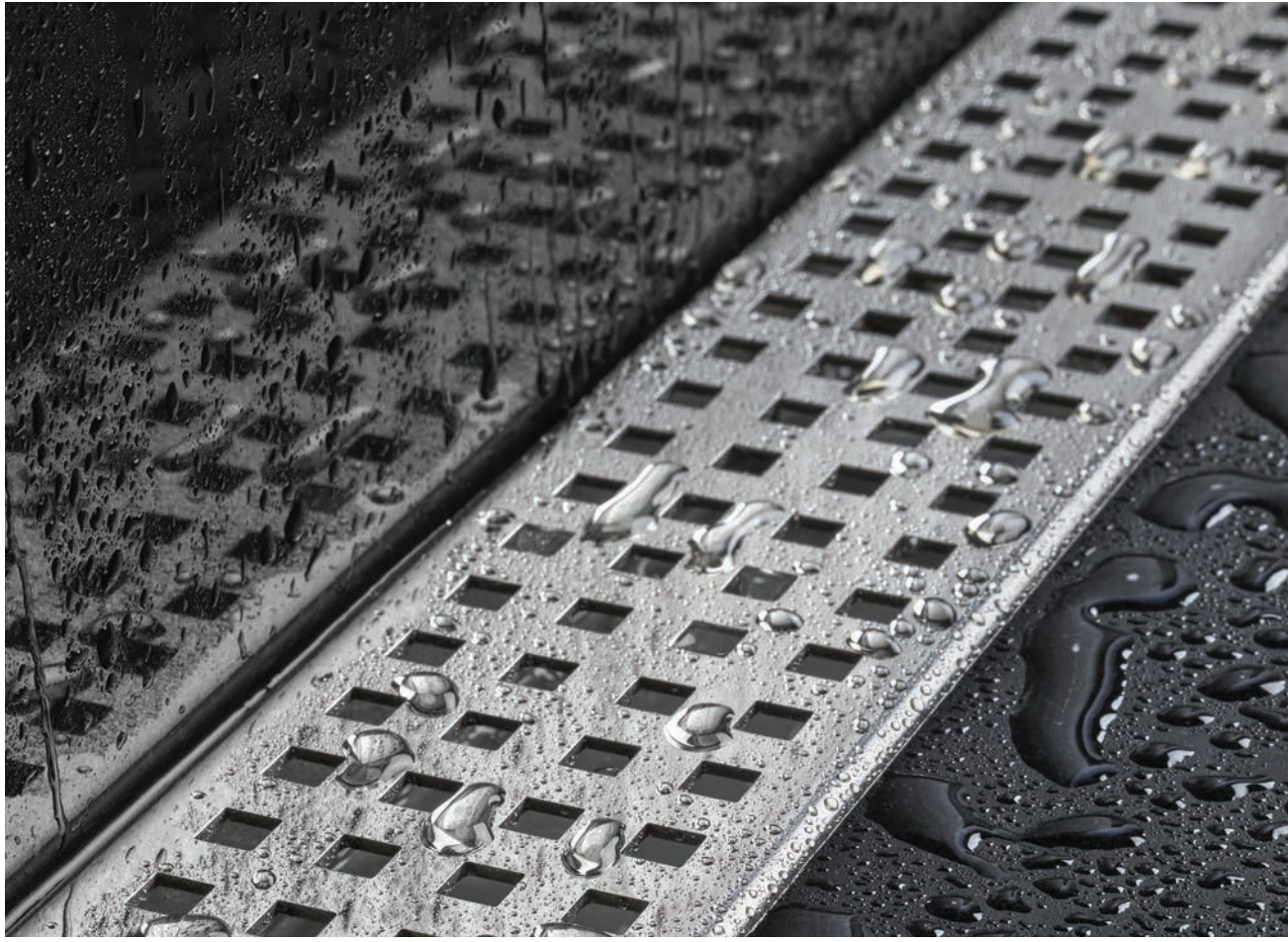


DUFB Series LINEAR FLOOR DRAIN.



DUFB Series



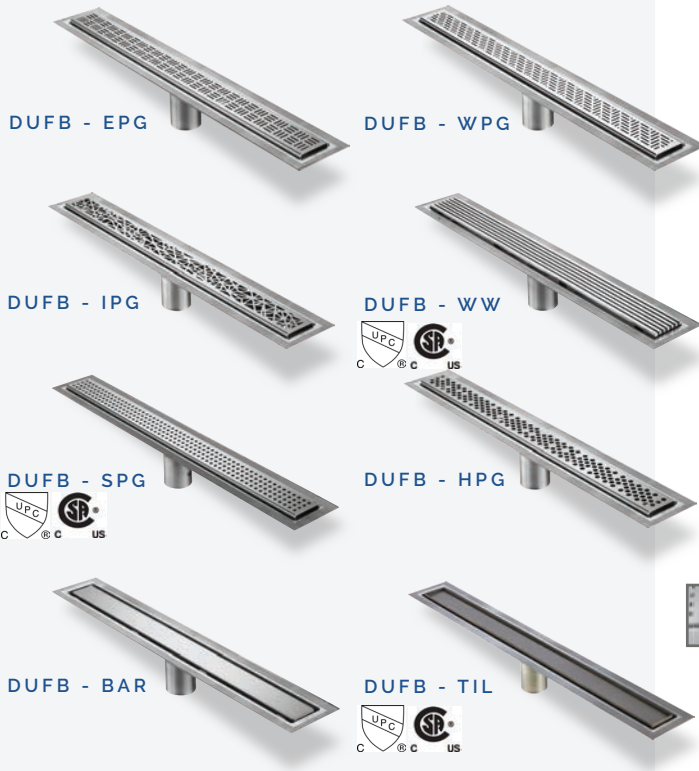
PROJECT: _____

NOTE: _____

DUFB Series

LINEAR FLOOR DRAIN

DUFB Series linear drain is a two-piece low profile linear floor drain system specifically designed for easy installation and bonded waterproofing membrane. DUFB Linear Drain is designed to accommodate large, small format tiles or stone installations in a shower with a single plane slope to the drain. The DUFB linear drain is designed for commercial or residential projects and is intended for interior and exterior applications.



ADVANTAGES






- Single slope to drain.
- Allows for the use of any size tile format tile.
- Tile in grate available to match floor tile.
- Made from heavy duty 304 stainless steel provides for long-lasting performance.
- Textured flange ensures tie waterproof membrane seal to drain body.

SUITABLE SUBSTRATES

- Concrete
- Exterior Glue
- Plywood (Interior Only)
- Cement Backer Board
- Cement Mortar Bed

Model DUFB-____-____-____ eg.(DUFB-SPG-59-BSS)

Full length measured between finish face of sheathing

MODEL:	GRATE STYLE:	LENGTH:	FINISH:
<input checked="" type="checkbox"/> DUFB	<input type="checkbox"/> EPG - Earth Perforated	<input type="checkbox"/> 29 - 29" (74 CM)	<input type="checkbox"/>  PSS- Polished Stainless Steel (All except TIL)
	<input type="checkbox"/> HPG - Honey Perforated	<input type="checkbox"/> 31 - 31" (79 CM)	<input type="checkbox"/>  BSS- Brushed Stainless Steel (Perforated Only)
	<input type="checkbox"/> IPG - Ice Perforated	<input type="checkbox"/> 33 - 33" (84 CM)	<input type="checkbox"/>  BP- Black Powder Coated (Perforated Only)
	<input type="checkbox"/> WPG - Weave Perforated	<input type="checkbox"/> 35 - 35" (89 CM)	<input type="checkbox"/>  BRM- Brass Matte (Perforated Only)
	<input type="checkbox"/> SPG - Square Perforated	<input type="checkbox"/> 39 - 39" (99 CM)	<input type="checkbox"/>  BRP- Brass Polished (Perforated Only)
	<input type="checkbox"/> TIL - Pietra Style (Tile in Tray)	<input type="checkbox"/> 41 - 41" (104 CM)	
	<input type="checkbox"/> WW - Wedgewire	<input type="checkbox"/> 43 - 43" (109 CM)	
	<input type="checkbox"/> BAR - Solid Bar	<input type="checkbox"/> 47 - 47" (119 CM)	
	<input type="checkbox"/> CM - Custom Perforated (_____)	<input type="checkbox"/> 53 - 53" (135 CM)	
		<input type="checkbox"/> 59 - 59" (150 CM)	
		<input type="checkbox"/> 65 - 65" (165 CM)	
		<input type="checkbox"/> 71 - 71" (180 CM)	
		<input type="checkbox"/> Custom Length (_____)	

ADDITIONAL OPTION:

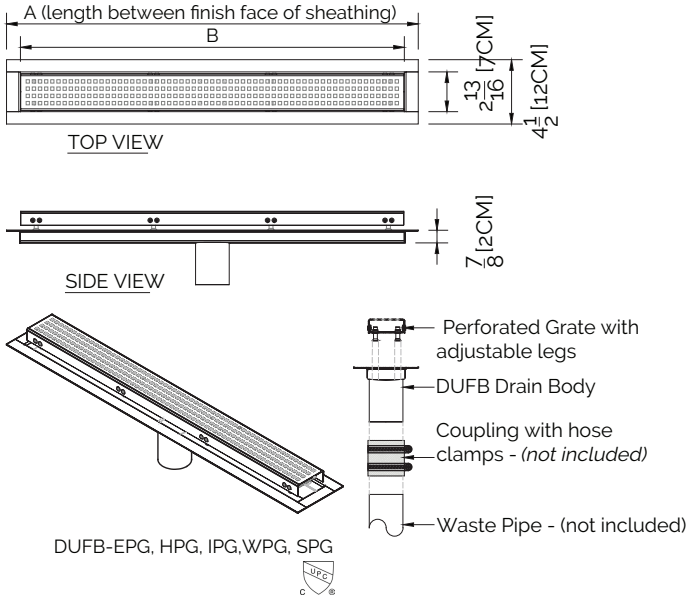
- * ____ Number of Additional Outlets
- **Offset Outlet ____" from outside edge to center of outlet pipe.



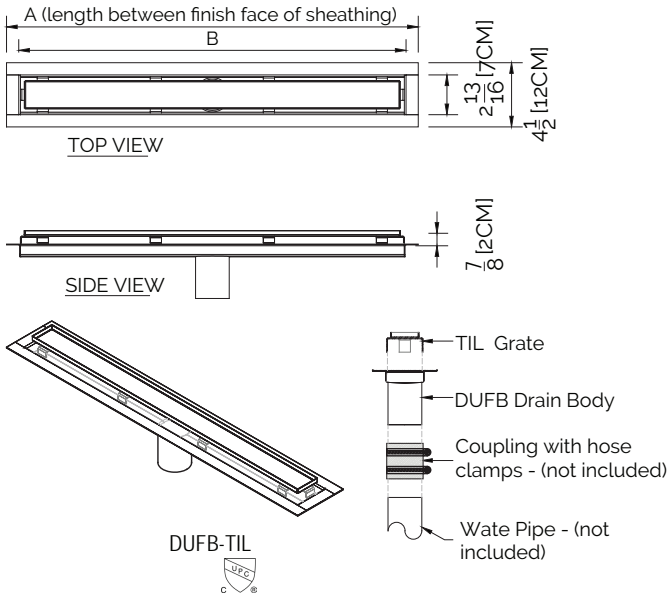
ASME: A 112.18.2
CSA: B 125.2

Installer must verify all rough-in dimensions prior to installation and consult local and national codes. Adherence and compliance to local and national codes are the responsibility of the installer.

DUFB-PERFORATED LINEAR FLOOR DRAIN



DUFB-TIL LINEAR FLOOR DRAIN



Product Attributes

- Application: Commercial, Residential
- Color/Finish Category: Stainless Steel, Powder Coat, Brass
- Color/Finish Name: Polished, Brushed, Matte
- Diameter: 2 in
- Drain Opening: 2 in
- Fits Pipe Size: 2 in
- Material: Stainless Steel
- Material Type: AISI-304 (AISI-316 Available upon request)
- Specifications - ASME: ASME A 112.18.2
- Specifications - CSA Certified: B 125.2
- Specifications - GSA Approved: No
- Specifications - IAPMO Listed: Yes
- Specifications - NSF Certified: No
- Specifications - UL Listed: No
- Style Name: EPG, HPG, IPG, WPG, SPG, & TIL

DIMENSIONS IN INCHES AND CENTIMETERS

PRODUCT DESIGNATION	A	B
29	29" (74 CM)	27" (69 CM)
31	31" (79 CM)	29" (74 CM)
33	33" (84 CM)	31" (79 CM)
35	35" (89 CM)	33" (84 CM)
39	39" (99 CM)	37" (93 CM)
41	41" (104 CM)	39" (99 CM)
43	43" (109 CM)	41" (104 CM)
47	47" (119 CM)	45" (114 CM)
53	53" (135 CM)	51" (130 CM)
59	59" (150 CM)	57" (145 CM)
65	65" (165 CM)	63" (160 CM)
71	71" (180 CM)	69" (175 CM)
CM	CUSTOM	CUSTOM

MAINTENANCE

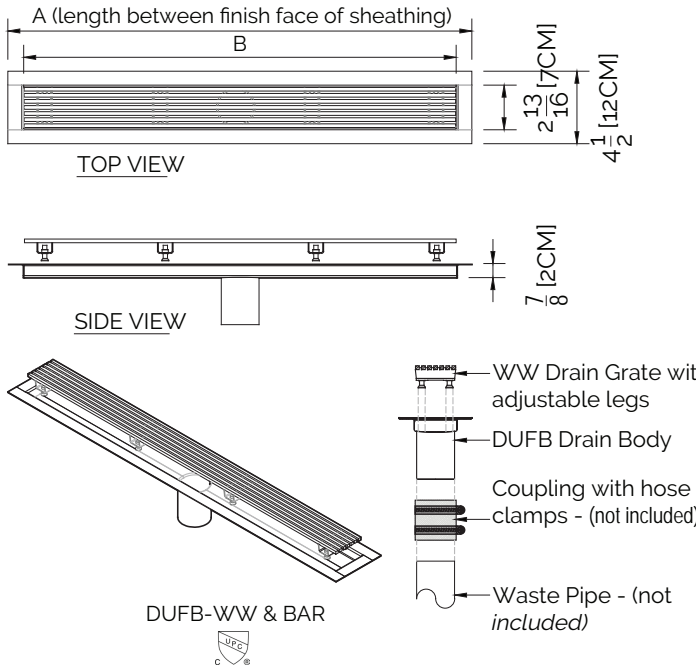
The DUFB drain system is made from durable, non-porous, hygienic and rust-free stainless steel. Exposed surfaces of the DUFB drain System may be cleaned and maintained using mild soaps and a soft cloth. DO NOT use any abrasive cleaners, scrub pads or allow household cleaning agents, such as bleach, to sit on the drain cover for an extended period. Prolong exposure to road salt, sea salt, or chlorine may have caused "surface" rust which can be removed using Barkeepers Friend®, Soft Scrub® with Bleach, or Steel Brite®. Always follow the manufactures directions on the container. Follow proper maintenance procedures to prevent excessive surface rust. In areas of frequent exposure to salt, chlorine, and other chemical compounds, maintenance of the stainless grates should be performed at least 2-3 times per year.



ASME: A 112.18.2
CSA: B 125.2

Installer must verify all rough-in dimensions prior to installation and consult local and national codes. Adherence and compliance to local and national codes are the responsibility of the installer.

DUFB-WW LINEAR FLOOR DRAIN



Product Attributes

- Application: Commercial Residential
- Color/Finish Category: Stainless Steel, Powder Coat, Brass
- Color/Finish Name: Polished, Brushed, Matte
- Diameter: 2 in
- Drain Opening: 2 in
- Fits Pipe Size: 2 in
- Material: Stainless Steel
- Material Type: AISI-304 (AISI-316 Available upon request)
- Specifications - ASME: ASME A 112.18.2
- Specifications - CSA Certified: B 125.2
- Specifications - GSA Approved: No
- Specifications - IAPMO Listed: Yes
- Specifications - NSF Certified: No
- Specifications - UL Listed: No
- Style Name: WW, BAR

DIMENSIONS IN INCHES AND CENTIMETERS

PRODUCT DESIGNATION	A	B
29	29" (74 CM)	27" (69 CM)
31	31" (79 CM)	29" (74 CM)
33	33" (84 CM)	31" (79 CM)
35	35" (89 CM)	33" (84 CM)
39	39" (99 CM)	37" (93 CM)
41	41" (104 CM)	39" (99 CM)
43	43" (109 CM)	41" (104 CM)
47	47" (119 CM)	45" (114 CM)
53	53" (135 CM)	51" (130 CM)
59	59" (150 CM)	57" (145 CM)
65	65" (165 CM)	63" (160 CM)
71	71" (180 CM)	69" (175 CM)
CM	CUSTOM	CUSTOM

MAINTENANCE

The DUFB drain system is made from durable, non-porous, hygienic and rust-free stainless steel. Exposed surfaces of the DUFB drain System may be cleaned and maintained using mild soaps and a soft cloth. DO NOT use any abrasive cleaners, scrub pads or allow household cleaning agents, such as bleach, to sit on the drain cover for an extended period. Prolong exposure to road salt, sea salt, or chlorine may have caused "surface" rust which can be removed using Barkeepers Friend®, Soft Scrub® with Bleach, or Steel Brite®. Always follow the manufactures directions on the container. Follow proper maintenance procedures to prevent excessive surface rust. In areas of frequent exposure to salt, chlorine, and other chemical compounds, maintenance of the stainless grates should be performed at least 2-3 times per year.



ASME: A 112.18.2
CSA: B 125.2

Installer must verify all rough-in dimensions prior to installation and consult local and national codes. Adherence and compliance to local and national codes are the responsibility of the installer.

Fig. DUFB 1

BONDED CORNER LOCATION AT WOOD FRAME

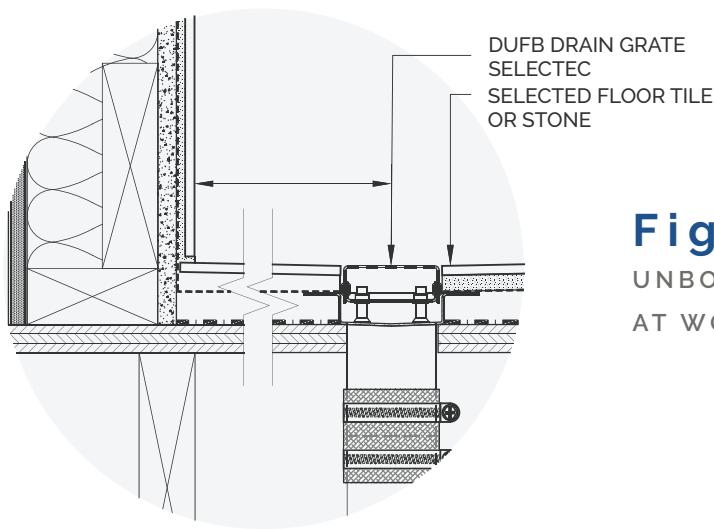
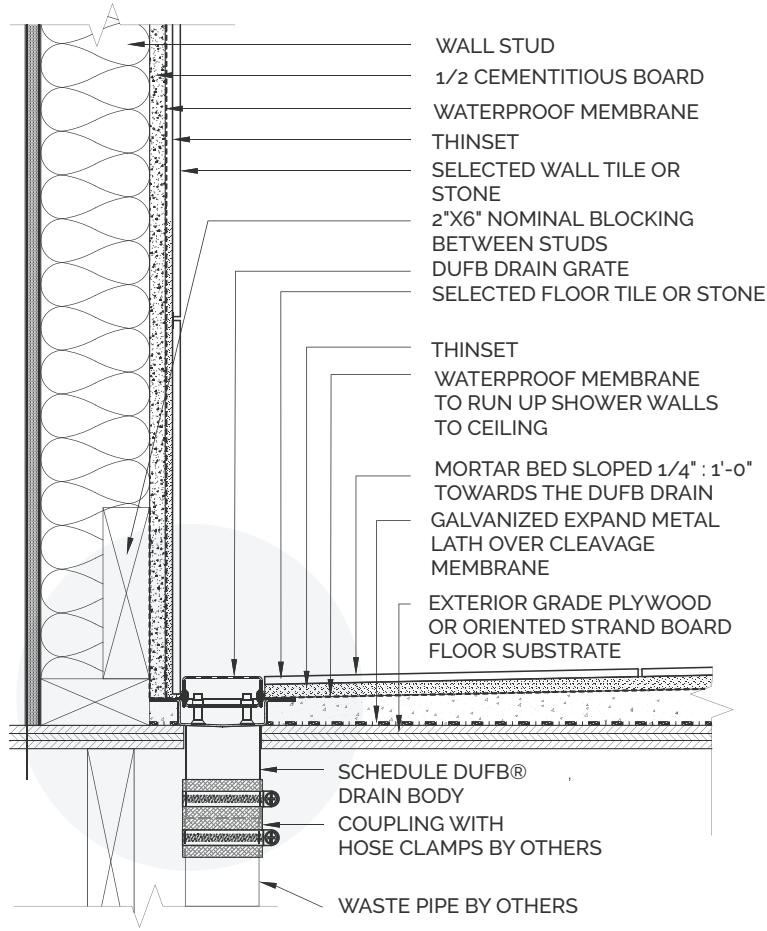


Fig. DUFB 2
UNBONDED LOCATIONS
AT WOOD FRAME



ASME: A 112.18.2
CSA: B 125.2

Installer must verify all rough-in dimensions prior to installation and consult local and national codes. Adherence and compliance to local and national codes are the responsibility of the installer.

Installation

1. Confirm that sub-floor meets all local code requirements and the Tile Council of North Americas (TCNA) guidelines. Ensure sub-floor is for Level and clean of dust and debris.
2. Determine the location of the drain outlet location. Typically linear drains span a dimension from wall to wall, against a wall, entered in the space or at a shower entrance.
3. Once established desired location mark and cutout drainage hole.

Install a layer of cleavage membrane or tar paper over the subfloor.
4. Install a layer of metal lath over cleavage membrane or tar paper.
5. Install specified DUFPP linear drain body by secure to the distribution line to the main waste line with coupling and hose clamps.
6. Spread a primary mortar bed across the predetermined shower area. Pitch this bed towards the drain body at 1/4 inch slop.
7. Install waterproofing membrane (liquid or roll) across floor area and over DUFPP drain body textured flange.
8. Spread thin-set across floor area using tile manufacturer's or stone suppliers recommended trowel spacing size.
9. Install selected tile or stone across floor area; we recommend setting tile or stone finish surface 1/16" above the top of the drain grate.
10. Spread grout across floor area.
11. TIL-Drain Grate Tile Installation:
 - a. Clean drain grate of oils and dust.
 - b. Cut and install a layer of waterproofing membrane inside tile tray.
 - c. Spread a layer of thinset inside tile tray.
 - d. Cut and install selected tile or stone.
12. Install drain grate.
13. Wipe clean all surfaces of dust and debris.



ASME: A 112.18.2
CSA: B 125.2

Installer must verify all rough-in dimensions prior to installation and consult local and national codes. Adherence and compliance to local and national codes are the responsibility of the installer.

Fig. DUFB 3

BONDED CORNER LOCATION AT CONCRETE SLAB

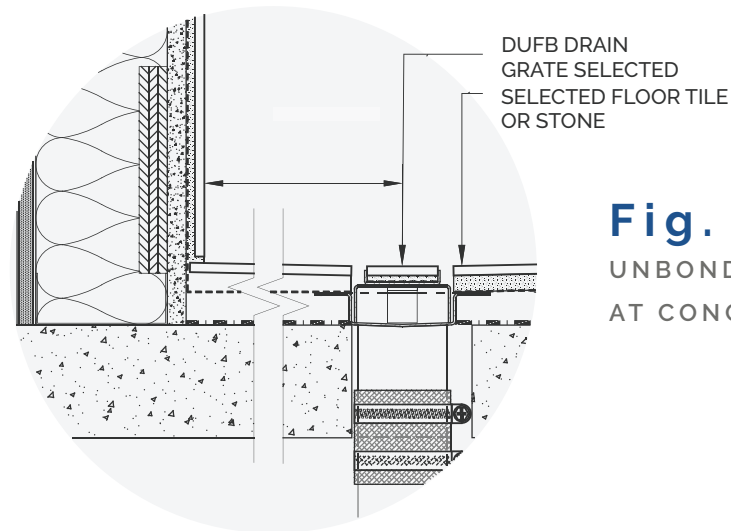
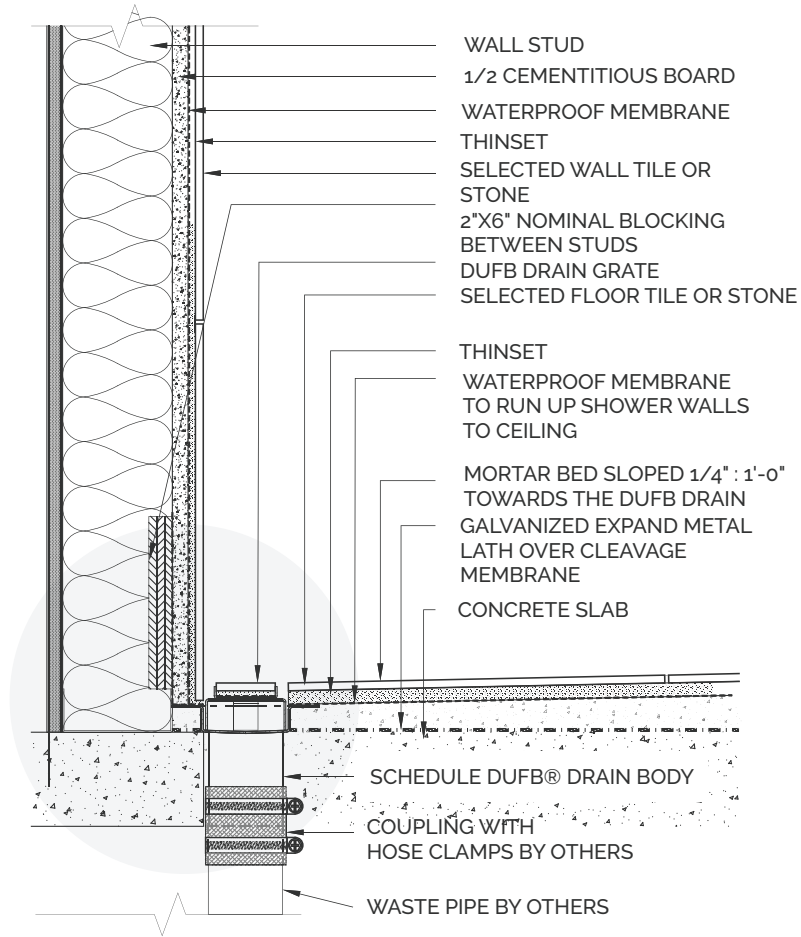


Fig. DUFB 4
 UNBONDED LOCATIONS
 AT CONCRETE SLAB



ASME: A 112.18.2
 CSA: B 125.2

Installer must verify all rough-in dimensions prior to installation and consult local and national codes. Adherence and compliance to local and national codes are the responsibility of the installer.

Installation

- 1.** Confirm that sub-floor meets all local code requirements and the Tile Council of North Americas (TCNA) guidelines.
- 2.** Ensure sub-floor is for Level and clean of dust and debris.

Determine the location of the drain outlet location.
- 3.** Typically linear drains span a dimension from wall to wall, against a wall, entered in the space or at a shower entrance.
- 4.** Once established desired location mark and cutout drainage hole.
- 5.** Install a layer of thinset over concrete slab.
- 6.** Install specified DUFPP linear drain body by secure to the distribution line to the main waste line with coupling and hose clamps.
- 7.** Spread a primary mortar bed across the predetermined shower area. Pitch this bed towards the drain body at 1/4 inch slop.
- 8.** Install waterproofing membrane (liquid or roll) across floor area and over DUFPP drain body textured flange.
- 9.** Spread thin-set across floor area using tile manufacturer's or stone suppliers recommended trowel spacing size.
- 10.** Install selected tile or stone across floor area; we recommend setting tile or stone finish surface 1/16" above the top of the drain grate.
- 11.** Spread grout across floor area.
- 12.** TIL-Drain Grate Tile Installation:
 - a.** Clean drain grate of oils and dust.
 - b.** Cut and install a layer of waterproofing membrane inside tile tray.
 - c.** Spread a layer of thinset inside tile tray.
 - d.** Cut and install selected tile or stone.
- 13.** Install drain grate.
- 14.** Wipe clean all surfaces of dust and debris.



ASME: A 112.18.2
CSA: B 125.2

Installer must verify all rough-in dimensions prior to installation and consult local and national codes. Adherence and compliance to local and national codes are the responsibility of the installer.

10-YEAR LIMITED PRODUCT WARRANTY

COVERAGE AND CONDITIONS

Subject to the following conditions and limitations as specified hereinafter, Drains Unlimited warrants that Drains Unlimited drain will be free from manufacturing defects, and will not rot, deteriorate or break down under normal utilization for a period of ten (10) years from the date of purchase only when the Product is used and installed in accordance with the terms and conditions of the Drains Unlimited® Floor Drains Product Data Sheet and industry standard guidelines that are not in conflict with the Data Sheet in effect at the time of installation. It is the responsibility of the owner/ builder/ installer to ensure the suitability of all building materials and all associated building materials for the owner's intended use. It is recommended that the owner consults with an experienced and professional installer.

RESOLUTION

If the Drains Unlimited Product fails to meet this warranty, then the owner's exclusive remedy and the sole obligation of Drains Unlimited -Systems, at its election, shall be to a) replace the failed Product or b) pay an amount not to exceed the original cost of the Product verified to be defective.

DISCLAIMER

There are no warranties beyond this expressed limited warranty as stated above. all other warranties, representations or conditions, expressed or implied, are disclaimed and excluded, including warranties, representations or conditions of merchantability or fitness for a particular purpose arising by statute or otherwise by law or from a course of dealing or usage of trade. Unlimited drain-systems excludes and in no event shall have any liability for lost profits or any other indirect, special, incidental, punitive, exemplary, or consequential damages, arising out of or otherwise connected to failure of the product or tile assembly of which it is part, nor misuse of the product or tile assembly, regardless of any strict liability, active or passive negligence of Drains Unlimited®, and regardless of the legal theory (contract or tort or extra-contractual or other), nor from acts of war, terrorism, faulty and negligent penetration of the system, fires, explosions, acts of God, intentional acts of destruction or any losses due to structural failure or other causes unrelated to the product or delays, or any other incidental or consequential damages. This warranty is given in lieu of any other warranty expressed or implied. the remedies contained herein are the only remedies available for breach of this warranty. this limited warranty gives you specific legal rights; some states and provinces do not allow disclaimers or other restrictions of implied warranties, so some of the above disclaimers may not apply to you.

TRANSFERABILITY

This Limited Warranty extends ONLY to the original end user (defined as original intended owner and user of the property/unit in which the installation is incorporated - herein referred to as "Owner") and is not transferable or assignable, unless approved in writing by an Officer of Drains Unlimited Systems or otherwise prohibited by specific state or provincial law.

MODIFICATIONS TO WARRANTY

No modification or changes of any terms or conditions of this warranty are allowed except authorized by written agreement and signed by an Officer of Drains Unlimited.

CLAIMS ON THIS LIMITED WARRANTY

To make a claim under this Limited Warranty, the Owner must provide Drains Unlimited® in writing within 30 days of any alleged defect in the Product covered by this Limited Warranty, together with date and proof of purchase of the Product, proof of the costs of the original installation and name and address of all installers, failing which this Limited Warranty shall be of no legal effect. of Drains Unlimited® reserves the right at its election and as a condition of this Limited Warranty to inspect the alleged failure and defective condition



ASME: A 112.18.2
CSA: B 125.2

Installer must verify all rough-in dimensions prior to installation and consult local and national codes. Adherence and compliance to local and national codes are the responsibility of the installer.



DRAINS
UNLIMITED 

Drains Unlimited
110 Post Road, Darien, CT 06820

O | (833) 837-2467
E | info@drains-unlimited.com

www.drains-unlimited.com