


DRAINS
UNLIMITED



DUFB Series
Linear Floor Drain





Let your
shower
speak for
itself

With a sleek minimalist design, **Drains Unlimited linear drains** are the perfect choice for any luxury shower installation. With a wide array of styles, sizes, and custom configurations to choose from, Drains Unlimited drains blend into their surroundings to preserve your shower's natural beauty.

DUFB Series Linear Floor Drain

The DUFB Linear Floor Drain is designed to be a stylish addition to any single pane slope shower installation. Choose from a variety of grate styles, finishes, sizes, and custom configurations to find the perfect style, size, and finish combination to perfectly complement your shower's aesthetic.

Made from heavy duty 304 stainless steel, The DUFB Linear Floor Drain is built to last. The textured flange assures a tight waterproof membrane seal, ensuring longevity and quality for years to come. The DUFB can be custom fabricated to accommodate any size format tile or stone, making it a perfect fit for any luxury shower.





Add innovation & design
to your shower with DRAINS
that blend into it's ambiance.

DUFB Series linear drain is a two-piece low profile linear floor drain system specifically designed for easy installation and bonded waterproofing membrane. DUFB Linear Drain is designed to accommodate large, small format tiles or stone installations in a shower with a single plane slope to the drain. The DUFB linear drain is designed for commercial or residential projects and is intended for interior and exterior applications.



Innovation

Our innovative patented design is more hygienic, easier to install, and easier to maintain than any other linear drain on the market today.



Quality

Designed to last, made from the highest quality materials, and built to exacting standards for the best finished product possible.



Design

With minimalist profile that's nearly invisible once installed, Drains Unlimited linear drains are an elegant solution for any luxury shower installation.

DUFB Linear Floor Drain

Catalog



Beautiful design,
higher quality,
better performance

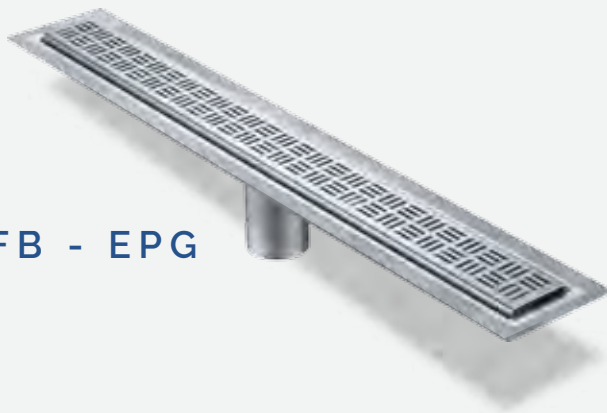
The **DUFB Linear Floor Drain** adds a stylish accent to any single pane slope shower installation. Available in a wide variety of grate styles, finishes, sizes, and custom configurations, you can choose the perfect look to complement your shower's aesthetic. Designed to modate any size format tile or stone, the DUFB Series is a perfect fit for any luxury shower.



DUFB - IPG



DUFB - EPG



DUFB - SPG



DUFB - BAR





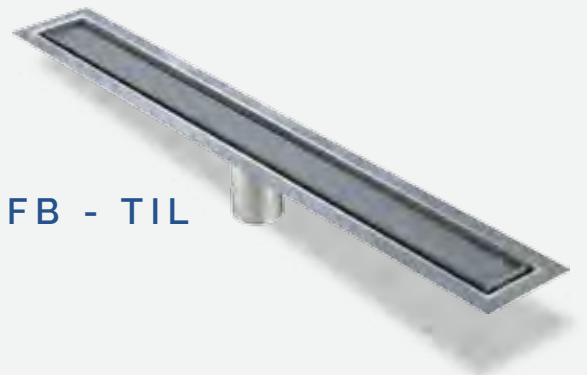
DUFB - WPG



DUFB - HPG



DUFB - WW



DUFB - TIL

DUFB Series Finish



Polished
Stainless Steel
(All except TIL)



Brushed
Stainless Steel



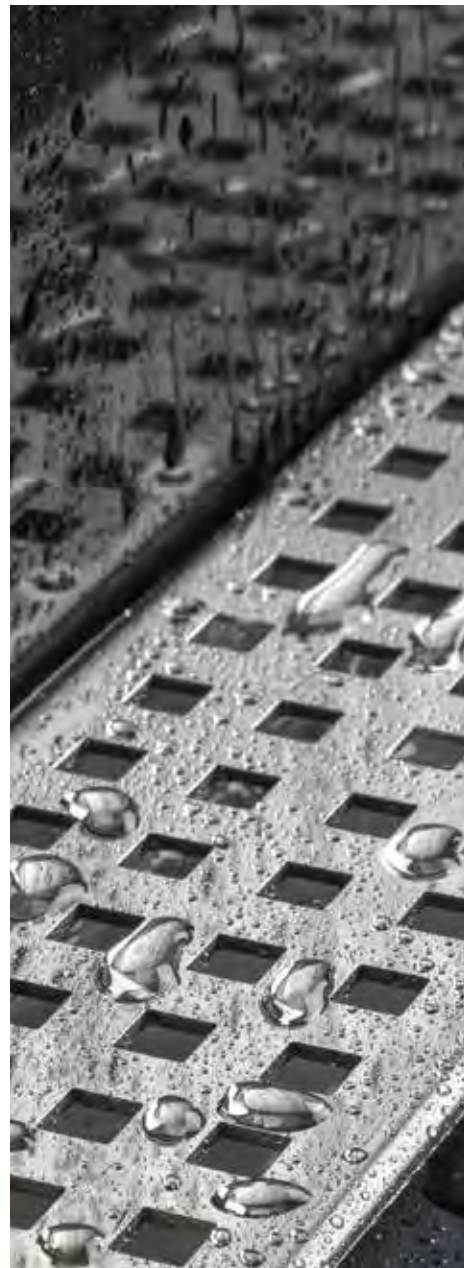
Black Powder
Coated
(Perforated Only)



Brass Matte
(Perforated Only)

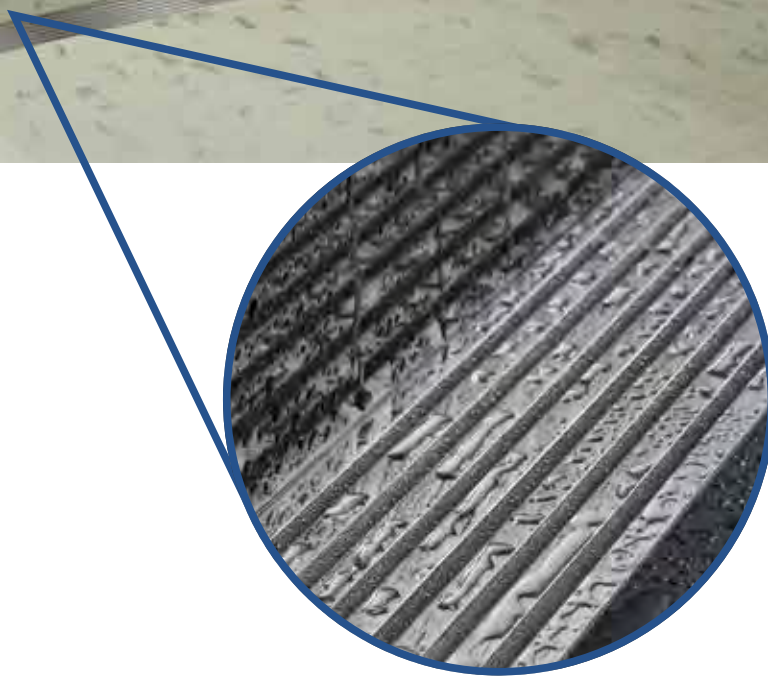


Brass Polished





DUFB Wedge Installation sample



DUFB - Wedge



DUFB - Earth



DUFB Bar



DUFB Bar

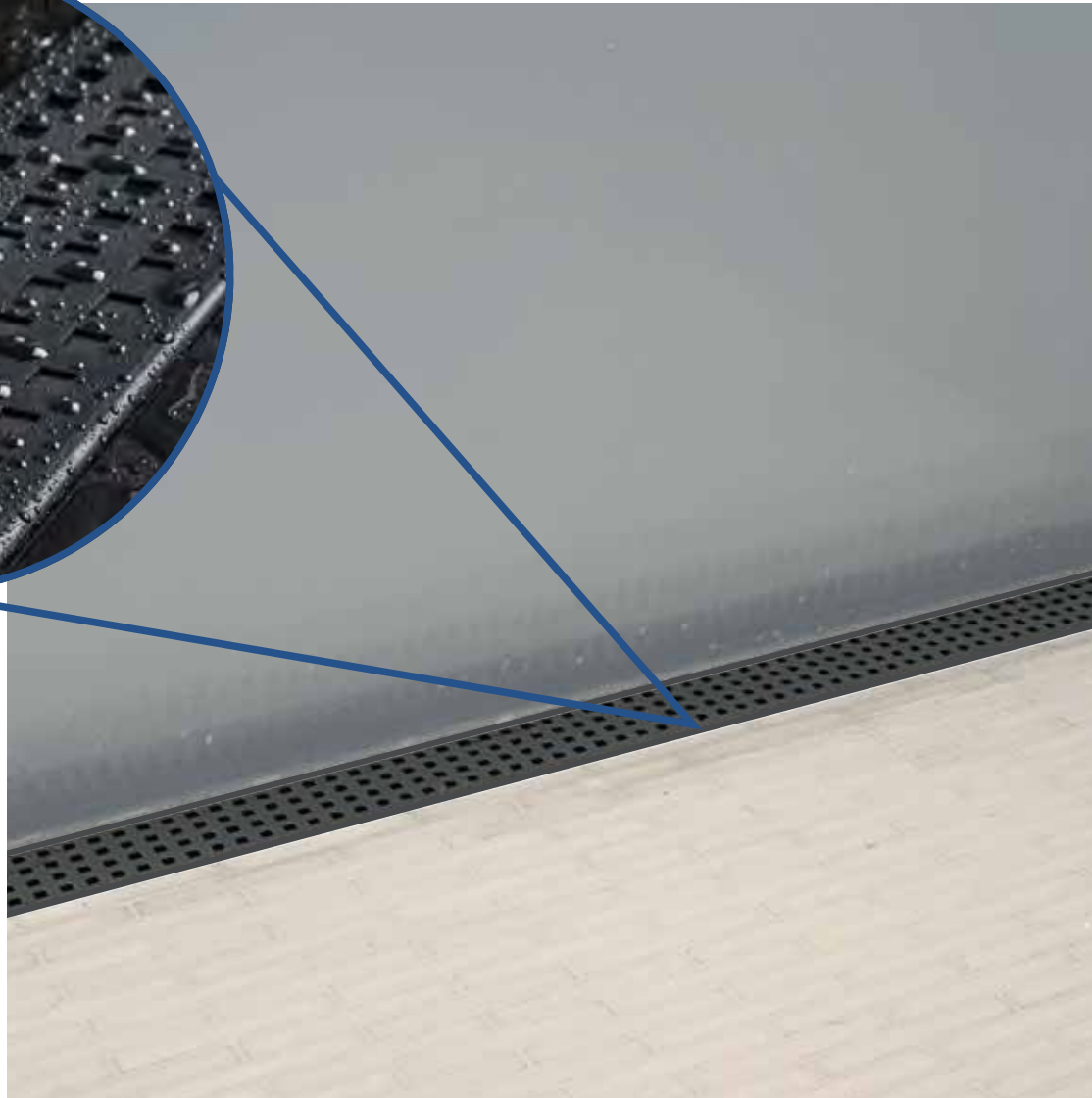
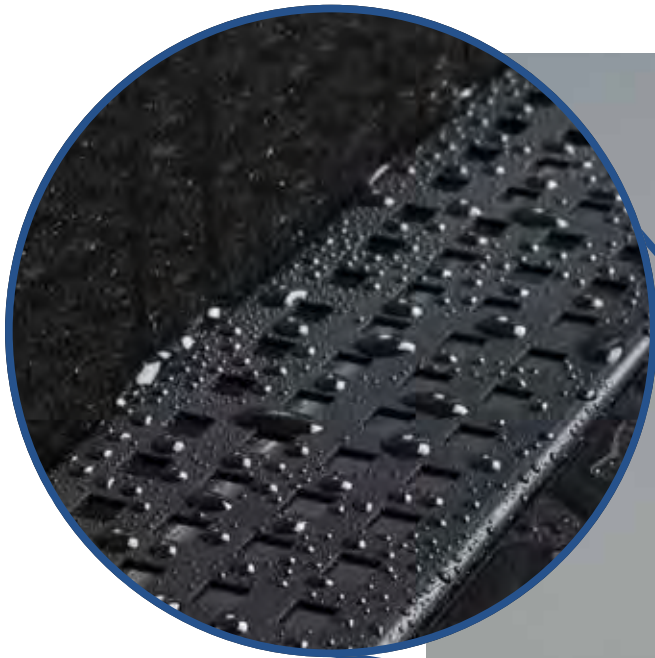


DUFB - Honey





DUFB - Square Installation



DUFB - Square



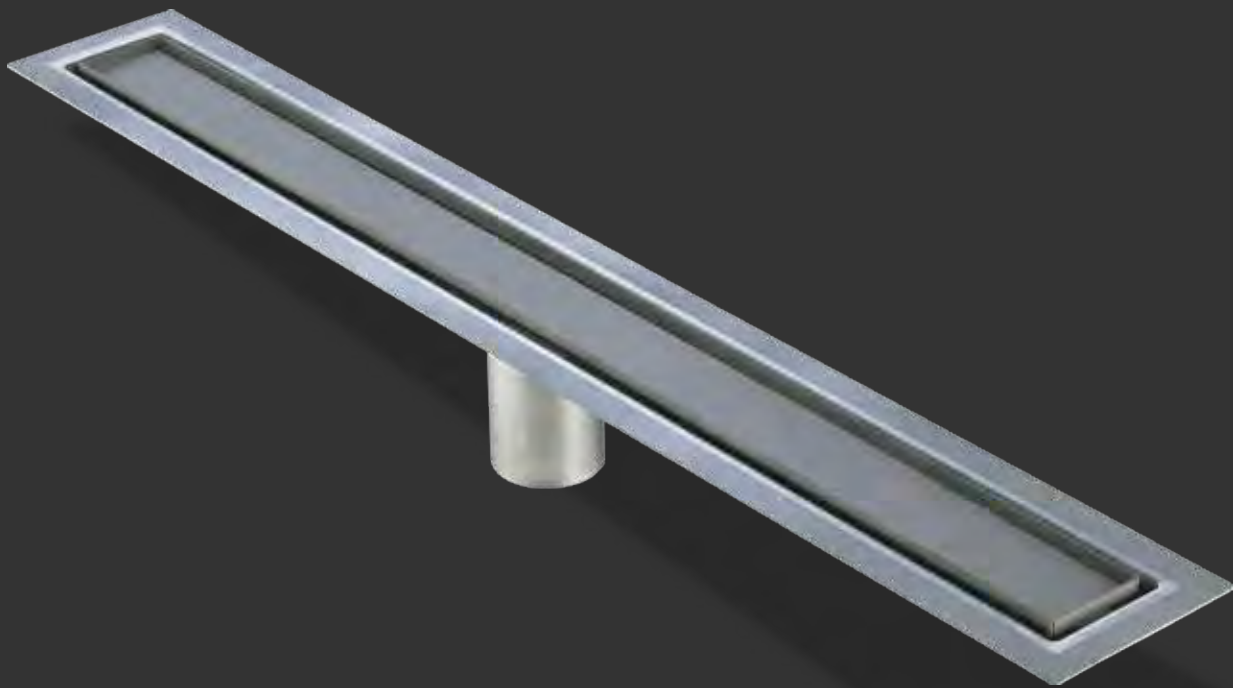
DUFB - Ice



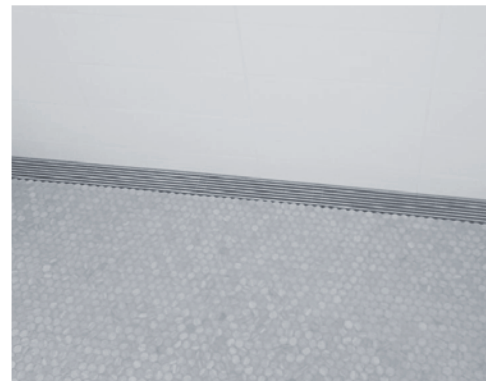
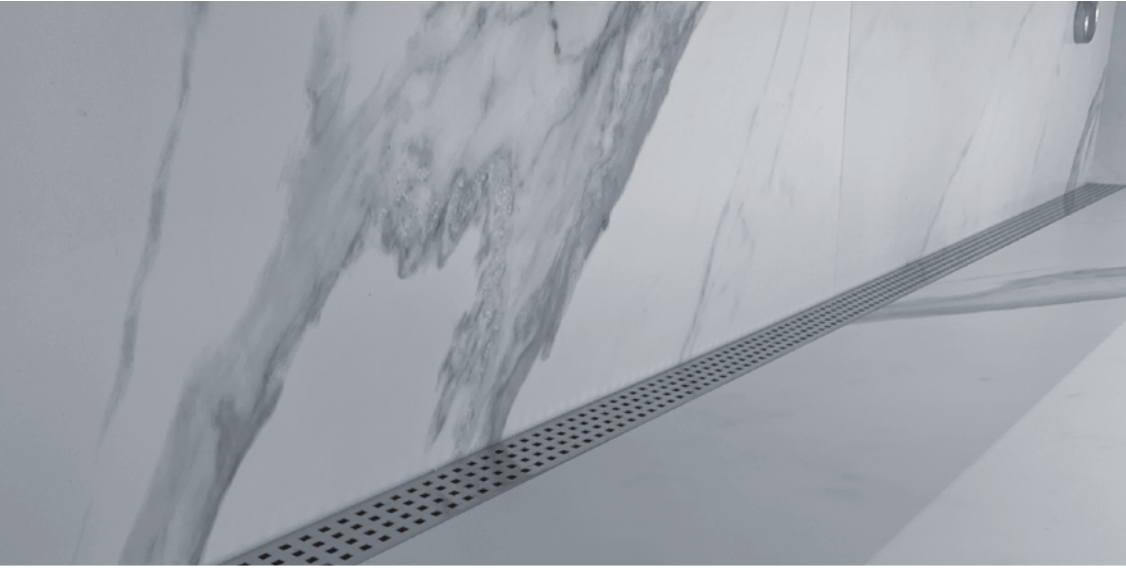
DUFB - Weave



DUFB Tile In Tray



DUFB Series Installations



DRAINS

UNLIMITED



Drains Unlimited
110 Post Road, Darien, CT 06820

O | (833) 837-2467
E | info@drains-unlimited.com

www.drains-unlimited.com