

REVISED STARTING
SERIAL # 141010199

PARTS LIST MANUAL

MODEL TG10



GASOLINE MODEL



PROPANE MODEL



ELECTRIC MODEL

10" TURBO GRINDERS

SKU #	MODEL #	POWER OPTION
56600	TG10-11H	HONDA GASOLINE ENGINE MODEL GXV340UT2-DX3
56700	TG10-13P	KAWASAKI PROPANE ENGINE MODEL FH381V
56900	TG10-5B/230/1	BALDOR ELECTRIC MOTOR 5HP 1PH 60Hz 230V
56800-230	TG10-5B/230/3	BALDOR ELECTRIC MOTOR 5HP 3PH 60Hz 230V
56800-460	TG10-5B/460/3	BALDOR ELECTRIC MOTOR 5HP 3PH 60Hz 460V
56800-50/220	TG10-5B/50/220/3	BALDOR ELECTRIC MOTOR 5HP 3PH 50Hz 220V
56800-50/380	TG10-5B/50/380/3	BALDOR ELECTRIC MOTOR 5HP 3PH 50Hz 380V
56800-50/440	TG10-5B/50/440/3	BALDOR ELECTRIC MOTOR 5HP 3PH 50Hz 440V



A Division of Equipment Development Company, Inc.

100 Thomas Johnson Drive, Frederick, MD 21702-4600 USA

Phone (301) 663-1600 • 1-800-638-3326

Fax (301) 663-1607 • 1-800-447-3326

Website: www.edcoinc.com

Email: sales@edcoinc.com

Printed in USA

JWA ©2014

READ AND UNDERSTAND THE OPERATORS INSTRUCTION MANUAL *THOROUGHLY* BEFORE ATTEMPTING TO OPERATE THIS EQUIPMENT.



Death or serious injury could occur if this machine is used improperly.



SAFETY MESSAGES

- Safety Instructions are preceded by a graphic alert symbol of DANGER, WARNING, or CAUTION.



Indicates an imminent hazard which, if not avoided, will result in death or serious injury.



Indicates an imminent hazard which, if not avoided, can result in death or serious injury.



Indicates hazards which, if not avoided, could result in serious injury and or damage to the equipment.

GASOLINE/PROPANE POWERED EQUIPMENT



- Engine exhaust from this product contains chemicals known to the State of California to cause cancer, birth defects or other reproductive harm.



- Gasoline is extremely flammable and poisonous. It should only be dispensed in well ventilated areas, and with a cool engine.

- Small gasoline engines produce high concentrations of carbon monoxide (CO) example: a 5 HP 4 cycle engine operation in an enclosed 100,000 cu. ft. area with only one change of air per hour is capable of providing deadly concentrations of CO in less than fifteen minutes. Five changes of air in the same area will produce noxious fumes in less than 30 minutes. Gasoline or propane powered equipment should not be used in enclosed or partially enclosed areas. Symptoms of CO poisoning include, headache, nausea, weakness, dizziness, visual problems and loss of consciousness. If symptoms occur - get into fresh air and seek medical attention immediately.

ELECTRICAL POWERED EQUIPMENT



Extreme care must be taken when operating electric models with water present: Ensure power cord is properly grounded, is attached to a Ground-Fault-Interrupter (GFI) outlet, and is undamaged.

- Check all electrical cables - be sure connections are tight and cable is continuous and in good condition. Be sure cable is correctly rated for both the operating current and voltage of this equipment.
- Improper connection of the equipment-grounding conductor can result in a risk of electric shock. Check with qualified electrician or service person if there is any doubt as to whether the outlet is properly grounded. Adhere to **all** local codes and ordinances.
- **NOTE:** In the event of a malfunction or breakdown, grounding provides a path of least resistance for the electric current to dissipate. The motor is equipped with a grounded plug and must be connected to an outlet that is properly installed and properly grounded. DO NOT modify the plug provided on the motor. If the plug does not fit the outlet have a qualified electrician install the proper receptacle.
- Switch motor OFF **before** disconnecting power.

- Do not disconnect power by pulling cord. To disconnect, grasp the plug, not the cord.
- Unplug power cord at the machine when not in use and before servicing.

GENERAL INSTRUCTIONS

- Equipment should only be operated by trained personnel in good physical condition and mental health (not fatigued). The operator and maintenance personnel must be physically able to handle the bulk weight and power of this equipment.
- This is a one person tool. Maintain a safe operating distance to other personnel. It is the **operators' responsibility** to keep other people (workers, pedestrians, bystanders, etc.) away during operation. Block off the work area in all directions with roping, safety netting, etc. for a safe distance. Failure to do so may result in others being injured by flying debris or exposing them to harmful dust and noise.
- This equipment is intended for commercial use only.
- For the operator's safety and the safety of others, always keep all guards in place during operation.
- Never let equipment run unattended.



- Personal Protection Equipment and proper safety attire must be worn when operating this machinery. The operator must wear approved safety equipment appropriate for the job such as hard hat and safety shoes when conditions require. Hearing protection **MUST** be used (operational noise levels of this equipment may exceed 85db). Eye protection **MUST** be worn at all times.



- Keep body parts and loose clothing away from moving parts. Failure to do so could result in dismemberment or death.

- Do not modify the machine.
 - Stop motor/engine when adjusting or servicing this equipment.
- Maintain a safe operating distance from flammable materials. Sparks from the cutting-action of this machine can ignite flammable materials or vapors.

DUST WARNING



Some dust created by power sanding, sawing, grinding, drilling, and other construction activities contains chemicals known to cause cancer, birth defects, or other reproductive harm. Some examples of these chemicals are:

- Lead from lead-based paints, and
- Crystalline silica from bricks and concrete and other masonry products.

Your risk of exposure to these chemicals varies depending on how often you do this type of work. To reduce your risk: work in a well ventilated area, use a dust control system, such as an industrial-style vacuum, and wear approved personal safety equipment, such as a dust/particle respirator designed to filter out microscopic particles.

PARTS LIST MANUAL

MODEL TG10

10” TURBO GRINDERS

TABLE OF CONTENTS

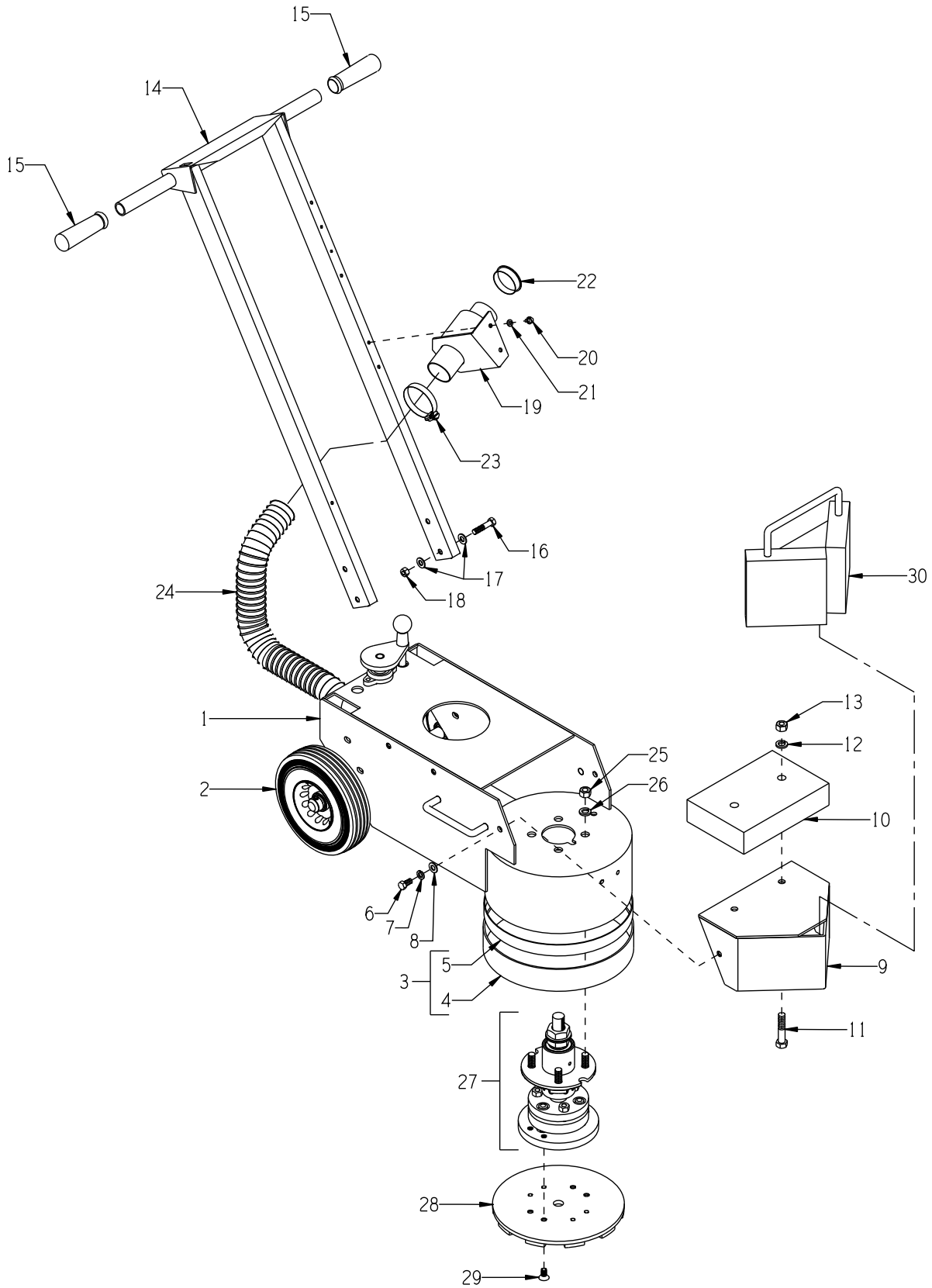
<u>Section</u>	<u>Page Number</u>
Safety Messages and General Instructions	2
How To Order Replacement Parts	3
Illustration 1: Main Grouping	4, 5
Illustration 2: Optional Leveling System	6
Illustration 3: Optional Ball Caster Depth Stop Kit	7
Illustration 4: Water Valve Grouping	8
Illustration 5: Bearing Hub & Head Assembly	9
Illustration 6: Rigid Head Assembly (Standard)	10
Illustration 7: Flex Head Assembly (Optional)	11
Illustration 8: Gasoline Engine & Belt Drive Grouping	12, 13
Illustration 9: Propane Engine & Belt Drive Grouping	14, 15
Illustration 10: Propane Tank Grouping	16, 17
Illustration 11: Single-Phase Motor & Belt Drive Grouping	18, 19
Illustration 12: Three-Phase Motor & Belt Drive Grouping	20, 21
Wiring Diagram for Rotary Cam Switch (Single Phase)	22
Wiring Diagram for Starter (Three Phase)	23
Motor Wiring Diagram 1-Phase 60 Hz 230V	24
Motor Wiring Diagram 3-Phase 60 Hz 230/460V	25
Motor Wiring Diagram 3-Phase 50 Hz 220/380/440V	26
Notes	27
Limited Equipment Warranty of Sale - Terms & Conditions	28 (Back Page)

<p>HOW TO ORDER REPLACEMENT PARTS</p> <ul style="list-style-type: none"> <input type="checkbox"/> To insure product safety and reliability, always use genuine EDCO replacement parts when making repairs to the equipment. <input type="checkbox"/> When calling for parts, specify the MODEL and SERIAL number of the machine, which can be found on the NAME PLATE. Keep that information in the space provided. In addition to this information, give part number, description, and quantity as listed on the parts list to your parts representative. <input type="checkbox"/> Please note: Due to improvements and changes in the equipment, the illustrations shown may be different than the actual machine. 	<p style="text-align: center;">FILL IN INFORMATION BELOW</p> <p>Date of Purchase _____</p> <p>Model # _____</p> <p>Serial # _____</p> <p>SKU # _____</p>
--	---



100 Thomas Johnson Drive, Frederick, MD 21702-4600 USA
 Phone (301) 663-1600 • 1-800-638-3326
 Fax (301) 663-1607 • 1-800-447-3326
 Website: www.edcoinc.com
 Email: sales@edcoinc.com

ILLUSTRATION 1: MAIN GROUPING



PARTS LISTING - ILLUSTRATION 1 : MAIN GROUPING			
ITEM #	PART #	DESCRIPTION	QTY.
1	86701	MAIN FRAME	1
2	-----	LEVELING SYSTEM (REFER TO ILLUS. 2 FOR BREAKDOWN)	-
3	86426K	RUBBER SKIRT W/ VELCRO LOOP & HOOK (INCLUDES ITEMS 4 & 5 TOGETHER)	1
4	86426	RUBBER SKIRT W/ VELCRO-LOOP 39-1/8" NOTE: CUT TO 36"	1
5	86427	VELCRO-HOOK ONLY, 1" X 39" (CUT DOWN) (THIS PIECE IS PLACED AROUND THE BOTTOM EDGE OF THE SHROUD)	1
6	10907	SCREW, CAP 3/8-16 X 3/4	2
7	10811	WASHER, LOCK 3/8 ZINC	2
8	10025	WASHER, FLAT 3/8 SAE ZINC	2
9	86303	HOOD	1
10	86345	WEIGHT BLOCK, 30 LB. 9 X 6 X 2 (ELECTRIC MODELS ONLY)	1
11	10499	SCREW, CAP 1/2-13 X 3	2
12	10045	WASHER, LOCK 1/2 ZINC	2
13	10417	NUT, HEX 1/2-13 ZINC	2
14	86304	HANDLE BAR	1
15	10608	GRIP, HAND 1" MODEL AT	2
16	10029	SCREW, CAP 3/8-24 X 1-3/4	4
17	10025	WASHER, FLAT 3/8 SAE ZINC	8
18	10004	NUT, HEX LOCK 3/8-24 ZINC	4
19	86347	BRACKET, MULTI-VAC PORT 2-3"	1
20	10846	SCREW, CAP STSHW 1/4-20 X 1/2	2
21	10038	WASHER, LOCK 1/4 ZINC	2
22	65021	CAP/PLUG 2" RED PLASTIC, FLANGED	1
23	10766	CLAMP, HOSE, SAE #32, ADJ. TO 2-1/2	2
24	77113	HOSE, FLEX 2"ID X 32"L, GRINDERS	1
25	10072	NUT, HEX 1/2-20 ZINC	4
26	10045	WASHER, LOCK 1/2 ZINC	4
27	86333... 86326...	HEAD ASSEMBLY COMPLETE W/ BEARING HUB* ...RIGID STYLE ...FLEXIBLE STYLE *NOTE: REFER TO ILLUS. 5, 6, AND 7 FOR BREAKDOWNS	1
28	19166... 19167... 86389...	DIAMOND DISC** ...10" - 20 SEG. GENERAL PURPOSE (INCLUDED W/ MACHINE) ...10" - 10 SEG. GENERAL PURPOSE ABRASIVE (OPTIONAL) ...10" QUICK-CHANGE MULTI-ACCESSORY DISC (OPTIONAL) **NOTE: REFER TO ACCESSORY PRICE LIST OR CATALOG FOR OTHER DIAMOND DISC THAT ARE AVAILABLE.	1
29	86108	SCREW, FLAT HD SKT 3/8-24 X 3/4	4
30	86340	OPTIONAL 30 LB. WEIGHT	1



A Division of Equipment Development Company, Inc.

100 Thomas Johnson Drive, Frederick, MD 21702-4600 USA

Phone (301) 663-1600 • 1-800-638-3326

Fax (301) 663-1607 • 1-800-447-3326

Website: www.edcoinc.com

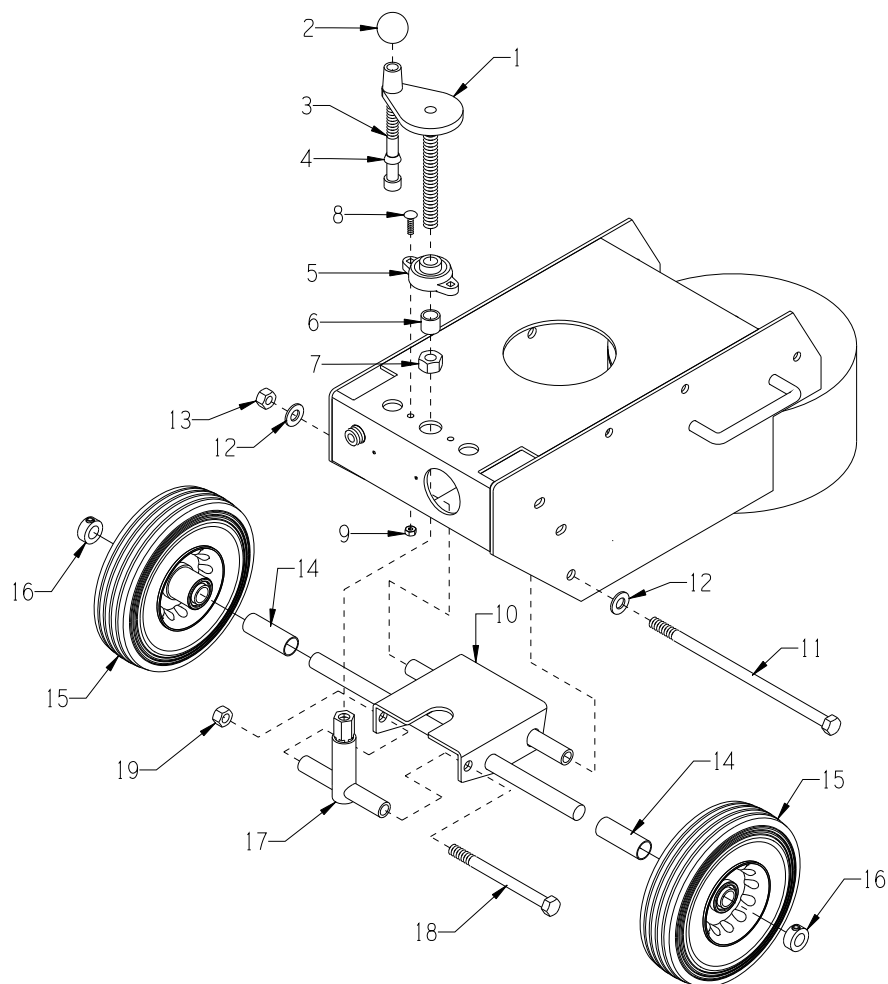
Email: sales@edcoinc.com

Printed in USA

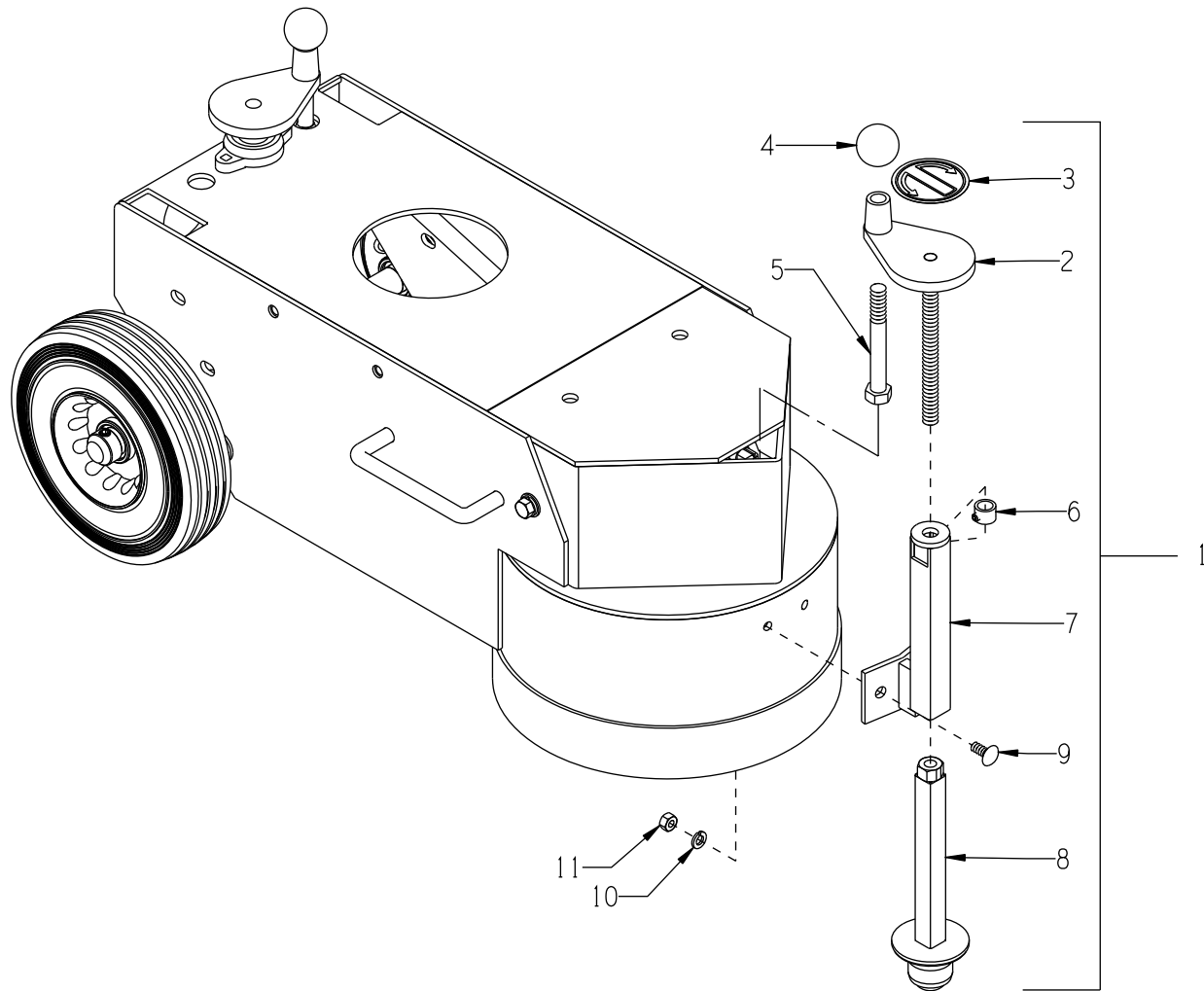
JWA ©2014

Page 5

ILLUSTRATION 2: LEVELING SYSTEM

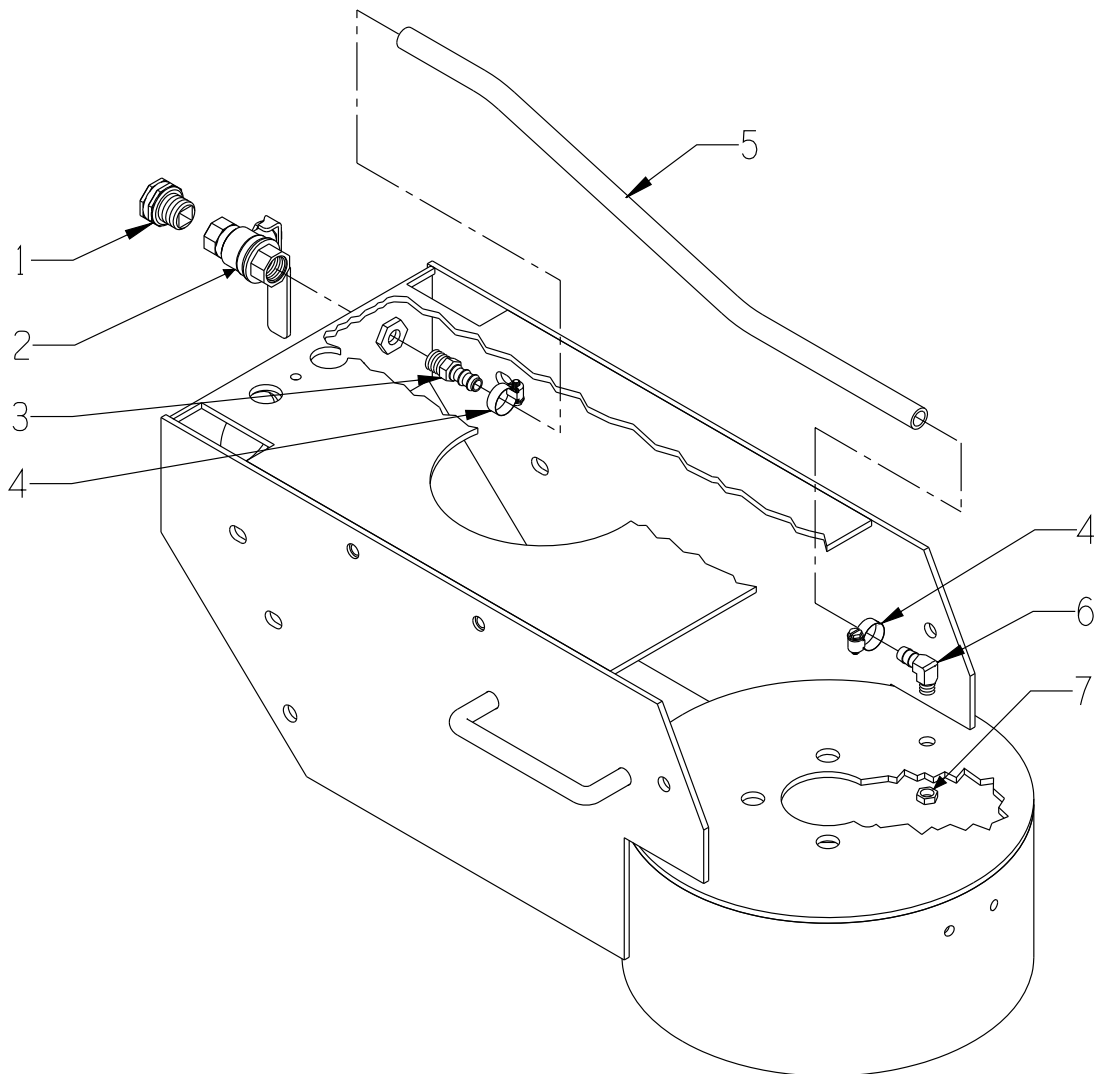


ITEM #	PART #	DESCRIPTION	QTY.
1	86707	KNOB, WHEEL HEIGHT CONTROL	1
2	14023	KNOB, BALL 1-3/8 W/ 1/2-13THD, BLK.	1
3	10411	SCREW, SKT. HD. CAP 1/2-13 X 4 ZINC	1
4	50550	SLEEVE, BRASS 1/2" TAPERED	1
5	80009	BEARING, BALL 5/8" 2-HOLE (NO G.F.)	1
6	55010	SPACER, HANDWHEEL 5/8"ID X 3/4"L	1
7	10046	NUT, HEX 5/8-11 ZINC	1
8	10412	BOLT, CARRIAGE 1/4-20 X 1 FULL THD.	2
9	10861	NUT, KEPS LOCK 1/4-20 ZINC	2
10	86702	FORK, TG-10	1
11	10355	SCREW, CAP 1/2-13 X 11	1
12	10312	WASHER, FLAT 1/2 SAE ZINC	2
13	10407	NUT, HEX LOCK 1/2-13 ZINC	1
14	86705	SPACER 2-9/16"L, WHEEL	2
15	79013SH	WHEEL, STEEL HUB 8 X 2-1/2 X 3/4"BRG.	2
16	10428	COLLAR, LOCKING 3/4"ID	2
17	86703	LINKAGE, FORK, TG-10	1
18	10329	SCREW, CAP 1/2-20 X 6	1
19	10205	NUT, HEX LOCK 1/2-20 ZINC	1

ILLUSTRATION 3: OPTIONAL BALL CASTER DEPTH STOP KIT


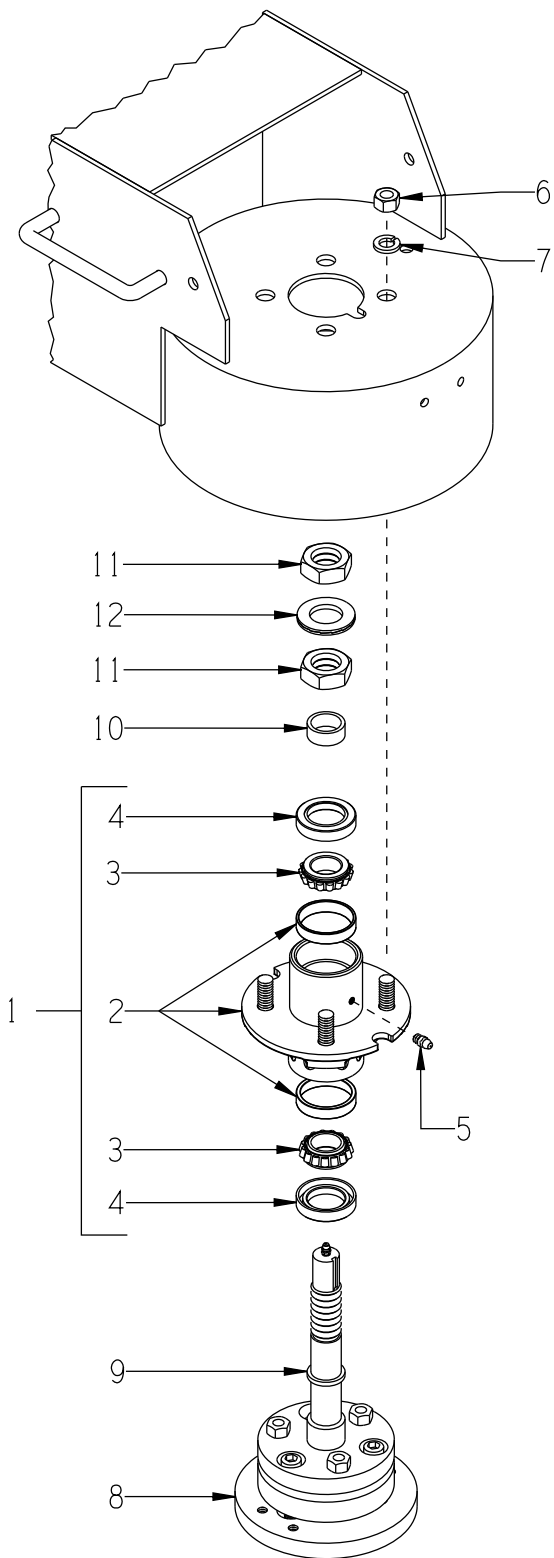
ITEM #	PART #	DESCRIPTION	QTY.
1	86330	BALL CASTER DEPTH STOP KIT (ITEMS 2 THRU 11)	1
2	86313	HANDWHEEL, SMALL W/ ROD 1/2-13 X 6-1/2	1
3	80007	DECAL, DEPTH STOP - DN/UP 2.5"	1
4	10104	KNOB, BALL 1-7/8 W/ 1/2-13THD, BLK.	1
5	81001	SCREW, CAP 1/2-13 X 4	1
6	86316	COLLAR, LOCKING 1/2", MODIFIED 11/16"OD	1
7	86314	SUPPORT, DEPTH STOP	1
8	86315	BALL-CASTER WELDMENT	1
9	10818	BOLT, CARRIAGE 5/16-18 X 3/4 F.T.	2
10	10801	WASHER, LOCK 5/16 ZINC	2
11	10054	NUT, HEX 5/16-18 ZINC	2

ILLUSTRATION 4: WATER VALVE GROUPING

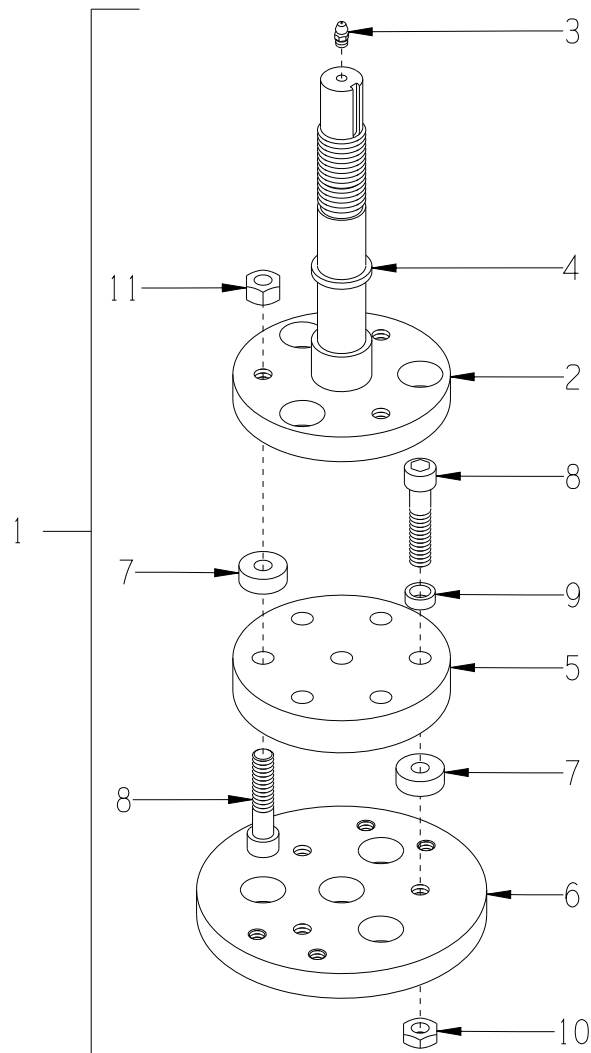


ITEM #	PART #	DESCRIPTION	QTY.
1	80021	CONN., SWIVEL FEM. 3/4HOSE X 1/2MPT (INCLUDES HOSE WASHER)	1
2	10711	VALVE, BALL 1/2 FPT	1
3	50075	BARB, 3/8 HOSE X 1/4MPT (BRASS)	1
4	50069	CLAMP, HOSE, SAE #6, ADJ. TO 13/16	2
5	86329	HOSE 3/8"ID X 19-1/4"L, TG-10	1
6	11562	BARB ELBOW 90, 3/8HOSE X 1/8MPT (BRASS)	1
7	10864	NUT 1/8-27 PIPE THREAD (BRASS)	1

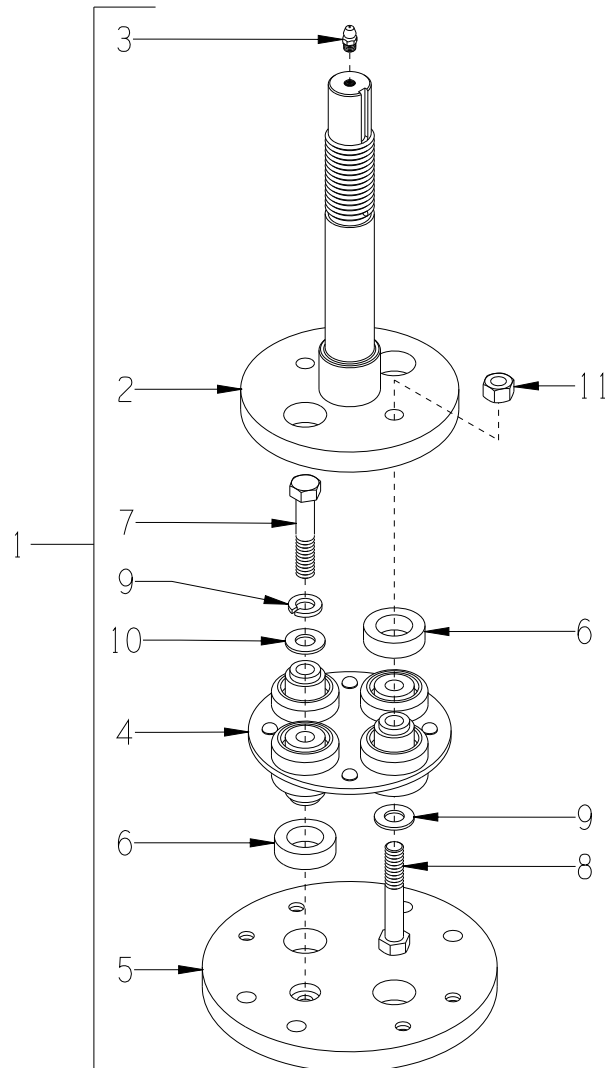
ILLUSTRATION 5: BEARING HUB & HEAD ASSEMBLY



ITEM #	PART #	DESCRIPTION	QTY.
1	86320A	HUB ASSY. W/ BEARINGS & SEALS (INCLUDES ITEMS 2 THRU 5)	1
2	86320HG 86339	HUB W/ RACE CUPS & GREASE HOLE BEARING RACE CUP L44610 NOTE: RACE CUPS ARE PRESSED IN	1 2
3	86321	BEARING, TAPERED ROLLER 1"ID CONE ONLY	2
4	86322	SEAL, BEARING HUB, 1.25 X 1.983	2
5	10808	FITTING, GREASE 1/4-28 STRAIGHT	1
6	10072	NUT, HEX 1/2-20 ZINC	4
7	10045	WASHER, LOCK 1/2 ZINC	4
8	86333LB... 86326LB...	HEAD ASSY. LESS BEARINGRIGID STYLE (SEE ILLUS. 6)FLEX STYLE (SEE ILLUS. 7)	1
9	68017	SPACER 1-1/4"OD X 1"ID X 5/32"THK. (RIGID HEAD ASSEMBLY ONLY)	1
10	86319	SPACER, HUB BEARING 1-1/4"OD x 1"ID x 1/2"L	1
11	50020	NUT, HEX JAM 1-14 ZINC GRADE 8	2
12	86323	WASHER, NORD-LOCK 1" (PAIR)	1

ILLUSTRATION 6: RIGID HEAD ASSEMBLY (STANDARD)


ITEM #	PART #	DESCRIPTION	QTY.
1	86333LB	HEAD ASSY. LESS BRG., RIGID (INCLUDES ITEMS 2-11)	1
2	86334	FLANGE W/ SHAFT, RIGID HEAD	1
3	10808	FITTING, GREASE 1/4-28 STRAIGHT	1
4	68017	SPACER 1-1/4"OD X 1"ID X 5/32"THK.	1
5	86132S	SPACER, RIGID HEAD, STEEL	1
6	86133	MOUNTING DISC, RIGID HEAD	1
7	40329	BUSHING, RUBBER 1"OD X 3/8"ID X 3/8	6
8	86111	SCREW, SKT. HD. CAP 7/16-20 X 2 (Grade 8)	6
9	86112	SPACER, STL 5/8"OD X 7/16ID X 1/4TK	3
10	11641	NUT, HEX JAM 7/16-20 ZINC (USE RED LOCTITE)	3
11	10481	NUT, HEX 7/16-20 ZINC (USE RED LOCTITE)	3

ILLUSTRATION 7: FLEX HEAD ASSEMBLY (OPTIONAL)


ITEM #	PART #	DESCRIPTION	QTY.
1	86326LB	HEAD ASSY. LESS BRG., RIGID (INCLUDES ITEMS 2-11)	1
2	86308	FLANGE W/ SHAFT, FLEX HEAD	1
3	10808	FITTING, GREASE 1/4-28 STRAIGHT	1
4	86017	COUPLING, MORFLEX 402 CENTER	1
5	86309	MOUNTING DISC, FLEXIBLE HEAD	1
6	86343	BUSHING, RUBBER 1-1/4 X 3/4 X 3/8	4
7	10030	SCREW, CAP 3/8-24 X 2 (USE RED LOCTITE)	2
8	10336	SCREW, CAP 3/8-24 X 2-1/4	2
9	10811	WASHER, LOCK 3/8 ZINC	2
10	10025	WASHER, FLAT 3/8 SAE ZINC	2
11	10004	NUT, HEX LOCK 3/8-24 ZINC	3



A Division of Equipment Development Company, Inc.

100 Thomas Johnson Drive, Frederick, MD 21702-4600 USA

Phone (301) 663-1600 • 1-800-638-3326

Fax (301) 663-1607 • 1-800-447-3326

Website: www.edcoinc.com

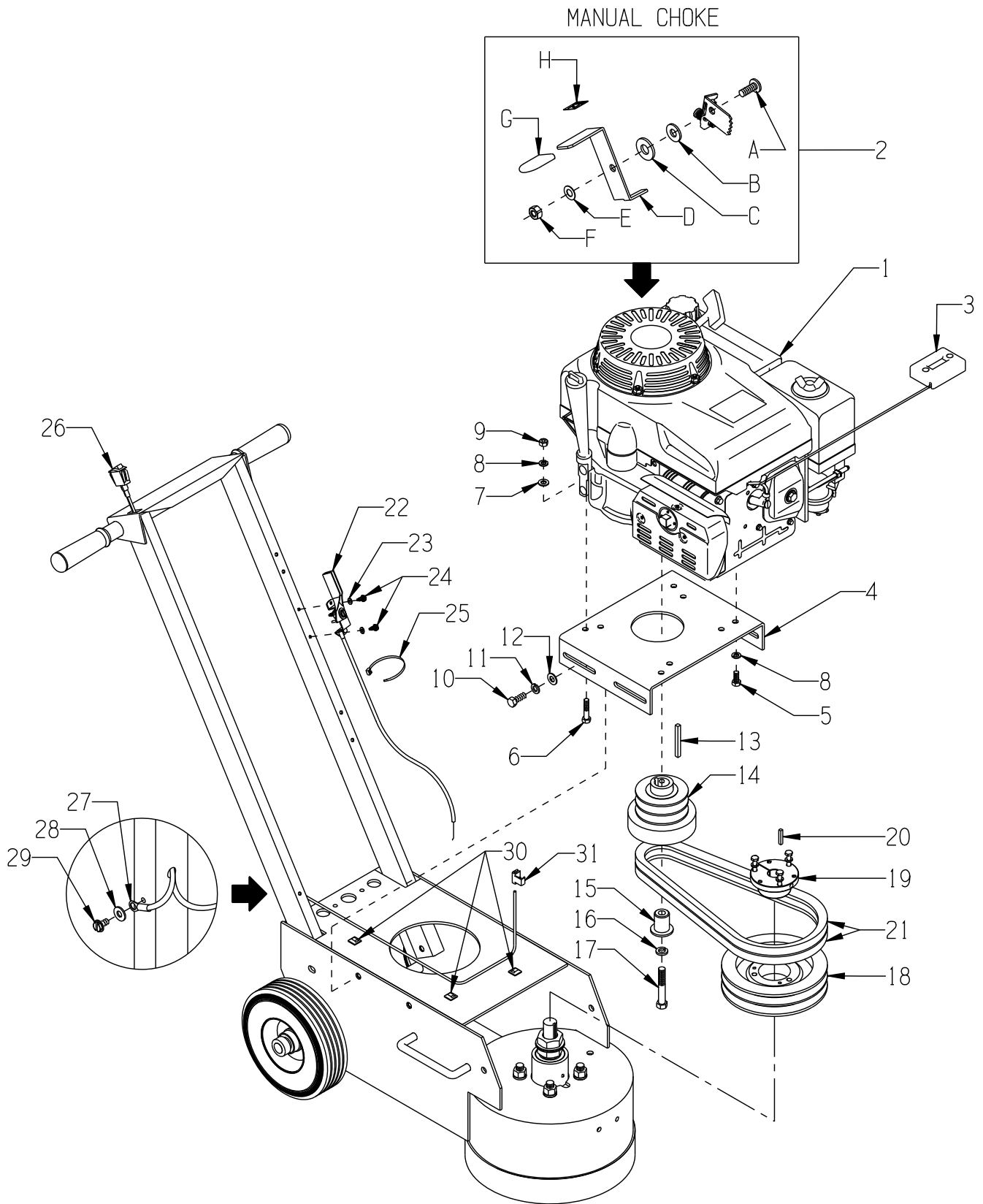
Email: sales@edcoinc.com

Printed in USA

JWA ©2014

Page 11

ILLUSTRATION 8: GASOLINE ENGINE & BELT DRIVE GROUPING



PARTS LISTING - ILLUSTRATION 8: GASOLINE ENGINE & BELT DRIVE GROUPING

ITEM #	PART #	DESCRIPTION	QTY.
1	76004	ENGINE, HONDA MODEL GXV340UT2-DX3	1
2	15190	MANUAL CHOKE KIT FOR HONDA GXV340	1
2-A	15185	SCREW, MACHINE M6 X 16MM PHILLIP HD	1
2-B	15188	WASHER .265"ID,.50"OD,.029-.035"THK	1
2-C	15187	WASHER, FIBER .75 X .25 X .093	1
2-D	15183	LEVER, CHOKE CONTROL, GXV340	1
2-E	15186	WASHER, BELLEVILLE .500 X.255 X.018	1
2-F	28026	NUT, HEX NYLON LOCK M6 X 1MM	1
2-G	15184	CAP, FLAT RED .062 X .75 X 1	1
2-H	91301	DECAL, CHOKE 5/8 X 5/8	1
3	15138	HOUR METER, INDUCTIVE (OPTIONAL)	1
4	86311	MOUNT, ENGINE	1
5	10048	SCREW, CAP 5/16-24 X 3/4	2
6	10342	SCREW, CAP 5/16-18 X 1-1/2	2
7	10213	WASHER, FLAT 5/16 SAE ZINC	2
8	10801	WASHER, LOCK 5/16 ZINC	4
9	10054	NUT, HEX 5/16-18 ZINC	2
10	10055	SCREW, CAP 3/8-16 X 1	4
11	10811	WASHER, LOCK 3/8 ZINC	4
12	10025	WASHER, FLAT 3/8 SAE ZINC	4
13	10071	KEY 1/4SQ X 2-1/2	1
14	76024	CLUTCH, CENTRIFUGAL 3.5 X 2GR X 1	1
15	86706	CLUTCH PLUG, TG-10	1
16	10045	WASHER, LOCK 1/2 ZINC	1
17	11750	SCREW, CAP 7/16-20 X 2-3/4 ZINC	1
18	75010	SHEAVE 6.9"OD X 2GR.B X SDS	1
19	10081M	BUSHING, SHEAVE SDS X 7/8 MODIFIED COUNTER BORED 1-3/4"DIA. X 3/8"DEEP	1
20	50523	KEY 3/16SQ X 1-1/8	1
21	10290	BELT B-35	2
22	40388	CABLE, THROTTLE, LEVER-TYPE 24"	1
23	10831	WASHER, LOCK, INT. TOOTH #10	2
24	10877	SCREW, CAP STSHW 10-24 X 1/2	2
25	10982	TIE, CABLE, BLACK NYLON 11-1/4"	1
26	15201A	SWITCH W/ WIRES, ROCKER RED ON-OFF	1
27	10877	SCREW, CAP STSHW 10-24 X 1/2	1
28	50084	TERM., RING #10 16-14GA. INSULATED	1
29	10831	WASHER, LOCK, INT. TOOTH #10	1
30	36042	CLIP, NATURAL CORD, 1/8" X 1/4"	3
31	10970	CONN., WIRE QUICK-SPLICE 18-14 GA.	1



A Division of Equipment Development Company, Inc.

100 Thomas Johnson Drive, Frederick, MD 21702-4600 USA

Phone (301) 663-1600 • 1-800-638-3326

Fax (301) 663-1607 • 1-800-447-3326

Website: www.edcoinc.com

Email: sales@edcoinc.com

Printed in USA

JWA ©2014

Page 13

PARTS LISTING - ILLUSTRATION 9 : PROPANE ENGINE & BELT DRIVE GROUPING

ITEM #	PART #	DESCRIPTION	QTY.
1	15083	ENGINE, KAWASAKI FH381V PROP. READY 13HP INCLUDES: 110V STARTER, OIL PRESSURE SWITCH, OIL DRAIN, CATALYTIC MUFFLER AND EXHAUST MANIFOLD LP FUEL SYSTEM: REGULATOR, VACUUM LOCKOFF, HIGH & LOW PRESSURE HOSES, & REGO TANK CONNECTOR.	1
2	86372	HEAT SHIELD, MUFFLER, KAW. FH381V	1
3	10053	SCREW, CAP 5/16-18 X 3/4	2
4	10801	WASHER, LOCK 5/16 ZINC	2
5	86373	HEAT SHIELD, SIDE MANIFOLD, KAW. FH381V	1
6	86374	CLAMP, EXHAUST 5/16 X 1-1/4	2
7	86311	MOUNT, ENGINE/MOTOR	1
8	10342	SCREW, CAP 5/16-18 X 1-1/2	4
9	10213	WASHER, FLAT 5/16 SAE ZINC	4
10	10801	WASHER, LOCK 5/16 ZINC	4
11	10054	NUT, HEX 5/16-18 ZINC	4
12	10055	SCREW, CAP 3/8-16 X 1	4
13	10811	WASHER, LOCK 3/8 ZINC	4
14	10025	WASHER, FLAT 3/8 SAE ZINC	4
15	3611	CABLE, THROTTLE, LEVER-TYPE 54"	1
16	10877	SCREW, CAP STSHW 10-24 X 1/2	4
17	10831	WASHER, LOCK, INT. TOOTH #10	4
18	10941	CLIP, CONDUIT, THROTTLE CABLE	2
19	15201A	SWITCH W/ WIRES, ROCKER RED ON-OFF ADDITIONAL PARTS REQ'D. (NOT SHOWN):	1
	50084	TERM., RING #10 16-14GA. INSULATED	1
	10831	WASHER, LOCK, INT. TOOTH #10	1
	10877	SCREW, CAP STSHW 10-24 X 1/2	1
	11567	CONNECTOR, BULLET STD. 16-14GA. BLUE	1
	36042	CLIP, NATURAL CORD, 1/8" X 1/4"	3
20	11739	SCREW, MACHINE 10-24 X 2.25 HWHSLMS	2
21	10850	WASHER, FLAT #10 SAE ZINC	2
22	11740	NUT, KEPS LOCK 10-24 ZINC	2
23	10982	TIE, CABLE, BLACK NYLON 11-1/4"	2
24	10071	KEY 1/4SQ X 2-1/2	1
25	76024	CLUTCH, CENTRIFUGAL 3.5 X 2GR X 1	1
26	86706	CLUTCH PLUG, TG-10	1
27	10045	WASHER, LOCK 1/2 ZINC	1
28	11750	SCREW, CAP 7/16-20 X 2-3/4 ZINC	1
29	75010	SHEAVE 6.9"OD X 2GR.B X SDS	1
30	10081M	BUSHING, SHEAVE SDS X 7/8 MODIFIED COUNTER BORED 1-3/4"DIA. X 3/8"DEEP	1
31	50523	KEY 3/16SQ X 1-1/8	1
32	10290	BELT B-35	2



A Division of Equipment Development Company, Inc.

100 Thomas Johnson Drive, Frederick, MD 21702-4600 USA

Phone (301) 663-1600 • 1-800-638-3326

Fax (301) 663-1607 • 1-800-447-3326

Website: www.edcoinc.com

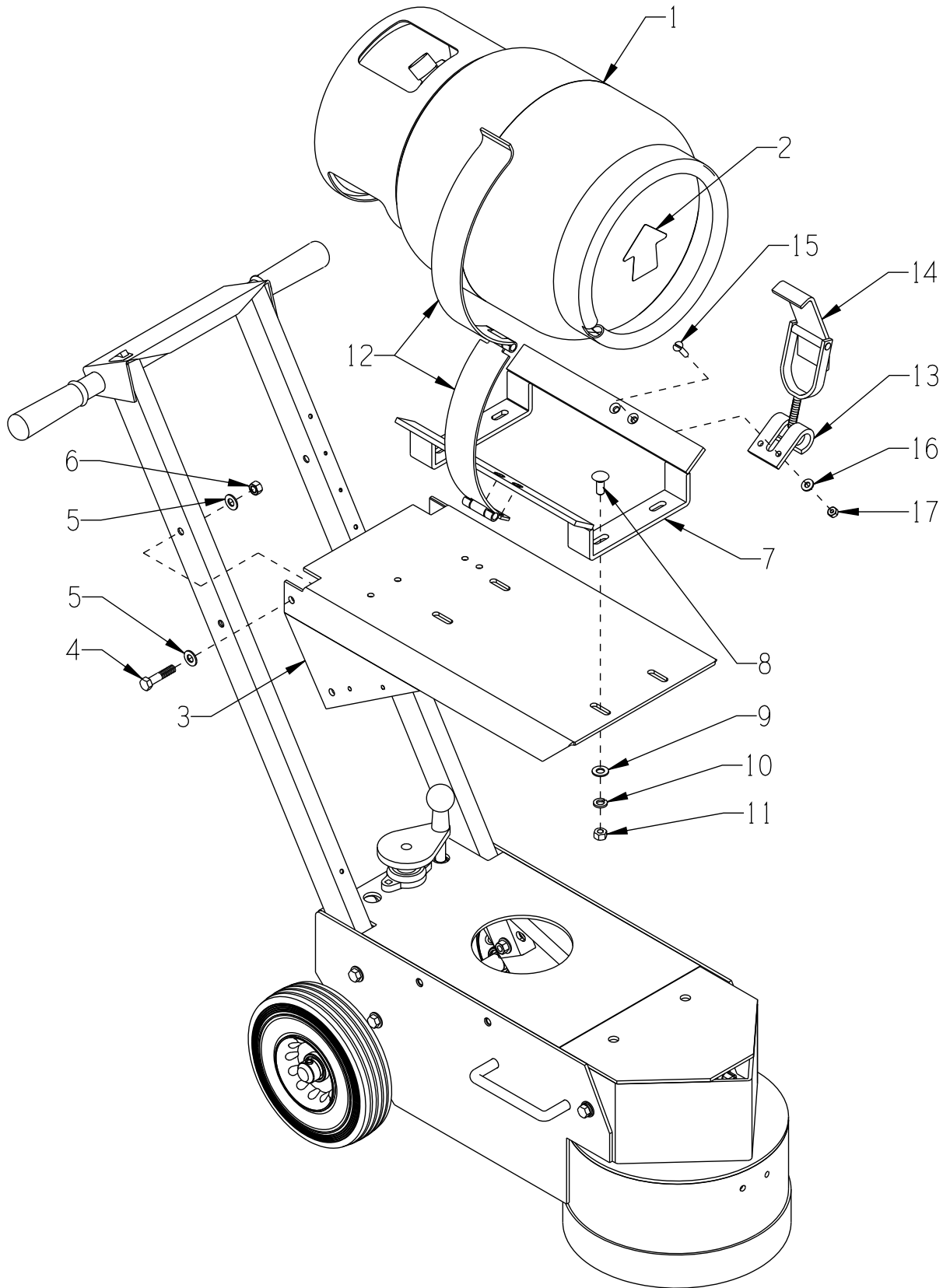
Email: sales@edcoinc.com

Printed in USA

JWA ©2014

Page 15

ILLUSTRATION 10: PROPANE TANK GROUPING



PARTS LISTING			
ILLUSTRATION 10: PROPANE TANK GROUPING			
ITEM #	PART #	DESCRIPTION	QTY.
1	15130	PROPANE TANK 20LB. HORZ./VERT.	1
2	91122	DECAL, ARROW, RED, 3 X 3	1
3	86327	MOUNT, PROPANE TANK, TG-10	1
4	10029	SCREW, CAP 3/8-24 X 1-3/4	4
5	10025	WASHER, FLAT 3/8 SAE ZINC	8
6	10004	NUT, HEX LOCK 3/8-24 ZINC	4
7	77061-1	PROPANE TANK CRADLE BRACKET ONLY	1
8	10802	BOLT, CARRIAGE 3/8-16 X 1 ZINC	4
9	10025	WASHER, FLAT 3/8 SAE ZINC	4
10	10811	WASHER, LOCK 3/8 ZINC	4
11	10404	NUT, HEX 3/8-16 ZINC	4
12	77061-2	PROPANE TANK STRAP W/ HINGE	1
13	77061-3	PROPANE TANK CLAW BRACKET	1
14	77061-4	PROPANE TANK TOGGLE CLAMP	1
15	11661	SCREW, FLAT HD SLT 1/4-20 X 1	4
16	10602	WASHER, FLAT 1/4 SAE ZINC	4
17	10861	NUT, KEPS LOCK 1/4-20 ZINC	4



A Division of Equipment Development Company, Inc.

100 Thomas Johnson Drive, Frederick, MD 21702-4600 USA

Phone (301) 663-1600 • 1-800-638-3326

Fax (301) 663-1607 • 1-800-447-3326

Website: www.edcoinc.com

Email: sales@edcoinc.com

Printed in USA

JWA ©2014

Page 17

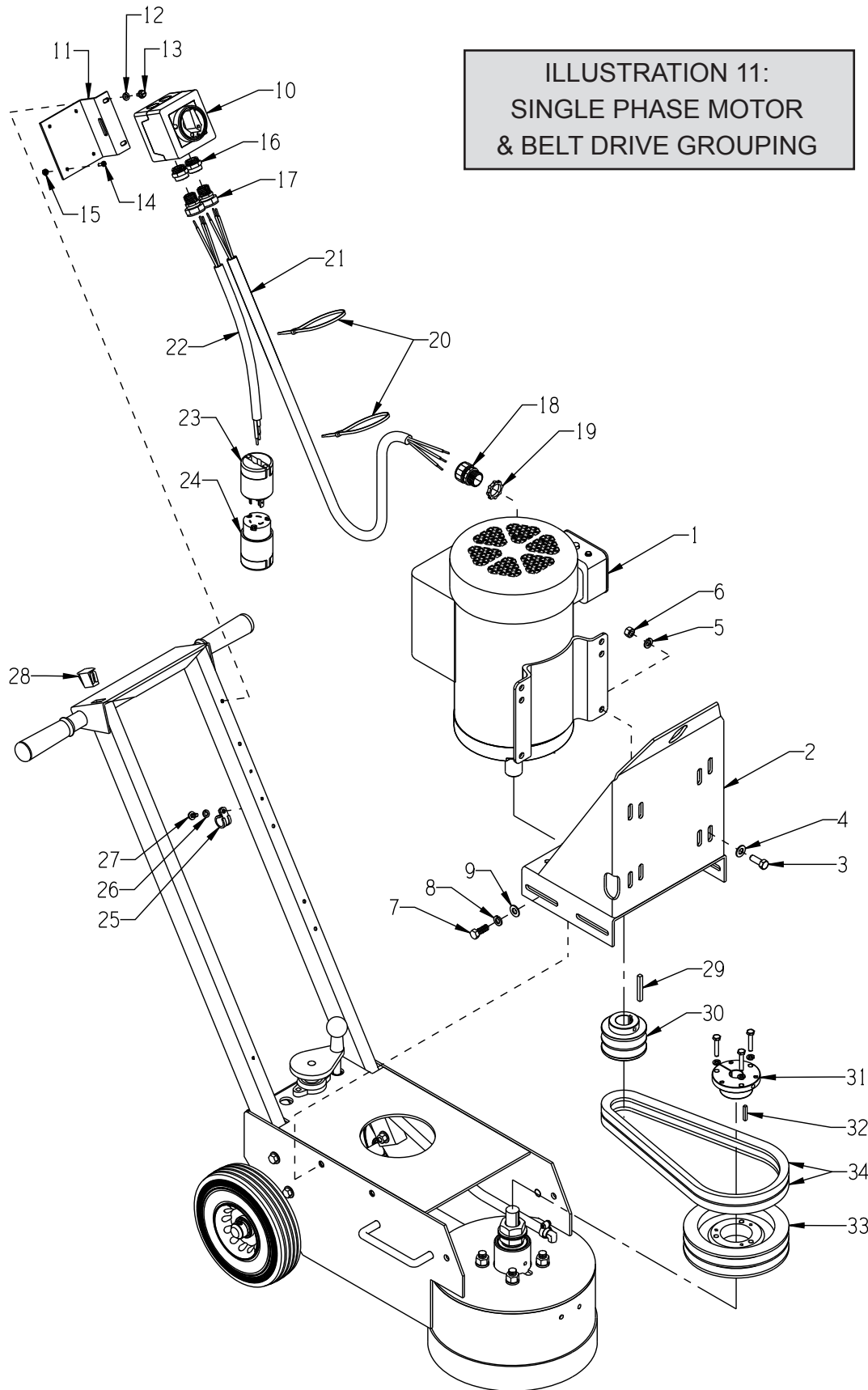


ILLUSTRATION 11:
SINGLE PHASE MOTOR
& BELT DRIVE GROUPING

PARTS LISTING - ILLUSTRATION 11: 1-PHASE MOTOR & BELT DRIVE GROUPING			
ITEM #	PART #	DESCRIPTION	QTY.
1	81026	MOTOR, BALDOR 5HP-1PH 60HZ 3450RPM	1
	16121	REPLACEMENT PARTS: CAPACITOR, START, BALDOR EC1161C06SP	2
	16164	CAPACITOR, RUN, BALDOR #OC3040F09SP	1
	16540	THERMAL PROT. (RESET BUTTON) TPBRT25DB	1
2	86404	MOUNT, MOTOR	1
3	10021	SCREW, CAP 3/8-24 X 1	4
4	10025	WASHER, FLAT 3/8 SAE ZINC	4
5	10811	WASHER, LOCK 3/8 ZINC	4
6	10014	NUT, HEX 3/8-24 ZINC	4
7	10055	SCREW, CAP 3/8-16 X 1	4
8	10811	WASHER, LOCK 3/8 ZINC	4
9	10025	WASHER, FLAT 3/8 SAE ZINC	4
10	77043	SWITCH, ROTARY CAM ON/OFF	1
11	77042	BRACKET, ROTARY CAM SWITCH	1
12	10846	SCREW, CAP STSHW 1/4-20 X 1/2	2
13	10038	WASHER, LOCK 1/4 ZINC	2
14	11663	SCREW, MACHINE 8-32 X 1/2 (LOCATED INSIDE OF SWITCH BOX)	4
15	10462	NUT, KEPS LOCK 8-32 ZINC	4
16	77043-1	SWITCH ADAPTER, PG16 TO 1/2"NPT	2
17	41130	STRAIN RELIEF 1/2NPT X .550-.650"	2
18	10959	STRAIN RELIEF 3/4 NPT X .550-.650"	1
19	10740	CONDUIT LOCK NUT 3/4 NP (LOCATED INSIDE JUNCTION BOX)	1
20	10982	TIE, CABLE, BLACK NYLON 11-1/4"	2
21	86331	WIRE HARNESS 10/3 X 50"LOA, TG-10	1
22	86026	WIRE HARNESS 10/3 X 24"LOA	1
23	40037	PLUG, LOCKING 20A/250V L6-20P	1
24	40000	CONNECTOR, LOCKING 20A/250V L6-20C	1
25	11565	CLAMP, LOOM, 5/8" (SAE SIZE 10)	1
26	10831	WASHER, LOCK, INT. TOOTH #10	1
27	10877	SCREW, CAP STSHW 10-24 X 1/2	1
28	15204	PLUG, RECT. HOLE, PLASTIC SNAP-IN	1
29	----	KEY 1/4SQ X 1-3/4 (COMES WITH MOTOR)	1
30	79023	SHEAVE 3"OD X 2GR.B X 1-1/8"BORE	1
31	10081M	BUSHING, SHEAVE SDS X 7/8 MODIFIED COUNTER BORED 1-3/4"DIA. X 3/8"DEEP	1
32	50523	KEY 3/16SQ X 1-1/8	1
33	75010	SHEAVE 6.9"OD X 2GR.B X SDS	1
34	10290	BELT B-35	1



A Division of Equipment Development Company, Inc.

100 Thomas Johnson Drive, Frederick, MD 21702-4600 USA

Phone (301) 663-1600 • 1-800-638-3326

Fax (301) 663-1607 • 1-800-447-3326

Website: www.edcoinc.com

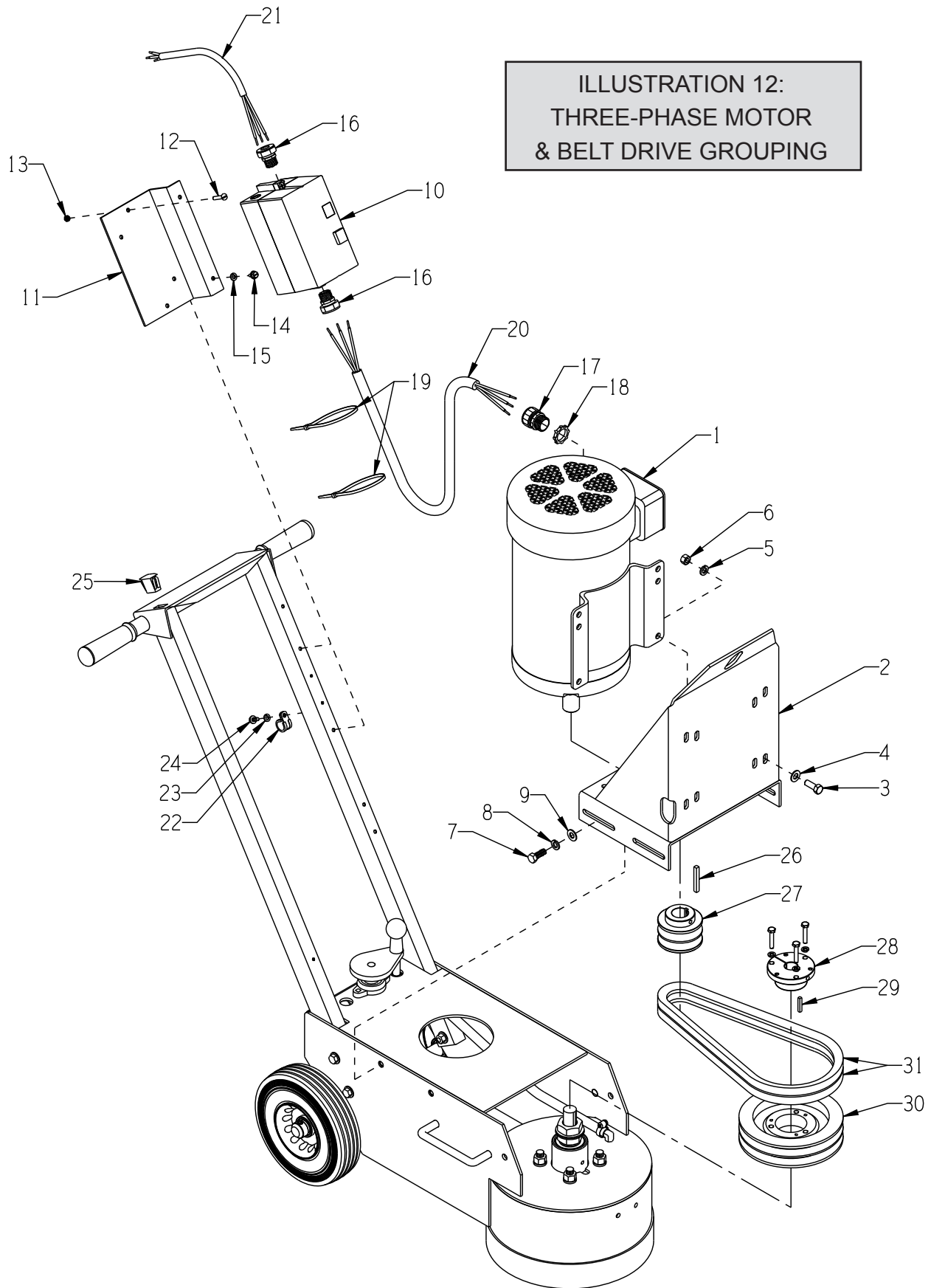
Email: sales@edcoinc.com

Printed in USA

JWA ©2014

Page 19

**ILLUSTRATION 12:
THREE-PHASE MOTOR
& BELT DRIVE GROUPING**



PARTS LISTING - ILLUSTRATION 12: THREE-PHASE MOTOR & BELT DRIVE GROUPING			
ITEM #	PART #	DESCRIPTION	QTY.
1	81022	MOTOR, BALDOR 5HP-3PH 60HZ 3450RPM CAT. NO. EM3613T	1
	16020	MOTOR, BALDOR 5HP-3PH 50HZ 2860RPM CAT. NO. M3613T-57	1
2	86404	MOUNT, MOTOR	1
3	10021	SCREW, CAP 3/8-24 X 1	4
4	10025	WASHER, FLAT 3/8 SAE ZINC	4
5	10811	WASHER, LOCK 3/8 ZINC	4
6	10014	NUT, HEX 3/8-24 ZINC	4
7	10055	SCREW, CAP 3/8-16 X 1	4
8	10811	WASHER, LOCK 3/8 ZINC	4
9	10025	WASHER, FLAT 3/8 SAE ZINC	4
10	16405	STARTER ACI #128841 START-STOP 200/240V COIL 11.3-16A O/L	1
	16406	STARTER ACI #128847 START-STOP 440/480V COIL 5.5-7.5A O/L	1
	16482	STARTER ACI #128848 S-S 440/480V COIL 7.2-10A O/L(USED FOR 50Hz-380V)	1
		REPLACEMENT PARTS:	
	16617	STARTER CONT./COIL ACI SK18.310-230	1
	16618	STARTER CONT./COIL ACI SK18.310-460	1
	16622	STARTER AC COIL 200/240V-60HZ, 190/220-50HZ	1
	16623	STARTER AC COIL 440/480V-60HZ, 380/415-50HZ	1
	16632	STARTER OVERLOAD RELAY 5.5-7.5 AMP	1
16633	STARTER OVERLOAD RELAY 7.2-10.0 AMP	1	
16635	STARTER OVERLOAD RELAY 11.3-16.0 AMP	1	
11	86027	MOUNTING BRKT., STARTER	1
12	11732	SCREW, MACHINE 10-32 X 1-3/4 RPH	2
	10384	SCREW, MACHINE 10-32 X 1 RHP	1
13	10832	NUT, KEPS LOCK 10-32 ZINC	2
14	10846	SCREW, CAP STSHW 1/4-20 X 1/2	2
15	10038	WASHER, LOCK 1/4 ZINC	2
16	41053	STRAIN RELIEF 1/2NPT X .625-.750"	2
17	10605	STRAIN RELIEF 3/4NPT X .650-.750"	1
18	10740	CONDUIT LOCK NUT 3/4 NP (LOCATED INSIDE OF JUNCTION BOX)	1
19	10982	TIE, CABLE, BLACK NYLON 11-1/4"	2
20	86332	WIRE HARNESS 12/4 X 42"LOA, TG-10	1
21	86022	WIRE HARNESS 12/4 X 26"LOA	1
22	11565	CLAMP, LOOM, 5/8" (SAE SIZE 10)	1
23	10831	WASHER, LOCK, INT. TOOTH #10	1
24	10877	SCREW, CAP STSHW 10-24 X 1/2	1
25	15204	PLUG, RECT. HOLE, PLASTIC SNAP-IN	1
26	-----	KEY 1/4SQ X 1-3/4 (COMES WITH MOTOR)	1
27	79023	SHEAVE 3"OD X 2GR.B X 1-1/8"BORE	1
28	10081M	BUSHING, SHEAVE SDS X 7/8 MODIFIED (60Hz MOTOR ONLY) COUNTER BORED 1-3/4"DIA. X 3/8"DEEP	1
29	50523	KEY 3/16SQ X 1-1/8	1
30	75010	SHEAVE 6.9"OD X 2GR.B X SDS (60Hz MOTOR)	1
	86344	SHEAVE 4.55"OD X 2GR.B X 7/8"BORE (50Hz MOTOR)	1
31	10290	BELT B-35 (60Hz MOTOR)	2
	10035	BELT 5L-330 (50Hz MOTOR)	2



A Division of Equipment Development Company, Inc.

100 Thomas Johnson Drive, Frederick, MD 21702-4600 USA

Phone (301) 663-1600 • 1-800-638-3326

Fax (301) 663-1607 • 1-800-447-3326

Website: www.edcoinc.com

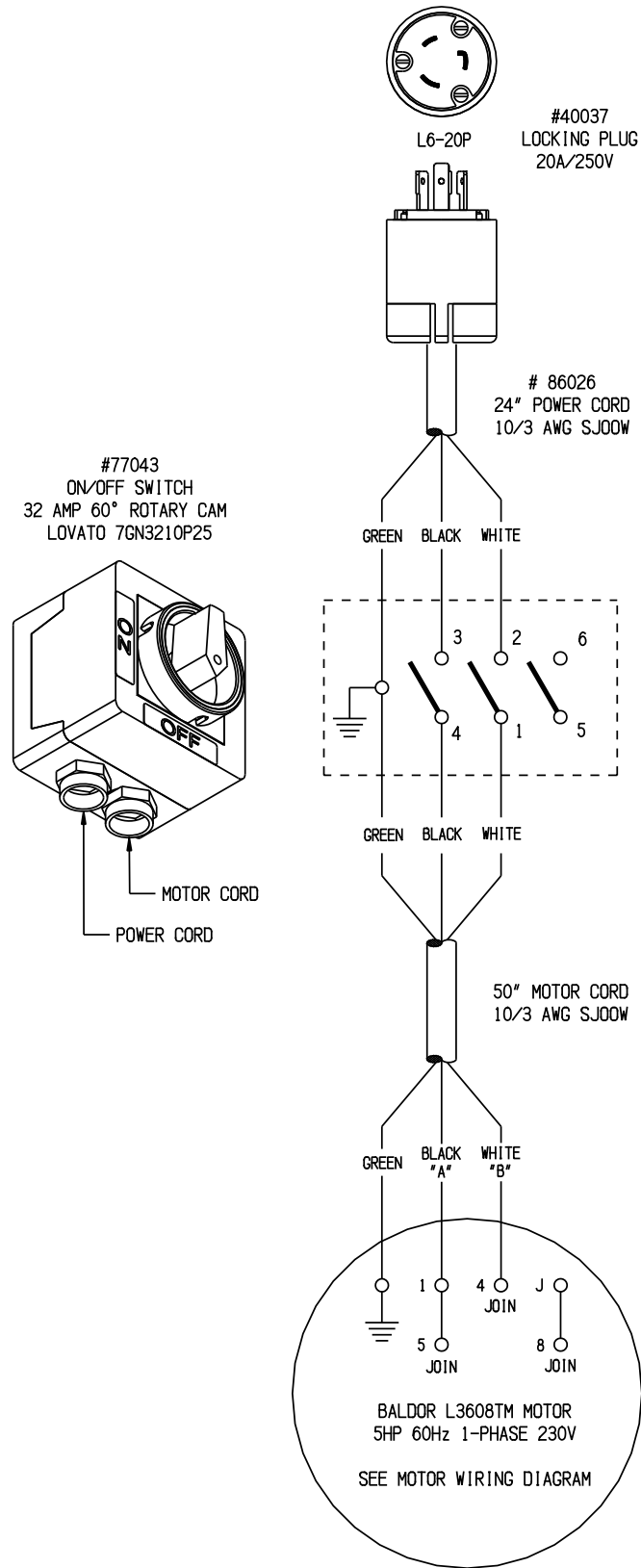
Email: sales@edcoinc.com

Printed in USA

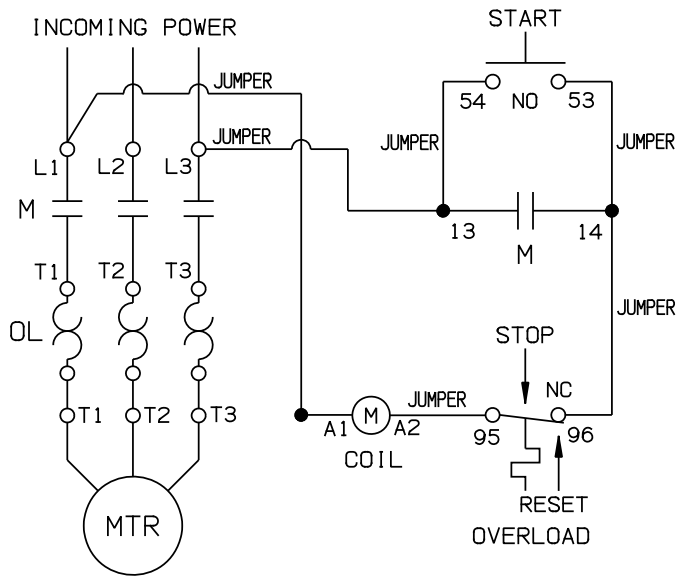
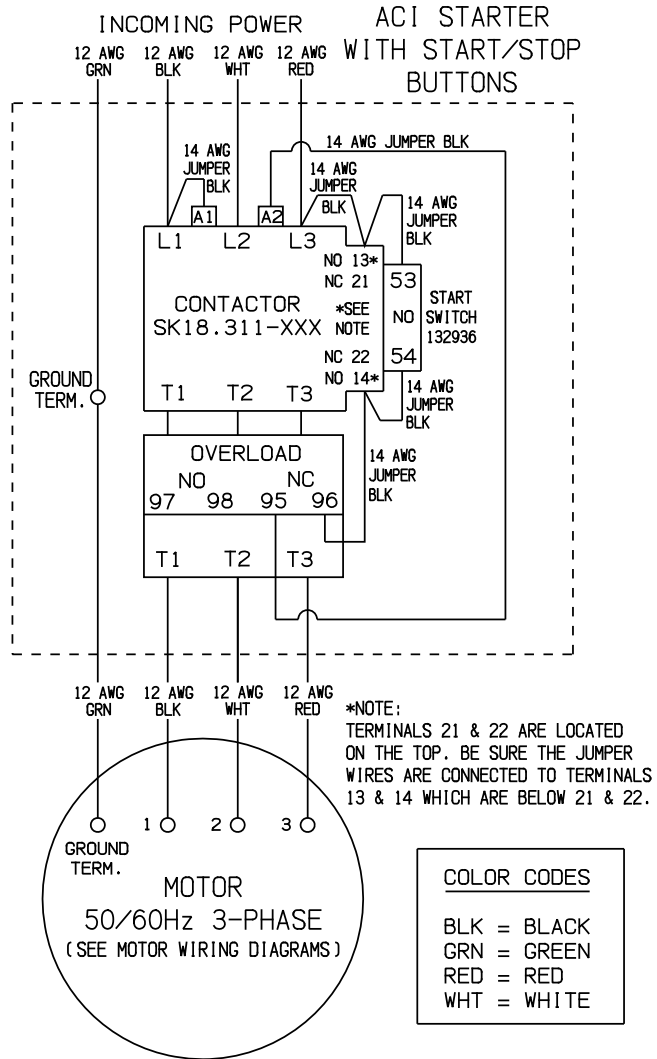
JWA ©2014

Page 21

WIRING DIAGRAM FOR ROTARY CAM SWITCH (SINGLE PHASE)



WIRING DIAGRAM FOR STARTER (THREE PHASE)



WIRING DIAGRAM FOR 1 PHASE MOTOR BALDOR L3608TM

USE CONNECTIONS FOR OPPOSITE (OPP) ROTATION SHOWN BELOW IN CHART

CD0002A02

	LINE A	LINE B	JOIN
STD	1,8	4	J,5
OPP	1,5	4	J,8

NOTES:

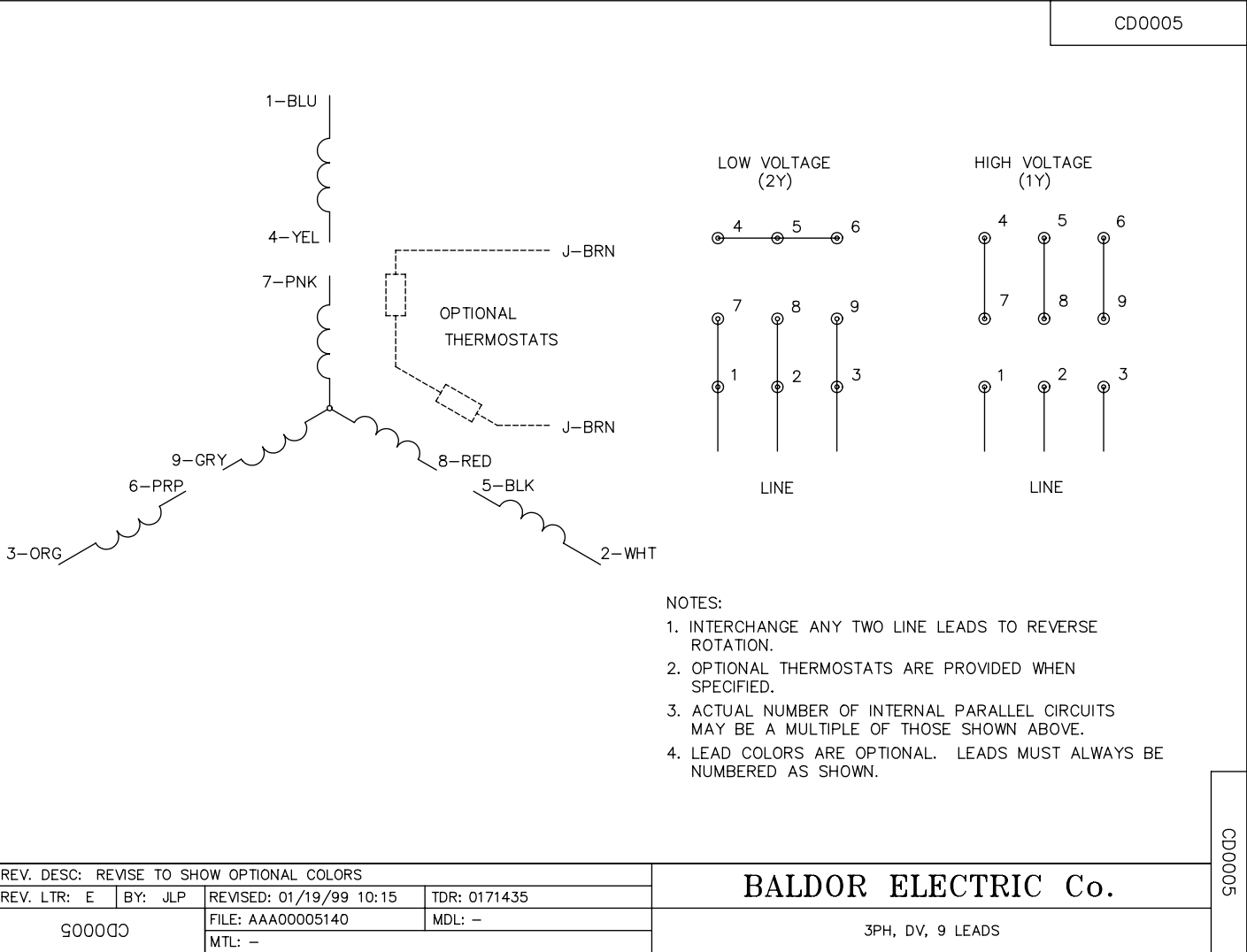
- STANDARD ROTATION IS CCW FACING END OPPOSITE SHAFT EXTENSION.
- MULTIPLE CAPACITORS ARE CONNECTED IN PARALLEL UNLESS OTHERWISE SPECIFIED.
- LEAD COLORS ARE OPTIONAL. LEADS MUST ALWAYS BE NUMBERED AS SHOWN.

CD0002A02

REV. DESC: REMOVE 2-TERMINAL THERMAL DETAIL, SEE CD0002A04			BALDOR ELECTRIC Co.
REV. LTR: D	VERSION: 01	TDR: 000000360649	
Z0VZ000D0	FILE: \AAA\00007\520	REVISED: 17:11:40 04/15/2005	TYPE LC, SV, REV, THERMAL, 5 LEADS
	MTL: -	BY: ENJOEPO	

WIRING DIAGRAM FOR 3 PHASE 60Hz MOTOR BALDOR EM3613T

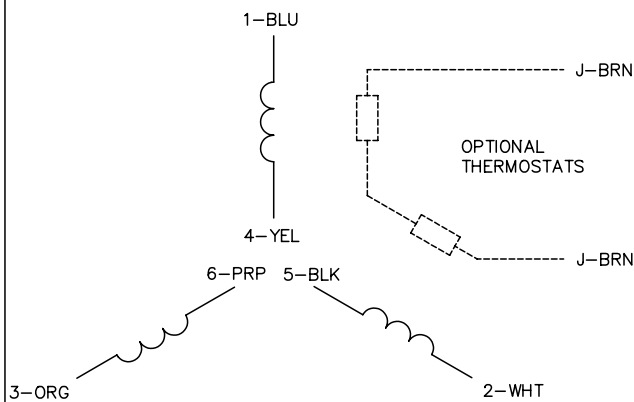
CD0005



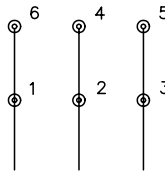
100 Thomas Johnson Drive, Frederick, MD 21702-4600 USA
 Phone (301) 663-1600 • 1-800-638-3326
 Fax (301) 663-1607 • 1-800-447-3326
 Website: www.edcoinc.com
 Email: sales@edcoinc.com

WIRING DIAGRAM FOR 3 PHASE 50Hz MOTOR BALDOR M3613T-57

CD0022

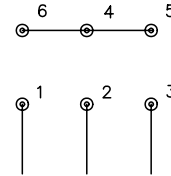


LOW VOLTAGE
(1D)



LINE

HIGH VOLTAGE
(1Y)



LINE

NOTES:

1. INTERCHANGE ANY TWO LINE LEADS TO REVERSE ROTATION.
2. OPTIONAL THERMOSTATS ARE PROVIDED WHEN SPECIFIED.
3. ACTUAL NUMBER OF INTERNAL PARALLEL CIRCUITS MAY BE A MULTIPLE OF THOSE SHOWN ABOVE.
4. LEAD COLORS ARE OPTIONAL. LEADS MUST ALWAYS BE NUMBERED AS SHOWN.

CD0022

REV. DESC: REVISE TO SHOW OPTIONAL COLORS			
REV. LTR: F	BY: JLP	REVISED: 01/21/99 3:54	TDR: 0171435
CD0022		FILE: AAA00005144	MDL: -
		MTL: -	

BALDOR ELECTRIC Co.

3PH, DV, 6 LEADS, DELTA/WYE CONNECTION



LIMITED EQUIPMENT WARRANTY OF SALE – TERMS & CONDITIONS

Equipment Development Company, Inc. herein referred to as EDCO (Seller) warrants that each new unit manufactured by EDCO to be free from defects in material and workmanship in normal use and service for a period of (1) one year (except for the cutter drum assembly on all model concrete/asphalt planes, in which case the warranty period shall be 90 days) from date of shipment to the original retail or equipment rental center owner.

Accessories or equipment furnished and installed on the product by EDCO but manufactured by others, including, but not limited to engines, motors, electrical components, transmissions etc., shall carry the accessory manufacturers own warranty.

EDCO will, at its option, repair or replace, at the EDCO factory or at a point designated by EDCO, any part which shall appear to the satisfaction of EDCO inspection to have been defective in material or workmanship.

EDCO reserves the right to modify, alter and improve any part or parts without incurring any obligation to replace any part or parts previously sold without such modified, altered or improved part or parts.

This warranty is in lieu of and excludes all other warranties, expressed, implied, statutory, or otherwise created under applicable law including, but not limited to the warranty of merchantability and the warranty of fitness for a particular purpose in no event shall seller or the manufacturer of the product be liable for special, incidental, or consequential damages, including loss of profits, whether or not caused by or resulting from the negligence of seller and/or the manufacturer of the product unless specifically provided herein. In addition, this warranty shall not apply to any products or portions thereof which have been subjected to abuse, misuse, improper installation, maintenance, or operation, electrical failure or abnormal conditions and to products which have been tampered with, altered, modified, repaired, reworked by anyone not approved by seller or used in any manner inconsistent with the provisions of the above or any instructions or specifications provided with or for the product

FORCE MAJEURE

Seller's obligation hereunder are subject to, and Seller shall not be held responsible for, any delay or failure to make delivery of all or any part of the Product due to labor difficulties, fires, casualties, accidents, acts of the elements, acts of God, transportation difficulties, delays by a common carrier, inability to obtain Product, materials or components or qualified labor sufficient to timely perform part of or all of the obligations contained in these terms and conditions, governmental regulations or actions, strikes, damage to or destruction in whole or part of manufacturing plant, riots, terrorist attacks or incidents, civil commotions, warlike conditions, flood, tidal waves, typhoon, hurricane, earthquake, lightning, explosion or any other causes, contingencies or circumstances within or without the United States not subject to the Seller's control which prevent or hinder the manufacture or delivery of the Products or make the fulfillment of these terms and conditions impracticable. In the event of the occurrence of any of the foregoing, at the option of Seller, Seller shall be excused from the performance under these Terms and Conditions, or the performance of the Seller shall be correspondingly extended.

This document sets forth the terms and conditions pursuant to which the purchaser ("Purchaser") will purchase and Equipment Development Co. Inc. ("Seller") will sell the products, accessories, attachments (collectively the Products) ordered by the Purchaser. These terms and conditions shall govern and apply to the sale of Seller's Products to Purchaser, regardless of any terms and conditions appearing on any purchase order or other forms submitted by Purchaser to Seller, or the inconsistency of any terms therein and herein.

1. PRICE

All prices set forth on any purchase order or other document are F.O.B. Seller's facility or distribution point, as may be determined by Seller (F.O.B. Point). All prices are exclusive of any and all taxes, including, but not limited to, excise, sales, use, property or transportation taxes related to the sale or use of the Products, now or hereafter imposed, together with all penalties and expenses. Purchaser shall be responsible for collecting and/or paying any and all such taxes, whether or not they are stated in any invoice for the Products. Unless otherwise specified herein, all prices are exclusive of inland transportation, freight, insurance and other costs and expenses relating to the shipment of the Products from the F.O.B. point to Purchaser's facility. Any prepayment by Seller of freight insurance and other costs shall be for the account of Purchaser and shall be repaid to Seller.

2. PAYMENT TERMS

Payment terms are as follows. 2% 10 days (to approved and qualified accounts). Net 30 days. This is a cash discount for invoices paid within 10 days after the invoice date, regardless of date of receipt of shipment. This is not a trade discount and will not be granted to accounts that do not adhere to stated terms.

*All past due accounts are subject to a late payment fee of 1.5% per month or a maximum allowed by law if different, along with the expenses incidental to collection including reasonable attorney's fees and costs.

*Seller reserves the right to hold shipments against past due accounts.

*Seller reserves the right to alter payment terms.

3. FREIGHT TERMS

All shipments will be made F.O.B. shipping point as designated in these Terms and Conditions, and title shall pass at the F.O.B. point. Delivery to the initial common carrier shall constitute delivery to the Purchaser. Any claims for loss or damage during shipment are to be filed with carrier by the Purchaser. Seller will not assume responsibility for the performance of the carrier.

Back orders will be shipped in the most practical fashion with charges consistent with our freight policy established with the original order. UPS, FED EX, MAIL or shipments by other couriers are subject to the same terms and conditions as outlined in paragraph #3 "Freight Terms".

4. DELIVERY, DAMAGES, SHORTAGES

Seller shall use reasonable efforts to attempt to cause the Products to be delivered as provided for in these Terms & Conditions. Delivery to the initial common carrier shall constitute the delivery to the Purchaser. Seller's responsibility, in so far as transportation risks are concerned ceases upon the delivery of the Products in good condition to such carrier at the F.O.B. point and all the Products shall be shipped at the Purchaser's risk. Seller shall not be responsible or liable for any loss of income and/or profits, or incidental, special, consequential damages resulting from Seller's delayed performance in shipment and delivery.

5. RETURN OF DEFECTIVE PRODUCTS

Defective or failed material shall be held at the Purchaser's premises until authorization has been granted by Seller to return or dispose of Products. Products that are to be returned for final inspection must be returned Freight Prepaid in the most economical way. Credit will be issued for material found to be defective upon Seller's inspection based on prices at time of purchase.

6. PRODUCTS ORDERED IN ERROR

Products may be returned, provided that claim is made and Seller is notified within 7 days of receipt of Products, and the Products are in original buyer's possession not more than 30 days prior to return, subject to Seller's approval. If Products are accepted for return, they must be Freight Prepaid and buyer will be charged a minimum of 15% restocking charge, plus a charge back for outbound freight charges if the original order was shipped prepaid. Returns are not accepted for any Products that are specifically manufactured to meet the buyer's requirement of either specifications or quantity.

AGREEMENTS

These Terms and Conditions constitute the entire agreement between Seller and Purchaser as it relates to terms and conditions of sale, and supersedes any and all prior oral or written agreements, correspondence, quotations or understandings heretofore in force between the parties relating to the subject matter hereof. There are no agreements between Seller and Purchaser with respect to the Product herein except those specifically set forth in and made part of these terms and conditions. Any additional terms, conditions and/or prices are rejected by Seller.

These terms and conditions may be modified, cancelled or rescinded only by a written agreement of both parties executed by their duly authorized agents.

USE ONLY GENUINE EDCO PARTS & ACCESSORIES
For your own safety, the safety of others and the life of your machine.

Equipment Development Company, Inc.