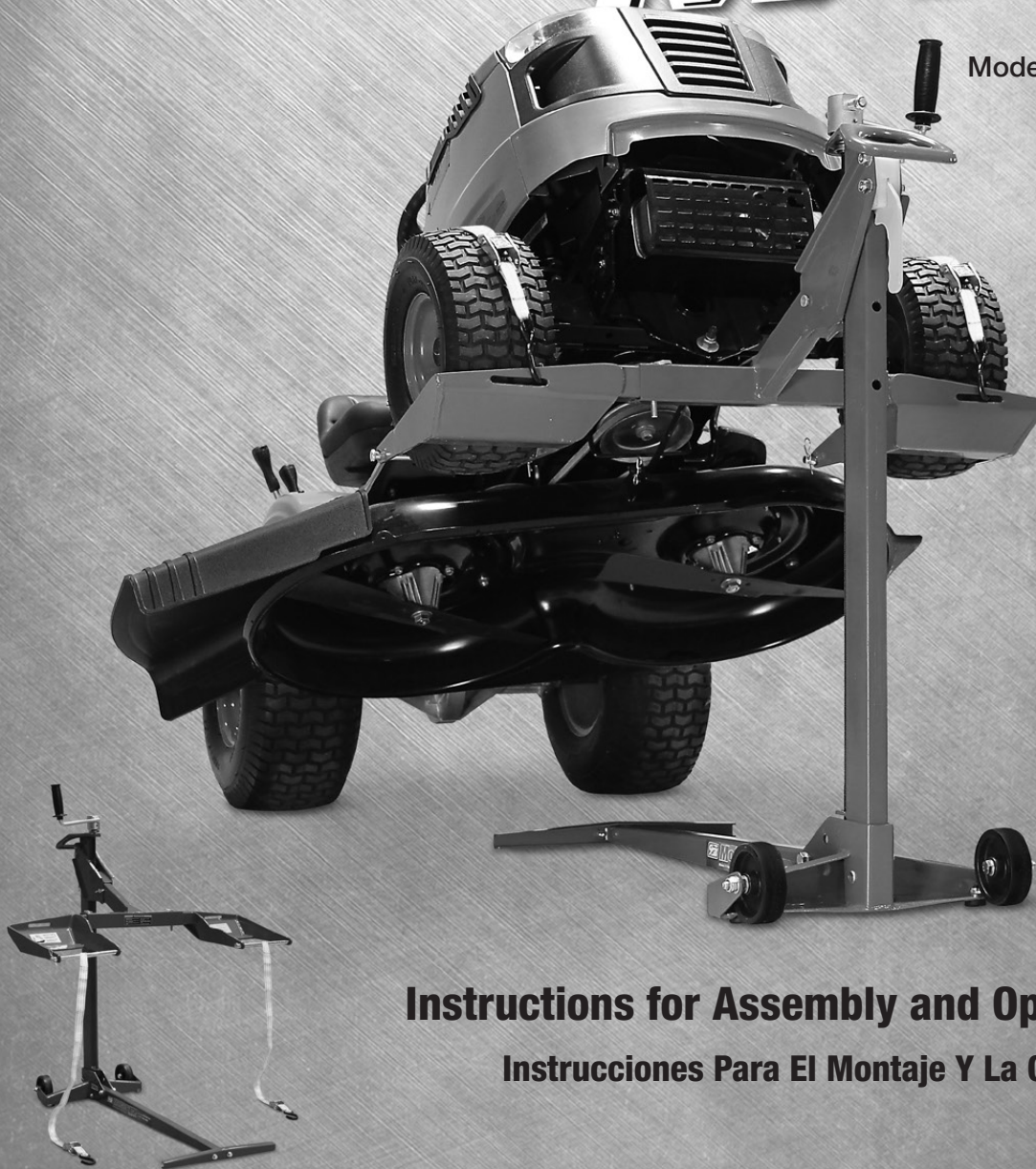


MoJack **MAX**™

Model 45001



Instructions for Assembly and Operation

Instrucciones Para El Montaje Y La Operación



Make it Happen. Make it MoJack.™

www.theMoJack.com

1-877-575-3173

Ver. 092718

Introduction



This manual contains assembly, parts, operating, maintenance, adjustment and safety instructions for your lift.

BEFORE USING YOUR LIFT, CAREFULLY READ THIS MANUAL IN ITS ENTIRETY.

By following these operating, maintenance and safety instructions, you will prolong the life of your lift and promote safe operation.

If additional information is needed, or should you require a trained service mechanic, contact your authorized MoJack equipment dealer or distributor or call MoJack at 1-877-575-3173.

All MoJack parts are thoroughly tested and inspected before leaving the factory to ensure that they comply with all relevant safety standards.

NOTE: Please save this manual for future reference.

MODEL / MODELO
Troy-Bilt TB500ML
MAX.LOAD / CARGA MÁX.
500 lbs / 226 kg
SERIAL No. / Nro. de serie
Patent #: U.S., 8,448,920 & U.S., 8,387,953
Manufacturer / Fabricante: MoJack
Address / Dirección:
3535 N. Rock Road, Wichita KS 67226 USA
Phone / Teléfono: 1-877-575-3171

NOTE: Location of unit Serial Number.

Need Assistance?

Please **DO NOT** return this product to the store.
Our Customer Service Department is ready to help!

1-877-575-3173




























Submit your questions online at:

www.theMoJack.com

Patent #: U.S., 8,448,920
Patent #: U.S., 8,387,953

© 2013 (MoJack Distributors, LLC)
MoJack and the MoJack logo are registered trademarks of MoJack Distributors, LLC.

Warnings and Safety Instructions

-  Read and understand all safety and operating instructions before using the mower lift.
-  Never allow anyone unfamiliar with the safety or operating instructions to use the lift.
-  Follow all safety and servicing instructions provided by the lawn mower's manufacturer before using the lift.
-  Do not modify the lift in any way. Any modifications will void any and all warranties and could compromise your personal safety.
-  When using the lift, keep ALL bystanders at a safe distance away from the mower lift.
-  The lift must be used on a solid level surface.
-  Only lift the FRONT end on the mower.
-  Do not lift the front end and back end of the mower at the same time.
-  Only use the lift for mowers that are less than 500lbs (226 kg) front end weight and properly fits in the provided wheel pads (ie. 10" to 17" diameter and within outside wheel measurements of 31.5" to 62.5").
-  Always stop engine and remove key before beginning any work on the mower.
-  Always place mower in neutral or disengage the hydraulic drive by following the mower owner's manual.
-  Never operate the engine while using the mower lift.
-  Do not exceed the lifting capacity of 500 lbs. (226 kg) front end weight. If you have a question regarding weight of your machine, please contact the manufacturer at 1-877-575-3173 or a local MoJack Dealer.
-  If the lift Tower is leaning while lifting or lowering the mower, this indicates an overload condition.
REMOVE THE MOWER IMMEDIATELY.
-  Tower must be secured in place with the Tower Clevis Pin before using the lift.
-  Carrier Locking Handle must be locked into Tower before starting any service on mower.
-  Do not remove safety warnings or decals from lift.
-  Before each use, always check for any worn, loose or damaged parts on the lift. If any damaged parts are present, do not use the lift and contact MoJack.
-  Do not climb on mower while it is lifted, being lifted or being lowered.
-  No one should be on the mower while it is lifted, being lifted or being lowered.
-  After the mower is raised to a working height, always place wheel chocks (not included) behind the back tires of the mower.
-  Wheel Pads must be equal distance from the Lift Arm to maintain proper balance.
-  Always secure front mower tires with enclosed safety straps.
-  Remove all mower attachments before using the lift. Remove all front mower attachments (ballast, bumper or brush guard) that interferes with handle before using the lift.
-  Some mowers which are equipped with a fuel tank vent may spill fuel when lifted. If this happens, run fuel level down in the tank to prevent spilling.
-  Always use proper personal protection equipment.
-  Failure to follow these warnings may result in property damage and serious bodily injury or death.

IMPORTANT: The mower lift is intended for use with mowers only. Do not exceed 500 lbs. (226 kg) front end weight. It should never be used to service other types of machinery unless there is an approved accessory fitted for the type of machinery. Please contact MoJack for approved accessories.

Warnings and Safety Decals



CAUTION: Avoid injury!

This symbol and text highlight potential hazards or death to the operator or bystanders that may occur if the hazards or procedures are ignored.

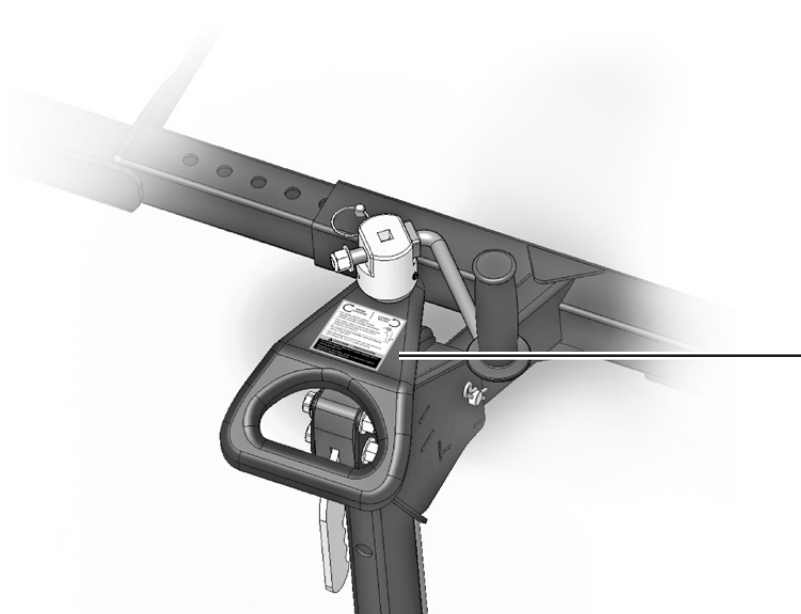
NOTE: There can be additional safety information contained on parts and components sourced from suppliers that is not reproduced in this instruction manual.



WARNING

To avoid injury:

- DO NOT EXCEED THE LIFTING CAPACITY OF 500 LBS (226kg).
- Turn OFF mower engine before beginning maintenance.
- Use ONLY for lifting the FRONT END of the mower.
- Use only on solid, level surface.
- Do NOT modify the lift in any way. Any modifications will void any and all warranties.
- Read operators manual.



CAUTION | PRECAUCIÓN

To avoid injury, remove Crank Handle when using power drill.

Para evitar lesiones, quite la manivela cuando utilice un taladro eléctrico.

Warranty and Returns

LIMITED WARRANTY

For two years for residential use and one year for commercial use MoJack warrants the product against failure due to defect in material or workmanship when product is used properly. MoJack will replace any defective part at no cost. This warranty does not cover any product that has been altered or adjusted, or any product that has been misused or abused. THIS IS THE CUSTOMER'S SOLE AND EXCLUSIVE REMEDY. MOJACK DISCLAIMS ALL IMPLIED WARRANTIES, INCLUDING THE WARRANTY OF MERCHANTABILITY AND FITNESS FOR A PARTICULAR PURPOSE. MOJACK SHALL NOT BE LIABLE FOR ANY INCIDENTAL OR CONSEQUENTIAL DAMAGES. SOME STATES OR PROVINCES DO NOT ALLOW THE EXCLUSION OR LIMITATION OF THE IMPLIED WARRANTIES OR THE REMEDIES FOR BREACH OF THE IMPLIED WARRANTIES, SO THESE EXCLUSIONS MAY NOT APPLY TO YOU. THIS LIMITED WARRANTY GIVES YOU SPECIFIC LEGAL RIGHTS, AND YOU MAY ALSO HAVE OTHER RIGHTS WHICH VARY FROM STATE TO STATE OR PROVINCE TO PROVINCE.

What does this warranty cover?

This warranty covers against a failure due to a defect in material or workmanship within two years of purchase for residential use and within one year of purchase for commercial use.

What does this warranty NOT cover?

This warranty does not cover any jack which has been altered or adjusted in any way from its original model. It will not cover any jack which has been damaged due to misuse, abuse, accident or negligence. This warranty does not cover incidental or consequential damages.

What is the period of coverage?

Two-year warranty for residential use, one-year for commercial use from date of purchase for the original owner.

What will MoJack do to correct problems?

We will replace any defective part (within the coverage period) at no charge.

How can I get service?

In order to be eligible for service under this warranty you MUST register your jack within thirty (30) days of purchasing. You must keep your receipt as proof of date of sale. You can register your new jack on our website at www.themojack.com or by calling our toll-free number 1-877-575-3173.

How do I contact MoJack about a warranty issue?

You can contact us from our website at www.themojack.com or by calling our toll-free number 1-877-575-3173.

Do I have other rights under State Law?

This warranty gives you specific legal rights, and you may also have other rights which vary from state to state.

What is the return policy?

Within thirty (30) days of the date that you receive your jack. Please contact MoJack for return policies and procedures at our toll-free number 1-877-575-3173 or by email at info@themojack.com.

How do I make a return?

Contact us within the return period. We will issue you a Return Merchandise Authorization (RMA) to place on the outside of the box. All merchandise must be shipped back in its original packaging. We will make arrangements for the jack to be picked up by a national carrier.

In what form will I receive my refund?

This is at our discretion. If receiving a refund, please allow four weeks for the credit to process to your account. Return service fees will be deducted from the amount of the refund.

Are shipping charges refundable?

No.

Does MoJack have a return service fee policy?

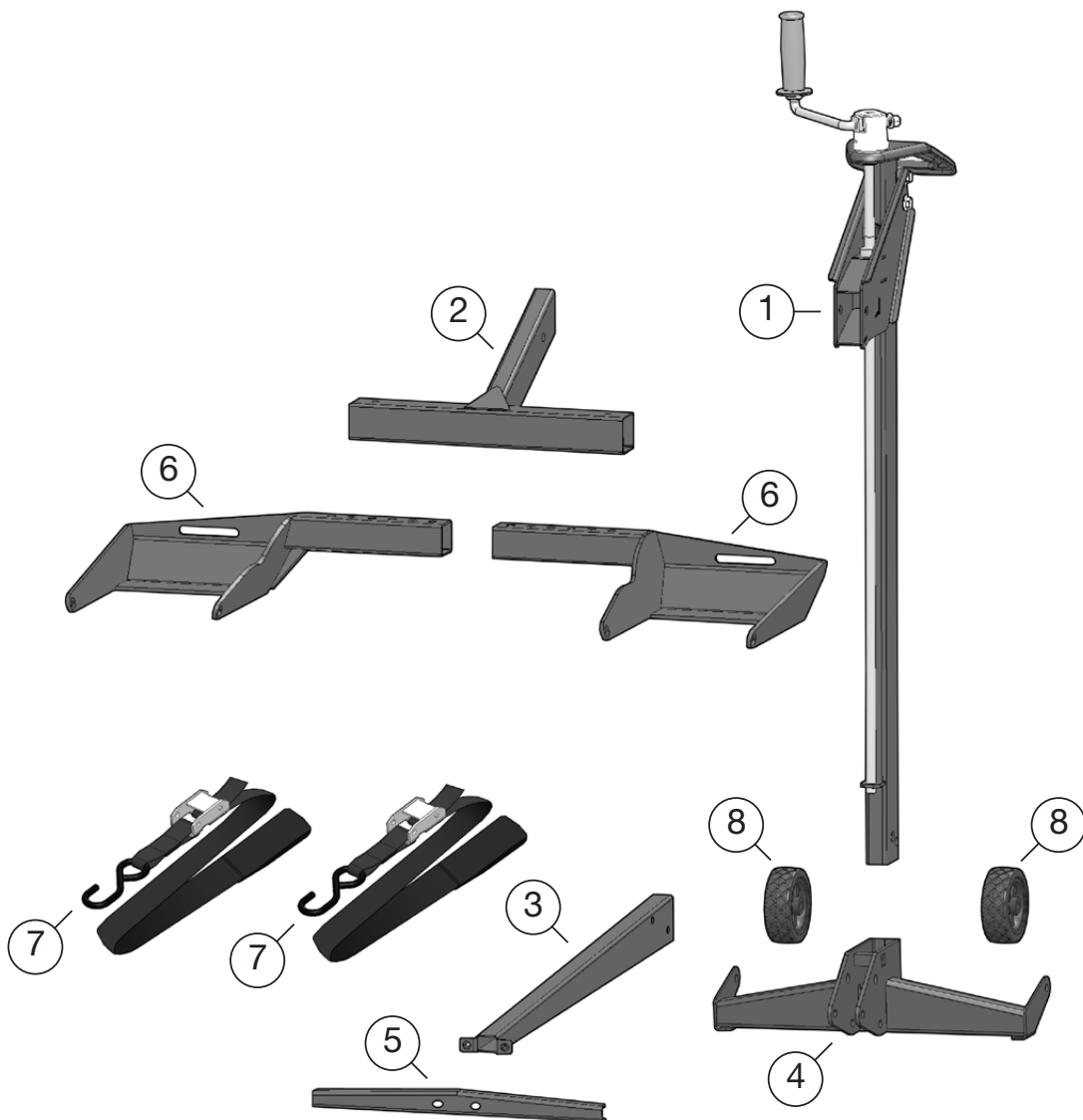
Yes. Returns and refunds impose an extra workload on our parts. Rather than pass this cost on to the customer through higher product prices, we are consistent with others within our industry by requiring nominal service fees in the event of returns. The service fee is 20%.

How do I contact MoJack?

You can call our toll-free number 1-877-575-3173 or by email at info@themojack.com.

Parts List

Item No.	Part No.	Qty.	Description
①	509-0014	1	Tower Assembly
②	509-0026	1	Lift Arm
③	509-0033	1	Base Floor Tube
④	509-0048	1	Base
⑤	509-0036	1	Base Support Channel
⑥	509-0039	2	Wheel Pad
⑦	009-0007	2	Safety Strap
⑧	010-0013	2	Wheels

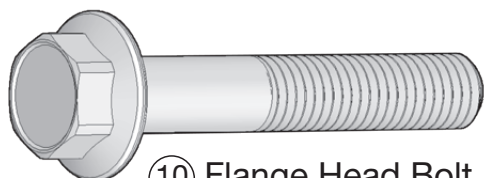


Hardware List

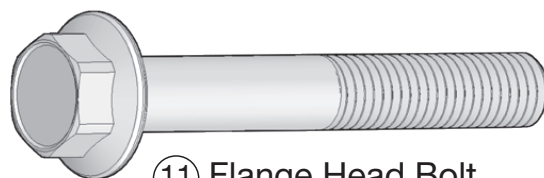
Item No.	Part No.	Qty.	Description
⑨	509-0040	2	Wheel Pad Support Rod
⑩	003-0005	2	Flange Head Bolt M10-1.5 X 60
⑪	003-0016	2	Flange Head Bolt M10-1.5 X 65
⑫	003-0007	2	Flange Head Bolt M8-1.25 X 16
⑬	002-0001	4	Nylon Lock Nut – M10-1.5
⑭	001-0014	4	Washer – M10
⑮	002-0008	2	Nut – M10
⑯	001-0013	2	Push Pin
⑰	001-0012	2	Clevis Pin
⑱	001-0010	4	Hair Pin



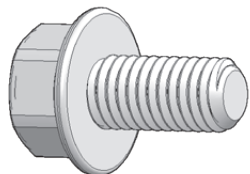
⑨ Wheel Pad Support Rod



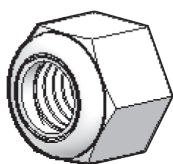
⑩ Flange Head Bolt
M10-1.5 X 60



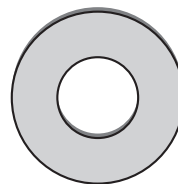
⑪ Flange Head Bolt
M10-1.5 X 65



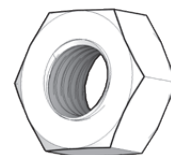
⑫ Flange Head Bolt
M8-1.25 X 16



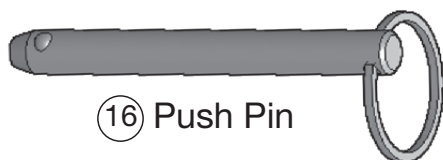
⑬ Nylon Lock Nut
M10-1.5



⑭ Washer M10



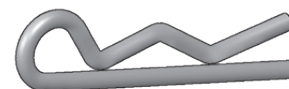
⑮ Nut M10



⑯ Push Pin

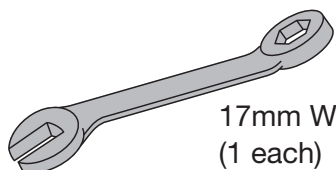


⑰ Clevis Pin

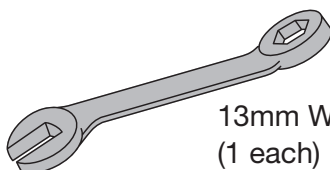


⑱ Hair Pin

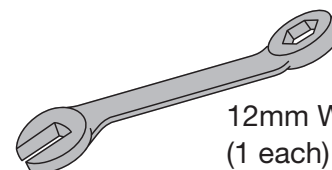
Tools Needed for Assembly (not included)



17mm Wrench
(1 each)



13mm Wrench
(1 each)



12mm Wrench
(1 each)

Assembly Instructions

STEP 1

Remove lift from package.

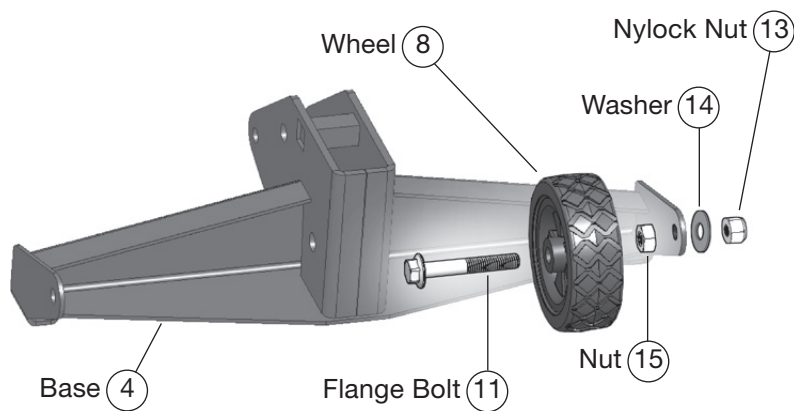
Inventory items to be certain all parts and hardware are present. If any parts or hardware are missing, please contact MoJack at 1-877-575-3173 or email us at parts@themojack.com.



STEP 2

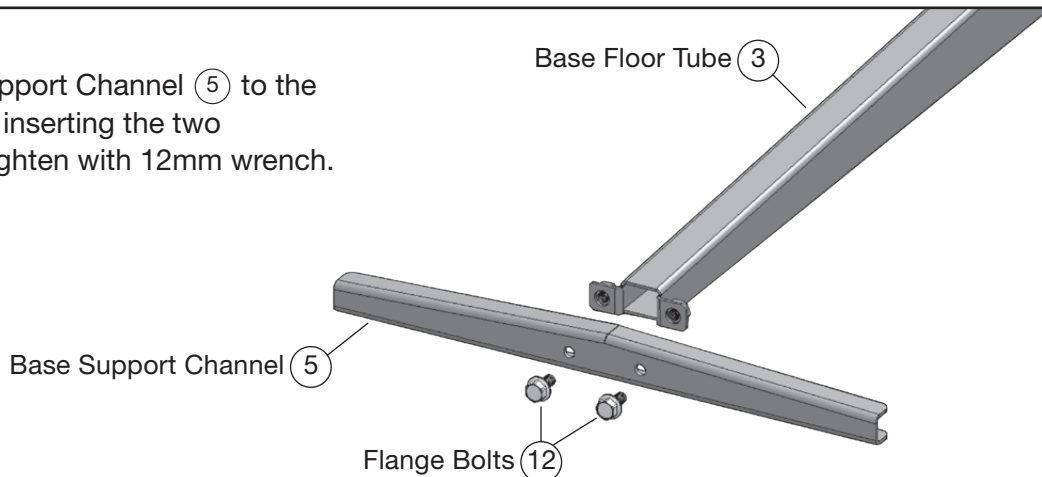
Assemble the Wheel (8) to the Base (4) by inserting Flange Bolt (11) through the wheel and threading the Nut (15). Insert Flange Bolt through the Base, add Washer (14) and secure with Nylock Nut (13). Repeat with second Wheel.

Note: Do not over tighten Nylon Lock Nut.



STEP 3

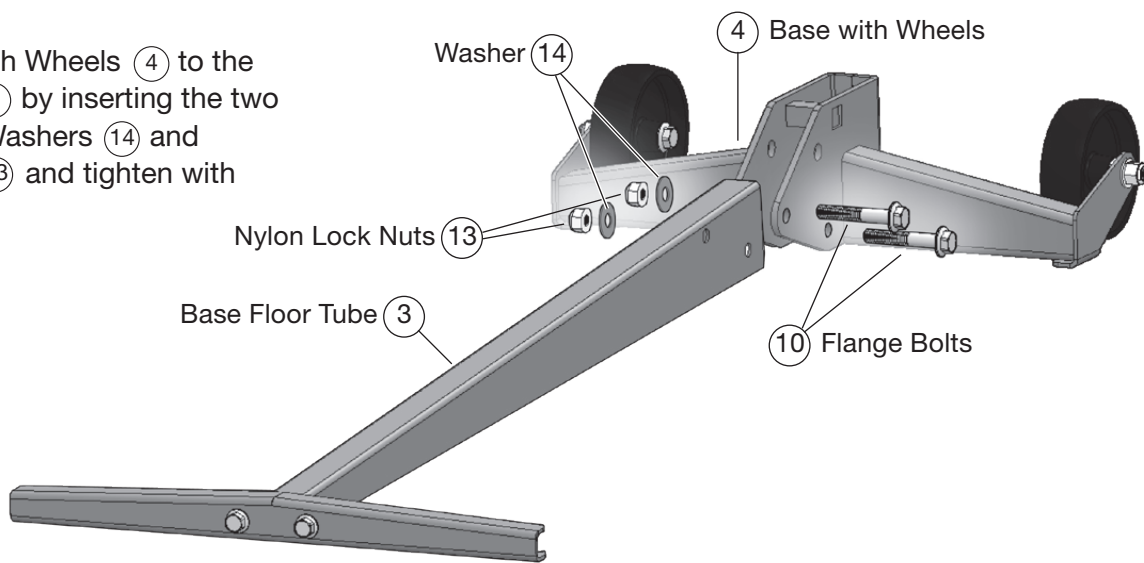
Assemble the Base Support Channel (5) to the Base Floor Tube (3) by inserting the two Flange Bolts (12) and tighten with 12mm wrench.



Assembly Instructions

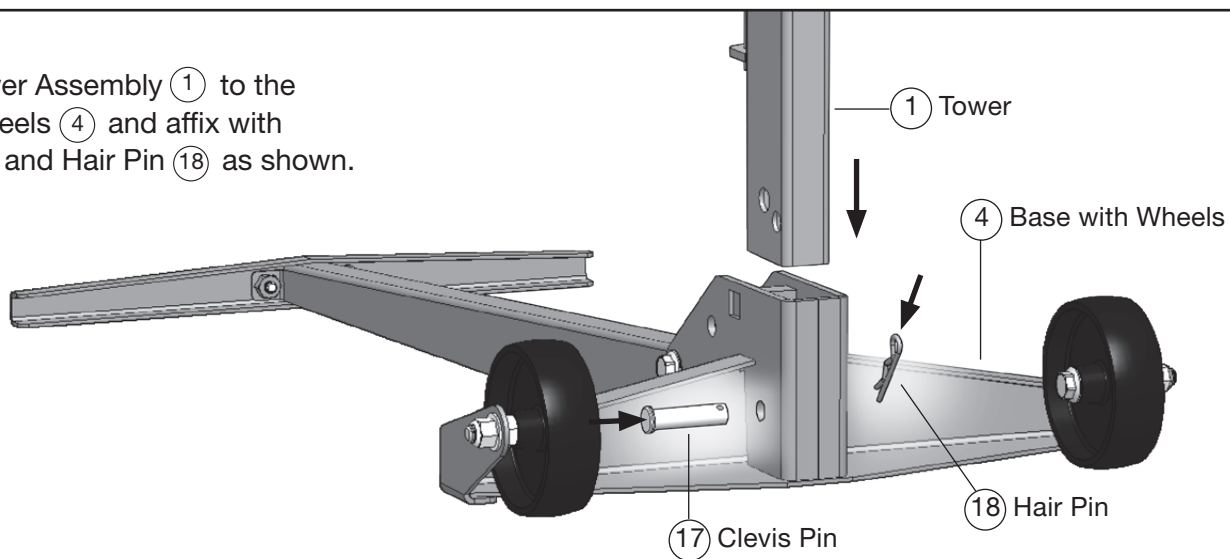
STEP 4

Assemble Base with Wheels (4) to the Base Floor Tube (3) by inserting the two Flange Bolts (10), Washers (14) and Nylon Lock Nuts (13) and tighten with 13mm wrenches.



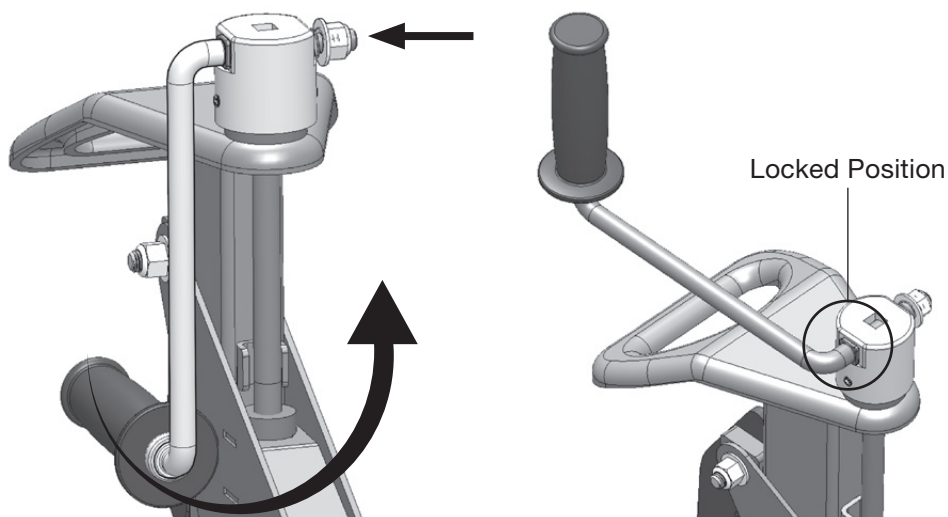
STEP 5

Insert the Tower Assembly (1) to the Base with Wheels (4) and affix with Clevis Pin (17) and Hair Pin (18) as shown.



STEP 6

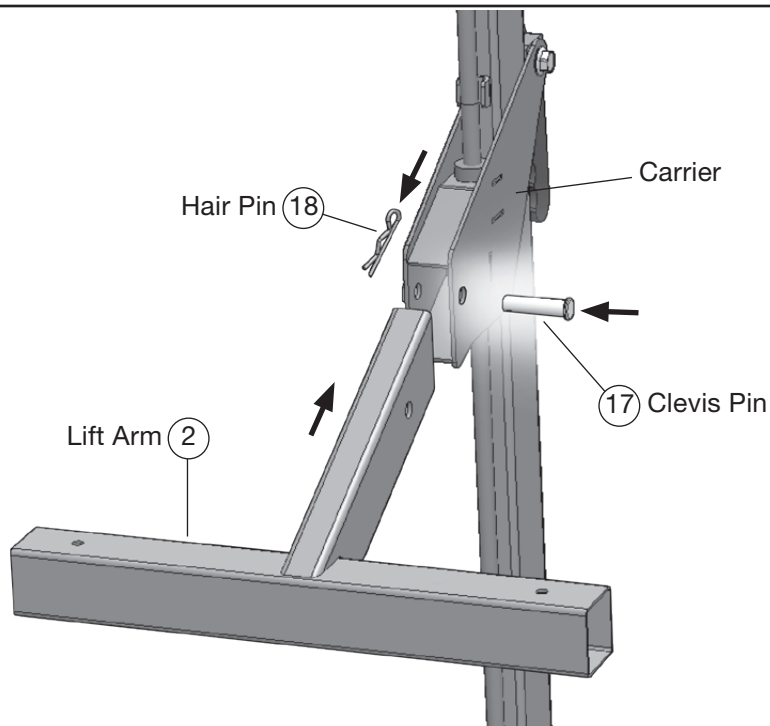
Push in side of handle and rotate from storage position to the operating position. Allow to seat into the locked position.



Assembly Instructions

STEP 7

Insert the Lift Arm (2) into the Carrier and insert the Clevis Pin (17) through the hole in Carrier and lock by fastening the Hair Pin (18) to the Clevis Pin.

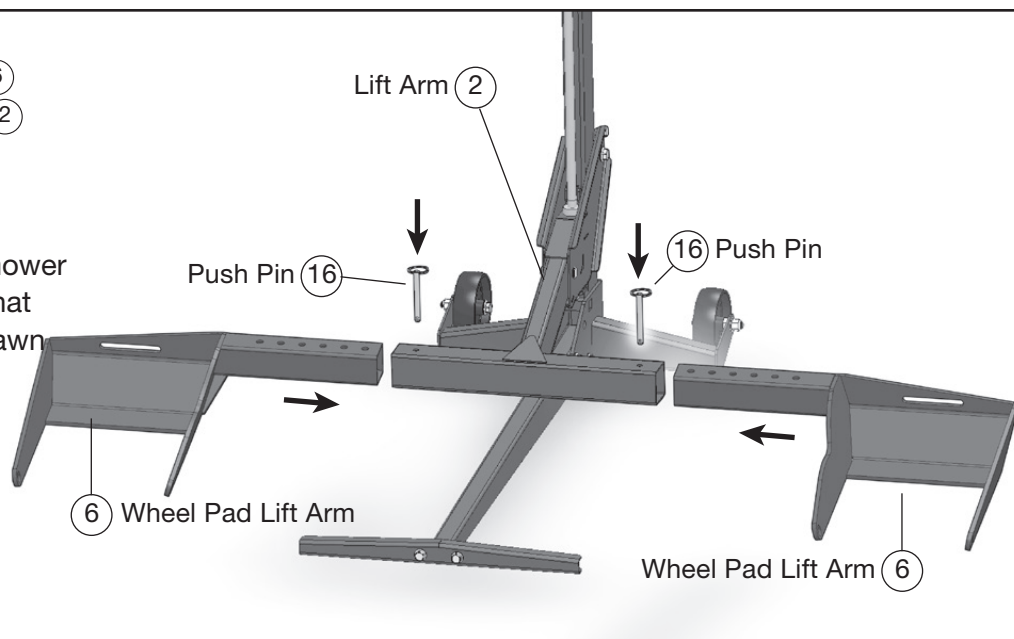


STEP 8

Slide the Wheel Pad Lift Arms (6) onto both sides of the Lift Arm (2) and secure with Push Pins (16).

NOTE: The Wheel Pads can be moved in or out to fit different mower widths. Use the configuration that works best with your model of lawn mower.

NOTE: The Safety Straps must be used during operation (see Step 9 of the Operating Instructions).



WARNING: Wheel pads must be equal distance from the Lift Arm to maintain proper balance. For additional information, see see Step 6 of the Operating Instructions.

THIS COMPLETES ASSEMBLY.

Operating Instructions

Some steps of the Operating Instructions are repeated from the Assembly Instructions. The Operating Instructions will show a full working cycle of the mower lift.



 Before using the mower lift, carefully read this manual in its entirety.

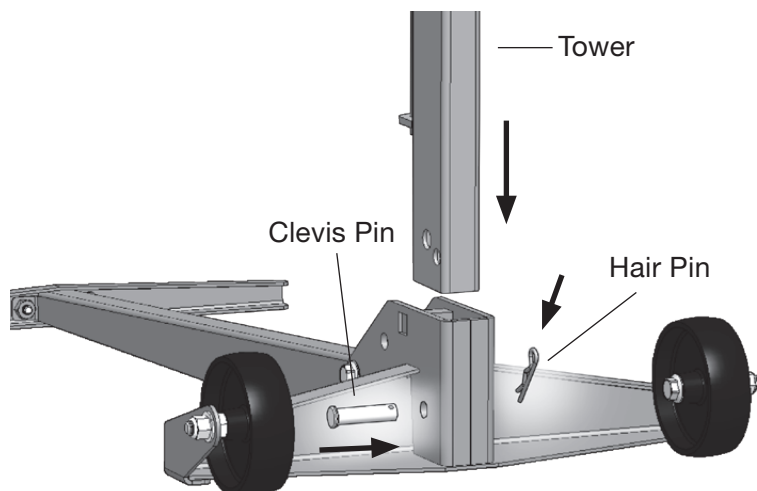
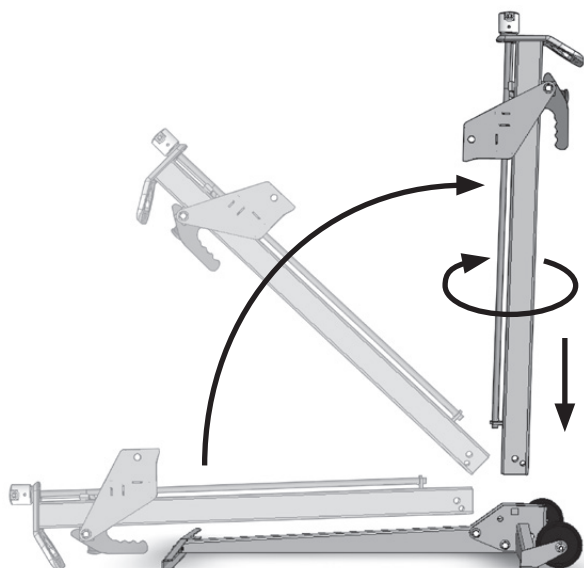
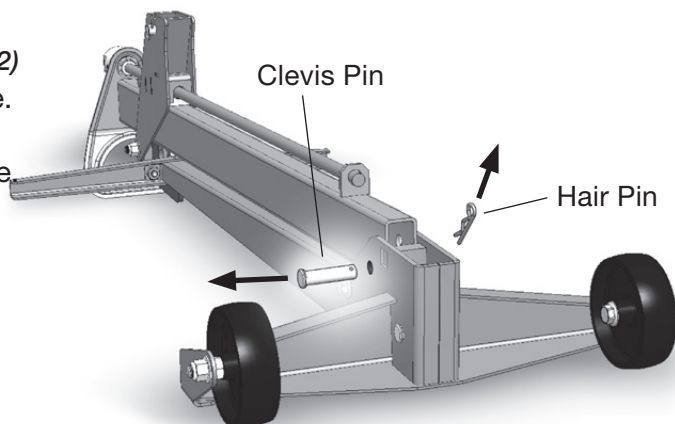
Operating Instructions

Preparing for use (Steps 1 - 7)

STEP 1

Unfolding the Mower Lift (if not applicable, skip to Step 2)

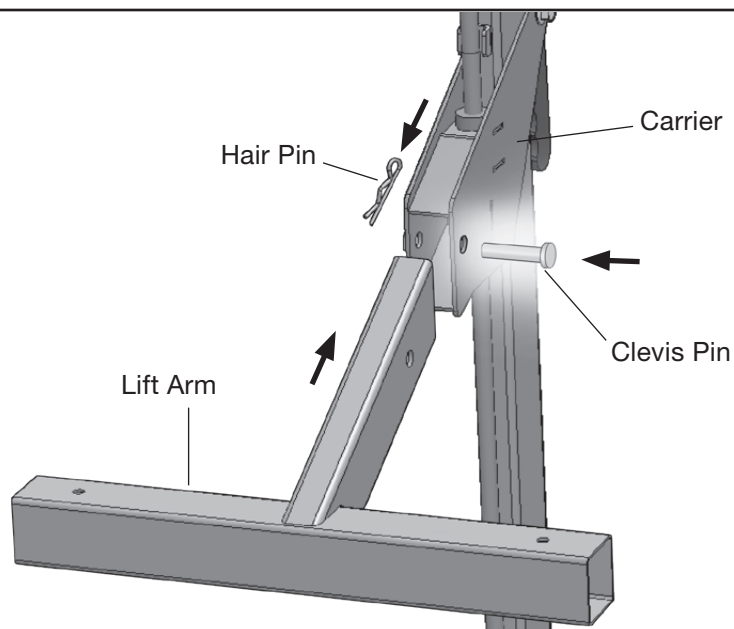
- Remove Hair Pin and Clevis Pin from the Wheel Frame.
- Remove the Tower out of the Wheel Frame.
- Rotate Tower 180 degrees and insert into Wheel Frame.
- Secure the Tower to the Wheel Frame by inserting Clevis Pin and Hair Pin.



STEP 2

Installing Lift Arm

- Insert the Lift Arm into the Carrier and insert the Clevis Pin through the hole in Carrier and lock by fastening the Hair Pin to the Clevis Pin.

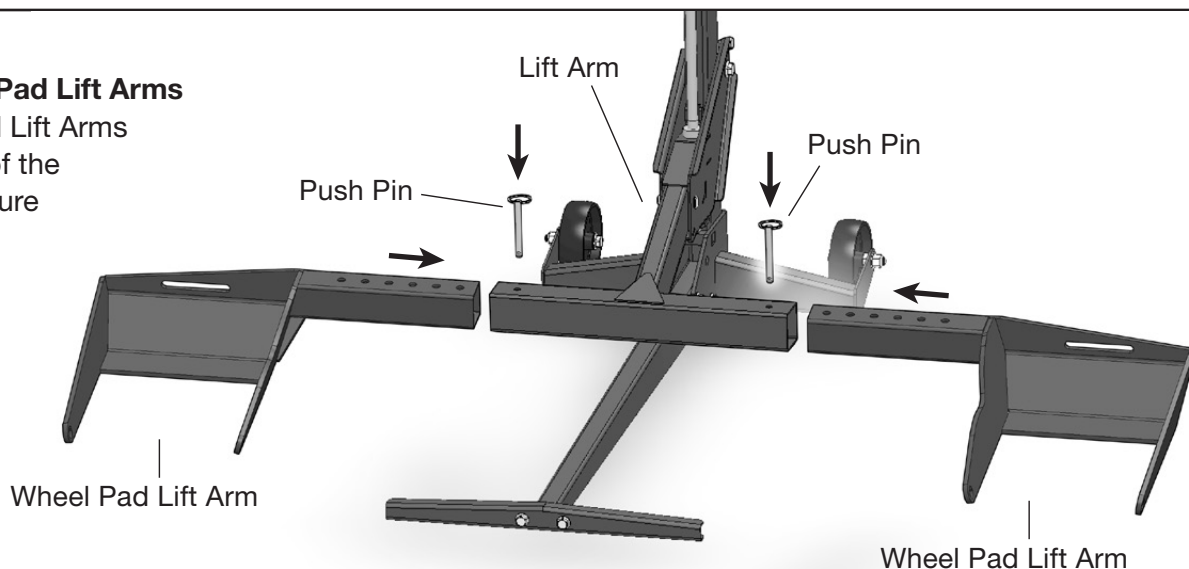


Operating Instructions

STEP 3

Installing Wheel Pad Lift Arms

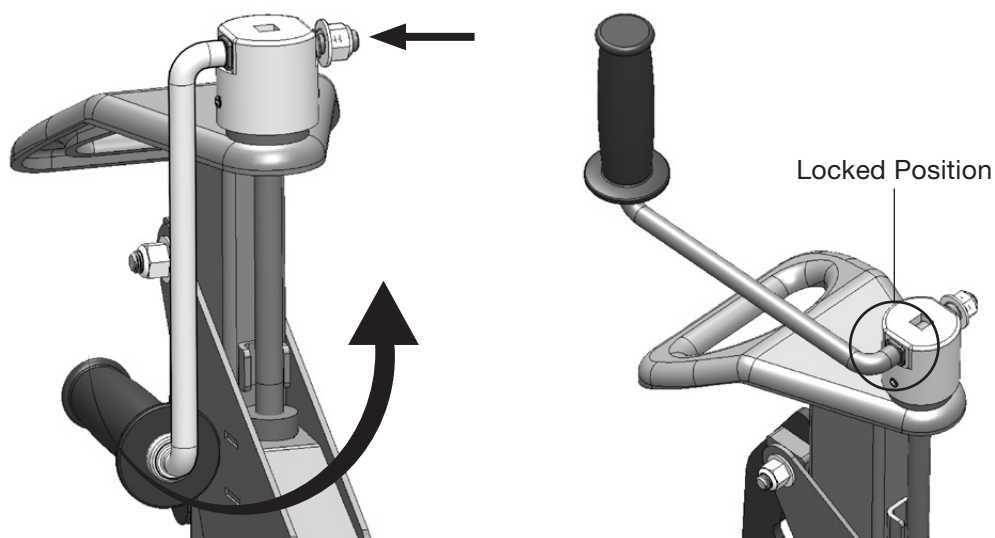
- Slide Wheel Pad Lift Arms into both sides of the Lift Arm and secure with Push Pins.



STEP 4

Preparing the handle

- Push in side of handle and rotate from storage position to the operating position. Allow to seat into the locked position.



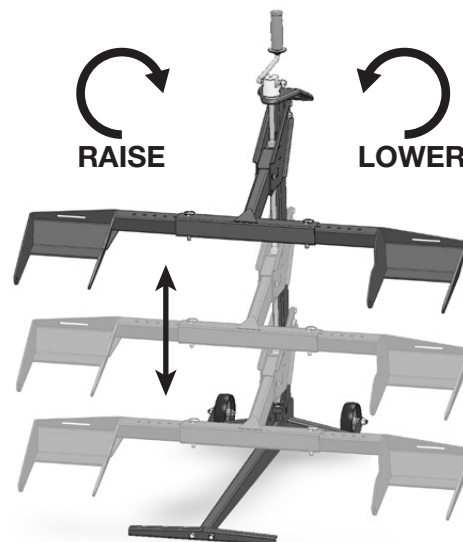
STEP 5

Familiarize yourself with the jack

- Practice raising and lowering the Lift Arm before attempting to lift the mower (see Steps 10 – 13 on how to raise and lower the Lift Arm).
- Practice Step 15 if you intend to raise or lower the mower with a drill attachment.

NOTE: Remove all front mower attachments that interfere with handle before using the lift.

⚠ When using the lift, keep ALL bystanders at a safe distance away from the mower lift.



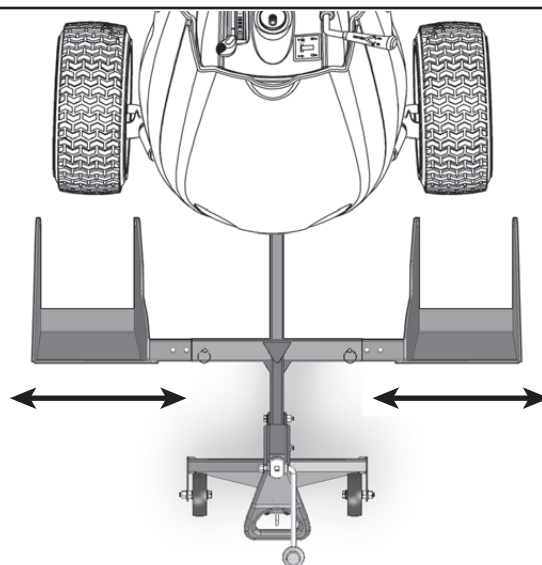
Operating Instructions

STEP 6

Aligning Wheel Pads to Fit Mower

- Position the jack in front of the mower.
- Remove Push Pins and adjust the wheel pad to align with the mower's front tires.
- Replace the Push Pins to lock the Wheel Pad Lift Arms to the Lift Arm.

⚠ Wheel Pad Lift Arms must be equal distance from the Lift Arm to maintain proper balance.



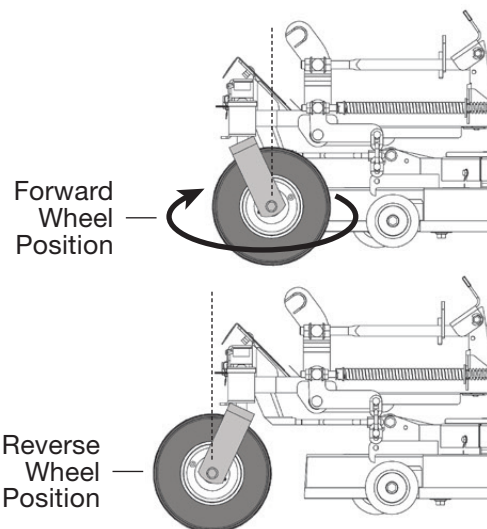
STEP 7

Reverse Front Tires of ZTR Mower (optional – if not applicable, skip to Step 8)

In some cases, the mower deck or anti-scalping wheels will hit the Lift Arm while the mower is being raised. This is often the case if part of the deck (including the anti-scalping wheels) protrudes past the center line of the front wheels of the mower. If this happens:

- Rotate the front tires 180° so that they are in the reverse position.
- Slide the lift as close to the wheels as possible.

NOTE: Reference Step 6 for Aligning Wheel Pads to fit ZTR mower.



Using the Lift (Steps 8 - 15)

STEP 8

Move mower onto jack

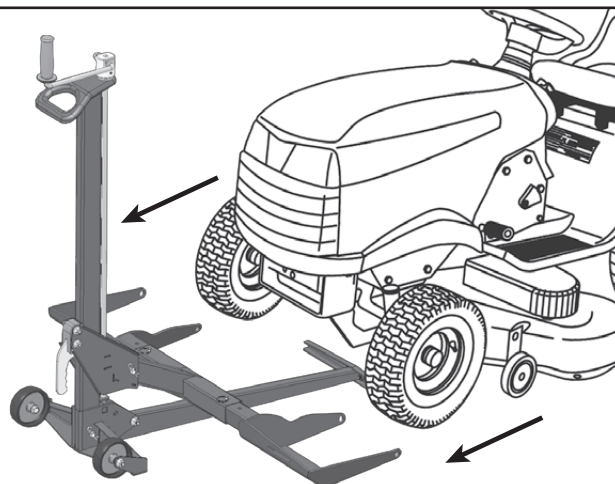
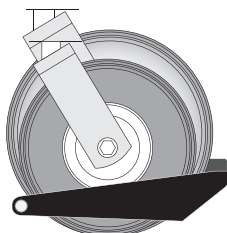
⚠ The jack must be used on a solid level surface.

- Drive or roll the mower onto the Wheel Pads.

⚠ Stop engine and remove the key.

NOTE: Wheel Pads accommodate wheel sizes from 10" – 17" (25cm – 43cm).

⚠ Not for use with tires over 17" (43cm) in size.



Operating Instructions

STEP 9

Strapping Front Mower Tires to Wheel Pads

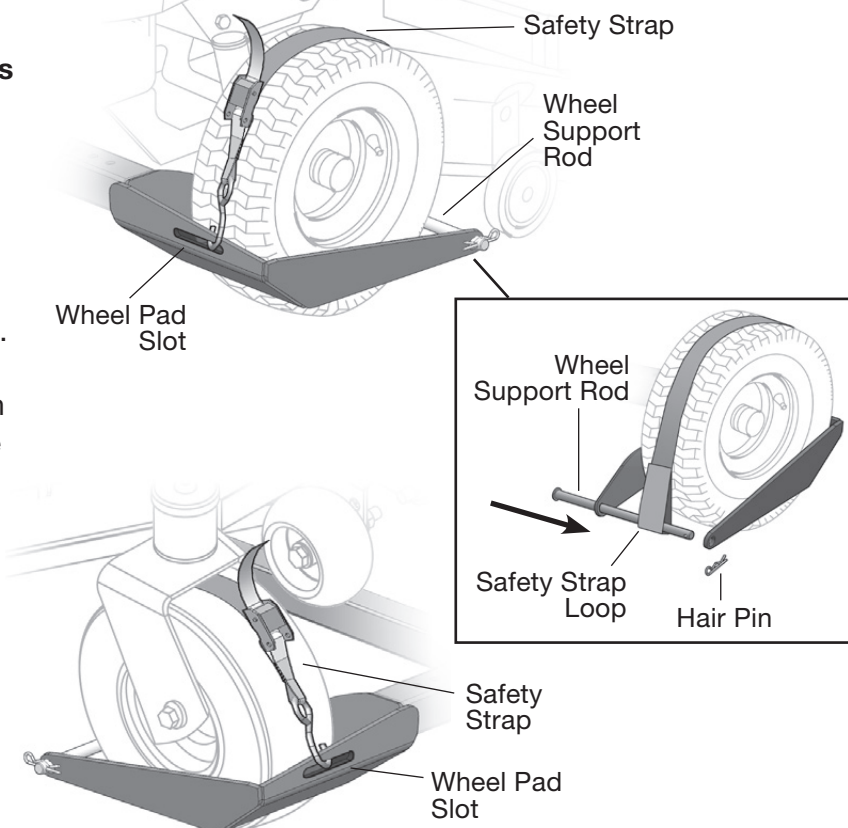
- Secure the front mower tires to the Wheel Pads using the Safety Straps. Secure the hook on the Safety Strap to the Wheel Pad Slot.

The Safety Strap hook should always be facing upward.

- Extend the Safety Strap over the top of tire.
- Insert the Wheel Support Rod through one hole on the Wheel Pad, through the loop on the Safety Strap and through the other side of the Wheel Pad. Secure with Large Hair Pin.
- Squeeze the metal buckle and pull end of strap to tighten the Safety Straps over the top of the tires to secure mower to Wheel Pads.

NOTE: Inspect Safety Strap for wear before each use.

- ⚠ Always secure front mower tires with enclosed safety straps.



STEP 10

Raising the Mower

- Raise the mower by rotating the Crank Handle clockwise.
- See Step 15 for raising the mower with drill attachment.

- ⚠ Do not exceed the lifting capacity of 500 lbs. (226 kg) front end weight. If you have a question regarding weight of your machine, please contact MoJack at 1-877-575-3173.

- ⚠ If the lift Tower is leaning while lifting or lowering the mower, this indicates an overload condition. REMOVE THE MOWER IMMEDIATELY.

- ⚠ The jack must be used on a solid level surface.

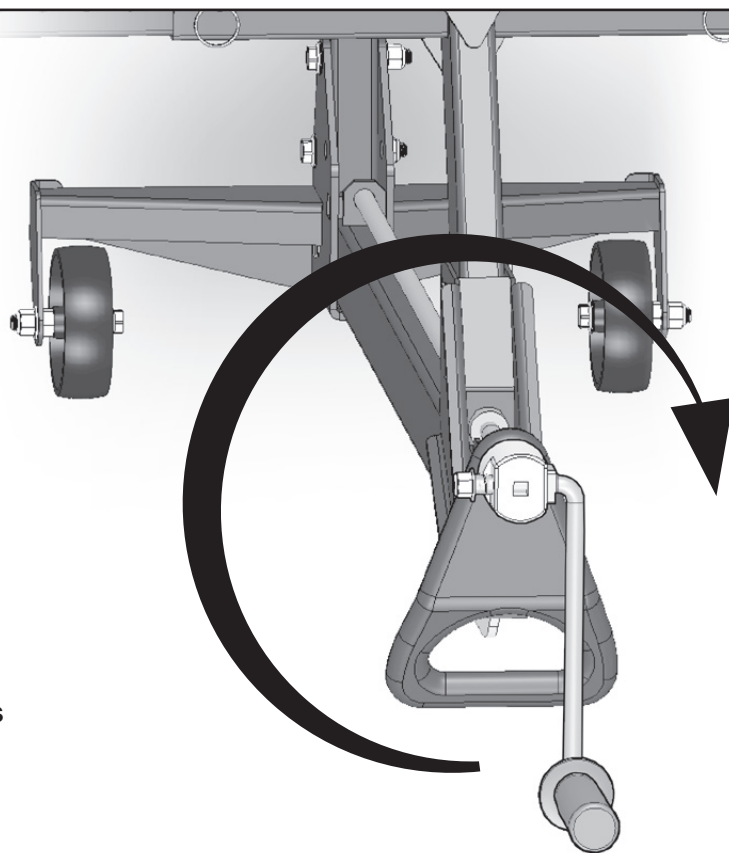
- ⚠ Mower deck must be raised to highest setting.

- ⚠ The engine must be turned off and key removed.

- ⚠ The mower must be in neutral when raising or lowering to allow the wheels roll as the mower is raised or lowered.

- ⚠ The parking brake must be off during this step.

- ⚠ Always use attached safety straps. The Safety Straps must be firmly tightened.



Operating Instructions

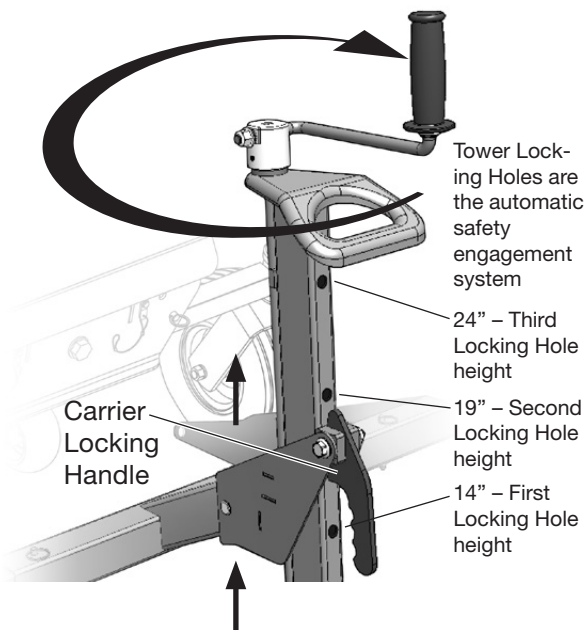
STEP 11

Raising Lift Arm to Locking Position

- Raise the Lift Arm until the Carrier Locking Handle drops into one of the three Tower Holes. The Tower Locking Holes are the automatic safety engagement system.
- The Carrier Locking Handle automatically drops into the Tower Holes as the Carrier passes the Tower Holes when raising. Locking engagement occurs at 14", 19" and 24".

NOTE: When lowering the Lift Arm, the Carrier Locking Handle must be held out by the operator until it clears the bottom Tower Hole.

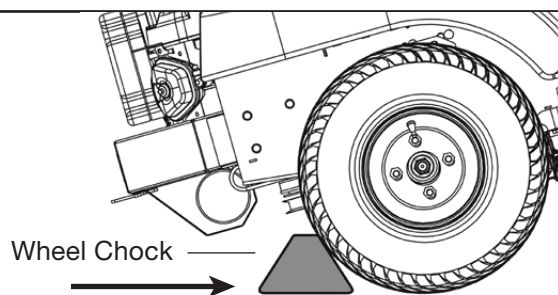
NOTE: The lift is equipped with a clutch to protect itself from accidental damage. If the Carrier Locking Handle is not disengaged when lowering, the clutch will release the Crank Handle from the screw and rotate freely. To re-engage the Crank Handle, turn clockwise for a few turns.



STEP 12

Preparing the Mower for Service

- Place wheel chocks (not included) behind the back tires of the mower.
- Apply the parking brake on the mower.
- The Carrier Locking Handle must be locked into one of the two Tower Holes.

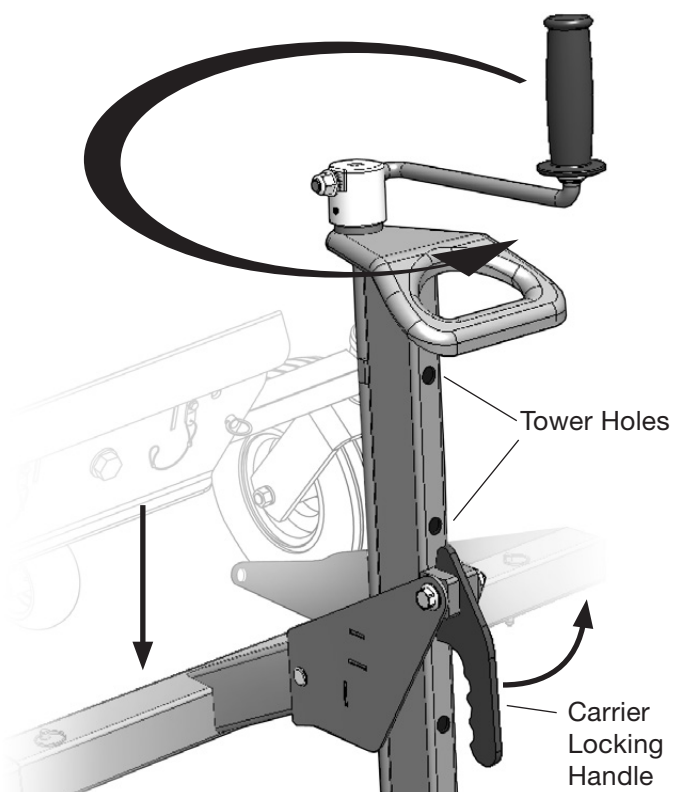


STEP 13

Lowering the Mower

- Remove wheel chocks.
- Release the parking brake.
- Mower must be in neutral or hydraulic drive disengaged.
- Pull and hold the Carrier Locking Handle out and turn the Crank Handle counter clockwise until Wheel Pads are firmly on the ground. **The Carrier Locking Handle must be pulled out until it clears the bottom Tower Hole. It may be necessary to raise the Carrier slightly to allow the Carrier Locking Handle to be pulled out.**

NOTE: The lift is equipped with a clutch to protect itself from accidental damage. If the Carrier Locking Handle is not disengaged when lowering, the clutch will release the Crank Handle from the screw and rotate freely. To re-engage the Crank Handle, turn clockwise for a few turns.

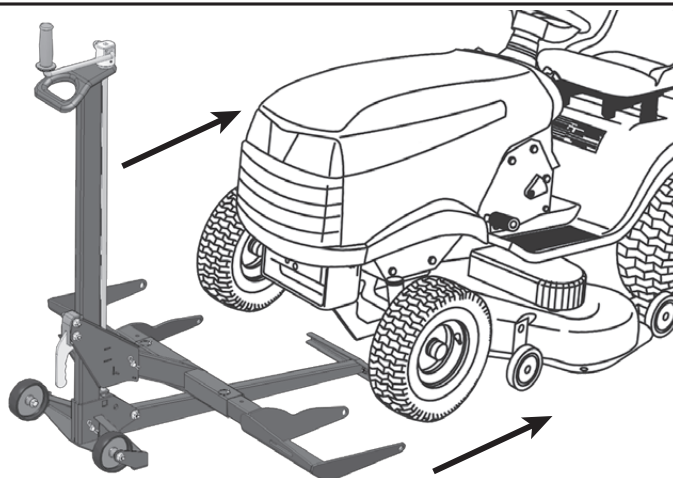


Operating Instructions

STEP 14

Removing the Mower from the lift

- Remove the Safety Straps from front mower tires.
- Drive or roll the mower off of the Wheel Pads.

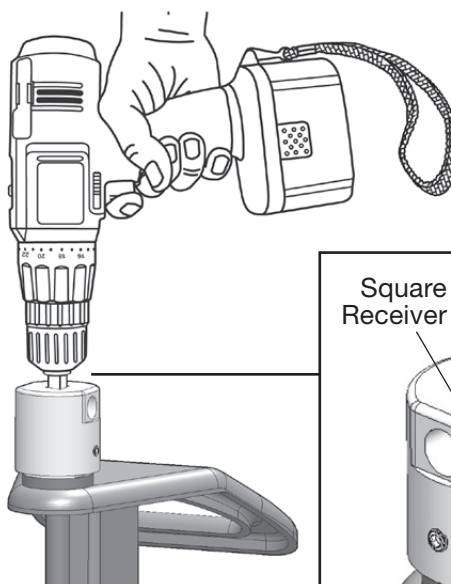


STEP 15

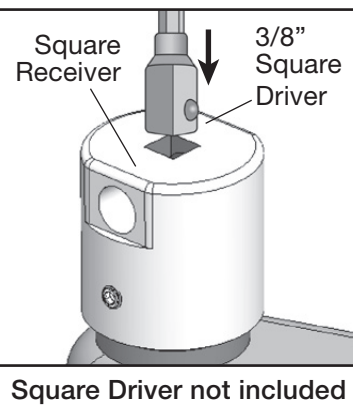
Raising the lift with a power drill (optional – power drill not included)

The lift can be raised or lowered by using a variable speed corded drill (7 amp minimum) or variable speed cordless drill (18V minimum). The drill will require a 3/8" square driver (not included).

- Remove Crank Handle by taking off the Nylon Lock Nut and Spring using 13mm wrench. After Crank Handle removal, re-attach Spring and Nylon Lock Nut to Crank Handle to prevent loss.
- Firmly insert the 3/8" square driver in the Square Receiver. Rotate the drill forward (clockwise) to raise the Lift Arm and rotate the drill in reverse (counter-clockwise) to lower the Lift Arm.
- Carrier Locking Handle must be manually pulled out when lowering until it clears the bottom Tower Hole.



Make sure drill is fully charged and set at highest torque.



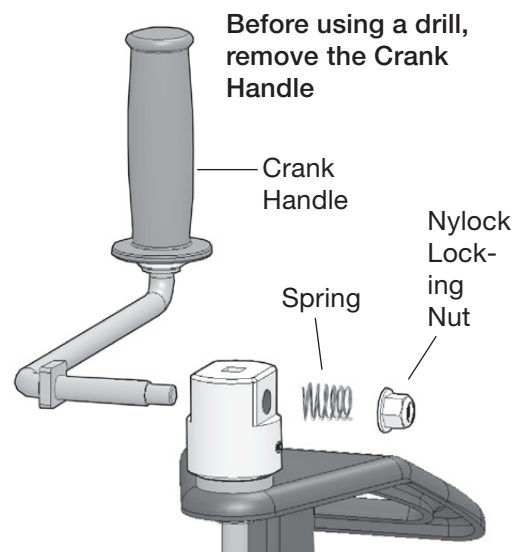
⚠ Operator must have a firm grip on the drill before raising or lowering the Lift Arm.

NOTE: Crank Handle must be removed in order to use the drill attachment.

Follow all other operating instructions while using the drill attachment. Replace the Crank Handle as necessary for future use.

NOTE: When re-assembling handle, take care not to over-tighten the Nylon Lock Nut against the spring. There should be enough free space for the handle to be pushed in to move from storage position to operating position.

NOTE: When re-assembling the handle, a “popping” sound may occur due to the re-engagement of the clutch system.



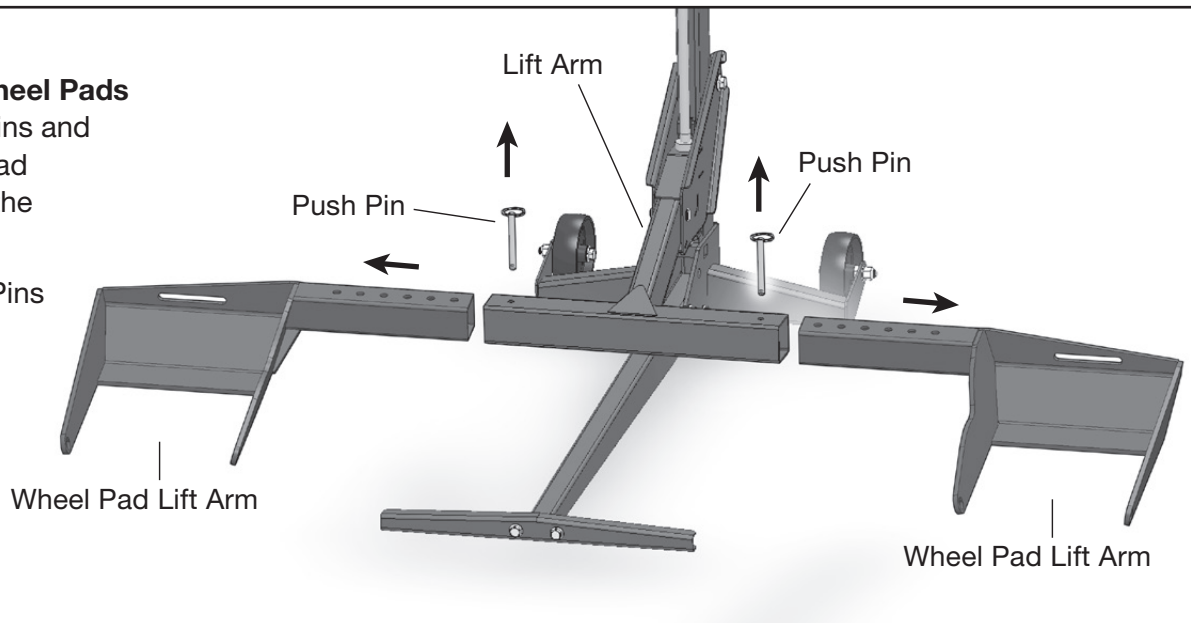
Operating Instructions

Preparing for Storage (Steps 16 - 20)

STEP 16

Removing the Wheel Pads

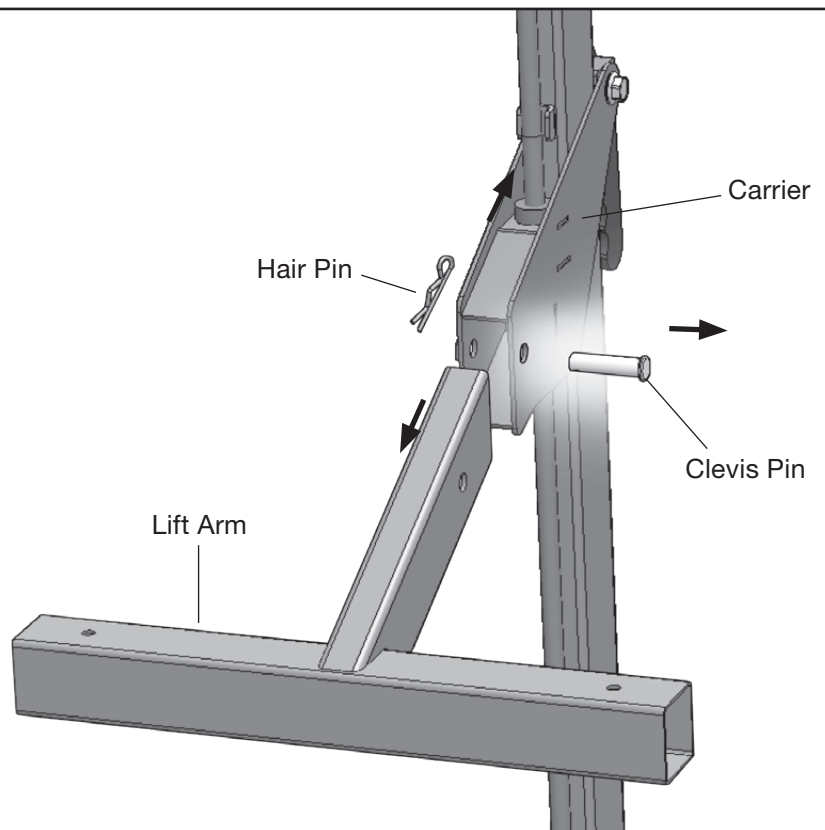
- Remove Push Pins and pull the Wheel Pad Lift Arms out of the Lift Arm.
- Store the Push Pins in the Lift Arm to prevent loss.



STEP 17

Removing the Lift Arm

- While holding the Lift Arm, remove the Hair Pin and Clevis Pin from Lift Arm.
- Slide the Lift Arm out of the Carrier.
- Store the Hair Pin and Clevis Pin in the Lift Arm to prevent loss.

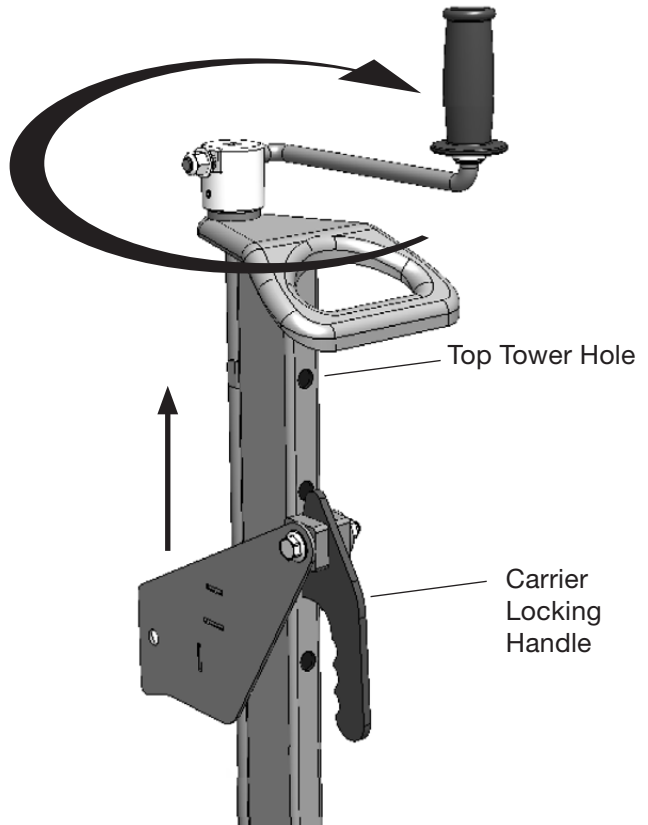


Operating Instructions

STEP 18

Raise Carrier

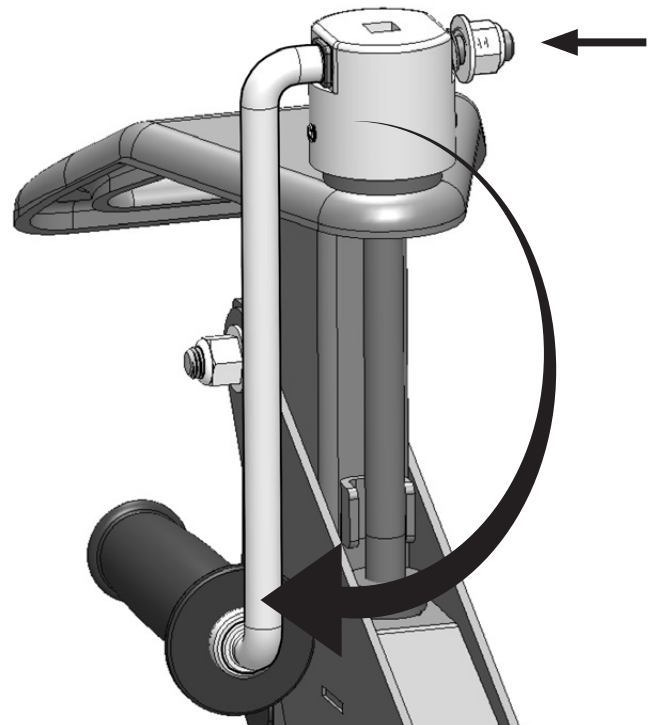
- Raise the Carrier by turning the Crank Handle clockwise until the Carrier Locking Handle drops into the top Tower Hole.



STEP 19

Rotate Crank Handle to Storage position

- Push in side of handle and rotate from operating position to the storage position. Allow to seat into the locked position.

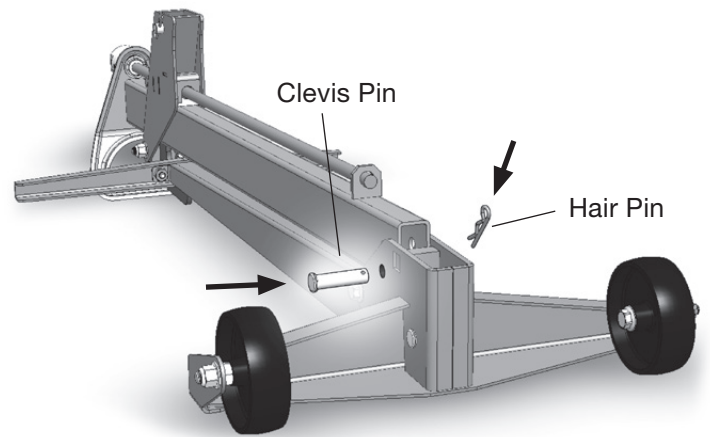
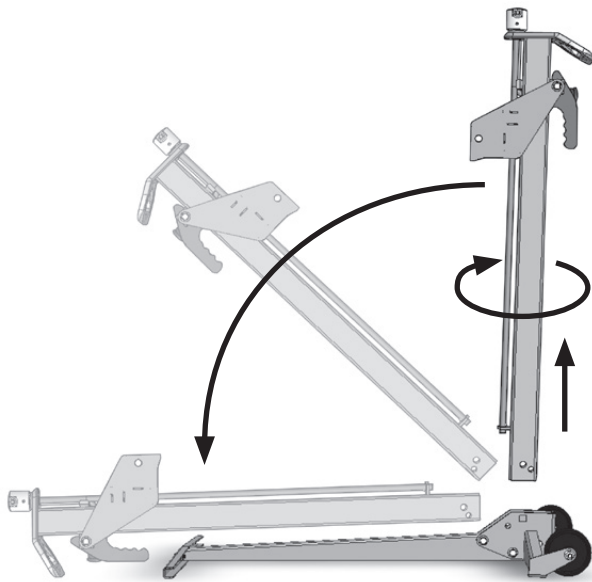
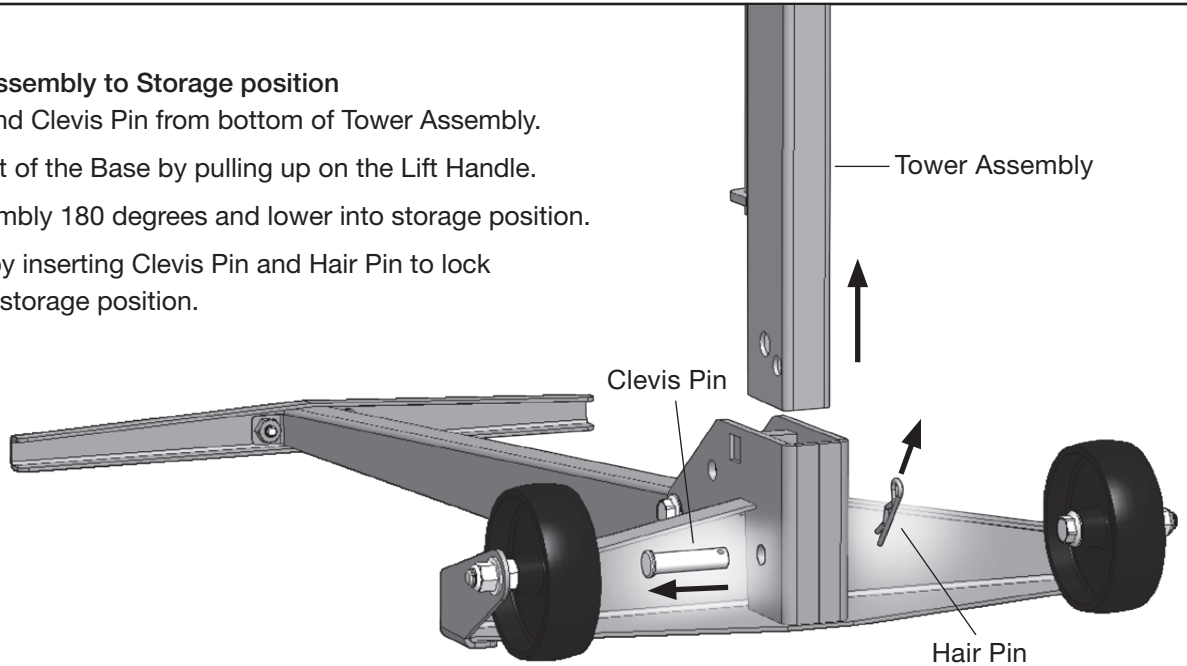


Operating Instructions

STEP 20

Moving the Tower Assembly to Storage position

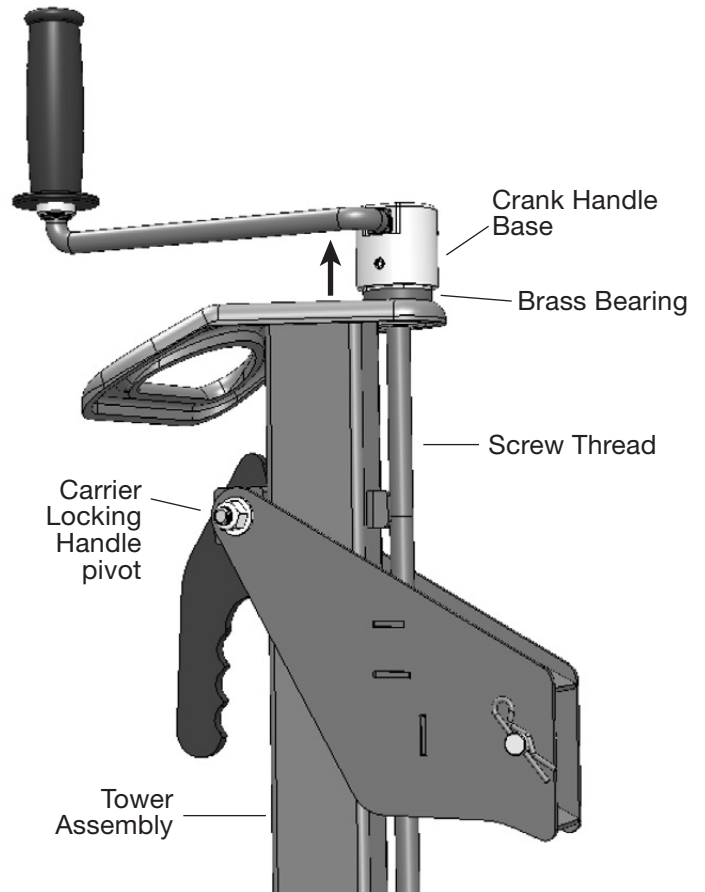
- Remove Hair Pin and Clevis Pin from bottom of Tower Assembly.
- Raise the Tower out of the Base by pulling up on the Lift Handle.
- Rotate Tower Assembly 180 degrees and lower into storage position.
- Secure the Tower by inserting Clevis Pin and Hair Pin to lock Tower Assembly in storage position.



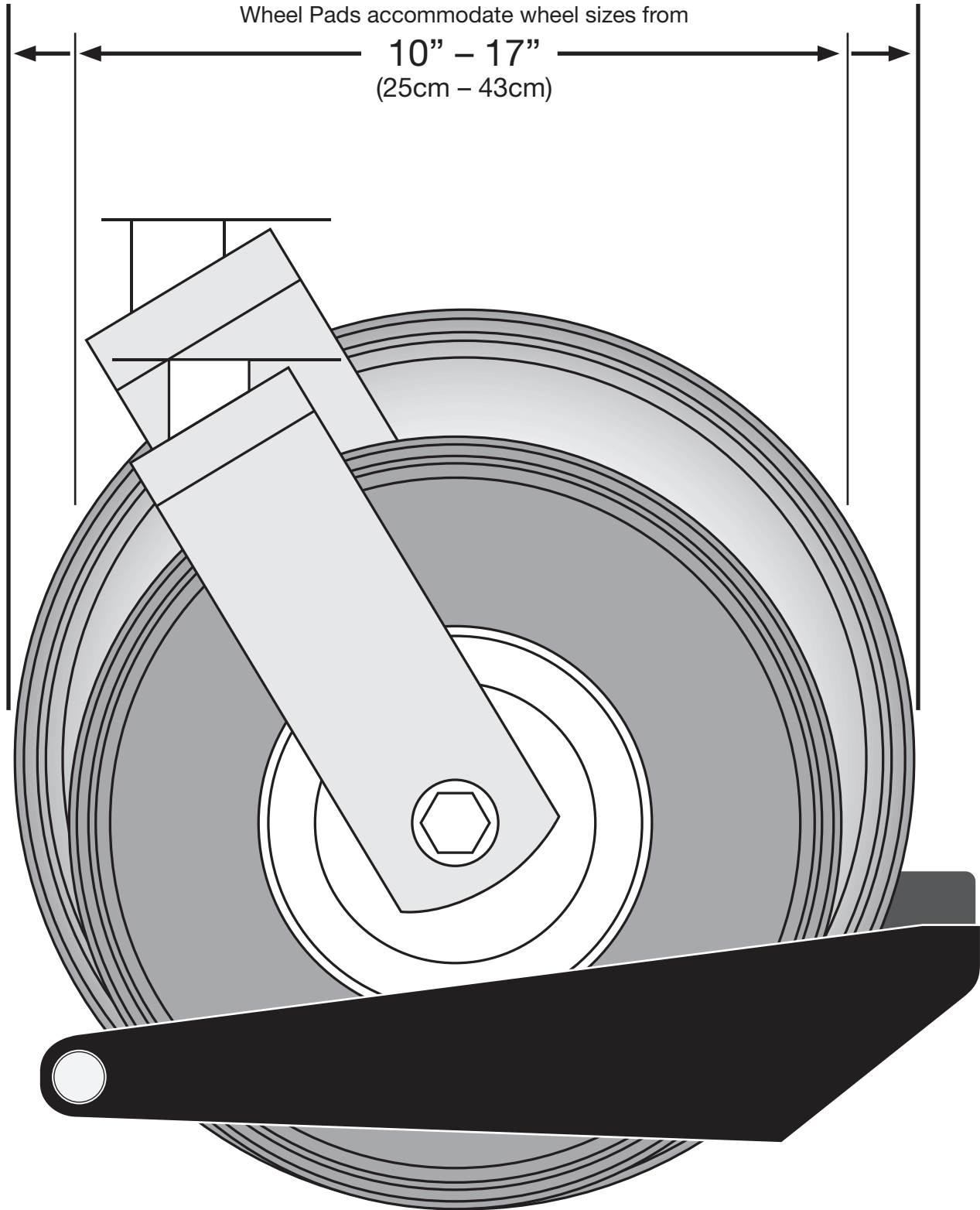
THE LIFT IS NOW READY FOR STORAGE OR TRANSPORT.

Maintenance Schedule

- Before each use, always check for any worn, loose or damaged parts on the lift. If any damaged parts are present, do not use the lift and contact MoJack at 1-877-575-3173.
- Clean and oil the entire screw thread after every fifty (50) uses or at least once a year using light machine oil.
- Place lithium grease between the Crank Handle Base and the brass bearing after every fifty (50) uses or once a year. Without weight on carrier, lift the Crank Handle to create a small gap between the brass bearing and the Crank Handle Base. Use a small brush to apply the lithium grease between the two surfaces.
- Spray grease or lube in Carrier Locking Handle pivot after every fifty (50) uses or at least once a year.
- Wipe clean and lightly apply grease to front and back of Tower Assembly after every fifty (50) uses or at least once a year.



Supported Tire Sizes



⚠ Not for use with tires over 17" (43cm) in size

Introducción



Este manual contiene las instrucciones de montaje, las piezas, el funcionamiento, mantenimiento, ajuste y seguridad de su elevador.

ANTES DE USAR SU EQUIPO ELEVADOR, LEA COMPLETAMENTE ESTE MANUAL.

Al seguir estas instrucciones de funcionamiento, mantenimiento y seguridad, usted aumentará la vida útil de su elevador MoJack y promoverá un funcionamiento seguro.

Si necesita información adicional o requiere un servicio mecánico certificado, póngase en contacto con su distribuidor o concesionario de equipo MoJack autorizado.

Todas las partes MoJack se prueban y revisan por completo antes de salir de la fábrica, para garantizar que cumple con todos los estándares de seguridad aplicables.

NOTA: Guarde este manual para usarlo en el futuro.

MODEL / MODELO	Troy-Bilt TB500ML
MAX.LOAD / CARGA MÁX.	500 lbs / 226 kg
SERIAL No. / Nro. de serie	
Patent #s: U.S., 8,448,920 & U.S., 8,387,953	
Manufacturer / Fabricante: MoJack	
Address / Dirección: 3535 N. Rock Road, Wichita KS 67226 USA	
Phone / Teléfono: 1-877-575-3171	

NOTA: Ubicación del Número de serie de la unidad.

¿Necesita ayuda?

NO devuelva este producto a la tienda.

¡Nuestro departamento de servicio para el cliente está listo para ayudarle!

1-877-575-3173

Haga sus preguntas en línea en:

www.theMoJack.com

























Patente #: U.S., 8,448,920

Patente #: U.S., 8,387,953

© 2013 (MoJack Distributors, LLC)

MoJack y el logotipo de MoJack son marcas registradas de MoJack Distributors, LLC.

Advertencias e Instrucciones de Seguridad

-  Lea y comprenda todas las instrucciones de seguridad y funcionamiento antes de usar el equipo elevador.
-  Nunca permita que las personas no familiarizadas con las instrucciones de operación o seguridad, usen el elevador.
-  Siga todas las instrucciones de seguridad y servicio ofrecidas por el fabricante de la podadora, antes de usar el equipo elevador.
-  No modifique de ningún modo el equipo elevador. Cualquier modificación anulará todas y cada una de las garantías y podría comprometer su seguridad personal.
-  Cuando use el equipo elevador, mantenga TODOS los espectadores a una distancia segura, lejos del elevador.
-  El equipo elevador debe usarse en una superficie de servicio sólida y nivelada.
-  Nunca eleve al mismo tiempo el frente y la parte posterior de la podadora.
-  Use el equipo elevador únicamente para podadoras con un peso frontal menor de 226 kilos y que se ajuste adecuadamente en las plataformas incluidas para las ruedas, (es decir, con diámetros de 10 a 17 pulgadas y con la rueda exterior con dimensiones de 37.5 a 47.5 pulgadas).
-  Detenga siempre el motor y quite la llave antes de iniciar cualquier trabajo con la podadora.
-  Coloque siempre la podadora en neutral o desenganche la transmisión hidráulica conforme al manual del propietario de la podadora.
-  Nunca opere el motor mientras usa el equipo elevador.
-  No exceda la capacidad de carga de 226 kilos de peso delantero.
-  Si la torre del equipo elevador se inclina mientras se hace ascender o descender la podadora, esto indica una sobrecarga. Retire la podadora inmediatamente.
-  La torre debe asegurarse en su sitio con el pasador de horquilla de la misma, antes de usar el equipo elevador.
-  El asa de bloqueo debe bloquearse en la torre antes de iniciar cualquier tarea de servicio de la podadora.
-  No deben retirarse las calcomanías, ni las advertencias de seguridad, en el equipo elevador.
-  Antes de cada uso, revise siempre que no haya ningún desgaste, piezas sueltas o dañadas en el equipo elevador. Si se detectan partes dañadas, no use el equipo elevador y póngase en contacto con MoJack a través de la línea directa 1-877-575-3173.
-  No suba a la podadora mientras se encuentre elevada, al ascender, o al descender.
-  Nadie debe subir a la podadora mientras se encuentre elevada, al ascender, o al descender.
-  Después de que la podadora se eleve hasta alcanzar la altura de trabajo, coloque siempre las calzas (no incluidas) detrás de las ruedas posteriores de la podadora.
-  Las plataformas para las ruedas deben estar a la misma distancia respecto del brazo de carga, para mantener un equilibrio adecuado.
-  Retire todos los accesorios de la podadora, antes de usar el equipo elevador.
-  Algunas podadoras que se encuentran equipadas con un escape en el tanque de combustible, pueden derramar combustible mientras se levantan. Si esto sucediera, ejecute el procedimiento de reducción del nivel de combustible dentro del tanque, para prevenir derrames.
-  El no seguir estas instrucciones puede dar como resultado daños materiales y lesiones corporales serias o incluso la muerte.

IMPORTANTE: El equipo elevador está diseñado para usarse únicamente con podadoras. El peso frontal no debe ser mayor de 226 kilos. Este equipo nunca deberá usarse para darle servicio a podadoras con un peso frontal mayor de 226 kilos.

Advertencias y Calcomanías de Seguridad



PRECAUCIÓN: ¡Evitar lesiones!

Este símbolo y el texto de relieve los peligros potenciales o la muerte al operador oa otras personas que puedan ocurrir si se tienen en cuenta los riesgos o procedimientos.

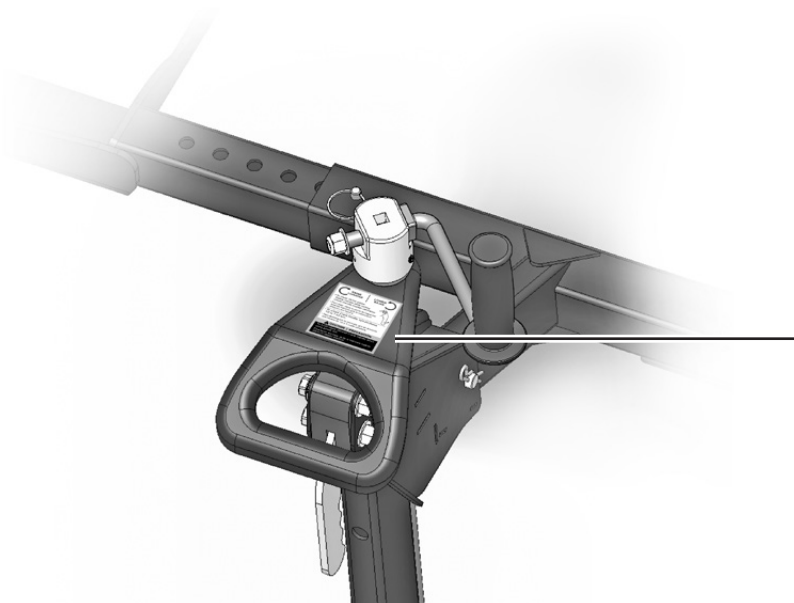
NOTA: No puede haber información adicional de seguridad contenida en piezas y componentes procedentes de proveedores que no se reproducen en este manual de instrucciones.



⚠ ADVERTENCIA

Para evitar lesiones:

- NO EXCEDA LA CAPACIDAD DE ELEVACIÓN DE 500 LBS (226 kg).
- Apague el motor antes de comenzar con las tareas de mantenimiento.
- Usar SOLO para elevar el extremo frontal del segador.
- Utilizar solo sobre una superficie sólida y pareja.
- NO modificar el izaje de ningún modo. Cualquier modificación anulará toda garantía.
- Leer el manual de funcionamiento.



⚠ CAUTION | PRECAUCIÓN

To avoid injury, remove Crank Handle when using power drill.

Para evitar lesiones, quite la manivela cuando utilice un taladro eléctrico.

Garantía y devoluciones

GARANTÍA LIMITADA

Por dos años únicamente para uso residencial, y un año para uso comercial, MoJack garantiza el producto contra fallas debidas a defectos en los materiales o la mano de obra, cuando el producto se usa adecuadamente. MoJack reemplazará cualquier parte defectuosa sin ningún costo. Esta garantía no cubre a ningún producto que se haya alterado o ajustado, ni a productos que se hayan usado inadecuadamente o excesivamente. ESTA ES LA SOLUCIÓN ÚNICA Y EXCLUSIVA PARA EL CLIENTE. MOJACK NO SE RESPONSABILIZA POR NINGUNA GARANTÍA IMPLÍCITA, INCLUIDAS LAS GARANTÍAS DE COMERCIALIZACIÓN O ADECUACIÓN PARA UN USO EN PARTICULAR. MOJACK NO SERÁ RESPONSABLE DE NINGÚN DAÑO INCIDENTAL O CONSECUENTE. EN ALGUNOS ESTADOS O PROVINCIAS NO SE PERMITE LA EXCLUSIÓN O LIMITACIÓN DE LAS GARANTÍAS IMPLÍCITAS O LAS SOLUCIONES POR DESVIACIÓN DE LAS GARANTÍAS IMPLÍCITAS, DE MODO QUE ESTAS EXCLUSIONES PODRÍAN NO SER APLICABLES A USTED. ESTA GARANTÍA LIMITADA LE OTORGA DERECHOS LEGALES ESPECÍFICOS, ASIMISMO USTED PUEDE GOZAR DE OTROS DERECHOS, LOS CUALES VARIÁN DE UNA PROVINCIA A OTRA O DE UN ESTADO A OTRO.

¿Qué cubre esta garantía?

Esta garantía cubre las averías derivadas de defectos en materiales o mano de obra, por dos años, contados a partir de la fecha de compra y solamente para el caso de uso doméstico.

¿Qué NO cubre esta garantía?

Esta garantía no cubre ningún equipo MoJack que se haya alterado o ajustado en cualquier forma, respecto del modelo original. No cubrirá ningún equipo MoJack que se haya averiado debido al mal uso, abuso, por accidentes o negligencia. Esta garantía no cubre los daños incidentales o consecuentes.

¿Cuál es el periodo de cobertura?

Garantía de dos años para uso doméstico y de un año para uso comercial, contados a partir de la fecha de compra por parte del propietario original.

¿Qué hará MoJack para corregir los problemas?

Cambiaremos cualquier parte defectuosa (dentro del periodo de cobertura), sin ningún costo.

¿Cómo se puede obtener el servicio?

Con el objetivo de tener derecho a recibir el servicio cubierto por esta garantía, usted DEBE registrar su equipo MoJack en los treinta (30) días posteriores a su compra. Después del periodo de treinta (30) días, usted deberá presentar comprobante de compra (nota) para registrar el producto. **Por favor, registre su elevador MoJack nuevo en nuestro sitio en Internet: www.themojack.com o llamando a nuestra línea telefónica gratuita 1-877-4MO-JACK.**

¿Cómo puedo ponerme en contacto con MoJack para hacer válida la garantía?

Usted puede ponerse en contacto con nosotros a través de nuestro sitio en Internet www.themojack.com o llamando a nuestro número telefónico gratuito 1-877-575-3173.

¿Gozo de otros derechos conforme a la legislación estatal?

Esta garantía le otorga derechos legales específicos, asimismo usted podrá gozar de otros derechos, los cuales varían de un estado a otro.

¿Cuál es la política de devoluciones?

No debe devolver el equipo a la tienda. Póngase en contacto con MoJack para conocer las políticas y procedimientos para las devoluciones a través de nuestra línea directa gratuita 1-877-575-3173 o por el correo electrónico info@themojack.com.

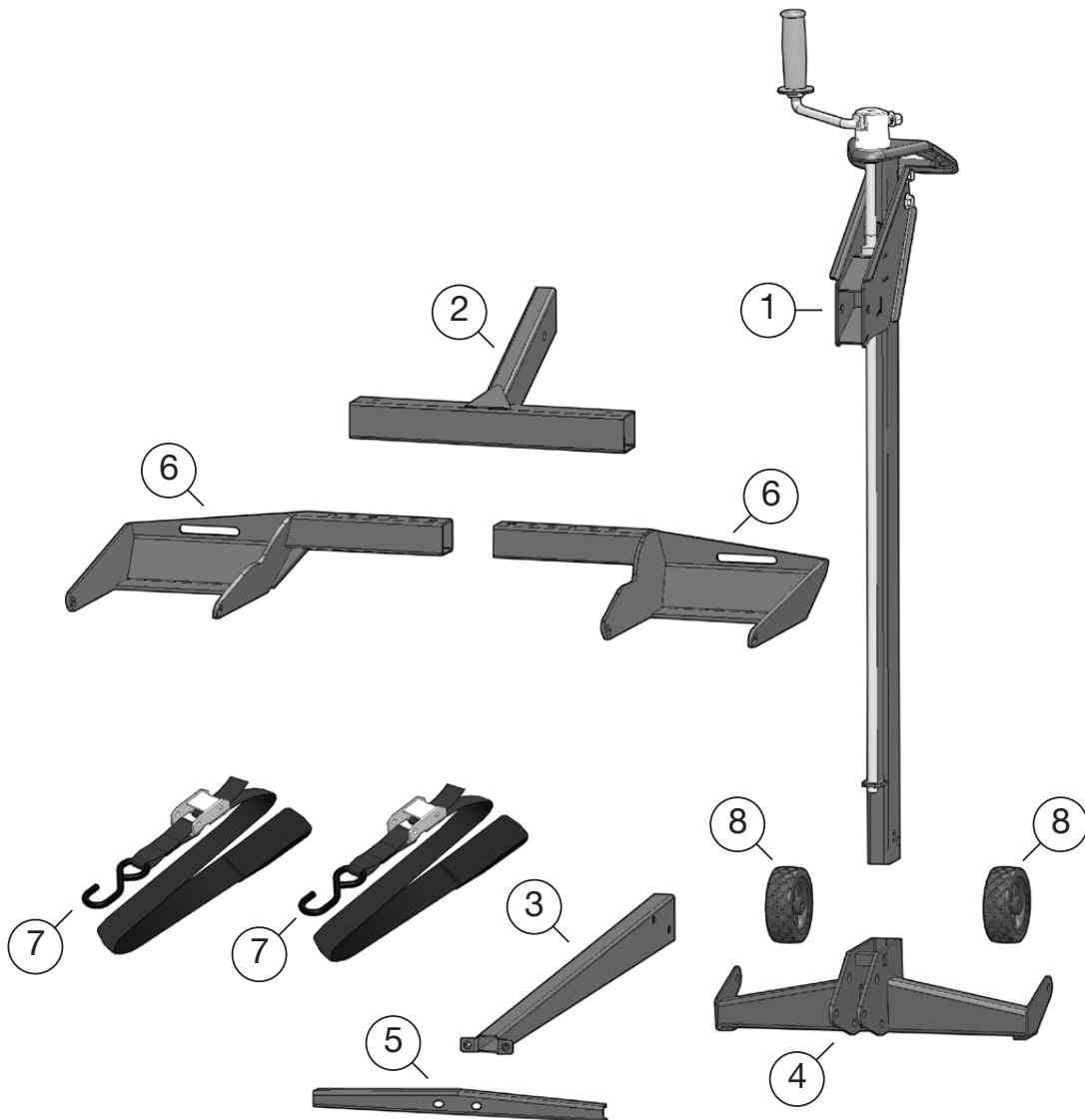
¿Cómo puedo comunicarme con MoJack?

Puede comunicarse a través de nuestra línea telefónica directa 1-877-575-3173 o por el correo electrónico info@themojack.com.

Lista de Partes

Número de artículo	Número de parte	Cantidad	Descripción
①	509-0014	1	Conjunto de la torre
②	509-0026	1	Brazo de carga
③	509-0033	1	Tubo del piso de la base
④	509-0048	1	Base
⑤	509-0036	1	Canal de soporte de la
⑥	509-0039	2	base
⑦	009-0007	2	Plataforma para ruedas
⑧	010-0013	2	Tirante de seguridad

Rueda

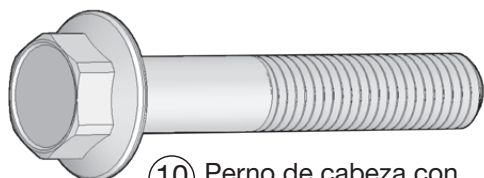


Lista de Herrajes

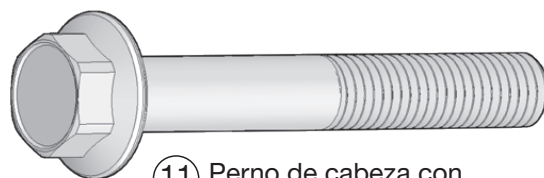
Número de artículo	Número de parte	Cantidad	Descripción
⑨	509-0040	2	Varilla de soporte
⑩	003-0005	2	Perno de cabeza con reborde M10-1.5 X 60
⑪	003-0016	2	Perno de cabeza con reborde M10-1.5 X 65
⑫	003-0007	2	Perno de cabeza con reborde M8-1.25 X 16
⑬	002-0001	4	Contratuerca de nylon con – M10-1.5
⑭	001-0014	4	Arandela - M10
⑮	002-0008	2	Tuerca M10
⑯	001-0013	2	Pasador de empuje
⑰	001-0012	2	Pasador de horquilla
⑱	001-0010	4	Pasador estándar



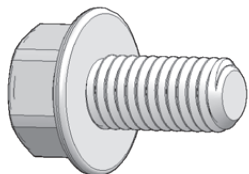
⑨ Varilla de soporte



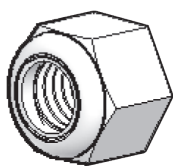
⑩ Perno de cabeza con reborde M10-1.5 X 60



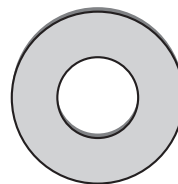
⑪ Perno de cabeza con reborde M10-1.5 X 65



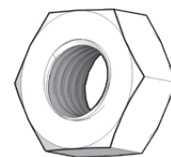
⑫ Perno de cabeza con reborde M8-1.25 X 16



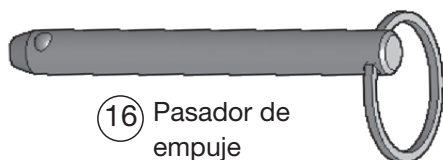
⑬ Contratuerca de nylon con – M10-1.5



⑭ Arandela - M10



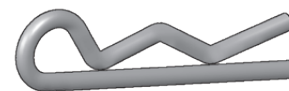
⑮ Tuerca M10



⑯ Pasador de empuje

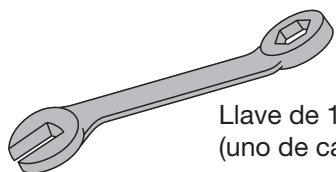


⑰ Pasador de horquilla

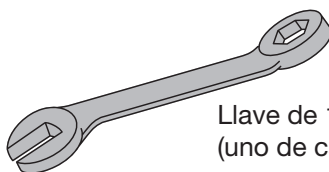


⑱ Pasador estándar

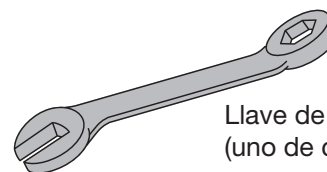
Herramientas Necesarias para el Montaje (no incluidas)



Llave de 17 mm
(uno de cada una)



Llave de 13 mm
(uno de cada una)



Llave de 12 mm
(uno de cada una)

Instrucciones de Ensamblado

PASO 1

Saque el equipo elevador del empaque.

Revise la lista de partes para asegurarse de que se encuentren todos los herrajes y piezas. Si faltan piezas o herrajes, póngase en contacto con MoJack llamando al 1-877-575-3173 o escribanos al correo electrónico parts@themojack.com.

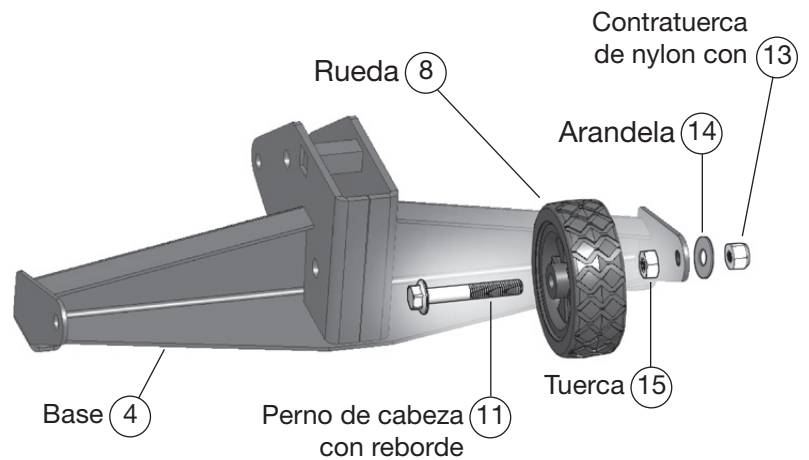


PASO 2

Montar la rueda (8) a la Base (4) mediante la inserción de pernos de la brida (11) a través de la rueda y enhebrar la tuerca (15). Inserte pernos de la brida a través de la Base, agregue la arandela (14) y asegure con Contratuerca de nylon con (13).

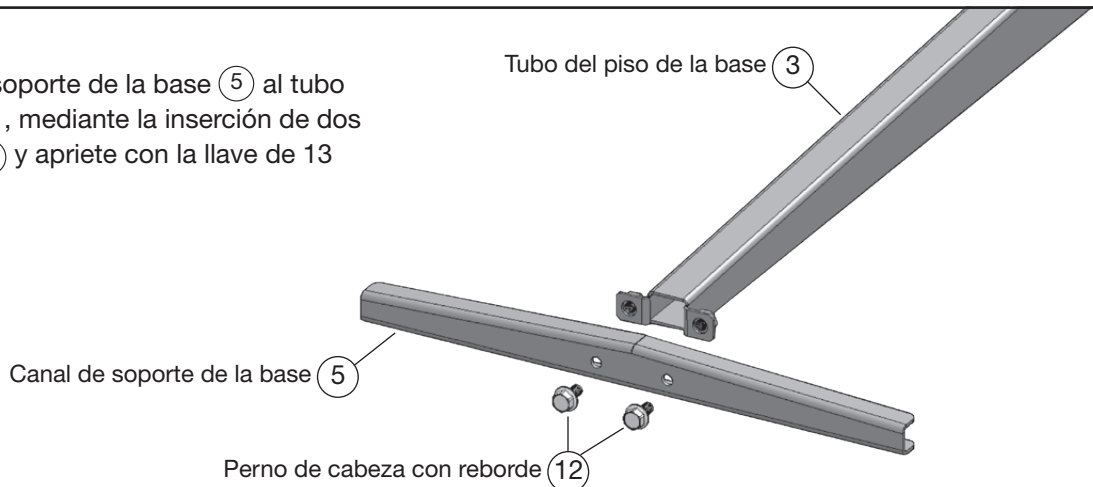
Repita el procedimiento con la segunda rueda.

Nota: No apriete demasiado la tuerca Nylock.



PASO 3

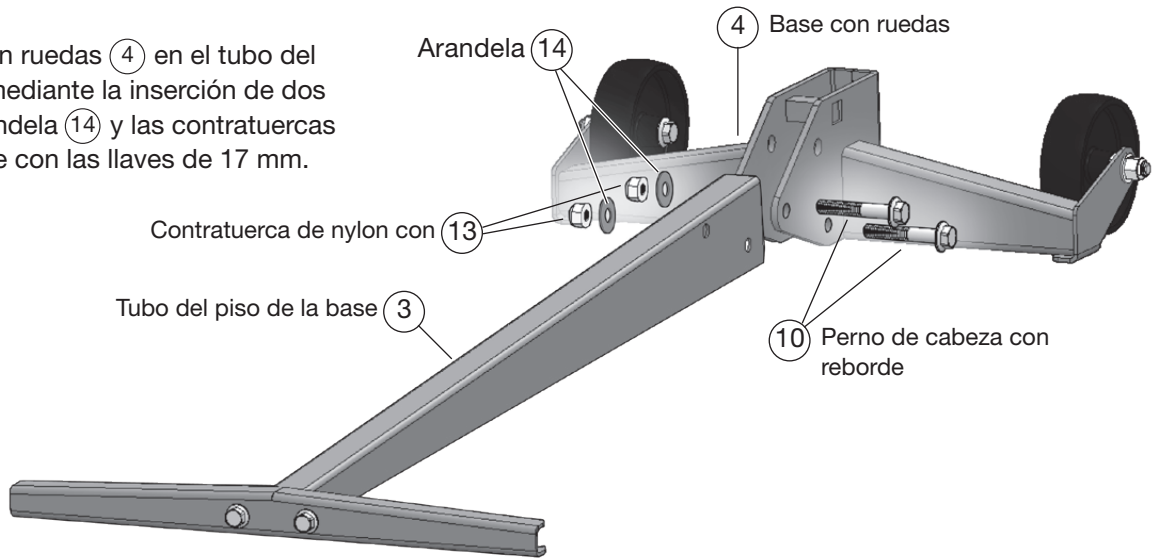
Ensamble el canal de soporte de la base (5) al tubo del piso de la base (3), mediante la inserción de dos pernos con reborde (12) y apriete con la llave de 13 mm.



Instrucciones de Ensamblado

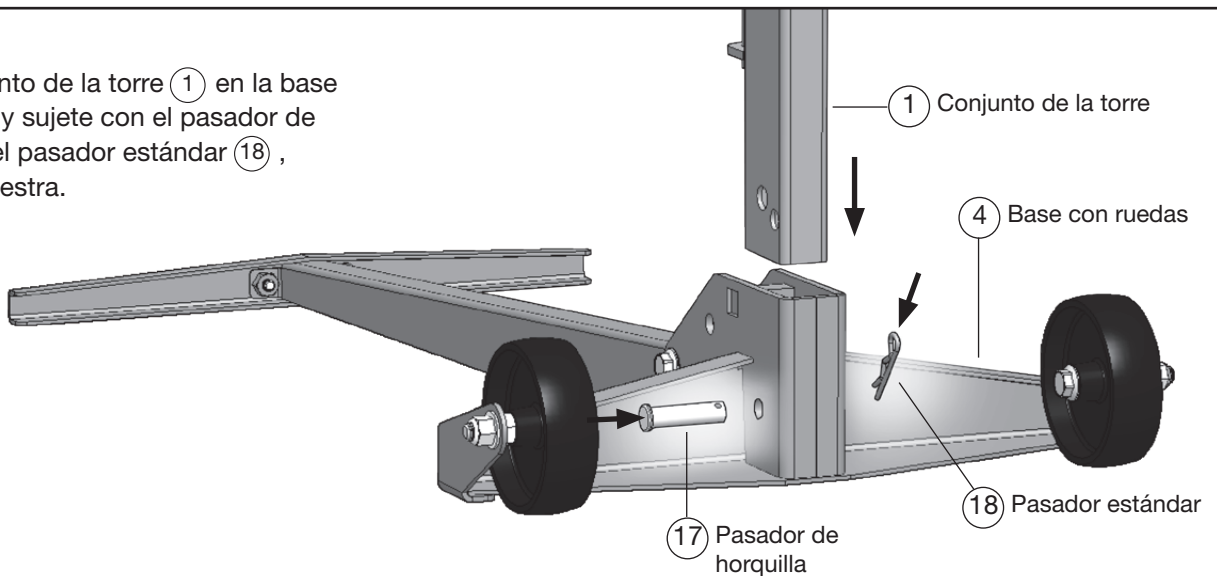
PASO 4

Ensamble la base con ruedas (4) en el tubo del piso de la base (3) mediante la inserción de dos pernos con (10), Arandela (14) y las contratuercas de nylon (13) y apriete con las llaves de 17 mm.



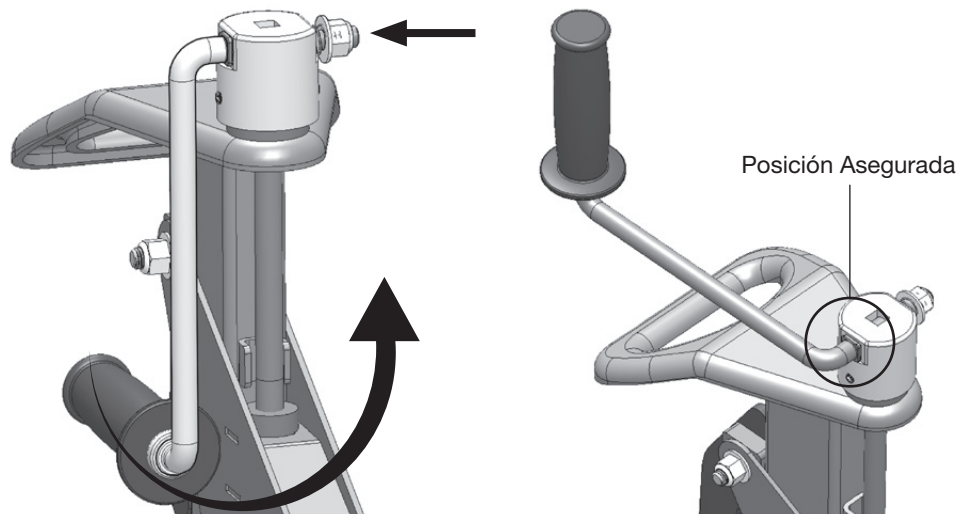
PASO 5

Inserte el conjunto de la torre (1) en la base con ruedas (4) y sujete con el pasador de horquilla (17) y el pasador estándar (18), tal como se muestra.



PASO 6

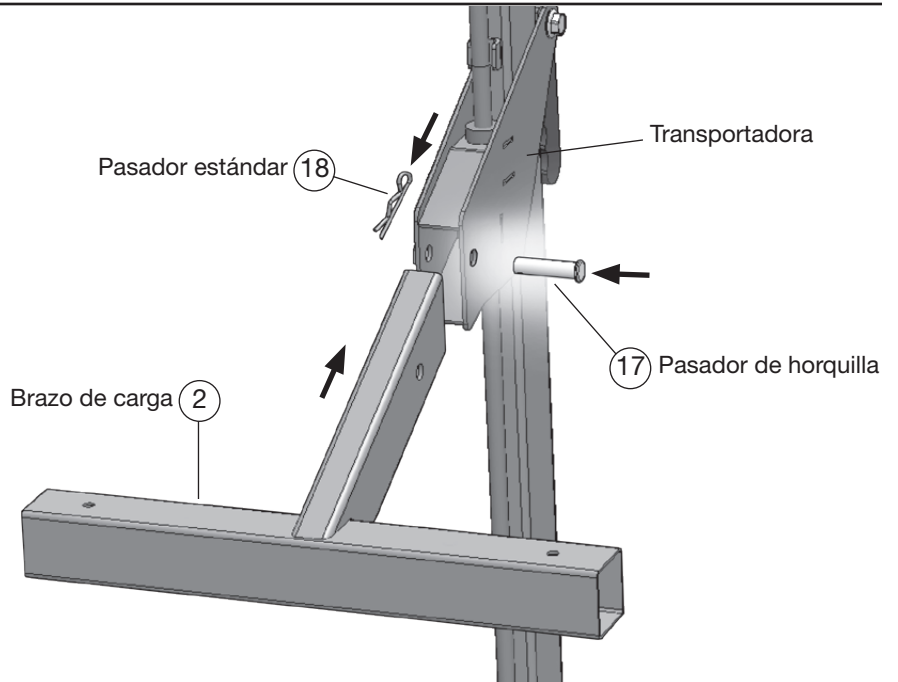
Empuje en el lado de la manija y gire desde la posición de almacenamiento hasta la posición de operación. Permita que se asiente en la posición asegurada.



Instrucciones de Ensamblado

PASO 7

Inserte el brazo de carga (2) dentro de la transportadora e inserte el pasador de horquilla (17) a través del orificio en la transportadora y asegure sujetando el pasador estándar (18) en el pasador de horquilla.

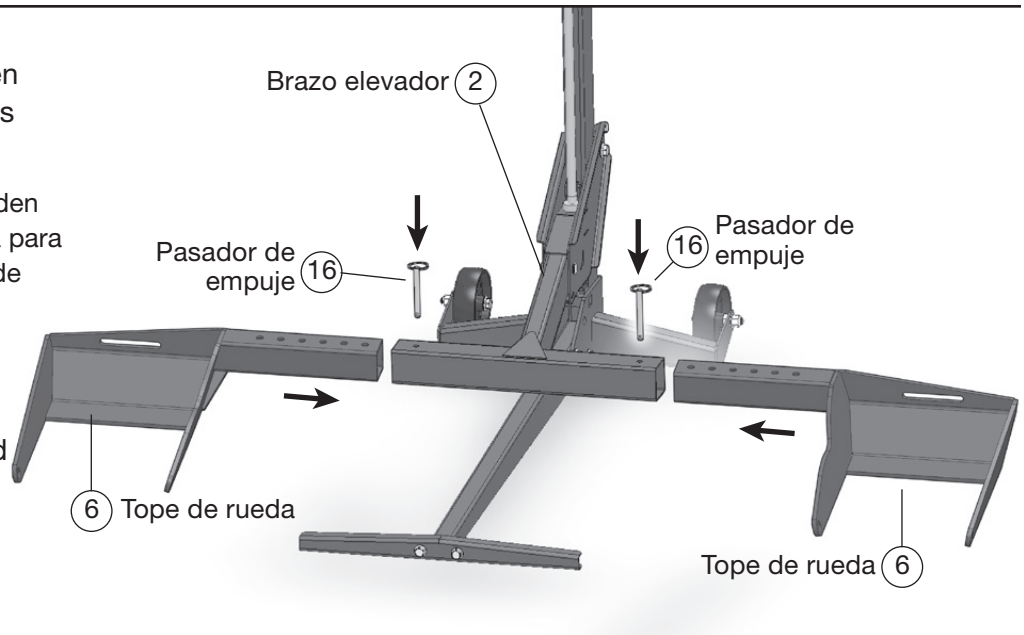


PASO 8

Deslice los topes de rueda (6) en el brazo elevador (2). Inserte los pasadores de empuje (16).

NOTA: Los topes de rueda se pueden mover hacia adentro o hacia afuera para adaptarse a los distintos tamaños de podadora. Utilice la configuración que funcione mejor con su modelo de podadora.

NOTA: Las correas de seguridad deben ser usadas durante el funcionamiento (véase el paso 9 de las instrucciones de funcionamiento).



ADVERTENCIA: las pastillas de las ruedas deben estar a la misma distancia del brazo de elevación para mantener el equilibrio adecuado. Para obtener información adicional, consulte el paso 6 de las Instrucciones de funcionamiento.

ESTO COMPLETA EL MONTAJE.

Instrucciones de Operación

Algunos pasos de las instrucciones de operación se repiten a partir de las instrucciones de montaje. Las instrucciones de operación mostrarán cómo operar el equipo elevador, muestran cómo preparar el equipo elevador para almacenarlo y cómo hacer pasar el equipo de la posición de almacenaje a la de trabajo.



⚠ Antes de usar el equipo elevador, lea este manual con cuidado y por completo.

Instrucciones de Operación

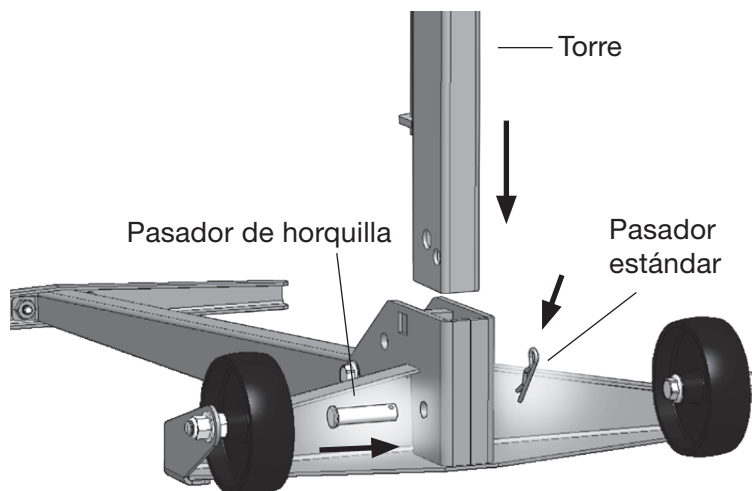
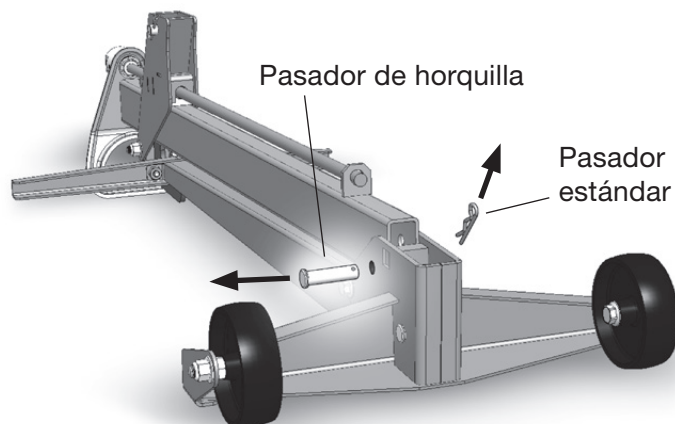
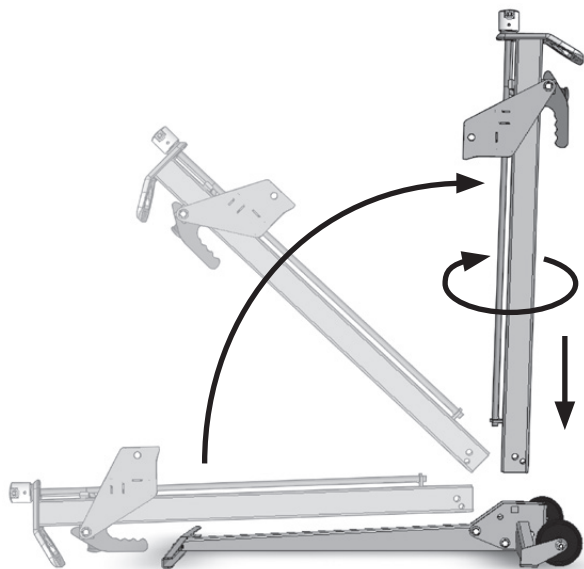
Preparación del elevador para el uso (pasos 1 – 7)

PASO 1

Despliegue el ascensor del cortacésped

(si no aplica , vaya al paso 2)

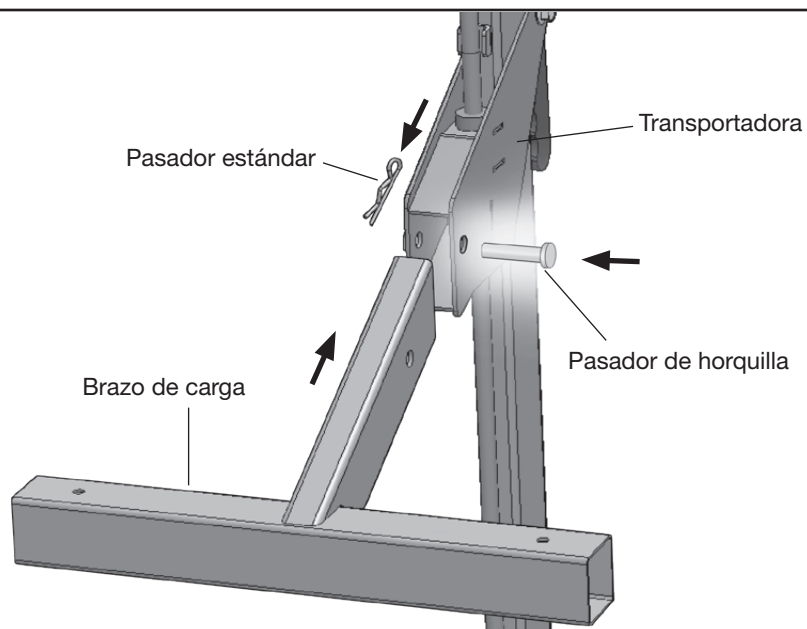
- Retire la horquilla y el pasador de la estructura de la rueda.
- Retire la torre de la estructura de la rueda.
- Gire la torre 180 grados e inserte en la estructura de la rueda.
- Asegure la torre a la estructura de la rueda insertando la horquilla y el pasador.



PASO 2

Instalar Brazo de Carga

- Inserte el brazo de carga dentro de la transportadora e inserte el pasador de horquilla a través del orificio en la transportadora y asegure sujetando el pasador estándar en el pasador de horquilla.

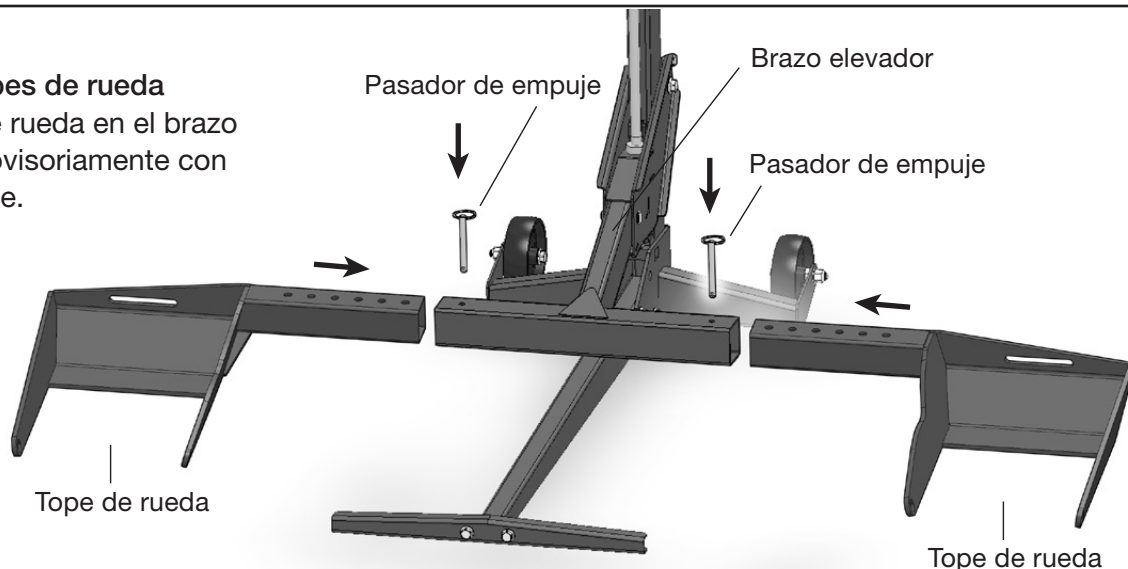


Instrucciones de Operación

PASO 3

Instalación de los topes de rueda

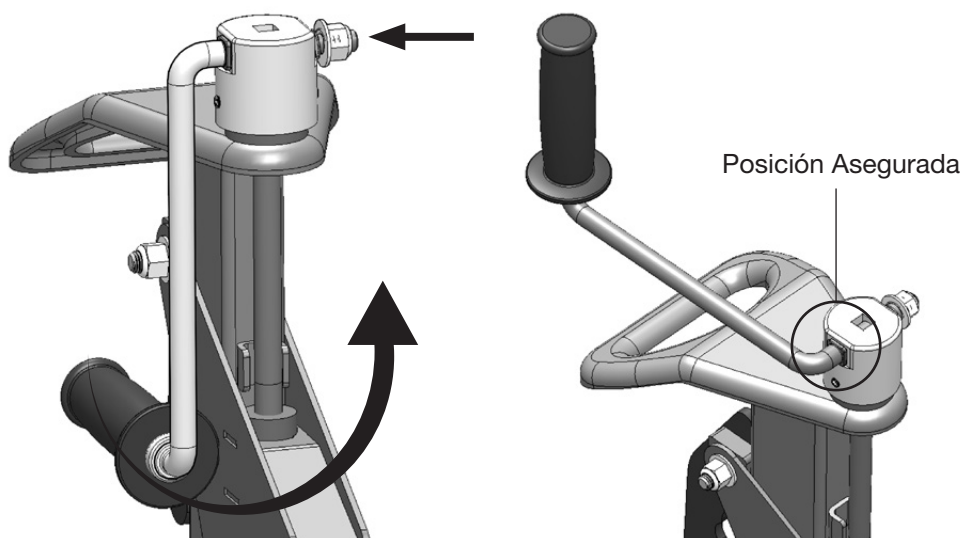
- Deslice los topes de rueda en el brazo elevador y fíjelos provisoriamente con pasadores de empuje.



PASO 4

Preparación de la manija

- Empuje en el lado de la manija y gire desde la posición de almacenamiento hasta la posición de operación. Permita que se asiente en la posición asegurada.



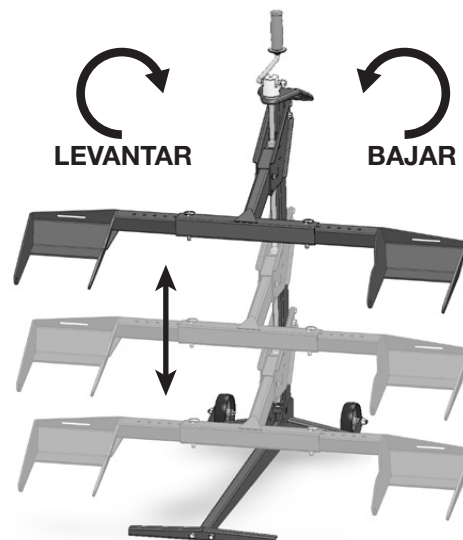
PASO 5

Familiarícese con el equipo

- ⚠ Asegúrese de que el conjunto de la torre se encuentre insertado completamente y asegurado con pasadores dentro de la base, antes de elevar su podadora.

- Practique haciendo ascender y descender el brazo de carga, antes de intentar cargar la podadora (véase los pasos 10 al 13, acerca de cómo hacer ascender y descender el brazo de carga).
- Practique el Paso 15 si intenta hacer ascender o descender la podadora con el accesorio de taladro.

NOTA: La manija de bloqueo de la transportadora debe liberarse para bajar la unidad.



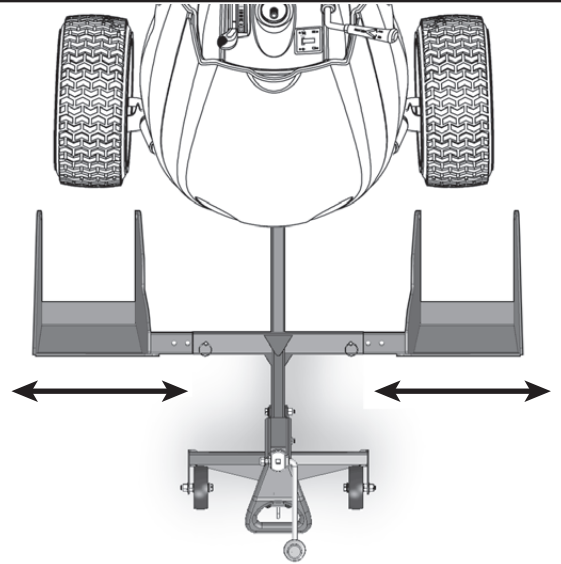
Instrucciones de Operación

PASO 6

Alineación de las plataformas para la rueda de modo que se ajusten a la podadora

- Coloque las llantas delanteras de la podadora 6 pulgadas frente a las plataformas para las llantas.
- Retire los pasadores de empuje y alinee las plataformas para las ruedas, de modo que las llantas delanteras se encuentren centradas sobre las plataformas para las ruedas.
- Vuelva a colocar los pasadores de empuje para bloquear las plataformas para las ruedas en el brazo de carga.

⚠ Las plataformas para las ruedas deben estar a la misma distancia respecto del brazo de carga, para mantener un equilibrio adecuado.

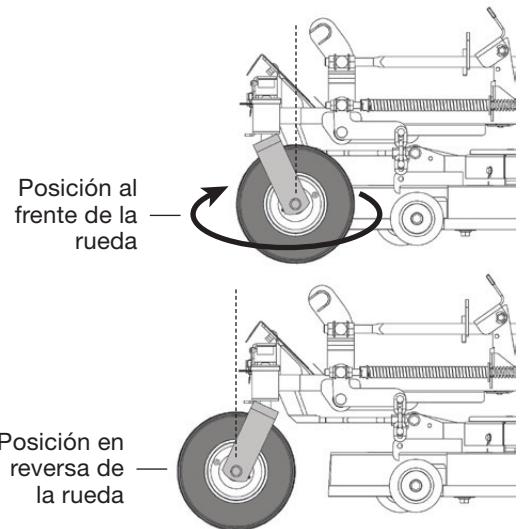


PASO 7

Invierta las llantas delanteras de la podadora ZTR (opcional, si no corresponde salte al Paso 8)

En algunos casos, la plataforma de la podadora o las ruedas a prueba de fisuras golpearán el brazo de carga mientras se eleva la podadora. Esto sucede frecuentemente si la parte delantera de la plataforma (incluidas las ruedas a prueba de fisuras) sobresale y pasa de la posición de las ruedas delanteras en la línea central de la podadora. Si esto sucede:

- Gire 180° las ruedas delanteras, de modo que se encuentren en posición invertida.
- Deslice el equipo elevador lo más cerca posible de las ruedas.



Utilización del elevador (pasos 8 a 15)

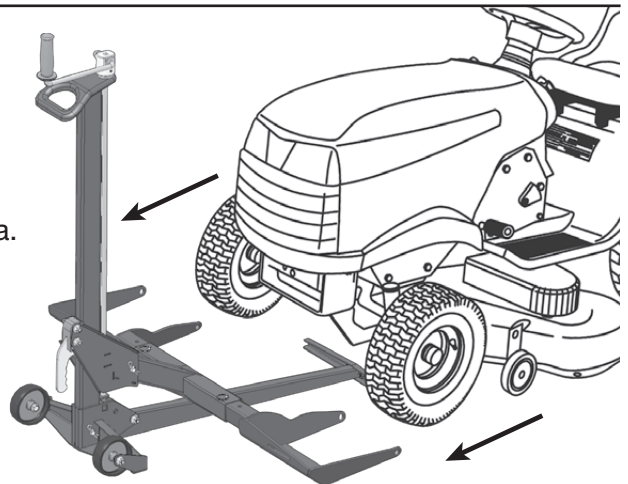
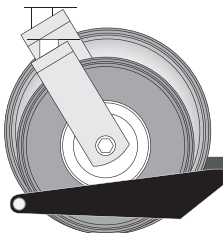
PASO 8

Traslado de la podadora hacia el elevador

- ⚠** El elevador se debe utilizar sobre una superficie sólida y nivelada.
- Conduzca o haga rodar la podadora hasta los topes de rueda.
- ⚠** Detenga el motor y extraiga la llave.

NOTA: Las pastillas de las ruedas se ajustan a ruedas de 25cm-43cm (10"-17").

⚠ No apto para utilizar con ruedas de más de 43cm (17") de tamaño.



Instrucciones de Operación

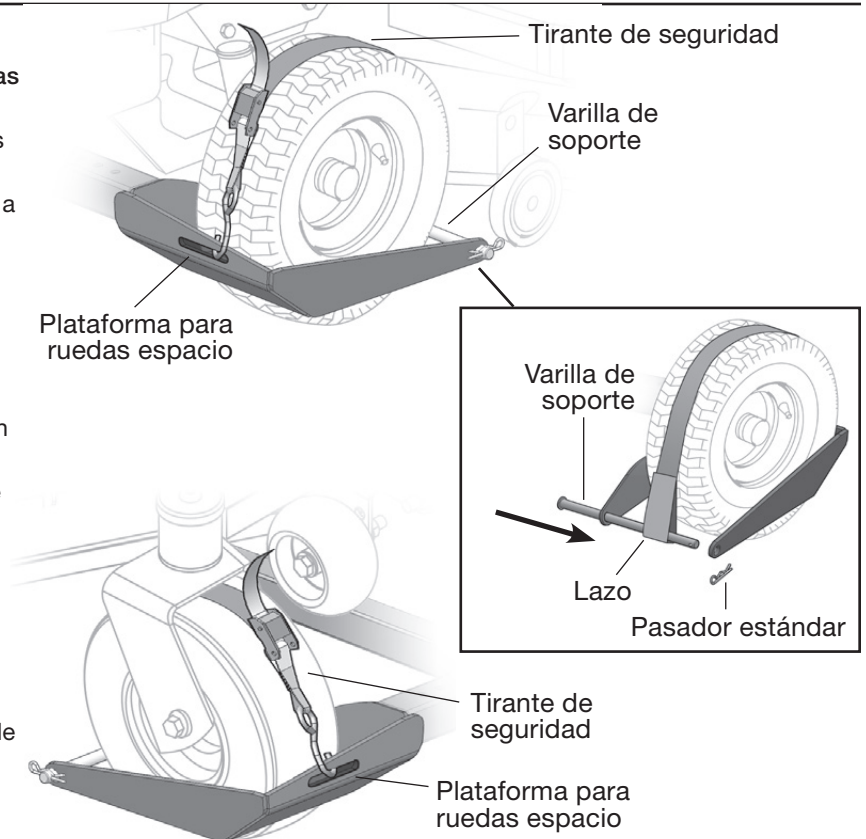
PASO 9

Enlace de las ruedas frontales de la cortacésped a las pastillas de las ruedas

- Asegurar las llantas frontales de la cortacésped a las pastillas de las ruedas utilizando las correas de seguridad. Fije el gancho de la correa de seguridad a la ranura de la pastilla de la rueda. Siempre asegure las llantas frontales con las correas de seguridad adjuntas. El gancho de la correa de seguridad siempre debe estar mirando hacia arriba.
- Extienda la correa de seguridad en la parte superior de la llanta.
- Inserte la barra de soporte de la rueda a través de un agujero en la plataforma de la rueda, a través del bucle de la correa de seguridad y por el otro lado de la pastilla de la rueda. Asegure con la horquilla grande.
- Apriete la hebilla de metal y tire del extremo de la correa para apretar las correas de seguridad en la parte superior de los neumáticos para asegurar la cortacésped a las pastillas de las ruedas.

NOTA: Inspeccione la correa de seguridad en busca de desgaste antes de cada uso.

⚠ Sujete siempre los neumáticos segadoras frontales con incluidas las correas.

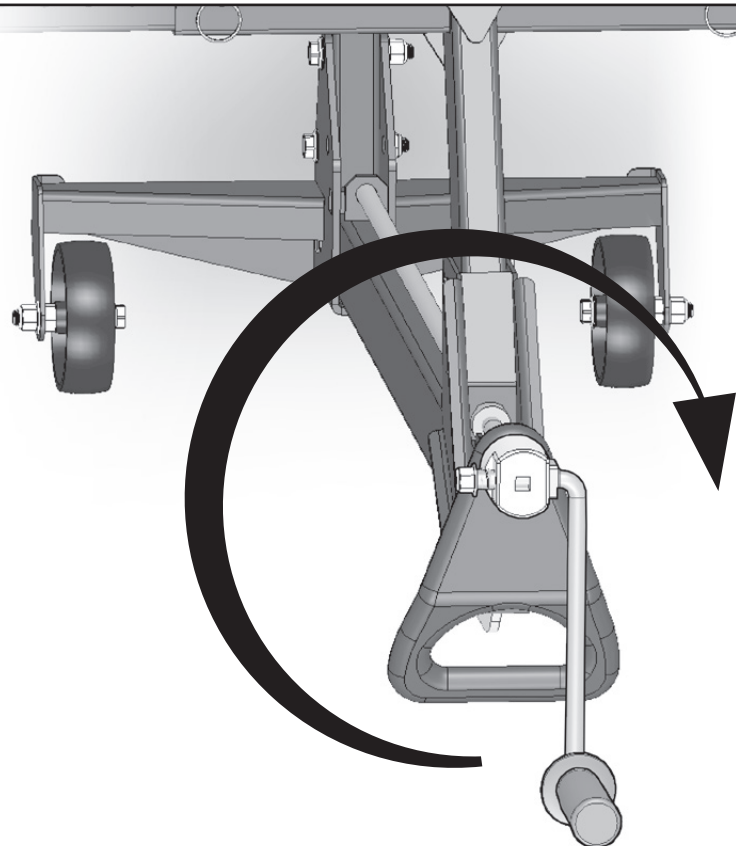


PASO 10

Elevación de la podadora

- Eleve la podadora haciendo girar la palanca de manivela hacia la derecha.
- Véase el paso 15 para hacer ascender la podadora con el accesorio de taladro.

- ⚠** No intente cargar un peso de más de 226 kilos en el extremo delantero.
- ⚠** El equipo elevador debe usarse en una superficie de servicio sólida y nivelada.
- ⚠** Debe apagarse el motor y quitar la llave.
- ⚠** La podadora debe colocarse en neutral o desenganchar la transmisión hidráulica.
- ⚠** Durante este paso debe liberarse el freno de estacionamiento.
- ⚠** Los tirantes de seguridad deben apretarse con firmeza para sostener las llantas en las plataformas correspondientes.



Instrucciones de Operación

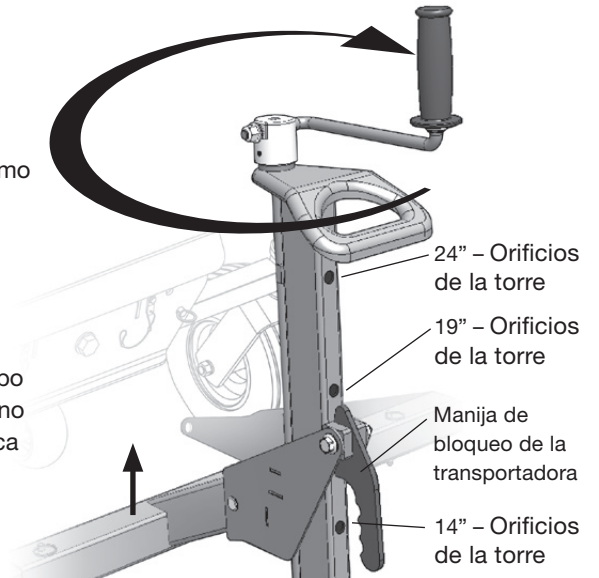
PASO 11

Elevación del brazo de carga hasta la posición de aseguramiento

- Eleve el brazo de carga hasta que la manija de bloqueo de la transportadora caiga dentro de uno de los dos orificios de la torre.
- El bloqueo Carrier Manija automáticamente cae en los agujeros de la torre como el portador pasa los agujeros de la torre cuando se levantan. Acoplamiento de bloqueo se produce a los 14", 19" y 24".

NOTA: Cuando haga descender el brazo de carga, el operador debe sostener afuera la manija de aseguramiento, hasta que pase el orificio inferior de la torre.

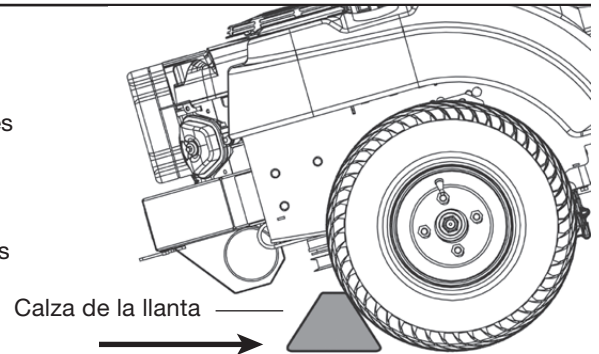
NOTA: El equipo elevador está equipado con un embrague que protege al equipo contra cualquier daño accidental. Si la manija de bloqueo de la transportadora no está desenganchada cuando se hace descender, el embrague liberará la palanca de manivela del tornillo, para que gire libremente. Para volver a enganchar la palanca de manivela, hágala girar unas cuantas vueltas hacia la derecha.



PASO 12

Preparación de la podadora para darle servicio

- Coloque las calzas de las llantas (no incluidas) detrás de las llantas posteriores de la podadora.
- Accione el freno de estacionamiento en la podadora.
- La manija de bloqueo de la transportadora debe asegurarse en uno de los dos orificios de la torre.

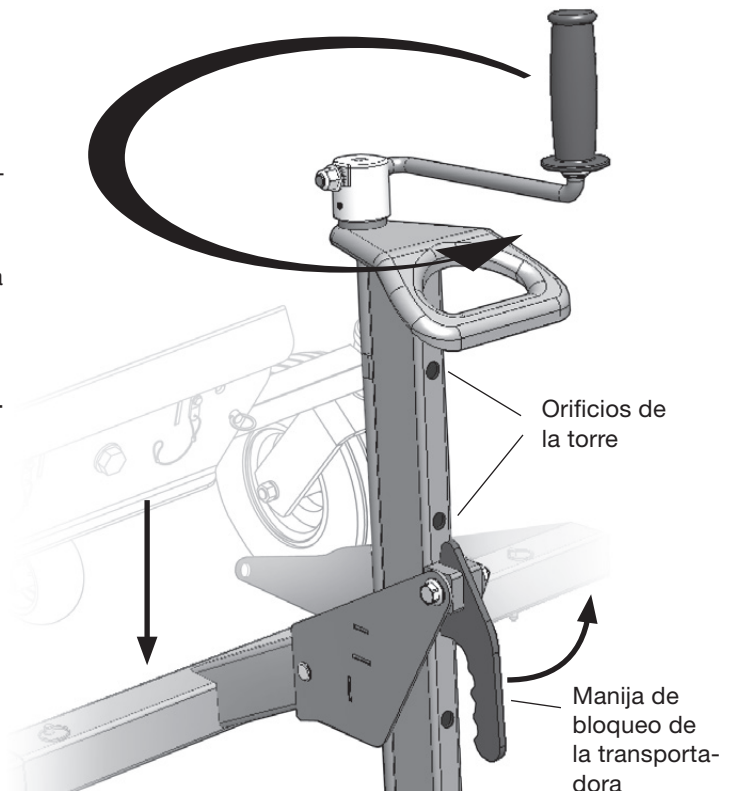


PASO 13

Bajar la podadora

- Retire los frenos de las llantas.
- Libere el freno de estacionamiento.
- La podadora debe colocarse en neutral o desenganchar la transmisión hidráulica.
- Tire y mantenga fuera la manija de aseguramiento de la transportadora y gire la palanca de la manivela hacia la derecha hasta que las plataformas de las llantas se encuentren soportadas con firmeza sobre el suelo. **Debe tirar hacia fuera la manija de aseguramiento de la transportadora hasta que pase el orificio inferior de la torre. Puede ser necesario elevar ligeramente la transportadora, para permitir que se pueda tirar hacia fuera la manija de aseguramiento de la transportadora.**

NOTA: El equipo elevador está equipado con un embrague que protege al equipo contra cualquier daño accidental. Si la manija de bloqueo de la transportadora no está desenganchada cuando se hace descender, el embrague liberará la palanca de manivela del tornillo, para que gire libremente. Para volver a enganchar la palanca de manivela, hágala girar unas cuantas vueltas hacia la derecha.

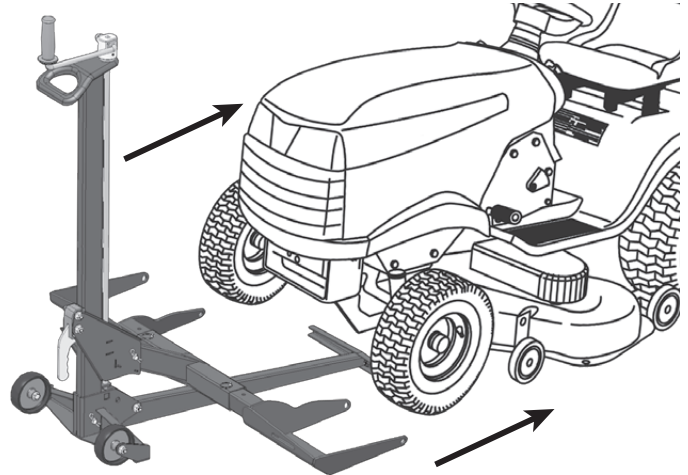


Instrucciones de Operación

PASO 14

Retirar la podadora del equipo elevador

- Quite los tirantes de seguridad de las llantas delanteras de la podadora.
- Conduzca o ruede la podadora fuera de las plataformas para las llantas.



PASO 15

Elevación del equipo elevador con un taladro eléctrico (opcional, no se incluye el taladro eléctrico)

El equipo elevador puede hacerse ascender o descender por medio de un taladro eléctrico de velocidad variable (con un mínimo de 7 amperios) o un taladro inalámbrico de velocidad variable (con un mínimo de 18 voltios). El taladro requiere un dado guía cuadrado de 3/8" de pulgada (no incluido).

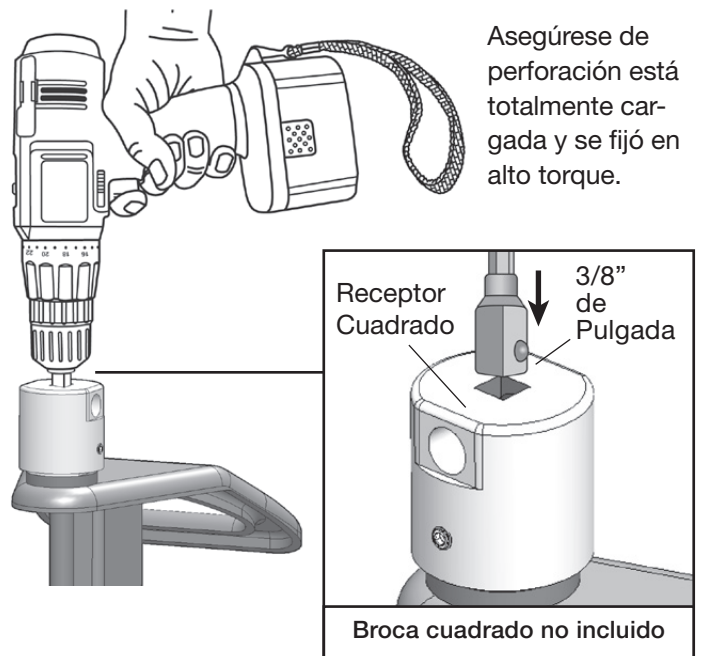
- Quite la palanca de manivela retirando la contratuerca de nylon y el resorte, usando la llave de 13 mm. Después de haber retirado la palanca de manivela, vuelva a unir el resorte y la contratuerca de nylon a la palanca de manivela, para evitar que se pierdan.
- Inserte con firmeza el dado cuadrado de 3/8" de pulgada en el receptor cuadrado. Accione el taladro hacia adelante (a la derecha) para elevar el brazo de carga y acciónelo en reversa (a la izquierda) para hacer descender el brazo de carga.
- Debe tirar manualmente hacia fuera de la manija de aseguramiento de la transportadora, mientras hace descender el equipo, hasta que pase el orificio inferior de la torre.

⚠ El operador debe tener sujetado el dado con firmeza, antes de hacer ascender o descender el brazo de carga.

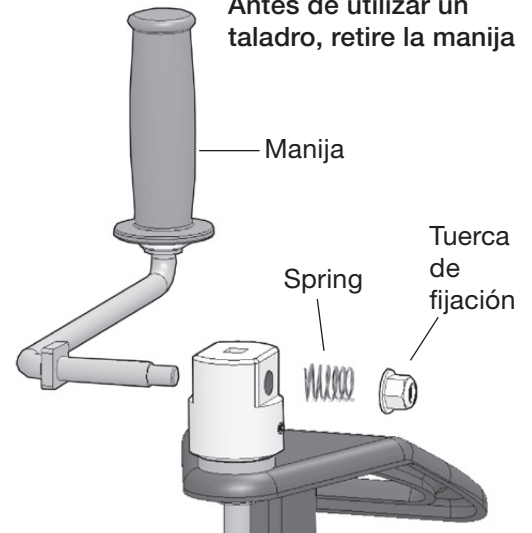
NOTA: La palanca de manivela se debe quitar para poder usar el accesorio de taladro.

Siga el resto de las instrucciones de operación cuando use el accesorio de taladro. Vuelva a colocar la palanca de manivela como sea necesario para usarlo en el futuro.

NOTA: Cuando vuelva a ensamblar la manija, tenga cuidado de no apretar excesivamente la contratuerca de nylon contra el resorte. Debe haber espacio libre suficiente para poder empujar la manija, de modo que se mueva de la posición de almacenamiento a la de trabajo.



Antes de utilizar un taladro, retire la manija



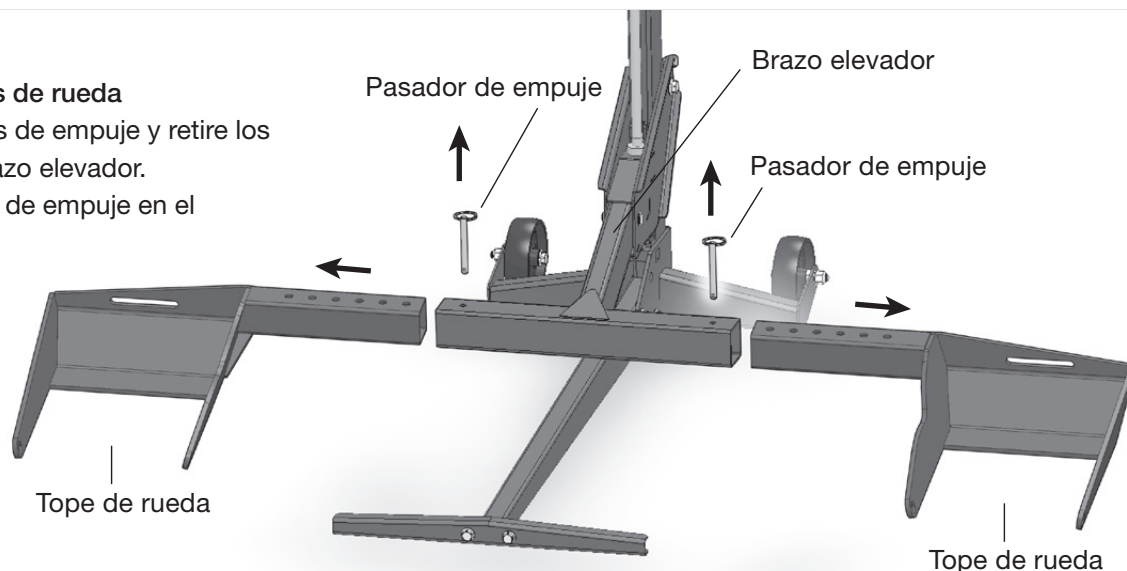
Instrucciones de Operación

Preparación del equipo elevador para su almacenamiento (Pasos 16 al 20)

PASO 16

Extracción de los topes de rueda

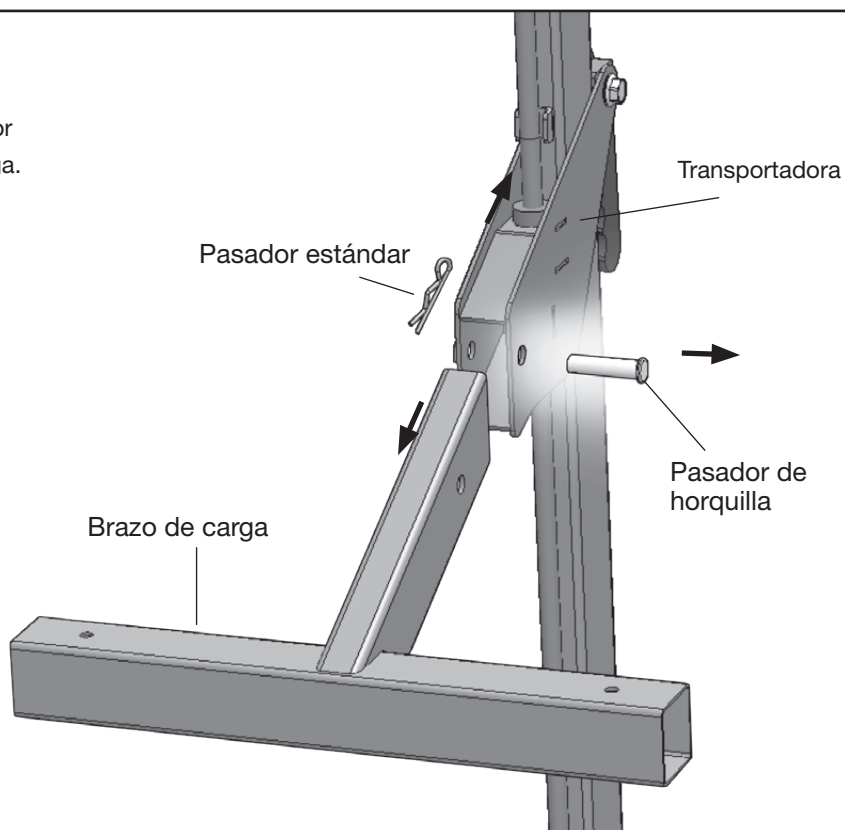
- Extraiga los pasadores de empuje y retire los topes de rueda del brazo elevador.
- Guarde los pasadores de empuje en el brazo elevador.



PASO 17

Retiro del brazo de carga

- Mientras sostiene el brazo de carga, quite el pasador estándar y el pasador de horquilla del brazo de carga.
- Deslice el brazo de carga hacia fuera de la transportadora.
- Guarde el pasador estándar y el pasador de horquilla en el brazo de carga, para evitar que se pierdan.

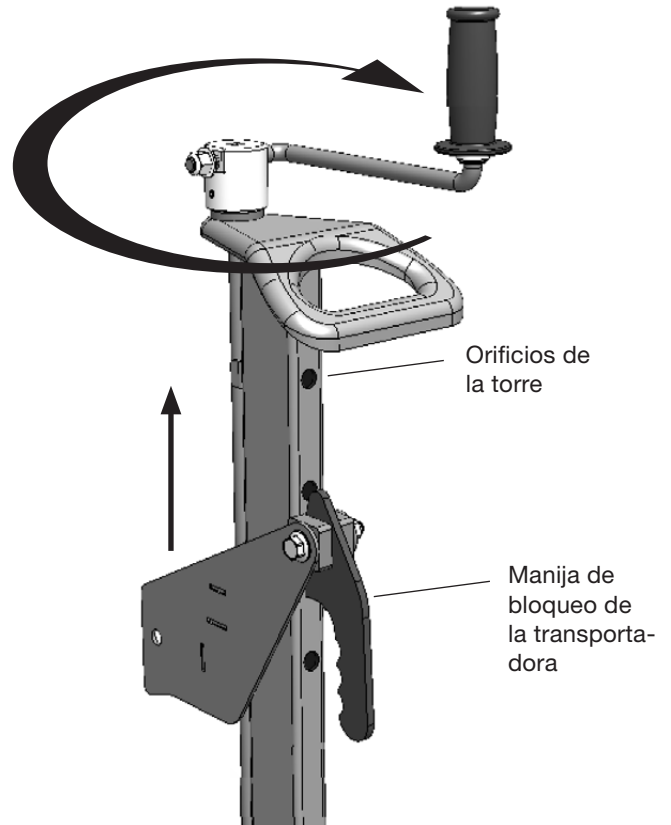


Instrucciones de Operación

PASO 18

Elevación de la transportadora

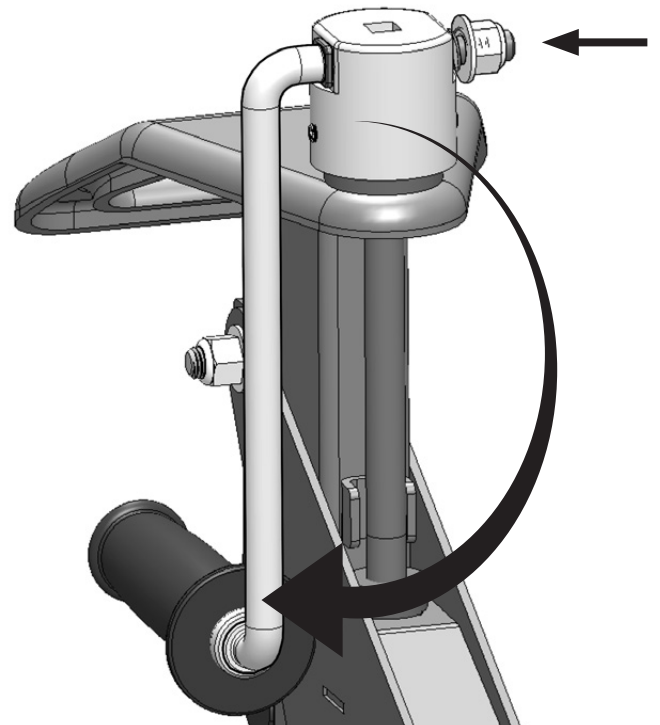
- Eleve la transportadora haciendo girar la palanca de manivela hacia la derecha, hasta que la manija de aseguramiento de la transportadora caiga dentro del orificio de la torre.



PASO 19

Girar la palanca de manivela hasta la posición de almacenamiento

- Empuje en el lado de la manija y gire desde la posición de operación hasta la posición de almacenamiento. Permita que se asiente en la posición asegurada.

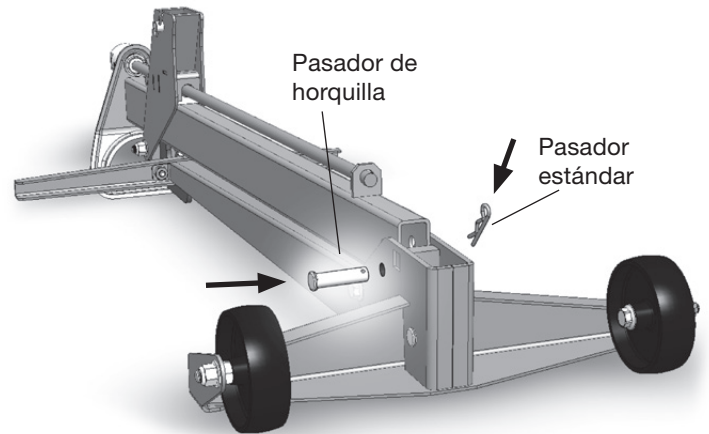
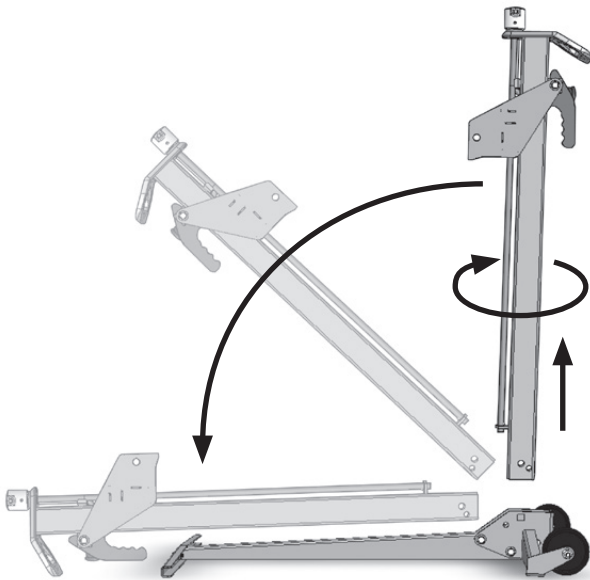
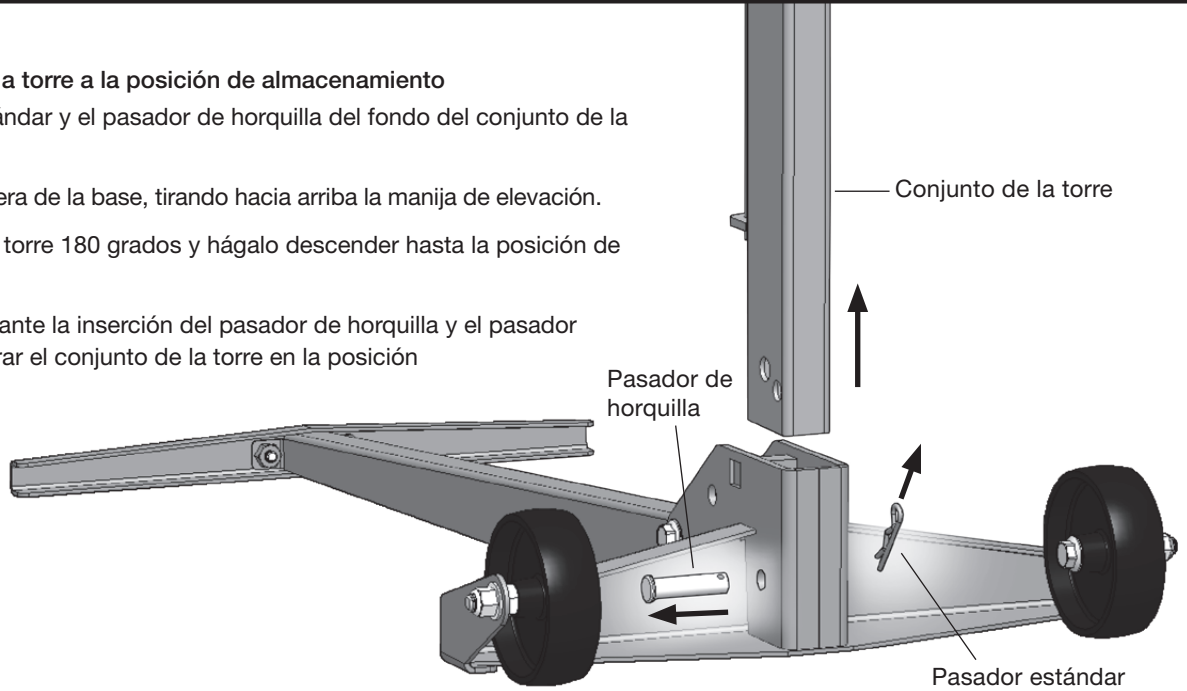


Instrucciones de Operación

PASO 20

Mueva el conjunto de la torre a la posición de almacenamiento

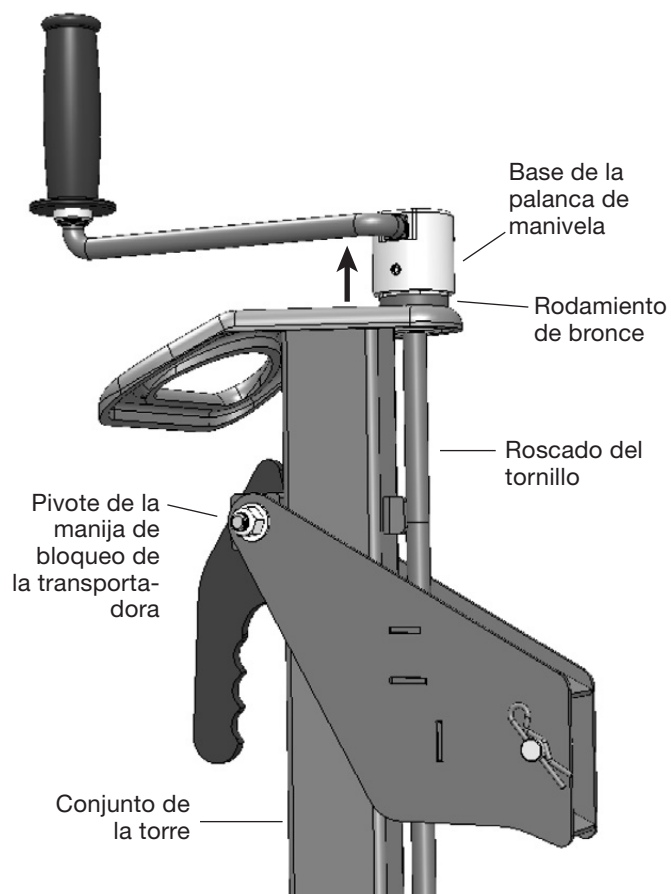
- Retire el pasador estándar y el pasador de horquilla del fondo del conjunto de la torre.
- Eleve la torre hacia fuera de la base, tirando hacia arriba la manija de elevación.
- Gire el conjunto de la torre 180 grados y hágalo descender hasta la posición de almacenamiento.
- Asegure la torre mediante la inserción del pasador de horquilla y el pasador estándar, para asegurar el conjunto de la torre en la posición de almacenamiento.



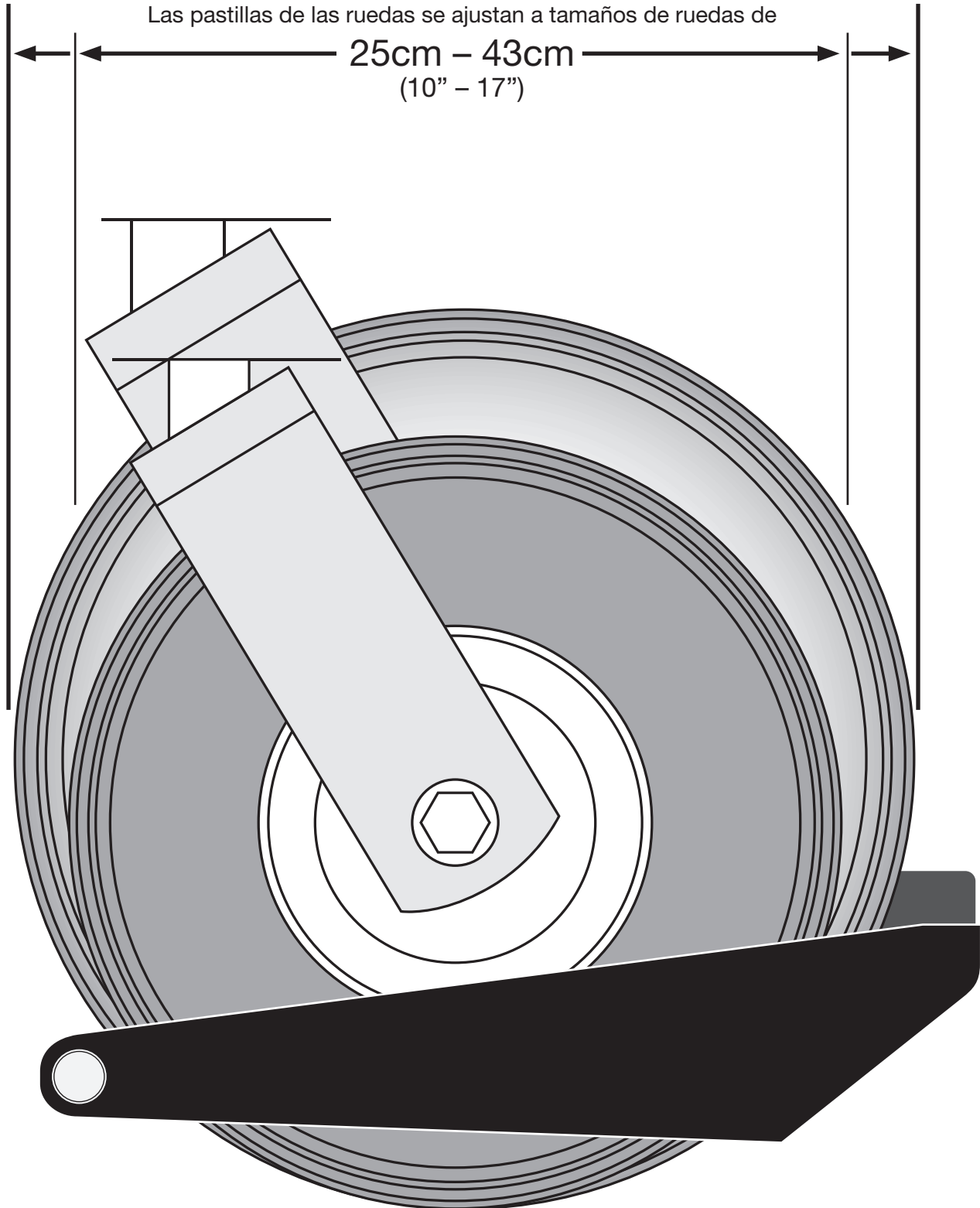
EL EQUIPO ELEVADOR ESTÁ LISTO AHORA PARA TRANSPORTARSE O ALMACENARSE.

Programa de Mantenimiento

- Antes de cada uso, revise siempre que no haya ningún desgaste, piezas sueltas o dañadas en el equipo elevador. Si se detectan partes dañadas, no use el equipo elevador y póngase en contacto con MoJack a través de la línea directa 1-877-575-3173.
- Limpie y lubrique completamente el roscado del tornillo después de cada cincuenta (50) usos, o por lo menos una vez al año, usando aceite ligero para máquinas.
- Coloque grasa de litio entre la base de la palanca de manivela y el rodamiento de bronce, después de cada cincuenta (50) usos o una vez al año. Sin peso sobre la transportadora, haga ascender la palanca de manivela, para crear un hueco pequeño entre el rodamiento de bronce y la base de la palanca de manivela. Use un cepillo pequeño para aplicar grasa de litio entre las dos superficies.
- Rocíe grasa o lubricante en el pivote de la manija de aseguramiento de la transportadora, después de cada cincuenta (50) usos o al menos una vez al año.
- Limpie y aplique un poco de grasa al frente y atrás del conjunto de la torre, después de cada cincuenta (50) usos o al menos una vez al año.



Tamaños de las Llantas compatibles



No debe utilizarse con neumáticos de más de 43 cm (17 ") de tamaño



Make it Happen. Make it MoJack.™

www.theMoJack.com

1-877-575-3173