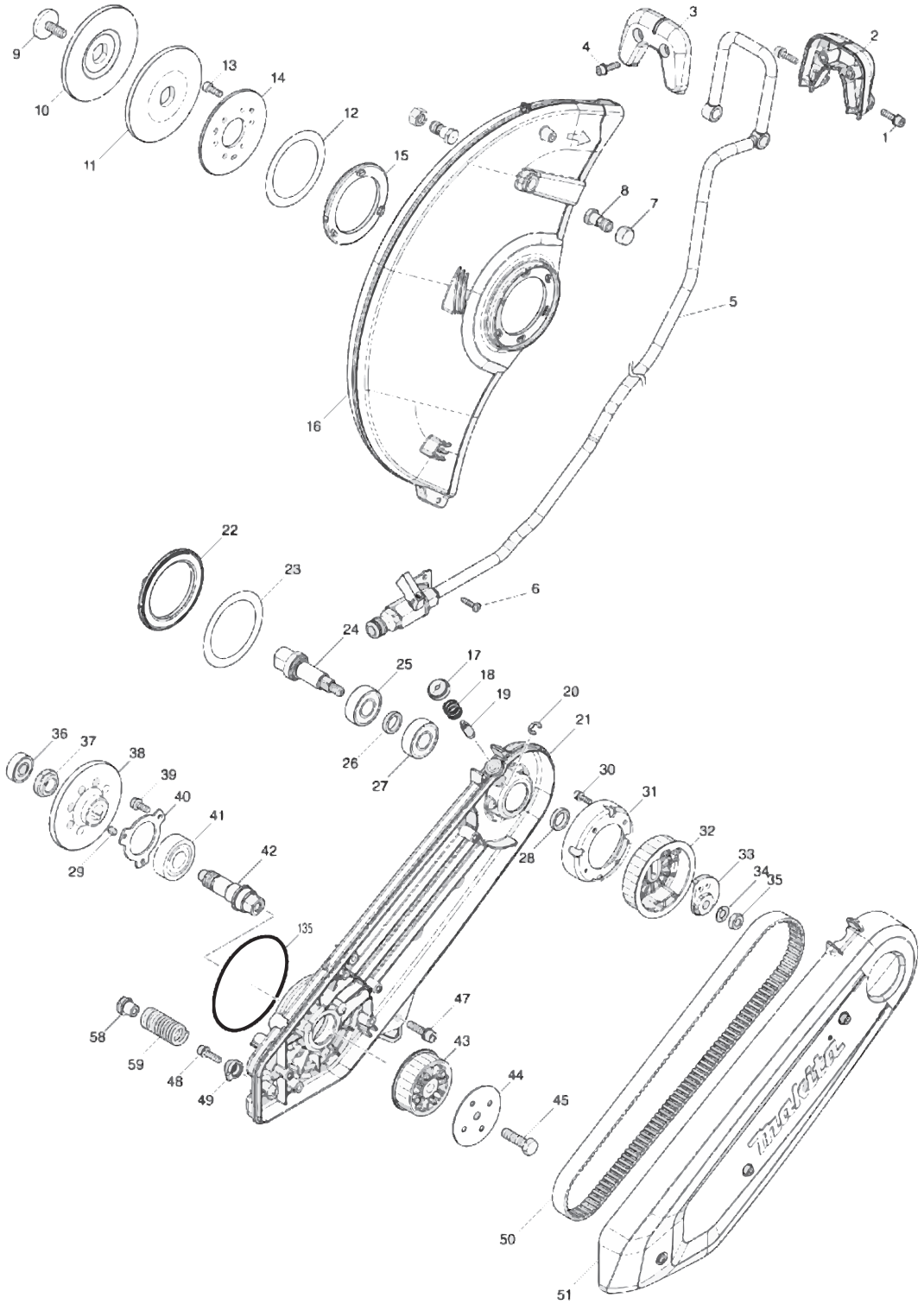




GEC01

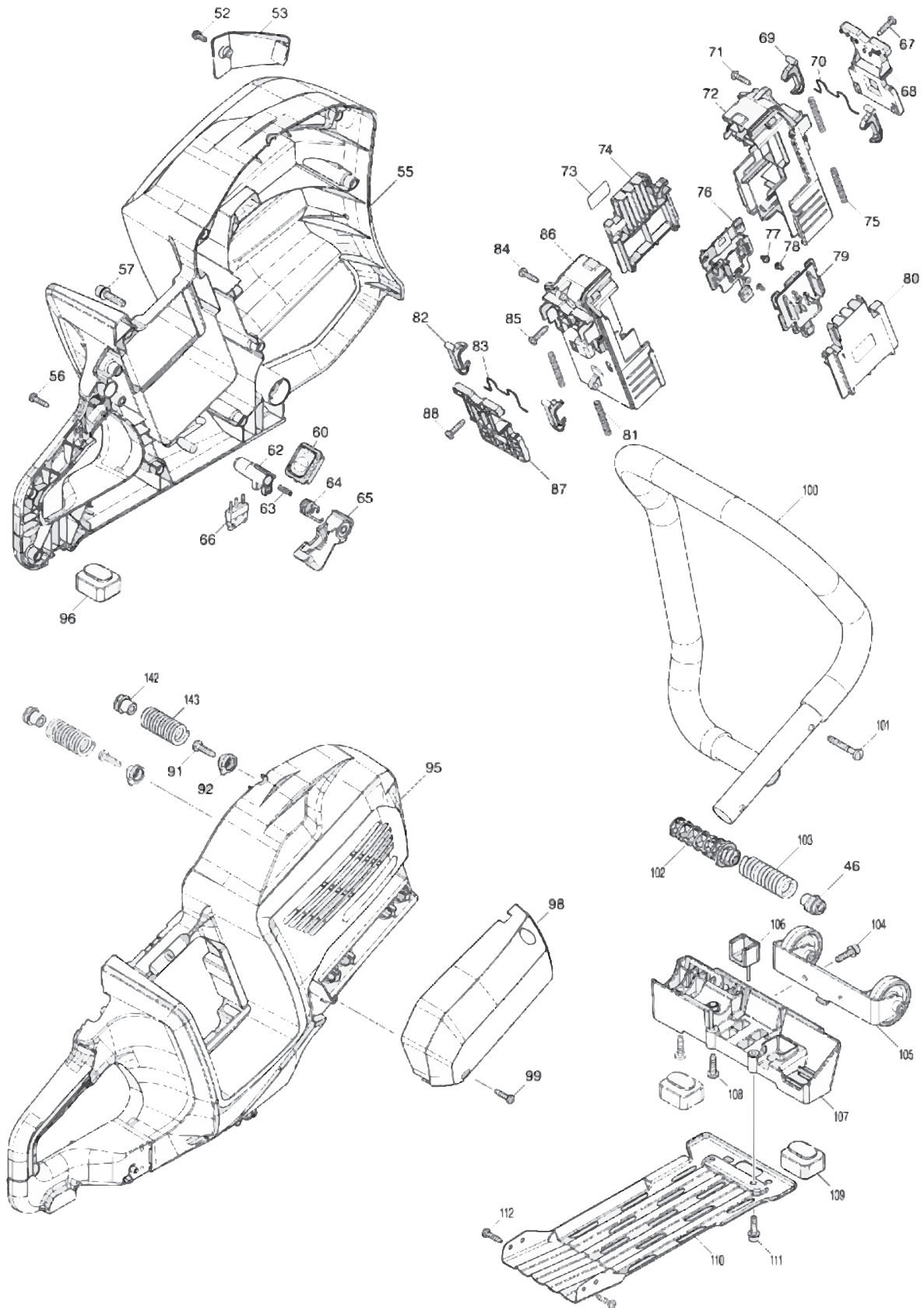


Products with multiple versions are listed in subsiding order with the newest version on top not indented.

Section	Fig. No.	Part No.	Description	GEC01	Tech Bulletin	Notes
1	1	922233-6	H.S.H.BOLT M5X20 WITH WR	2		
1	2	183U98-9	WHEEL COVER GRIP SET	1		INC. 3
1	3	183U98-9	WHEEL COVER GRIP SET	1		INC. 2
1	4	922233-6	H.S.H.BOLT M5X20 WITH WR	2		
1	5	122B46-9	HOSE ASSEMBLY	1		
1	6	266326-2	TAPPING SCREW 4X18	2		
1	7	252306-4	HEX.NUT M10	2		
1	8	265C26-9	HEX.BOLT M10X21	2		
1	9	266976-3	HEX. BOLT M8X25	1		
1	10	224622-4	FLANGE 92	1		
1	11	224622-4	FLANGE 92	1		
1	12	424792-1	SLIDING DISK	1		
1	13	922217-4	HEX. SOCKET HEAD BOLT M5X14	6		
1	14	347917-9	SPINDLE PLATE 83	1		
1	15	422822-2	RUBBER RING 56	1		
1	16	312C31-8	WHEEL COVER 355	1		
1	17	451485-7	PIN CAP	1		
1	18	233089-5	COMPRESSION SPRING 12	1		
1	19	256947-8	SHOULDER PIN 7	1		
1	20	961012-7	STOP RING E-6	1		
1	21	312C29-5	CUTTING DEVICE	1		
1	22	422822-2	RUBBER RING 56	1		
1	23	424792-1	SLIDING DISK	1		
1	24	327927-2	SPINDLE	1		
1	25	211228-7	BALL BEARING 6202DDW	1		
1	25	211238-4	BALL BEARING 6202LLU	1		
1	26	257868-7	RING 15	1		
1	27	211228-7	BALL BEARING 6202DDW	1		
1	27	211238-4	BALL BEARING 6202LLU	1		
1	28	257868-7	RING 15	1		
1	29	254201-4	KEY 4	1		
1	30	922123-3	HEX. SOCKET HEAD BOLT M4X14	2		
1	31	347915-3	PULLY BOTTOM PLATE	1		
1	32	222201-2	PULLEY 17-70.5	1		

Products with multiple versions are listed in subsiding order with the newest version on top not indented.

Section	Fig. No.	Part No.	Description	GEC01	Tech Bulletin	Notes
1	33	313415-5	ECCENTRIC DISK	1		
1	34	267822-3	SPRING WASHER 8	1		
1	35	264053-5	HEX. NUT M8X1	1	DH178	
1	35	264022-6	HEX. NUT M8X1	1		
1	36	211097-6	BALL BEARING 6000LLB	1		
1	36	211062-5	BALL BEARING 6000ZZ	1		
1	37	252429-8	NUT M15-23	1		
1	38	227922-1	SPIRAL BEVEL GEAR 53	1		
1	39	265074-0	PAN HEAD SCREW M5X16	3		
1	40	285049-3	BEARING RETAINER 33-59	1		
1	41	211278-2	BALL BEARING 6203DDW	1		
1	42	327926-4	GEAR SHAFT	1		
1	43	222202-0	PULLEY 17-54.6	1		
1	44	347918-7	PULLEY PLATE 59	1		
1	45	265C27-7	HEX.BOLT M8X30	1		
1	47	922343-9	H.S.H.BOLT M6X25 WITH WR	1		
1	48	922233-6	H.S.H.BOLT M5X20 WITH WR	1		
1	49	312C33-4	SPRING HOLDER A	1		
1	50	225106-5	SYNCHRO BELT 15-750	1		
1	51	141G40-2	BELT COVER COMPLETE	1		
1		265B09-3	H.S. HEAD BOLT M5X30 WITH WR	3		INC WITH FIG 51/NOT PICTURED
1	58	312C34-2	SPRING HOLDER B	1		
1	59	232729-2	COMPRESSION SPRING 13	1		
1	135	213806-9	O RING 90	1		

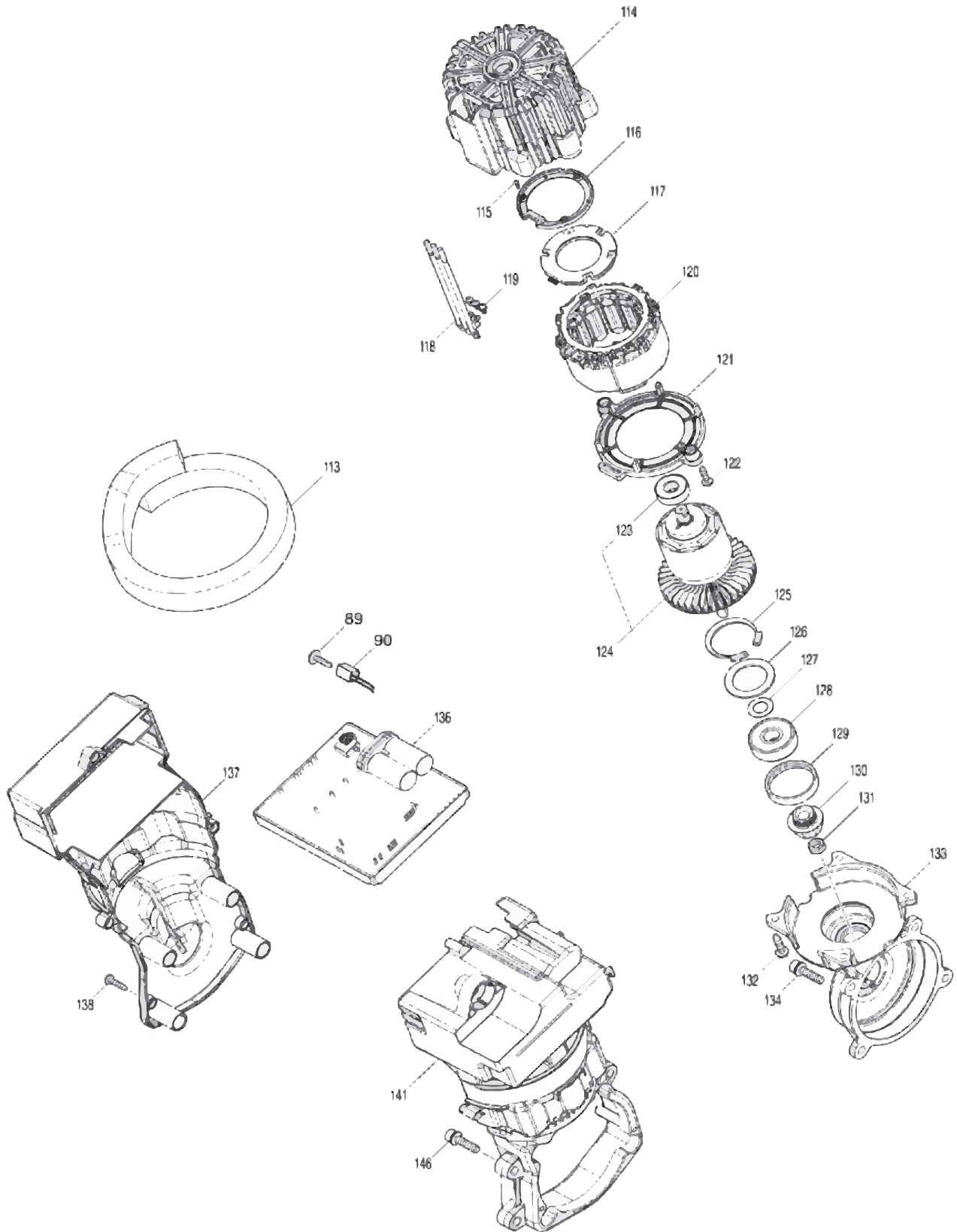


Products with multiple versions are listed in subsiding order with the newest version on top not indented.

Section	Fig. No.	Part No.	Description	GEC01	Tech Bulletin	Notes
2	46	312C35-0	SPRING HOLDER C	1		
2	52	911118-1	PAN HEAD SCREW M4X12	1		
2	53	413C66-3	LENS	1		
2	55	183W18-5	HANDLE SET	1		INC. 95
2	56	266326-2	TAPPING SCREW 4X18	9		
2	57	922343-9	H.S.H.BOLT M6X25 WITH WR	1		
2	60	141G39-7	SWITCH CIRCUIT COMPLETE	1		
2	62	413C73-6	LOCK OFF BUTTON	1		
2	63	232444-8	COMPRESSION SPRING 4	1		
2	64	232732-3	TORSION SPRING 10	1		
2	65	413C72-8	SWITCH LEVER	1		
2	66	632T61-8	SWITCH UNIT	1		
2	67	266326-2	TAPPING SCREW 4X18	1		
2	68	413C77-8	LOCK COVER	1		
2	69	413C76-0	BATTERY ADAPTER LOCK	2		
2	70	232731-5	LEVER SPRING	1		
2	71	266326-2	TAPPING SCREW 4X18	2		
2	72	183U87-4	TERMINAL BOX SET	1		INC. 86/NOT PICTURED
2		263005-3	RUBBER PIN 6	4		INC WITH FIG 72
2	74	413C74-4	BATTERY ADAPTER L	1	Y08787	REPLACED WITH FIG 74 & 80
2	74	183U89-0	BATTERY ADAPTER SET	1	Y08787	REPLACED WITH FIG 74 & 80
2	75	232730-7	COMPRESSION SPRING 5	2		
2	76	632T08-2	TERMINAL UNIT	1		
2	77	652031-1	PAN HEAD SCREW M3X6	2		
2	78	652031-1	PAN HEAD SCREW M3X6	2		
2	79	632T08-2	TERMINAL UNIT	1		
2	80	413C75-2	BATTERY ADAPTER R	1	Y08787	REPLACED WITH FIG 80 & 74
2	80	183U89-0	BATTERY ADAPTER SET	1	Y08787	REPLACED WITH FIG 80 & 74
2	81	232730-7	COMPRESSION SPRING 5	2		
2	82	413C76-0	BATTERY ADAPTER LOCK	2		
2	83	232731-5	LEVER SPRING	1		
2	84	266326-2	TAPPING SCREW 4X18	2		
2	85	266326-2	TAPPING SCREW 4X18	2		
2	86	183U87-4	TERMINAL BOX SET	1		INC. 72

Products with multiple versions are listed in subsiding order with the newest version on top not indented.

Section	Fig. No.	Part No.	Description	GEC01	Tech Bulletin	Notes
2		263005-3	RUBBER PIN 6	4		INC WITH FIG 86/NOPT PICTURED
2	87	413C77-8	LOCK COVER	1		
2	88	266326-2	TAPPING SCREW 4X18	1		
2	91	266021-4	TAPPING SCREW 5X20	2		
2	92	312C33-4	SPRING HOLDER A	2		
2	95	183W18-5	HANDLE SET	1		INC. 55
2	96	422823-0	REAR FOOT	1		
2	98	413C69-7	HOSE COVER	1		
2	99	266326-2	TAPPING SCREW 4X18	2		
2	100	327928-0	FRONT GRIP 26	1		
2	101	266373-3	TAPPING SCREW 5X35	2		
2	102	413C71-0	SPRING HOLDER D	1		
2	103	232728-4	COMPRESSION SPRING 12	1		
2	104	922233-6	H.S.H.BOLT M5X20 WITH WR	2		
2	105	122B47-7	CASTER ASSEMBRY	1		
2	106	424788-2	DAMPER	1		
2	107	312C32-6	STAND SUPPORT	1		
2	108	266021-4	TAPPING SCREW 5X20	2		
2	109	422823-0	REAR FOOT	2		
2	110	347916-1	BOTTOM GUARD	1		
2	111	922233-6	H.S.H.BOLT M5X20 WITH WR	2		
2	112	266326-2	TAPPING SCREW 4X18	2		
2	142	312C34-2	SPRING HOLDER B	2		
2	143	232729-2	COMPRESSION SPRING 13	2		



Products with multiple versions are listed in subsiding order with the newest version on top not indented.

Section	Fig. No.	Part No.	Description	GEC01	Tech Bulletin	Notes
3	89	265620-9	TAPPING SCREW FLANGE 4X18	1		
3	90	620H50-3	LED CIRCUIT	1		
3	113	422821-4	SPONGE SHEET	1		
3	114	413C70-2	MOTOR HOUSING	1		
3	115	266490-9	TAPPING SCREW PT 2X6	3		
3	116	687B69-9	STOPPER	1		
3	117	620E26-2	CONTROLLER B	1		
3	118	632T58-7	LEAD UNIT	1		
3	119	652031-1	PAN HEAD SCREW M3X6	3		
3	120	629A92-2	STATOR	1		
3	121	459144-7	BAFFLE PLATE	1		
3	122	266326-2	TAPPING SCREW 4X18	2		
3	123	210059-1	BALL BEARING 6000DDW	1		
3	124	519717-9	ROTOR ASS'Y	1		INC. 123
3	125	962211-4	RETAINING RING R-42	1		
3	126	253545-9	FLAT WASHER 28	1		
3	127	267212-0	FLAT WASHER 12	1		
3	128	211132-0	BALL BEARING 6301DDW	1		
3	129	262085-6	RUBBER RING 38	1		
3	130	227921-3	SPIRAL BEVEL GEAR 15	1		
3	131	252178-7	HEX. NUT M8-12	1		
3	132	266021-4	TAPPING SCREW 5X20	4		
3	133	141G44-4	GEAR HOUSING COMPLETE	1		
3	134	922343-9	H.S.H.BOLT M6X25 WITH WR	4		
3	136	620H49-8	CONTROLLER	1		
3	137	183U88-2	MOTOR HOUSING COVER SET	1		INC. 141
3	138	266326-2	TAPPING SCREW 4X18	5		
3	141	183U88-2	MOTOR HOUSING COVER SET	1		INC. 137
3	146	922343-9	H.S.H.BOLT M6X25 WITH WR	5		
3	A01	123120-4	COUPLING SLEEVE	1		NOT PICTURED
3	A02	191W53-9	RING SET	1		NOT PICTURED
3	A03	782037-6	BOX WRENCH 13-19	1		NOT PICTURED