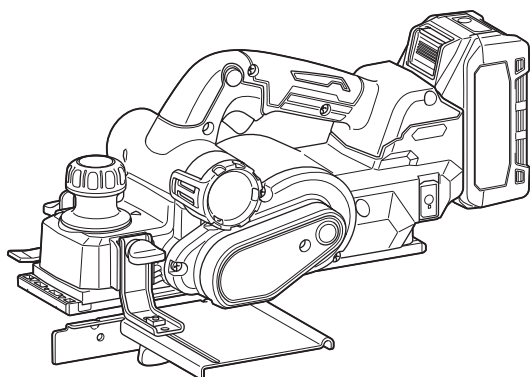


**INSTRUCTION MANUAL
MANUAL DE INSTRUCCIONES**



Cordless Planer Cepillo Inalámbrico

GPK01



IMPORTANT: Read Before Using.

IMPORTANTE: Lea antes de usar.

SPECIFICATIONS

Model:	GPKE01
Planing width	82 mm (3-1/4")
Planing depth	4 mm (5/32")
Shiplapping depth	25 mm (1")
No load speed	15,000 /min
Overall length (with BL4040)	385 mm (15-1/8")
Rated voltage	D.C. 36 V - 40 V max
Net weight	3.7 - 4.9 kg (8.2 - 10.8 lbs)

- Due to our continuing program of research and development, the specifications herein are subject to change without notice.
- Specifications and battery cartridge may differ from country to country.
- The weight may differ depending on the attachment(s), including the battery cartridge. The lightest and heaviest combinations, according to EPTA-Procedure 01/2014, are shown in the table.

Applicable battery cartridge and charger

Battery cartridge	BL4020* / BL4025* / BL4040* / BL4050F * : Recommended battery
Charger	DC40RA / DC40RB / DC40RC

- Some of the battery cartridges and chargers listed above may not be available depending on your region of residence.

⚠ WARNING: Only use the battery cartridges and chargers listed above. Use of any other battery cartridges and chargers may cause injury and/or fire.

SAFETY WARNINGS

General power tool safety warnings

⚠ WARNING: Read all safety warnings, instructions, illustrations and specifications provided with this power tool. Failure to follow all instructions listed below may result in electric shock, fire and/or serious injury.

Save all warnings and instructions for future reference.

The term "power tool" in the warnings refers to your mains-operated (corded) power tool or battery-operated (cordless) power tool.

Work area safety

1. **Keep work area clean and well lit.** Cluttered or dark areas invite accidents.
2. **Do not operate power tools in explosive atmospheres, such as in the presence of flammable liquids, gases or dust.** Power tools create sparks which may ignite the dust or fumes.
3. **Keep children and bystanders away while operating a power tool.** Distractions can cause you to lose control.

Electrical Safety

1. **Power tool plugs must match the outlet. Never modify the plug in any way. Do not use any adapter plugs with earthed (grounded) power tools.** Unmodified plugs and matching outlets will reduce risk of electric shock.
2. **Avoid body contact with earthed or grounded surfaces, such as pipes, radiators, ranges and refrigerators.** There is an increased risk of electric shock if your body is earthed or grounded.
3. **Do not expose power tools to rain or wet conditions.** Water entering a power tool will increase the risk of electric shock.
4. **Do not abuse the cord. Never use the cord for carrying, pulling or unplugging the power tool. Keep cord away from heat, oil, sharp edges or moving parts.** Damaged or entangled cords increase the risk of electric shock.
5. **When operating a power tool outdoors, use an extension cord suitable for outdoor use.** Use of a cord suitable for outdoor use reduces the risk of electric shock.
6. **If operating a power tool in a damp location is unavoidable, use a ground fault circuit interrupter (GFCI) protected supply.** Use of a GFCI reduces the risk of electric shock.
7. **Power tools can produce electromagnetic fields (EMF) that are not harmful to the user.** However, users of pacemakers and other similar medical devices should contact the maker of their device and/or doctor for advice before operating this power tool.

Personal Safety

1. **Stay alert, watch what you are doing and use common sense when operating a power tool. Do not use a power tool while you are tired or under the influence of drugs, alcohol or medication.** A moment of inattention while operating power tools may result in serious personal injury.
2. **Use personal protective equipment. Always wear eye protection.** Protective equipment such as dust mask, non-skid safety shoes, hard hat, or hearing protection used for appropriate conditions will reduce personal injuries.
3. **Prevent unintentional starting. Ensure the switch is in the off-position before connecting to power source and/or battery pack, picking up or carrying the tool.** Carrying power tools with your finger on the switch or energising power tools that have the switch on invites accidents.
4. **Remove any adjusting key or wrench before turning the power tool on.** A wrench or a key left attached to a rotating part of the power tool may result in personal injury.
5. **Do not overreach. Keep proper footing and balance at all times.** This enables better control of the power tool in unexpected situations.
6. **Dress properly. Do not wear loose clothing or jewellery. Keep your hair, clothing and gloves away from moving parts.** Loose clothes, jewellery or long hair can be caught in moving parts.
7. **If devices are provided for the connection of dust extraction and collection facilities, ensure these are connected and properly used.** Use of dust collection can reduce dust-related hazards.
8. **Do not let familiarity gained from frequent use of tools allow you to become complacent and ignore tool safety principles.** A careless action can cause severe injury within a fraction of a second.
9. **Always wear protective goggles to protect your eyes from injury when using power tools. The goggles must comply with ANSI Z87.1 in the USA. It is an employer's responsibility to enforce the use of appropriate safety protective equipment by the tool operators and by other persons in the immediate working area.**

Power tool use and care

1. **Do not force the power tool. Use the correct power tool for your application.** The correct power tool will do the job better and safer at the rate for which it was designed.
2. **Do not use the power tool if the switch does not turn it on and off.** Any power tool that cannot be controlled with the switch is dangerous and must be repaired.
3. **Disconnect the plug from the power source and/or remove the battery pack, if detachable, from the power tool before making any adjustments, changing accessories, or storing power tools.** Such preventive safety measures reduce the risk of starting the power tool accidentally.
4. **Store idle power tools out of the reach of children and do not allow persons unfamiliar with the power tool or these instructions to operate the power tool.** Power tools are dangerous in the hands of untrained users.

5. **Maintain power tools and accessories. Check for misalignment or binding of moving parts, breakage of parts and any other condition that may affect the power tool's operation. If damaged, have the power tool repaired before use.** Many accidents are caused by poorly maintained power tools.
6. **Keep cutting tools sharp and clean.** Properly maintained cutting tools with sharp cutting edges are less likely to bind and are easier to control.
7. **Use the power tool, accessories and tool bits etc. in accordance with these instructions, taking into account the working conditions and the work to be performed.** Use of the power tool for operations different from those intended could result in a hazardous situation.
8. **Keep handles and grasping surfaces dry, clean and free from oil and grease.** Slippery handles and grasping surfaces do not allow for safe handling and control of the tool in unexpected situations.
9. **When using the tool, do not wear cloth work gloves which may be entangled.** The entanglement of cloth work gloves in the moving parts may result in personal injury.

Battery tool use and care

1. **Recharge only with the charger specified by the manufacturer.** A charger that is suitable for one type of battery pack may create a risk of fire when used with another battery pack.
2. **Use power tools only with specifically designated battery packs.** Use of any other battery packs may create a risk of injury and fire.
3. **When battery pack is not in use, keep it away from other metal objects, like paper clips, coins, keys, nails, screws or other small metal objects, that can make a connection from one terminal to another.** Shorting the battery terminals together may cause burns or a fire.
4. **Under abusive conditions, liquid may be ejected from the battery; avoid contact. If contact accidentally occurs, flush with water. If liquid contacts eyes, additionally seek medical help.** Liquid ejected from the battery may cause irritation or burns.
5. **Do not use a battery pack or tool that is damaged or modified.** Damaged or modified batteries may exhibit unpredictable behaviour resulting in fire, explosion or risk of injury.
6. **Do not expose a battery pack or tool to fire or excessive temperature.** Exposure to fire or temperature above 130 °C may cause explosion.
7. **Follow all charging instructions and do not charge the battery pack or tool outside the temperature range specified in the instructions.** Charging improperly or at temperatures outside the specified range may damage the battery and increase the risk of fire.

Service

1. **Have your power tool serviced by a qualified repair person using only identical replacement parts.** This will ensure that the safety of the power tool is maintained.
2. **Never service damaged battery packs.** Service of battery packs should only be performed by the manufacturer or authorized service providers.

3. Follow instruction for lubricating and changing accessories.
4. Do not modify or attempt to repair the appliance or the battery pack except as indicated in the instructions for use and care.

Cordless Planer Safety Warnings

1. Wait for the cutter to stop before setting the tool down. An exposed rotating cutter may engage the surface leading to possible loss of control and serious injury.
2. Use clamps or another practical way to secure and support the workpiece to a stable platform. Holding the workpiece by your hand or against the body leaves it unstable and may lead to loss of control.
3. Rags, cloth, cord, string and the like should never be left around the work area.
4. Avoid cutting nails. Inspect for and remove all nails from the workpiece before operation.
5. Use only sharp blades. Handle the blades very carefully.
6. Be sure the blade installation bolts are securely tightened before operation.
7. Hold the tool firmly with both hands.
8. Keep hands away from rotating parts.
9. Before using the tool on an actual workpiece, let it run for a while. Watch for vibration or wobbling that could indicate poor installation or a poorly balanced blade.
10. Make sure the blade is not contacting the workpiece before the switch is turned on.
11. Wait until the blade attains full speed before cutting.
12. Always switch off and wait for the blades to come to a complete stop before adjusting depth of cut.
13. Never stick your finger into the chip chute. Chute may jam when cutting damp wood. Clean out chips with a stick.
14. Do not leave the tool running. Operate the tool only when hand-held.
15. When replace the blades or some parts on the drum, make sure to replace the parts on both sides of the drum as a set. Otherwise, the resulting imbalance will cause vibration and shorten tool life.
16. Use only Makita blades specified in this manual.
17. Always use the correct dust mask/respirator for the material and application you are working with.
18. Operate the tool on stable condition. Operation on unstable condition may cause a damage injury.

SAVE THESE INSTRUCTIONS.

⚠ WARNING: DO NOT let comfort or familiarity with product (gained from repeated use) replace strict adherence to safety rules for the subject product.

MISUSE or failure to follow the safety rules stated in this instruction manual may cause serious personal injury.

Symbols

The followings show the symbols used for tool.

v	volts
— ---	direct current
n ₀	no load speed
.../min r/min	revolutions or reciprocation per minute

Important safety instructions for battery cartridge

1. Before using battery cartridge, read all instructions and cautionary markings on (1) battery charger, (2) battery, and (3) product using battery.
2. Do not disassemble or tamper with the battery cartridge. It may result in a fire, excessive heat, or explosion.
3. If operating time has become excessively shorter, stop operating immediately. It may result in a risk of overheating, possible burns and even an explosion.
4. If electrolyte gets into your eyes, rinse them out with clear water and seek medical attention right away. It may result in loss of your eyesight.
5. Do not short the battery cartridge:
 - (1) Do not touch the terminals with any conductive material.
 - (2) Avoid storing battery cartridge in a container with other metal objects such as nails, coins, etc.
 - (3) Do not expose battery cartridge to water or rain.

A battery short can cause a large current flow, overheating, possible burns and even a breakdown.

6. Do not store and use the tool and battery cartridge in locations where the temperature may reach or exceed 50 °C (122 °F).
7. Do not incinerate the battery cartridge even if it is severely damaged or is completely worn out. The battery cartridge can explode in a fire.
8. Do not nail, cut, crush, throw, drop the battery cartridge, or hit against a hard object to the battery cartridge. Such conduct may result in a fire, excessive heat, or explosion.
9. Do not use a damaged battery.
10. The contained lithium-ion batteries are subject to the Dangerous Goods Legislation requirements. For commercial transports e.g. by third parties, forwarding agents, special requirement on packaging and labeling must be observed. For preparation of the item being shipped, consulting an expert for hazardous material is required. Please also observe possibly more detailed national regulations.

Tape or mask off open contacts and pack up the battery in such a manner that it cannot move around in the packaging.

11. When disposing the battery cartridge, remove it from the tool and dispose of it in a safe place. Follow your local regulations relating to disposal of battery.
12. Use the batteries only with the products specified by Makita. Installing the batteries to non-compliant products may result in a fire, excessive heat, explosion, or leak of electrolyte.
13. If the tool is not used for a long period of time, the battery must be removed from the tool.
14. During and after use, the battery cartridge may take on heat which can cause burns or low temperature burns. Pay attention to the handling of hot battery cartridges.
15. Do not touch the terminal of the tool immediately after use as it may get hot enough to cause burns.
16. Do not allow chips, dust, or soil stuck into the terminals, holes, and grooves of the battery cartridge. It may cause heating, catching fire, burst and malfunction of the tool or battery cartridge, resulting in burns or personal injury.
17. Unless the tool supports the use near high-voltage electrical power lines, do not use the battery cartridge near a high-voltage electrical power lines. It may result in a malfunction or breakdown of the tool or battery cartridge.
18. Keep the battery away from children.
5. Do not use the wireless unit in places where the temperature exceeds 50 °C (122 °F).
6. Do not operate the wireless unit in places where medical instruments, such as heart pace makers are nearby.
7. Do not operate the wireless unit in places where automated devices are nearby. If operated, automated devices may develop malfunction or error.
8. Do not operate the wireless unit in places under high temperature or places where static electricity or electrical noise could be generated.
9. The wireless unit can produce electromagnetic fields (EMF) but they are not harmful to the user.
10. The wireless unit is an accurate instrument. Be careful not to drop or strike the wireless unit.
11. Avoid touching the terminal of the wireless unit with bare hands or metallic materials.
12. Always remove the battery on the product when installing the wireless unit into it.
13. When opening the lid of the slot, avoid the place where dust and water may come into the slot. Always keep the inlet of the slot clean.
14. Always insert the wireless unit in the correct direction.
15. Do not press the wireless activation button on the wireless unit too hard and/or press the button with an object with a sharp edge.
16. Always close the lid of the slot when operating.
17. Do not remove the wireless unit from the slot while the power is being supplied to the tool. Doing so may cause a malfunction of the wireless unit.
18. Do not remove the sticker on the wireless unit.
19. Do not put any sticker on the wireless unit.
20. Do not leave the wireless unit in a place where static electricity or electrical noise could be generated.
21. Do not leave the wireless unit in a place subject to high heat, such as a car sitting in the sun.
22. Do not leave the wireless unit in a dusty or powdery place or in a place corrosive gas could be generated.
23. Sudden change of the temperature may bedew the wireless unit. Do not use the wireless unit until the dew is completely dried.
24. When cleaning the wireless unit, gently wipe with a dry soft cloth. Do not use benzine, thinner, conductive grease or the like.
25. When storing the wireless unit, keep it in the supplied case or a static-free container.
26. Do not insert any devices other than Makita wireless unit into the slot on the tool.
27. Do not use the tool with the lid of the slot damaged. Water, dust, and dirt come into the slot may cause malfunction.
28. Do not pull and/or twist the lid of the slot more than necessary. Restore the lid if it comes off from the tool.
29. Replace the lid of the slot if it is lost or damaged.

SAVE THESE INSTRUCTIONS.

⚠ CAUTION: Only use genuine Makita batteries. Use of non-genuine Makita batteries, or batteries that have been altered, may result in the battery bursting causing fires, personal injury and damage. It will also void the Makita warranty for the Makita tool and charger.

Tips for maintaining maximum battery life

1. Charge the battery cartridge before completely discharged. Always stop tool operation and charge the battery cartridge when you notice less tool power.
2. Never recharge a fully charged battery cartridge. Overcharging shortens the battery service life.
3. Charge the battery cartridge with room temperature at 10 °C - 40 °C (50 °F - 104 °F). Let a hot battery cartridge cool down before charging it.
4. When not using the battery cartridge, remove it from the tool or the charger.
5. Charge the battery cartridge if you do not use it for a long period (more than six months).

Important safety instructions for wireless unit

1. Do not disassemble or tamper with the wireless unit.
2. Keep the wireless unit away from young children. If accidentally swallowed, seek medical attention immediately.
3. Use the wireless unit only with Makita tools.
4. Do not expose the wireless unit to rain or wet conditions.

SAVE THESE INSTRUCTIONS.

FUNCTIONAL DESCRIPTION

CAUTION: Always be sure that the tool is switched off and the battery cartridge is removed before adjusting or checking function on the tool.

Installing or removing battery cartridge

CAUTION: Always switch off the tool before installing or removing of the battery cartridge.

CAUTION: Hold the tool and the battery cartridge firmly when installing or removing battery cartridge. Failure to hold the tool and the battery cartridge firmly may cause them to slip off your hands and result in damage to the tool and battery cartridge and a personal injury.

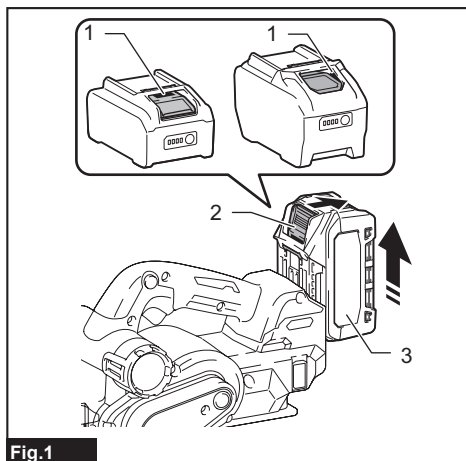


Fig.1

► 1. Red indicator 2. Button 3. Battery cartridge

To remove the battery cartridge, slide it from the tool while sliding the button on the front of the cartridge.

To install the battery cartridge, align the tongue on the battery cartridge with the groove in the housing and slip it into place. Insert it all the way until it locks in place with a little click. If you can see the red indicator as shown in the figure, it is not locked completely.

CAUTION: Always install the battery cartridge fully until the red indicator cannot be seen. If not, it may accidentally fall out of the tool, causing injury to you or someone around you.

CAUTION: Do not install the battery cartridge forcibly. If the cartridge does not slide in easily, it is not being inserted correctly.

Tool / battery protection system

The tool is equipped with a tool/battery protection system. This system automatically cuts off power to the motor to extend tool and battery life. The tool will automatically stop during operation if the tool or battery is placed under one of the following conditions:

Overload protection

When the tool/battery is operated in a manner that causes it to draw an abnormally high current, the tool automatically stops. In this situation, turn the tool off and stop the application that caused the tool to become overloaded. Then turn the tool on to restart.

Overheat protection

When the tool/battery is overheated, the tool stops automatically. In this situation, let the tool/battery cool before turning the tool on again.

Overdischarge protection

When the battery capacity is not enough, the tool stops automatically. In this case, remove the battery from the tool and charge the battery.

Protections against other causes

Protection system is also designed for other causes that could damage the tool and allows the tool to stop automatically. Take all the following steps to clear the causes, when the tool has been brought to a temporary halt or stop in operation.

1. Turn the tool off, and then turn it on again to restart.
2. Charge the battery(ies) or replace it/them with recharged battery(ies).
3. Let the tool and battery(ies) cool down.

If no improvement can be found by restoring protection system, then contact your local Makita Service Center.

Indicating the remaining battery capacity

Press the check button on the battery cartridge to indicate the remaining battery capacity. The indicator lamps light up for a few seconds.

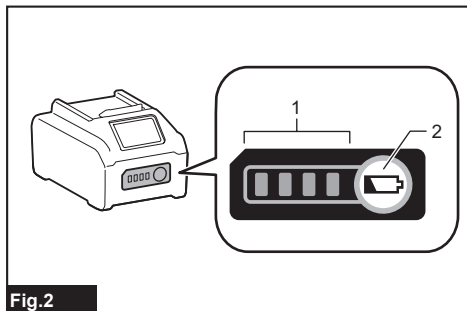


Fig.2

► 1. Indicator lamps 2. Check button

Indicator lamps			Remaining capacity
Lighted	Off	Blinking	
■	□	▧	75% to 100%
■ ■ ■ ■			50% to 75%
■ ■	□ □		25% to 50%
■	□ □ □ □		0% to 25%
▧	□ □ □ □		Charge the battery.
■ ■	□ □		The battery may have malfunctioned.
□ □	■ ■		

NOTE: Depending on the conditions of use and the ambient temperature, the indication may differ slightly from the actual capacity.

NOTE: The first (far left) indicator lamp will blink when the battery protection system works.

Adjusting depth of cut

CAUTION: Always switch off and wait for the blades to come to a complete stop before adjusting depth of cut.

NOTE: When turning the depth adjustment knob, be sure to hold the handle firmly with the other hand.

The cutting depth can be adjusted by turning the depth adjustment knob on the front of the tool. Turn the knob to align the pointer with your desired cutting depth on the depth scale.

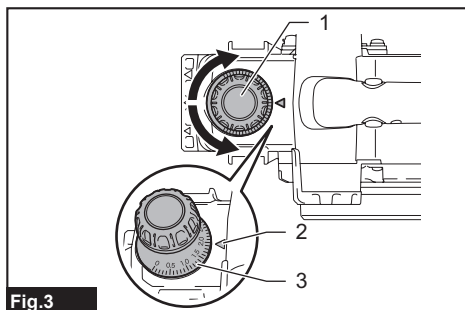


Fig.3

► 1. Depth adjustment knob 2. Pointer 3. Depth scale

Switch action

WARNING: Before installing the battery cartridge into the tool, always check to see that the switch trigger actuates properly and returns to the "OFF" position when released.

WARNING: NEVER defeat the lock-off button by taping down or some other means. A switch with a negated lock-off button may result in unintentional operation and serious personal injury.

WARNING: NEVER use the tool if it runs when you simply pull the switch trigger without pressing the lock-off button. A switch in need of repair may result in unintentional operation and serious personal injury. Return tool to a Makita service center for proper repairs BEFORE further usage.

NOTICE: Do not pull the switch trigger hard without pressing in the lock-off button. This can cause switch breakage.

To prevent the switch trigger from being accidentally pulled, the lock-off button is provided. To start the tool, depress and hold the lock-off button, and then pull the switch trigger. Release the switch trigger to stop.

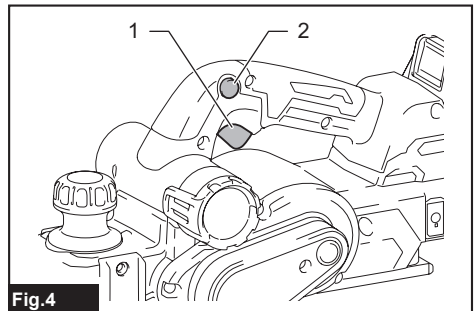


Fig.4

► 1. Switch trigger 2. Lock-off button

Foot

The foot springs out of the rear base when you lift the tool up from work surfaces to avoid the planer blades touching the workpiece directly. It prevents the planer blades from accidental damages when not in use. The foot springs back into the rear base whenever you place the tool base over work surfaces.

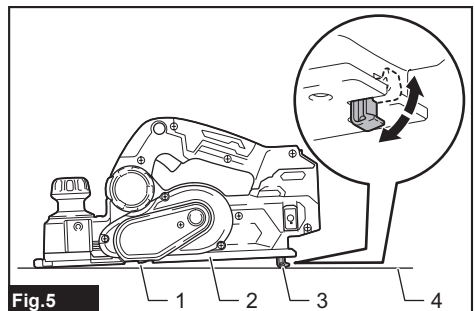


Fig.5

► 1. Planer blade 2. Rear base 3. Foot 4. Work surface

Accidental restart preventive function

If you install the battery cartridge while pulling the switch trigger, the tool does not start. To start the tool, release the switch trigger, and then pull the switch trigger again while depressing the lock-off button.

Electronic function

The tool is equipped with the following electronic functions for easy operation.

Electric brake

The tool is equipped with an electric brake. If the tool consistently fails to quickly stop after releasing the switch trigger, have the tool serviced at your local Makita Service Center.

Soft start feature

The soft-start function minimizes start-up shock, and makes the tool start smoothly.

ASSEMBLY

CAUTION: Always be sure that the tool is switched off and the battery cartridge is removed before carrying out any work on the tool.

Box wrench storage

When not in use, store the box wrench as shown in the figure to keep it from being lost.

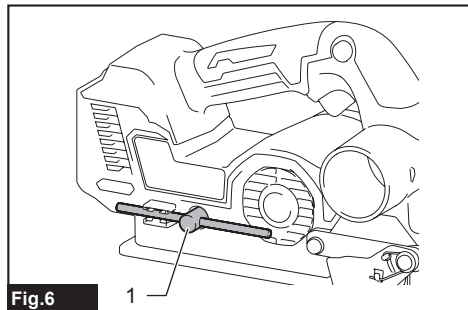


Fig.6

▶ 1. Box wrench

Removing and installing planer blades

CAUTION: Tighten the blade installation bolts carefully when attaching the planer blades to the tool. Always check to see they are tightened securely. A loose installation bolt can be dangerous.

CAUTION: Handle the planer blades very carefully. Use gloves or rags to protect your fingers or hands when removing and installing the planer blades.

CAUTION: Use only the Makita wrench provided to remove and install the planer blades. Failure to do so may result in overtightening or insufficient tightening of the installation bolts. This could cause an injury.

NOTICE: To install planer blades, clean out all chips or foreign matter adhering to the drum or the planer blades. Use planer blades of the same dimensions and weight, otherwise drum oscillation/vibration, causing poor planing action, and tool breakdown will result.

For tool with conventional planer blades

NOTE: A pair of planer blades are assembled in the drum. Repeat the following procedures for each planer blade.

Removing conventional planer blades

1. Unscrew the installation bolts from the drum using the box wrench provided.
2. Disassemble the drum plate and conventional planer blade (with adjusting plate) from the drum.

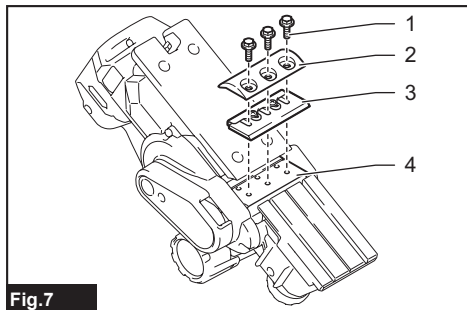


Fig.7

- ▶ 1. Installation bolt 2. Drum plate 3. Conventional planer blade (with adjusting plate) 4. Drum

3. Untighten the screws from the conventional planer blade, and then remove the adjusting plate.

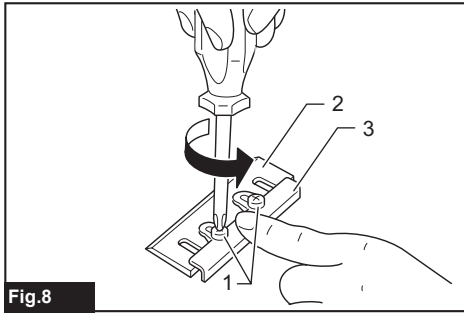


Fig.8

- 1. Screws 2. Conventional planer blade 3. Adjusting plate

Installing conventional planer blades

1. Set a conventional planer blade onto the blade gauge, aligning its cutting edge along the guide wall on the blade gauge horizontally.

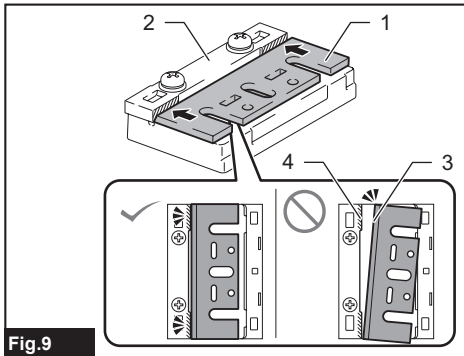


Fig.9

- 1. Conventional planer blade 2. Blade gauge 3. Cutting edge 4. Guide wall
2. Place the adjusting plate over the conventional planer blade, and then slightly tighten the screws.
3. Push the adjusting plate forwards until its positioning guide neatly and entirely fits along the rear side wall of the blade gauge.

4. Hold the adjusting plate where it is and tighten the screws to secure it in place.

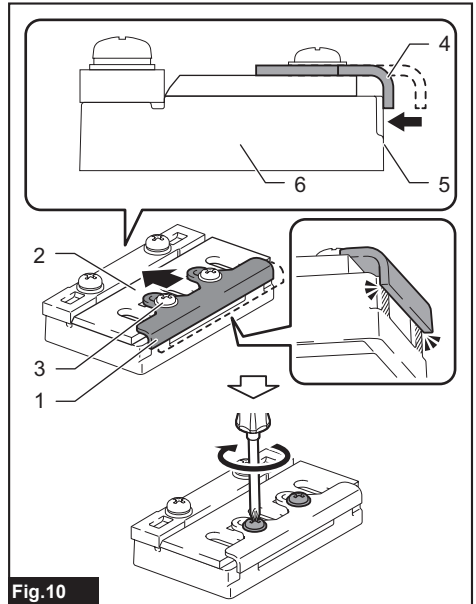


Fig.10

- 1. Adjusting plate 2. Conventional planer blade 3. Screw 4. Positioning guide 5. Rear side wall 6. Blade gauge
5. Clean out all the wood chips and foreign matters adhering to the drum and conventional planer blade.
6. Slip the positioning guide of the adjusting plate into the guide groove in the drum, and then place the drum plate over the conventional planer blade (with adjusting plate).
7. Cross-tighten all the installation bolts evenly with the box wrench.

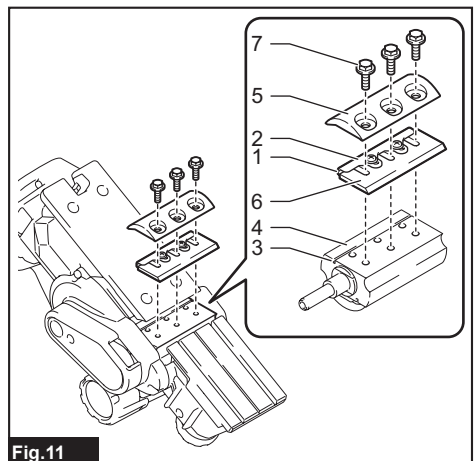


Fig.11

- 1. Positioning guide 2. Adjusting plate 3. Guide groove 4. Drum 5. Drum plate 6. Conventional planer blade 7. Installation bolt

For tool with mini planer blades

NOTE: A pair of planer blades are assembled in the drum. Repeat the following procedures for each planer blade.

Removing mini planer blades

1. Loosen the installation bolts one turn using the box wrench provided.

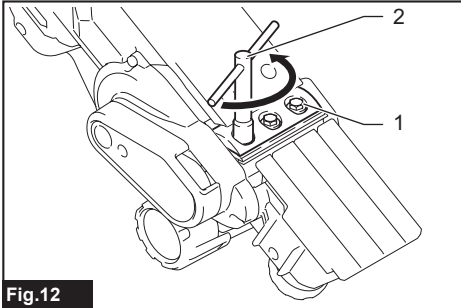


Fig.12

- 1. Installation bolt 2. Box wrench

2. Slide the mini planer blade out of the drum by pushing one end of the blade outwards from the belt cover side.

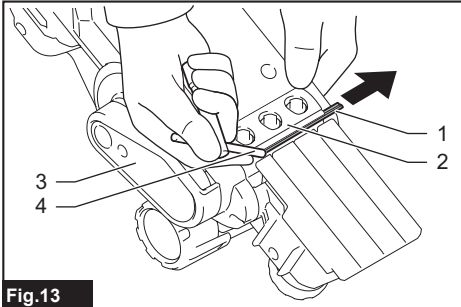


Fig.13

- 1. Mini planer blade 2. Drum 3. Belt cover 4. T-handle of box wrench

NOTE: Use the ends of T-handle of the box wrench to slide the mini planer blade out for safer operation and maintenance.

Installing mini planer blades

1. Clean out all the wood chips and foreign matters adhering to the drum and mini planer blade.
2. Slide a mini planer blade along between the drum and set plate by pushing one end of the blade inwards from the side opposite to the belt cover.

3. Cross-tighten all the installation bolts evenly with the box wrench.

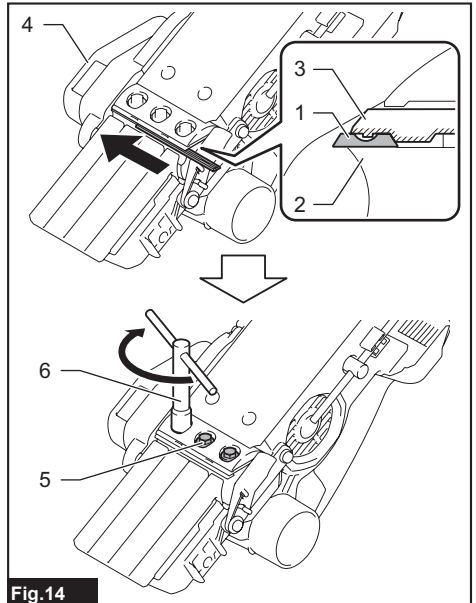


Fig.14

- 1. Mini planer blade 2. Drum 3. Set plate 4. Belt cover 5. Installation bolt 6. Box wrench

Mini planer blade calibration

Perform a calibration on planer blades at regular intervals to optimize work efficiency.

1. Loosen the installation bolts one turn using the box wrench provided.
2. Slide the mini planer blade out of the drum by pushing one end of the blade outwards from the belt cover side.
3. Unscrew the installation bolts from the drum using the box wrench.
4. Disassemble the drum plate and set plate (with adjusting plate) from the drum.

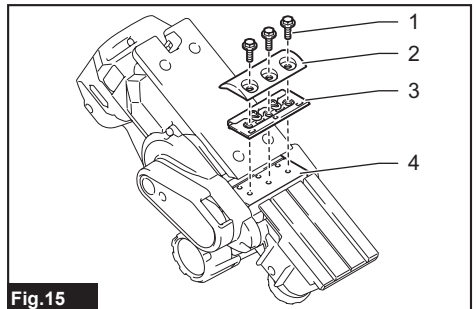


Fig.15

- 1. Installation bolt 2. Drum plate 3. Set plate (with adjusting plate) 4. Drum

- Loosen the screws on the set plate one turn to disengage the adjusting plate.

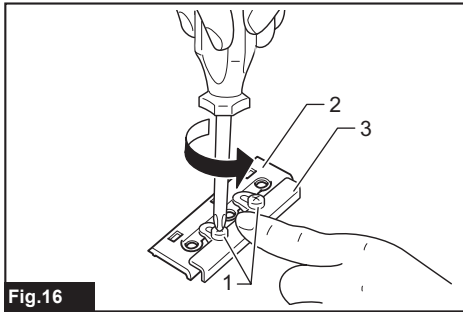


Fig.16

- Screws 2. Set plate 3. Adjusting plate

- Clean out all the wood chips and foreign matters adhering to the set plate (with adjusting plate) and mini planer blade.

- Set the mini planer blade onto the blade gauge, aligning its cutting edge along the guide wall on the blade gauge horizontally.

- Place the set plate (with adjusting plate) over the mini planer blade, aligning the guide ridges on the set plate with guide grooves on the mini planer blade.

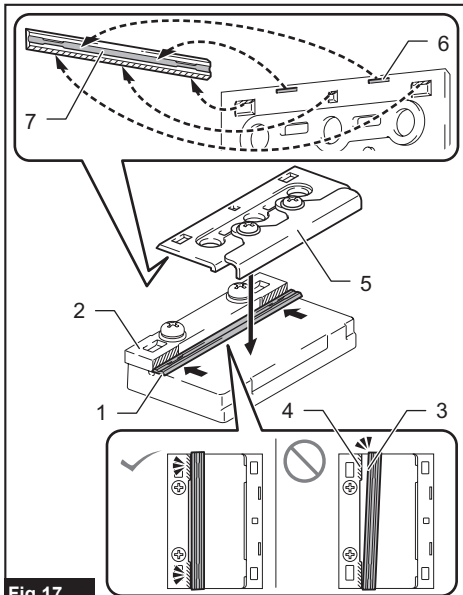


Fig.17

- Mini planer blade 2. Blade gauge 3. Cutting edge 4. Guide wall 5. Set plate (with adjusting plate) 6. Guide ridge 7. Guide groove

- Push the adjusting plate forwards until its positioning guide neatly and entirely fits along the rear side wall of the blade gauge.

- Hold the adjusting plate where it is and tighten the screws to secure it in place.

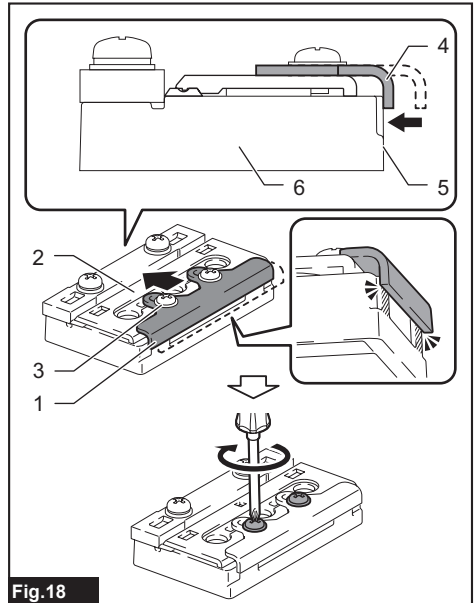


Fig.18

- Adjusting plate 2. Set plate 3. Screw 4. Positioning guide 5. Rear side wall 6. Blade gauge

- Slip the positioning guide of the adjusting plate into the guide groove in the drum, and then place the drum plate over the set plate (with adjusting plate).

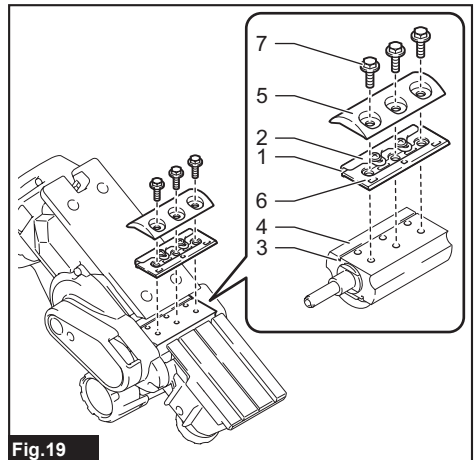


Fig.19

- Positioning guide 2. Adjusting plate 3. Guide groove 4. Drum 5. Drum plate 6. Set plate 7. Installation bolt

12. Slightly tighten the installation bolts, and slide the mini planer blade along between the drum and set plate by pushing one end of the blade inwards from the side opposite to the belt cover.

13. Cross-tighten all the installation bolts evenly with the box wrench.

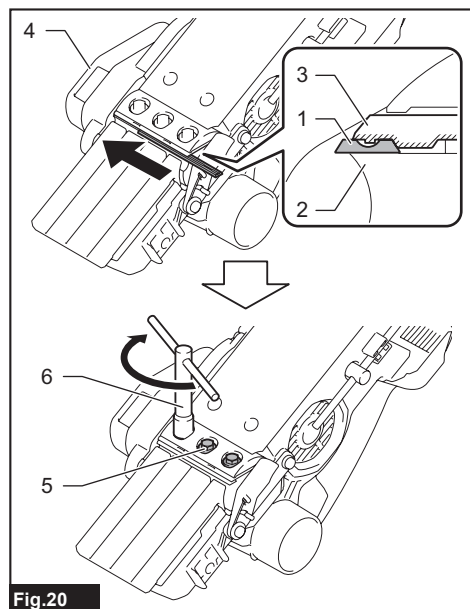
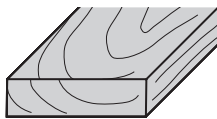
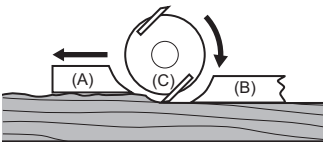
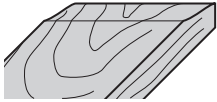
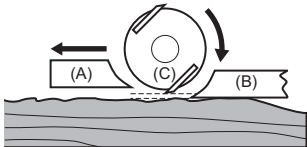
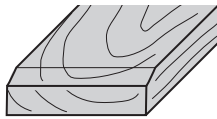
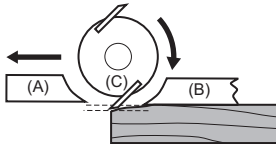
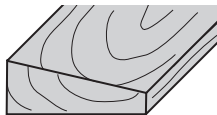
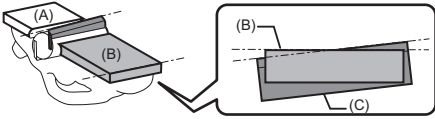


Fig.20

- 1. Mini planer blade 2. Drum 3. Set plate 4. Belt cover 5. Installation bolt 6. Box wrench

Planer blade settings

Your planing surface will end up rough and uneven, unless the planer blades are set properly and securely. Install planer blades correctly so the cutting edges sit in a right angle, on an absolute level with the rear baseline, and exactly parallel to the sole of the plane. Read the examples in the table for proper settings.

Planing surface	Blade setting	Cause
		Cutting edges sit on a level with the rear baseline and run side to side parallel to the sole of the plane.
		Cutting edges underreach the rear baseline.
		Cutting edges overpass the rear baseline.
		Cutting edges sit side to side unparallel to the sole of the plane.

(A): Front base (Adjustable shoe)
 (B): Rear base (Fixed shoe)
 (C): Planer blade

Installing guide rule

1. Lay the tool down with the belt cover facing upwards.
2. Mount the guide rule in place by securing it with the thumb screw into the mounting hole on side of the tool head.

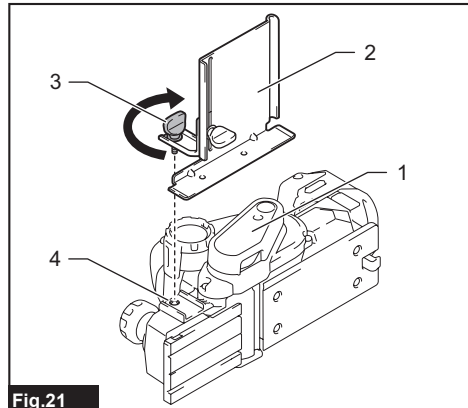


Fig.21

- 1. Belt cover 2. Guide rule 3. Thumb screw 4. Mounting hole

3. Slide the edge fence in and out to your desired planing width, and then tighten the thumb screw to secure it in the required position.

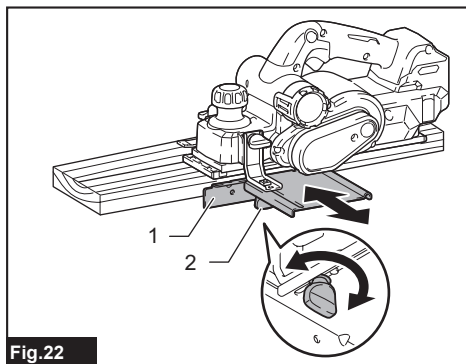


Fig.22

- 1. Edge fence 2. Thumb screw

Installing depth guide

1. Lay the tool down with the belt cover facing downwards.
2. Mount the depth guide in place by securing it with the washer and thumb screw into the mounting hole on side of the tool head.

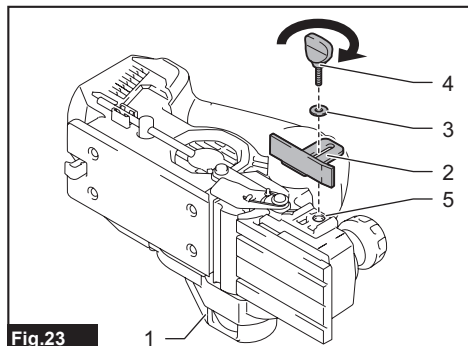


Fig.23

- 1. Belt cover 2. Depth guide 3. Washer 4. Thumb screw 5. Mounting hole

3. Slide the depth guide up and down to your desired planing depth, and then tighten the thumb screw to secure it in the required position.

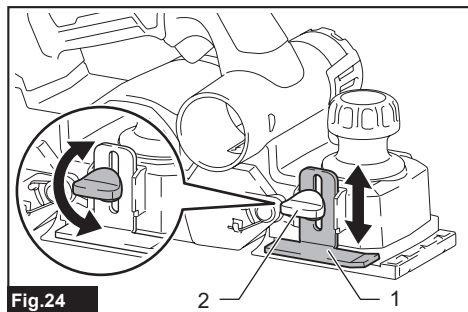


Fig.24

- 1. Depth guide 2. Thumb screw

Installing chamfering rules

Optional accessory

1. Lay the tool down with the front base facing upwards.
2. Attach the edge fences to the mounting arms, aligning the projections on the arms with the guide slits in the edge fences, and secure them with the washers and thumb screws.

3. Mount the chamfering rules (sets of edge fences and mounting arms) in place by securing them with the thumb screws into the mounting holes on both sides of the tool head.

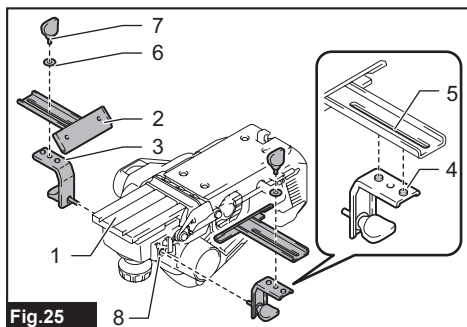


Fig.25

- 1. Front base 2. Edge fence 3. Mounting arm 4. Projection 5. Guide slit 6. Washer 7. Thumb screw 8. Mounting hole

4. Slide the edge fences in and out to your desired chamfering range, and then tighten the thumb screws to secure them in the required position.

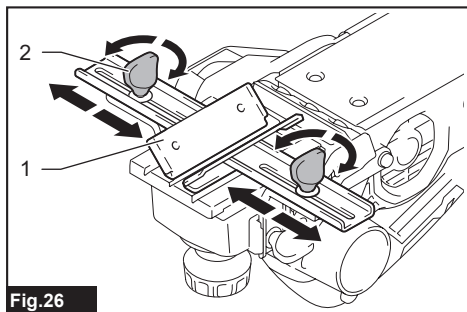


Fig.26

- 1. Edge fence 2. Thumb screw

Dust and wood chip extraction

Dust and wood chip can be released from either left or right side of discharge openings. Cover one of the discharge openings on the side opposed to your preferred dust extraction direction with the stopper.

To detach the stopper from the discharge opening, turn the stopper towards the handle slightly to disengage the lock, and then pull it apart.

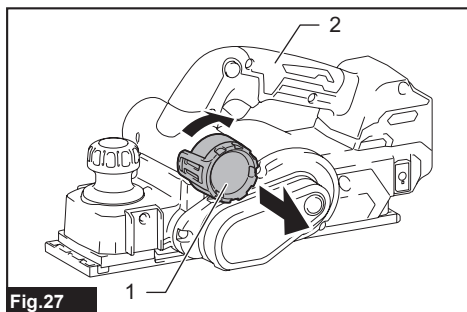


Fig.27

- 1. Stopper 2. Handle

As for installation, insert the stopper straight into one of the openings aligning the locking slot in the stopper with the guide projection on the opening until it locks in place.

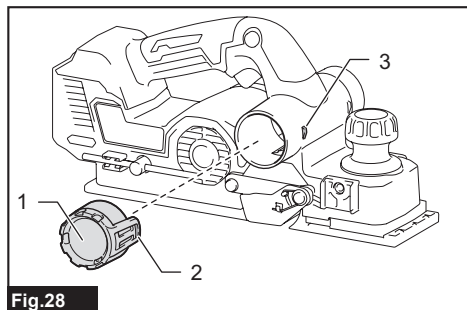


Fig.28

► 1. Stopper 2. Locking slot 3. Guide projection

Dust bag

Optional accessory

Attach the dust bag onto one of the discharge openings and push firmly as far as it will go. Make sure the dust bag is securely placed over the tapered opening so as not to come off during operation.

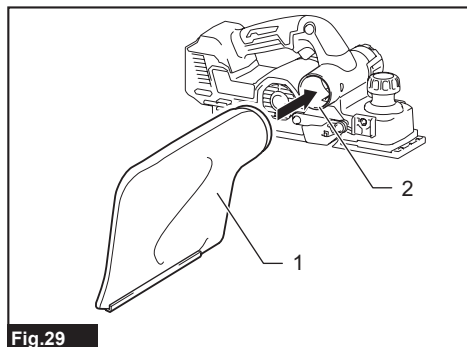


Fig.29

► 1. Dust bag 2. Discharge opening

When the dust bag is about half full, remove the dust bag from the tool and pull the fastener out. Empty the dust bag. Tap the dust bag lightly to remove particles adhering inside, which might hamper further collection.

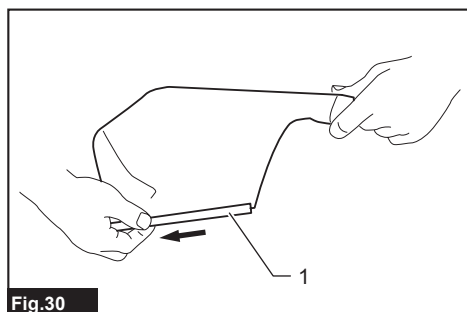


Fig.30

► 1. Fastener

NOTE: If you connect a Makita vacuum cleaner to this tool, more efficient and cleaner operations can be performed.

Connecting a vacuum cleaner

When you wish to perform clean planing operation, connect a Makita vacuum cleaner to your tool. Connect a hose of the vacuum cleaner to one of the discharge openings as shown in the figure.

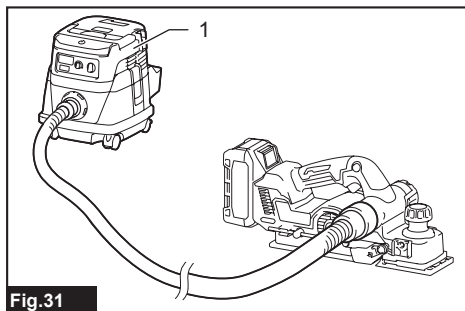


Fig.31

► 1. Vacuum cleaner

Elbow

Optional accessory

Use a dust extractor elbow to condense extraction air flow at preferred angles for cleaner working environment. Attach the elbow into one of the discharge openings and push firmly as far as it will go.

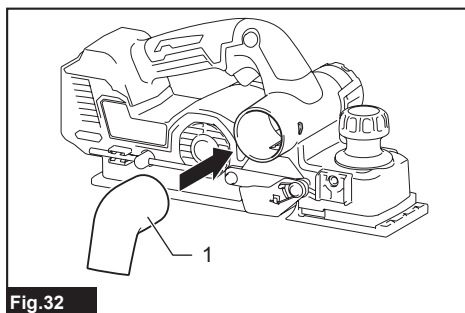


Fig.32

► 1. Elbow

OPERATION

CAUTION: Hold the tool firmly with one hand on the switch handle and the other hand on the depth adjustment knob when operating the tool.

Planing operation

1. Hold the tool firmly with your both hands, one hand on the switch handle and the other on the depth adjustment knob.
2. Place the front base of the tool flat upon the workpiece surface without the planer blades making any contact.
3. Turn the tool on and wait until it attains full speed.
4. Gently move the tool forwards, applying slightly more downwards pressure on the depth adjustment knob at the start so as to keep the entire planer base level and even with the workpiece surface.

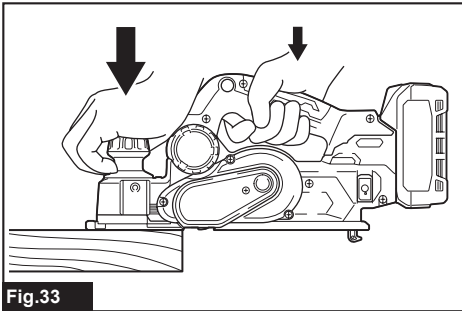


Fig.33

5. Use care to apply pressure evenly over the workpiece surface in the middle of operation, and push the tool steadily forwards.

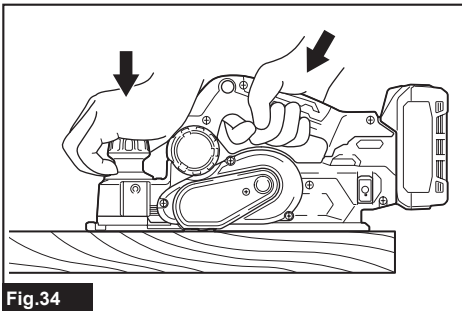


Fig.34

NOTE: Balance hand pressure between the switch handle and depth adjustment knob as both the front and rear bases contact the workpiece surface.

6. Apply greater control on the switch handle to avoid overreaching at the end of a pass since the front base will drop off the workpiece surface.

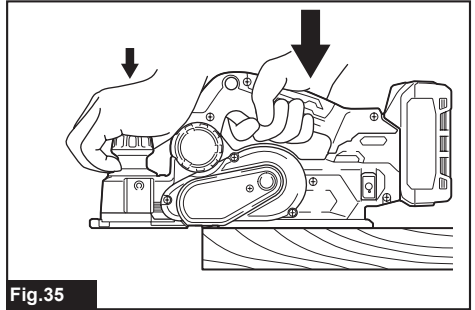


Fig.35

NOTE: Planing can be easier if you position the workpiece at a slight forward tilt so you ease up on the pressure to hold the tool during operation.

NOTE: Adjust the cutting speed and depth for your desired surface finishes.

For rough finish, set the cutting depth sufficiently deep enough on workpiece.

For neat and fine finish, push the tool slowly with shallow cutting depth and make more passes.

Shiplapping (Rabbeting)

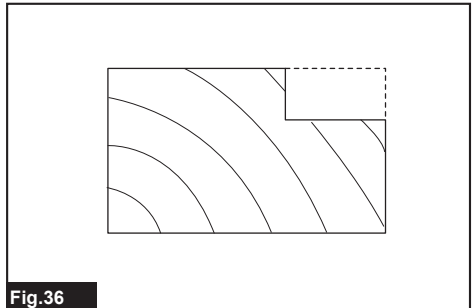


Fig.36

Use the guide rule to make a stepped cut as shown in the figure.

1. Install the guide rule and depth guide in the tool and secure them with the washers and thumb screws.
2. Adjust the depth guide to the shiplapping depth and secure it in place with the thumb screw.

3. Draw a cutting line on the workpiece and align the blade edge with the cutting line.

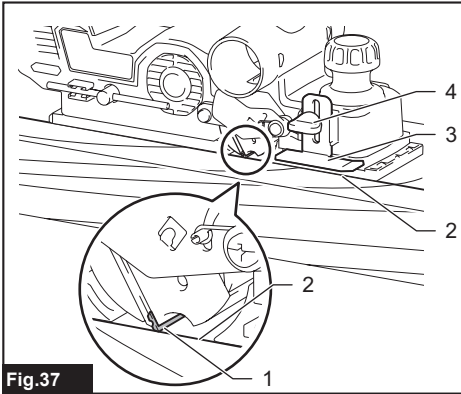


Fig.37

- 1. Blade edge 2. Cutting line 3. Depth guide
4. Thumb screw

NOTE: Make sure that the blade edge comes out of the side end of the drum by 1.6 mm – 1.8 mm (1/16") for shiplapping. (See "A" in the following figure.)

* You can opt to let the blade edge come out of the side end of the front base by 0.2 mm – 0.4 mm (1/64"). (See "B" in the following figure.)

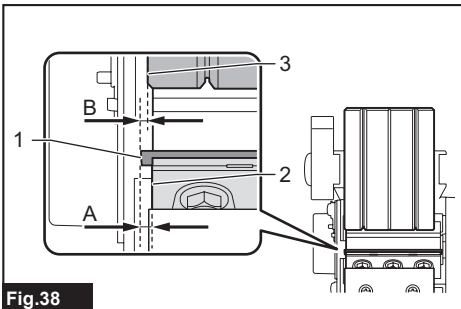


Fig.38

- 1. Blade edge 2. Side end of drum 3. Side end of front base

4. Slide the edge fence in the guide rule inwards until it comes in contact with the side wall of the workpiece. Then secure it in place with the thumb screw.

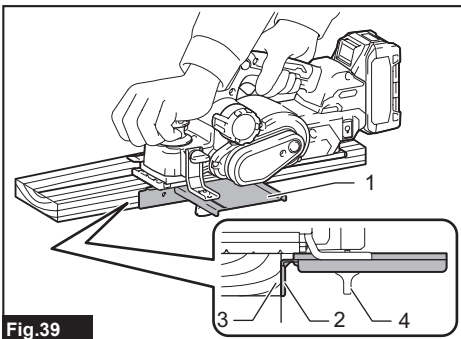


Fig.39

- 1. Guide rule 2. Edge fence 3. Side wall 4. Thumb screw

5. Perform planing operation by moving the tool with the whole edge fence sliding along the side wall of the workpiece.

NOTE: Reaching lengths of the guide fence can be extended by attaching an extra piece of wood to the attachment holes in the guide fence.

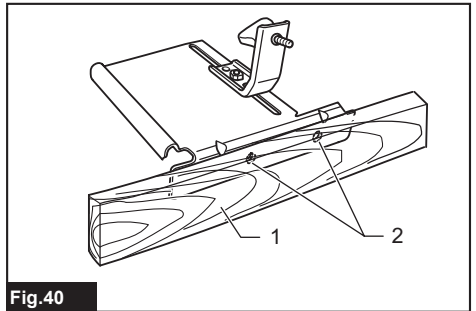


Fig.40

- 1. Extra piece of wood 2. Attachment holes

Chamfering

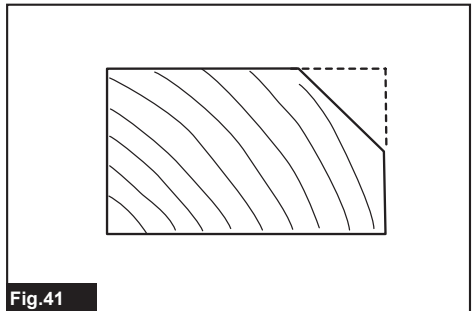


Fig.41

Use the "V" grooves cut in the front base to make a chamfering cut as shown in the figure.

Perform planing operation by moving the tool aligning one of the three "V" grooves in the front base with the corner edge of the workpiece.

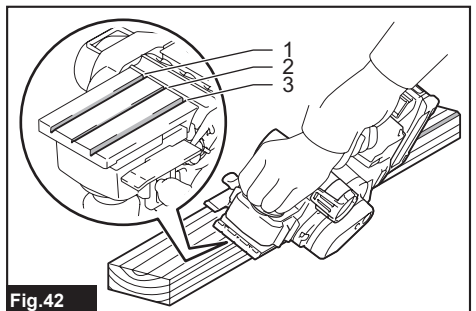


Fig.42

- 1. V groove for medium chamfers 2. V groove for small chamfers 3. V groove for large chamfers

Using chamfering rules

Optional accessory

1. Slide the edge fences in the chamfering rules inwards until they come in contact with the corner walls of the workpiece.
2. Secure the edge fences in place with the thumb screws.
3. Perform planning operation by moving the tool with the whole edge fences sliding along the corner walls of the workpiece.

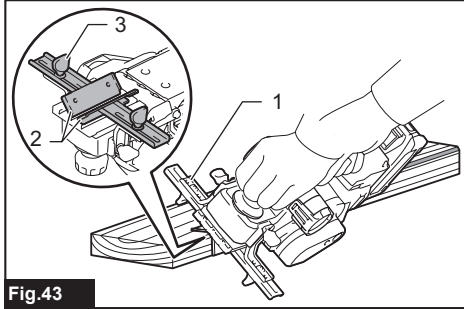


Fig.43

- 1. Chamfering rule 2. Edge fences 3. Thumb screw

NOTE: For large chamfers, make many passes of planning, starting from small chamfering to larger chamfering, as shown in the figure.

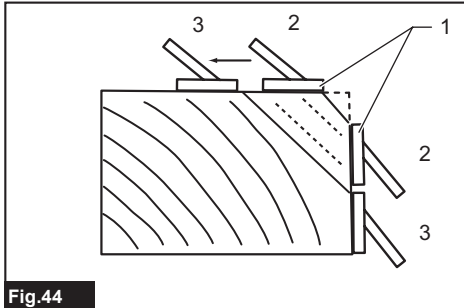


Fig.44

- 1. Edge fences 2. Small chamfering 3. Large chamfering

WIRELESS ACTIVATION FUNCTION

What you can do with the wireless activation function

The wireless activation function enables clean and comfortable operation. By connecting a supported vacuum cleaner to the tool, you can run the vacuum cleaner automatically along with the switch operation of the tool.

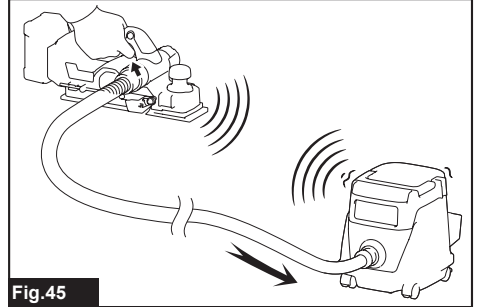


Fig.45

To use the wireless activation function, prepare following items:

- A wireless unit (optional accessory)
- A vacuum cleaner which supports the wireless activation function

The overview of the wireless activation function setting is as follows. Refer to each section for detail procedures.

1. Installing the wireless unit
2. Tool registration for the vacuum cleaner
3. Starting the wireless activation function

Installing the wireless unit

Optional accessory

CAUTION: Place the tool on a flat and stable surface when installing the wireless unit.

NOTICE: Clean the dust and dirt on the tool before installing the wireless unit. Dust or dirt may cause malfunction if it comes into the slot of the wireless unit.

NOTICE: To prevent the malfunction caused by static, touch a static discharging material, such as a metal part of the tool, before picking up the wireless unit.

NOTICE: When installing the wireless unit, always be sure that the wireless unit is inserted in the correct direction and the lid is completely closed.

1. Open the lid on the tool as shown in the figure.

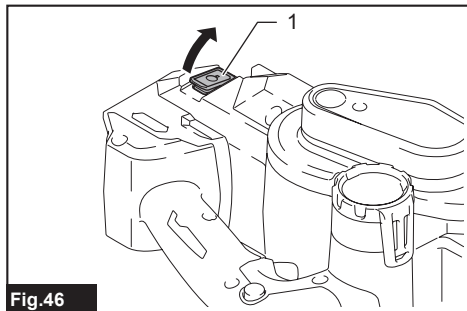


Fig. 46

- 1. Lid

2. Insert the wireless unit to the slot and then close the lid. When inserting the wireless unit, align the projections with the recessed portions on the slot.

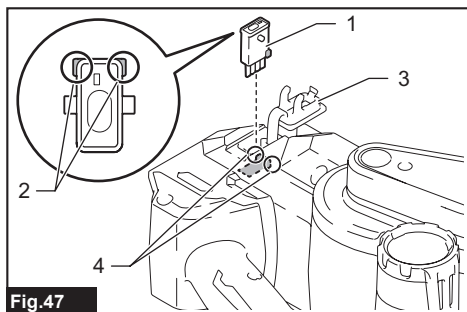


Fig. 47

- 1. Wireless unit 2. Projection 3. Lid 4. Recessed portion

When removing the wireless unit, open the lid slowly. The hooks on the back of the lid will lift the wireless unit as you pull up the lid.

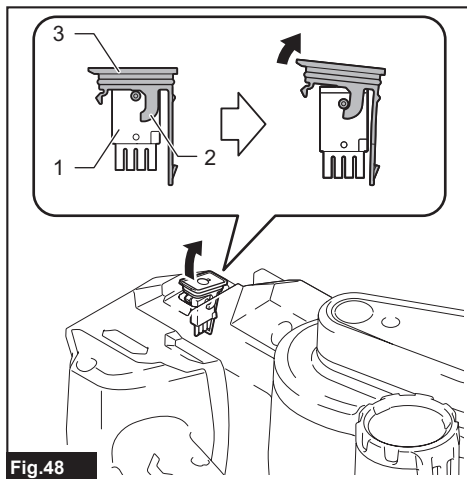


Fig. 48

- 1. Wireless unit 2. Hook 3. Lid

After removing the wireless unit, keep it in the supplied case or a static-free container.

NOTICE: Always use the hooks on the back of the lid when removing the wireless unit. If the hooks do not catch the wireless unit, close the lid completely and open it slowly again.

Tool registration for the vacuum cleaner

NOTE: A Makita vacuum cleaner supporting the wireless activation function is required for the tool registration.

NOTE: Finish installing the wireless unit to the tool before starting the tool registration.

NOTE: During the tool registration, do not pull the switch trigger or turn on the power switch on the vacuum cleaner.

NOTE: Refer to the instruction manual of the vacuum cleaner, too.

If you wish to activate the vacuum cleaner along with the switch operation of the tool, finish the tool registration beforehand.

1. Install the batteries to the vacuum cleaner and the tool.
2. Set the stand-by switch on the vacuum cleaner to "AUTO".

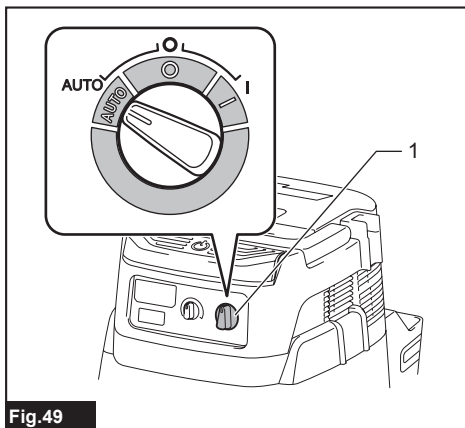


Fig. 49

- 1. Stand-by switch

- Press the wireless activation button on the vacuum cleaner for 3 seconds until the wireless activation lamp blinks in green. And then press the wireless activation button on the tool in the same way.

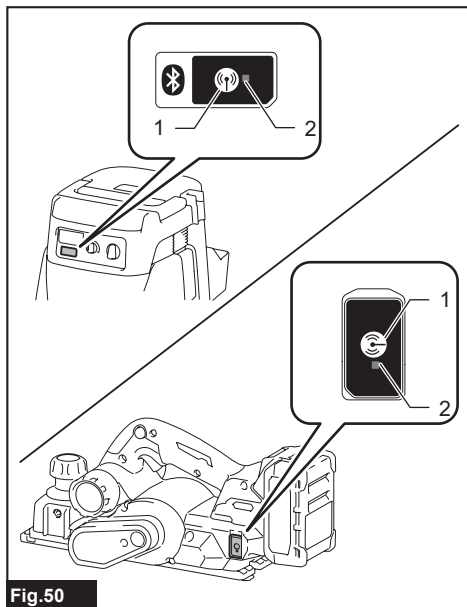


Fig.50

- 1. Wireless activation button 2. Wireless activation lamp

If the vacuum cleaner and the tool are linked successfully, the wireless activation lamps will light up in green for 2 seconds and start blinking in blue.

NOTE: The wireless activation lamps finish blinking in green after 20 seconds elapsed. Press the wireless activation button on the tool while the wireless activation lamp on the cleaner is blinking. If the wireless activation lamp does not blink in green, push the wireless activation button briefly and hold it down again.

NOTE: When performing two or more tool registrations for one vacuum cleaner, finish the tool registration one by one.

Starting the wireless activation function

NOTE: Finish the tool registration for the vacuum cleaner prior to the wireless activation.

NOTE: Refer to the instruction manual of the vacuum cleaner, too.

After registering a tool to the vacuum cleaner, the vacuum cleaner will automatically runs along with the switch operation of the tool.

- Install the wireless unit to the tool.

- Connect the hose of the vacuum cleaner with the tool.

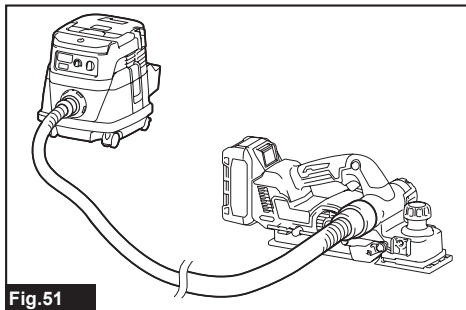


Fig.51

- Set the stand-by switch on the vacuum cleaner to "AUTO".

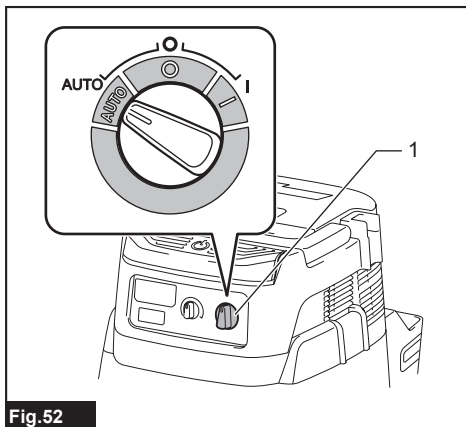


Fig.52

- 1. Stand-by switch

- Push the wireless activation button on the tool briefly. The wireless activation lamp will blink in blue.

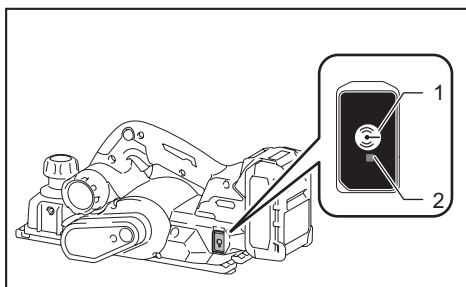


Fig.53

- 1. Wireless activation button 2. Wireless activation lamp

- Turn on the tool. Check if the vacuum cleaner runs while the tool is operating.

To stop the wireless activation of the vacuum cleaner, push the wireless activation button on the tool.

NOTE: The wireless activation lamp on the tool will stop blinking in blue when there is no operation for 2 hours. In this case, set the stand-by switch on the vacuum cleaner to "AUTO" and push the wireless activation button on the tool again.

NOTE: The vacuum cleaner starts/stops with a delay. There is a time lag when the vacuum cleaner detects a switch operation of the tool.

NOTE: The transmission distance of the wireless unit may vary depending on the location and surrounding circumstances.

NOTE: When two or more tools are registered to one vacuum cleaner, the vacuum cleaner may start running even if you do not turn on your tool because another user is using the wireless activation function.

Description of the wireless activation lamp status

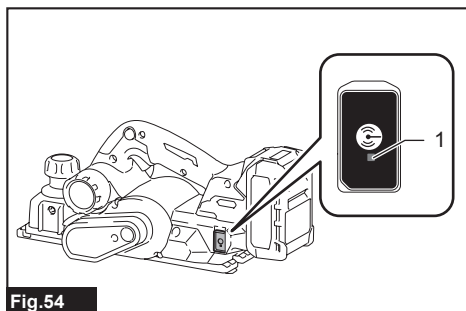


Fig.54

► 1. Wireless activation lamp

The wireless activation lamp shows the status of the wireless activation function. Refer to the table below for the meaning of the lamp status.

Status	Wireless activation lamp				Description
	Color	<input type="checkbox"/> On	<input type="checkbox"/> Blinking	Duration	
Standby	Blue	<input checked="" type="checkbox"/>	<input type="checkbox"/>	2 hours	The wireless activation of the vacuum cleaner is available. The lamp will automatically turn off when no operation is performed for 2 hours.
		<input type="checkbox"/>	<input type="checkbox"/>	When the tool is running.	The wireless activation of the vacuum cleaner is available and the tool is running.
Tool registration	Green	<input checked="" type="checkbox"/>	<input type="checkbox"/>	20 seconds	Ready for the tool registration. Waiting for the registration by the vacuum cleaner.
		<input type="checkbox"/>	<input type="checkbox"/>	2 seconds	The tool registration has been finished. The wireless activation lamp will start blinking in blue.
Cancelling tool registration	Red	<input checked="" type="checkbox"/>	<input type="checkbox"/>	20 seconds	Ready for the cancellation of the tool registration. Waiting for the cancellation by the vacuum cleaner.
		<input type="checkbox"/>	<input type="checkbox"/>	2 seconds	The cancellation of the tool registration has been finished. The wireless activation lamp will start blinking in blue.
Others	Red	<input type="checkbox"/>	<input type="checkbox"/>	3 seconds	The power is supplied to the wireless unit and the wireless activation function is starting up.
	Off	-	-	-	The wireless activation of the vacuum cleaner is stopped.

Cancelling tool registration for the vacuum cleaner

Perform the following procedure when cancelling the tool registration for the vacuum cleaner.

1. Install the batteries to the vacuum cleaner and the tool.
2. Set the stand-by switch on the vacuum cleaner to "AUTO".

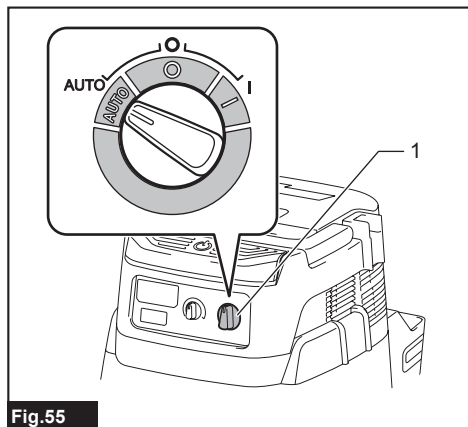


Fig.55

- 1. Stand-by switch

3. Press the wireless activation button on the vacuum cleaner for 6 seconds. The wireless activation lamp blinks in green and then become red. After that, press the wireless activation button on the tool in the same way.

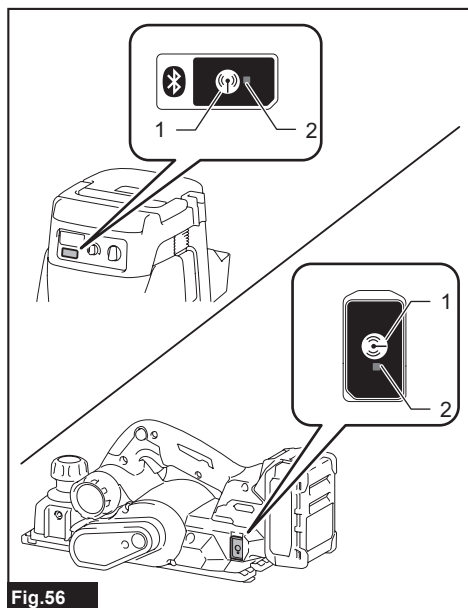


Fig.56

- 1. Wireless activation button 2. Wireless activation lamp

If the cancellation is performed successfully, the wireless activation lamps will light up in red for 2 seconds and start blinking in blue.

NOTE: The wireless activation lamps finish blinking in red after 20 seconds elapsed. Press the wireless activation button on the tool while the wireless activation lamp on the cleaner is blinking. If the wireless activation lamp does not blink in red, push the wireless activation button briefly and hold it down again.

Troubleshooting for wireless activation function

Before asking for repairs, conduct your own inspection first. If you find a problem that is not explained in the manual, do not attempt to dismantle the tool. Instead, ask Makita Authorized Service Centers, always using Makita replacement parts for repairs.

State of abnormality	Probable cause (malfunction)	Remedy
The wireless activation lamp does not light/blink.	The wireless unit is not installed into the tool. The wireless unit is improperly installed into the tool.	Install the wireless unit correctly.
	The terminal of the wireless unit and/or the slot is dirty.	Gently wipe off dust and dirt on the terminal of the wireless unit and clean the slot.
	The wireless activation button on the tool has not been pushed.	Push the wireless activation button on the tool briefly.
	The stand-by switch on the vacuum cleaner is not set to "AUTO".	Set the stand-by switch on the vacuum cleaner to "AUTO".
	No power supply	Supply the power to the tool and the vacuum cleaner.
Cannot finish tool registration / cancelling tool registration successfully.	The wireless unit is not installed into the tool. The wireless unit is improperly installed into the tool.	Install the wireless unit correctly.
	The terminal of the wireless unit and/or the slot is dirty.	Gently wipe off dust and dirt on the terminal of the wireless unit and clean the slot.
	The stand-by switch on the vacuum cleaner is not set to "AUTO".	Set the stand-by switch on the vacuum cleaner to "AUTO".
	No power supply	Supply the power to the tool and the vacuum cleaner.
	Incorrect operation	Push the wireless activation button briefly and perform the tool registration/cancellation procedures again.
	The tool and vacuum cleaner are away from each other (out of the transmission range).	Get the tool and vacuum cleaner closer to each other. The maximum transmission distance is approximately 10 m however it may vary according to the circumstances.
	Before finishing the tool registration/cancellation; - the switch of the tool is turned on or; - the power button on the vacuum cleaner is turned on.	Push the wireless activation button briefly and perform the tool registration/cancellation procedures again.
	The tool registration procedures for the tool or vacuum cleaner have not finished.	Perform the tool registration procedures for both the tool and the vacuum cleaner at the same timing.
	Radio disturbance by other appliances which generate high-intensity radio waves.	Keep the tool and vacuum cleaner away from the appliances such as Wi-Fi devices and microwave ovens.
The vacuum cleaner does not run along with the switch operation of the tool.	The wireless unit is not installed into the tool. The wireless unit is improperly installed into the tool.	Install the wireless unit correctly.
	The terminal of the wireless unit and/or the slot is dirty.	Gently wipe off dust and dirt on the terminal of the wireless unit and clean the slot.
	The wireless activation button on the tool has not been pushed.	Push the wireless activation button briefly and make sure that the wireless activation lamp is blinking in blue.
	The stand-by switch on the vacuum cleaner is not set to "AUTO".	Set the stand-by switch on the vacuum cleaner to "AUTO".
	More than 10 tools are registered to the vacuum cleaner.	Perform the tool registration again. If more than 10 tools are registered to the vacuum cleaner, the tool registered earliest will be cancelled automatically.
	The vacuum cleaner erased all tool registrations.	Perform the tool registration again.
	No power supply	Supply the power to the tool and the vacuum cleaner.
	The tool and vacuum cleaner are away from each other (out of the transmission range).	Get the tool and vacuum cleaner closer each other. The maximum transmission distance is approximately 10 m however it may vary according to the circumstances.
	Radio disturbance by other appliances which generate high-intensity radio waves.	Keep the tool and vacuum cleaner away from the appliances such as Wi-Fi devices and microwave ovens.
The vacuum cleaner runs while the tool is not operating.	Other users are using the wireless activation of the vacuum cleaner with their tools.	Turn off the wireless activation button of the other tools or cancel the tool registration of the other tools.

MAINTENANCE

CAUTION: Always be sure that the tool is switched off and the battery cartridge is removed before attempting to perform inspection or maintenance.

NOTICE: Never use gasoline, benzine, thinner, alcohol or the like. Discoloration, deformation or cracks may result.

To maintain product SAFETY and RELIABILITY, repairs, any other maintenance or adjustment should be performed by Makita Authorized or Factory Service Centers, always using Makita replacement parts.

Cleaning up chip discharge openings

Clean the chip discharge openings regularly. Use a compressed air to clean the clogged chip discharge openings.

Sharpening blades

For conventional planer blades only

Always keep your planer blades sharp for the best performance. Use the sharpening holder (optional accessory) to refine the planer blade edges safely and effectively.

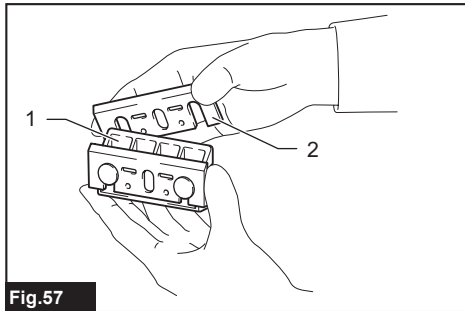


Fig.57

► 1. Sharpening holder 2. Blade

1. Loosen the two wing nuts in the sharpening holder.
2. Slip the back ends of the planer blades into the mounting slots as far as they will go with the cutting edges to be sharpened facing downwards.

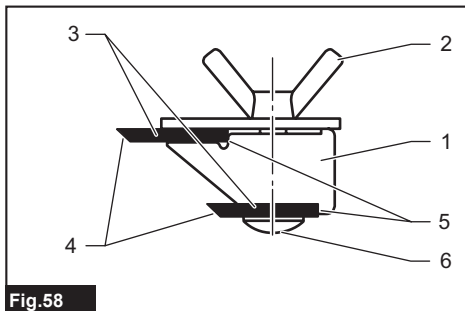


Fig.58

► 1. Sharpening holder 2. Wing nut 3. Blades
4. Cutting edges 5. Mounting slots 6. Bolt head

3. Tighten the wing nuts to secure the planer blades in place.

4. Soak a dressing stone in water for 2 or 3 minutes before sharpening.
5. Hold the sharpening holder firmly, and gently place the cutting edges over the surface of the dressing stone.
6. Sharpen the cutting edges by moving the sharpening holder back and forwards.

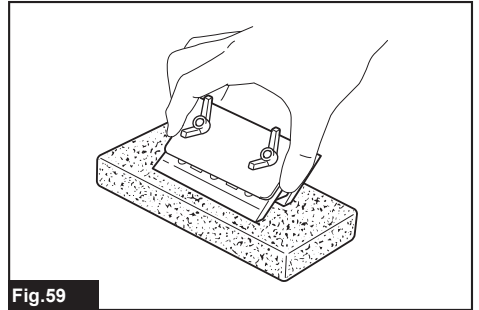


Fig.59

OPTIONAL ACCESSORIES

CAUTION: These accessories or attachments are recommended for use with your Makita tool specified in this manual. The use of any other accessories or attachments might present a risk of injury to persons. Only use accessory or attachment for its stated purpose.

If you need any assistance for more details regarding these accessories, ask your local Makita Service Center.

- High-speed steel Planer blade
- Tungsten-carbide Planer blade (For longer blade life)
- Mini planer blade
- Sharpening holder assembly
- Blade gauge assembly
- Set plate set
- Guide rule assembly
- Dressing stone
- Dust bag assembly
- Elbow
- Chamfering rule assembly
- Wireless unit
- Makita genuine battery and charger

NOTE: Some items in the list may be included in the tool package as standard accessories. They may differ from country to country.

MAKITA LIMITED WARRANTY

Please refer to the annexed warranty sheet for the most current warranty terms applicable to this product. If annexed warranty sheet is not available, refer to the warranty details set forth at below website for your respective country.

United States of America: www.makitatools.com

Canada: www.makita.ca

Other countries: www.makita.com

ESPECIFICACIONES

Modelo:	GPK01
Ancho de cepillado	82 mm (3-1/4")
Profundidad de cepillado	4 mm (5/32")
Profundidad de rebajado	25 mm (1")
Velocidad sin carga	15 000 r/min
Longitud total (con BL4040)	385 mm (15-1/8")
Tensión nominal	36 V - 40 V c.c. máx.
Peso neto	3,7 kg - 4,9 kg (8,2 lbs - 10,8 lbs)

- Debido a nuestro continuo programa de investigación y desarrollo, las especificaciones aquí incluidas están sujetas a cambio sin previo aviso.
- Las especificaciones y el cartucho de batería pueden variar de país a país.
- El peso puede variar en función de los accesorios, incluido el cartucho de batería. En la tabla se muestra la combinación de peso más ligero y más pesado conforme al procedimiento 01/2014 de EPTA.

Cartucho de batería y cargador aplicables

Cartucho de batería	BL4020* / BL4025* / BL4040* / BL4050F * : Batería recomendada
Cargador	DC40RA / DC40RB / DC40RC

- Algunos de los cartuchos de batería y cargadores enumerados arriba podrían no estar disponibles dependiendo de su área de residencia.

⚠ ADVERTENCIA: Use únicamente los cartuchos de batería y los cargadores indicados arriba. El uso de cualquier otro cartucho de batería y cargador podría ocasionar una lesión y/o un incendio.

ADVERTENCIAS DE SEGURIDAD

Advertencias generales de seguridad para herramientas eléctricas

⚠ ADVERTENCIA: Lea todas las advertencias de seguridad, instrucciones, ilustraciones y especificaciones suministradas con esta herramienta eléctrica. El no seguir todas las instrucciones indicadas a continuación podría ocasionar una descarga eléctrica, incendio y/o lesiones graves.

Conserve todas las advertencias e instrucciones como referencia en el futuro.

En las advertencias, el término "herramienta eléctrica" se refiere a su herramienta eléctrica de funcionamiento con conexión a la red eléctrica (con cableado eléctrico) o herramienta eléctrica de funcionamiento a batería (inalámbrica).

Seguridad en el área de trabajo

1. **Mantenga el área de trabajo limpia y bien iluminada.** Las áreas oscuras o desordenadas son propensas a accidentes.

2. **No utilice las herramientas eléctricas en atmósferas explosivas, tal como en la presencia de líquidos, gases o polvo inflamables.** Las herramientas eléctricas crean chispas que pueden prender fuego al polvo o los humos.
3. **Mantenga a los niños y curiosos alejados mientras utiliza una herramienta eléctrica.** Las distracciones le pueden hacer perder el control.

Seguridad eléctrica

1. **Las clavijas de conexión de las herramientas eléctricas deberán encajar perfectamente en la toma de corriente. No modifique nunca la clavija de conexión de ninguna forma. No utilice ninguna clavija adaptadora con herramientas eléctricas que tengan conexión a tierra (puesta a tierra).** La utilización de clavijas no modificadas y que encajen perfectamente en la toma de corriente reducirá el riesgo de que se produzca una descarga eléctrica.
2. **Evite tocar con el cuerpo superficies conectadas a tierra o puestas a tierra tales como tubos, radiadores, cocinas y refrigeradores.** Si su cuerpo es puesto a tierra o conectado a tierra existirá un mayor riesgo de que sufra una descarga eléctrica.
3. **No exponga las herramientas eléctricas a la lluvia ni a condiciones húmedas.** La entrada de agua en una herramienta eléctrica aumentará el riesgo de que se produzca una descarga eléctrica.

4. **No maltrate el cable. Nunca utilice el cable para transportar, jalar o desconectar la herramienta eléctrica.** Mantenga el cable alejado del calor, aceite, objetos cortantes o piezas móviles. Los cables dañados o enredados aumentan el riesgo de sufrir una descarga eléctrica.
5. **Cuando utilice una herramienta eléctrica en exteriores, utilice un cable de extensión apropiado para uso en exteriores.** La utilización de un cable apropiado para uso en exteriores reducirá el riesgo de que se produzca una descarga eléctrica.
6. **Si no es posible evitar usar una herramienta eléctrica en condiciones húmedas, utilice un alimentador protegido con interruptor de circuito de falla a tierra (ICFT).** El uso de un ICFT reduce el riesgo de descarga eléctrica.
7. **Las herramientas eléctricas pueden producir campos electromagnéticos (CEM) que no son dañinos para el usuario.** Sin embargo, si los usuarios tienen marcapasos y otros dispositivos médicos similares, deberán consultar al fabricante de su dispositivo y/o a su médico antes de operar esta herramienta eléctrica.
7. **Si dispone de dispositivos para la conexión de equipos de extracción y recolección de polvo, asegúrese de conectarlos y utilizarlos debidamente.** Hacer uso de la recolección de polvo puede reducir los riesgos relacionados con el polvo.
8. **No permita que la familiaridad adquirida debido al uso frecuente de las herramientas haga que se sienta confiado e ignore los principios de seguridad de las herramientas.** Un descuido podría ocasionar una lesión grave en una fracción de segundo.
9. **Utilice siempre gafas protectoras para proteger sus ojos de lesiones al usar herramientas eléctricas.** Las gafas deben cumplir con la Norma ANSI Z87.1 en EUA. Es responsabilidad del empleador imponer el uso de equipos protectores de seguridad apropiados a los operadores de la herramienta y demás personas cerca del área de trabajo.

Mantenimiento y uso de la herramienta eléctrica

1. **No fuerce la herramienta eléctrica. Utilice la herramienta eléctrica correcta para su aplicación.** La herramienta eléctrica adecuada hará un mejor trabajo y de forma más segura a la velocidad para la que ha sido fabricada.
 2. **No utilice la herramienta eléctrica si el interruptor no la enciende y apaga.** Cualquier herramienta eléctrica que no pueda ser controlada con el interruptor es peligrosa y debe ser reemplazada.
 3. **Desconecte la clavija de la fuente de alimentación y/o retire la batería de la herramienta eléctrica, en caso de ser removible, antes de realizar ajustes, cambiar accesorios o almacenar las herramientas eléctricas.** Tales medidas de seguridad preventivas reducirán el riesgo de poner en marcha la herramienta eléctrica de forma accidental.
 4. **Guarde la herramienta eléctrica que no use fuera del alcance de los niños y no permita que las personas que no están familiarizadas con ella o con las instrucciones la operen.** Las herramientas eléctricas son peligrosas en manos de personas que no saben operarlas.
 5. **Dé mantenimiento a las herramientas eléctricas y los accesorios. Compruebe que no haya piezas móviles desalineadas o estancadas, piezas rotas y cualquier otra condición que pueda afectar al funcionamiento de la herramienta eléctrica.** Si la herramienta eléctrica está dañada, haga que la reparen antes de utilizarla. Muchos de los accidentes son ocasionados por no dar un mantenimiento adecuado a las herramientas eléctricas.
 6. **Mantenga las herramientas de corte limpias y filosas.** Si recibe un mantenimiento adecuado y tiene los bordes afilados, es probable que la herramienta se atasque menos y sea más fácil controlarla.
 7. **Utilice la herramienta eléctrica, los accesorios y las brocas de acuerdo con estas instrucciones, considerando las condiciones laborales y el trabajo a realizar.** Si utiliza la herramienta eléctrica para realizar operaciones distintas de las indicadas, podrá presentarse una situación peligrosa.
- #### Seguridad personal
1. **Manténgase alerta, preste atención a lo que está haciendo y utilice su sentido común cuando opere una herramienta eléctrica. No utilice una herramienta eléctrica cuando esté cansado o bajo la influencia de drogas, alcohol o medicamentos.** Un momento de distracción mientras opera las herramientas eléctricas puede terminar en una lesión grave.
 2. **Use equipo de protección personal. Póngase siempre protección para los ojos.** El equipo protector tal como máscara contra el polvo, zapatos de seguridad antiderrapantes, casco rígido y protección para oídos utilizado en las condiciones apropiadas reducirá el riesgo de lesiones.
 3. **Impida el encendido accidental. Asegúrese de que el interruptor esté en la posición de apagado antes de conectar a la alimentación eléctrica y/o de colocar el cartucho de batería, así como al levantar o cargar la herramienta.** Cargar las herramientas eléctricas con su dedo en el interruptor o enchufarlas con el interruptor encendido hace que los accidentes sean comunes.
 4. **Retire cualquier llave de ajuste o llave de apriete antes de encender la herramienta.** Una llave de ajuste o llave de apriete que haya sido dejada puesta en una parte giratoria de la herramienta eléctrica puede ocasionar alguna lesión.
 5. **No utilice la herramienta donde no alcance. Mantenga los pies sobre suelo firme y el equilibrio en todo momento.** Esto permite un mejor control de la herramienta eléctrica en situaciones inesperadas.
 6. **Use una vestimenta apropiada. No use ropa suelta ni alhajas. Mantenga el cabello, la ropa y los guantes alejados de las piezas móviles.** Las prendas de vestir holgadas, las alhajas y el cabello largo suelto podrían engancharse en estas piezas móviles.

Advertencias de seguridad para el cepillo inalámbrico

8. **Mantenga los mangos y superficies de asiento secos, limpios y libres de aceite o grasa.** Los mangos y superficies de asiento resbalosos no permiten una manipulación segura ni el control de la herramienta en situaciones inesperadas.
9. **Cuando vaya a utilizar esta herramienta, evite usar guantes de trabajo de tela ya que éstos podrían atorarse.** Si los guantes de trabajo de tela llegan a atorarse en las piezas móviles, esto podría ocasionar lesiones personales.

Uso y cuidado de la herramienta a batería

1. **Recargue sólo con el cargador especificado por el fabricante.** Un cargador que es adecuado para un solo tipo de batería puede generar riesgo de incendio al ser utilizado con otra batería.
2. **Utilice las herramientas eléctricas solamente con las baterías designadas específicamente para ellas.** La utilización de cualquier otra batería puede crear un riesgo de lesiones o incendio.
3. **Cuando no se esté usando la batería, manténgala alejada de otros objetos metálicos, como sujetapapeles (clips), monedas, llaves, clavos, tornillos u otros objetos pequeños de metal los cuales pueden actuar creando una conexión entre las terminales de la batería.** Originar un cortocircuito en las terminales puede causar quemaduras o incendios.
4. **En condiciones abusivas, podrá escapar líquido de la batería; evite tocarlo. Si lo toca accidentalmente, enjuague con agua. Si hay contacto del líquido con los ojos, busque asistencia médica.** Puede que el líquido expulsado de la batería cause irritación o quemaduras.
5. **No utilice una herramienta ni una batería que estén dañadas o hayan sido modificadas.** Las baterías dañadas o modificadas podrían ocasionar una situación inesperada provocando un incendio, explosión o riesgo de lesiones.
6. **No exponga la herramienta ni la batería al fuego ni a una temperatura excesiva.** La exposición al fuego o a una temperatura superior a los 130 °C podría causar una explosión.
7. **Siga todas las instrucciones para la carga y evite cargar la herramienta o la batería fuera del rango de temperatura especificado en las instrucciones.** Una carga inadecuada o a una temperatura fuera del rango especificado podría dañar la batería e incrementar el riesgo de incendio.

Servicio

1. **Haga que una persona calificada repare la herramienta eléctrica utilizando sólo piezas de repuesto idénticas.** Esto asegura que se mantenga la seguridad de la herramienta eléctrica.
2. **Nunca dé servicio a baterías que estén dañadas.** El servicio a las baterías solamente deberá ser efectuado por el fabricante o un agente de servicio autorizado.
3. **Siga las instrucciones para la lubricación y cambio de accesorios.**
4. **No modifique ni intente reparar el aparato ni el paquete de baterías salvo como se indique en las instrucciones para el uso y cuidado.**

1. **Espera a que la pieza cortadora se detenga antes de colocar la herramienta en el suelo.** Si la pieza cortadora queda expuesta mientras está girando, ésta podría engancharse con la superficie y ocasionar una posible pérdida de control así como lesiones graves.
2. **Utilice abrazaderas o algún otro modo práctico para asegurar y sujetar la pieza de trabajo a una plataforma estable.** Sostener la pieza de trabajo con la mano o contra su cuerpo produce inestabilidad y podría ocasionar una posible pérdida de control.
3. **Nunca se deben dejar trapos, paños, cuerdas o cordeles en el área de trabajo.**
4. **Evite cortar clavos. Inspeccione y quite todos los clavos de la pieza de trabajo antes de la operación.**
5. **Utilice sólo cuchillas afiladas. Manipule las cuchillas con mucho cuidado.**
6. **Asegúrese de que los pernos de instalación de la cuchilla estén firmemente apretados antes de la operación.**
7. **Sujete la herramienta firmemente con ambas manos.**
8. **Mantenga las manos alejadas de las piezas giratorias.**
9. **Antes de utilizar la herramienta en una pieza de trabajo definitiva, déjela funcionar durante un rato. Observe si hay vibración o bamboleo que pueda indicar una instalación incorrecta o una cuchilla mal equilibrada.**
10. **Asegúrese de que la cuchilla no esté haciendo contacto con la pieza de trabajo antes de activar el interruptor.**
11. **Espera hasta que la cuchilla alcance plena velocidad antes de cortar.**
12. **Siempre apague la herramienta y espere a que las cuchillas se detengan por completo antes de ajustar la profundidad de corte.**
13. **Nunca coloque su dedo en el canal de absorción de astillas. El canal puede obstruirse al cortar madera húmeda. Limpie las astillas con un pañillo.**
14. **No deje la herramienta en marcha. Opere la herramienta solamente cuando la tenga en la mano.**
15. **Cuando reemplace las cuchillas o algunas piezas del tambor, asegúrese de reemplazar las piezas en ambos lados del tambor como un conjunto.** De lo contrario, el desequilibrio resultante ocasionará vibraciones que acortarán la vida útil de la herramienta.
16. **Utilice sólo las cuchillas Makita especificadas en este manual.**
17. **Siempre utilice la máscara contra polvo/respirador para el material y la aplicación con los que esté trabajando.**
18. **Opere la herramienta bajo condiciones estables.** La operación en condiciones inestables podría provocar un daño por lesión.

GUARDE ESTAS INSTRUCCIONES.

⚠ADVERTENCIA: NO DEJE que la comodidad o familiaridad con el producto (a base de utilizarlo repetidamente) evite que siga estrictamente las normas de seguridad para dicho producto.

El USO INCORRECTO o el no seguir las normas de seguridad indicadas en este manual de instrucciones puede ocasionar lesiones graves.

Símbolos

A continuación se muestran los símbolos utilizados para la herramienta.

V	volts o voltios
— — —	corriente directa o continua
n ₀	velocidad en vacío o sin carga
... /min r /min	revoluciones o alternaciones por minuto, frecuencia de rotación

Instrucciones importantes de seguridad para el cartucho de batería

1. Antes de utilizar el cartucho de batería, lea todas las instrucciones e indicaciones de precaución en el (1) el cargador de batería, (2) la batería, y (3) el producto con el que se utiliza la batería.
2. No desarme ni modifique el cartucho de batería. Podría ocurrir un incendio, calor excesivo o una explosión.
3. Si el tiempo de operación se ha acortado en exceso, deje de operar de inmediato. Podría correrse el riesgo de sobrecalentamiento, posibles quemaduras e incluso explosión.
4. En caso de que ingresen electrolitos en sus ojos, enjuáguelos bien con agua limpia y consulte de inmediato a un médico. Esto podría ocasionar pérdida de visión.
5. Evite cortocircuitar el cartucho de batería:
 - (1) No toque las terminales con ningún material conductor.
 - (2) Evite guardar el cartucho de batería en un cajón junto con otros objetos metálicos, tales como clavos, monedas, etc.
 - (3) No exponga el cartucho de batería al agua o la lluvia.

Un cortocircuito en la batería puede causar un flujo grande de corriente, sobrecalentamiento, posibles quemaduras e incluso una descompostura.

6. No guarde ni utilice la herramienta y el cartucho de batería en lugares donde la temperatura pueda alcanzar o exceder los 50 °C (122 °F).
7. Nunca incinere el cartucho de batería incluso en el caso de que esté dañado seriamente o ya no sirva en absoluto. El cartucho de batería puede explotar si se tira al fuego.

8. No clave, corte, aplaste, lance o deje caer el cartucho de batería, ni golpee un objeto sólido contra el cartucho de batería. Dicha acción podría resultar en un incendio, calor excesivo o en una explosión.
9. No use una batería dañada.
10. Las baterías de ión de litio están sujetas a los requisitos reglamentarios en materia de bienes peligrosos.

Para el transporte comercial, por ej., mediante terceros o agentes de transporte, se deben tomar en cuenta los requisitos especiales relativos al empaque y el etiquetado.

Para efectuar los preparativos del artículo que se va a enviar, se requiere consultar a un experto en materiales peligrosos. Si es posible, consulte además otras regulaciones nacionales más detalladas. Pegue o cubra con cinta adhesiva los contactos abiertos y empaque la batería de manera que ésta no pueda moverse dentro del paquete.
11. Para deshacerse del cartucho de batería, sáquelo de la herramienta y deséchelo en un lugar seguro. Siga las regulaciones locales relacionadas al desecho de las baterías.
12. Utilice las baterías únicamente con los productos especificados por Makita. Instalar las baterías en productos que no cumplan con los requisitos podría ocasionar un incendio, un calentamiento excesivo, una explosión o una fuga de electrolito.
13. Si no se utiliza la herramienta por un período largo, debe extraerse la batería de la herramienta.
14. El cartucho de batería podría absorber calor durante y después de su uso, lo que ocasionaría quemaduras o quemaduras a baja temperatura. Tenga cuidado con la manipulación de los cartuchos de batería que estén calientes.
15. No toque el terminal de la herramienta inmediatamente después de su uso, ya que el mismo podría estar lo suficientemente caliente como para provocar quemaduras.
16. No permita que las rebabas, el polvo o la tierra queden atrapados en los terminales, orificios y ranuras del cartucho de batería. Podría provocar calentamiento, incendio, explosión y mal funcionamiento de la herramienta o del cartucho de batería, lo que resultaría en quemaduras o lesiones personales.
17. No utilice el cartucho de batería cerca de cables eléctricos de alto voltaje, a menos que la herramienta sea compatible con el uso cercano a estos cables eléctricos de alto voltaje. Esto podría ocasionar una avería o descompostura de la herramienta o del cartucho de batería.
18. Mantenga la batería alejada de los niños.

GUARDE ESTAS INSTRUCCIONES.

⚠PRECAUCIÓN: Utilice únicamente baterías originales de Makita. El uso de baterías no originales de Makita, o de baterías alteradas, puede ocasionar que las baterías exploten causando un incendio, lesiones personales y daños. Asimismo, esto invalidará la garantía de Makita para la herramienta y el cargador Makita.

Consejos para alargar al máximo la vida útil de la batería

1. Cargue el cartucho de batería antes de que se descargue completamente. Pare siempre la operación y cargue el cartucho de batería cuando note menos potencia en la herramienta.
2. No cargue nunca un cartucho de batería que esté completamente cargado. La sobrecarga acortará la vida de servicio de la batería.
3. Cargue el cartucho de batería a una temperatura ambiente de 10 °C - 40 °C (50 °F - 104 °F). Si un cartucho de batería está caliente, déjelo enfriar antes de cargarlo.
4. Cuando no utilice el cartucho de batería, sáquelo de la herramienta o del cargador.
5. Cargue el cartucho de batería si no va a utilizarlo durante un período prolongado (más de seis meses).

Instrucciones importantes de seguridad para la unidad inalámbrica

1. No desarme ni modifique la unidad inalámbrica.
2. Mantenga la unidad inalámbrica alejada de los niños pequeños. En caso de ingerirla accidentalmente, solicite atención médica de inmediato.
3. Utilice la unidad inalámbrica solamente con herramientas de Makita.
4. No exponga la unidad inalámbrica a la lluvia ni a condiciones de humedad.
5. No utilice la unidad inalámbrica en lugares donde la temperatura exceda los 50 °C (122 °F).
6. No utilice la unidad inalámbrica en lugares donde haya instrumentos médicos tales como marcapasos cerca.
7. No utilice la unidad inalámbrica en lugares donde haya dispositivos automáticos cerca. Si se utiliza, los dispositivos automáticos podrían causar alguna avería o error.
8. No opere la unidad inalámbrica en lugares con alta temperatura o donde pueda generarse electricidad estática o ruido eléctrico.
9. La unidad inalámbrica puede producir campos electromagnéticos (CEM), sin embargo éstos no son dañinos para el usuario.
10. La unidad inalámbrica es un instrumento de precisión. Tenga cuidado de no dejar caer ni golpear la unidad inalámbrica.
11. Evite tocar la terminal de la unidad inalámbrica con las manos descubiertas o con materiales metálicos.
12. Retire siempre la batería del producto al instalar en él la unidad inalámbrica.
13. Cuando abra la tapa de la ranura, evite el lugar donde el polvo y el agua puedan introducirse en la ranura. Mantenga siempre la entrada de la ranura limpia.
14. Inserte siempre la unidad inalámbrica en la dirección correcta.
15. No oprima el botón de activación inalámbrica en la unidad inalámbrica demasiado fuerte, ni lo haga con ningún objeto que tenga un borde filoso.
16. Cierre siempre la tapa de la ranura durante la operación.
17. No retire la unidad inalámbrica de la ranura mientras se esté suministrando energía a la herramienta. El hacerlo podría causar una avería de la unidad inalámbrica.
18. No retire la etiqueta en la unidad inalámbrica.
19. No coloque ninguna etiqueta en la unidad inalámbrica.
20. No deje la unidad inalámbrica en un lugar donde pueda generarse electricidad estática o ruido eléctrico.
21. No deje la unidad inalámbrica en un lugar sujeto a temperaturas altas, tal como un vehículo estacionado bajo el sol.
22. No deje la unidad inalámbrica en un lugar donde haya polvo o suciedad ni en un lugar donde pueda generarse gas corrosivo.
23. Los cambios repentinos de temperatura podrían humedecer la unidad inalámbrica. No utilice la unidad inalámbrica hasta que la condensación se haya secado por completo.
24. Cuando vaya a limpiar la unidad inalámbrica, hágalo cuidadosamente usando un paño suave seco. No utilice bencina, disolvente, grasa conductora o sustancias similares.
25. Cuando vaya a almacenar la unidad inalámbrica, guárdela en el estuche suministrado o en un contenedor libre de electricidad estática.
26. No inserte ningún otro dispositivo que no sea la unidad inalámbrica de Makita en la ranura de la herramienta.
27. No utilice la herramienta si la tapa de la ranura está dañada. La entrada de agua, polvo o suciedad en la ranura podría causar una avería.
28. No jale ni tuerza la tapa de la ranura más de lo necesario. Vuelva a colocar la tapa si ésta se sale de la herramienta.
29. Reemplace la tapa de la ranura si llega a perderse o dañarse.

GUARDE ESTAS INSTRUCCIONES.

DESCRIPCIÓN DEL FUNCIONAMIENTO

⚠PRECAUCIÓN: Asegúrese siempre de que la herramienta esté apagada y el cartucho de batería haya sido extraído antes de realizar cualquier ajuste o comprobación en la herramienta.

Instalación o extracción del cartucho de batería

⚠PRECAUCIÓN: Apague siempre la herramienta antes de colocar o quitar el cartucho de batería.

⚠PRECAUCIÓN: Sujete la herramienta y el cartucho de la batería con firmeza al colocar o quitar el cartucho de batería. Si no se sujeta con firmeza la herramienta y el cartucho de batería, puede ocasionar que se resbalen de sus manos causando daños a la herramienta y al cartucho de batería, así como lesiones a la persona.

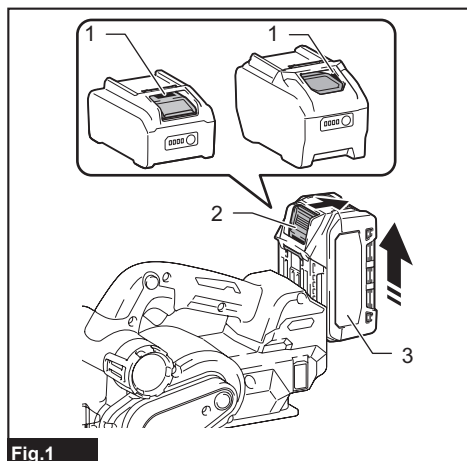


Fig.1

► 1. Indicador rojo 2. Botón 3. Cartucho de batería

Para quitar el cartucho de batería, deslícelo de la herramienta mientras desliza el botón sobre la parte delantera del cartucho.

Para instalar el cartucho de batería, alinee la lengüeta sobre el cartucho de batería con la ranura en la carcasa y deslícela hasta su lugar. Insértelo por completo hasta que se fije en su lugar con un pequeño clic. Si puede ver el indicador rojo como se muestra en la ilustración, este no ha quedado asegurado por completo.

⚠PRECAUCIÓN: Introduzca siempre completamente el cartucho de batería hasta que el indicador rojo no pueda verse. Si no, podría accidentalmente salirse de la herramienta y caer al suelo causando una lesión a usted o alguien a su alrededor.

⚠PRECAUCIÓN: No instale el cartucho de batería a la fuerza. Si el cartucho no se desliza al interior fácilmente, se debe a que no está siendo insertado correctamente.

Sistema de protección para la herramienta/batería

La herramienta está equipada con un sistema de protección de la herramienta/batería. Este sistema corta en forma automática el suministro de energía al motor para prolongar la vida útil de la herramienta y la batería. La herramienta se detendrá automáticamente durante la operación si la herramienta o la batería se someten a una de las siguientes condiciones:

Protección contra sobrecarga

Cuando la herramienta/batería sean utilizadas de una manera que cause que consuman una cantidad inusualmente alta de corriente, la herramienta se detendrá automáticamente. En este caso, apague la herramienta y detenga la aplicación que causó que la herramienta se sobrecargara. Luego encienda la herramienta para volver a arrancarla.

Protección contra sobrecalentamiento

Cuando la herramienta/batería se sobrecaliente, la herramienta se detendrá automáticamente. En este caso, permita que la herramienta/batería se enfríe antes de volver a encender la herramienta.

Protección en caso de sobredescarga

Cuando la capacidad de la batería no es suficiente, la herramienta se detiene automáticamente. En este caso, retire la batería de la herramienta y cárguela.

Protección contra otras causas

El sistema de protección también está diseñado para otras causas que podrían dañar la herramienta, y permite que la herramienta se detenga automáticamente. Siga todos los pasos a continuación para eliminar las causas cuando la herramienta se haya detenido temporalmente o se haya detenido durante el funcionamiento.

1. Apague la herramienta, y luego enciéndala nuevamente para reiniciarla.
2. Cargue la(s) batería(s) o reemplácela(s) con batería(s) recargada(s).
3. Deje que la herramienta y la(s) batería(s) se enfríen.

Si no hay ninguna mejora al restaurar el sistema de protección, comuníquese con su centro local de servicio Makita.

Indicación de la capacidad restante de la batería

Oprima el botón de verificación en el cartucho de la batería para que indique la capacidad restante de la batería. Las luces indicadoras se iluminarán por algunos segundos.

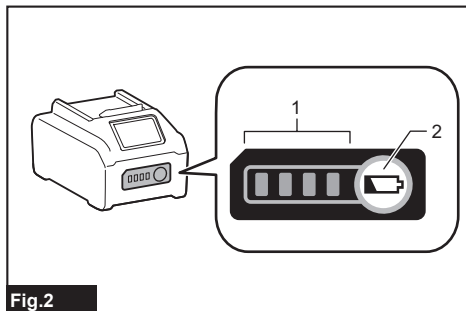


Fig.2

► 1. Luces indicadoras 2. Botón de verificación

Luces indicadoras			Capacidad restante
Iluminadas	Apagadas	Parpadeando	
■ ■ ■ ■	□ □ □ □	▬	75% a 100%
■ ■ ■	□ □ □ □	▬	50% a 75%
■ ■	□ □ □ □	▬	25% a 50%
■	□ □ □ □	▬	0% a 25%
▬	□ □ □ □	▬	Cargar la batería.
■ ■ □ □	□ □ □ □	▬	La batería pudo haber funcionado mal.
□ □ ■ ■	□ □ □ □	▬	

NOTA: Dependiendo de las condiciones de uso y la temperatura ambiente, la indicación podrá diferir ligeramente de la capacidad real.

NOTA: La primera luz indicadora (extrema izquierda) parpadeará cuando el sistema de protección de batería esté en funcionamiento.

Ajuste de la profundidad de corte

PRECAUCIÓN: Siempre apague la herramienta y espere a que las cuchillas se detengan por completo antes de ajustar la profundidad de corte.

NOTA: Al girar la perilla de ajuste de profundidad, asegúrese de sujetar firmemente el mango con la otra mano.

La profundidad de corte se puede ajustar girando la perilla de ajuste de profundidad de la parte delantera de la herramienta. Gire la perilla para alinear el puntero con la profundidad de corte deseada de la escala de profundidad.

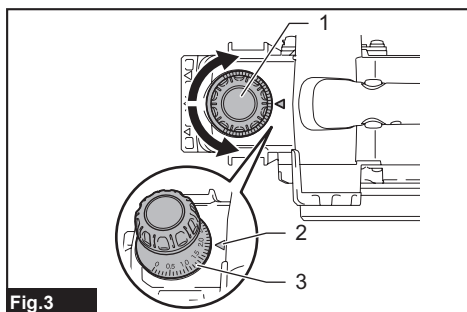


Fig.3

► 1. Perilla de ajuste de profundidad 2. Puntero 3. Escala de profundidad

Accionamiento del interruptor

ADVERTENCIA: Antes de insertar el cartucho de batería en la herramienta, compruebe siempre y cerciórese de que el gatillo interruptor se acciona debidamente y que vuelve a la posición "OFF" (apagado) cuando lo suelta.

ADVERTENCIA: NUNCA inhabilite el botón de desbloqueo manteniéndolo presionado con cinta adhesiva o mediante otro método. El uso de un interruptor con un botón de desbloqueo inhabilitado puede ocasionar una operación accidental y lesiones personales graves.

ADVERTENCIA: NUNCA use la herramienta si se activa simplemente al jalar el gatillo interruptor sin que haya presionado el botón de desbloqueo. El uso de un interruptor que requiere reparación puede ocasionar una operación accidental y lesiones personales graves. Lleve la herramienta a un centro de servicio Makita para las reparaciones apropiadas ANTES de continuar su uso.

AVISO: No jale fuertemente el gatillo interruptor sin presionar el botón de desbloqueo. Esto podría dañar el interruptor.

Para evitar que el gatillo interruptor sea jalado accidentalmente, se proporciona el botón de desbloqueo. Para arrancar la herramienta, presione y mantenga presionado el botón de desbloqueo, y luego jale el gatillo interruptor. Para detenerla, suelte el gatillo interruptor.

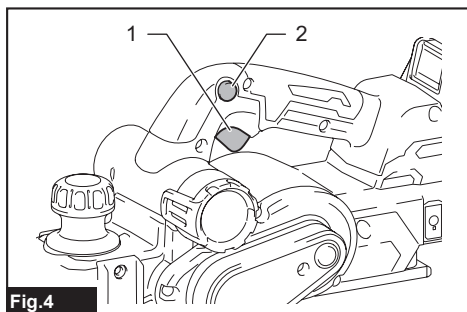


Fig.4

► 1. Gatillo interruptor 2. Botón de desbloqueo

Pie

El pie sale de la base trasera cuando levanta la herramienta de las superficies de trabajo, para evitar que las cuchillas del cepillo toquen la pieza de trabajo directamente. Evita que las cuchillas del cepillo sufran daños accidentales cuando no se utilizan.

El pie regresa a la base trasera cada vez que coloca la base de la herramienta sobre las superficies de trabajo.

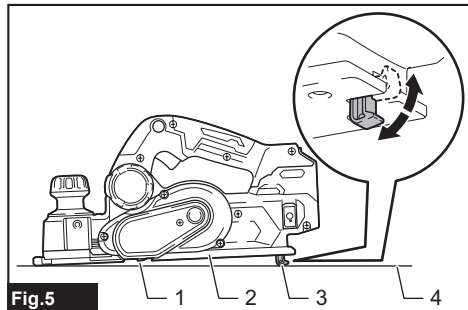


Fig.5

- 1. Cuchilla del cepillo 2. Base posterior 3. Pie
4. Superficie de trabajo

Función para evitar el encendido accidental

Si usted instala el cartucho de batería mientras se jala el gatillo interruptor, la herramienta no arranca. Para arrancar la herramienta, suelte el gatillo interruptor y luego jale el mismo nuevamente mientras oprime el botón de desbloqueo.

Función electrónica

Esta herramienta está equipada con las siguientes funciones electrónicas para facilitar la operación.

Freno eléctrico

La herramienta está equipada con un freno eléctrico. Si de manera consistente la herramienta no logra detenerse rápidamente después de soltar el gatillo interruptor, lleve la herramienta a su centro local de servicio Makita para que le den mantenimiento.

Característica de inicio suave

La función de arranque suave reduce el impacto de encendido y hace que la herramienta se ponga en marcha suavemente.

ENSAMBLE

⚠PRECAUCIÓN: Asegúrese siempre de que la herramienta esté apagada y el cartucho de batería haya sido extraído antes de realizar cualquier trabajo en la misma.

Almacenamiento de la llave de bujías

Cuando no la utilice, guarde la llave de bujías tal como se muestra en la ilustración para evitar que se pierda.

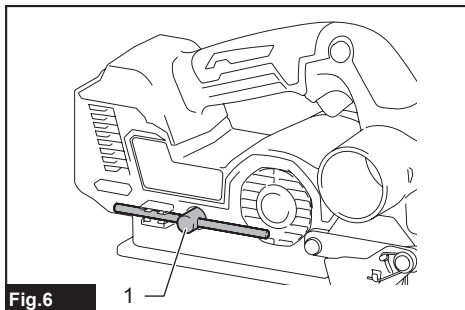


Fig.6

- 1. Llave de bujías

Extracción e instalación de las cuchillas del cepillo

⚠PRECAUCIÓN: Apriete con cuidado los pernos de instalación de las cuchillas cuando coloque las cuchillas del cepillo en la herramienta. Siempre verifique que estén firmemente apretados. Un perno de instalación flojo puede ser peligroso.

⚠PRECAUCIÓN: Manipule las cuchillas del cepillo con mucho cuidado. Utilice guantes o trapos para proteger sus dedos y manos cuando extraiga e instale las cuchillas del cepillo.

⚠PRECAUCIÓN: Utilice sólo la llave Makita provista para extraer e instalar las cuchillas del cepillo. El no hacerlo podría hacer que los pernos de instalación quedaran demasiado apretados o no lo suficiente. Esto podría además causar lesiones.

AVISO: Para instalar las cuchillas del cepillo, limpie todas las astillas y materias extrañas adheridas al tambor o a las cuchillas del cepillo. Utilice cuchillas del cepillo de las mismas dimensiones y peso; de lo contrario, la oscilación/vibración del tambor causará una acción deficiente de cepillado y se producirá una avería de la herramienta.

Para herramientas con cuchillas de cepillo convencionales

NOTA: Un par de cuchillas del cepillo están montadas en el tambor. Repita los siguientes procedimientos para cada cuchilla del cepillo.

Extracción de las cuchillas del cepillo convencionales

1. Desatornille los pernos de instalación del tambor con la llave de bujías provista.
2. Desmonte la placa del tambor y la cuchilla del cepillo convencional (con la placa de ajuste) del tambor.

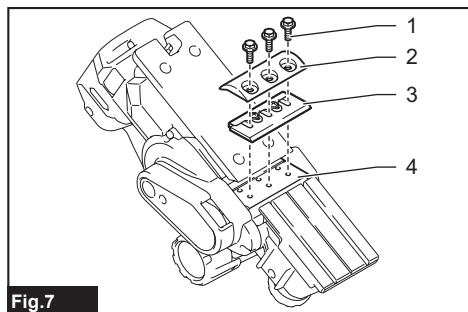


Fig.7

- 1. Perno de instalación 2. Placa del tambor
3. Cuchilla convencional (con placa de ajuste)
4. Tambor

3. Afloje los tornillos de la cuchilla del cepillo convencional, y luego retire la placa de ajuste.

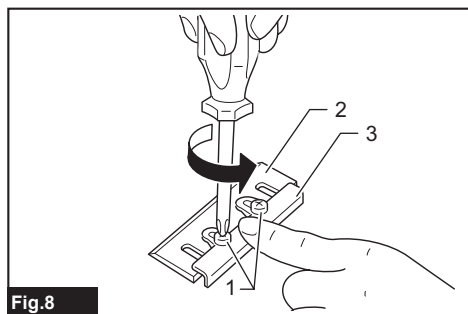


Fig.8

- 1. Tornillos 2. Cuchilla del cepillo convencional
3. Placa de ajuste

Instalación de las cuchillas del cepillo convencionales

1. Coloque una cuchilla del cepillo convencional sobre el calibrador de cuchillas, alineando su borde de corte a lo largo de la pared de guía del calibrador de cuchillas horizontalmente.

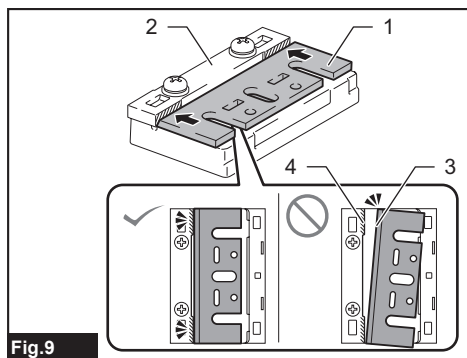


Fig.9

- 1. Cuchilla del cepillo convencional 2. Calibrador de cuchillas 3. Borde de corte 4. Pared de guía

2. Coloque la placa de ajuste sobre la cuchilla del cepillo convencional, y luego apriete ligeramente los tornillos.
3. Empuje la placa de ajuste hacia adelante, hasta que su guía de posicionamiento encaje perfectamente y completamente a lo largo de la pared lateral trasera del calibrador de cuchillas.
4. Sostenga la placa de ajuste donde está, y apriete los tornillos para asegurarla en su lugar.

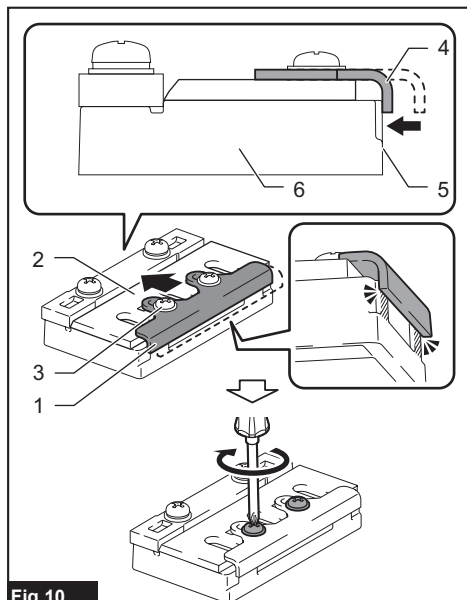


Fig.10

- 1. Placa de ajuste 2. Cuchilla del cepillo convencional 3. Tornillo 4. Guía de posicionamiento 5. Pared lateral trasera 6. Calibrador de cuchillas

5. Limpie todas las astillas de madera y materias extrañas adheridas al tambor y a la cuchilla del cepillo convencional.
6. Deslice la guía de posicionamiento de la placa de ajuste en la ranura de guía en el tambor, y luego coloque la placa del tambor sobre la cuchilla del cepillo convencional (con la placa de ajuste).
7. Apriete cruzados todos los pernos de instalación de manera uniforme con la llave de bujías.

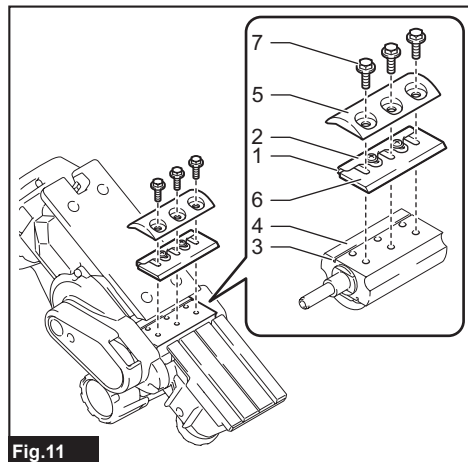


Fig.11

1. Guía de posicionamiento
2. Placa de ajuste
3. Ranura de guía
4. Tambor
5. Placa del tambor
6. Cuchilla del cepillo convencional
7. Perno de instalación

Para herramienta con minicuchillas del cepillo

NOTA: Un par de cuchillas del cepillo están montadas en el tambor. Repita los siguientes procedimientos para cada cuchilla del cepillo.

Extracción de las minicuchillas del cepillo

1. Afloje los pernos de instalación una vuelta con la llave de bujías provista.

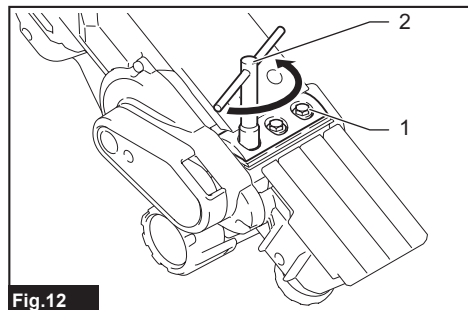


Fig.12

1. Perno de instalación
2. Llave de bujías

2. Deslice la minicuchilla del cepillo fuera del tambor empujando un extremo de la cuchilla hacia afuera desde el lado de la cubierta de la correa.

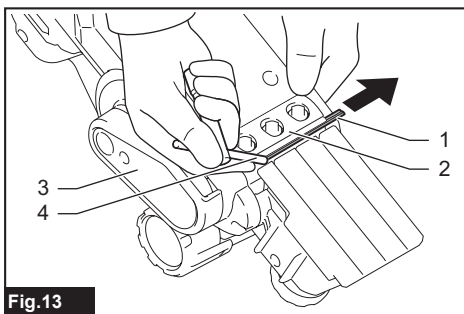


Fig.13

1. Minicuchilla del cepillo
2. Tambor
3. Cubierta de la correa
4. Mango en «T» de la llave de bujías

NOTA: Use los extremos del mango en «T» de la llave de bujías para deslizar la minicuchilla del cepillo hacia afuera, para una operación y mantenimiento más seguros.

Instalación de las minicuchillas del cepillo

1. Limpie todas las astillas de madera y materias extrañas adheridas al tambor y a la minicuchilla del cepillo.
2. Deslice una minicuchilla del cepillo a lo largo entre el tambor y la placa de fijación empujando un extremo de la cuchilla hacia adentro desde el lado opuesto a la cubierta de la correa.
3. Apriete cruzados todos los pernos de instalación de manera uniforme con la llave de bujías.

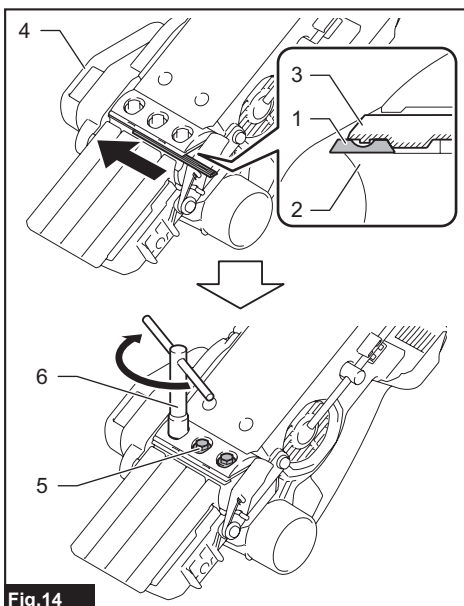


Fig.14

1. Minicuchilla del cepillo
2. Tambor
3. Placa de fijación
4. Cubierta de la correa
5. Perno de instalación
6. Llave de bujías

Calibración de la minicuchilla del cepillo

Realice una calibración de las cuchillas del cepillo a intervalos regulares para optimizar la eficiencia del trabajo.

1. Afloje los pernos de instalación una vuelta con la llave de bujías provista.
2. Deslice la minicuchilla del cepillo fuera del tambor empujando un extremo de la cuchilla hacia afuera desde el lado de la cubierta de la correa.
3. Desatornille los pernos de instalación del tambor con la llave de bujías.
4. Desmonte la placa del tambor y la placa de fijación (con la placa de ajuste) del tambor.

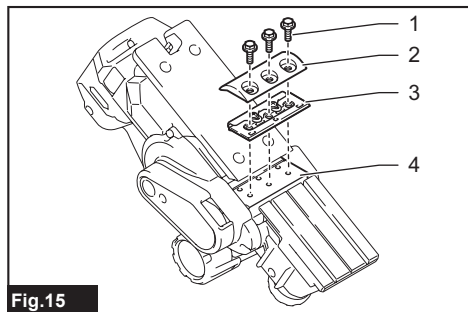


Fig.15

- 1. Perno de instalación 2. Placa del tambor 3. Placa de fijación (con placa de ajuste) 4. Tambor

5. Afloje los tornillos de la placa de fijación una vuelta para desenganchar la placa de ajuste.

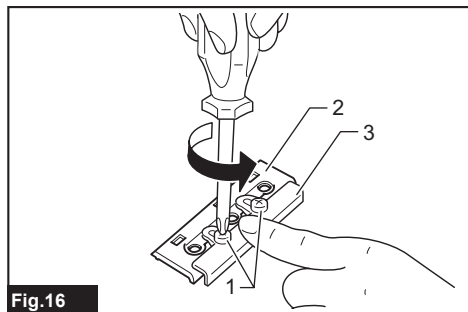


Fig.16

- 1. Tornillos 2. Placa de fijación 3. Placa de ajuste

6. Limpie todas las astillas de madera y materia extraña adheridas a la placa de fijación (con la placa de ajuste) y la minicuchilla del cepillo.

7. Coloque la minicuchilla del cepillo sobre el calibrador de cuchillas, alineando su borde de corte a lo largo de la pared de guía del calibrador de cuchillas horizontalmente.

8. Coloque la placa de fijación (con la placa de ajuste) sobre la minicuchilla del cepillo, alineando las crestas de guía de la placa de fijación con las ranuras de guía de la minicuchilla del cepillo.

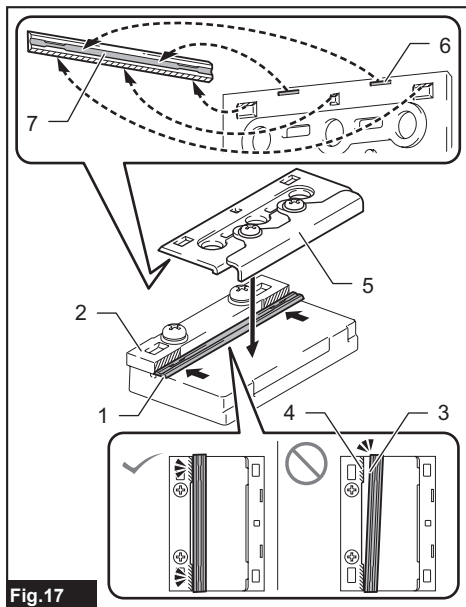


Fig.17

- 1. Minicuchilla del cepillo 2. Calibrador de cuchillas 3. Borde de corte 4. Pared de guía 5. Placa de fijación (con placa de ajuste) 6. Cresta de guía 7. Ranura de guía

9. Empuje la placa de ajuste hacia adelante, hasta que su guía de posicionamiento encaje perfectamente y completamente a lo largo de la pared lateral trasera del calibrador de cuchillas.

10. Sostenga la placa de ajuste donde está, y apriete los tornillos para asegurarla en su lugar.

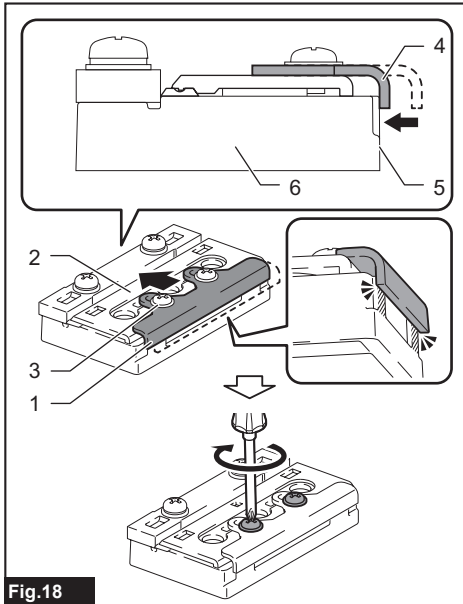


Fig.18

► 1. Placa de ajuste 2. Placa de fijación 3. Tornillo
4. Guía de posicionamiento 5. Pared lateral trasera
6. Calibrador de cuchillas

11. Deslice la guía de posicionamiento de la placa de ajuste en la ranura de guía en el tambor, y luego coloque la placa del tambor sobre la placa de fijación (con la placa de ajuste).

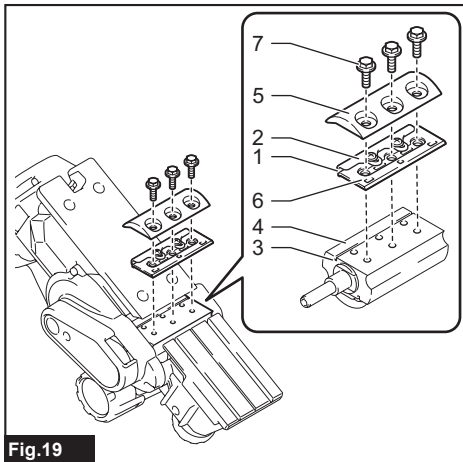


Fig.19

► 1. Guía de posicionamiento 2. Placa de ajuste
3. Ranura de guía 4. Tambor 5. Placa del tambor
6. Placa de fijación 7. Perno de instalación

12. Apriete ligeramente los pernos de instalación y deslice la minicuchilla del cepillo a lo largo entre el tambor y la placa de fijación empujando un extremo de la cuchilla hacia adentro desde el lado opuesto a la cubierta de la correa.

13. Apriete cruzados todos los pernos de instalación de manera uniforme con la llave de bujías.

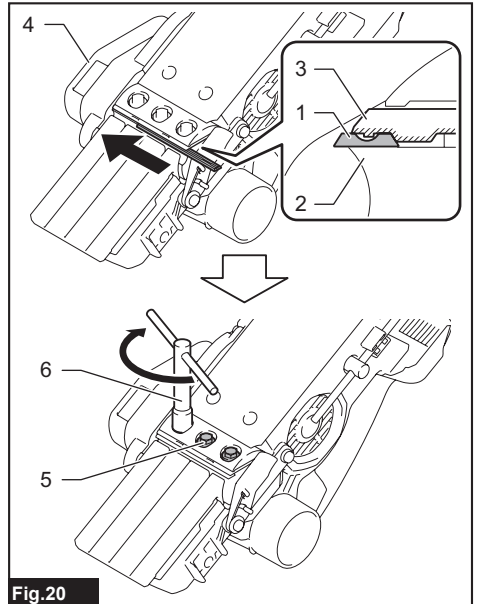


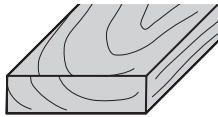
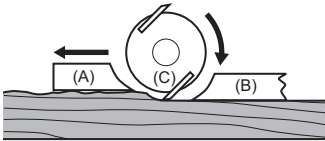
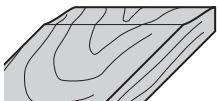
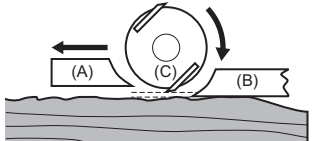
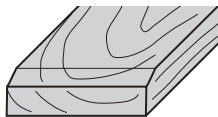
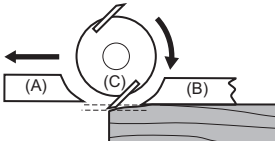
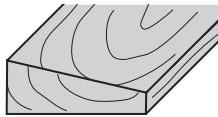
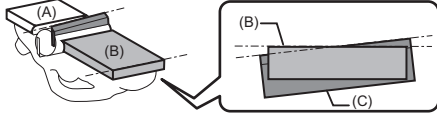
Fig.20

► 1. Minicuchilla del cepillo 2. Tambor 3. Placa de fijación 4. Cubierta de la correa 5. Perno de instalación 6. Llave de bujías

Ajustes de la cuchilla del cepillo

Su superficie de cepillado quedará áspera y dispareja, a menos que las cuchillas del cepillo sean colocadas correctamente aseguradas.

Instale las cuchillas del cepillo correctamente para que los bordes de corte se asienten en un ángulo recto, a un nivel absoluto con la línea de la base trasera y exactamente paralelos a la planta del cepillo. Lea los ejemplos de la tabla para ver los ajustes adecuados.

Superficie de cepillado	Ajuste de la cuchilla	Causa
<p>Ajuste correcto</p> 		<p>Los bordes de corte se asientan a un nivel con la línea de la base trasera, y corren de lado a lado paralelos a la planta del cepillo.</p>
<p>Melladura al principio</p> 		<p>Los bordes de corte alcanzan por debajo de la línea de la base trasera.</p>
<p>Melladura al final</p> 		<p>Los bordes de corte cruzan la línea de la base trasera.</p>
<p>Una pendiente en la superficie</p> 		<p>Los bordes de corte se asientan lado a lado sin paralelo a la planta del cepillo.</p>
<p>(A): Base delantera (zapata ajustable) (B): Base trasera (zapata fija) (C): Cuchilla del cepillo</p>		

Instalación de la regla guía

1. Coloque la herramienta abajo con la cubierta de la correa hacia arriba.
2. Monte la regla guía en su lugar, asegurándola con el tornillo de mariposa en el orificio de montaje del costado del cabezal de la herramienta.

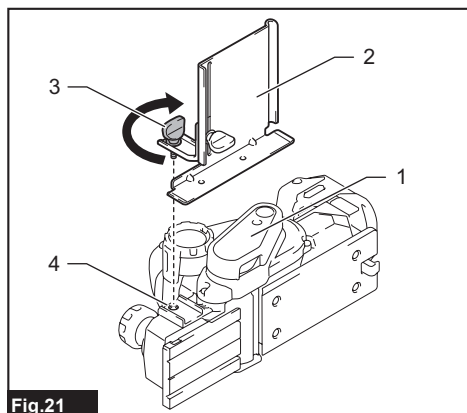


Fig.21

- 1. Cubierta de la correa 2. Regla guía 3. Tornillo de mariposa 4. Orificio de montaje

3. Deslice la guía lateral hacia adentro y hacia afuera hasta el ancho de cepillado deseado, y luego apriete el tornillo de mariposa para fijarlo en la posición requerida.

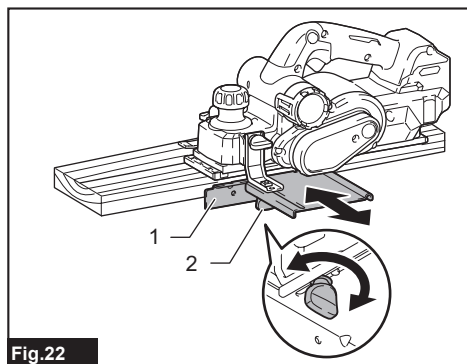


Fig.22

- 1. Guía lateral 2. Tornillo de mariposa

Instalación de la guía de profundidad

1. Coloque la herramienta abajo con la cubierta de la correa hacia abajo.
2. Monte la guía de profundidad en su lugar, asegurándola con la arandela y el tornillo de mariposa en el orificio de montaje del costado del cabezal de la herramienta.

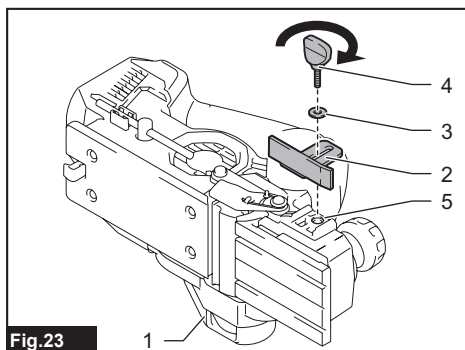


Fig.23

- 1. Cubierta de la correa 2. Guía de profundidad 3. Arandela 4. Tornillo de mariposa 5. Orificio de montaje

3. Deslice la guía de profundidad hacia arriba y hacia abajo a la profundidad de cepillado deseada, y luego apriete el tornillo de mariposa para fijarlo en la posición requerida.

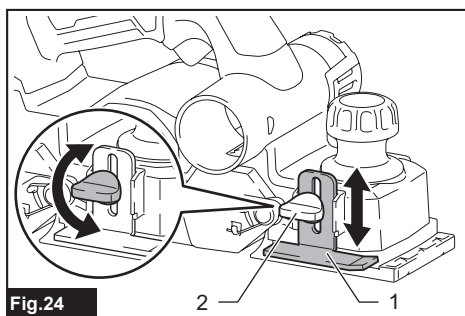


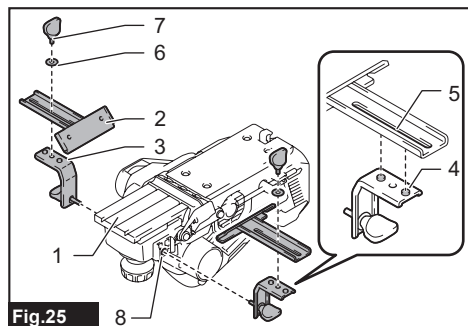
Fig.24

- 1. Guía de profundidad 2. Tornillo de mariposa

Instalación de las reglas para biselado

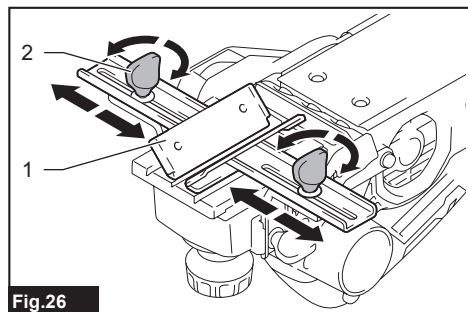
Accesorio opcional

1. Coloque la herramienta abajo con la base delantera hacia arriba.
2. Fije las guías laterales a los brazos de montaje, alineando las protuberancias de los brazos con las hendiduras de guía en las guías laterales, y asegúrelas con las arandelas y los tornillos de mariposa.
3. Monte las reglas para biselado (juegos de guías laterales y brazos de montaje) en su lugar asegurándolos con los tornillos de mariposa en los orificios de montaje a ambos lados del cabezal de la herramienta.



- 1. Base delantera 2. Guía lateral 3. Brazo de montaje 4. Protuberancia 5. Hendidura de guía 6. Arandela 7. Tornillo de mariposa 8. Orificio de montaje

4. Deslice las guías laterales hacia adentro y hacia afuera a su nivel de biselado deseado, y luego apriete los tornillos de mariposa para fijarlos en la posición requerida.

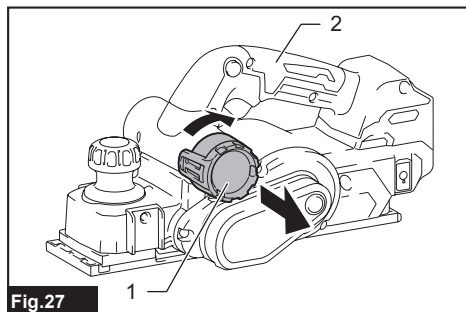


- 1. Guía lateral 2. Tornillo de mariposa

Extracción de polvo y astillas de madera

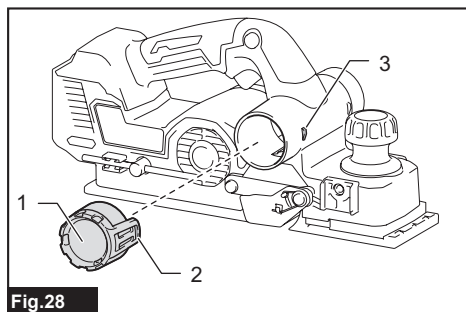
El polvo y las astillas de madera pueden salir del lado izquierdo o derecho de las aberturas de descarga. Cubra una de las aberturas de descarga del lado opuesto a su dirección de extracción de polvo preferida con el tapón.

Para quitar el tapón de la abertura de descarga, gire ligeramente el tapón hacia el mango para desenganchar el seguro, y luego sepárelo.



- 1. Tapón 2. Mango

En cuanto a la instalación, inserte el tapón directamente en una de las aberturas alineando la ranura de bloqueo en el tapón con la protuberancia de la guía de la abertura hasta que encaje en su lugar.



- 1. Tapón 2. Ranura de bloqueo 3. Protuberancia de la guía

Bolsa recolectora de polvo

Accesorio opcional

Coloque la bolsa recolectora de polvo sobre una de las aberturas de descarga, y empújela firmemente hasta el tope. Asegúrese de que la bolsa recolectora de polvo esté colocada de forma segura sobre la abertura ahusada, para que no se salga durante el funcionamiento.

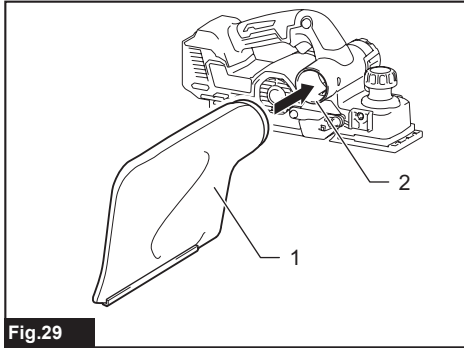


Fig.29

► 1. Bolsa para polvo 2. Abertura de descarga

Cuando la bolsa recolectora de polvo se haya llenado casi a la mitad, retírela de la herramienta y abra el cierre. Vacíe la bolsa recolectora de polvo. Golpee ligeramente la bolsa recolectora de polvo a fin de remover las partículas adheridas en el interior que pudieran dificultar la recolección más adelante.

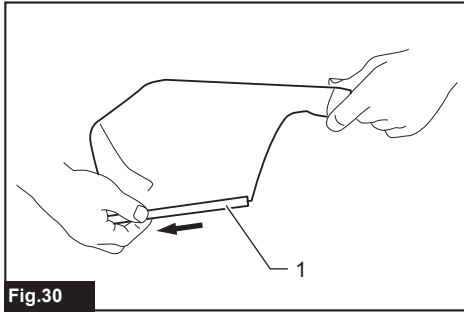


Fig.30

► 1. Sujetador

NOTA: Si conecta un aspirador Makita a esta herramienta, podrá realizar operaciones más eficaces y limpias.

Conexión de un aspirador

Cuando desee realizar una operación de cepillado con limpieza, conecte una aspiradora de Makita a la herramienta. Conecte la manguera de la aspiradora a una de las aberturas de descarga, tal como se muestra en la figura.

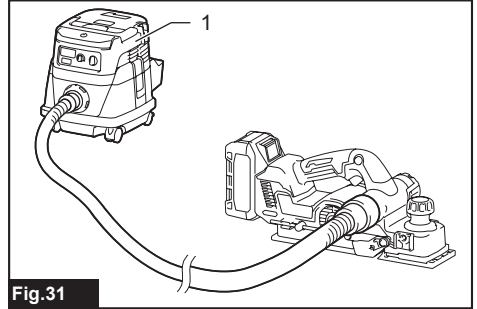


Fig.31

► 1. Aspirador

Codo

Accesorio opcional

Utilice un codo extractor de polvo para condensar el flujo de aire de extracción en los ángulos preferidos para un entorno de trabajo más limpio. Coloque el codo en una de las aberturas de descarga, y empuje firmemente hasta el tope.

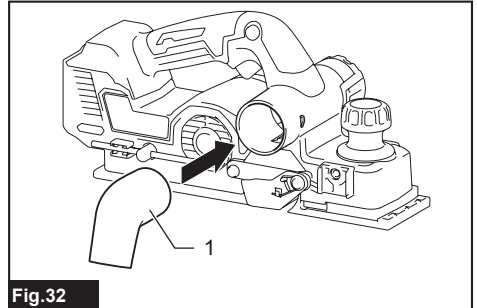


Fig.32

► 1. Codo

OPERACIÓN

⚠PRECAUCIÓN: Sujete la herramienta firmemente con una mano en el mango del interruptor y la otra mano en la perilla de ajuste de profundidad al utilizar la herramienta.

Cepillado

1. Sujete la herramienta firmemente con ambas manos, una mano sobre el mango del interruptor y la otra mano en la perilla de ajuste de profundidad.
2. Coloque la base delantera de la herramienta de manera plana sobre la superficie de la pieza de trabajo sin que las cuchillas del cepillo hagan contacto alguno.

3. Encienda la herramienta y espere hasta que alcance su velocidad completa.

4. Mueva suavemente la herramienta hacia adelante, aplicando un poco más de presión hacia abajo en la perilla de ajuste de profundidad al arranque, para mantener toda la base del cepillo nivelado y uniforme con la superficie de la pieza de trabajo.

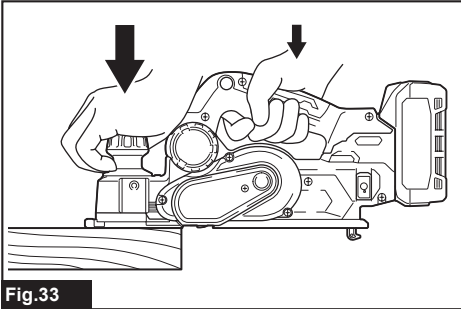


Fig.33

5. Tenga cuidado de aplicar presión uniformemente sobre la superficie de la pieza de trabajo en medio de la operación, y empuje la herramienta de manera constante hacia adelante.

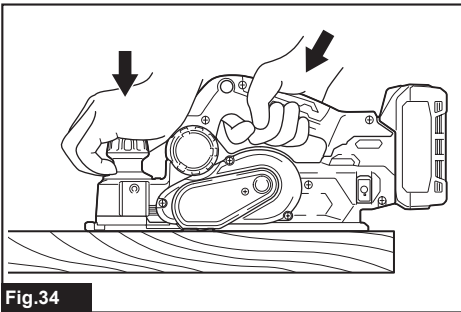


Fig.34

NOTA: Equilibre la presión de la mano entre el mango del interruptor y la perilla de ajuste de profundidad, ya que la base delantera y la base trasera hacen contacto con la superficie de la pieza de trabajo.

6. Aplique un mayor control en el mango del interruptor para evitar sobrepasar el alcance al final de una pasada, ya que la base delantera se caerá de la superficie de la pieza de trabajo.

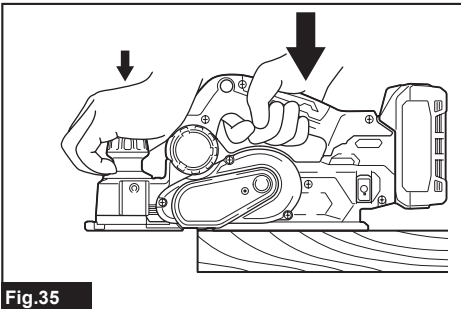


Fig.35

NOTA: El cepillado puede ser más fácil si coloca la pieza de trabajo con una ligera inclinación hacia adelante para aliviar la presión para sostener la herramienta durante la operación.

NOTA: Ajuste la velocidad y la profundidad de corte para los acabados de superficie deseados.

Para un acabado rugoso, ponga la profundidad de corte lo suficientemente profunda en la pieza de trabajo.

Para un acabado limpio y fino, empuje la herramienta lentamente con poca profundidad de corte, y dé más pasadas.

Rebaje a media madera (rebajo)

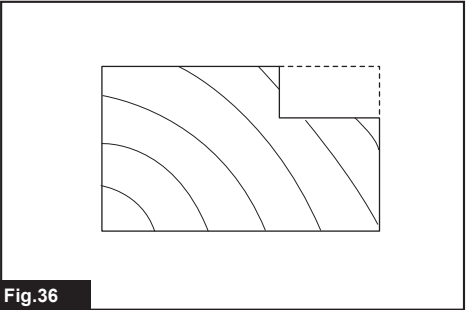


Fig.36

Use la regla guía para hacer un corte escalonado, tal como se muestra en la figura.

1. Instale la regla guía y la guía de profundidad en la herramienta, y fíjelas con las arandelas y los tornillos de mariposa.
2. Ajuste la guía de profundidad a la profundidad del rebajado, y fíjela en su lugar con el tornillo de mariposa.
3. Dibuje una línea de corte en la pieza de trabajo, y alinee el borde de la cuchilla con la línea de corte.

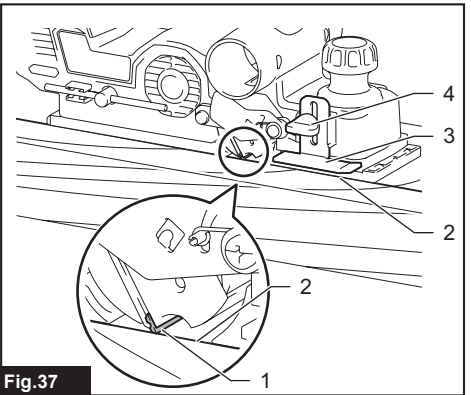


Fig.37

- ▶ 1. Filo de cuchilla de corte 2. Línea de corte 3. Guía de profundidad 4. Tornillo de mariposa

NOTA: Asegúrese de que el borde de la cuchilla sobresalga del extremo lateral del tambor 1,6 mm a 1,8 mm (1/16") para el rebajado. (Véase "A" en la figura a continuación).

* Puede optar por dejar que el borde de la cuchilla sobresalga de la base delantera 0,2 mm a 0,4 mm (1/64"). (Véase "B" en la figura a continuación).

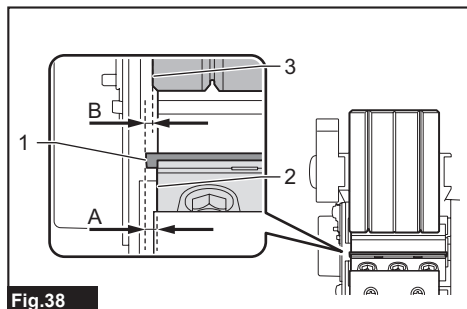


Fig.38

- ▶ 1. Borde de la cuchilla 2. Extremo lateral del tambor 3. Extremo lateral de la base delantera

4. Deslice la guía lateral en la regla guía hacia adentro hasta que entre en contacto con la pared lateral de la pieza de trabajo. Luego, sujétela en su lugar con el tornillo de mariposa.

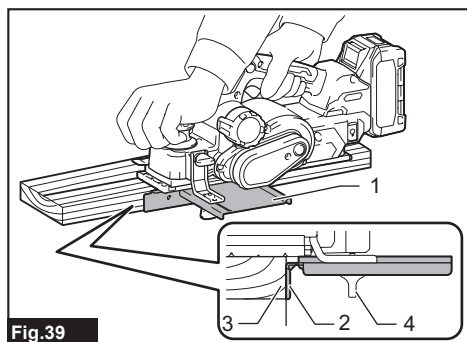


Fig.39

- ▶ 1. Regla guía 2. Guía lateral 3. Pared lateral 4. Tornillo de palometa

5. Realice la operación de cepillado moviendo la herramienta con toda la guía lateral deslizándose a lo largo de la pared lateral de la pieza de trabajo.

NOTA: Las longitudes de alcance de la guía lateral se pueden extender colocando un trozo de madera adicional en los orificios de fijación de la guía lateral.

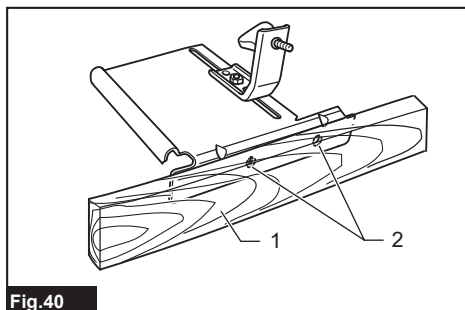


Fig.40

- ▶ 1. Trozo de madera adicional 2. Orificios de fijación

Achaflanado

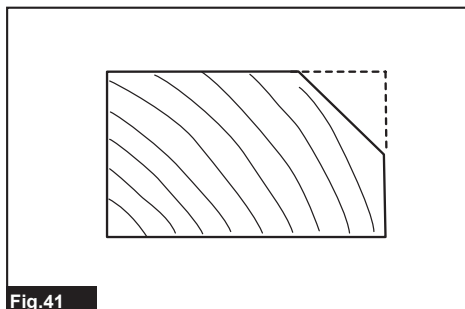


Fig.41

Utilice las ranuras en "V" cortadas en la base delantera para hacer un corte biselado, como se muestra en la figura.

Realice la operación de cepillado moviendo la herramienta alineando una de las tres ranuras en "V" de la base delantera con el borde de la esquina de la pieza de trabajo.

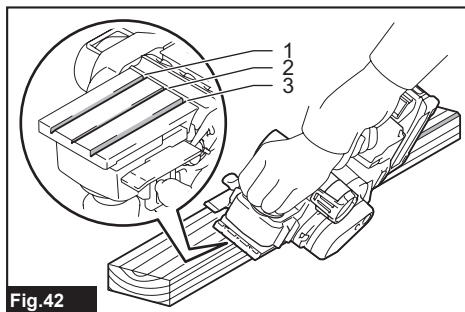


Fig.42

- ▶ 1. Ranura V (cantidad media de achaflanado)
- 2. Ranura V (cantidad baja de achaflanado)
- 3. Ranura V (cantidad alta de achaflanado)

Uso de las reglas para biselado

Accesorio opcional

1. Deslice las guías laterales en las reglas para biselado hacia adentro hasta que entren en contacto con las paredes de las esquinas de la pieza de trabajo.
2. Asegure las guías laterales en su lugar con los tornillos de mariposa.
3. Realice la operación de cepillado moviendo la herramienta con todas las guías laterales, deslizándose a lo largo de las paredes de esquina de la pieza de trabajo.

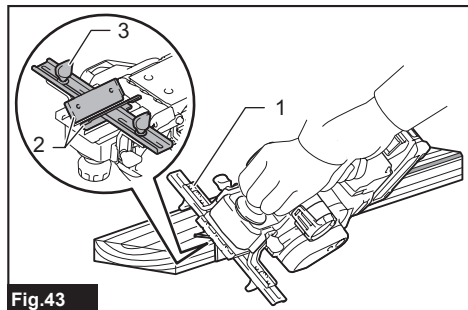


Fig.43

- 1. Regla de aplanado 2. Guías laterales
3. Tornillo de mariposa

NOTA: Para biselados grandes, realice varias pasadas de cepillado, comenzando desde un biselado pequeño hasta un biselado más grande, como se muestra en la figura.

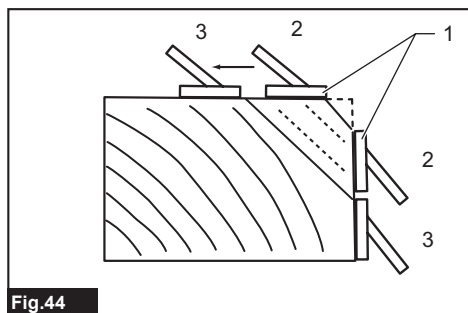


Fig.44

- 1. Borde de la regla de aplanado 2. Biselado pequeño 3. Biselado grande

FUNCIÓN DE ACTIVACIÓN INALÁMBRICA

Lo que puede hacer con la función de activación inalámbrica

La función de activación inalámbrica permite una operación limpia y cómoda. Si conecta a la herramienta una aspiradora compatible, podrá hacer que ésta funcione automáticamente al activar el interruptor de la herramienta.

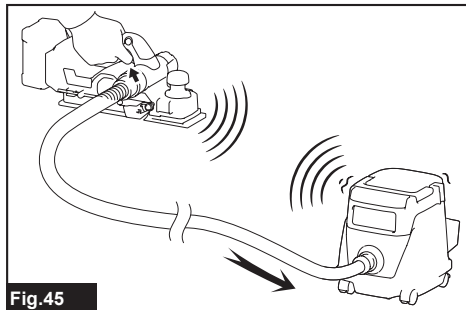


Fig.45

Para hacer uso de la función de activación inalámbrica, tenga preparado lo siguiente:

- Una unidad inalámbrica (accesorios opcionales)
- Una aspiradora compatible con la función de activación inalámbrica

A continuación se presenta la descripción general del ajuste de la función de activación inalámbrica. Consulte cada sección para ver los procedimientos a detalle.

1. Instalación de la unidad inalámbrica
2. Registro de la herramienta para la aspiradora
3. Inicio de la función de activación inalámbrica

Instalación de la unidad inalámbrica

Accesorio opcional

⚠PRECAUCIÓN: Coloque la herramienta sobre una superficie plana y estable cuando vaya a instalar la unidad inalámbrica.

AVISO: Limpie el polvo y la suciedad en la herramienta antes de instalar la unidad inalámbrica.

El polvo o la suciedad podrían causar una avería si llegan a introducirse en la ranura de la unidad inalámbrica.

AVISO: Para evitar una avería a causa de la electricidad estática, toque un material de descarga de electricidad estática, tal como una pieza metálica de la herramienta, antes de levantar la unidad inalámbrica.

AVISO: Cuando vaya a instalar la unidad inalámbrica, asegúrese siempre de que ésta sea insertada en la dirección correcta y que la tapa esté completamente cerrada.

1. Abra la tapa en la herramienta tal como se muestra en la ilustración.

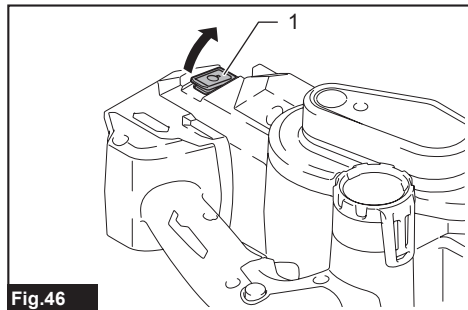


Fig.46

- 1. Tapa

2. Inserte la unidad inalámbrica en la ranura y luego cierre la tapa.

Cuando inserte la unidad inalámbrica, alinee las partes salientes con las partes cóncavas en la ranura.

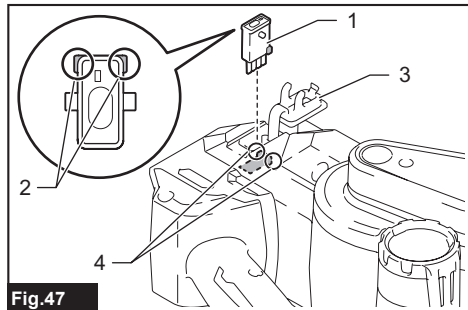


Fig.47

- 1. Unidad inalámbrica 2. Parte saliente 3. Tapa
4. Parte cóncava

Cuando extraiga la unidad inalámbrica, abra la tapa lentamente. Los ganchos en la parte posterior de la tapa levantarán la unidad inalámbrica mientras usted jala hacia arriba la tapa.

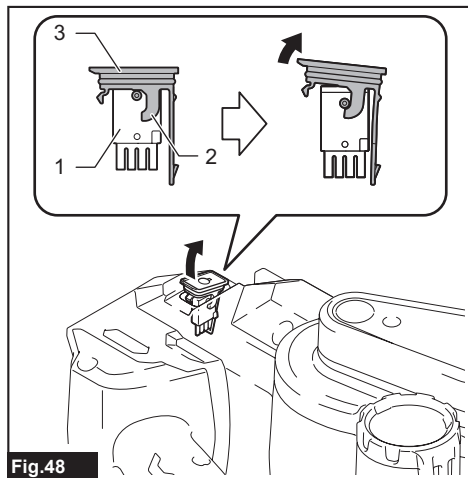


Fig.48

- 1. Unidad inalámbrica 2. Gancho 3. Tapa

Una vez extraída la unidad inalámbrica, guárdela en el estuche suministrado o en un contenedor libre de electricidad estática.

AVISO: Use siempre los ganchos en la parte posterior de la tapa cuando extraiga la unidad inalámbrica. Si los ganchos no sujetan la unidad inalámbrica, cierre la tapa por completo y vuelva a abrirla lentamente.

Registro de la herramienta para la aspiradora

NOTA: Para el registro de la herramienta, se requiere una aspiradora Makita compatible con la función de activación inalámbrica.

NOTA: Termine de instalar la unidad inalámbrica en la herramienta antes de comenzar con el registro de la herramienta.

NOTA: Durante el registro de la herramienta, no jale el gatillo interruptor ni active el interruptor de encendido en la aspiradora.

NOTA: Consulte también el manual de instrucciones de la aspiradora.

Si desea activar la aspiradora junto con el interruptor de la herramienta, termine antes con el registro de la herramienta.

1. Instale las baterías en la aspiradora y en la herramienta.
2. Ajuste el interruptor de modo en espera en la aspiradora en "AUTO".

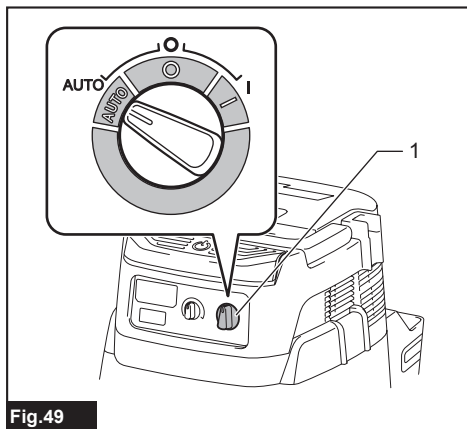


Fig.49

- 1. Interruptor de modo en espera

3. Oprima el botón de activación inalámbrica en la aspiradora durante 3 segundos hasta que la luz indicadora de activación inalámbrica parpadee en verde. Y luego oprima el botón de activación inalámbrica en la herramienta de la misma manera.

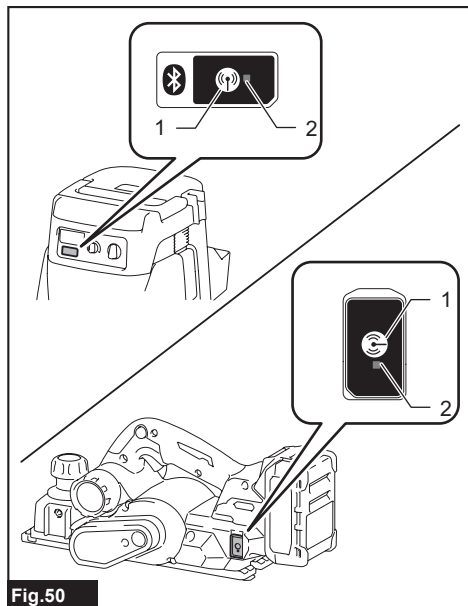


Fig.50

► 1. Botón de activación inalámbrica 2. Luz indicadora de activación inalámbrica

Si la aspiradora y la herramienta han sido conectadas exitosamente, las luces indicadoras de activación inalámbrica se encenderán en verde durante 2 segundos y comenzarán a parpadear en azul.

NOTA: Las luces indicadoras de activación inalámbrica terminarán parpadear en verde después de un lapso de 20 segundos. Oprima el botón de activación inalámbrica en la herramienta mientras la luz indicadora de activación inalámbrica en la aspiradora esté parpadearo. Si la luz indicadora de activación inalámbrica no parpadea en verde, oprima el botón de activación inalámbrica durante un lapso breve y vuelva a mantenerlo oprimido.

NOTA: Cuando realice dos o más registros de la herramienta para una aspiradora, termine el registro de la herramienta de uno en uno.

Inicio de la función de activación inalámbrica

NOTA: Termine con el registro de la herramienta para la aspiradora antes de la activación inalámbrica.

NOTA: Consulte también el manual de instrucciones de la aspiradora.

Después de registrar una herramienta en la aspiradora, esta última se activará automáticamente junto con el interruptor de la herramienta.

1. Instale la unidad inalámbrica en la herramienta.

2. Conecte la manguera de la aspiradora a la herramienta.

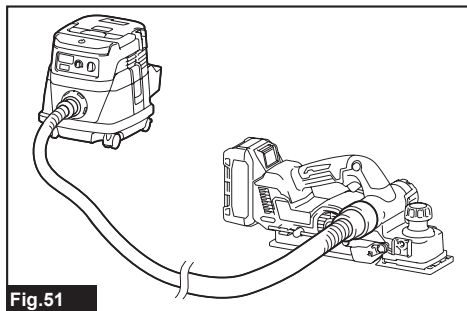


Fig.51

3. Ajuste el interruptor de modo en espera en la aspiradora en "AUTO".

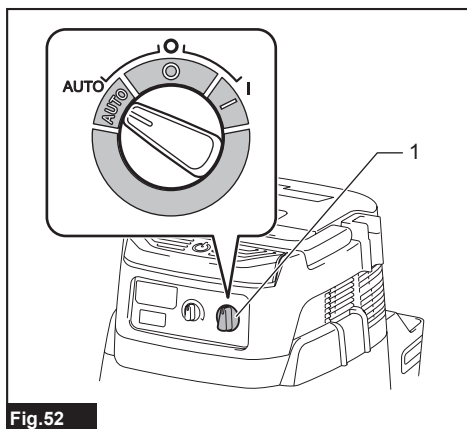


Fig.52

► 1. Interruptor de modo en espera

4. Oprima el botón de activación inalámbrica en la herramienta durante un lapso breve. La luz indicadora de activación inalámbrica parpadeará en azul.

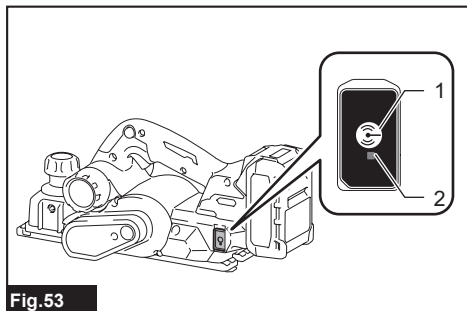


Fig.53

► 1. Botón de activación inalámbrica 2. Luz indicadora de activación inalámbrica

5. Encienda la herramienta. Compruebe si la aspiradora funciona mientras la herramienta está en funcionamiento.

Para detener la activación inalámbrica de la aspiradora, oprima el botón de activación inalámbrica en la herramienta.

NOTA: La luz indicadora de activación inalámbrica en la herramienta dejará de parpadear en azul cuando no haya operación durante 2 horas. En este caso, ajuste el interruptor de modo en espera en la aspiradora en "AUTO" y oprima el botón de activación inalámbrica en la herramienta nuevamente.

NOTA: La aspiradora funcionará/detendrá con un retraso. Existirá un desfase cuando la aspiradora detecte la activación del interruptor de la herramienta.

NOTA: La distancia de transmisión de la unidad inalámbrica podrá variar en función del lugar y las circunstancias de los alrededores.

NOTA: Cuando dos o más herramientas estén registradas en una aspiradora, esta última podrá comenzar a funcionar incluso si usted no enciende su herramienta, debido a que otro usuario está utilizando la función de activación inalámbrica.

Descripción del estado de la luz indicadora de activación inalámbrica

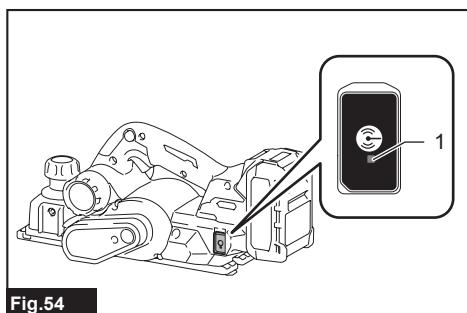


Fig.54

► 1. Luz indicadora de activación inalámbrica

La luz indicadora de activación inalámbrica muestra el estado de la función de activación inalámbrica. Consulte la tabla a continuación para ver qué significa el estado de la luz indicadora.

Estado	Luz indicadora de activación inalámbrica				Descripción
	Color	■ Encendida	▣ Parpadeando	Duración	
En espera	Azul	▣	■	2 horas	La activación inalámbrica de la aspiradora está disponible. La luz se apagará automáticamente cuando no se realice ninguna operación durante 2 horas.
		■	▣	Cuando la herramienta está funcionando.	La activación inalámbrica de la aspiradora está disponible y la herramienta está funcionando.
Registro de la herramienta	Verde	▣	■	20 segundos	Ya se puede realizar el registro de la herramienta. Esperando el registro por parte de la aspiradora.
		■	▣	2 segundos	El registro de la herramienta ha terminado. La luz indicadora de activación inalámbrica comenzará a parpadear en azul.
Cancelación del registro de la herramienta	Rojo	▣	■	20 segundos	Ya se puede cancelar el registro de la herramienta. Esperando la cancelación por parte de la aspiradora.
		■	▣	2 segundos	La cancelación del registro de la herramienta ha terminado. La luz indicadora de activación inalámbrica comenzará a parpadear en azul.
Otros	Rojo	■	-	3 segundos	La energía es suministrada a la unidad inalámbrica y la función de activación inalámbrica está arrancando.
	Apagada	-	-	-	La activación inalámbrica de la aspiradora se ha detenido.

Cancelación del registro de la herramienta para la aspiradora

Realice el siguiente procedimiento para cancelar el registro de la herramienta para la aspiradora.

1. Instale las baterías en la aspiradora y en la herramienta.
2. Ajuste el interruptor de modo en espera en la aspiradora en "AUTO".

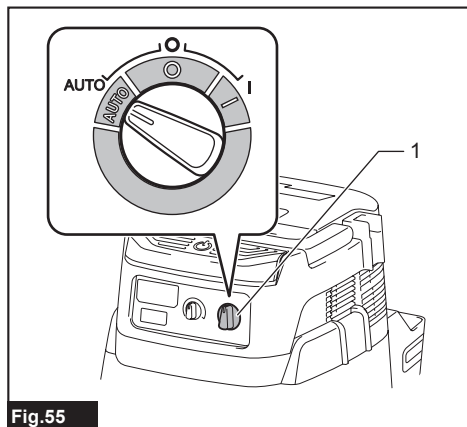


Fig.55

- 1. Interruptor de modo en espera

3. Oprima el botón de activación inalámbrica en la aspiradora durante 6 segundos. La luz indicadora de activación inalámbrica parpadeará en verde y luego se pondrá en rojo. Después de eso, oprima el botón de activación inalámbrica en la herramienta de la misma manera.

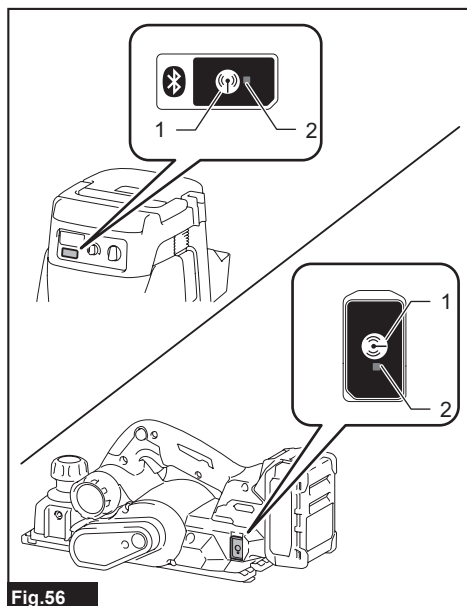


Fig.56

- 1. Botón de activación inalámbrica 2. Luz indicadora de activación inalámbrica

Si la cancelación se realiza exitosamente, las luces indicadoras de activación inalámbrica se encenderán en rojo durante 2 segundos y comenzarán a parpadear en azul.

NOTA: Las luces indicadoras de activación inalámbrica terminarán parpadear en rojo después de un lapso de 20 segundos. Oprima el botón de activación inalámbrica en la herramienta mientras la luz indicadora de activación inalámbrica en la aspiradora esté parpadearando. Si la luz indicadora de activación inalámbrica no parpadea en rojo, oprima el botón de activación inalámbrica durante un lapso breve y vuelva a mantenerlo oprimido.

DetECCIÓN Y SOLUCIÓN DE PROBLEMAS PARA LA FUNCIÓN DE ACTIVACIÓN INALÁMBRICA

Antes de solicitar alguna reparación, primero realice una inspección por su cuenta. Si detecta algún problema que no esté explicado en el manual, no intente desensamblar la herramienta. En vez de esto, solicite la reparación a un centro de servicio autorizado de Makita, usando siempre piezas de repuesto Makita.

Estado de la anomalía	Causa probable (avería)	Remedio
La luz indicadora de activación inalámbrica no enciende/parpadea.	La unidad inalámbrica no está instalada en la herramienta. La unidad inalámbrica está instalada incorrectamente en la herramienta.	Instale la unidad inalámbrica correctamente.
	La terminal de la unidad inalámbrica y/o la ranura está sucia.	Retire con cuidado el polvo y la suciedad en la terminal de la unidad inalámbrica y limpie la ranura.
	El botón de activación inalámbrica en la herramienta no se ha oprimido.	Oprima el botón de activación inalámbrica en la herramienta durante un lapso breve.
	El interruptor de modo en espera en la aspiradora no está ajustado en "AUTO".	Ajuste el interruptor de modo en espera en la aspiradora en "AUTO".
	No hay suministro de energía.	Suministre energía a la herramienta y a la aspiradora.
No se puede terminar/cancelar el registro de la herramienta exitosamente.	La unidad inalámbrica no está instalada en la herramienta. La unidad inalámbrica está instalada incorrectamente en la herramienta.	Instale la unidad inalámbrica correctamente.
	La terminal de la unidad inalámbrica y/o la ranura está sucia.	Retire con cuidado el polvo y la suciedad en la terminal de la unidad inalámbrica y limpie la ranura.
	El interruptor de modo en espera en la aspiradora no está ajustado en "AUTO".	Ajuste el interruptor de modo en espera en la aspiradora en "AUTO".
	No hay suministro de energía.	Suministre energía a la herramienta y a la aspiradora.
	Operación incorrecta	Oprima el botón de activación inalámbrica durante un lapso breve y realice los procedimientos de registro/cancelación de la herramienta nuevamente.
	La herramienta y la aspiradora están lejos una de la otra (fuera del rango de transmisión).	Acerque más la herramienta a la aspiradora. La distancia máxima de transmisión es de aproximadamente 10 m, pero puede variar en función de las circunstancias.
	Antes de terminar el registro o cancelación de la herramienta: - que el interruptor de la herramienta se encienda; o - que el botón de la aspiradora se encienda.	Oprima el botón de activación inalámbrica durante un lapso breve y realice los procedimientos de registro/cancelación de la herramienta nuevamente.
	Los procedimientos de registro para la herramienta o aspiradora no se han terminado.	Realice los procedimientos de registro tanto para la herramienta como para la aspiradora al mismo tiempo.
La perturbación radioeléctrica generada por otros aparatos que emiten ondas de radio de alta intensidad.	Mantenga la herramienta y la aspiradora lejos de aparatos tales como dispositivos Wi-Fi y hornos de microondas.	

Estado de la anomalía	Causa probable (avería)	Remedio
La aspiradora no funciona junto con el interruptor de la herramienta.	La unidad inalámbrica no está instalada en la herramienta. La unidad inalámbrica está instalada incorrectamente en la herramienta.	Instale la unidad inalámbrica correctamente.
	La terminal de la unidad inalámbrica y/o la ranura está sucia.	Retire con cuidado el polvo y la suciedad en la terminal de la unidad inalámbrica y limpie la ranura.
	El botón de activación inalámbrica en la herramienta no se ha oprimido.	Oprima el botón de activación inalámbrica durante un lapso breve y asegúrese de que la luz indicadora de activación inalámbrica esté parpadeando en azul.
	El interruptor de modo en espera en la aspiradora no está ajustado en "AUTO".	Ajuste el interruptor de modo en espera en la aspiradora en "AUTO".
	Más de 10 herramientas están registradas en la aspiradora.	Vuelva a realizar el registro de la herramienta. Si más de 10 herramientas están registradas en la aspiradora, la herramienta registrada al principio se cancelará automáticamente.
	La aspiradora borró todos los registros de la herramienta.	Vuelva a realizar el registro de la herramienta.
	No hay suministro de energía.	Suministre energía a la herramienta y a la aspiradora.
	La herramienta y la aspiradora están lejos una de la otra (fuera del rango de transmisión).	Acerque más la herramienta a la aspiradora. La distancia máxima de transmisión es de aproximadamente 10 m, pero puede variar en función de las circunstancias.
	La perturbación radioeléctrica generada por otros aparatos que emiten ondas de radio de alta intensidad.	Mantenga la herramienta y la aspiradora lejos de aparatos tales como dispositivos Wi-Fi y hornos de microondas.
La aspiradora funciona mientras la herramienta no está en funcionamiento.	Otros usuarios están usando la activación inalámbrica de la aspiradora con sus herramientas.	Apague el botón de activación inalámbrica de las demás herramientas o cancele el registro de dichas herramientas.

MANTENIMIENTO

⚠ PRECAUCIÓN: Asegúrese siempre de que la herramienta esté apagada y el cartucho de batería extraído antes de intentar realizar una inspección o mantenimiento.

AVISO: Nunca use gasolina, bencina, diluyente (tíner), alcohol o sustancias similares. Puede que esto ocasione grietas o descoloramiento.

Para mantener la SEGURIDAD y FIABILIDAD del producto, las reparaciones, y cualquier otra tarea de mantenimiento o ajuste deberán ser realizadas en centros de servicio autorizados o de fábrica Makita, empleando siempre repuestos Makita.

Limpieza de las aberturas de descarga para astillas

Limpie las aberturas de descarga para astillas con regularidad. Utilice aire comprimido para limpiar las aberturas de descarga para astillas en caso de estar tapadas.

Afilado de las cuchillas

Sólo para cuchillas de cepillo convencionales

Siempre mantenga afiladas las cuchillas de su cepillo para lograr el mejor desempeño. Utilice el soporte para afilado (accesorio opcional) para refinar los bordes de la cuchilla del cepillo de forma segura y eficaz.

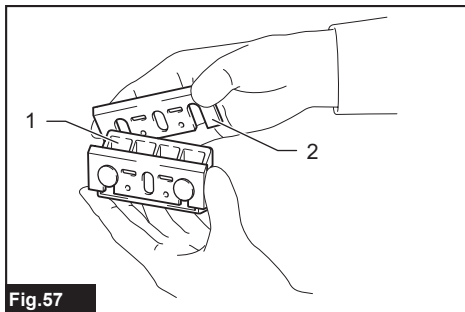
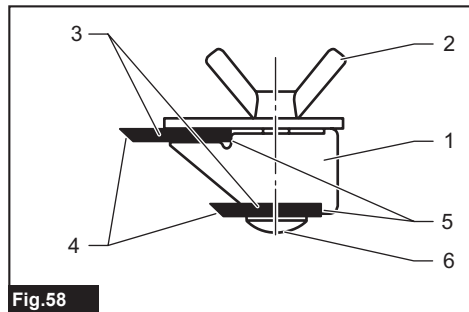


Fig. 57

► 1. Soporte para afilado 2. Cuchilla

1. Afloje las dos tuercas de mariposa en el soporte para afilado.

2. Deslice los extremos traseros de las cuchillas del cepillo en las ranuras de montaje tanto como sea posible con los bordes de corte a afilar hacia abajo.



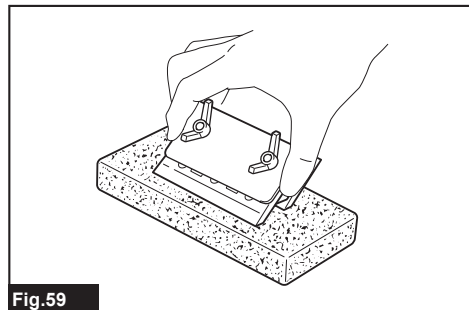
► 1. Soporte para afilado 2. Tuerca de mariposa
3. Cuchilla 4. Borde de corte 5. Ranuras de montaje
6. Cabeza de perno

3. Apriete las tuercas de mariposa para asegurar las cuchillas del cepillo en su lugar.

4. Moje una piedra afiladora en agua durante unos 2 o 3 minutos antes del afilado.

5. Sostenga firmemente el soporte para afilado y coloque suavemente los bordes de corte sobre la superficie de la piedra afiladora.

6. Afile los bordes de corte moviendo el soporte para afilado hacia adelante y hacia atrás.



- Minicuchilla del cepillo
- Ensamble del soporte para afilado
- Ensamble de calibrador de cuchillas
- Conjunto de placa de fijación
- Ensamble de regla guía
- Piedra de acabado
- Ensamble de bolsa recolectora de polvo
- Codo
- Ensamble de regla para biselado
- Unidad inalámbrica
- Batería y cargador originales de Makita

NOTA: Algunos de los artículos en la lista pueden incluirse en el paquete de la herramienta como accesorios estándar. Éstos pueden variar de país a país.

GARANTÍA LIMITADA DE MAKITA

Ésta Garantía no aplica para México

Consulte la hoja de la garantía anexa para ver los términos más vigentes de la garantía aplicable a este producto. En caso de no disponer de esta hoja de garantía anexa, consulte los detalles sobre la garantía descritos en el sitio web de su país respectivo indicado a continuación.

Estados Unidos de América: www.makitatools.com

Canadá: www.makita.ca

Otros países: www.makita.com

ACCESORIOS OPCIONALES

⚠PRECAUCIÓN: Estos accesorios o aditamentos están recomendados para utilizarse con su herramienta Makita especificada en este manual.

El empleo de cualquier otro accesorio o aditamento puede conllevar el riesgo de lesiones personales.

Utilice los accesorios o aditamentos solamente para su fin establecido.

Si necesita cualquier ayuda para más detalles en relación con estos accesorios, pregunte a su centro de servicio Makita local.

- Cuchilla del cepillo en acero de alta velocidad
- Cuchilla del cepillo en carburo de tungsteno (para una mayor duración de la cuchilla)

< USA only >

WARNING

Some dust created by power sanding, sawing, grinding, drilling, and other construction activities contains chemicals known to the State of California to cause cancer, birth defects or other reproductive harm. Some examples of these chemicals are:

- lead from lead-based paints,
- crystalline silica from bricks and cement and other masonry products, and
- arsenic and chromium from chemically-treated lumber.

Your risk from these exposures varies, depending on how often you do this type of work. To reduce your exposure to these chemicals: work in a well ventilated area, and work with approved safety equipment, such as those dust masks that are specially designed to filter out microscopic particles.

< Sólo en los Estados Unidos >

ADVERTENCIA

Algunos polvos creados por el lijado, aserrado, esmerilado, taladrado y otras actividades de la construcción contienen sustancias químicas reconocidas por el Estado de California como causantes de cáncer, defectos de nacimiento y otros peligros de reproducción. Algunos ejemplos de estos productos químicos son:

- plomo de pinturas a base de plomo,
- sílice cristalino de ladrillos y cemento y otros productos de albañilería, y
- arsénico y cromo de maderas tratadas químicamente.

El riesgo al que se expone varía, dependiendo de la frecuencia con la que realice este tipo de trabajo. Para reducir la exposición a estos productos químicos: trabaje en un área bien ventilada y póngase el equipo de seguridad indicado, tal como las máscaras contra polvo que están especialmente diseñadas para filtrar partículas microscópicas.

Makita Corporation

3-11-8, Sumiyoshi-cho,
Anjo, Aichi 446-8502 Japan

www.makita.com

885951A943
GPK01-1
EN, ESMX
20211101