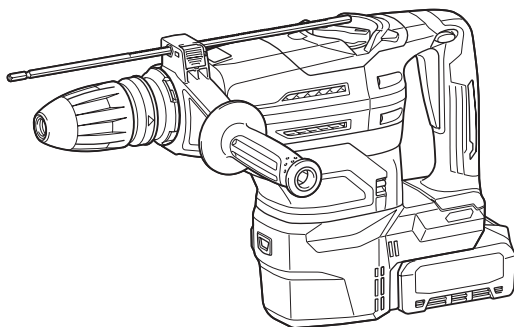


**INSTRUCTION MANUAL
MANUAL DE INSTRUCCIONES**



Cordless Rotary Hammer Martillo Rotativo Inalámbrico

GRH05



IMPORTANT: Read Before Using.
IMPORTANTE: Lea antes de usar.

SPECIFICATIONS

Model:		GRH05
Capacities	Carbide-tipped bit	40 mm (1-9/16")
	Core bit	105 mm (4-1/18")
No load speed (RPM)		250 - 500/min
Blows per minute		1,450 - 2,900/min
Overall length	with BL4025	484 mm (19")
	with BL4040	500 mm (19-3/4")
Rated voltage		D.C. 36 V - 40 V max
Net weight		7.4 - 7.9 kg (16.3 - 17.4 lbs)

- Due to our continuing program of research and development, the specifications herein are subject to change without notice.
- Specifications and battery cartridge may differ from country to country.
- The weight may differ depending on the attachment(s), including the battery cartridge. The lightest and heaviest combinations, according to EPTA-Procedure 01/2014, are shown in the table.

Applicable battery cartridge and charger

Battery cartridge	BL4025 / BL4040
Charger	DC40RA

- Some of the battery cartridges and chargers listed above may not be available depending on your region of residence.

⚠ WARNING: Only use the battery cartridges and chargers listed above. Use of any other battery cartridges and chargers may cause injury and/or fire.

SAFETY WARNINGS

General power tool safety warnings

⚠ WARNING: Read all safety warnings, instructions, illustrations and specifications provided with this power tool. Failure to follow all instructions listed below may result in electric shock, fire and/or serious injury.

Save all warnings and instructions for future reference.

The term "power tool" in the warnings refers to your mains-operated (corded) power tool or battery-operated (cordless) power tool.

Work area safety

1. **Keep work area clean and well lit.** Cluttered or dark areas invite accidents.
2. **Do not operate power tools in explosive atmospheres, such as in the presence of flammable liquids, gases or dust.** Power tools create sparks which may ignite the dust or fumes.
3. **Keep children and bystanders away while operating a power tool.** Distractions can cause you to lose control.

Electrical Safety

1. **Power tool plugs must match the outlet. Never modify the plug in any way. Do not use any adapter plugs with earthed (grounded) power tools.** Unmodified plugs and matching outlets will reduce risk of electric shock.
2. **Avoid body contact with earthed or grounded surfaces, such as pipes, radiators, ranges and refrigerators.** There is an increased risk of electric shock if your body is earthed or grounded.
3. **Do not expose power tools to rain or wet conditions.** Water entering a power tool will increase the risk of electric shock.
4. **Do not abuse the cord. Never use the cord for carrying, pulling or unplugging the power tool. Keep cord away from heat, oil, sharp edges or moving parts.** Damaged or entangled cords increase the risk of electric shock.
5. **When operating a power tool outdoors, use an extension cord suitable for outdoor use.** Use of a cord suitable for outdoor use reduces the risk of electric shock.
6. **If operating a power tool in a damp location is unavoidable, use a ground fault circuit interrupter (GFCI) protected supply.** Use of a GFCI reduces the risk of electric shock.
7. **Power tools can produce electromagnetic fields (EMF) that are not harmful to the user.** However, users of pacemakers and other similar medical devices should contact the maker of their device and/or doctor for advice before operating this power tool.

Personal Safety

1. **Stay alert, watch what you are doing and use common sense when operating a power tool. Do not use a power tool while you are tired or under the influence of drugs, alcohol or medication.** A moment of inattention while operating power tools may result in serious personal injury.
2. **Use personal protective equipment. Always wear eye protection.** Protective equipment such as dust mask, non-skid safety shoes, hard hat, or hearing protection used for appropriate conditions will reduce personal injuries.
3. **Prevent unintentional starting. Ensure the switch is in the off-position before connecting to power source and/or battery pack, picking up or carrying the tool.** Carrying power tools with your finger on the switch or energising power tools that have the switch on invites accidents.
4. **Remove any adjusting key or wrench before turning the power tool on.** A wrench or a key left attached to a rotating part of the power tool may result in personal injury.
5. **Do not overreach. Keep proper footing and balance at all times.** This enables better control of the power tool in unexpected situations.
6. **Dress properly. Do not wear loose clothing or jewellery. Keep your hair, clothing and gloves away from moving parts.** Loose clothes, jewellery or long hair can be caught in moving parts.
7. **If devices are provided for the connection of dust extraction and collection facilities, ensure these are connected and properly used.** Use of dust collection can reduce dust-related hazards.
8. **Do not let familiarity gained from frequent use of tools allow you to become complacent and ignore tool safety principles.** A careless action can cause severe injury within a fraction of a second.
9. **Always wear protective goggles to protect your eyes from injury when using power tools. The goggles must comply with ANSI Z87.1 in the USA.**
It is an employer's responsibility to enforce the use of appropriate safety protective equipment by the tool operators and by other persons in the immediate working area.

Power tool use and care

1. **Do not force the power tool. Use the correct power tool for your application.** The correct power tool will do the job better and safer at the rate for which it was designed.
2. **Do not use the power tool if the switch does not turn it on and off.** Any power tool that cannot be controlled with the switch is dangerous and must be repaired.
3. **Disconnect the plug from the power source and/or remove the battery pack, if detachable, from the power tool before making any adjustments, changing accessories, or storing power tools.** Such preventive safety measures reduce the risk of starting the power tool accidentally.
4. **Store idle power tools out of the reach of children and do not allow persons unfamiliar with the power tool or these instructions to operate the power tool.** Power tools are dangerous in the hands of untrained users.

5. **Maintain power tools and accessories. Check for misalignment or binding of moving parts, breakage of parts and any other condition that may affect the power tool's operation. If damaged, have the power tool repaired before use.** Many accidents are caused by poorly maintained power tools.
6. **Keep cutting tools sharp and clean.** Properly maintained cutting tools with sharp cutting edges are less likely to bind and are easier to control.
7. **Use the power tool, accessories and tool bits etc. in accordance with these instructions, taking into account the working conditions and the work to be performed.** Use of the power tool for operations different from those intended could result in a hazardous situation.
8. **Keep handles and grasping surfaces dry, clean and free from oil and grease.** Slippery handles and grasping surfaces do not allow for safe handling and control of the tool in unexpected situations.
9. **When using the tool, do not wear cloth work gloves which may be entangled.** The entanglement of cloth work gloves in the moving parts may result in personal injury.

Battery tool use and care

1. **Recharge only with the charger specified by the manufacturer.** A charger that is suitable for one type of battery pack may create a risk of fire when used with another battery pack.
2. **Use power tools only with specifically designated battery packs.** Use of any other battery packs may create a risk of injury and fire.
3. **When battery pack is not in use, keep it away from other metal objects, like paper clips, coins, keys, nails, screws or other small metal objects, that can make a connection from one terminal to another.** Shorting the battery terminals together may cause burns or a fire.
4. **Under abusive conditions, liquid may be ejected from the battery; avoid contact. If contact accidentally occurs, flush with water. If liquid contacts eyes, additionally seek medical help.** Liquid ejected from the battery may cause irritation or burns.
5. **Do not use a battery pack or tool that is damaged or modified.** Damaged or modified batteries may exhibit unpredictable behaviour resulting in fire, explosion or risk of injury.
6. **Do not expose a battery pack or tool to fire or excessive temperature.** Exposure to fire or temperature above 130 °C may cause explosion.
7. **Follow all charging instructions and do not charge the battery pack or tool outside the temperature range specified in the instructions.** Charging improperly or at temperatures outside the specified range may damage the battery and increase the risk of fire.

Service

1. **Have your power tool serviced by a qualified repair person using only identical replacement parts.** This will ensure that the safety of the power tool is maintained.
2. **Never service damaged battery packs.** Service of battery packs should only be performed by the manufacturer or authorized service providers.
3. **Follow instruction for lubricating and changing accessories.**
4. **Do not modify or attempt to repair the appliance or the battery pack except as indicated in the instructions for use and care.**

CORDLESS ROTARY HAMMER SAFETY WARNINGS


1. **Wear ear protectors.** Exposure to noise can cause hearing loss.
2. **Use auxiliary handle(s), if supplied with the tool.** Loss of control can cause personal injury.
3. **Hold power tool by insulated gripping surfaces, when performing an operation where the cutting accessory may contact hidden wiring.** Cutting accessory contacting a "live" wire may make exposed metal parts of the power tool "live" and could give the operator an electric shock.
4. **Wear a hard hat (safety helmet), safety glasses and/or face shield. Ordinary eye or sun glasses are NOT safety glasses. It is also highly recommended that you wear a dust mask and thickly padded gloves.**
5. **Be sure the bit is secured in place before operation.**
6. **Under normal operation, the tool is designed to produce vibration. The screws can come loose easily, causing a breakdown or accident. Check tightness of screws carefully before operation.**
7. **In cold weather or when the tool has not been used for a long time, let the tool warm up for a while by operating it under no load. This will loosen up the lubrication. Without proper warm-up, hammering operation is difficult.**
8. **Always be sure you have a firm footing. Be sure no one is below when using the tool in high locations.**
9. **Hold the tool firmly with both hands.**
10. **Keep hands away from moving parts.**
11. **Do not leave the tool running. Operate the tool only when hand-held.**
12. **Do not point the tool at any one in the area when operating. The bit could fly out and injure someone seriously.**
13. **Do not touch the bit, parts close to the bit, or workpiece immediately after operation; they may be extremely hot and could burn your skin.**
14. **Some material contains chemicals which may be toxic. Take caution to prevent dust inhalation and skin contact. Follow material supplier safety data.**
15. **Always be sure that the tool is switched off and the battery cartridge and the bit are removed before handing the tool to other person.**
16. **Before operation, make sure that there is no buried object such as electric pipe, water pipe or gas pipe in the working area. Otherwise, the drill bit/chisel may touch them, resulting an electric shock, electrical leakage or gas leak.**
17. **Do not operate the tool at no-load unnecessarily.**

SAVE THESE INSTRUCTIONS.

⚠ WARNING: DO NOT let comfort or familiarity with product (gained from repeated use) replace strict adherence to safety rules for the subject product. MISUSE or failure to follow the safety rules stated in this instruction manual may cause serious personal injury.

Symbols

The followings show the symbols used for tool.

v	volts
— ---	direct current
n ₀	no load speed
.../min r/min	revolutions or reciprocation per minute
	number of blow

Important safety instructions for battery cartridge

1. **Before using battery cartridge, read all instructions and cautionary markings on (1) battery charger, (2) battery, and (3) product using battery.**
2. **Do not disassemble or tamper the battery cartridge.** It may result in a fire, excessive heat, or explosion.
3. **If operating time has become excessively shorter, stop operating immediately. It may result in a risk of overheating, possible burns and even an explosion.**
4. **If electrolyte gets into your eyes, rinse them out with clear water and seek medical attention right away. It may result in loss of your eyesight.**
5. **Do not short the battery cartridge:**
 - (1) **Do not touch the terminals with any conductive material.**
 - (2) **Avoid storing battery cartridge in a container with other metal objects such as nails, coins, etc.**
 - (3) **Do not expose battery cartridge to water or rain. A battery short can cause a large current flow, overheating, possible burns and even a breakdown.**
6. **Do not store and use the tool and battery cartridge in locations where the temperature may reach or exceed 50 °C (122 °F).**
7. **Do not incinerate the battery cartridge even if it is severely damaged or is completely worn out. The battery cartridge can explode in a fire.**
8. **Do not nail, cut, crush, throw, drop the battery cartridge, or hit against a hard object to the battery cartridge.** Such conduct may result in a fire, excessive heat, or explosion.
9. **Do not use a damaged battery.**
10. **The contained lithium-ion batteries are subject to the Dangerous Goods Legislation requirements.** For commercial transports e.g. by third parties, forwarding agents, special requirement on packaging and labeling must be observed. For preparation of the item being shipped, consulting an expert for hazardous material is required. Please also observe possibly more detailed national regulations. Tape or mask off open contacts and pack up the battery in such a manner that it cannot move around in the packaging.

11. When disposing the battery cartridge, remove it from the tool and dispose of it in a safe place. Follow your local regulations relating to disposal of battery.
12. Use the batteries only with the products specified by Makita. Installing the batteries to non-compliant products may result in a fire, excessive heat, explosion, or leak of electrolyte.
13. If the tool is not used for a long period of time, the battery must be removed from the tool.
14. During and after use, the battery cartridge may take on heat which can cause burns or low temperature burns. Pay attention to the handling of hot battery cartridges.
15. Do not touch the terminal of the tool immediately after use as it may get hot enough to cause burns.
16. Do not allow chips, dust, or soil stuck into the terminals, holes, and grooves of the battery cartridge. It may result in poor performance or breakdown of the tool or battery cartridge.
17. Unless the tool supports the use near high-voltage electrical power lines, do not use the battery cartridge near a high-voltage electrical power lines. It may result in a malfunction or breakdown of the tool or battery cartridge.
18. Keep the battery away from children.
5. Do not use the wireless unit in places where the temperature exceeds 50°C (122°F).
6. Do not operate the wireless unit in places where medical instruments, such as heart pace makers are nearby.
7. Do not operate the wireless unit in places where automated devices are nearby. If operated, automated devices may develop malfunction or error.
8. Do not operate the wireless unit in places under high temperature or places where static electricity or electrical noise could be generated.
9. The wireless unit can produce electromagnetic fields (EMF) but they are not harmful to the user.
10. The wireless unit is an accurate instrument. Be careful not to drop or strike the wireless unit.
11. Avoid touching the terminal of the wireless unit with bare hands or metallic materials.
12. Always remove the battery on the product when installing the wireless unit into it.
13. When opening the lid of the slot, avoid the place where dust and water may come into the slot. Always keep the inlet of the slot clean.
14. Always insert the wireless unit in the correct direction.
15. Do not press the wireless activation button on the wireless unit too hard and/or press the button with an object with a sharp edge.

SAVE THESE INSTRUCTIONS.

⚠ CAUTION: Only use genuine Makita batteries. Use of non-genuine Makita batteries, or batteries that have been altered, may result in the battery bursting causing fires, personal injury and damage. It will also void the Makita warranty for the Makita tool and charger.

Tips for maintaining maximum battery life

1. Charge the battery cartridge before completely discharged. Always stop tool operation and charge the battery cartridge when you notice less tool power.
2. Never recharge a fully charged battery cartridge. Overcharging shortens the battery service life.
3. Charge the battery cartridge with room temperature at 10 °C - 40 °C (50 °F - 104 °F). Let a hot battery cartridge cool down before charging it.
4. When not using the battery cartridge, remove it from the tool or the charger.
5. Charge the battery cartridge if you do not use it for a long period (more than six months).
21. Do not leave the wireless unit in a place subject to high heat, such as a car sitting in the sun.
22. Do not leave the wireless unit in a dusty or powdery place or in a place corrosive gas could be generated.
23. Sudden change of the temperature may bedew the wireless unit. Do not use the wireless unit until the dew is completely dried.
24. When cleaning the wireless unit, gently wipe with a dry soft cloth. Do not use benzine, thinner, conductive grease or the like.
25. When storing the wireless unit, keep it in the supplied case or a static-free container.
26. Do not insert any devices other than Makita wireless unit into the slot on the tool.
27. Do not use the tool with the lid of the slot damaged. Water, dust, and dirt come into the slot may cause malfunction.
28. Do not pull and/or twist the lid of the slot more than necessary. Restore the lid if it comes off from the tool.
29. Replace the lid of the slot if it is lost or damaged.

Important safety instructions for wireless unit

1. Do not disassemble or tamper with the wireless unit.
2. Keep the wireless unit away from young children. If accidentally swallowed, seek medical attention immediately.
3. Use the wireless unit only with Makita tools.
4. Do not expose the wireless unit to rain or wet conditions.

SAVE THESE INSTRUCTIONS.

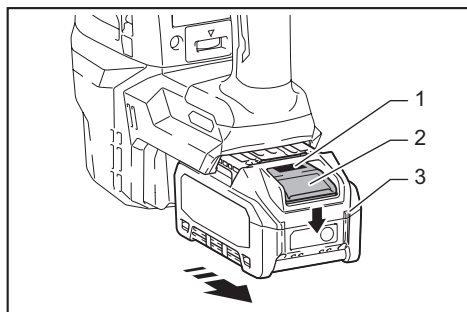
FUNCTIONAL DESCRIPTION

CAUTION: Always be sure that the tool is switched off and the battery cartridge is removed before adjusting or checking function on the tool.

Installing or removing battery cartridge

CAUTION: Always switch off the tool before installing or removing of the battery cartridge.

CAUTION: Hold the tool and the battery cartridge firmly when installing or removing battery cartridge. Failure to hold the tool and the battery cartridge firmly may cause them to slip off your hands and result in damage to the tool and battery cartridge and a personal injury.



► 1. Red indicator 2. Button 3. Battery cartridge

To remove the battery cartridge, slide it from the tool while sliding the button on the front of the cartridge.

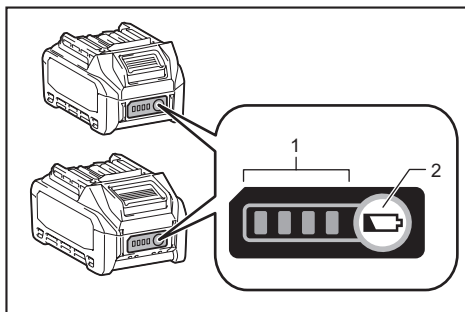
To install the battery cartridge, align the tongue on the battery cartridge with the groove in the housing and slip it into place. Insert it all the way until it locks in place with a little click. If you can see the red indicator on the upper side of the button, it is not locked completely.

CAUTION: Always install the battery cartridge fully until the red indicator cannot be seen. If not, it may accidentally fall out of the tool, causing injury to you or someone around you.

CAUTION: Do not install the battery cartridge forcibly. If the cartridge does not slide in easily, it is not being inserted correctly.

Indicating the remaining battery capacity

Press the check button on the battery cartridge to indicate the remaining battery capacity. The indicator lamps light up for a few seconds.



► 1. Indicator lamps 2. Check button

Indicator lamps			Remaining capacity
Lighted	Off	Blinking	
■ ■ ■ ■ ■			75% to 100%
■ ■ ■ ■ □			50% to 75%
■ ■ □ □			25% to 50%
■ □ □ □			0% to 25%
▣ □ □ □			Charge the battery.
■ ■ □ □			The battery may have malfunctioned.
□ □ ■ ■			

NOTE: Depending on the conditions of use and the ambient temperature, the indication may differ slightly from the actual capacity.

NOTE: The first (far left) indicator lamp will blink when the battery protection system works.

Tool / battery protection system

The tool is equipped with a tool/battery protection system. This system automatically cuts off power to the motor to extend tool and battery life. The tool will automatically stop during operation if the tool or battery is placed under one of the following conditions:

Overload protection

When the tool or battery is operated in a manner that causes it to draw an abnormally high current, the tool automatically stops without any indication. In this situation, turn the tool off and stop the application that caused the tool to become overloaded. Then turn the tool on to restart.

Overheat protection

When the tool or battery is overheated, the tool stops automatically and the lamp blinks. In this case, let the tool and battery cool before turning the tool on again.

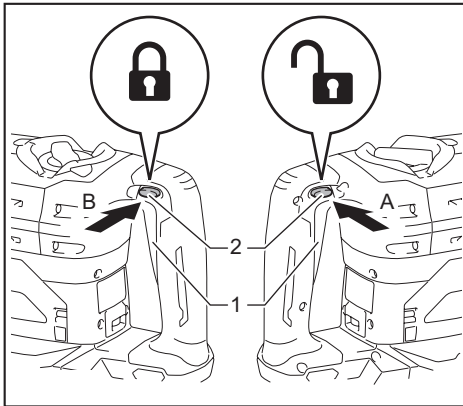
Overdischarge protection

When the battery capacity is not enough, the tool stops automatically. In this case, remove the battery from the tool and charge the battery.

Switch action

⚠ WARNING: Before installing the battery cartridge into the tool, always check to see that the switch trigger actuates properly and returns to the "OFF" position when released.

⚠ CAUTION: When not operating the tool, depress the trigger-lock button from **A** side to lock the switch trigger in the OFF position.

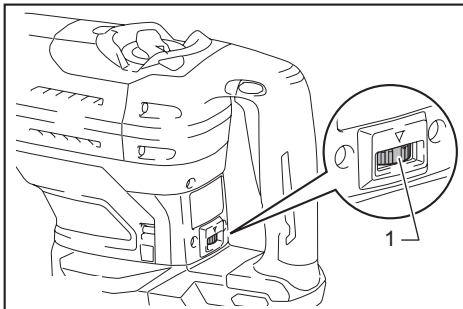


► 1. Switch trigger 2. Trigger-lock button

To prevent the switch trigger from accidentally pulled, the trigger-lock button is provided. To start the tool, depress the trigger-lock button from A side and pull the switch trigger. Release the switch trigger to stop. After use, press in the trigger-lock button from B side.

Speed change

The revolutions and blows per minute can be adjusted by turning the adjusting dial. The dial is marked 1 (lowest speed) to 5 (full speed).



► 1. Adjusting dial

Refer to the table below for the relationship between the number on the adjusting dial and the revolutions and blows per minute.

Number	Revolutions per minute	Blows per minute
5	500	2900
4	470	2700
3	380	2150
2	290	1650
1	250	1450

⚠ CAUTION: Do not turn the adjusting dial when the tool is running. Failure to do so may result in the loss of control of the tool and cause an injury.

NOTICE: If the tool is operated continuously at low speed for a long time, the motor will get overloaded, resulting in tool malfunction.

NOTICE: The speed adjusting dial can be turned only as far as 5 and back to 1. Do not force it past 5 or 1, or the speed adjusting function may no longer work.

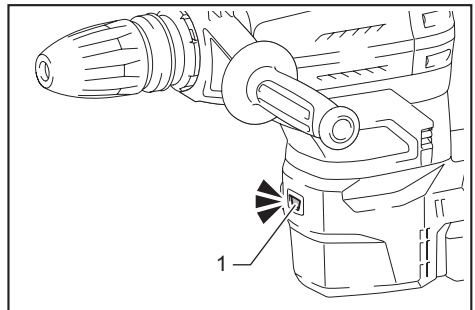
NOTE: Soft no-load rotation function

When the speed adjusting dial is set to "3" or higher, the tool automatically reduces the speed at no-load to reduce the vibration under no-load.

Once operation starts with a bit against concrete, blows per minute increase and reach the numbers as shown in the table.

When temperature is low, the tool may not have this function even with the motor rotating.

Lighting up the front lamp



► 1. Lamp

⚠ CAUTION: Do not look in the light or see the source of light directly.

Pull the switch trigger to light up the lamp. The lamp keeps on lighting while the switch trigger is being pulled. The lamp goes out approximately 10 seconds after releasing the switch trigger.

NOTICE: If the lamp goes off after blinking for a few seconds, the active feedback sensing technology is not working properly. Ask your local Makita Service Center for repair.


NOTE: Use a dry cloth to wipe the dirt off the lens of the lamp. Be careful not to scratch the lens of lamp, or it may lower the illumination.

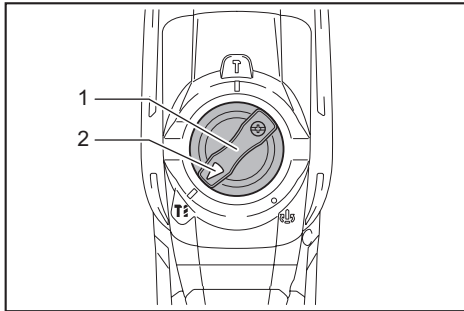
Selecting the action mode

NOTICE: Do not rotate the action mode changing knob when the tool is running. The tool will be damaged.

NOTICE: To avoid rapid wear on the mode change mechanism, be sure that the action mode changing knob is always positively located in one of the three action mode positions.


Rotation with hammering

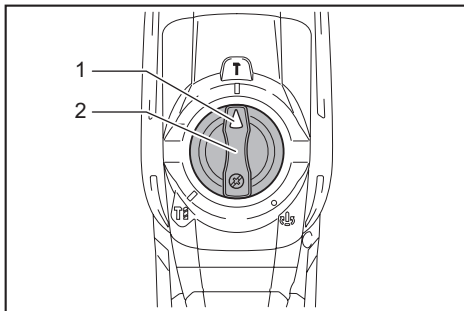
For drilling in concrete, masonry, etc., rotate the action mode changing knob to the  symbol. Use a carbide-tipped drill bit.



► 1. Action mode changing knob 2. Pointer

Hammering only

For chipping, scaling or demolition operations, rotate the action mode changing knob to the  symbol. Use a bull point, cold chisel, scaling chisel, etc.



► 1. Pointer 2. Action mode changing knob

Torque limiter

NOTICE: As soon as the torque limiter actuates, switch off the tool immediately. This will help prevent premature wear of the tool.

NOTICE: Drill bits such as hole saw, which tend to pinch or catch easily in the hole, are not appropriate for this tool. This is because they will cause the torque limiter to actuate too frequently.

The torque limiter will actuate when a certain torque level is reached. The motor will disengage from the output shaft. When this happens, the drill bit will stop turning.

Electronic function

The tool is equipped with the electronic functions for easy operation.

Constant speed control

The speed control function provides the constant rotation speed regardless of load conditions.

Soft start

The soft-start function minimizes start-up shock, and makes the machine start smoothly.

Active Feedback sensing Technology

If the tool body suddenly rotates at the specified acceleration due to the drill bit locking, etc., the motor is forcibly stopped to reduce the burden on the wrist.

NOTE: The active feedback sensing technology function does not work if the acceleration does not reach the specified one.

NOTE: The active feedback sensing technology function also actuates just when the bit simply swung at the specified acceleration in any operation.

In this case, release the switch trigger, and then pull the switch trigger to restart the tool.

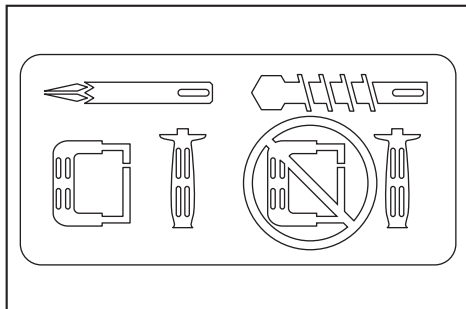
Electric brake

This tool is equipped with an electric brake. If the tool consistently fails to quickly stop after the switch trigger is released, have the tool serviced at a Makita service center.

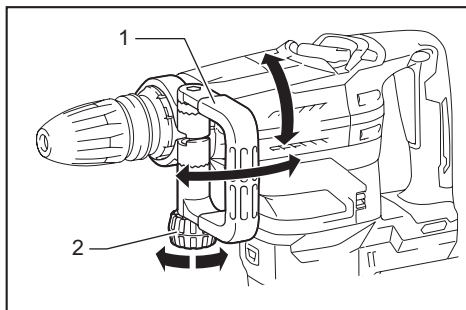
ASSEMBLY

CAUTION: Always be sure that the tool is switched off and the battery cartridge is removed before carrying out any work on the tool.

Side handle



CAUTION: Use the side handle only when chipping, scaling or demolishing. Do not use it when drilling in concrete, masonry, etc. The tool cannot be held properly with this side handle when drilling.



► 1. Side handle 2. Clamp nut

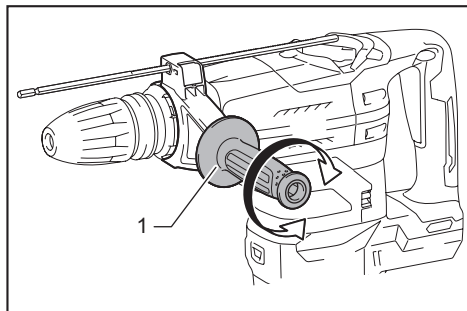
The side handle can be swung in a vertical direction and secured at any desired position. It can also be adjusted at eight steps back and forth in a horizontal direction. Loosen the clamp nut to swing the side handle to a desired position, and then tighten the clamp nut securely.

Side grip (auxiliary handle)

CAUTION: Always use the side grip to ensure safe operation.

CAUTION: After installing or adjusting the side grip, make sure that the side grip is firmly secured.

The side grip can be swung, allowing easy handling of the tool in any position. Loosen the side grip by turning it counterclockwise, swing it to the desired position and then tighten it by turning clockwise.



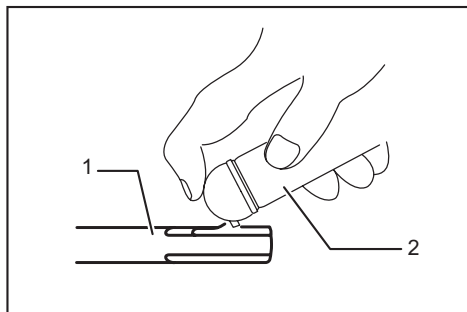
► 1. Side grip

Installing or removing drill bit

Grease

Clean the shank end of the bit and apply grease before installing the bit.

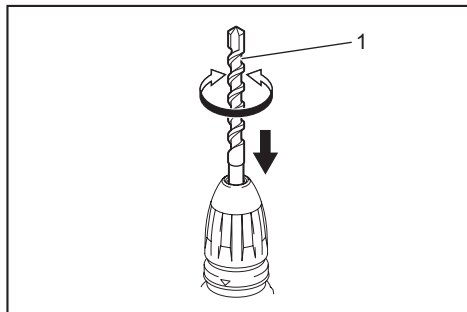
Coat the shank end of the bit beforehand with a small amount of grease (about 0.5 - 1 g). This chuck lubrication assures smooth action and longer service life.



► 1. Shank end 2. Grease

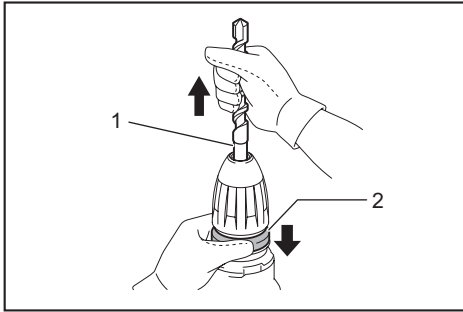
Insert the drill bit into the tool. Turn the drill bit and push it in until it engages.

After installing the drill bit, always make sure that the drill bit is securely held in place by trying to pull it out.




► 1. Drill bit

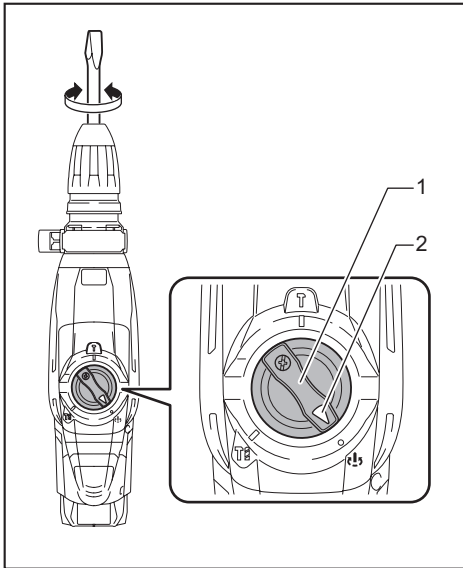
To remove the drill bit, pull the chuck cover down all the way and pull the drill bit out.




► 1. Drill bit 2. Chuck cover

Chisel angle (when chipping, scaling or demolishing)

The chisel can be secured at the desired angle. To change the chisel angle, rotate the action mode changing knob to the  symbol. Turn the chisel to the desired angle.

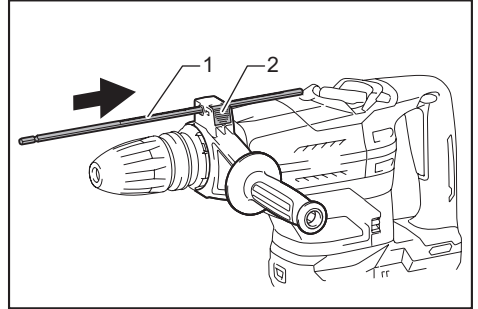


► 1. Action mode changing knob 2. Pointer

Rotate the action mode changing knob to the  symbol. Then make sure that the chisel is securely held in place by turning it slightly.

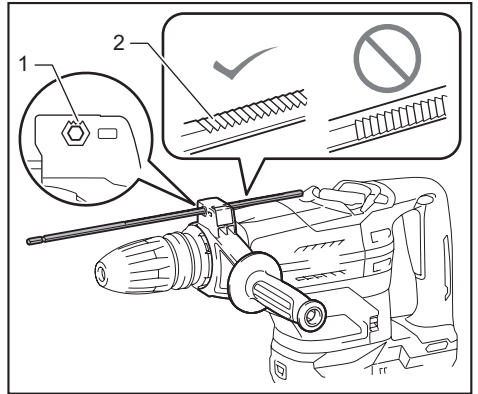
Depth gauge

The depth gauge is convenient for drilling holes of uniform depth. Press and hold the lock button, and then insert the depth gauge into the hex hole.



► 1. Depth gauge 2. Lock button

Make sure that the toothed side of the depth gauge faces the marking.



► 1. Marking 2. Toothed side

Adjust the depth gauge by moving it back and forth while pressing the lock button. After the adjustment, release the lock button to lock the depth gauge.

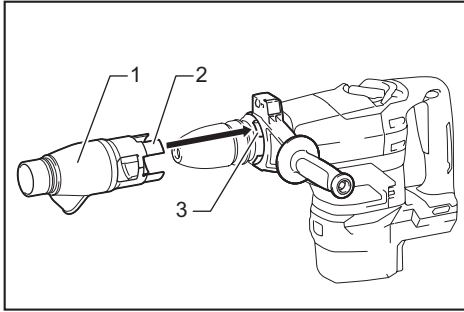
NOTE: Make sure that the depth gauge does not touch the main body of the tool when attaching it.

Dust extractor attachment

Optional accessory

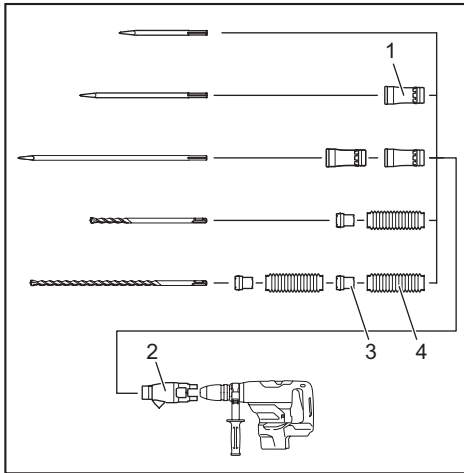
Installing the dust extractor attachment

1. Loosen the side grip on the tool.
2. Install the dust cover so that the claws of the dust cover fit in the grooves between the tool and the side grip.



- 1. Dust cover 2. Claw 3. Groove

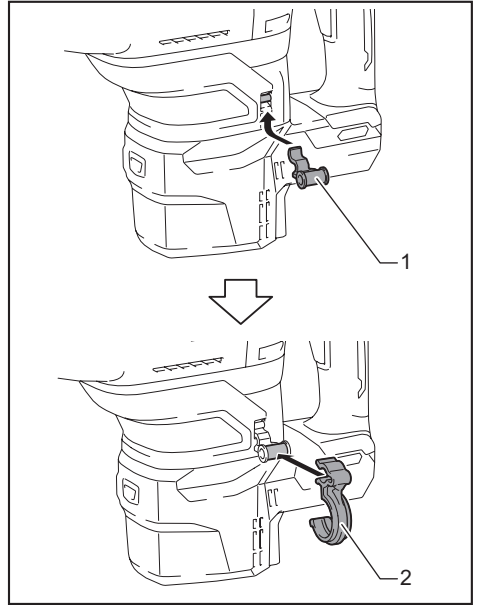
3. Tighten the side grip securely.
4. Set the suitable bellows or dust cover extension for your work. When you use bellows, attach the joint to its top. When you stack two bellows, connect them with the joint.



- 1. Dust cover extension 2. Dust cover 3. Joint 4. Bellows

Connecting the tool to the vacuum cleaner

1. Attach the holder joint to the tool, and then attach the hose holder to the holder joint.



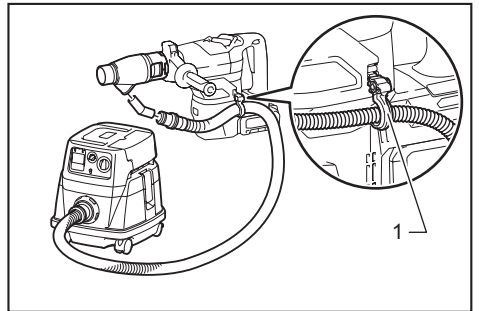
- 1. Holder joint 2. Hose holder

NOTE: The hose joint can be attached to either side of the tool.

⚠WARNING: Use the mounting part of the tool only for attaching the holder joint.

Using the mounting part for any other purpose may cause an unexpected accident.

2. Fix the hose to the hose holder.

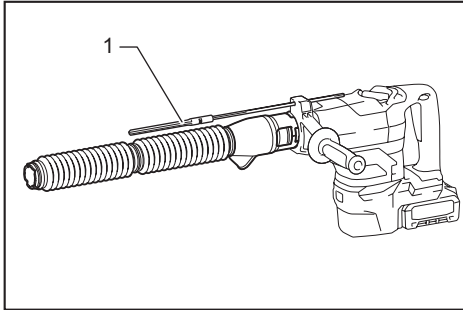


- 1. Hose holder

NOTE: Use joint 25 to connect the hose and the dust cover if necessary.

Using depth gauge for drilling operation

When you stack two bellows, attach the depth gauge extension to the depth gauge.



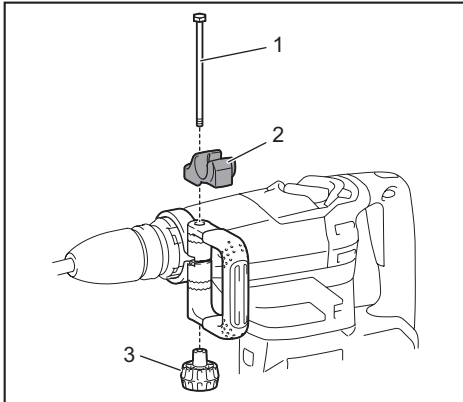
► 1. Depth gauge extension

Dust extractor attachment (for hammering only)

Optional accessory

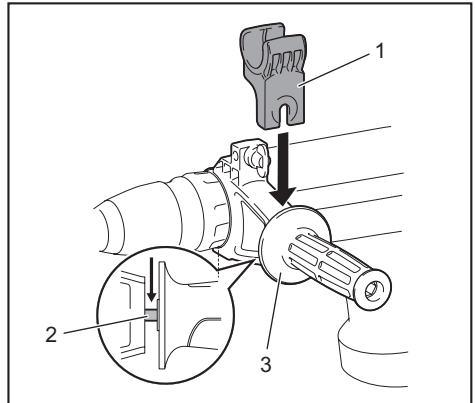
1. Install the hose holder (A/B).

When the side handle is installed to tool, loosen the clamp nut, and then remove the hex bolt. Install the hose holder (A) between the hex bolt and the clamp nut by tightening the clamp nut firmly.



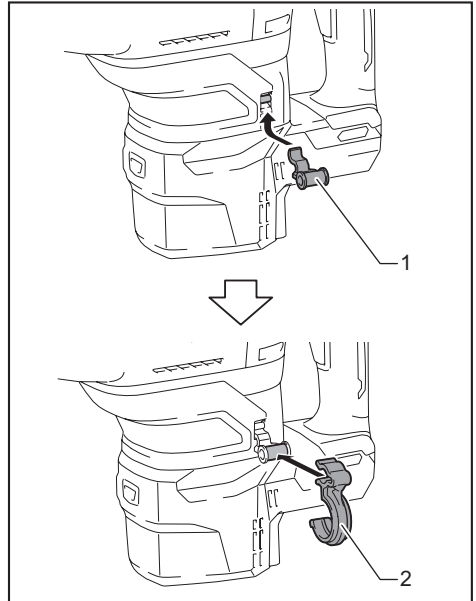
► 1. Hex bolt 2. Hose holder (A) 3. Clamp nut

When the side grip is installed to the tool, loosen the side grip, mount the hose holder (B) to the shaft, and then tighten the side grip firmly.



► 1. Hose holder (B) 2. Shaft 3. Side grip

2. Attach the holder joint to the tool, and then attach the hose holder (C) to the holder joint.



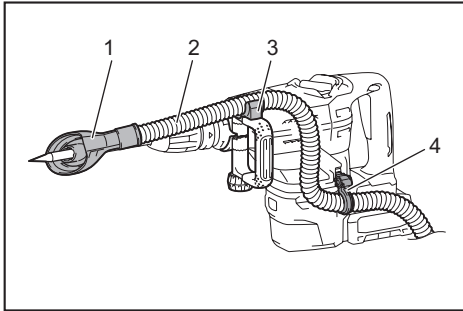
► 1. Holder joint 2. Hose holder (C)

NOTE: The hose joint can be attached to either side of the tool.

⚠WARNING: Use the mounting part of the tool only for attaching the holder joint.

Using the mounting part for any other purpose may cause an unexpected accident.

3. Attach the dust cover and the hose to the tool, and then fix the hose to the hose holders.

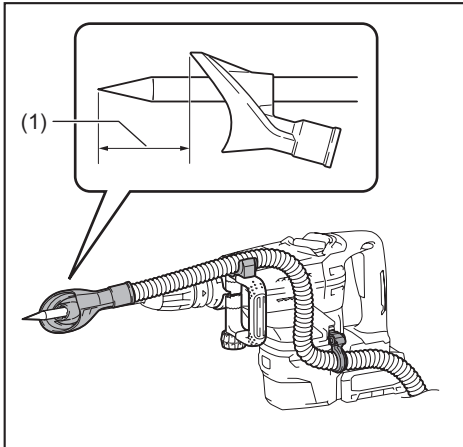


- 1. Dust cover 2. Hose 3. Hose holder (A/B) 4. Hose holder (C)

4. Connect the hose to the hose of the vacuum cleaner with the hose joint.

NOTE: If the hose is not included, attach the dust cover to the cleaner's hose or attach it to Makita's hose $\varnothing 28$.

5. Adjust the distance between the dust cover and the tip of the chisel or bull point. The recommended distance is 30 mm (1-3/16") to 100 mm (3-15/16").



- (1) 30 mm (1-3/16") to 100 mm (3-15/16")

OPERATION

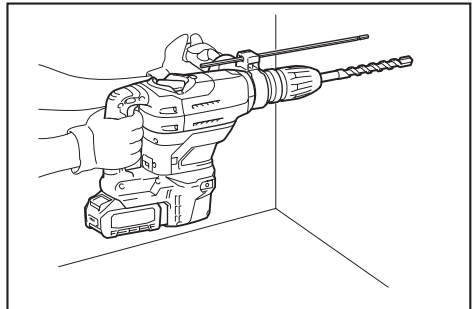
CAUTION: Always use the side handle / side grip (auxiliary handle) and firmly hold the tool by both side handle / side grip and switch handle during operations.

CAUTION: Always make sure that the workpiece is secured before operation. Failure to properly secure the workpiece may cause the workpiece to move resulting in injury.

CAUTION: Do not pull the tool out forcibly even the bit gets stuck. Loss of control may cause injury.


CAUTION: Do not leave the tool stabbed in the workpiece. Otherwise the tool may start unintentionally and cause an injury.

NOTE: If the battery cartridge is in low temperature, the tool's capability may not be fully obtained. In this case, warm up the battery cartridge by using the tool with no load for a while to fully obtain the tool's capability.



Hammer drilling operation

CAUTION: There is tremendous and sudden twisting force exerted on the tool/drill bit at the time of hole break-through, when the hole becomes clogged with chips and particles, or when striking reinforcing rods embedded in the concrete. **Always use the side grip (auxiliary handle) and firmly hold the tool by both side grip and switch handle during operations.** Failure to do so may result in the loss of control of the tool and potentially severe injury.

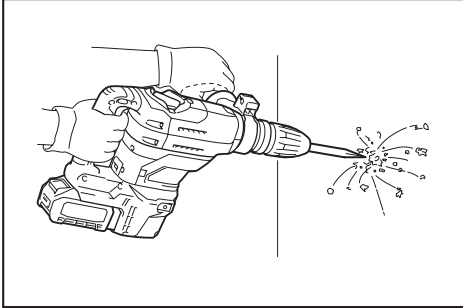
Set the action mode changing knob to the  symbol. Position the drill bit at the desired location for the hole, then pull the switch trigger. Do not force the tool. Light pressure gives best results. Keep the tool in position and prevent it from slipping away from the hole.

Do not apply more pressure when the hole becomes clogged with chips or particles. Instead, run the tool at an idle, then remove the drill bit partially from the hole. By repeating this several times, the hole will be cleaned out and normal drilling may be resumed.

NOTE: Eccentricity in the drill bit rotation may occur while operating the tool with no load. The tool automatically centers itself during operation. This does not affect the drilling precision.

Chipping/Scaling/Demolition

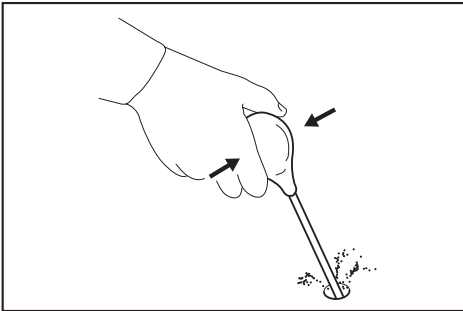
Set the action mode changing knob to the T symbol. Hold the tool firmly with both hands. Turn the tool on and apply slight pressure on the tool so that the tool will not bounce around, uncontrolled. Pressing very hard on the tool will not increase the efficiency.



Blow-out bulb

Optional accessory

After drilling the hole, use the blow-out bulb to clean the dust out of the hole.

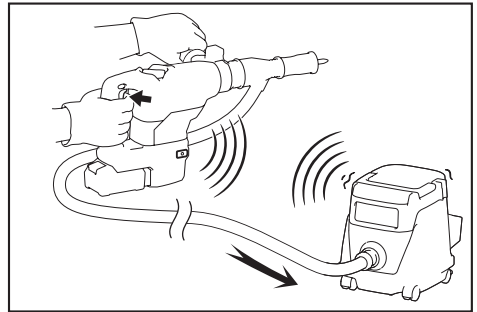


WIRELESS ACTIVATION FUNCTION

Optional accessory

What you can do with the wireless activation function

The wireless activation function enables clean and comfortable operation. By connecting a supported vacuum cleaner to the tool, you can run the vacuum cleaner automatically along with the switch operation of the tool.



To use the wireless activation function, prepare following items:

- A wireless unit (optional accessory)
- A vacuum cleaner which supports the wireless activation function

The overview of the wireless activation function setting is as follows. Refer to each section for detail procedures.

1. Installing the wireless unit
2. Tool registration for the vacuum cleaner
3. Starting the wireless activation function

Installing the wireless unit

Optional accessory

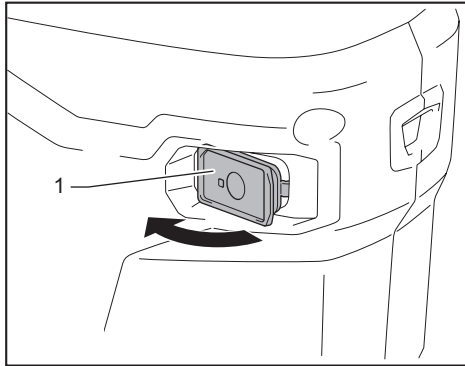
CAUTION: Place the tool on a flat and stable surface when installing the wireless unit.

NOTICE: Clean the dust and dirt on the tool before installing the wireless unit. Dust or dirt may cause malfunction if it comes into the slot of the wireless unit.

NOTICE: To prevent the malfunction caused by static, touch a static discharging material, such as a metal part of the tool, before picking up the wireless unit.

NOTICE: When installing the wireless unit, always be sure that the wireless unit is inserted in the correct direction and the lid is completely closed.

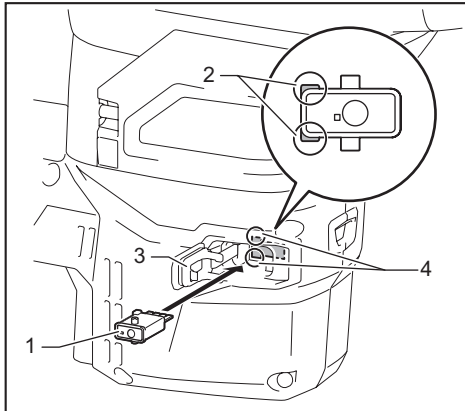
1. Open the lid on the tool as shown in the figure.



- 1. Lid

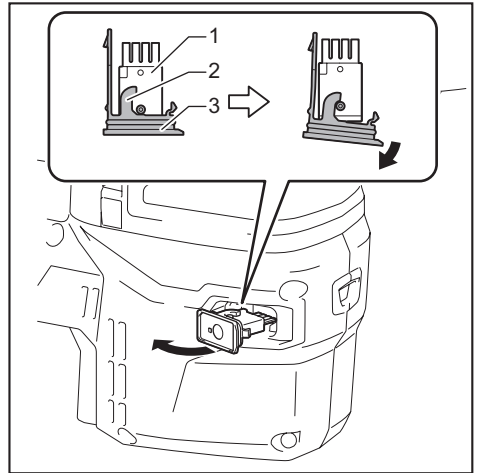
2. Insert the wireless unit to the slot and then close the lid.

When inserting the wireless unit, align the projections with the recessed portions on the slot.



- 1. Wireless unit 2. Projection 3. Lid 4. Recessed portion

When removing the wireless unit, open the lid slowly. The hooks on the back of the lid will lift the wireless unit as you pull up the lid.



- 1. Wireless unit 2. Hook 3. Lid

After removing the wireless unit, keep it in the supplied case or a static-free container.

NOTICE: Always use the hooks on the back of the lid when removing the wireless unit. If the hooks do not catch the wireless unit, close the lid completely and open it slowly again.

Tool registration for the vacuum cleaner

NOTE: A Makita vacuum cleaner supporting the wireless activation function is required for the tool registration.

NOTE: Finish installing the wireless unit to the tool before starting the tool registration.

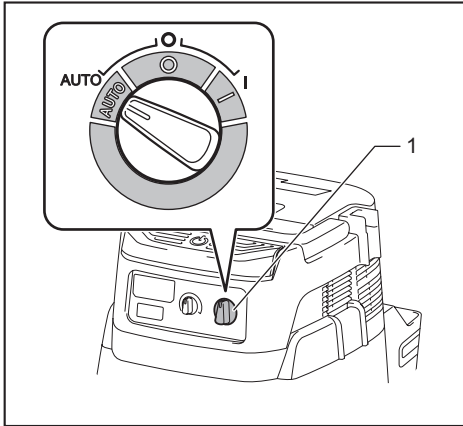
NOTE: During the tool registration, do not pull the switch trigger or turn on the power switch on the vacuum cleaner.

NOTE: Refer to the instruction manual of the vacuum cleaner, too.

If you wish to activate the vacuum cleaner along with the switch operation of the tool, finish the tool registration beforehand.

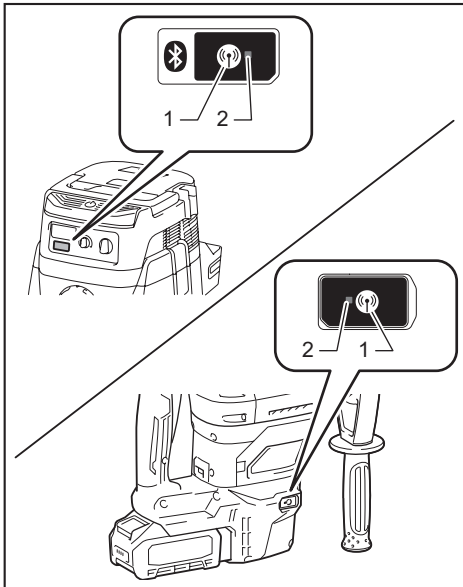
1. Install the batteries to the vacuum cleaner and the tool.

- Set the stand-by switch on the vacuum cleaner to "AUTO".



► 1. Stand-by switch

- Press the wireless activation button on the vacuum cleaner for 3 seconds until the wireless activation lamp blinks in green. And then press the wireless activation button on the tool in the same way.



► 1. Wireless activation button 2. Wireless activation lamp

If the vacuum cleaner and the tool are linked successfully, the wireless activation lamps will light up in green for 2 seconds and start blinking in blue.

NOTE: The wireless activation lamps finish blinking in green after 20 seconds elapsed. Press the wireless activation button on the tool while the wireless activation lamp on the cleaner is blinking. If the wireless activation lamp does not blink in green, push the wireless activation button briefly and hold it down again.

NOTE: When performing two or more tool registrations for one vacuum cleaner, finish the tool registration one by one.

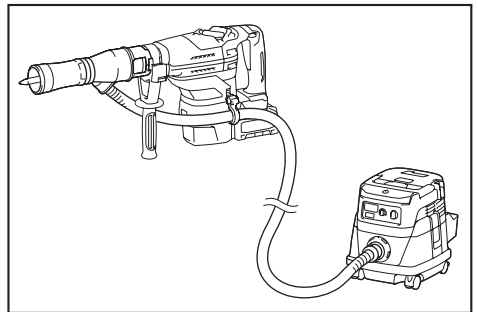
Starting the wireless activation function

NOTE: Finish the tool registration for the vacuum cleaner prior to the wireless activation.

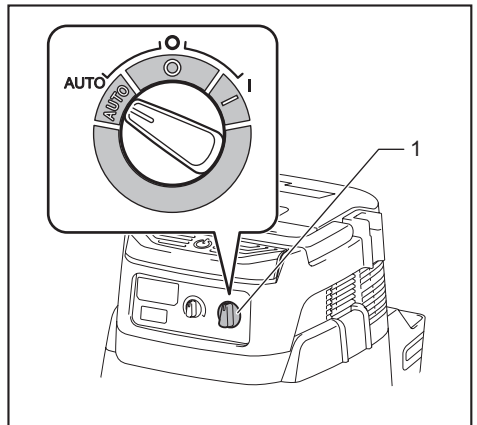
NOTE: Refer to the instruction manual of the vacuum cleaner, too.

After registering a tool to the vacuum cleaner, the vacuum cleaner will automatically runs along with the switch operation of the tool.

- Install the wireless unit to the tool.
- Connect the hose of the vacuum cleaner with the tool.

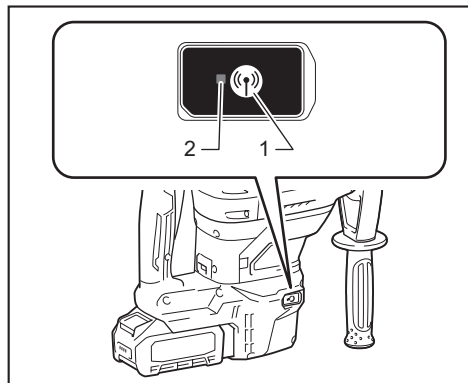


- Set the stand-by switch on the vacuum cleaner to "AUTO".



► 1. Stand-by switch

4. Push the wireless activation button on the tool briefly. The wireless activation lamp will blink in blue.



► 1. Wireless activation button 2. Wireless activation lamp

5. Pull the switch trigger of the tool. Check if the vacuum cleaner runs while the switch trigger is being pulled.

To stop the wireless activation of the vacuum cleaner, push the wireless activation button on the tool.

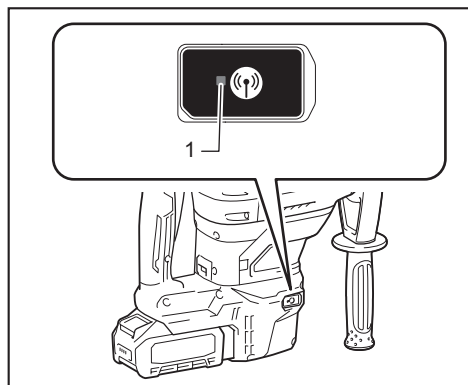
NOTE: The wireless activation lamp on the tool will stop blinking in blue when there is no operation for 2 hours. In this case, set the stand-by switch on the vacuum cleaner to "AUTO" and push the wireless activation button on the tool again.

NOTE: The vacuum cleaner starts/stops with a delay. There is a time lag when the vacuum cleaner detects a switch operation of the tool.

NOTE: The transmission distance of the wireless unit may vary depending on the location and surrounding circumstances.

NOTE: When two or more tools are registered to one vacuum cleaner, the vacuum cleaner may start running even if you do not pull the switch trigger because another user is using the wireless activation function.

Description of the wireless activation lamp status



► 1. Wireless activation lamp

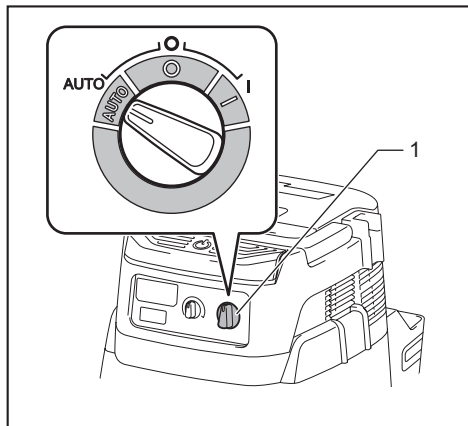
The wireless activation lamp shows the status of the wireless activation function. Refer to the table below for the meaning of the lamp status.

Status	Wireless activation lamp				Description
	Color	■ On	▣ Blinking	Duration	
Standby	Blue		▣	2 hours	The wireless activation of the vacuum cleaner is available. The lamp will automatically turn off when no operation is performed for 2 hours. The wireless activation of the vacuum cleaner is available and the tool is running.
		■		When the tool is running.	
Tool registration	Green		▣	20 seconds	Ready for the tool registration. Waiting for the registration by the vacuum cleaner. The tool registration has been finished. The wireless activation lamp will start blinking in blue.
		■		2 seconds	
Cancelling tool registration	Red		▣	20 seconds	Ready for the cancellation of the tool registration. Waiting for the cancellation by the vacuum cleaner. The cancellation of the tool registration has been finished. The wireless activation lamp will start blinking in blue.
		■		2 seconds	
Others	Red	■		3 seconds	The power is supplied to the wireless unit and the wireless activation function is starting up.
	Off	-		-	The wireless activation of the vacuum cleaner is stopped.

Cancelling tool registration for the vacuum cleaner

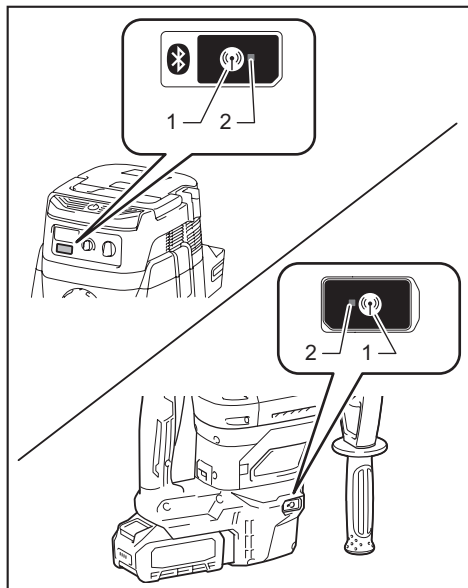
Perform the following procedure when cancelling the tool registration for the vacuum cleaner.

1. Install the batteries to the vacuum cleaner and the tool.
2. Set the stand-by switch on the vacuum cleaner to "AUTO".



► 1. Stand-by switch

3. Press the wireless activation button on the vacuum cleaner for 6 seconds. The wireless activation lamp blinks in green and then become red. After that, press the wireless activation button on the tool in the same way.



► 1. Wireless activation button 2. Wireless activation lamp

If the cancellation is performed successfully, the wireless activation lamps will light up in red for 2 seconds and start blinking in blue.

NOTE: The wireless activation lamps finish blinking in red after 20 seconds elapsed. Press the wireless activation button on the tool while the wireless activation lamp on the cleaner is blinking. If the wireless activation lamp does not blink in red, push the wireless activation button briefly and hold it down again.

Troubleshooting for wireless activation function

Before asking for repairs, conduct your own inspection first. If you find a problem that is not explained in the manual, do not attempt to dismantle the tool. Instead, ask Makita Authorized Service Centers, always using Makita replacement parts for repairs.

State of abnormality	Probable cause (malfunction)	Remedy
The wireless activation lamp does not light/blink.	The wireless unit is not installed into the tool. The wireless unit is improperly installed into the tool.	Install the wireless unit correctly.
	The terminal of the wireless unit and/or the slot is dirty.	Gently wipe off dust and dirt on the terminal of the wireless unit and clean the slot.
	The wireless activation button on the tool has not been pushed.	Push the wireless activation button on the tool briefly.
	The stand-by switch on the vacuum cleaner is not set to "AUTO".	Set the stand-by switch on the vacuum cleaner to "AUTO".
	No power supply	Supply the power to the tool and the vacuum cleaner.
Cannot finish tool registration / cancelling tool registration successfully.	The wireless unit is not installed into the tool. The wireless unit is improperly installed into the tool.	Install the wireless unit correctly.
	The terminal of the wireless unit and/or the slot is dirty.	Gently wipe off dust and dirt on the terminal of the wireless unit and clean the slot.
	The stand-by switch on the vacuum cleaner is not set to "AUTO".	Set the stand-by switch on the vacuum cleaner to "AUTO".
	No power supply	Supply the power to the tool and the vacuum cleaner.
	Incorrect operation	Push the wireless activation button briefly and perform the tool registration/cancellation procedures again.
	The tool and vacuum cleaner are away from each other (out of the transmission range).	Get the tool and vacuum cleaner closer to each other. The maximum transmission distance is approximately 10 m however it may vary according to the circumstances.
	Before finishing the tool registration/cancellation; - the switch trigger on the tool is pulled or; - the power button on the vacuum cleaner is turned on.	Push the wireless activation button briefly and perform the tool registration/cancellation procedures again.
	The tool registration procedures for the tool or vacuum cleaner have not finished.	Perform the tool registration procedures for both the tool and the vacuum cleaner at the same timing.
	Radio disturbance by other appliances which generate high-intensity radio waves.	Keep the tool and vacuum cleaner away from the appliances such as Wi-Fi devices and microwave ovens.
The vacuum cleaner does not run along with the switch operation of the tool.	The wireless unit is not installed into the tool. The wireless unit is improperly installed into the tool.	Install the wireless unit correctly.
	The terminal of the wireless unit and/or the slot is dirty.	Gently wipe off dust and dirt on the terminal of the wireless unit and clean the slot.
	The wireless activation button on the tool has not been pushed.	Push the wireless activation button briefly and make sure that the wireless activation lamp is blinking in blue.
	The stand-by switch on the vacuum cleaner is not set to "AUTO".	Set the stand-by switch on the vacuum cleaner to "AUTO".
	More than 10 tools are registered to the vacuum cleaner.	Perform the tool registration again. If more than 10 tools are registered to the vacuum cleaner, the tool registered earliest will be cancelled automatically.
	The vacuum cleaner erased all tool registrations.	Perform the tool registration again.
	No power supply	Supply the power to the tool and the vacuum cleaner.
	The tool and vacuum cleaner are away from each other (out of the transmission range).	Get the tool and vacuum cleaner closer each other. The maximum transmission distance is approximately 10 m however it may vary according to the circumstances.
	Radio disturbance by other appliances which generate high-intensity radio waves.	Keep the tool and vacuum cleaner away from the appliances such as Wi-Fi devices and microwave ovens.
The vacuum cleaner runs while the tool's switch trigger is not pulled.	Other users are using the wireless activation of the vacuum cleaner with their tools.	Turn off the wireless activation button of the other tools or cancel the tool registration of the other tools.

MAINTENANCE

⚠ CAUTION: Always be sure that the tool is switched off and the battery cartridge is removed before attempting to perform inspection or maintenance.

NOTICE: Never use gasoline, benzine, thinner, alcohol or the like. Discoloration, deformation or cracks may result.

To maintain product SAFETY and RELIABILITY, repairs, any other maintenance or adjustment should be performed by Makita Authorized or Factory Service Centers, always using Makita replacement parts.

OPTIONAL ACCESSORIES

⚠ CAUTION: These accessories or attachments are recommended for use with your Makita tool specified in this manual. The use of any other accessories or attachments might present a risk of injury to persons. Only use accessory or attachment for its stated purpose.

If you need any assistance for more details regarding these accessories, ask your local Makita Service Center.

- SDS-MAX Carbide-tipped drill bits
- SDS-MAX bull point
- SDS-MAX cold chisel
- SDS-MAX scaling chisel
- SDS-MAX clay spade
- Bit grease
- Side handle
- Side grip
- Depth gauge
- Blow-out bulb
- Dust extractor attachment
- Safety goggles
- Wireless unit
- Makita genuine battery and charger
- Plastic carrying case

NOTE: Some items in the list may be included in the tool package as standard accessories. They may differ from country to country.

MAKITA LIMITED WARRANTY

Please refer to the annexed warranty sheet for the most current warranty terms applicable to this product. If annexed warranty sheet is not available, refer to the warranty details set forth at below website for your respective country.

United States of America: www.makitatools.com

Canada: www.makita.ca

Other countries: www.makita.com

ESPECIFICACIONES

Modelo:		GRH05
Capacidades	Punta de carburo	40 mm (1-9/16")
	Punta de corona	105 mm (4-1/18")
Velocidad sin carga (RPM)		250 r/min - 500 r/min
Golpes por minuto		1 450 gpm - 2 900 gpm
Longitud total	con el modelo BL4025	484 mm (19")
	con el modelo BL4040	500 mm (19-3/4")
Tensión nominal		c.c. 36 V a 40 V máx.
Peso neto		7,4 kg - 7,9 kg (16,3 lbs - 17,4 lbs)

- Debido a nuestro continuo programa de investigación y desarrollo, las especificaciones aquí incluidas están sujetas a cambio sin previo aviso.
- Las especificaciones y el cartucho de batería pueden variar de país a país.
- El peso puede variar en función de los accesorios, incluido el cartucho de batería. En la tabla se muestra la combinación de peso más ligero y más pesado conforme al procedimiento 01/2014 de EPTA.

Cartucho de batería y cargador aplicables

Cartucho de batería	BL4025 / BL4040
Cargador	DC40RA

- Algunos de los cartuchos de batería y cargadores enumerados arriba podrían no estar disponibles dependiendo de su área de residencia.

⚠ ADVERTENCIA: Use únicamente los cartuchos de batería y los cargadores indicados arriba. El uso de cualquier otro cartucho de batería y cargador podría ocasionar una lesión y/o un incendio.

ADVERTENCIAS DE SEGURIDAD

Advertencias generales de seguridad para herramientas eléctricas

⚠ ADVERTENCIA: Lea todas las advertencias de seguridad, instrucciones, ilustraciones y especificaciones suministradas con esta herramienta eléctrica. El no seguir todas las instrucciones indicadas a continuación podría ocasionar una descarga eléctrica, incendio y/o lesiones graves.

Conserve todas las advertencias e instrucciones como referencia en el futuro.

En las advertencias, el término "herramienta eléctrica" se refiere a su herramienta eléctrica de funcionamiento con conexión a la red eléctrica (con cableado eléctrico) o herramienta eléctrica de funcionamiento a batería (inalámbrica).

Seguridad en el área de trabajo

1. Mantenga el área de trabajo limpia y bien iluminada. Las áreas oscuras o desordenadas son propensas a accidentes.

2. No utilice las herramientas eléctricas en atmósferas explosivas, tal como en la presencia de líquidos, gases o polvo inflamables. Las herramientas eléctricas crean chispas que pueden prender fuego al polvo o los humos.
3. Mantenga a los niños y curiosos alejados mientras utiliza una herramienta eléctrica. Las distracciones le pueden hacer perder el control.

Seguridad eléctrica

1. Las clavijas de conexión de las herramientas eléctricas deberán encajar perfectamente en la toma de corriente. No modifique nunca la clavija de conexión de ninguna forma. No utilice ninguna clavija adaptadora con herramientas eléctricas que tengan conexión a tierra (puesta a tierra). La utilización de clavijas no modificadas y que encajen perfectamente en la toma de corriente reducirá el riesgo de que se produzca una descarga eléctrica.
2. Evite tocar con el cuerpo superficies conectadas a tierra o puestas a tierra tales como tubos, radiadores, cocinas y refrigeradores. Si su cuerpo es puesto a tierra o conectado a tierra existirá un mayor riesgo de que sufra una descarga eléctrica.
3. No exponga las herramientas eléctricas a la lluvia ni a condiciones húmedas. La entrada de agua en una herramienta eléctrica aumentará el riesgo de que se produzca una descarga eléctrica.

4. **No maltrate el cable. Nunca utilice el cable para transportar, jalar o desconectar la herramienta eléctrica.** Mantenga el cable alejado del calor, aceite, objetos cortantes o piezas móviles. Los cables dañados o enredados aumentan el riesgo de sufrir una descarga eléctrica.
5. **Cuando utilice una herramienta eléctrica en exteriores, utilice un cable de extensión apropiado para uso en exteriores.** La utilización de un cable apropiado para uso en exteriores reducirá el riesgo de que se produzca una descarga eléctrica.
6. **Si no es posible evitar usar una herramienta eléctrica en condiciones húmedas, utilice un alimentador protegido con interruptor de circuito de falla a tierra (ICFT).** El uso de un ICFT reduce el riesgo de descarga eléctrica.
7. **Las herramientas eléctricas pueden producir campos electromagnéticos (CEM) que no son dañinos para el usuario.** Sin embargo, si los usuarios tienen marcapasos y otros dispositivos médicos similares, deberán consultar al fabricante de su dispositivo y/o a su médico antes de operar esta herramienta eléctrica.
7. **Si dispone de dispositivos para la conexión de equipos de extracción y recolección de polvo, asegúrese de conectarlos y utilizarlos debidamente.** Hacer uso de la recolección de polvo puede reducir los riesgos relacionados con el polvo.
8. **No permita que la familiaridad adquirida debido al uso frecuente de las herramientas haga que se sienta confiado e ignore los principios de seguridad de las herramientas.** Un descuido podría ocasionar una lesión grave en una fracción de segundo.
9. **Utilice siempre gafas protectoras para proteger sus ojos de lesiones al usar herramientas eléctricas.** Las gafas deben cumplir con la Norma ANSI Z87.1 en EUA. Es responsabilidad del empleador imponer el uso de equipos protectores de seguridad apropiados a los operadores de la herramienta y demás personas cerca del área de trabajo.

Mantenimiento y uso de la herramienta eléctrica

1. **No fuerce la herramienta eléctrica. Utilice la herramienta eléctrica correcta para su aplicación.** La herramienta eléctrica adecuada hará un mejor trabajo y de forma más segura a la velocidad para la que ha sido fabricada.
 2. **No utilice la herramienta eléctrica si el interruptor no la enciende y apaga.** Cualquier herramienta eléctrica que no pueda ser controlada con el interruptor es peligrosa y debe ser reemplazada.
 3. **Desconecte la clavija de la fuente de alimentación y/o retire la batería de la herramienta eléctrica, en caso de ser removible, antes de realizar ajustes, cambiar accesorios o almacenar las herramientas eléctricas.** Tales medidas de seguridad preventivas reducirán el riesgo de poner en marcha la herramienta eléctrica de forma accidental.
 4. **Guarde la herramienta eléctrica que no use fuera del alcance de los niños y no permita que las personas que no están familiarizadas con ella o con las instrucciones la operen.** Las herramientas eléctricas son peligrosas en manos de personas que no saben operarlas.
 5. **Dé mantenimiento a las herramientas eléctricas y los accesorios. Compruebe que no haya piezas móviles desalineadas o estancadas, piezas rotas y cualquier otra condición que pueda afectar al funcionamiento de la herramienta eléctrica.** Si la herramienta eléctrica está dañada, haga que la reparen antes de utilizarla. Muchos de los accidentes son ocasionados por no dar un mantenimiento adecuado a las herramientas eléctricas.
 6. **Mantenga las herramientas de corte limpias y filosas.** Si recibe un mantenimiento adecuado y tiene los bordes afilados, es probable que la herramienta se atasque menos y sea más fácil controlarla.
 7. **Utilice la herramienta eléctrica, los accesorios y las brocas de acuerdo con estas instrucciones, considerando las condiciones laborales y el trabajo a realizar.** Si utiliza la herramienta eléctrica para realizar operaciones distintas de las indicadas, podrá presentarse una situación peligrosa.
- #### Seguridad personal
1. **Manténgase alerta, preste atención a lo que está haciendo y utilice su sentido común cuando opere una herramienta eléctrica. No utilice una herramienta eléctrica cuando esté cansado o bajo la influencia de drogas, alcohol o medicamentos.** Un momento de distracción mientras opera las herramientas eléctricas puede terminar en una lesión grave.
 2. **Use equipo de protección personal. Póngase siempre protección para los ojos.** El equipo protector tal como máscara contra el polvo, zapatos de seguridad antiderrapantes, casco rígido y protección para oídos utilizado en las condiciones apropiadas reducirá el riesgo de lesiones.
 3. **Impida el encendido accidental. Asegúrese de que el interruptor esté en la posición de apagado antes de conectar a la alimentación eléctrica y/o de colocar el cartucho de batería, así como al levantar o cargar la herramienta.** Cargar las herramientas eléctricas con su dedo en el interruptor o enchufarlas con el interruptor encendido hace que los accidentes sean comunes.
 4. **Retire cualquier llave de ajuste o llave de apriete antes de encender la herramienta.** Una llave de ajuste o llave de apriete que haya sido dejada puesta en una parte giratoria de la herramienta eléctrica puede ocasionar alguna lesión.
 5. **No utilice la herramienta donde no alcance. Mantenga los pies sobre suelo firme y el equilibrio en todo momento.** Esto permite un mejor control de la herramienta eléctrica en situaciones inesperadas.
 6. **Use una vestimenta apropiada. No use ropa suelta ni alhajas. Mantenga el cabello, la ropa y los guantes alejados de las piezas móviles.** Las prendas de vestir holgadas, las alhajas y el cabello largo suelto podrían engancharse en estas piezas móviles.

ADVERTENCIAS DE SEGURIDAD PARA EL MARTILLO ROTATIVO INALÁMBRICO

8. **Mantenga los mangos y superficies de asiento secos, limpios y libres de aceite o grasa.** Los mangos y superficies de asiento resbalosos no permiten una manipulación segura ni el control de la herramienta en situaciones inesperadas.
9. **Cuando vaya a utilizar esta herramienta, evite usar guantes de trabajo de tela ya que éstos podrían atorarse.** Si los guantes de trabajo de tela llegan a atorarse en las piezas móviles, esto podría ocasionar lesiones personales.

Uso y cuidado de la herramienta a batería

1. **Recargue sólo con el cargador especificado por el fabricante.** Un cargador que es adecuado para un solo tipo de batería puede generar riesgo de incendio al ser utilizado con otra batería.
2. **Utilice las herramientas eléctricas solamente con las baterías designadas específicamente para ellas.** La utilización de cualquier otra batería puede crear un riesgo de lesiones o incendio.
3. **Cuando no se esté usando la batería, manténgala alejada de otros objetos metálicos, como sujetapapeles (clips), monedas, llaves, clavos, tornillos u otros objetos pequeños de metal los cuales pueden actuar creando una conexión entre las terminales de la batería.** Originar un cortocircuito en las terminales puede causar quemaduras o incendios.
4. **En condiciones abusivas, podrá escapar líquido de la batería; evite tocarlo. Si lo toca accidentalmente, enjuague con agua. Si hay contacto del líquido con los ojos, busque asistencia médica.** Puede que el líquido expulsado de la batería cause irritación o quemaduras.
5. **No utilice una herramienta ni una batería que estén dañadas o hayan sido modificadas.** Las baterías dañadas o modificadas podrían ocasionar una situación inesperada provocando un incendio, explosión o riesgo de lesiones.
6. **No exponga la herramienta ni la batería al fuego ni a una temperatura excesiva.** La exposición al fuego o a una temperatura superior a los 130 °C podría causar una explosión.
7. **Siga todas las instrucciones para la carga y evite cargar la herramienta o la batería fuera del rango de temperatura especificado en las instrucciones.** Una carga inadecuada o a una temperatura fuera del rango especificado podría dañar la batería e incrementar el riesgo de incendio.

Servicio

1. **Haga que una persona calificada repare la herramienta eléctrica utilizando sólo piezas de repuesto idénticas.** Esto asegura que se mantenga la seguridad de la herramienta eléctrica.
2. **Nunca dé servicio a baterías que estén dañadas.** El servicio a las baterías solamente deberá ser efectuado por el fabricante o un agente de servicio autorizado.
3. **Siga las instrucciones para la lubricación y cambio de accesorios.**
4. **No modifique ni intente reparar el aparato ni el paquete de baterías salvo como se indique en las instrucciones para el uso y cuidado.**

1. **Utilice protectores de oídos.** La exposición al ruido puede provocar pérdida auditiva.
2. **Utilice los mango(s) auxiliare(s) que se suministren con la herramienta.** La pérdida de control puede ocasionar lesiones.
3. **Sujete la herramienta eléctrica por las superficies de asiento aisladas al realizar una operación en la que el accesorio de corte pueda entrar en contacto con cableado oculto.** Si el accesorio de corte entra en contacto con un cable con corriente, las piezas metálicas expuestas de la herramienta eléctrica se cargarán también de corriente y el operador podría recibir una descarga eléctrica.
4. **Utilice un casco protector (casco de seguridad), gafas de seguridad y/o careta de protección.** Los anteojos comunes o de sol NO son gafas de seguridad. También es muy recomendable que utilice una máscara contra polvo y guantes bien acolchados.
5. **Asegúrese de que la punta se encuentre asegurada en su lugar antes de la operación.**
6. **En condiciones normales de operación, la herramienta está diseñada para producir vibración. Los tornillos pueden aflojarse fácilmente y causar una falla o accidente. Verifique cuidadosamente que los tornillos estén apretados antes de la operación.**
7. **En clima frío o cuando la herramienta no se haya utilizado durante un tiempo prolongado, permita que la herramienta se caliente un rato haciéndola funcionar sin carga. Esto facilitará la lubricación. Sin un calentamiento apropiado, la operación de percusión resultará difícil.**
8. **Asegúrese siempre de que pisa sobre suelo firme. Asegúrese de que no haya nadie debajo cuando utilice la herramienta en lugares altos.**
9. **Sujete la herramienta firmemente con ambas manos.**
10. **Mantenga las manos alejadas de las piezas móviles.**
11. **No deje la herramienta funcionando. Tenga en marcha la herramienta solamente cuando la esté sosteniendo con la mano.**
12. **Durante la operación, no apunte con la herramienta a ninguna persona en el área. La punta podría salir volando y causarle una lesión grave a alguien.**
13. **No toque la punta, las partes cerca de la punta o la pieza de trabajo inmediatamente después de la operación; éstas podrían estar extremadamente calientes y provocarle quemaduras en la piel.**
14. **Algunos materiales contienen sustancias químicas que pueden ser tóxicas. Evite inhalar polvo y que éste entre en contacto con la piel. Consulte la hoja de seguridad de materiales del proveedor.**


15. Asegúrese siempre de que la herramienta esté apagada y de que el cartucho de batería y la punta hayan sido extraídos antes de pasarle la herramienta a otra persona.
16. Antes de iniciar la operación, asegúrese de que no hay objetos enterrados tales como tuberías eléctricas, de gas o de agua en el área de trabajo. De lo contrario, la broca/cinzel podrían entrar en contacto con estas y resultar en una descarga eléctrica, fuga eléctrica o fuga de gas.
17. No opere la herramienta al vacío innecesariamente.

GUARDE ESTAS INSTRUCCIONES.

⚠ ADVERTENCIA: NO DEJE que la comodidad o familiaridad con el producto (a base de utilizarlo repetidamente) evite que siga estrictamente las normas de seguridad para dicho producto. El USO INCORRECTO o el no seguir las normas de seguridad indicadas en este manual de instrucciones puede ocasionar lesiones graves.

Símbolos

A continuación se muestran los símbolos utilizados para la herramienta.

V	volts o voltios
— — —	corriente directa o continua
n _o	velocidad sin carga
... /min r /min	revoluciones o alternaciones por minuto, frecuencia de rotación
	número de percusiones

Instrucciones importantes de seguridad para el cartucho de batería

1. Antes de utilizar el cartucho de batería, lea todas las instrucciones e indicaciones de precaución en el (1) el cargador de batería, (2) la batería, y (3) el producto con el que se utiliza la batería.
2. No desarme ni modifique el cartucho de batería. Podría ocurrir un incendio, calor excesivo o una explosión.
3. Si el tiempo de operación se ha acortado en exceso, deje de operar de inmediato. Podría correrse el riesgo de sobrecalentamiento, posibles quemaduras e incluso explosión.
4. En caso de que ingresen electrolitos en sus ojos, enjuáguelos bien con agua limpia y consulte de inmediato a un médico. Esto podría ocasionar pérdida de visión.
5. Evite cortocircuitar el cartucho de batería:
 - (1) No toque las terminales con ningún material conductor.
 - (2) Evite guardar el cartucho de batería en un cajón junto con otros objetos metálicos, tales como clavos, monedas, etc.
 - (3) No exponga el cartucho de batería al agua o la lluvia.
 Un cortocircuito en la batería puede causar un flujo grande de corriente, sobrecalentamiento, posibles quemaduras e incluso una descompostura.
6. No guarde ni utilice la herramienta y el cartucho de batería en lugares donde la temperatura pueda alcanzar o exceder los 50 °C (122 °F).
7. Nunca incinere el cartucho de batería incluso en el caso de que esté dañado seriamente o ya no sirva en absoluto. El cartucho de batería puede explotar si se tira al fuego.
8. No clave, corte, aplaste, lance o deje caer el cartucho de batería, ni golpee un objeto sólido contra el cartucho de batería. Dicha acción podría resultar en un incendio, calor excesivo o en una explosión.
9. No use una batería dañada.
10. Las baterías de ión de litio están sujetas a los requisitos reglamentarios en materia de bienes peligrosos.

Para el transporte comercial, por ej., mediante terceros o agentes de transporte, se deben tomar en cuenta los requisitos especiales relativos al empaque y el etiquetado.

Para efectuar los preparativos del artículo que se va a enviar, se requiere consultar a un experto en materiales peligrosos. Si es posible, consulte además otras regulaciones nacionales más detalladas.

Pegue o cubra con cinta adhesiva los contactos abiertos y empaque la batería de manera que ésta no pueda moverse dentro del paquete.
11. Para deshacerse del cartucho de batería, sáquelo de la herramienta y deséchelo en un lugar seguro. Siga las regulaciones locales relacionadas al desecho de las baterías.
12. Utilice las baterías únicamente con los productos especificados por Makita. Instalar las baterías en productos que no cumplan con los requisitos podría ocasionar un incendio, un calentamiento excesivo, una explosión o una fuga de electrolito.
13. Si no se utiliza la herramienta por un período largo, debe extraerse la batería de la herramienta.
14. El cartucho de batería podría absorber calor durante y después de su uso, lo que ocasionaría quemaduras o quemaduras a baja temperatura. Tenga cuidado con la manipulación de los cartuchos de batería que estén calientes.
15. No toque el terminal de la herramienta inmediatamente después de su uso, ya que el mismo podría estar lo suficientemente caliente como para provocar quemaduras.
16. No permita que las rebabas, el polvo o la tierra queden atrapados en los terminales, orificios y ranuras del cartucho de batería. Esto podría ocasionar un desempeño deficiente o descompostura de la herramienta o del cartucho de batería.

17. No utilice el cartucho de batería cerca de cables eléctricos de alto voltaje, a menos que la herramienta sea compatible con el uso cercano a estos cables eléctricos de alto voltaje. Esto podría ocasionar una avería o descomposición de la herramienta o del cartucho de batería.
18. Mantenga la batería alejada de los niños.

GUARDE ESTAS INSTRUCCIONES.

⚠️ PRECAUCIÓN: Utilice únicamente baterías originales de Makita. El uso de baterías no originales de Makita, o de baterías alteradas, puede ocasionar que las baterías exploten causando un incendio, lesiones personales y daños. Asimismo, esto invalidará la garantía de Makita para la herramienta y el cargador Makita.

Consejos para alargar al máximo la vida útil de la batería

1. Cargue el cartucho de batería antes de que se descargue completamente. Pare siempre la operación y cargue el cartucho de batería cuando note menos potencia en la herramienta.
2. No cargue nunca un cartucho de batería que esté completamente cargado. La sobrecarga acortará la vida de servicio de la batería.
3. Cargue el cartucho de batería a una temperatura ambiente de 10 °C - 40 °C (50 °F - 104 °F). Si un cartucho de batería está caliente, déjelo enfriar antes de cargarlo.
4. Cuando no utilice el cartucho de batería, sáquelo de la herramienta o del cargador.
5. Cargue el cartucho de batería si no va a utilizarlo durante un periodo prolongado (más de seis meses).

Instrucciones importantes de seguridad para la unidad inalámbrica

1. No desarme ni modifique la unidad inalámbrica.
2. Mantenga la unidad inalámbrica alejada de los niños pequeños. En caso de ingerirla accidentalmente, solicite atención médica de inmediato.
3. Utilice la unidad inalámbrica solamente con herramientas de Makita.
4. No exponga la unidad inalámbrica a la lluvia ni a condiciones de humedad.
5. No utilice la unidad inalámbrica en lugares donde la temperatura exceda los 50°C (122°F).
6. No utilice la unidad inalámbrica en lugares donde haya instrumentos médicos tales como marcapasos cerca.
7. No utilice la unidad inalámbrica en lugares donde haya dispositivos automáticos cerca. Si se utiliza, los dispositivos automáticos podrían causar alguna avería o error.
8. No opere la unidad inalámbrica en lugares con alta temperatura o donde pueda generarse electricidad estática o ruido eléctrico.

9. La unidad inalámbrica puede producir campos electromagnéticos (CEM), sin embargo éstos no son dañinos para el usuario.
10. La unidad inalámbrica es un instrumento de precisión. Tenga cuidado de no dejar caer ni golpear la unidad inalámbrica.
11. Evite tocar la terminal de la unidad inalámbrica con las manos descubiertas o con materiales metálicos.
12. Retire siempre la batería del producto al instalar en él la unidad inalámbrica.
13. Cuando abra la tapa de la ranura, evite el lugar donde el polvo y el agua puedan introducirse en la ranura. Mantenga siempre la entrada de la ranura limpia.
14. Inserte siempre la unidad inalámbrica en la dirección correcta.
15. No oprima el botón de activación inalámbrica en la unidad inalámbrica demasiado fuerte, ni lo haga con ningún objeto que tenga un borde filoso.
16. Cierre siempre la tapa de la ranura durante la operación.
17. No retire la unidad inalámbrica de la ranura mientras se esté suministrando energía a la herramienta. El hacerlo podría causar una avería de la unidad inalámbrica.
18. No retire la etiqueta en la unidad inalámbrica.
19. No coloque ninguna etiqueta en la unidad inalámbrica.
20. No deje la unidad inalámbrica en un lugar donde pueda generarse electricidad estática o ruido eléctrico.
21. No deje la unidad inalámbrica en un lugar sujeto a temperaturas altas, tal como un vehículo estacionado bajo el sol.
22. No deje la unidad inalámbrica en un lugar donde haya polvo o suciedad ni en un lugar donde pueda generarse gas corrosivo.
23. Los cambios repentinos de temperatura podrían humedecer la unidad inalámbrica. No utilice la unidad inalámbrica hasta que la condensación se haya secado por completo.
24. Cuando vaya a limpiar la unidad inalámbrica, hágalo cuidadosamente usando un paño suave seco. No utilice bencina, disolvente, grasa conductora o sustancias similares.
25. Cuando vaya a almacenar la unidad inalámbrica, guárdela en el estuche suministrado o en un contenedor libre de electricidad estática.
26. No inserte ningún otro dispositivo que no sea la unidad inalámbrica de Makita en la ranura de la herramienta.
27. No utilice la herramienta si la tapa de la ranura está dañada. La entrada de agua, polvo o suciedad en la ranura podría causar una avería.
28. No jale ni tuerza la tapa de la ranura más de lo necesario. Vuelva a colocar la tapa si ésta se sale de la herramienta.
29. Reemplace la tapa de la ranura si llega a perderse o dañarse.

GUARDE ESTAS INSTRUCCIONES.

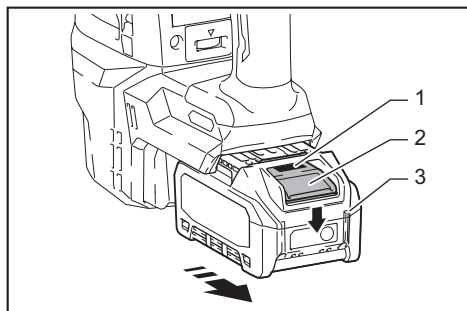
DESCRIPCIÓN DEL FUNCIONAMIENTO

⚠️ PRECAUCIÓN: Asegúrese siempre de que la herramienta esté apagada y el cartucho de batería haya sido extraído antes de realizar cualquier ajuste o comprobación en la herramienta.

Instalación o extracción del cartucho de batería

⚠️ PRECAUCIÓN: Apague siempre la herramienta antes de colocar o quitar el cartucho de batería.

⚠️ PRECAUCIÓN: Sujete la herramienta y el cartucho de la batería con firmeza al colocar o quitar el cartucho de batería. Si no se sujeta con firmeza la herramienta y el cartucho de batería, puede ocasionar que se resbalen de sus manos causando daños a la herramienta y al cartucho de batería, así como lesiones a la persona.



► 1. Indicador rojo 2. Botón 3. Cartucho de batería

Para quitar el cartucho de batería, deslícelo de la herramienta mientras desliza el botón sobre la parte delantera del cartucho.

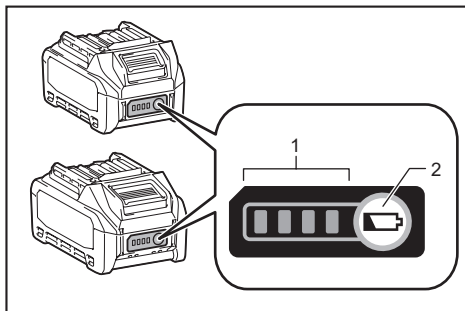
Para colocar el cartucho de batería, alinee la lengüeta sobre el cartucho de batería con la ranura en la carcasa y deslice en su lugar. Inserte por completo hasta que se fije en su lugar con un pequeño clic. Si puede ver el indicador rojo del lado superior del botón, esto indica que no ha quedado fijo por completo.

⚠️ PRECAUCIÓN: Introduzca siempre completamente el cartucho de batería hasta que el indicador rojo no pueda verse. Si no, podría accidentalmente salirse de la herramienta y caer al suelo causando una lesión a usted o alguien a su alrededor.

⚠️ PRECAUCIÓN: No instale el cartucho de batería a la fuerza. Si el cartucho no se desliza al interior fácilmente, se debe a que no está siendo insertado correctamente.

Indicación de la capacidad restante de la batería

Oprima el botón de verificación en el cartucho de la batería para que indique la capacidad restante de la batería. Las luces indicadoras se iluminarán por algunos segundos.



► 1. Luces indicadoras 2. Botón de verificación

Luces indicadoras			Capacidad restante
Iluminadas	Apagadas	Parpadeando	
■ ■ ■ ■	□ □ □ □	▬	75% a 100%
■ ■ ■ □	□ □ □ □	▬	50% a 75%
■ ■ □ □	□ □ □ □	▬	25% a 50%
■ □ □ □	□ □ □ □	▬	0% a 25%
▬ □ □ □	□ □ □ □	▬	Cargar la batería.
■ □ □ □	□ □ □ □	▬	La batería pudo haber funcionado mal.
□ □ □ □	■ ■ ■ ■	↑ ↓	

NOTA: Dependiendo de las condiciones de uso y la temperatura ambiente, la indicación podrá diferir ligeramente de la capacidad real.

NOTA: La primera luz indicadora (extrema izquierda) parpadeará cuando el sistema de protección de batería esté en funcionamiento.

Sistema de protección para la herramienta/batería

La herramienta está equipada con un sistema de protección de la herramienta/batería. Este sistema corta en forma automática el suministro de energía al motor para prolongar la vida útil de la herramienta y la batería. La herramienta se detendrá automáticamente durante la operación si la herramienta o la batería se someten a una de las siguientes condiciones:

Protección contra sobrecarga

Cuando la herramienta o la batería se estén utilizando de una manera que cause que consuman una cantidad de corriente anormalmente alta, la herramienta se detendrá automáticamente sin indicación alguna. En este caso, apague la herramienta y detenga la aplicación que causó que la herramienta se sobrecargara. Luego encienda la herramienta para reiniciarla.

Protección contra sobrecalentamiento

Cuando la herramienta o la batería se sobrecalienten, la herramienta se detendrá automáticamente y la lámpara parpadeará. En este caso, permita que la herramienta y la batería se enfríen antes de volver a encender la herramienta.

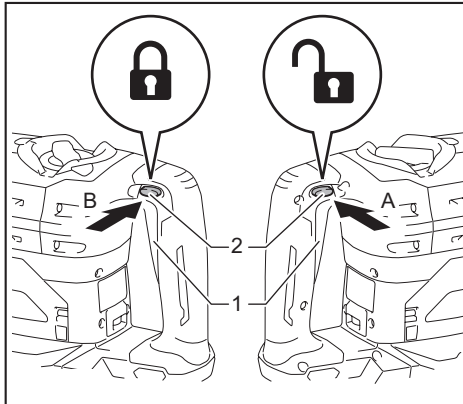
Protección en caso de sobredescarga

Cuando la capacidad de la batería no es suficiente, la herramienta se detiene automáticamente. En este caso, retire la batería de la herramienta y cárguela.

Accionamiento del interruptor

⚠️ ADVERTENCIA: Antes de insertar el cartucho de batería en la herramienta, compruebe siempre y cerciórese de que el gatillo interruptor se acciona debidamente y que vuelve a la posición "OFF" (apagado) cuando lo suelta.

⚠️ PRECAUCIÓN: Cuando no vaya a utilizar la herramienta, oprima el botón de bloqueo del gatillo del lado **1** para bloquear el gatillo interruptor en la posición de apagado.

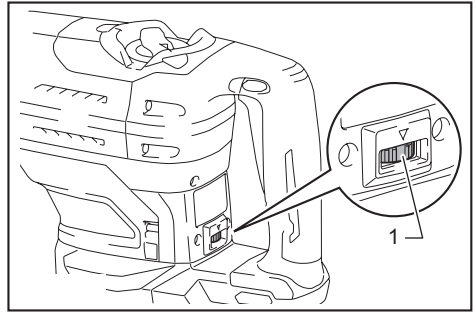


► 1. Gatillo interruptor 2. Botón de bloqueo del gatillo

Para evitar jalar accidentalmente el gatillo interruptor, se suministra el botón de bloqueo del gatillo. Para arrancar la herramienta, oprima el botón de bloqueo del gatillo del lado A y jale el gatillo interruptor. Para detenerla, suelte el gatillo interruptor. Cuando termine de usarla, oprima el botón de bloqueo del gatillo del lado B.

Cambio de velocidad

Las revoluciones y golpes por minuto se pueden ajustar girando el selector de ajuste. El selector está marcado del 1 (velocidad más baja) al 5 (velocidad más alta).



► 1. Selector de ajuste

Consulte la tabla a continuación para ver la relación entre el número en el selector de ajuste y las revoluciones y golpes por minuto.

Número	Revoluciones por minuto	Golpes por minuto
5	500	2900
4	470	2700
3	380	2150
2	290	1650
1	250	1450

⚠️ PRECAUCIÓN: No gire el selector de ajuste cuando la herramienta esté funcionando. De lo contrario, podría resultar en la pérdida de control de la herramienta y ocasionar una lesión.

AVISO: Si la herramienta es operada a baja velocidad de forma continua durante un tiempo prolongado, el motor se sobrecargará provocando que la herramienta se averíe.

AVISO: El selector de ajuste de velocidad solo puede girarse hasta 5 y de regreso a 1. No lo fuerce más allá de 5 o 1 o la función de ajuste de velocidad podría dejar de funcionar.

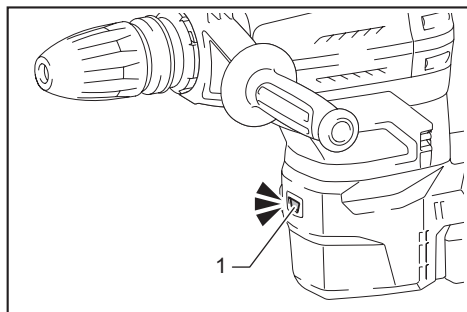
NOTA: Función de rotación suave sin carga

Cuando el selector de ajuste de velocidad está ajustado en "3" o más, la herramienta automáticamente reduce la velocidad a velocidad sin carga a fin de disminuir la vibración en esta modalidad.

Cuando la operación comienza con una punta contra concreto, los golpes por minuto se incrementan y alcanzan los números que se muestran en la tabla.

Cuando la temperatura es baja, la herramienta podría no tener esta función aun con el motor girando.

Iluminación de la luz delantera



► 1. Luz

PRECAUCIÓN: No mire a la luz ni vea a la fuente de luz directamente.

Jale el gatillo interruptor para encender la luz. La luz continúa iluminándose mientras se está jalando el gatillo interruptor. La luz se apaga aproximadamente 10 segundos tras haber liberado el gatillo interruptor.

AVISO: Si la lámpara se apaga después de parpadear durante algunos segundos, la tecnología de detección de retroalimentación activa no está funcionando correctamente. Solicite la reparación en el centro de servicio Makita de su localidad.


NOTA: Utilice un paño seco para quitar la suciedad de la lente de la lámpara. Tenga cuidado de no rayar la lente de la lámpara ya que la iluminación podría disminuir.

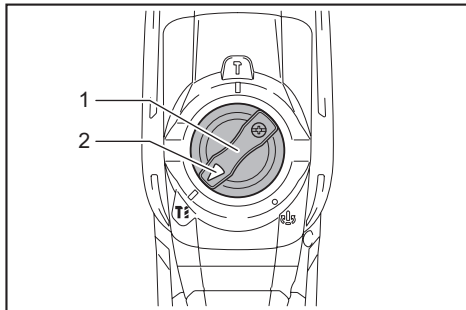
Selección del modo de accionamiento

AVISO: No gire la perilla de cambio de modo de accionamiento cuando la herramienta esté en marcha. Esto podría causar daños a la herramienta.

AVISO: Para evitar un desgaste rápido del mecanismo de cambio de modo, asegúrese siempre de que la perilla de cambio de modo de accionamiento se encuentre realmente ubicada en una de las tres posiciones del modo de accionamiento.

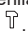
Rotación con percusión

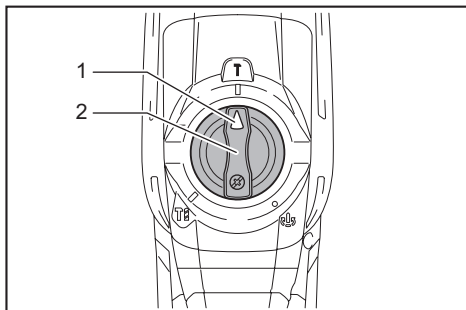
Para perforar en concreto, mampostería, etc., gire la perilla de cambio de modo de accionamiento al símbolo . Utilice una broca con punta de carburo.



► 1. Perilla de cambio de modo de accionamiento
2. Indicador

Sólo percusión

Para operaciones de cincelado, desincrustación o demolición, gire la perilla de cambio de modo de accionamiento al símbolo . Utilice un cincel de punta, cincel plano, cincel de desincrustación, etc.



► 1. Indicador 2. Perilla de cambio de modo de accionamiento

Limitador de torsión

AVISO: En cuanto el limitador de torsión se accione, apague de inmediato la herramienta. Esto ayudará a evitar el desgaste prematuro de la herramienta.

AVISO: Las brocas tales como las de sierra perforadora, las cuales tienden a atorarse o engancharse fácilmente en el agujero, no son adecuadas para esta herramienta. Esto es debido a que pueden provocar que el limitador de torsión se accione con demasiada frecuencia.

El limitador de torsión se accionará una vez que se alcance un cierto nivel de torsión. El motor se desenganchará del eje de salida. Cuando esto suceda, la broca dejará de girar.

Funcionamiento electrónico

La herramienta está equipada con funciones electrónicas para facilitar la operación.

Control de velocidad constante

La función de control de velocidad permite una rotación constante independientemente de las condiciones de carga.

Arranque suave

La función de arranque suave reduce el impacto de encendido y hace que la máquina se ponga en marcha suavemente.

Tecnología de detección de retroalimentación activa

Si el cuerpo de la herramienta gira repentinamente a la aceleración especificada debido al bloqueo de la broca, etc., el motor se detendrá a la fuerza para reducir la carga de la muñeca.

NOTA: La función de la tecnología de detección de retroalimentación activa no funciona si la aceleración no alcanza la especificada.

NOTA: La función de tecnología de detección de retroalimentación activa también se activa justo cuando la punta simplemente gira a la aceleración especificada en cualquier operación.

En este caso, suelte el gatillo interruptor y luego jálelo para reiniciar la herramienta.

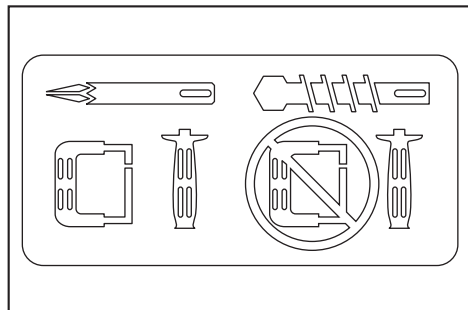
Freno eléctrico

La herramienta está equipada con un freno eléctrico. Si la herramienta falla constantemente en detenerse tras soltar el gatillo interruptor, lleve la herramienta a mantenimiento a un centro de servicio Makita.

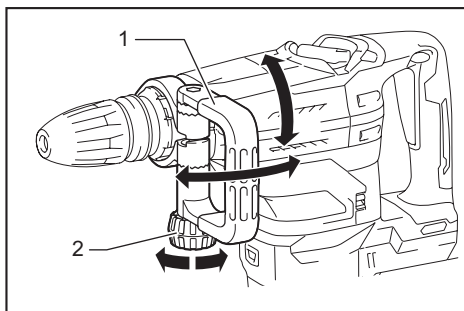
MONTAJE

PRECAUCIÓN: Asegúrese siempre de que la herramienta esté apagada y el cartucho de batería haya sido extraído antes de realizar cualquier trabajo en la misma.

Mango lateral



PRECAUCIÓN: Utilice el mango lateral únicamente para operaciones de cincelado, desincrustación o demolición. No lo utilice para perforar concreto, mampostería, etc. La herramienta no puede sujetarse adecuadamente con este mango lateral al momento de perforar.



► 1. Mango lateral 2. Tuerca de fijación

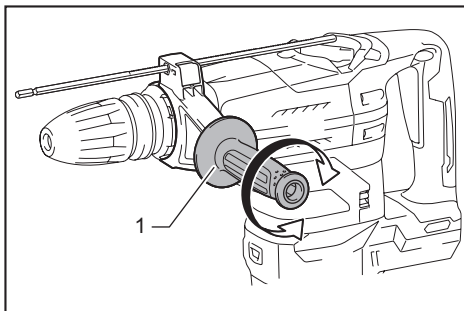
El mango lateral puede girarse en una dirección vertical y asegurarse en cualquier posición que se desee. También se puede ajustar en ocho etapas hacia adelante y hacia atrás en dirección horizontal. Afloje la tuerca de fijación para girar el mango lateral a la posición deseada y luego apriete la tuerca de fijación firmemente.

Empuñadura lateral (mango auxiliar)

PRECAUCIÓN: Utilice siempre la empuñadura lateral para garantizar una operación segura.

PRECAUCIÓN: Después de instalar o ajustar la empuñadura lateral, asegúrese de que quede firmemente asegurada.

La empuñadura lateral puede girar, lo que permite un fácil manejo de la herramienta en cualquier posición. Afloje la empuñadura lateral girándola en sentido inverso al de las manecillas del reloj, gírela a la posición deseada y luego apriétela girándola en el sentido de las manecillas del reloj.

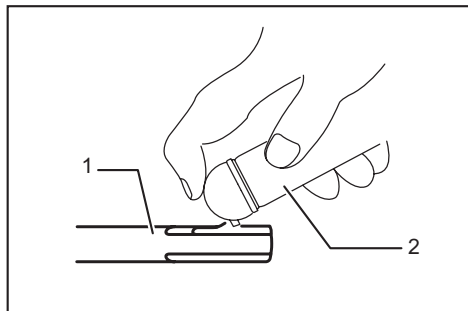


► 1. Empuñadura lateral

Instalación o extracción de la broca

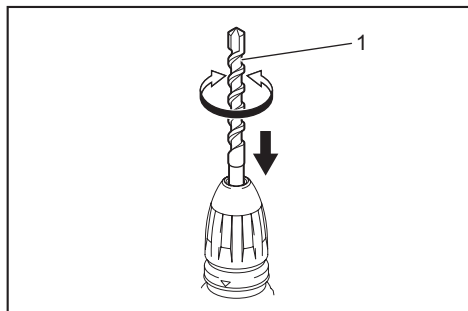
Grasa

Limpe el extremo de la espiga de la punta y aplique grasa antes de instalar la punta. Aplique previamente una pequeña cantidad de grasa (alrededor de 0,5 g - 1 g) en el extremo de la espiga de la punta. La lubricación del portabrocas asegura un accionamiento suave y una vida útil más larga.



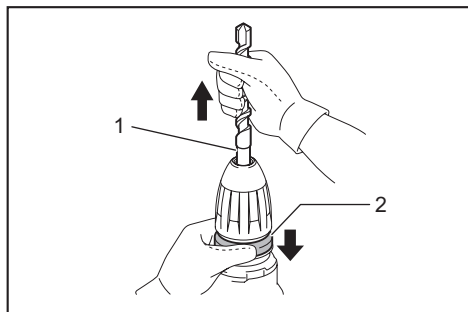
► 1. Extremo de la espiga 2. Grasa

Inserte la broca en la herramienta. Gire la broca y empújela hacia adentro hasta que quede enganchada. Después de instalar la broca, asegúrese siempre de que la broca quede asegurada en su lugar intentando jalarla hacia afuera.



► 1. Broca

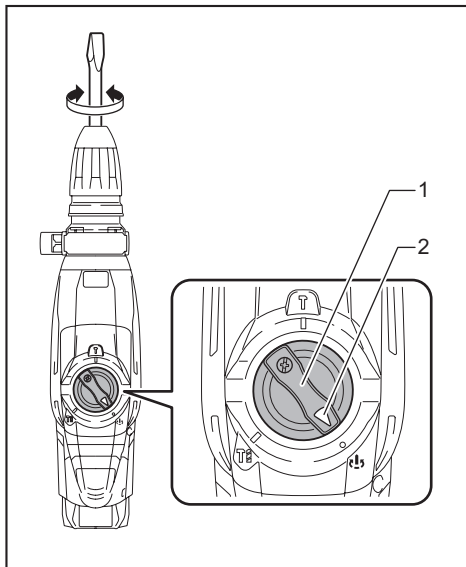
Para extraer la broca, jale hasta abajo la cubierta del portabrocas y jale la broca hacia afuera.



► 1. Broca 2. Cubierta del portabrocas

Ángulo del cincel (durante el cincelado, desincrustación o demolición)

El cincel puede fijarse en el ángulo deseado. Para cambiar el ángulo del cincel, gire la perilla de cambio de modo de accionamiento al símbolo . Gire el cincel al ángulo deseado.



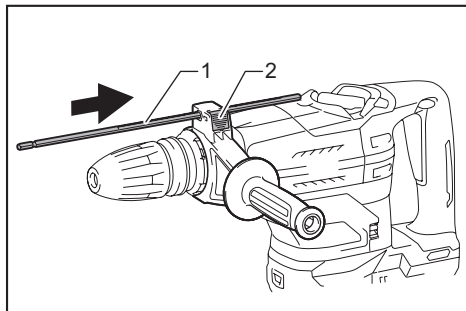
► 1. Perilla de cambio de modo de accionamiento
2. Indicador

Gire la perilla de cambio de modo de accionamiento al símbolo . Luego asegúrese de que el cincel quede asegurado en su lugar girándolo ligeramente.

Calibrador de profundidad

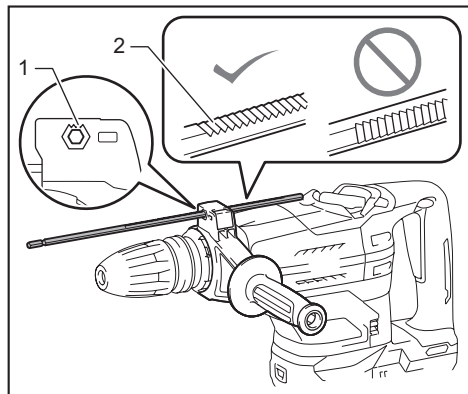
El calibrador de profundidad sirve para perforar orificios de profundidad uniforme.

Oprima y mantenga oprimido el botón de bloqueo y luego inserte el calibrador de profundidad en el orificio hexagonal.



► 1. Calibrador de profundidad 2. Botón de bloqueo

Asegúrese de que el lado dentado del calibrador de profundidad quede de frente a la marca.



► 1. Marca 2. Lado dentado

Ajuste el calibrador de profundidad moviéndolo hacia atrás y hacia adelante mientras oprime el botón de bloqueo. Después de ajustarlo, suelte el botón de bloqueo para bloquear el calibrador de profundidad.

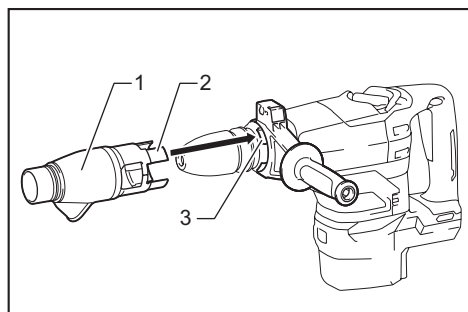
NOTA: Asegúrese de que el calibrador de profundidad no toque el cuerpo principal de la herramienta al momento de fijarlo.

Accesorio del extractor de polvo

Accesorio opcional

Instalación del accesorio del extractor de polvo

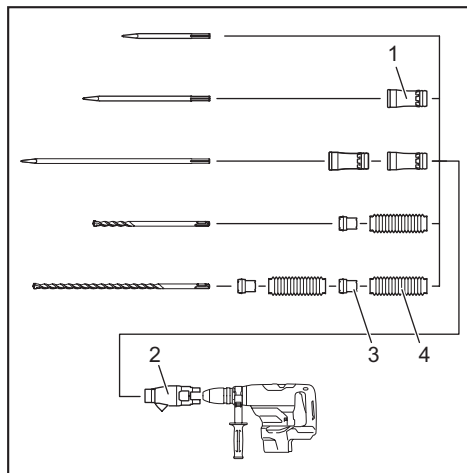
1. Afloje la empuñadura lateral en la herramienta.
2. Instale la cubierta contra polvo de manera que las partes salientes de la cubierta contra polvo encajen en las ranuras entre la herramienta y la empuñadura lateral.



► 1. Cubierta contra polvo 2. Parte saliente 3. Ranura

3. Apriete la empuñadura lateral firmemente.

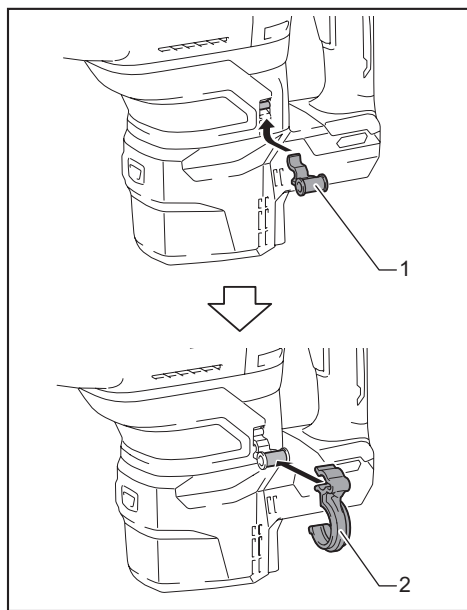
4. Instale el fuelle o extensión para la cubierta contra polvo adecuados para su trabajo. Cuando utilice un fuelle, instale la junta a su parte superior. Cuando apile dos fuelles, conéctelos con la junta.



► 1. Extensión para la cubierta contra polvo
2. Cubierta contra polvo 3. Junta 4. Fuelle

Conexión de la herramienta a la aspiradora

1. Coloque la junta del sujetador en la herramienta y luego coloque el sujetador de la manguera en la junta del sujetador.



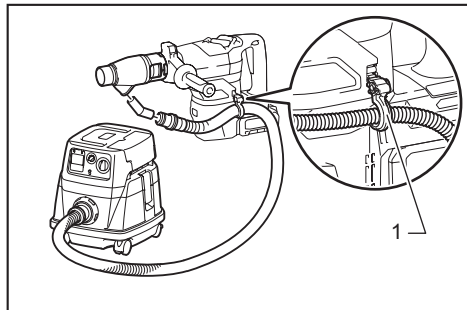
► 1. Junta del sujetador 2. Sujetador de la manguera

NOTA: La junta para manguera se puede colocar en cualquiera de los lados de la herramienta.

⚠ ADVERTENCIA: Utilice la pieza de instalación de la herramienta solamente para colocar la junta del sujetador.

Utilizar la pieza de instalación para cualquier otro propósito podría ocasionar un accidente inesperado.

2. Fije la manguera en el sujetador de la manguera.

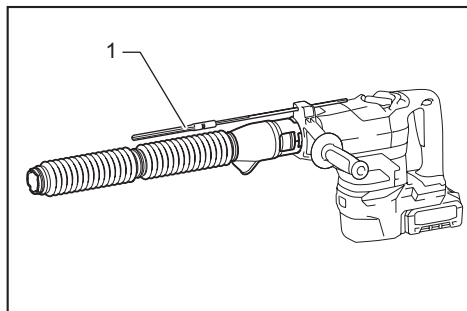


1. Sujetador de la manguera

NOTA: Utilice una junta 25 para conectar la manguera y la cubierta contra polvo si es necesario.

Uso del calibrador de profundidad para operaciones de perforación

Cuando apile dos fuelles, conecte la extensión del calibrador de profundidad al calibrador de profundidad.



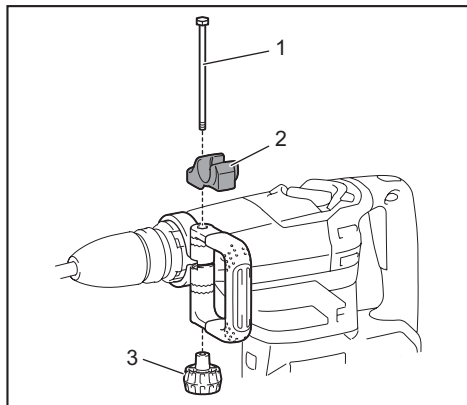
1. Extensión del calibrador de profundidad

Accesorio del extractor de polvo (únicamente para percusión)

Accesorio opcional

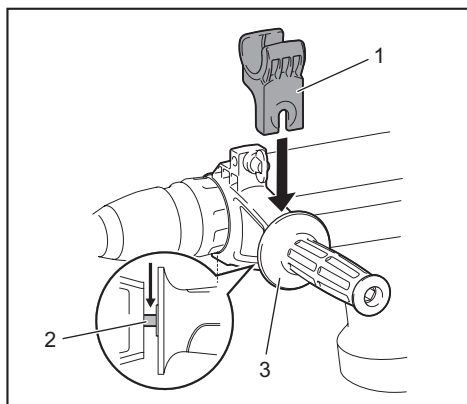
1. Instale el sujetador de la manguera (A/B).

Cuando el mango lateral esté instalado en la herramienta, afloje la tuerca de fijación y luego extraiga el perno de cabeza hexagonal. Instale el sujetador de la manguera (A) entre el perno de cabeza hexagonal y la tuerca de fijación apretando la tuerca de fijación firmemente.



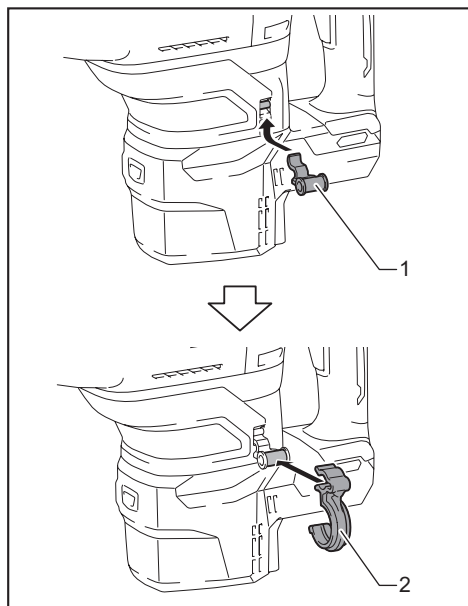
1. Perno de cabeza hexagonal 2. Sujetador de la manguera (A) 3. Tuerca de fijación

Cuando la empuñadura lateral esté instalada en la herramienta, afloje la empuñadura lateral, instale el sujetador de la manguera (B) en el eje y luego apriete la empuñadura lateral firmemente.



1. Sujetador de la manguera (B) 2. Eje 3. Empuñadura lateral

2. Coloque la junta del sujetador en la herramienta y luego coloque el sujetador de la manguera (C) en la junta del sujetador.



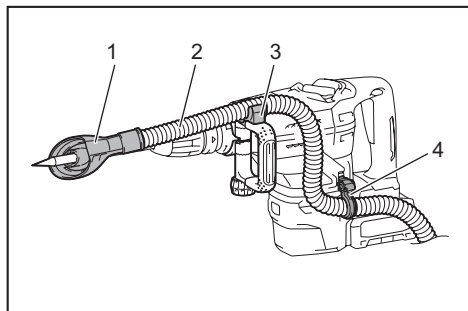
- 1. Junta del sujetador 2. Sujetador de la manguera (C)

NOTA: La junta para manguera se puede colocar en cualquiera de los lados de la herramienta.

⚠ADVERTENCIA: Utilice la pieza de instalación de la herramienta solamente para colocar la junta del sujetador.

Utilizar la pieza de instalación para cualquier otro propósito podría ocasionar un accidente inesperado.

3. Instale la cubierta contra polvo y la manguera en la herramienta y luego fije la manguera a los sujetadores de la manguera.

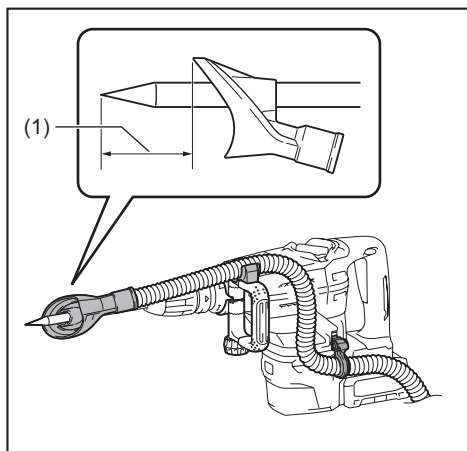


- 1. Cubierta contra el polvo 2. Manguera
3. Sujetador de la manguera (A/B) 4. Sujetador de la manguera (C)

4. Conecte la manguera a la manguera de la aspiradora con la junta de la manguera.

NOTA: Si la manguera no viene incluida, conecte la cubierta contra polvo a la manguera de la aspiradora o a la manguera $\varnothing 28$ Makita.

5. Ajuste la distancia entre la cubierta contra polvo y la punta del cincel o cincel de punta. La distancia recomendada es de 30 mm (1-3/16") a 100 mm (3-15/16").



- (1) 30 mm (1-3/16") a 100 mm (3-15/16")

OPERACIÓN

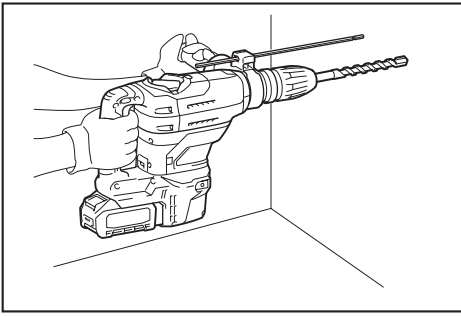
⚠PRECAUCIÓN: Utilice siempre el mango lateral/empuñadura lateral (mango auxiliar) y sujete firmemente la herramienta tanto del mango lateral/empuñadura lateral y como del mango del interruptor durante las operaciones.

⚠PRECAUCIÓN: Asegúrese siempre de que la pieza de trabajo quede asegurada antes de la operación. No asegurar adecuadamente la pieza de trabajo podría ocasionar que esta se mueva, y resultar en una lesión.

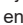
⚠PRECAUCIÓN: No jale hacia afuera la herramienta con demasiada fuerza aun si la punta se atora. La pérdida de control podría causar lesiones.

⚠PRECAUCIÓN: No deje la herramienta clavada en la pieza de trabajo. De lo contrario, la herramienta podría ponerse en marcha accidentalmente y ocasionar una lesión.

NOTA: Si el cartucho de batería se encuentra a baja temperatura, la herramienta podría no alcanzar su máxima capacidad. En este caso, caliente el cartucho de batería usando la herramienta sin carga durante un rato a fin de lograr que la herramienta alcance su máxima capacidad.

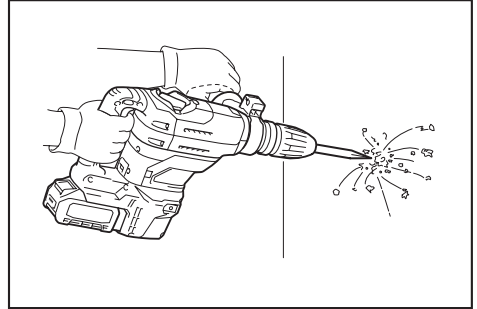


Cincelado/desincrustación/ demolición

Ajuste la perilla de cambio de modo de accionamiento en el símbolo .


Sujete la herramienta firmemente con ambas manos. Encienda la herramienta y aplique una ligera presión sobre ella de manera que no rebote de forma descontrolada.

Aplique mucha presión sobre la herramienta no incrementará la eficiencia.



Operación de taladrado con percusión

⚠PRECAUCIÓN: En el momento de comenzar a penetrar, cuando se obstruye el orificio con virutas y partículas, o cuando se topa contra varillas de refuerzo de concreto, se ejerce una tremenda y repentina fuerza de torsión sobre la herramienta/broca. **Utilice siempre la empuñadura lateral (mango auxiliar) y sujete firmemente la herramienta tanto de la empuñadura lateral como del mango del interruptor durante las operaciones.** El no hacerlo puede provocar la pérdida de control de la herramienta y potencialmente ocasionar lesiones graves.

Ajuste la perilla de cambio de modo de accionamiento en el símbolo .

Coloque la broca donde desee hacer el agujero y luego jale el gatillo interruptor. No fuerce la herramienta. Los mejores resultados se obtienen con una ligera presión. Mantenga la herramienta en posición y evite que se deslice y se salga del agujero.

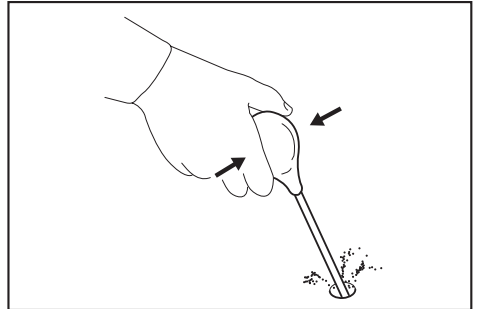
No aplique más presión cuando el agujero se obstruya con astillas o partículas. En vez de esto, haga funcionar la herramienta sin presión y luego retire parcialmente la broca del agujero. Repitiendo esto varias veces, el agujero se limpiará y se podrá reanudar el taladrado de manera normal.

NOTA: Es posible que se produzca excentricidad en la rotación de la broca al operar la herramienta sin carga. La herramienta se centrará automáticamente durante la operación. Esto no afectará la precisión en el taladrado.

Soplador

Accesorio opcional

Después de perforar el agujero, utilice el soplador para limpiar el polvo del agujero.

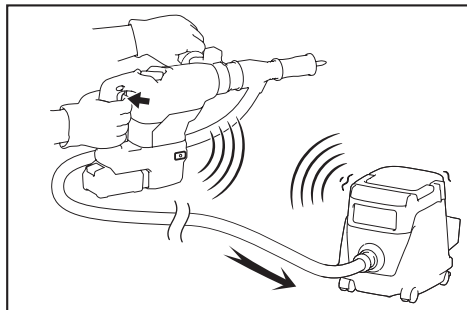


FUNCIÓN DE ACTIVACIÓN INALÁMBRICA

Accesorio opcional

Lo que puede hacer con la función de activación inalámbrica

La función de activación inalámbrica permite una operación limpia y cómoda. Si conecta a la herramienta una aspiradora compatible, podrá hacer que ésta funcione automáticamente al activar el interruptor de la herramienta.



Para hacer uso de la función de activación inalámbrica, tenga preparado lo siguiente:

- Una unidad inalámbrica (accesorios opcionales)
- Una aspiradora compatible con la función de activación inalámbrica

A continuación se presenta la descripción general del ajuste de la función de activación inalámbrica. Consulte cada sección para ver los procedimientos a detalle.

1. Instalación de la unidad inalámbrica
2. Registro de la herramienta para la aspiradora
3. Inicio de la función de activación inalámbrica

Instalación de la unidad inalámbrica

Accesorio opcional

PRECAUCIÓN: Coloque la herramienta sobre una superficie plana y estable cuando vaya a instalar la unidad inalámbrica.

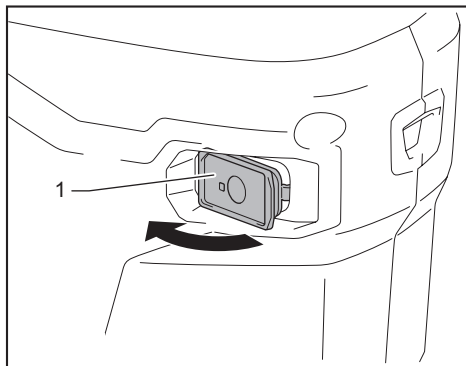
AVISO: Limpie el polvo y la suciedad en la herramienta antes de instalar la unidad inalámbrica.

El polvo o la suciedad podrían causar una avería si llegan a introducirse en la ranura de la unidad inalámbrica.

AVISO: Para evitar una avería a causa de la electricidad estática, toque un material de descarga de electricidad estática, tal como una pieza metálica de la herramienta antes de levantar la unidad inalámbrica.

AVISO: Cuando vaya a instalar la unidad inalámbrica, asegúrese siempre de que ésta sea insertada en la dirección correcta y que la tapa esté completamente cerrada.

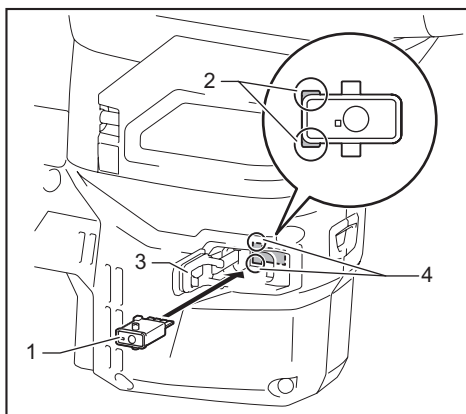
1. Abra la tapa en la herramienta tal como se muestra en la ilustración.



- 1. Tapa

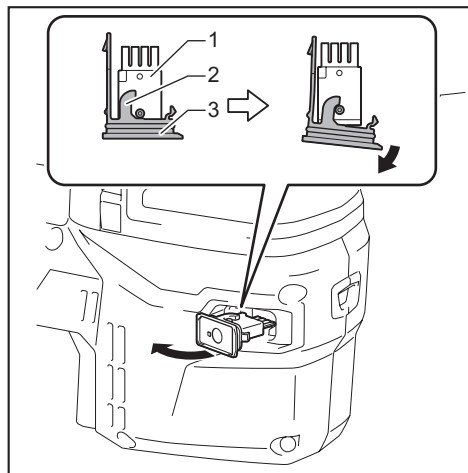
2. Inserte la unidad inalámbrica en la ranura y luego cierre la tapa.

Cuando inserte la unidad inalámbrica, alinee las partes salientes con las partes cóncavas en la ranura.



- 1. Unidad inalámbrica 2. Parte saliente 3. Tapa 4. Parte cóncava

Cuando extraiga la unidad inalámbrica, abra la tapa lentamente. Los ganchos en la parte posterior de la tapa levantarán la unidad inalámbrica mientras usted jala hacia arriba la tapa.



► 1. Unidad inalámbrica 2. Gancho 3. Tapa

Una vez extraída la unidad inalámbrica, guárdela en el estuche suministrado o en un contenedor libre de electricidad estática.

AVISO: Use siempre los ganchos en la parte posterior de la tapa cuando extraiga la unidad inalámbrica. Si los ganchos no sujetan la unidad inalámbrica, cierre la tapa por completo y vuelva a abrirla lentamente.

Registro de la herramienta para la aspiradora

NOTA: Para el registro de la herramienta, se requiere una aspiradora Makita compatible con la función de activación inalámbrica.

NOTA: Termine de instalar la unidad inalámbrica en la herramienta antes de comenzar con el registro de la herramienta.

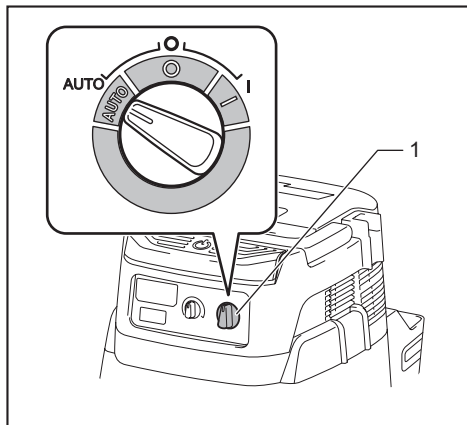
NOTA: Durante el registro de la herramienta, no jale el gatillo interruptor ni active el interruptor de encendido en la aspiradora.

NOTA: Consulte también el manual de instrucciones de la aspiradora.

Si desea activar la aspiradora junto con el interruptor de la herramienta, termine antes con el registro de la herramienta.

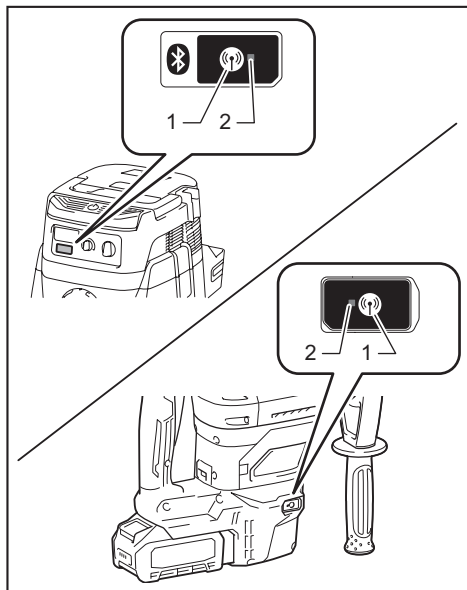
1. Instale las baterías en la aspiradora y en la herramienta.

2. Ajuste el interruptor de modo en espera en la aspiradora en "AUTO".



► 1. Interruptor de modo en espera

3. Oprima el botón de activación inalámbrica en la aspiradora durante 3 segundos hasta que la luz indicadora de activación inalámbrica parpadee en verde. Y luego oprima el botón de activación inalámbrica en la herramienta de la misma manera.



► 1. Botón de activación inalámbrica 2. Luz indicadora de activación inalámbrica

Si la aspiradora y la herramienta han sido conectadas exitosamente, las luces indicadoras de activación inalámbrica se encenderán en verde durante 2 segundos y comenzarán a parpadear en azul.

NOTA: Las luces indicadoras de activación inalámbrica terminarán parpadeando en verde después de un lapso de 20 segundos. Oprima el botón de activación inalámbrica en la herramienta mientras la luz indicadora de activación inalámbrica en la aspiradora esté parpadeando. Si la luz indicadora de activación inalámbrica no parpadea en verde, oprima el botón de activación inalámbrica durante un lapso breve y vuelva a mantenerlo oprimido.

NOTA: Cuando realice dos o más registros de la herramienta para una aspiradora, termine el registro de la herramienta de uno en uno.

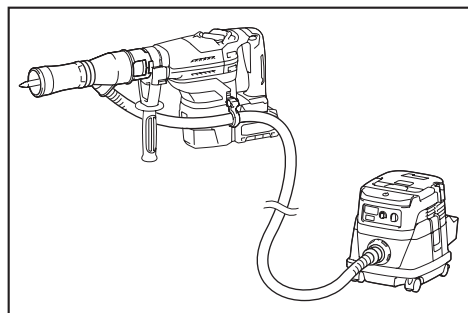
Inicio de la función de activación inalámbrica

NOTA: Termine con el registro de la herramienta para la aspiradora antes de la activación inalámbrica.

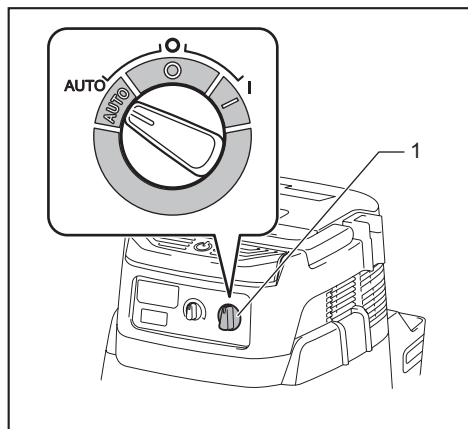
NOTA: Consulte también el manual de instrucciones de la aspiradora.

Después de registrar una herramienta en la aspiradora, esta última se activará automáticamente junto con el interruptor de la herramienta.

1. Instale la unidad inalámbrica en la herramienta.
2. Conecte la manguera de la aspiradora a la herramienta.

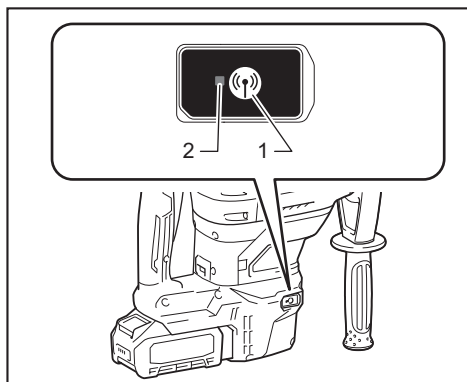


3. Ajuste el interruptor de modo en espera en la aspiradora en "AUTO".



1. Interruptor de modo en espera

4. Oprima el botón de activación inalámbrica en la herramienta durante un lapso breve. La luz indicadora de activación inalámbrica parpadeará en azul.



1. Botón de activación inalámbrica 2. Luz indicadora de activación inalámbrica

5. Jale el gatillo interruptor de la herramienta. Verifique que la aspiradora funcione mientras jala el gatillo interruptor.

Para detener la activación inalámbrica de la aspiradora, oprima el botón de activación inalámbrica en la herramienta.

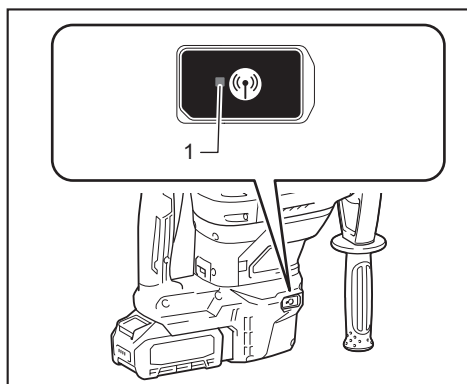
NOTA: La luz indicadora de activación inalámbrica en la herramienta dejará de parpadear en azul cuando no haya operación durante 2 horas. En este caso, ajuste el interruptor de modo en espera en la aspiradora en "AUTO" y oprima el botón de activación inalámbrica en la herramienta nuevamente.

NOTA: La aspiradora funcionará/detendrá con un retraso. Existirá un desfase cuando la aspiradora detecte la activación del interruptor de la herramienta.

NOTA: La distancia de transmisión de la unidad inalámbrica podrá variar en función del lugar y las circunstancias de los alrededores.

NOTA: Cuando dos o más herramientas estén registradas en una aspiradora, esta última podrá comenzar a funcionar incluso si usted no jala el gatillo interruptor debido a que otro usuario está utilizando la función de activación inalámbrica.

Descripción del estado de la luz indicadora de activación inalámbrica



► 1. Luz indicadora de activación inalámbrica

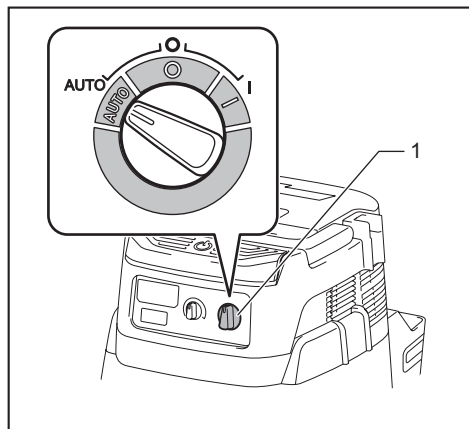
La luz indicadora de activación inalámbrica muestra el estado de la función de activación inalámbrica. Consulte la tabla a continuación para ver qué significa el estado de la luz indicadora.

Estado	Luz indicadora de activación inalámbrica				Descripción
	Color	■ Encendida	▣ Parpadeando	Duración	
En espera	Azul	▣	2 horas	La activación inalámbrica de la aspiradora está disponible. La luz se apagará automáticamente cuando no se realice ninguna operación durante 2 horas.	
		■	Cuando la herramienta está funcionando.	La activación inalámbrica de la aspiradora está disponible y la herramienta está funcionando.	
Registro de la herramienta	Verde	▣	20 segundos	Ya se puede realizar el registro de la herramienta. Esperando el registro por parte de la aspiradora.	
		■	2 segundos	El registro de la herramienta ha terminado. La luz indicadora de activación inalámbrica comenzará a parpadear en azul.	
Cancelación del registro de la herramienta	Rojo	▣	20 segundos	Ya se puede cancelar el registro de la herramienta. Esperando la cancelación por parte de la aspiradora.	
		■	2 segundos	La cancelación del registro de la herramienta ha terminado. La luz indicadora de activación inalámbrica comenzará a parpadear en azul.	
Otros	Rojo	■	3 segundos	La energía es suministrada a la unidad inalámbrica y la función de activación inalámbrica está arrancando.	
	Apagada	-	-	La activación inalámbrica de la aspiradora se ha detenido.	

Cancelación del registro de la herramienta para la aspiradora

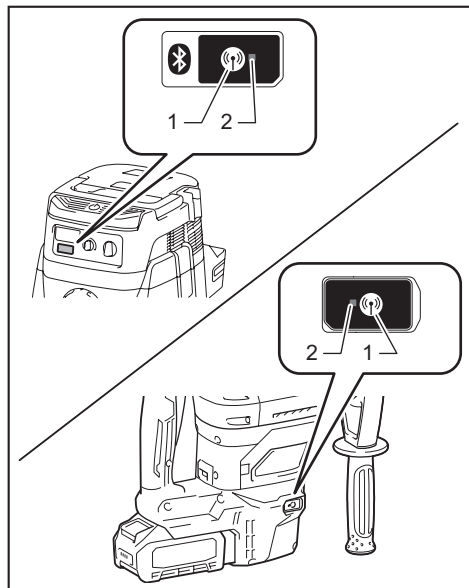
Realice el siguiente procedimiento para cancelar el registro de la herramienta para la aspiradora.

1. Instale las baterías en la aspiradora y en la herramienta.
2. Ajuste el interruptor de modo en espera en la aspiradora en "AUTO".



- 1. Interruptor de modo en espera

3. Oprima el botón de activación inalámbrica en la aspiradora durante 6 segundos. La luz indicadora de activación inalámbrica parpadeará en verde y luego se pondrá en rojo. Después de eso, oprima el botón de activación inalámbrica en la herramienta de la misma manera.



- 1. Botón de activación inalámbrica 2. Luz indicadora de activación inalámbrica

Si la cancelación se realiza exitosamente, las luces indicadoras de activación inalámbrica se encenderán en rojo durante 2 segundos y comenzarán a parpadear en azul.

NOTA: Las luces indicadoras de activación inalámbrica terminarán parpadearo en rojo después de un lapso de 20 segundos. Oprima el botón de activación inalámbrica en la herramienta mientras la luz indicadora de activación inalámbrica en la aspiradora esté parpadearo. Si la luz indicadora de activación inalámbrica no parpadea en rojo, oprima el botón de activación inalámbrica durante un lapso breve y vuelva a mantenerlo oprimido.

DetECCIÓN Y SOLUCIÓN DE PROBLEMAS PARA LA FUNCIÓN DE ACTIVACIÓN INALÁMBRICA

Antes de solicitar alguna reparación, primero realice una inspección por su cuenta. Si detecta algún problema que no esté explicado en el manual, no intente desensamblar la herramienta. En vez de esto, solicite la reparación a un centro de servicio autorizado de Makita, usando siempre piezas de repuesto Makita.

Estado de la anomalía	Causa probable (avería)	Remedio
La luz indicadora de activación inalámbrica no enciende/parpadea.	La unidad inalámbrica no está instalada en la herramienta. La unidad inalámbrica está instalada incorrectamente en la herramienta.	Instale la unidad inalámbrica correctamente.
	La terminal de la unidad inalámbrica y/o la ranura está sucia.	Retire con cuidado el polvo y la suciedad en la terminal de la unidad inalámbrica y limpie la ranura.
	El botón de activación inalámbrica en la herramienta no se ha oprimido.	Oprima el botón de activación inalámbrica en la herramienta durante un lapso breve.
	El interruptor de modo en espera en la aspiradora no está ajustado en "AUTO".	Ajuste el interruptor de modo en espera en la aspiradora en "AUTO".
	No hay suministro de energía.	Suministre energía a la herramienta y a la aspiradora.
No se puede terminar/cancelar el registro de la herramienta exitosamente.	La unidad inalámbrica no está instalada en la herramienta. La unidad inalámbrica está instalada incorrectamente en la herramienta.	Instale la unidad inalámbrica correctamente.
	La terminal de la unidad inalámbrica y/o la ranura está sucia.	Retire con cuidado el polvo y la suciedad en la terminal de la unidad inalámbrica y limpie la ranura.
	El interruptor de modo en espera en la aspiradora no está ajustado en "AUTO".	Ajuste el interruptor de modo en espera en la aspiradora en "AUTO".
	No hay suministro de energía.	Suministre energía a la herramienta y a la aspiradora.
	Operación incorrecta	Oprima el botón de activación inalámbrica durante un lapso breve y realice los procedimientos de registro/cancelación de la herramienta nuevamente.
	La herramienta y la aspiradora están lejos una de la otra (fuera del rango de transmisión).	Acerque más la herramienta a la aspiradora. La distancia máxima de transmisión es de aproximadamente 10 m, pero puede variar en función de las circunstancias.
	Antes de terminar el registro/cancelación de la herramienta; - el gatillo interruptor en la herramienta se ha jalado; o - el botón de encendido en la aspiradora está activado.	Oprima el botón de activación inalámbrica durante un lapso breve y realice los procedimientos de registro/cancelación de la herramienta nuevamente.
	Los procedimientos de registro para la herramienta o aspiradora no se han terminado.	Realice los procedimientos de registro tanto para la herramienta como para la aspiradora al mismo tiempo.
La perturbación radioeléctrica generada por otros aparatos que emiten ondas de radio de alta intensidad.	Mantenga la herramienta y la aspiradora lejos de aparatos tales como dispositivos Wi-Fi y hornos de microondas.	

Estado de la anomalía	Causa probable (avería)	Remedio
La aspiradora no funciona junto con el interruptor de la herramienta.	La unidad inalámbrica no está instalada en la herramienta. La unidad inalámbrica está instalada incorrectamente en la herramienta.	Instale la unidad inalámbrica correctamente.
	La terminal de la unidad inalámbrica y/o la ranura está sucia.	Retire con cuidado el polvo y la suciedad en la terminal de la unidad inalámbrica y limpie la ranura.
	El botón de activación inalámbrica en la herramienta no se ha oprimido.	Oprima el botón de activación inalámbrica durante un lapso breve y asegúrese de que la luz indicadora de activación inalámbrica esté parpadeando en azul.
	El interruptor de modo en espera en la aspiradora no está ajustado en "AUTO".	Ajuste el interruptor de modo en espera en la aspiradora en "AUTO".
	Más de 10 herramientas están registradas en la aspiradora.	Vuelva a realizar el registro de la herramienta. Si más de 10 herramientas están registradas en la aspiradora, la herramienta registrada al principio se cancelará automáticamente.
	La aspiradora borró todos los registros de la herramienta.	Vuelva a realizar el registro de la herramienta.
	No hay suministro de energía.	Suministre energía a la herramienta y a la aspiradora.
	La herramienta y la aspiradora están lejos una de la otra (fuera del rango de transmisión).	Acerque más la herramienta a la aspiradora. La distancia máxima de transmisión es de aproximadamente 10 m, pero puede variar en función de las circunstancias.
	La perturbación radioeléctrica generada por otros aparatos que emiten ondas de radio de alta intensidad.	Mantenga la herramienta y la aspiradora lejos de aparatos tales como dispositivos Wi-Fi y hornos de microondas.
La aspiradora funciona aun cuando el gatillo interruptor de la herramienta no ha sido jalado.	Otros usuarios están usando la activación inalámbrica de la aspiradora con sus herramientas.	Apague el botón de activación inalámbrica de las demás herramientas o cancele el registro de dichas herramientas.

MANTENIMIENTO

⚠PRECAUCIÓN: Asegúrese siempre de que la herramienta esté apagada y el cartucho de batería extraído antes de intentar realizar una inspección o mantenimiento.

AVISO: Nunca use gasolina, bencina, diluyente (tiner), alcohol o sustancias similares. Puede que esto ocasione grietas o descoloramiento.

Para mantener la SEGURIDAD y FIABILIDAD del producto, las reparaciones, y cualquier otra tarea de mantenimiento o ajuste deberán ser realizadas en centros de servicio autorizados o de fábrica Makita, empleando siempre repuestos Makita.

ACCESORIOS OPCIONALES

⚠PRECAUCIÓN: Estos accesorios o aditamentos están recomendados para utilizarse con su herramienta Makita especificada en este manual. El empleo de cualquier otro accesorio o aditamento puede conllevar el riesgo de lesiones personales. Utilice los accesorios o aditamentos solamente para su fin establecido.

Si necesita cualquier ayuda para más detalles en relación con estos accesorios, pregunte a su centro de servicio local Makita.

- Brocas con puntas de carburo SDS-MAX
- Cíncel de punta SDS-MAX
- Cíncel plano SDS-MAX
- Cíncel de desincrustación SDS-MAX
- Pala de arcilla SDS-MAX
- Grasa para puntas
- Mango lateral
- Empuñadura lateral
- Calibrador de profundidad
- Soplador
- Accesorio del extractor de polvo
- Gafas de seguridad
- Unidad inalámbrica
- Batería y cargador originales de Makita
- Maletín de transporte de plástico

NOTA: Algunos de los artículos en la lista pueden incluirse en el paquete de la herramienta como accesorios estándar. Éstos pueden variar de país a país.

GARANTÍA LIMITADA DE MAKITA

Ésta Garantía no aplica para México

Consulte la hoja de la garantía anexa para ver los términos más vigentes de la garantía aplicable a este producto. En caso de no disponer de esta hoja de garantía anexa, consulte los detalles sobre la garantía descritos en el sitio web de su país respectivo indicado a continuación.

Estados Unidos de América: www.makitatools.com

Canadá: www.makita.ca

Otros países: www.makita.com

< USA only >

WARNING

Some dust created by power sanding, sawing, grinding, drilling, and other construction activities contains chemicals known to the State of California to cause cancer, birth defects or other reproductive harm. Some examples of these chemicals are:

- lead from lead-based paints,
- crystalline silica from bricks and cement and other masonry products, and
- arsenic and chromium from chemically-treated lumber.

Your risk from these exposures varies, depending on how often you do this type of work. To reduce your exposure to these chemicals: work in a well ventilated area, and work with approved safety equipment, such as those dust masks that are specially designed to filter out microscopic particles.

< Sólo en los Estados Unidos >

ADVERTENCIA

Algunos polvos creados por el lijado, aserrado, esmerilado, taladrado y otras actividades de la construcción contienen sustancias químicas reconocidas por el Estado de California como causantes de cáncer, defectos de nacimiento y otros peligros de reproducción. Algunos ejemplos de estos productos químicos son:

- plomo de pinturas a base de plomo,
- sílice cristalino de ladrillos y cemento y otros productos de albañilería, y
- arsénico y cromo de maderas tratadas químicamente.

El riesgo al que se expone varía, dependiendo de la frecuencia con la que realice este tipo de trabajo. Para reducir la exposición a estos productos químicos: trabaje en un área bien ventilada y póngase el equipo de seguridad indicado, tal como las máscaras contra polvo que están especialmente diseñadas para filtrar partículas microscópicas.

Makita Corporation

3-11-8, Sumiyoshi-cho,
Anjo, Aichi 446-8502 Japan

www.makita.com

885831-943
GRH05-1
EN, ESMX
20201009