

**NEVER LEAVE THE HEATER UNATTENDED WHILE BURNING!**

## OPERATING INSTRUCTIONS AND OWNER'S MANUAL

**READ INSTRUCTIONS CAREFULLY:** Read and follow all instructions. Place instructions in a safe place for future reference. Do not allow anyone who has not read these instructions to assemble, light, adjust or operate the heater.

**HEATSTAR**

MODEL

HS35LP



### **GAS-FIRED INFRARED PORTABLE CONSTRUCTION HEATER**

DO NOT LEAVE HEATER UNATTENDED OR IN OPERATION WHILE SLEEPING

CYLINDER NOT INCLUDED



#### **GENERAL HAZARD WARNING:**

FAILURE TO COMPLY WITH THE PRECAUTIONS AND INSTRUCTIONS PROVIDED WITH THIS HEATER CAN RESULT IN DEATH, SERIOUS BODILY INJURY AND PROPERTY LOSS OR DAMAGE FROM HAZARDS OF FIRE, EXPLOSION, BURN, ASPHYXIATION, CARBON MONOXIDE POISONING, AND/OR ELECTRICAL SHOCK.

ONLY PERSONS WHO CAN UNDERSTAND AND FOLLOW THE INSTRUCTIONS SHOULD USE OR SERVICE THIS HEATER.

IF YOU NEED ASSISTANCE OR HEATER INFORMATION SUCH AS INSTRUCTION MANUALS, LABELS, ETC., CONTACT THE MANUFACTURER.



#### **WARNING:**

FIRE, BURN, INHALATION AND EXPLOSION HAZARD. KEEP SOLID COMBUSTIBLES SUCH AS BUILDING MATERIALS, PAPER OR CARDBOARD A SAFE DISTANCE AWAY FROM THE HEATER AS RECOMMENDED BY THE INSTRUCTIONS. NEVER USE THE HEATER IN SPACES WHICH DO OR MAY CONTAIN VOLATILE OR AIRBORNE COMBUSTIBLES OR PRODUCTS SUCH AS GASOLINE, SOLVENTS, PAINT THINNER, DUST PARTICLES OR UNKNOWN CHEMICALS.




**WARNING:** NOT FOR HOME OR RECREATIONAL VEHICLE USE

**SPECIFICATIONS**

MODEL NO..... HS35LP  
 GAS TYPE ..... LP-Gas  
 MAX. INLET  
 PRESSURE ..... 27.5" W.C.  
 MIN. INLET  
 PRESSURE ..... 27.5" W.C.  
 MANIFOLD  
 PRESSURE ..... 25.5" W.C.

Do not exceed the gas supply pressures shown on rating plate for Model HS35LP. The maximum inlet gas supply pressure and the minimum inlet gas supply pressure (for purposes of input adjustment) for LP-Gas are shown as follows:

 **WARNING**  
 DO NOT EXCEED 27.5" W.C. (1 psi) INLET PRESSURE TO HEATER.

**VENTILATION**

 **WARNING**  
 THIS APPLIANCE IS UNVENTED AND MUST BE USED ONLY IN A WELL VENTILATED AREA.

The flow of combustion and ventilation air must not be obstructed. DO NOT use in a tightly enclosed area. Any combustion process requires and consumes oxygen, and may produce carbon monoxide. This heater must be operated with adequate ventilation. Two openings directly to the outdoors must be provided, one low and one high, preferably on opposite sides of the area to be heated. Each of these openings must provide at least three square inches of combustion air-intake area and exhaust outlet area for every 1000 BTUs per hour of heater input rate in order to complete the combustion/ventilation process. Provide additional ventilation for any additional fuel-burning appliances and/or additional occupants.


**CLEARANCE (Minimum clearances to combustibles)**

MODEL NO.	BTU/HR RATING TYPE GAS		NORMAL OPERATING POSITION	CLEARANCES TO COMBUSTIBLES			
	NATURAL	LP & NG		TOP	SIDES	BACK	FRONT
HS35LP		35,000*	VERTICAL	40"	40"	0"	54"

\*Tank size and tank temperature can directly affect BTU output

**CONTENTS**

Installation Instructions ..... 3  
 Location ..... 3  
 Piping ..... 3  
 Operating Instructions ..... 4  
 Lighting and Shut Down ..... 4  
 Maintenance Instructions ..... 5  
 Replacement Parts List ..... 6  
 Service and Parts Ordering Information ..... 8


 **FOR YOUR SAFETY**  
 Do not use this heater in a space where gasoline or other liquids having flammable vapors are stored or used.


The heater is designed and approved for use as a construction heater under ANSI Z83.7 / CGA 2.14

We cannot anticipate every use which may be made of our heaters. CHECK WITH YOUR LOCAL FIRE SAFETY AUTHORITY IF YOU HAVE QUESTIONS ABOUT APPLICATIONS.

Other standards govern the use of fuel gases and heat producing products in specific applications. Your local authority can advise you about these.

This appliance is intended to be used primarily for the heating of buildings under construction, alteration or repair.

 **WARNING:** Fuels used in liquefied propane gas appliances, and the products of combustion of such fuel, can expose you to chemicals including benzene, which is known to the state of California to cause cancer and cause birth defects or other reproductive harm, for more information go to [www.P65Warnings.ca.gov](http://www.P65Warnings.ca.gov)

 **WARNING:** THIS PRODUCT CAN EXPOSE YOU TO CHEMICALS INCLUDING LEAD AND LEAD COMPOUNDS, WHICH ARE KNOWN TO THE STATE OF CALIFORNIA TO CAUSE CANCER AND BIRTH DEFECTS OR OTHER REPRODUCTIVE HARM. FOR MORE INFORMATION VISIT [WWW.P65WARNINGS.CA.GOV](http://WWW.P65WARNINGS.CA.GOV)

## GENERAL INFORMATION

- A. Your portable gas-fired infra-red heater comes fully assembled and is tested at the factory for proper gas and input as stated on the nameplate.
- B. Each heater is equipped with a 100% safety shutoff, push button valve which will automatically stop the flow of gas in the event the heater fails to operate for any reason. A tip over switch and an excess flow check are also standard on the model HS35LP.
- C. Before proceeding with this installation, be sure to inspect for damages. The freight company must be notified of any damages and request that an inspection be made. Enerco Technical Products will send replacements for damaged parts only after receiving a signed inspection report to prove the liability of the freight company.

## FOR SAFE OPERATION

- A. **READ THESE INSTRUCTIONS CAREFULLY. Read and adhere to these instructions. DO NOT allow anyone who has not read these instructions to assemble, light, adjust or operate this heater.**
- B. **LP-Gas IS HIGHLY FLAMMABLE.** In the event of a leak, LP-Gas will accumulate and the possibility of a fire is present. LP-Gas is scented and its strong odor is readily detectable. Never strike a match, bring any flame or create an electric spark in an enclosure when you smell LP-Gas. Ventilate the area thoroughly, move the heater outside, and correct the source of the leak before attempting to light any appliance.
- C. Always operate the heater with the LP-Gas cylinder in an upright position on a level non-combustible surface. **NEVER PLACE THE CYLINDER ON ITS SIDE WHEN OPERATING THE HEATER.**
- D. **DO NOT attempt to operate the heater with any gas other than that indicated on the heater nameplate.**

## ODOR FADE WARNING

### WARNING

#### Asphyxiation Hazard

- Do not use in unventilated areas.
- The flow of combustion and ventilation air must not be obstructed.
- Proper ventilation air must be provided to support the combustion air requirements of the heater being used.
- Refer to the specification section of the heater's manual, heater dataplate, or contact the factory to determine combustion air ventilation requirements of the heater.
- Lack of proper ventilation air will lead to improper combustion.
- Improper combustion can lead to carbon monoxide poisoning leading to serious injury or death. Symptom of carbon monoxide poisoning can include headaches, dizziness and difficulty in breathing.

## FUEL GAS ODOR

**LP gas and natural gas have man-made odorants added specifically for detection of fuel gas leaks. If a gas leak occurs you should be able to smell the fuel gas. Since Propane (LP) is heavier than air you should smell for the gas odor low to the floor. ANY GAS ODOR IS YOUR SIGNAL TO GO INTO IMMEDIATE ACTION!**

- Do not take any action that could ignite the fuel gas. Do not operate any electrical switches. Do not pull any power supply or extension cords. Do not light matches or any other source of flame. Do not use your telephone.
- Get everyone out of the building and away from the area immediately.
- Close all propane (LP) gas tank or cylinder fuel supply valves, or the main fuel supply valve located at the meter if you use natural gas.
- Propane (LP) gas is heavier than air and may settle in low areas. When you have reason to suspect a propane leak, keep out of all low areas.
- Use your neighbor's phone and call your fuel gas supplier and your fire department. Do not re-enter the building or area.
- Stay out of the building and away from the area until declared safe by the firefighters and your fuel gas supplier.
- **FINALLY**, let the fuel gas service person and the firefighters check for escaped gas. Have them air out the building and area before you return. Properly trained service people must repair any leaks, check for further leakages, and then relight the appliance for you.

## ODOR FADING - NO ODOR DETECTED

- Some people cannot smell well. Some people cannot smell the odor of the man-made chemical added to propane (LP) or natural gas. You must determine if you can smell the odorant in these fuel gases.
- Learn to recognize the odor of propane (LP) gas and natural gas. Local propane (LP) gas dealers will be more than happy to give you a scratch and sniff pamphlet. Use it to become familiar with the fuel gas odor.
- Smoking can decrease your ability to smell. Being around an odor for a period of time can affect your sensitivity to that particular odor. Odors present in animal confinement buildings can mask fuel gas odor.
- **The odorant in propane (LP) gas and natural gas is colorless and the intensity of its odor can fade under some circumstances.**
- If there is an underground leak, the movement of gas through the soil can filter the odorant.
- Propane (LP) gas odor may differ in intensity at different levels. Since Propane (LP) gas is heavier than air, there may be more odor at lower levels.
- **Always be sensitive to the slightest gas odor.** If you continue to detect any gas odor, no matter how small, treat it as a serious leak. Immediately go into action as discussed previously.

## ATTENTION - CRITICAL POINTS TO REMEMBER!

- Propane (LP) gas has a distinctive odor. Learn to recognize these odors. (Reference Fuel Gas Odor and Odor Fading sections above.
- Even If you are not properly trained in the service and repair of the heater, ALWAYS be consciously aware of the odors of propane (LP) gas and natural gas.
- If you have not been properly trained in repair and service of propane (LP) gas then do not attempt to light heater, perform service or repairs, or make any adjustments to the heater on the propane (LP) gas fuel system.
- A periodic sniff test around the heater or at the heater's joints; i.e. hose, connections, etc., is a good safety practice under any conditions. If you smell even a small amount of gas, CONTACT YOUR FUEL GAS SUPPLIER IMMEDIATELY. DO NOT WAIT!

## INSTALLATION INSTRUCTIONS

### GENERAL

For the U.S. and/or Canada, the installation of this appliance must comply with local and/or Provincial codes or, in the absence of these codes,

- With the (U.S.) National Fuel Gas Code, ANSI Z223.1 – Latest Edition, AND with the (U.S.) Standard for the Storage and Handling of Liquefied Petroleum Gases, ANSI/NFPA 58, OR
- With the current (Canadian) CAN/CGA B149.1 AND B149.2 INSTALLATION CODES.

This heater (including hose and regulator assembly) must be inspected before each use and at least annually by a qualified service person. If the hose for Model HS35LP shows evidence of excessive abrasion or wear, or if the hose is cut, it must be replaced prior to the heater being put into operation. The replacement hose assembly shall be that specified by the manufacturer. See the parts list.

The minimum ambient temperature rating for this heater is 20 degrees F.

This heater incorporates a "Tip Over" switch which automatically shuts off the burner in the event of tipping. Ensure that this switch is in the vertical position and is secured with the screws provided (see Fig. 2). **DO NOT operate this heater with the LP-gas supply cylinder in any other than the upright position.**

### LOCATION

Although this heater incorporates a "tip over" switch, the heater and LP-Gas supply cylinder must be located on a hard, flat, level surface to minimize the risk of accidental tipping. The LP Gas supply cylinder should be adequately restrained to prevent accidental tipping. **DO NOT OPERATE this heater with the supply cylinder in any other than the upright position.**

This appliance must be installed only in locations where the potential for physical damage to the appliance (i.e., due to physical contact) is reduced to a minimum.

The installer must inform the owner/operator of this appliance that precautions must be taken to protect the appliance from physical damage.

This appliance produces radiant heat. Therefore, it must be located at least six feet away from any LP-Gas container and must not be directed toward any LP-Gas container within 20 feet.

The heater must be installed in a location such that it will not be exposed directly to water spray, rain, and/or dripping water.

Use of this heater in a draft/windy area may decrease its efficiency. If possible, operate the unit in a draft free area or turn the face of the heater away from the draft.

### PIPING:

#### For Model HS35LP (for use with LP-Gas)

This model may be connected to a self-contained LP-Gas supply system using the hose and regulator assembly supplied with the appliance, OR, it may be connected to a permanently installed LP-Gas supply system.

If connected to a self-contained LP-Gas supply system, the hose assembly must be inspected prior to each use of the heater. If it is evident that there is excessive abrasion or wear, or the hose is cut, it must be replaced prior to the heater being put into operation.

If connected to a self-contained LP-Gas supply system, the cylinder must have no less than a minimum capacity of 20 pounds and no more than a maximum capacity of 100 pounds of LP-Gas. DO NOT connect this appliance to a cylinder having less than a nominal 20 pound capacity of LP-Gas. DO NOT connect this appliance to more than one (1) 100 pound cylinder.



### WARNING

NEVER USE A FORK LIFT TRUCK TYPE CYLINDER.

# NEVER LEAVE THE HEATER UNATTENDED WHILE BURNING!

The connection of Model HS35LP to an LP-Gas cylinder must be made in a well ventilated area using the regulator and hose assembly supplied with the appliance. DO NOT attempt to adjust this regulator. It has been preset at the factory to provide safe and proper operation of the appliance. Use a 7/8" open end wrench to connect the POL fitting (supplied with the LP regulator) to the LP-Gas cylinder. Turn the POL nut in a counter-clockwise direction (left hand thread) until tight. DO NOT use pipe compound on POL threads.

The heater must be located at least six feet away from any LP-Gas cylinder and must not be directed toward any LP-Gas cylinder within 20 feet. If more than one heater is used, they and the supply cylinders must be separated by at least 20 feet.

The gas supply must be turned off at the LP-Gas supply cylinder when the heater is not in use.

When the heater is to be stored indoors, the connection between the LP-Gas supply cylinder and the heater must be disconnected and the cylinder removed from the heater and stored in accordance with Chapter 5 of the Standard for the Storage and Handling of Liquefied Petroleum Gases, ANSI/NF-PA 58 (U.S.), OR CAN/CGA B149.2 (Canada).

If connected to a permanently installed LP Gas supply system, the system requires the use of a two-stage gas regulator assembly which is normally provided by your LP-Gas dealer as part of the LP-Gas supply system. Consult with your local LP-Gas dealer for details concerning proper equipment and installation.

Piping must be clean and free from scale or burr.

Before attempting to ignite the appliance, all gas fittings and connections must be thoroughly checked for gas leaks. Apply a small amount of a mild soap and water solution to all fittings and connections and observe for escaping bubbles. If any leaks are detected, shut off the gas supply to the appliance immediately. Wait a minimum of five minutes, repair the leak(s) and retest for leakage. Dry all fittings and connections after leak testing.



## WARNING

NEVER USE A FLAME FOR GAS LEAK TESTING.

## OPERATING INSTRUCTIONS



**WARNING:** IF YOU DO NOT FOLLOW THESE INSTRUCTION EXACTLY, A FIRE OR EXPLOSION MAY RESULT CAUSING PROPERTY DAMAGE, PERSONAL INJURY, OR LOSS OF LIFE.



## CAUTION

THIS APPLIANCE IS HOT DURING NORMAL OPERATION. AVOID PHYSICAL CONTACT.



## CAUTION

DO NOT PLACE CLOTHING OR OTHER COMBUSTIBLE MATERIALS ON THIS APPLIANCE.

**DO NOT operate this heater if any part has been under water. Call a qualified service technician to inspect the appliance and to replace any part of the control system or gas control valve which has been under water.**

This appliance must be installed and operated only in locations where the potential for physical damage to the appliance is reduced to a minimum. The owner/operator of this appliance must ensure that precautions are taken to protect the appliance from physical damage.

## LIGHTING AND SHUT-DOWN

### Lighting the Heater:

1. Before attempting to light the heater, smell all around the heater area for gas. Be sure to smell next to the floor because LP-Gas is heavier than air and will settle on the floor. Turn on the gas supply to the appliance and check all fittings and connections for gas leaks using a mild soap and water solution. NEVER use a match to check for gas leaks. Should a gas leak occur, shut off the gas supply to the appliance immediately. Wait a minimum of five minutes before repairing the leak.
2. Use only the fuel intended for this appliance. Check the appliance rating plate for the correct fuel information.
3. Turn off the main gas supply to the appliance. Wait five minutes.
4. Turn on the main gas supply.
5. Depress red spark ignition button repeatedly or with a lighted match held to the burner face, depress and hold the reset button on the safety valve. After the burner ignites, hold the reset button depressed for about one minute or until the burner stays lit when the reset button is released. **DO NOT light the gas at the burner orifice. DO NOT face heater when attempting to light. Always stand to the side of the unit when lighting.**

NOTE: In cases where long runs of gas supply lines have been installed ahead of the appliance, it may be necessary to bleed trapped air out of the supply lines before lighting the burner. New installations generally require bleeding of supply lines. Wait a minimum of five minutes after bleeding the supply lines before attempting to light the heater.

6. **IMPORTANT: DO NOT attempt to adjust the main burner input using the main gas supply valve,** for this may cause the thermocouple to shut down the burner.

**NEVER LEAVE THE HEATER UNATTENDED WHILE BURNING!**

THIS PAGE INTENTIONALLY LEFT BLANK  
ESTA PÁGINA INTENCIONALMENTE SE DEJA EN BLANCO  
CETTE PAGE A ÉTÉ INTENTIONNELLEMENT LAISSÉE VIERGE

### Shut-down instructions:

To turn the heater OFF:

1. Close the LP-Gas supply cylinder valve.
2. Observe the burner until flame is extinguished.
3. Listen for closure of the safety valve.
4. **IMPORTANT: DO NOT re-open the LP-Gas supply cylinder valve before the safety valve closes.**

### MAINTENANCE INSTRUCTIONS

This heater (including hose and regulator assembly) must be inspected before each use. If the hose for Model HS35LP shows evidence of excessive abrasion or wear, or if the hose is cut, it must be replaced prior to the heater being put into operation. The replacement hose assembly shall be that specified by the manufacturer. See the parts list.

The appliance area must be kept free and clear of combustible materials, gasoline and other flammable vapors and liquids at all times.

The flow of combustion and ventilation air must not be obstructed.

### Cleaning the heater:

Periodically, the heater must be cleaned of all dirt and dust particles.



### DANGER

DO NOT ATTEMPT TO CLEAN THE HEATER WHILE IT IS OPERATING OR WHILE IT IS STILL HOT.

- Turn the heater off and wait until it has completely cooled (at least 20 minutes) before cleaning.
- Clean the outside of the heater using a damp cloth. DO NOT clean the heater by spraying water on it. Wipe the outside of the heater off with a dry cloth after cleaning.
- Clean the inside of the heater using compressed air. Blow air back and forth along the entire burner face until all dust has been dislodged from the surface of the reverberator and grid screen. Blow through venturi from the control end of the heater.
- Clean the orifice of each burner with a #55 drill bit (for LP-Gas).
- Clean the thermocouple lead.

**DO NOT operate this heater if any part has been under water.** Call a qualified service person to inspect the appliance and to replace any part of the control system or gas control valve which has been under water.

This heater must be inspected at least annually by a qualified service person.

### TROUBLESHOOTING INFORMATION: (Model HS35LP)

If burner lights, but goes out when button is released.

#### CHECK

- Loose wires on tipover switch. (see Fig. 2)
- Loose lead wire and repair wires if necessary.
- Loose thermocouple and tighten if necessary. Make sure T/C is located correctly between the reverberator and grid.
- Defective thermocouple. Replace if necessary.
- Defective control. Replace if necessary.
- Defective tip over switch. Replace if necessary.

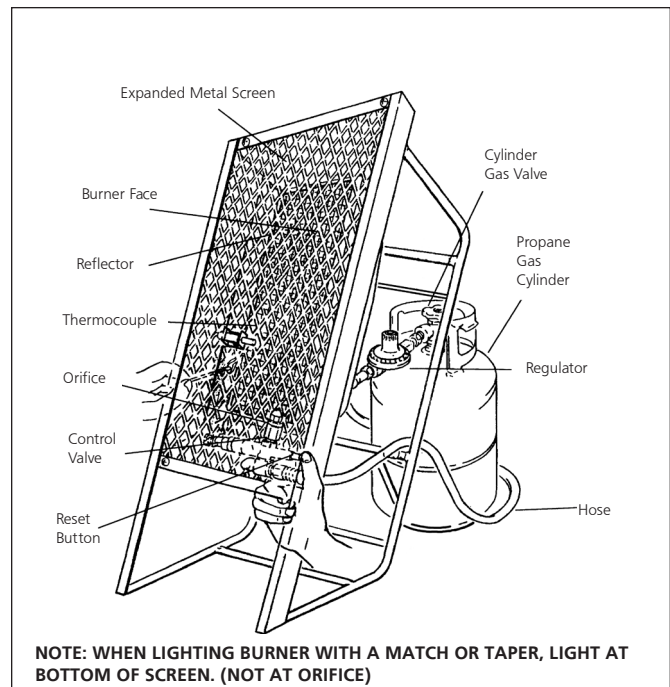


Figure 1

**Gas-Fired Infra-Red Portable Construction Heater • Model HS35LP**

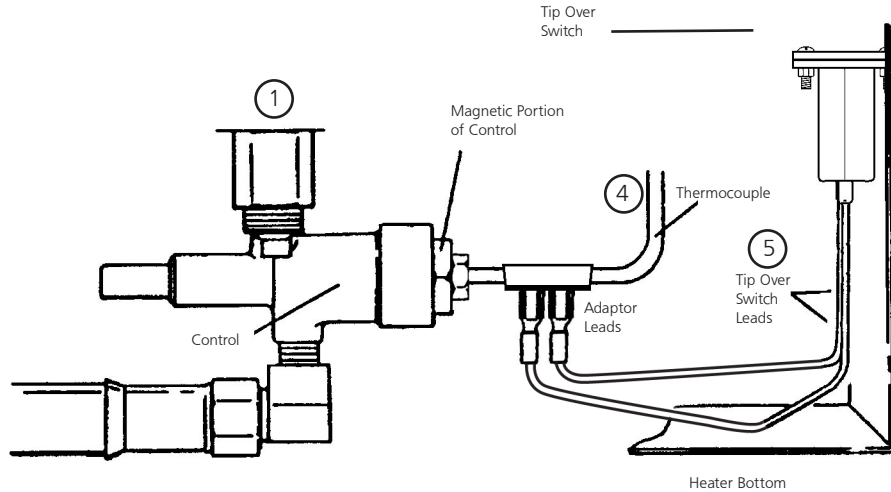


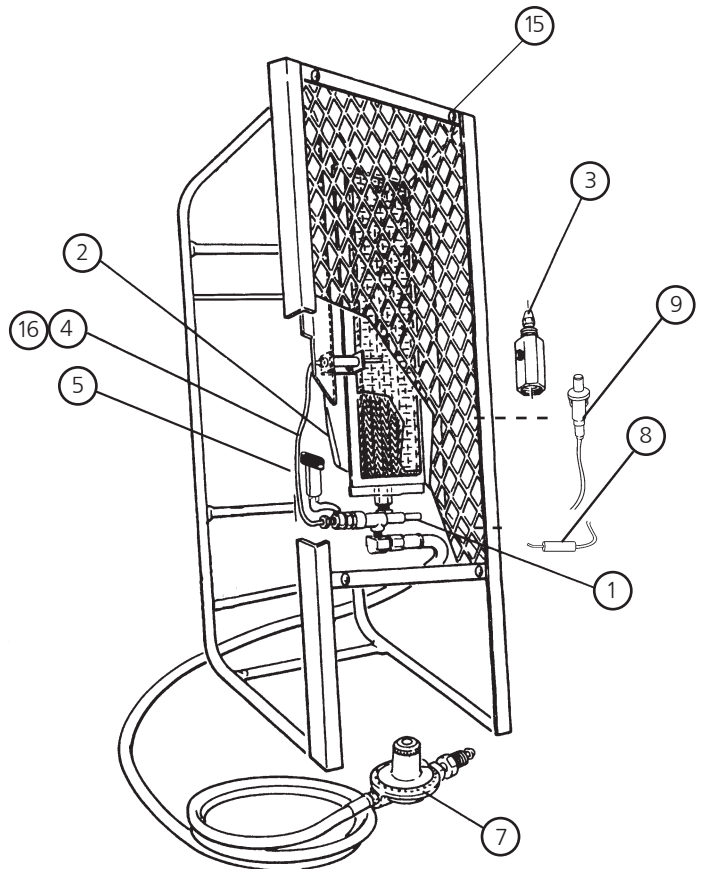
Figure 2

**Tip-Over Switch Arrangement**

NOTE: The purpose of the tip-over Switch is to stop the flow of gas when heater is accidentally knocked over. When and if the heater is knocked over, simply stand heater up.

**REPLACEMENT PARTS LIST**

REF. #.....	ITEM#	DESCRIPTION
1.....	23525.....	CONT M-N SS PORT 3/8MPXI/4MP
2.....	23526.....	BURNR/LTFR PORTABLES/D1096
3.....	23527.....	ORIFICE/BURNER #55 DRILL
4.....	21920.....	THERMOCOUPLE ASSY/18"
5.....	42116.....	TIP-OVER SWITCH 6" LEAD(PORT)
7.....	07133.....	HOSE, ASSY, 12', W/REG.(LP)
8.....	23531.....	IGNITOR, MODEL#35
9.....	20735.....	PIEZO, MODEL#35
15.....	70722.....	MAIN FRAME LOWER ASSEMBLY
16.....	14504.....	THERMOCOUPLE BRACKET



**IF SERVICE IS REQUIRED**

PLEASE DO NOT RETURN THIS APPLIANCE TO YOUR STORE

For information regarding service, please call our Toll-Free Number: 866-447-2194.

Our office hours are 8:00 AM to 5:00 PM, Eastern Time Zone, Monday through Friday

Please include the model number, date of purchase and description of problem in all communication.



**NEVER LEAVE THE HEATER UNATTENDED WHILE BURNING!**

**⚠WARNING**

**Air Quality Hazard**

- Do not use this heater for heating human living quarters.
- Use of direct-fired heaters in the construction environment can result in exposure to levels of CO, CO<sub>2</sub>, and NO<sub>2</sub> considered to be hazardous to health and potentially life threatening.
- Do not use in unventilated areas.
- Know the signs of CO and CO<sub>2</sub> poisoning.
  - Headaches, stinging eyes
  - Dizziness, disorientation
  - Difficulty breathing, feels of being suffocated
- Proper ventilation air exchange (OSHA 29 CFR 1926.57) to support combustion and maintain acceptable air quality shall be provided in accordance with OSHA 29 CFR Part 1926.154, ANSI A10.10 Safety Requirements for Temporary and Portable Space Heating Devices and Equipment used in the Construction Industry or the Natural Gas and Propane Installation Codes CSA B149.1.
  - Periodically monitor levels of CO, CO<sub>2</sub> and NO<sub>2</sub> existing at the construction site – at the minimum at the start of the shift and after 4 hours.
  - Provide ventilation air exchange, either natural or mechanical, as required to maintain acceptable indoor air quality.

	USA 8-Hr Time weighted average (OSHA 29 CFR 1926.55 App A)	Canada 8-hr time weighted average WorkSafe BC OHS Guidelines Part 5.1 and Ontario Workplaces Reg 833
CO	50 ppm	
CO <sub>2</sub>	5000 ppm	
NO <sub>2</sub>		
	USA – Ceiling Limit (Short Term Exposure Limit = 15 minutes)	Canada STEL (15 minutes Reg 833/1 hour WSBC) WorkSafe BC OHS Guidelines Part 5.1 and Ontario Workplaces Reg 833
CO		100 ppm
CO <sub>2</sub>		15000 ppm (WSBC) 3000 ppm (Reg 833)
NO <sub>2</sub>	5ppm	1.0 ppm (WorkSafeBC) 5.0 ppm (Reg 833)

- Ensure that the flow of combustion and ventilation air exchange cannot become obstructed.
- As the building 'tightens up' during the construction phases ventilation may need to be increased.

**NEVER LEAVE THE HEATER UNATTENDED WHILE BURNING!**

# OPERATING INSTRUCTIONS AND OWNER'S MANUAL

**READ INSTRUCTIONS CAREFULLY:** Read and follow all instructions. Place instructions in a safe place for future reference. Do not allow anyone who has not read these instructions to assemble, light, adjust or operate the heater.

**HEATSTAR**  


MODEL  
HS35LP



## WARNING:

USE ONLY MANUFACTURER'S REPLACEMENT PARTS. USE OF ANY OTHER PARTS COULD CAUSE INJURY OR DEATH. REPLACEMENT PARTS ARE ONLY AVAILABLE DIRECT FROM THE FACTORY AND MUST BE INSTALLED BY A QUALIFIED SERVICE AGENCY.

## PARTS ORDERING INFORMATION:

**PURCHASING:** Accessories may be purchased at any HeatStar local dealer or direct from the factory

### FOR INFORMATION REGARDING SERVICE

Please call Toll-Free 866-447-2194

[www.heatstarbyenerco.com](http://www.heatstarbyenerco.com)

Our office hours are 8:00 AM – 5:00 PM, EST, Monday through Friday.

Please include the model number, date of purchase, and description of problem in all communication.

## WARRANTY

HEATSTAR by ENERCO warrants that Infra Red Heaters manufactured and sold will be free from defects in material and workmanship.

Parts assemblies, controls, etc. furnished by HEATSTAR by ENERCO will carry a one (1) year warranty on the applicable warranties of the suppliers.

The sole responsibility of HEATSTAR by ENERCO under this warranty shall be to replace or repair any part for which a written claim is made to HEATSTAR by ENERCO within the time limit of this warranty which is returned upon request to HEATSTAR by ENERCO – F.O.B. Cleveland, Ohio – or F.O.B. any HEATSTAR by ENERCO authorized service facility and which is proved to be defective upon inspection by HEATSTAR by ENERCO.

This warranty shall not apply to any part or product which has been subjected to misuse or neglect, damaged by accident, or rendered defective by reason of improper installation. THIS WARRANTY IS IN LIEU OF ANY AND ALL OTHER WARRANTIES, EXPRESSED OR IMPLIED, and of any other responsibility of Enerco Technical Products for parts or products sold by HEATSTAR by ENERCO, including consequential or special damages.

HEATSTAR by ENERCO reserves the right to make changes at any time, without notice or obligation, in colors, specifications, accessories, materials and models.

**PRODUCT REGISTRATION:** Thank you for your purchase.  
Please log in to <http://www.egiregistration.com> to register your product.

HEATSTAR by ENERCO, 4560 W. 160TH ST., CLEVELAND, OHIO 44135 • 866-447-2194  
Enerco and Mr. Heater are registered trademarks of Enerco Group, Inc.  
© 2019, Enerco Group, Inc. All rights reserved



**NE JAMAIS LAISSER LE CHAUFFAGE SANS SURVEILLANCE PENDANT LE BRÛLAGE!**

## MANUEL DE L'UTILISATEUR ET INSTRUCTIONS D'UTILISATION

**REMARQUE :** lisez et suivez les instructions d'utilisation. Rangez le manuel de l'utilisateur dans un endroit sûr aux fins de référence ultérieure. NE LAISSEZ PERSONNE qui n'a pas lu le manuel de l'utilisateur tenter de monter, de mettre en marche, de régler ou de faire fonctionner l'appareil de chauffage.

**HEATSTAR**

MODÈLE

HS35LP



### APPAREIL DE CHAUFFAGE PORTATIF À INFRAROUGE FONCTIONNANT AU GAZ

NE LAISSEZ PAS L'APPAREIL DE CHAUFFAGE FONCTIONNER SANS SURVEILLANCE

BONBONNE NON COMPRISE



#### AVERTISSEMENT CONTRE LES RISQUES GÉNÉRAUX :

LE FAIT DE NE PAS RESPECTER LES PRÉCAUTIONS ET LES INSTRUCTIONS FOURNIES AVEC LE PRÉSENT APPAREIL DE CHAUFFAGE PEUT ENTRAÎNER LA MORT, DES BLESSURES CORPORELLES GRAVES, DES PERTES OU DOMMAGES DE BIENS CAUSÉS PAR LE FEU, DES EXPLOSIONS, DES BRÛLURES, L'ASPHYXIE, L'EMPOISONNEMENT AU MONOXYDE DE CARBONE OU DES ÉLECTROCUTIONS.

SEULES LES PERSONNES COMPRENNANT ET POUVANT SUIVRE LES INSTRUCTIONS DEVRAIENT UTILISER LE PRÉSENT APPAREIL DE CHAUFFAGE.

SI VOUS DÉSIREZ OBTENIR DE L'AIDE OU DES INFORMATIONS SUR LE PRÉSENT APPAREIL, COMME DES MODES D'EMPLOI, DES ÉTIQUETTES, ETC., VEUILLEZ COMMUNIQUER AVEC LE FABRICANT.



#### MISE EN GARDE :

RISQUE D'INCENDIE, DE BRÛLURE, D'INHALATION DE SUBSTANCES TOXIQUES ET D'EXPLOSION. TEL QUE MENTIONNÉ DANS LE MANUEL DE L'UTILISATEUR, VEUILLEZ GARDER LES COMBUSTIBLES SOLIDES TELS QUE LES MATÉRIAUX DE CONSTRUCTION, LE PAPIER OU LE CARTON À DISTANCE DE L'APPAREIL DE CHAUFFAGE. N'UTILISEZ JAMAIS L'APPAREIL DE CHAUFFAGE DANS DES ENDROITS OÙ IL Y A OU IL PEUT Y AVOIR DES COMBUSTIBLES VOLATILES OU DES PRODUITS TELS QUE DE L'ESSENCE, DES SOLVANTS, DES DILUENTS À PEINTURE, DES PARTICULES DE POUSSIÈRE OU DES PRODUITS CHIMIQUES INCONNUS.



**MISE EN GARDE :** LE PRÉSENT APPAREIL N'EST PAS DESTINÉ À ÊTRE UTILISÉ DANS UN DOMICILE OU UN VÉHICULE RÉCRÉATIF.

**SPÉCIFICATIONS**

MODÈLE NO HS35LP  
 TYPE DE GAZ Gaz propane liquéfié  
 PRESSION D'ADMISSION  
 MAXIMALE 27.5 pouces d'eau (in. w.c.)  
 PRESSION D'ADMISSION  
 MINIMALE 27.5 pouces d'eau (in. w.c.)  
 PRESSION  
 D'ADMISSION 25.5 pouces d'eau (in. w.c.)  
 N'excédez pas les pressions d'admission de gaz indiquées sur la plaque signalétique pour le modèle HS35LP. Les pressions d'admission maximale et minimale (pour le réglage de l'admission) pour le gaz propane liquéfié sont les suivantes :

**⚠ MISE EN GARDE**  
 N'EXCÉDEZ PAS 1 PSI (27.5 POUCES D'EAU) DE PRESSION À LA VALVE D'ADMISSION DU GAZ.

**VENTILATION**

**⚠ MISE EN GARDE**  
 LE PRÉSENT APPAREIL N'EST PAS VENTILÉ ET DOIT ÊTRE UTILISÉ SEULEMENT DANS UN ENDROIT BIEN AÉRÉ.

La circulation d'air et le flux de combustion ne doivent pas être ralentis. N'UTILISEZ PAS l'appareil dans un endroit fermé. Tout processus de combustion requiert de l'oxygène et peut produire du monoxyde de carbone. L'appareil de chauffage doit être utilisé en présence d'une aération adéquate. L'endroit où l'appareil est mis en marche doit comporter deux ouvertures qui donnent directement vers l'extérieur, soit une basse et une haute, de préférence sur des côtés opposés de la pièce. Chacune de ces ouvertures doit permettre au moins 3 pouces carrés de prise et de sortie d'air pour chaque 1 000 BTU/heure consommé par l'appareil de chauffage afin de compléter le processus de combustion/ventilation. Veuillez assurer une meilleure ventilation si des appareils à combustible ou des personnes supplémentaires se trouvent dans la même pièce que l'appareil de chauffage.

**DÉGAGEMENT (Distances de dégagement autour de matériaux combustibles)**

MODÈLE NO.	TAUX BTU/HEURE TYPE DE GAZ		POSITION NORMALE DE FONCTIONNEMENT	DISTANCES DE DÉGAGEMENT AUTOUR DES COMBUSTIBLES			
	NATUREL	Gaz propane liquéfié et gaz naturel		HAUT	CÔTÉS	ARRIÈRE	AVANT
HS35LP		35 000*	VERTICALE	40 po	40 po	0 po	54 po

\*La capacité et la température du réservoir peuvent influencer directement sur la production de BTU

**CONTENU**

Instructions d'installation ..... 3  
 Emplacement ..... 3  
 Tuyauterie ..... 3  
 Instructions d'utilisation ..... 4  
 Allumage et arrêt ..... 4  
 Entretien ..... 5  
 Liste des pièces de remplacement ..... 6  
 Service à la clientèle et commande de pièces ..... 8

**⚠ MESURES DE SÉCURITÉ**  
 N'utilisez pas l'appareil de chauffage dans un endroit où de l'essence ou autres liquides qui dégagent des vapeurs inflammables sont entreposés ou utilisés.

Le présent appareil est destiné à être utilisé comme appareil de chauffage sur les chantiers de construction conformément à la norme ANSI Z83.7 / CGA 2.14

Nous ne pouvons pas prévoir toutes les possibilités d'utilisation de nos appareils de chauffage. SI VOUS AVEZ DES QUESTIONS QUANT AUX DIFFÉRENTES UTILISATIONS POSSIBLES, VEUILLEZ COMMUNIQUER AVEC VOTRE SERVICE DES INCENDIES LOCAL.

Pour certaines applications, d'autres normes régissent l'utilisation de gaz combustibles et d'appareils de chauffage. Demandez à votre commission locale pour obtenir de plus amples informations à ce sujet.

Le présent appareil de chauffage est principalement destiné à chauffer les structures en construction ou en réparation.

**⚠ AVERTISSEMENT:** Les carburants utilisés dans les appareils à des produits chimiques, notamment le benzène, connu en Californie pour causer le cancer et causer des malformations congénitales ou d'autres problèmes de reproduction. [www.P65Warnings.ca.gov](http://www.P65Warnings.ca.gov)

**⚠ AVERTISSEMENT:** CE PRODUIT PEUT VOUS EXPOSER À PLOMB ET COMPOSÉS DE PLOMB, IDENTIFIÉ PAR L'ÉTAT DE CALIFORNIE COMME POUVANT CAUSER LE CANCER. LAVEZ-VOUS LES MAINS APRÈS AVOIR MANIPULÉ CE PRODUIT. POUR DE PLUS AMPLES INFORMATIONS, PRIÈRE DE CONSULTER [WWW.P65WARNINGS.CA.GOV](http://WWW.P65WARNINGS.CA.GOV).

## INFORMATIONS GÉNÉRALES

- A. Votre appareil de chauffage portatif Enerco/MR. HEATER est livré entièrement assemblé. Il a été testé en usine avec la pression d'admission et le type de gaz appropriés, comme indiqué sur la plaque signalétique.
- B. Chaque appareil est muni d'une valve de sécurité à bouton presseur qui permet d'arrêter totalement et automatiquement la circulation de gaz en cas de problème. Le modèle HS35LP est également équipé d'un interrupteur de bascule et d'un indicateur de suralimentation.
- C. Avant de procéder à l'installation, veuillez vous assurer que l'appareil n'a subi aucun dommage. En cas de dommage, veuillez en informer la compagnie de transport et demander à ce qu'une vérification soit effectuée. Enerco/MR. HEATER fournira les pièces de remplacement seulement après avoir reçu un rapport de vérification écrit qui prouve la responsabilité de la compagnie de transport.

## POUR UNE UTILISATION SÉCURITAIRE

- A. **VEUILLEZ LIRE ATTENTIVEMENT LES INSTRUCTIONS SUIVANTES. Lisez et suivez les instructions. NE LAISSEZ PERSONNE qui n'a pas lu le manuel de l'utilisateur tenter de monter, de mettre en marche, de régler ou de faire fonctionner l'appareil de chauffage.**
- B. **Le gaz propane liquéfié est HAUTEMENT INFLAMMABLE.** En cas de fuite, la quantité de gaz propane liquéfié dans l'air augmentera ainsi que les risques d'incendie. La forte odeur du gaz propane liquéfié est facilement détectable. N'allumez jamais une allumette, ne mettez jamais de flamme et ne créez jamais d'étincelle électrique en présence d'odeur de gaz propane liquéfié. Aérez bien l'endroit, sortez l'appareil à l'extérieur et colmatez la fuite avant de mettre tout appareil en marche.
- C. Faites toujours fonctionner l'appareil de chauffage avec la bonbonne de gaz en position verticale sur une surface plane, au niveau et non combustible. **NE PLACEZ JAMAIS LA BONBONNE SUR LE CÔTÉ LORSQUE L'APPAREIL DE CHAUFFAGE EST EN MARCHÉ.**
- D. **N'ESSAYEZ JAMAIS de faire fonctionner l'appareil de chauffage avec un type de gaz autre que celui indiqué sur la plaque signalétique.**

## MISE EN GARDE LIÉE AUX SUBSTANCES ODORANTES

### MISE EN GARDE

#### Risque d'asphyxie

- N'utilisez pas l'appareil dans des endroits sans ventilation.
- Le débit de combustion et l'air de ventilation ne doivent pas être obstrués.
- Un air de ventilation adéquat doit être fourni pour supporter les exigences de l'air de combustion de l'appareil de chauffage utilisé.
- Référez-vous à la section des spécifications du manuel de l'appareil de chauffage, à la plaque de données de l'appareil ou communiquez avec le fabricant pour obtenir les renseignements relatifs aux exigences en apport d'air de ventilation de l'appareil.
- Un air de ventilation inapproprié occasionnera une combustion inadéquate.
- Une combustion inadéquate peut provoquer une asphyxie par le monoxyde de carbone causant de sérieuses blessures ou la mort. Les symptômes d'empoisonnement par le monoxyde de carbone peuvent inclure des maux de tête, des étourdissements et des difficultés respiratoires.

## ODEUR DU GAZ DE COMBUSTION

**Le GPL et le gaz naturel contiennent des substances odorantes artificielles ajoutées spécifiquement pour la détection de fuites de gaz de combustion. Si une fuite de gaz survient, vous devriez pouvoir sentir le gaz de combustion. Du fait que le propane (liquéfié) est plus lourd que l'air, vous devriez sentir l'odeur de gaz près du sol. N'IMPORTE QUELLE ODEUR DE GAZ EST LE SIGNAL POUR PRENDRE DES MESURES IMMÉDIATES !**

- Ne pas entreprendre une action qui pourrait enflammer le gaz de combustion. Ne pas basculer des interrupteurs électriques. Ne pas tirer une alimentation ou des rallonges électriques. Ne pas allumer des allumettes ni aucune autre source de flamme. Ne pas utiliser votre téléphone.
- Faire sortir tout le monde du bâtiment et s'éloigner de la zone tout de suite.
- Fermer tous les réservoirs de gaz propane (liquéfié) ou les vannes d'alimentation des cylindres de carburant ou la vanne d'alimentation principale de carburant située au compteur si vous utilisez du gaz naturel.
- Le gaz propane (liquéfié) est plus lourd que l'air et peut séjourner dans les zones basses. Quand vous avez toutes les raisons pour soupçonner une fuite de propane, empêchez l'accès à toutes les zones basses.
- Utiliser le téléphone de votre voisin et appeler votre fournisseur de gaz de combustion et les pompiers de votre secteur. Ne pas rentrer à nouveau dans le bâtiment ou dans la zone.
- Vous tenir hors du bâtiment et loin de la zone jusqu'à ce qu'elle soit déclarée sûre par les pompiers et par le fournisseur de votre gaz de combustion.
- ENFIN, laissez le personnel d'entretien du gaz de combustion et les pompiers vérifier si du gaz s'est échappé. Leur faire aérer le bâtiment et la zone avant d'y retourner. Les personnels d'entretien correctement formés doivent réparer toutes les fuites, vérifier qu'il n'y ait pas d'autres fuites possibles et ensuite rallumer l'appareil pour vous.

## DISSIPATION D'ODEUR - PAS D'ODEUR DETECTÉE

- Certaines personnes ne peuvent pas bien sentir les odeurs. Certaines personnes ne peuvent pas sentir l'odeur artificielle du produit chimique ajouté au propane (liquéfié) ou au gaz naturel. Vous devez déterminer si vous pouvez sentir la substance odorante dans ces gaz de combustion.
- Apprenez à reconnaître l'odeur du gaz propane (liquéfié) et du gaz naturel. Les revendeurs locaux de gaz propane (liquéfié) seront plus qu'heureux de vous donner une brochure que vous grattez et sentez. Utilisez-la pour vous familiariser avec l'odeur du gaz de combustion.
- Fumer peut diminuer votre capacité à sentir les odeurs. Se trouver alentour d'une odeur pour une certaine période de temps peut affecter votre sensibilité à cette odeur particulière. Les odeurs présentes dans les bâtiments où sont enfermés des animaux peuvent masquer l'odeur de gaz de carburant.
- La substance odorante dans le gaz propane (liquéfié) et dans le gaz naturel n'a pas de couleur et l'intensité de son odeur peut se dissiper dans certaines circonstances.
- S'il y a une fuite souterraine, le passage du gaz à travers le sol peut filtrer la substance odorante.
- L'odeur de gaz propane (liquéfié) peut différer dans son intensité à différents niveaux. Du fait que le gaz propane (liquéfié) est plus lourd que l'air, il peut y avoir plus d'odeurs à des niveaux inférieurs.
- Soyez toujours en alerte pour l'odeur de gaz la plus insignifiante. Si vous continuez à détecter n'importe quelle odeur de gaz, aussi faible soit-elle, traitez-la comme une fuite sérieuse. Mettez-vous tout de suite en action comme il a été discuté précédemment.

## ATTENTION - POINTS CRITIQUES À MÉMORISER !

- Le gaz propane (liquéfié) a une odeur reconnaissable. Apprenez à reconnaître ces odeurs. (Se référer aux sections Odeur de gaz de combustion et Dissipation d'odeur ci-dessus.
- Même si vous n'êtes pas correctement formé dans l'entretien et la réparation de l'appareil de chauffage, il faut TOUJOURS être consciemment averti des odeurs du gaz propane (liquéfié) et du gaz naturel.
- Si vous n'avez pas été correctement formé dans la réparation et l'entretien du gaz propane (liquéfié), alors ne tenter pas d'allumer l'appareil de chauffage, de faire l'entretien ou les réparations ou de faire des réglages du système de combustion de gaz propane (liquéfié) de l'appareil de chauffage
- Un test périodique de reniflage autour de l'appareil de chauffage ou aux raccords de l'appareil de chauffage ; c.-à-d. tuyauterie, connexions, etc., est une bonne pratique de sécurité sous n'importe quelles conditions. Si vous sentez l'odeur de même une petite quantité de gaz, CONTACTEZ VOTRE FOURNISSEUR DE GAZ DE COMBUSTION IMMÉDIATEMENT. N'ATTENDEZ PAS !

## INSTRUCTIONS D'INSTALLATION GÉNÉRAL

Pour les É.-U. et le Canada, l'installation du présent appareil doit être conforme aux codes locaux et/ou provinciaux ou, dans l'absence de tels codes, au

- code national (É.-U.) de gaz inflammables (National Fuel Gas Code), ANSI Z223.1 - dernière édition, ET à la (É.-U.) norme sur l'entreposage et la manipulation de gaz liquéfiés (Standard for the Storage and Handling of Liquefied Petroleum Gases), ANSI/NFPA 58, OU
- aux CODES D'INSTALLATION (Canada) CAN/CGA B149.1 ET B149.2

L'appareil de chauffage (y compris le tuyau et l'ensemble de régulation) doit être inspecté avant chaque utilisation et au moins une fois par année par une personne qualifiée. Si le tuyau du modèle MH35LP montre des signes d'usure excessive, ou s'il est coupé, il doit être remplacé avant que l'appareil de chauffage ne soit mis en marche. La tuyauterie de remplacement doit avoir été approuvée par le fabricant. Voir la liste des pièces.

La température minimale ambiante pour utiliser le présent appareil est de 20 degrés Fahrenheit (-6 degrés Celsius).

L'appareil est muni d'un interrupteur « de bascule » qui coupe automatiquement l'alimentation en gaz si l'appareil bascule. Assurez-vous que cet interrupteur est en position verticale et est bien fixé avec les vis fournies (voir fig. 2). **N'UTILISEZ JAMAIS l'appareil de chauffage avec la bonbonne de gaz en une position autre que verticale.**

## EMPLACEMENT

Même si l'appareil de chauffage est muni d'un interrupteur « de bascule », la bonbonne de gaz et l'appareil doivent être placés sur une surface dure, plane et au niveau afin de réduire les risques de bascule. La bonbonne de gaz doit être installée de façon sécuritaire afin d'empêcher qu'elle ne tombe. **N'UTILISEZ PAS l'appareil de chauffage avec la bonbonne de gaz en une position autre que verticale.**

Le présent appareil de chauffage doit être installé seulement dans des endroits où le potentiel de dommages physiques à l'appareil (p. ex. causés par un contact physique) est réduit au minimum.

L'installateur doit informer le propriétaire/l'utilisateur de l'appareil des précautions à prendre pour protéger l'appareil contre d'éventuels dommages physiques.

Le présent appareil de chauffage produit de la chaleur rayonnante. Il doit donc être placé à au moins six pieds d'une bonbonne de gaz et ne doit pas faire face à une bonbonne de gaz à moins de 20 pieds.

L'appareil ne doit pas être exposé directement à l'eau pulvérisée ou à la pluie.

L'efficacité de l'appareil peut être réduite si vous l'utilisez dans un endroit venteux. Dans la mesure du possible, installez l'appareil dans un endroit sans courant d'air ou dirigez-le en direction opposé au courant d'air.

## TUYAUTERIE

### Pour le modèle MH35LP (pour utilisation avec du gaz propane liquéfié)

Ce modèle peut être branché à un système d'alimentation autonome de gaz propane liquéfié à l'aide du tuyau et de l'ensemble de régulation fournis avec l'appareil, OU, il peut être branché à un système d'alimentation de gaz propane liquéfié installé de façon permanente.

Si branchée à un système d'alimentation autonome de gaz propane liquéfié, la tuyauterie doit être examinée avant chaque utilisation. Si le tuyau du modèle montre des signes d'usure excessive, ou s'il est coupé, il doit être remplacé avant que l'appareil de chauffage ne soit mis en marche.

Si branchée à un système d'alimentation autonome de gaz propane liquéfié, la bonbonne doit avoir une capacité de gaz propane liquéfié minimale et maximale de 20 et 100 livres respectivement. **NE BRANCHEZ PAS l'appareil à une bonbonne ayant une capacité de gaz propane liquéfié nominale de 20 livres. NE BRANCHEZ PAS l'appareil à plus d'une bonbonne ayant une capacité de 100 livres.**



### MISE EN GARDE

**N'UTILISEZ JAMAIS UNE BONBONNE DE TYPE CHARIOT ÉLÉVATEUR À FOURCHE**

# NE JAMAIS LAISSER LE CHAUFFAGE SANS SURVEILLANCE PENDANT LE BRÛLAGE!

Le branchement du modèle HS35LP à une bonbonne de gaz propane liquéfié doit être effectué dans un endroit bien aéré à l'aide de la tuyauterie et l'ensemble de régulation fournis avec l'appareil. N'ESSAYEZ PAS de régler ce régulateur. Celui-ci a été réglé en usine afin d'assurer un fonctionnement adéquat et sécuritaire de l'appareil. Utilisez une clé à fourche 7/8 po pour bancher la pièce de fixation de gauche (fournie avec le régulateur à gaz) à la bonbonne de gaz. Vissez l'écrou de gauche en sens anti-horaire (filetage à gauche). N'UTILISEZ PAS de mastic pour joints de tuyaux sur le filetage de gauche.

L'appareil de chauffage doit être placé à au moins six pieds d'une bonbonne de gaz et ne doit pas faire face à une bonbonne de gaz à moins de 20 pieds. Si plusieurs appareils de chauffage sont utilisés, ces derniers ainsi que les bonbonnes doivent être séparés par une distance d'au moins 20 pieds.

Lorsque l'appareil de chauffage n'est pas utilisé, l'alimentation en gaz doit être coupée à la source, c'est-à-dire à la bonbonne de gaz.

Si l'appareil de chauffage doit être entreposé à l'intérieur, le tuyau entre la bonbonne de gaz et l'appareil doit être débranché, et la bonbonne enlevée de l'appareil de chauffage et entreposée de la façon indiquée au chapitre 5 de la norme d'entreposage et de manipulation des gaz liquéfiés (Standard for the Storage and Handling of Liquefied Petroleum Gases), ANSI/NF-PA 58 (É.-U.), OU CAN/CGA B149.2 (Canada).

Si branché à un système d'alimentation de gaz installé de façon permanente, le système requiert l'utilisation d'un ensemble de régulation à deux phases habituellement fourni par votre fournisseur de gaz dans un système d'alimentation de gaz. Pour obtenir de plus amples informations sur les instructions d'installation et l'équipement appropriés, veuillez vous renseigner auprès de votre fournisseur de gaz local.

La tuyauterie doit être maintenue propre et ne doit pas être salie de bavure de mortier ou présenter des dépôts calcaires.

Avant d'allumer l'appareil, veuillez vous assurer que les pièces de fixations et les joints sont bien fixés afin de prévenir des fuites éventuelles. Pour détecter des fuites, appliquez une petite quantité d'eau savonneuse sur tous les joints; des bulles se formeront en présence de fuite. Dans un tel cas, couper immédiatement l'alimentation en gaz. Attendez au moins 5 minutes, réparez la fuite et faites une autre vérification. Faites sécher les joints après la vérification.



## MISE EN GARDE

N'UTILISEZ JAMAIS UNE FLAMME NUE POUR PROCÉDER À LA VÉRIFICATION D'UNE FUITE COLMATÉE.

## INSTRUCTIONS D'UTILISATION



## MISE EN GARDE

SI VOUS NE RESPECTEZ PAS LES INSTRUCTIONS À LA LETTRE, UN INCENDIE OU UNE EXPLOSION PEUT S'ENSUIVRE ET CAUSER DES DOMMAGES DE BIENS, DES BLESSURES CORPORELLES OU LA MORT.



## AVERTISSEMENT

LE PRÉSENT APPAREIL DEVIENT TRÈS CHAUD EN COURS D'UTILISATION. ÉVITEZ TOUT CONTACT PHYSIQUE.



## AVERTISSEMENT

NE DÉPOSEZ PAS DE VÊTEMENT OU AUTRE MATÉRIAU COMBUSTIBLE SUR L'APPAREIL DE CHAUFFAGE.

**N'UTILISEZ PAS l'appareil si l'un de ses composants a été en contact avec de l'eau. Faites appel à un technicien qualifié pour procéder à une vérification de l'appareil** et remplacer toute pièce du système de contrôle ou de la valve ayant été en contact avec de l'eau.

Le présent appareil de chauffage doit être installé seulement dans des endroits où le potentiel de dommages physiques à l'appareil est réduit au minimum. Le propriétaire/utilisateur doit s'assurer que les précautions nécessaires sont prises afin de protéger l'appareil contre d'éventuels dommages physiques.

## ALLUMAGE ET ARRÊT

### Allumage de l'appareil

1. Avant d'allumer l'appareil, assurez-vous qu'il n'y a pas d'odeur de gaz autour de l'appareil. Étant donné que le gaz propane liquéfié est plus lourd que l'air, il est important de sentir au niveau du sol. Alimentez l'appareil en gaz et inspectez les joints pour détecter toute fuite de gaz à l'aide d'eau savonneuse. N'UTILISEZ JAMAIS une flamme nue pour détecter une fuite. En cas de fuite, couper immédiatement l'alimentation en gaz à l'appareil. Attendez au moins 5 minutes avant de colmater la fuite.
2. Utilisez seulement le type de combustible prévu pour le présent appareil de chauffage. Consultez la plaque signalétique pour obtenir des informations sur le type de combustible à utiliser.
3. Coupez l'alimentation principale à l'appareil. Attendez 5 minutes.
4. Ouvrez l'alimentation de gaz principale.
5. Appuyez sur le bouton de réinitialisation et maintenez-le enfoncé tout en approchant une allumette allumée du brûleur. Une fois le brûleur allumé, maintenez le bouton de réinitialisation enfoncé pendant environ une minute ou jusqu'à ce que le brûleur reste allumé lorsque le bouton de réinitialisation est relâché. **NE METTEZ PAS le feu au gaz à l'orifice du brûleur. NE FAITES PAS face à la partie frontale de l'appareil au moment de l'allumage, tenez-vous toujours à côté de celui-ci.**

REMARQUE : Si de longues conduites d'alimentation en gaz ont été installées en avant de l'appareil de chauffage, vous devrez peut-être enlever l'air de ces conduites avant d'allumer le brûleur. On doit habituellement enlever l'air des conduites d'alimentation des nouvelles installations. Après avoir enlevé l'air des conduites d'alimentation, attendez au moins 5 minutes avant d'essayer d'allumer le brûleur.

6. **IMPORTANT : N'ESSAYEZ PAS de régler l'admission en gaz du brûleur principal à l'aide de la valve d'alimentation principale**, car le thermocouple pourrait fermer le brûleur.

## Instructions d'arrêt

Pour éteindre l'appareil de chauffage :

1. Fermez la valve d'alimentation de la bonbonne de gaz.
2. Observez le brûleur jusqu'à ce que la flamme s'éteigne.
3. Soyez attentif au bruit provoqué par la fermeture de la valve de sécurité.
4. **IMPORTANT : ATTENDEZ que la valve de sécurité se ferme avant d'ouvrir à nouveau la valve de la bonbonne de gaz.**

## ENTRETIEN

Le présent appareil de chauffage (y compris la tuyauterie et l'ensemble de régulation) doit être inspecté avant chaque utilisation. Si le tuyau du modèle HS35LP montre des signes d'usure excessive, ou s'il est coupé, il doit être remplacé avant que l'appareil de chauffage ne soit mis en marche. La tuyauterie de remplacement doit avoir été approuvée par le fabricant. Voir la liste des pièces.

L'espace environnant de l'appareil doit toujours être dépourvu de combustibles, d'essence ou de vapeurs ou de liquides inflammables.

La circulation d'air et le flux de combustion ne doivent pas être ralentis.

## Nettoyage

L'appareil de chauffage doit être nettoyé régulièrement afin d'enlever toute particule de poussière et de saleté.

**DANGER**

**NE TENTEZ PAS DE NETTOYER L'APPAREIL DE CHAUFFAGE LORSQUE CELUI-CI EST EN MARCHÉ OU ENCORE CHAUD.**

- Éteignez l'appareil et attendez qu'il soit entièrement refroidi (attendre au moins 20 minutes) avant de le nettoyer.
- Nettoyez l'extérieur de l'appareil à l'aide d'un chiffon humide. **NE NETTOYEZ PAS** l'appareil de chauffage en y vaporisant de l'eau. Essuyez ensuite l'extérieur avec un chiffon sec.
- Nettoyez l'intérieur de l'appareil en utilisant de l'air comprimé. Soufflez de l'air dans l'orifice du brûleur jusqu'à ce que toute saleté soit délogée de la surface de la pièce réverbérante et de l'écran grillagé. Soufflez également de l'air dans le diffuseur à partir de l'embout de contrôle du brûleur.
- Nettoyez l'orifice de chaque brûleur à l'aide d'une mèche n° 55 (pour gaz propane liquéfié).
- Nettoyez le fil du thermocouple.

**N'UTILISEZ PAS l'appareil si l'un de ses composants a été en contact avec de l'eau.** Faites appel à un technicien qualifié pour procéder à une vérification de l'appareil et remplacer toute pièce du système de contrôle ou de la valve ayant été en contact avec de l'eau.

L'appareil de chauffage doit être inspecté au moins une fois par année par une personne qualifiée.

## DÉPANNAGE (Modèle HS35LP)

**Le brûleur s'allume, mais s'éteint lorsque le bouton est relâché.**

### VÉRIFIEZ SI :

- Les fils branchés à l'interrupteur de bascule sont bien fixés. (voir fig. 2)
- Tous les fils sont bien fixés.
- Le thermocouple est bien fixé. Assurez-vous que le thermocouple est correctement mis en place entre la pièce réverbérante et la grille.
- Le thermocouple fonctionne correctement. Remplacez-le si nécessaire.
- La pièce de contrôle du gaz fonctionne bien. Remplacez-la si nécessaire.
- L'interrupteur de bascule fonctionne bien. Remplacez-le si nécessaire.

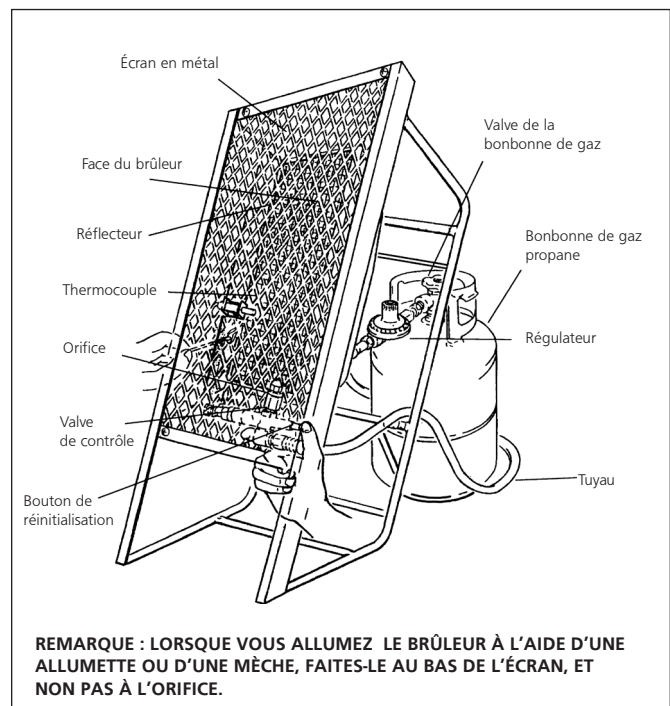


Figure 1



**A appareil de chauffage portatif à infrarouge fonctionnant au gaz • Modèle no HS35LP**

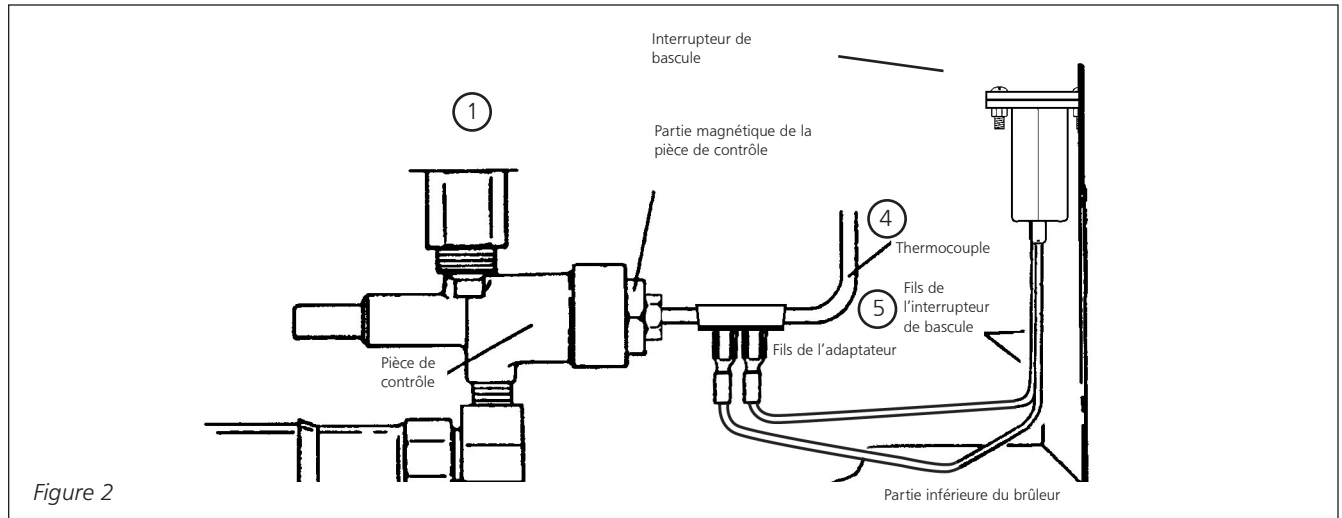


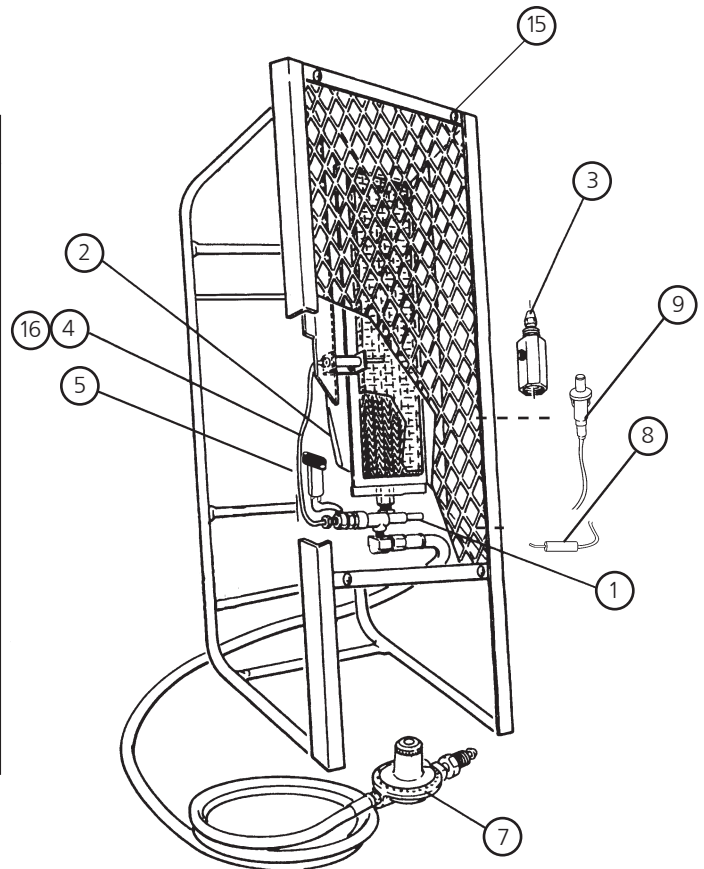
Figure 2

**Interruuteur en cas de basculement**

REMARQUE : L'interrupteur en cas de basculement sert à bloquer automatiquement l'alimentation en gaz si l'appareil bascule ou est renversé accidentellement. Si l'appareil est renversé, veuillez simplement le remettre en position verticale.

**LISTE DES PIÈCES DE REMPLACEMENT**

N° RÉF.....	N° Article	DESCRIPTION
1.....	23525.....	VALVE DE CONTRÔLE, ARRÊT D'URGENCE MANUEL, PORTATIF 3/8MPXI/4MP
2.....	23526.....	BRÛLEUR/CADRE LÉGER/D1096
3.....	23527.....	ORIFICE/MÈCHE POUR BRÛLEUR N° 55
4.....	21920.....	ENSEMBLE THERMOCOUPLE/18 PO
5.....	42116.....	FIL DE 6 PO DE L'INTERRUPTEUR DE BASCULE (PORT)
7.....	07133.....	RÉGULATEUR DE GAZ - PRESSION D'ADMISSION DE 21 PO D'EAU
8.....	23531.....	ALLUMEUR, MODÈLE N° 35
9.....	20735.....	PIEZO, MODÈLE N° 35
15.....	70722.....	MAIN FRAME LOWER ASSEMBLY
16.....	14504.....	PARENTHÈSE DE THERMOCOUPLE



**SERVICE À LA CLIENTÈLE**

N'ENVOYEZ PAS LE PRÉSENT APPAREIL DE CHAUFFAGE À VOTRE MAGASIN

Pour obtenir de plus amples informations sur le service à la clientèle, veuillez composer notre numéro sans frais : 866-447-2194.

Nos heures d'ouverture sont de 8 h 30 à 17 h , heure de l'Est, du lundi au vendredi.

Veuillez fournir le numéro du modèle, la date d'achat et la description du problème lorsque vous communiquez avec notre service.

**△AVERTISSEMENT**

**Danger de la qualité de l'air**

- N'utilisez pas cet appareil de chauffage pour le chauffage des locaux d'habitation humaine.
- L'utilisation des appareils de chauffage direct dans les environnements de construction peut vous exposer à des niveaux de CO, CO<sub>2</sub>, et NO<sub>2</sub>, qui sont considérés comme dangereux pour la santé et potentiellement mortels.
- Ne pas utiliser dans les zones non ventilées.
- Connaissiez les signes d'empoisonnement au CO et CO<sub>2</sub>.
  - Maux de tête, brûlure des yeux
  - Vertige, désorientation
  - Difficulté à respirer, sensation d'étouffement
- Un échange d'air de ventilation adéquat (OSHA 29 CFR 1926.57) pour supporter la combustion et maintenir une qualité de l'air acceptable est fournie selon OSHA 29 CFR partie 1926.154, ANSI A10.10 Exigences de sécurité pour les appareils et équipements de chauffage portables et temporaires utilisés dans l'industrie de la construction ou les Codes CSA pour le gaz naturel et le gaz propane CSA B149.1.
  - Surveiller périodiquement les niveaux de CO, de CO<sub>2</sub> et de NO<sub>2</sub> existants sur le site de construction – à tout le moins au début du quart de travail et après 4 heures.
  - Prévoir un échange d'air de ventilation, soit naturel ou mécanique, tel que requis pour maintenir une qualité de l'air intérieur acceptable..

	Moyenne pondérée dans le temps sur 8 heures, États-Unis (OSHA 29 CFR 1926.55 App A)	Moyenne pondérée dans le temps sur 8 heures, Canada Directives SST de WorkSafe BC partie 5.1 et Règlement sur les milieux de travail en Ontario 833
CO	50 parties par million	
CO <sub>2</sub>	5000 parties par million	
NO <sub>2</sub>		
	É.-U. - Limite de plafond (limite d'exposition à court terme = 15 minutes)	Directives de SST Canada STEL (15 minutes Rég. 833 / 1 heure WSBC) de WorkSafe BC partie 5.1 et Règlement sur les milieux de travail en Ontario 833
CO		100 parties par million
CO <sub>2</sub>		15000 parties par million (WSBC) 3000 parties par million (Reg 833)
NO <sub>2</sub>	5 parties par million	1.0 parties par million (WorkSafeBC) 5.0 parties par million (Reg 833)

- Assurez-vous que le débit d'échange d'air de combustion et de ventilation ne peut pas être obstrué.
- La ventilation peut devoir être augmentée à mesure que le bâtiment « durcit » lors des phases de construction.

## MANUEL DE L'UTILISATEUR ET INSTRUCTIONS D'UTILISATION

**REMARQUE :** lisez et suivez les instructions d'utilisation. Rangez le manuel de l'utilisateur dans un endroit sûr aux fins de référence ultérieure. **NE LAISSEZ PERSONNE** qui n'a pas lu le manuel de l'utilisateur tenter de monter, de mettre en marche, de régler ou de faire fonctionner l'appareil de chauffage.

**HEATSTAR**

MODÈLE

HS35LP



### MISE EN GARDE

UTILISEZ SEULEMENT LES PIÈCES DE REMPLACEMENT DU FABRICANT. L'UTILISATION D'AUTRES PIÈCES PEUT CAUSER DES BLESSURES OU LA MORT. LES PIÈCES DE REMPLACEMENT SONT UNIQUEMENT DISPONIBLES AUPRÈS DE L'USINE ET DOIVENT ÊTRE INSTALLÉES PAR UN TECHNICIEN QUALIFIÉ.

### INFORMATIONS CONCERNANT LES COMMANDES DE PIÈCES DE RECHANGES :

**ACHAT :** Les accessoires peuvent être achetés chez n'importe quel revendeur local HEATSTAR ou directement à l'usine

**POUR DES INFORMATIONS SUR LE SERVICE**

Veuillez appeler sans frais le 866-447-2194

[www.mrheater.com](http://www.mrheater.com) • [www.heatstarbyenerco.com](http://www.heatstarbyenerco.com)

Nos heures de bureau sont de 8:00 h à 17:00 h, fuseau horaire de l'est, du lundi au vendredi. Veuillez inclure le numéro du modèle, la date d'achat et la description du problème dans toute communication.

### WARRANTY

HEATSTAR by ENERCO garantit que les appareils de chauffage infrarouges fabriqués et vendus sont exempts de défaut de matériel et de fabrication.

Les pièces détachées des ensembles, les contrôles, etc. fournis par HEATSTAR by ENERCO comporteront la garantie d'un (1) an sur les garanties applicables des fournisseurs.

La seule responsabilité de HEATSTAR by ENERCO sous cette garantie sera de remplacer ou de réparer n'importe quelle pièce pour laquelle une réclamation écrite est faite à HEATSTAR by ENERCO dans la limite de validité de cette garantie, qui est retournée sur demande à HEATSTAR by ENERCO – FOB Cleveland, Ohio – ou FOB à n'importe quel centre d'entretien agréé HEATSTAR by ENERCO et qui s'est révélée défectueuse lors de l'inspection par HEATSTAR by ENERCO.

Cette garantie ne s'appliquera pas à toute pièce ou produit qui a été soumis à une mauvaise utilisation ou à de la négligence, endommagé par accident ou rendu défectueux en raison en raison d'une mauvaise installation. **CETTE GARANTIE VAUT EN LIEU ET PLACE DE N'IMPORTE QUELLE ET DE TOUTES AUTRES GARANTIES, EXPRIMEES OU IMPLICITES,** et d'aucune autre responsabilité par Enerco Technical Products pour les parties ou les produits vendus par HEATSTAR by ENERCO, y compris les dommages conséquents ou spéciaux.

HEATSTAR by ENERCO se réserve le droit de modifier en tout temps, sans préavis ni obligation, les couleurs, spécifications, accessoires, matériaux et modèles.

ENREGISTREMENT DE PRODUIT: Merci pour votre achat.

Connectez-vous s'il vous plaît à <http://www.egiregistration.com> pour enregistrer votre produit.

HEATSTAR by ENERCO, 4560 W. 160TH ST., CLEVELAND, OHIO 44135 • 866-447-2194

Enerco et Mr. Heater sont des marques déposées par Enerco Group, Inc.

© 2019, Enerco Group, Inc. Tous droits réservés



**¡NUNCA DEJE EL CALENTADOR DESATENDIDO MIENTRAS SE QUEMA!**

## INSTRUCCIONES DE USO Y MANUAL DEL USUARIO

**LEA CUIDADOSAMENTE LAS INSTRUCCIONES:** lea y siga todas las instrucciones. Conserve estas instrucciones en un lugar seguro para futura referencia. No permita que nadie que no haya leído estas instrucciones arme, encienda, ajuste o use el calentador.

**HEATSTAR**

MODELO

HS35LP



### CALENTADOR PORTÁTIL PARA CONSTRUCCIÓN INFRARROJO A GAS

NO DEJE EL CALENTADOR DESATENDIDO Y NO LO DEJE FUNCIONANDO MIENTRAS DUERME.

NO INCLUYE CILINDRO



#### ADVERTENCIA GENERAL DE PELIGRO:

EL NO CUMPLIR CON LAS PRECAUCIONES E INSTRUCCIONES QUE VIENEN CON ESTE CALENTADOR PUEDE CAUSAR LA MUERTE, LESIONES GRAVES Y PÉRDIDAS Y DAÑOS MATERIALES DERIVADOS DEL PELIGRO DE INCENDIO, EXPLOSIÓN, QUEMADURAS, ASFIXIA, ENVENENAMIENTO CON MONÓXIDO DE CARBONO, Y/O DESCARGAS ELÉCTRICAS.

SOLO LAS PERSONAS QUE ENTIENDAN Y PUEDAN SEGUIR LAS INSTRUCCIONES DEBEN USAR O MANTENER ESTE CALENTADOR.

SI NECESITA AYUDA O INFORMACIÓN ACERCA DEL CALENTADOR, COMO MANUALES DE INSTRUCCIONES, ETIQUETAS, ETC., PÓNGASE EN CONTACTO CON EL FABRICANTE.



#### ADVERTENCIA:

PELIGRO DE INCENDIO, QUEMADURAS, INHALACIÓN Y EXPLOSIÓN. MANTENGA LOS COMBUSTIBLES SÓLIDOS COMO MATERIALES DE CONSTRUCCIÓN, PAPEL O CARTÓN A UNA DISTANCIA SEGURA DEL CALENTADOR TAL COMO LO RECOMIENDAN LAS INSTRUCCIONES. NUNCA USE EL CALENTADOR EN ESPACIOS QUE CONTIENEN O PODRÍAN CONTENER COMBUSTIBLES VOLÁTILES O PRODUCTOS COMO GASOLINA, SOLVENTES, DILUYENTE DE PINTURA, PARTÍCULAS DE POLVO O PRODUCTOS QUÍMICOS DESCONOCIDOS.



**ADVERTENCIA:** NO APTO PARA USAR EN EL HOGAR NI EN CASAS RODANTES.

**ESPECIFICACIONES**

N.º DE MODELO. .... HS35LP  
 TIPO DE GAS ..... Gas LP  
 PRESIÓN DE ENTRADA  
 MÁX..... 27.5" W.C.  
 PRESIÓN DE ENTRADA  
 MÍN ..... 27.5" W.C.  
 PRESIÓN  
 DEL COLECTOR .. 25.5" W.C.

No exceda las presiones del suministro de gas indicadas en la placa de especificación para el modelo HS35LP. La presión máxima y la presión mínima del suministro de gas (para ajustar la entrada) para gas LP son las siguientes:

**⚠ ADVERTENCIA**  
 NO EXCEDA LOS 27.5" W.C. (1 psi) DE PRESIÓN DE ENTRADA AL CALENTADOR.

**VENTILACIÓN**

**⚠ ADVERTENCIA**  
 ESTE ARTEFACTO NO TIENE VENTILACIÓN Y DEBE USARSE ÚNICAMENTE EN UN ÁREA BIEN VENTILADA.

No obstruya el flujo de aire necesario para la combustión y la ventilación. NO lo use en un lugar muy cerrado. Todo proceso de combustión requiere y consume oxígeno, y puede producir monóxido de carbono. Este calentador debe usarse con la ventilación adecuada. Debe haber dos aberturas directamente hacia el exterior, una baja y otra alta, preferentemente en los lados opuestos del área que se desea calentar. Cada una de estas aberturas debe tener por lo menos tres pulgadas cuadradas de área de entrada de aire de combustión y área de salida de escape por cada 1000 BTU por hora de la tasa de entrada del calentador para completar el proceso de combustión/ ventilación. Proporcione ventilación adicional por cada artefacto a combustible y ocupantes adicionales.

**SEPARACIÓN (distancias mínimas a materiales combustibles)**

MODELO N.º:	ESPECIFICACIÓN BTU/HR TIPO DE GAS		FUNCIONAMIENTO NORMAL POSICIÓN	DISTANCIAS A COMBUSTIBLES			
	NATURAL	LP Y NG		ARRIBA	LADOS	ATRÁS	FRENTE
HS35LP		35,000*	VERTICAL	40"	40"	0"	54"

\*El tamaño y la temperatura del tanque pueden afectar directamente la salida de BTU.

**CONTENIDOS**

Instrucciones de instalación..... 3  
 Ubicación..... 3  
 Tuberías..... 3  
 Instrucciones de operación..... 4  
 Encendido y apagado ..... 4  
 Instrucciones de mantenimiento ..... 5  
 Lista de repuestos..... 6  
 Información del servicio técnico y para ordenar piezas..... 8

**⚠ POR SU SEGURIDAD**  
 No use este calentador en un lugar donde se almacene o se use gasolina u otros líquidos con vapores inflamables.

El calentador está diseñado y aprobado para usarse como calentador para construcción bajo las normas ANSI Z83.7/CGA 2.14

No podemos anticipar todos los usos que se le pueden dar a nuestros calentadores. CONSULTE CON LA AUTORIDAD DE SEGURIDAD ANTIINCENDIOS SI TIENE ALGUNA PREGUNTA SOBRE SUS APLICACIONES.

Hay otros estándares que rigen el uso de gases combustibles y productos que producen calor en aplicaciones específicas. Su autoridad local podrá asesorarle al respecto.

Este artefacto está diseñado para usarse principalmente para calefaccionar edificios en construcción, remodelación o reparación.

**⚠ ADVERTENCIA:** LOS COMBUSTIBLES USADOS EN EQUIPOS PARA LICUAR GAS PROPANO, ASÍ COMO LOS PRODUCTOS DE SU COMBUSTIÓN, PUEDEN EXPONERTE A SUSTANCIAS QUÍMICAS, ENTRE ELLAS EL BENCENO, QUE EL ESTADO DE CALIFORNIA RECONOCE COMO CAUSA DE CÁNCER Y DE MALFORMACIONES CONGÉNITAS Y OTROS DAÑOS AL SISTEMA REPRODUCTOR. PARA MÁS INFORMACIÓN, WWW.P65WARNINGS.CA.GOV

**⚠ ADVERTENCIA:** ESTE PRODUCTO PUEDE EXPONERLE A PLOMO Y COMPUESTOS DE PLOMO, QUE ES CONOCIDO (A) POR EL ESTADO DE CALIFORNIA COMO CAUSANTE DE CÁNCER. LÁVESE LAS MANOS DESPUÉS DE MANIPULAR ESTE PRODUCTO. PARA MAYOR INFORMACIÓN, VISITE WWW.P65WARNINGS.CA.GOV.

## INFORMACIÓN GENERAL

- A. El calentador portátil infrarrojo a gas viene completamente armado y probado en la fábrica para verificar que el gas y la entrada indicados en la placa sean correctos.
- B. Todo calentador viene con una válvula de seguridad de 100 % de cierre, a pulsador, que detendrá automáticamente el flujo del gas en caso de que el calentador deje de funcionar por cualquier motivo. El modelo HS35LP también viene equipado con un interruptor contra caídas y un control de exceso de flujo.
- C. Antes de seguir con esta instalación, verifique que la unidad no esté dañada. Debe notificar a la compañía de transporte acerca de cualquier daño y solicitar que inspeccionen la unidad. Enerco Technical Products enviará reemplazos para las partes dañadas solamente después de recibir un informe de inspección firmado para demostrar la responsabilidad de la compañía de transporte.

## PARA UN FUNCIONAMIENTO SEGURO

- A. **LEA CUIDADOSAMENTE ESTAS INSTRUCCIONES. Lea y siga las siguientes instrucciones. NO permita que nadie que no las haya leído arme, encienda, ajuste o use este calentador.**
- B. **El gas LP ES ALTAMENTE INFLAMABLE.** De producirse una fuga, el gas LP se acumulará y podría desatarse un incendio. El gas LP tiene un olor característico fuerte que puede ser detectado fácilmente. Nunca encienda fósforos o ningún tipo de llama, ni provoque una chispa eléctrica en un recinto donde haya olor a gas LP. Ventile el área a fondo, saque el calentador al exterior y repare la fuente de la fuga antes de encender cualquier artefacto.
- C. Utilice siempre el calentador con el cilindro de gas LP en posición vertical en una superficie nivelada no combustible. **NUNCA COLOQUE EL CILINDRO DE LADO AL UTILIZAR EL CALENTADOR.**
- D. **NO intente usar el calentador con cualquier otro gas que no sea el que se indica en la placa del calentador**

## ADVERTENCIA DE DISIPACIÓN DEL OLOR

### ADVERTENCIA

#### Peligro de asfixia

- No lo utilice en áreas sin ventilación.
- No obstruya el flujo de aire necesario para la combustión y la ventilación.
- Deberá suministrar la ventilación adecuada para garantizar que el calentador disponga del aire que necesita para la combustión.
- Consulte la sección de especificaciones del manual del calentador, la placa del calentador o póngase en contacto con el fabricante para conocer los requerimientos de ventilación del calentador.
- Si la ventilación no es la adecuada, la combustión no se llevará a cabo correctamente.
- Una combustión inadecuada puede producir envenenamiento con monóxido de carbono con graves daños para la salud, o causar la muerte. Los síntomas de envenenamiento con monóxido de carbono incluyen dolores de cabeza, mareos y dificultad para respirar.

## OLOR A GAS COMBUSTIBLE

Los gases LP y el gas natural contienen sustancias aromáticas artificiales añadidas específicamente para facilitar la detección de fugas de gas. Si se produjera una fuga de gas, usted debe poder oler el gas combustible. Dado que el propano (LP) es más pesado que el aire, debe tratar de detectar el olor lo más cerca del piso posible. **¡CUALQUIER OLOR A GAS SERÁ LA SEÑAL PARA TOMAR MEDIDAS INMEDIATAMENTE!**

- No haga nada que pudiera inflamar el gas combustible. No active ningún interruptor eléctrico. No desconecte ninguna toma de corriente ni cables de extensión. No encienda fósforos ni ninguna otra fuente de llamas. No utilice su teléfono.
- Saque a todas las personas del edificio y aléjelos del área inmediatamente.
- Cierre todas las válvulas de suministro de combustible de los cilindros o del tanque de gas propano (LP), o la válvula principal de suministro de combustible que se encuentra en el medidor si emplea gas natural.
- El gas propano (LP) es más pesado que el aire y puede asentarse en áreas bajas. Cuando sospeche que puede haber una fuga de propano, manténgase alejado de las áreas bajas.
- Utilice el teléfono de su vecino y llame al proveedor de gas y al departamento de bomberos. No vuelva a entrar al edificio ni se acerque al área.
- Manténgase alejado del edificio y del área hasta que los bomberos y el proveedor de gas hayan declarado que no hay peligro.
- **POR ÚLTIMO**, permita que la persona del servicio de gas y los bomberos revisen si hay fugas de gas. Haga que ventilen el edificio y el área antes de su regreso. Un agente de servicios calificado debe reparar cualquier fuga, revisar si hay otras fugas y volver a encender el artefacto por usted.

## DISIPACIÓN DEL OLOR: NO SE DETECTA NINGÚN OLOR

- Algunas personas tienen problemas de olfato. Algunos no pueden detectar el olor del químico artificial añadido al propano (LP) o al gas natural. Debe determinar si es capaz de oler la sustancia aromática que contienen estos gases combustibles.
- Aprenda a reconocer el olor del gas propano (LP) y del gas natural. Los distribuidores locales de propano (LP) le darán con gusto un panfleto con muestras de olores. Utilícelo para familiarizarse con el olor del gas combustible.
- El hábito de fumar puede disminuir su sentido del olfato. Exponerse a un olor durante un período puede afectar su sensibilidad a ese olor específico. Los olores presentes en instalaciones donde se crían animales pueden enmascarar el olor del gas combustible.
- **La sustancia aromática presente en el gas propano (LP) y en el gas natural es incolora y la intensidad de su olor puede desvanecerse en algunas circunstancias.**
- Si hay una fuga subterránea, el recorrido del gas a través del suelo puede filtrar esta sustancia aromática.
- El aroma del gas propano (LP) puede variar en intensidad a diferentes niveles. Dado que el gas propano (LP) es más pesado que el aire, el olor puede ser más intenso en los niveles más bajos.
- **Manténgase siempre alerta al más mínimo olor a gas.** Si continúa percibiendo el olor a gas, no importa cuán poco sea, proceda como si fuera una fuga grave. Tome medidas inmediatamente como se explicó anteriormente.

## ATENCIÓN: PUNTOS IMPORTANTES PARA RECORDAR

- El gas propano (LP) tiene un olor característico. Aprenda a reconocer estos olores. (Consulte las secciones Olor a gas combustible y Disipación del olor).
- Aunque usted no esté capacitado para dar mantenimiento y reparar el calentador, SIEMPRE esté atento a los olores del gas propano (LP) y del gas natural.
- Si no ha recibido capacitación para reparar y dar mantenimiento a equipos que emplean gas propano (LP), no intente encender el calentador, darle mantenimiento o repararlo, ni hacer ningún ajuste al calentador en el sistema de combustible de gas propano (LP).
- Una prueba olfativa periódica en las proximidades del calentador o en sus conexiones, por ejemplo, en la manguera, los acoples, etc., es una buena costumbre en todo momento. Si huele la más mínima cantidad de gas, PÓNGASE EN CONTACTO CON EL PROVEEDOR DE GAS INMEDIATAMENTE. ¡NO ESPERE!

## INSTRUCCIONES DE INSTALACIÓN

### GENERAL

Para los EE. UU. y/o Canadá, la instalación de este artefacto debe cumplir con las normas locales o provinciales o, en ausencia de dichas normas,

- con el Reglamento nacional de combustible gaseoso (EE. UU.) ANSI Z223.1, última edición Y con las Normas para el almacenamiento y manejo de gases licuados de petróleo (EE. UU.) ANSI/NFPA 58, O BIEN
- con las NORMAS ACTUALES DE INSTALACIÓN CAN/CGA B149.1 Y B149.2 (Canadá).

Hay que inspeccionar este calentador (incluso la manguera y el regulador) antes de cada uso y hacerlo revisar por una persona calificada una vez por año por lo menos. Si la manguera del modelo HS35LP muestra signos de abrasión o desgaste excesivo, o si tiene cortes, debe ser reemplazada antes de hacer funcionar el calentador. La manguera de reemplazo debe ser la indicada por el fabricante. Consulte la lista de piezas.

La temperatura ambiente mínima especificada para este calentador es de -6,6 C° (20 F°)

Este calentador tiene un interruptor contra "caídas" que apaga automáticamente el quemador en caso de que se caiga. Verifique que este interruptor esté en posición vertical y asegurado con los tornillos suministrados (consulte la figura 2). **NO use este calentador con el cilindro de gas LP en ninguna posición que no sea la vertical.**

### UBICACIÓN

A pesar de que este calentador tiene un interruptor contra "caídas", el calentador y el cilindro de suministro de GAS LP deben colocarse sobre una superficie dura, plana y nivelada para reducir al mínimo el riesgo de una caída accidental. El cilindro de suministro de gas LP debe sujetarse correctamente para evitar que se caiga accidentalmente. **NO USE este calentador con el cilindro de suministro en ninguna posición que no sea la vertical.**

Este artefacto debe instalarse únicamente en lugares donde el riesgo de daños físicos al artefacto (debidos a contacto físico por ejemplo) se reduzcan al mínimo.

El instalador debe informarle al dueño o usuario de este artefacto que se deben tomar las precauciones necesarias para proteger al artefacto contra daños físicos.

Este artefacto produce calor radiante. Por lo tanto, debe ubicarse por lo menos a seis pies de distancia de cualquier contenedor de gas LP y no debe apuntar hacia ningún contenedor de gas LP a menos de 6 metros.

El calentador debe instalarse en un lugar en el que no quede expuesto directamente a las salpicaduras de agua, lluvia o goteo de agua.

El usar este calentador en un área ventosa/con corrientes de aire puede disminuir su eficiencia. De ser posible, use la unidad en un área sin corrientes de aire o coloque el frente del calentador de espaldas a la corriente de aire.

### TUBERÍAS:

#### Para el modelo HS35LP (para usar con gas LP)

Este modelo puede conectarse a un sistema de suministro autónomo de gas LP con la manguera y el conjunto del regulador suministrado con el artefacto, O BIEN, puede conectarse a un sistema de suministro de gas LP permanentemente.

Si se conecta a un sistema de suministro de gas LP autónomo, el conjunto de la manguera debe inspeccionarse antes de cada uso del calentador. Si es evidente que hay abrasión o desgaste excesivos, o que la manguera está cortada, debe reemplazarse antes de poner en funcionamiento el calentador.

Si se conecta a un sistema de suministro de gas LP autónomo, el cilindro debe tener una capacidad de gas LP mínima de 9 kilogramos y máxima de 52,2 kilogramos. NO conecte este artefacto a un cilindro que tenga una capacidad nominal de gas LP menor a los 9 kilogramos. NO conecte este artefacto a más de un (1) cilindro de 52,2 kilogramos.



### ADVERTENCIA

NUNCA USE UN CILINDRO DEL TIPO USADO EN MONTACARGAS.

# ¡NUNCA DEJE EL CALENTADOR DESATENDIDO MIENTRAS SE QUEMA!

La conexión del modelo HS35LP a un cilindro de gas LP debe hacerse en un área bien ventilada, usando el regulador y la manguera que vienen con el artefacto. NO intente ajustar este regulador. Ha sido ajustado en la fábrica para brindar un funcionamiento seguro y adecuado del artefacto. Use una llave de extremo abierto de 7/8" para conectar el acople del POL (suministrado con el regulador de LP) al cilindro de gas LP. Enrosque la tuerca POL hacia la izquierda (es una rosca izquierda) hasta que quede fija. NO utilice compuestos para tuberías en las roscas POL.

El calentador debe ubicarse por lo menos a 1,8 m de cualquier cilindro de gas LP y no debe apuntar hacia ningún cilindro de gas LP a menos de 6 metros. Si se usa más de un calentador, deberán separarse de los cilindros de suministro por más de 6 metros.

El suministro de gas debe cerrarse en el cilindro de suministro de gas LP cuando el calentador no se use.

Cuando deba guardar el calentador en un lugar cerrado, deberá desconectar la conexión entre el cilindro de suministro de gas LP y el calentador, y deberá retirar el cilindro del calentador y guardarlo como se especifica en el Capítulo 5 de las normas para almacenamiento y manipulación de gases de petróleo líquido ANSI/NF-PA 58 (EE.UU.), O CAN/CGA B149.2 (Canadá).

Si se conecta a un sistema de suministro de gas LP permanentemente, el sistema requiere el uso de un regulador de gas de dos etapas, generalmente suministrado por el distribuidor de gas LP como parte del sistema de suministro de gas LP. Comuníquese con el distribuidor de gas LP local para obtener información detallada sobre el equipo y la instalación adecuados.

La tubería debe estar limpia y sin sarro o rebabas.

Antes de intentar encender el artefacto, deberá verificar bien que no haya ninguna fuga de gas por los acoples o las conexiones. Coloque una pequeña cantidad de solución de agua y jabón en todos los acoples y conexiones y observe si aparecen burbujas. Si detecta alguna fuga, cierre la entrada de gas al artefacto inmediatamente. Espere cinco minutos como mínimo, repare las fugas y vuelva a verificar que no haya fugas. Seque todos los acoples y conexiones después de la prueba de fugas.



## ADVERTENCIA

NUNCA USE UNA LLAMA PARA VERIFICAR LAS FUGAS.

## INSTRUCCIONES DE OPERACIÓN



**ADVERTENCIA:** SI NO SE SIGUEN AL PIE DE LA LETRA LAS INSTRUCCIONES DE ESTE MANUAL, PODRÍA PRODUCIRSE UN INCENDIO O UNA EXPLOSIÓN QUE PROVOCARÍA DAÑOS MATERIALES, LESIONES O MUERTES.



## CUIDADO

ESTE ARTEFACTO SE CALIENTA DURANTE SU FUNCIONAMIENTO NORMAL. EVITE TODO CONTACTO FÍSICO.



## CUIDADO

NO COLOQUE ROPA U OTRO MATERIAL COMBUSTIBLE SOBRE ESTE ARTEFACTO.

**NO use este calentador si alguna de las piezas ha estado bajo el agua. Contáctese de inmediato con un técnico de mantenimiento calificado para que inspeccione el calentador y reemplace cualquier pieza del sistema de control o válvula de control de gas que haya estado bajo el agua.**

Este artefacto debe instalarse y usarse únicamente en lugares donde el riesgo de daños físicos al artefacto se reduzcan al mínimo. El dueño/usuario de este artefacto debe asegurar que se tomen las precauciones necesarias para proteger el artefacto contra daños físicos.

## ENCENDIDO Y APAGADO

### Encendido del calentador:

1. Antes de encender el calentador, huela alrededor del área del calentador para verificar que no haya olor a gas. Asegúrese de oler cerca del piso ya que el gas LP es más pesado que el aire y se acumula en el piso. Abra el suministro de gas del artefacto y verifique todos los acoples y conexiones para corroborar que no haya fugas de gas con una solución de agua jabonosa. NUNCA use un fósforo para buscar fugas. En caso de que se produzca una fuga de gas, cierre el suministro de gas del artefacto de inmediato. Espere un mínimo de cinco minutos antes de reparar la fuga.
2. Use únicamente el combustible especificado para este artefacto. Consulte la placa de especificaciones del artefacto para obtener información actual acerca del combustible.
3. Cierre el suministro principal de gas al artefacto. Espere cinco minutos.
4. Abra la llave general de gas.
5. Oprima el botón de encendido de color rojo repetidamente o con un fósforo encendido en el quemador, oprima y mantenga presionado el botón RESET (reinicio) en la válvula de seguridad. Después de que se prenda el quemador, mantenga presionado el botón de reinicio por aproximadamente un minuto o hasta que el quemador se mantenga encendido cuando se suelte el botón. **NO encienda el gas en el orificio del quemador. NO se coloque frente al calentador cuando intente encenderlo. Siempre manténgase al costado de la unidad cuando la encienda.**

NOTA: En caso de que se instalen circuitos largos de líneas de suministro de gas antes que el artefacto, podría ser necesario purgar el aire atrapado en ellas antes de encender el quemador. Generalmente, las instalaciones nuevas requieren del purgado de las líneas de suministro. Espere durante un mínimo de cinco minutos luego de haber purgado las líneas de suministro antes de intentar encender el calentador.

6. **IMPORTANTE: NO intente ajustar la entrada del quemador principal usando la válvula general del suministro de gas,** ya que esto podría provocar que la termocupla apague el quemador.



## Instrucciones de apagado:

Para APAGAR el calentador:

1. Cierre la válvula del cilindro del suministro de gas LP.
2. Observe el quemador hasta que la llama se haya extinguido.
3. Escuche hasta que se haya cerrado la válvula de seguridad.
4. **IMPORTANTE: NO vuelva a abrir la válvula del cilindro de suministro de gas LP antes de que se cierre la válvula de seguridad.**

## INSTRUCCIONES DE MANTENIMIENTO

Este calentador (que incluye la manguera y el regulador) debe inspeccionarse antes de cada uso. Si la manguera del modelo HS35LP muestra signos de abrasión o desgaste excesivo, o si tiene cortes, debe ser reemplazada antes de hacer funcionar el calentador. La manguera de reemplazo debe ser la indicada por el fabricante. Consulte la lista de piezas.

El área del artefacto debe mantenerse libre de materiales combustibles, gasolina y otros vapores y líquidos inflamables en todo momento.

No obstruya el flujo de aire necesario para la combustión y la ventilación.

### Limpieza del calentador:

Periódicamente, deberá limpiar toda la suciedad y la tierra del calentador.



### PELIGRO

**NO INTENTE LIMPIAR EL CALENTADOR MIENTRAS ESTÁ FUNCIONANDO O ANTES DE QUE SE HAYA ENFRIADO.**

- Apague el calentador y espere hasta que se haya enfriado por completo (por lo menos 20 minutos) antes de limpiarlo.
- Limpie el exterior del calentador con un trapo húmedo. NO limpie el calentador rociándolo con agua. Repase el exterior del calentador con un trapo seco después de limpiarlo.
- Limpie el interior del calentador con aire comprimido. Limpie todo el quemador con aire hasta que haya quitado toda la suciedad de la superficie del reverberador y la rejilla. Limpie el Venturi desde el extremo de control del calentador.
- Limpie el orificio de cada quemador con una broca N. ° 55 (para gas LP).
- Limpie el cable de la termocupla.

**NO use este calentador si alguna de las piezas ha estado bajo el agua.** Contáctese de inmediato con un técnico de mantenimiento calificado para que inspeccione el calentador y reemplace cualquier pieza del sistema de control o válvula de control de gas que haya estado bajo el agua.

Una persona calificada debe inspeccionar el calentador por lo menos una vez por año.

## INFORMACIÓN PARA EL DIAGNÓSTICO DE FALLAS: (Modelo HS35LP)

Si el quemador se enciende, pero se apaga al soltar el botón.

### VERIFIQUE

- Cables flojos en el interruptor contra caídas. (Consulte la fig. 2)
- Afloje los cables y repárelos si es necesario.
- Afloje la termocupla y vuelva a ajustarla si es necesario. Asegúrese de que la termocupla se encuentre en el lugar adecuado entre el reverberador y la rejilla.
- Termocupla defectuosa. Reemplácelo si es necesario.
- Control defectuoso. Reemplácelo si es necesario.
- Interruptor contra caídas defectuoso. Reemplácelo si es necesario.

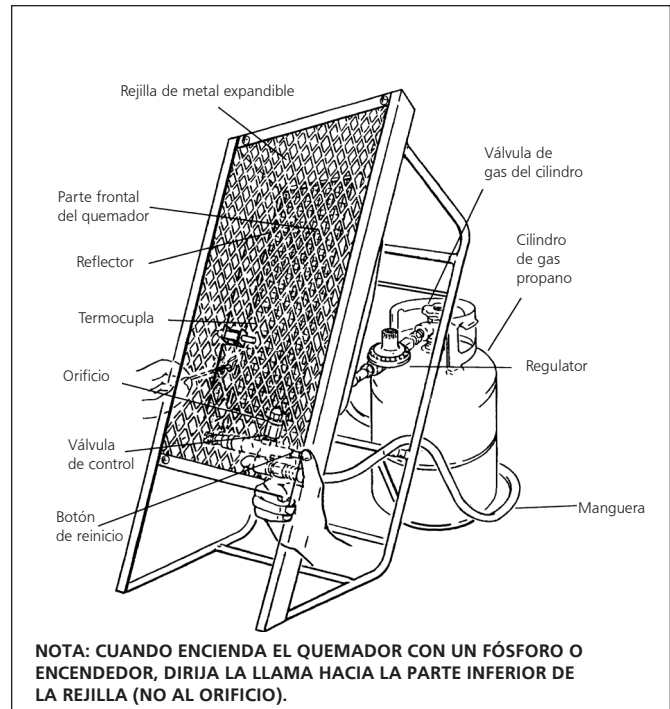


Figura 1

**Calentador portátil para construcción infrarrojo a gas • Modelo HS35LP**

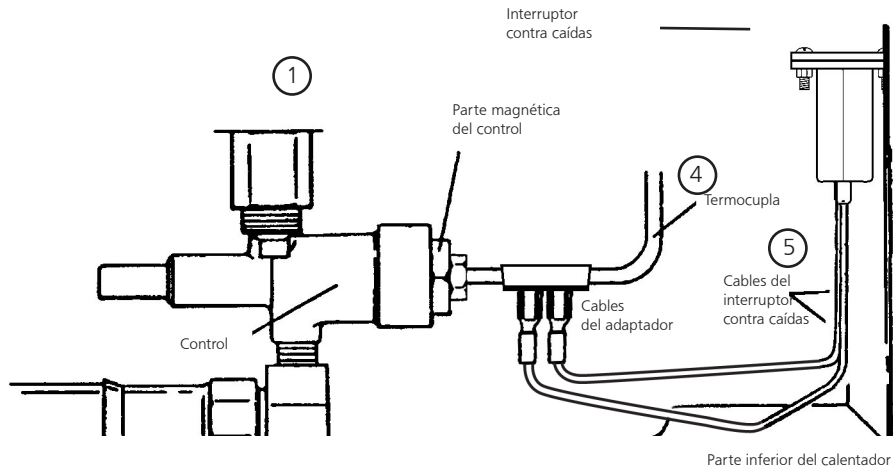
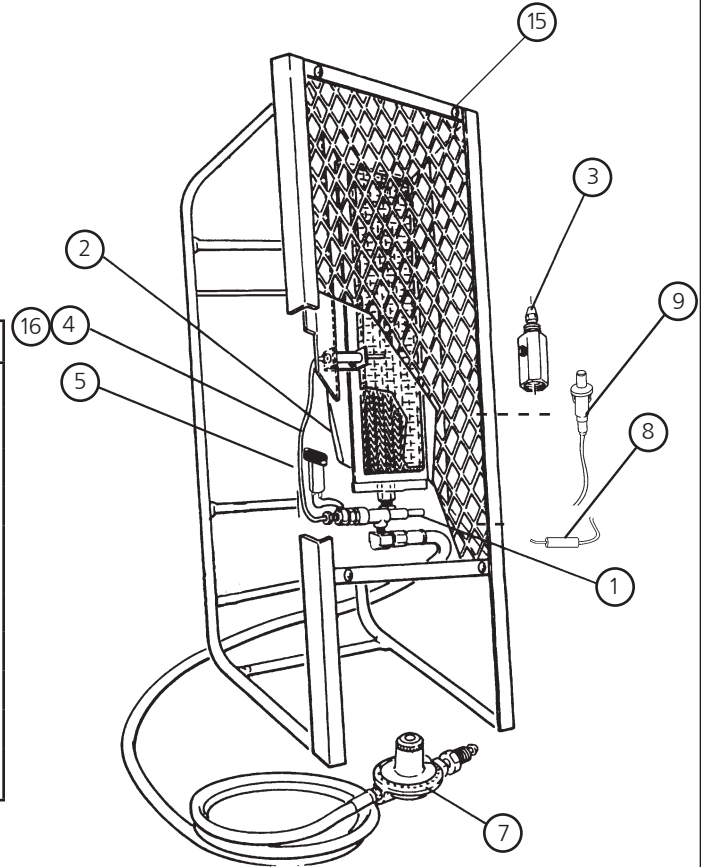


Figura 2

**Interrupor contra caídas** NOTA: El propósito del interruptor contra caídas es detener el flujo de gas cuando el calentador se cae accidentalmente. En ese caso, simplemente vuelva a ubicarlo en la posición correspondiente.

**LISTA DE REPUESTOS**

N.º DE REF	N.º DE ARTÍCULO	DESCRIPCIÓN
1.....	23525 .....	CONT M-N SS PUERTO 3/8MPXI/4MP
2.....	23526.....	QUEMADOR/LTFR PORTÁTIL/D1096
3.....	23527.....	QUEMADOR/LTFR PORTÁTIL/D1096
4.....	21920.....	CONJ. TERMOCUPLA/18"
5.....	42116 .....	CABLE DEL INTERRUPTOR CONTRA CAÍDAS 6" (PUERTO)
7.....	07133 .....	REC.L/P 21" SALIDA CA
8.....	23531.....	ENCENDEDOR, MODELO N.º 35
9.....	20735.....	PIEZO, MODELO N.º 35
15.....	70722 .....	MARCO PRIN. CONJ. INFERIOR
16.....	14504 .....	SOPORTE DE TERMOCUPLA



**SI NECESITA REPARACIONES**

NO DEVUELVA ESTE ARTEFACTO A LA TIENDA

Si desea obtener información acerca de reparaciones, llame a nuestra línea sin cargo: 866-447-2194.

Nuestro horario de trabajo es de 8:30 a. m. a 5:00 p. m., hora del este, de lunes a viernes.

Incluya el número de modelo, la fecha de compra y la descripción del problema en todas sus comunicaciones.

**⚠ADVERTENCIA**

**Peligro para la calidad del aire**

- No utilice este calefactor para calentar viviendas de personas.
- El uso de calefactores a fuego directo en lugares de construcción puede causar una exposición a niveles de CO, CO<sub>2</sub> y NO<sub>2</sub> considerados como peligrosos para la salud y potencialmente letales.
- No lo utilice en áreas sin ventilación.
- Conozca los signos de envenenamiento por CO y CO<sub>2</sub>.
  - Dolor de cabeza, picazón en los ojos
  - Mareo, desorientación
  - Dificultad para respirar, sentirse sofocado
- Se debe proporcionar aire de ventilación exterior adecuado (OSHA 29 CFR 1926.57) como para mantener la combustión y una calidad de aire aceptable de acuerdo con la norma OSHA 29 CFR Parte 1926.154, con los requisitos de seguridad para dispositivos y equipos de calefacción temporarios y portátiles utilizados en la industria de la construcción (ANSI A10.10) o con las normas de instalación para gas natural y propano (CSA B149.1).
  - Controle periódicamente los niveles de CO, CO<sub>2</sub> y NO<sub>2</sub> presentes en el lugar de la construcción (como mínimo, al principio del turno de trabajo y luego de 4 horas).
  - Proporcione aire de ventilación exterior, ya sea de forma natural o mecánica, como sea necesario para mantener una calidad aceptable del aire interior.

	EE.UU.: Promedio ponderado de 8 horas (OSHA 29 CFR 1926.55 App A)	Canadá: Promedio ponderado de 8 horas Recomendaciones WorkSafe BC OHS Parte 5.1 y Reglamentaciones para lugares de trabajo de Ontario 833
CO	50 partes por millón	
CO <sub>2</sub>	5000 partes por millón	
NO <sub>2</sub>		
	EE.UU.: Límite superior (Límite de exposición por corto tiempo = 15 minutos)	Canadá: STEL (15 minutos Reglamentación 833/1 hora WSBC) Recomendaciones WorkSafe BC OHS Parte 5.1 y Reglamentaciones para lugares de trabajo de Ontario 833
CO		100 partes por millón
CO <sub>2</sub>		15000 partes por millón (WSBC) 3000 partes por millón (Reg 833)
NO <sub>2</sub>	5ppm	1.0 partes por millón (WorkSafeBC) 5.0 partes por millón (Reg 833)

- Asegúrese de que no obstruya el flujo de aire necesario para la combustión y para el aire de ventilación.
- A medida que el edificio se vuelve "más cerrado" durante las etapas de construcción, podría ser necesario aumentar la ventilación.

**¡NUNCA DEJE EL CALENTADOR DESATENDIDO MIENTRAS SE QUEMA!**

# INSTRUCCIONES DE USO Y MANUAL DEL USUARIO

**LEA CUIDADOSAMENTE LAS INSTRUCCIONES:** lea y siga todas las instrucciones. Conserve estas instrucciones en un lugar seguro para futura referencia. No permita que nadie que no haya leído estas instrucciones arme, encienda, ajuste o use el calentador.

**HEATSTAR**

MODELO

HS35LP



## ADVERTENCIA:

USE SOLAMENTE REPUESTOS DEL FABRICANTE. EL USO DE CUALQUIER OTRA PIEZA PODRÍA CAUSAR HERIDAS O LA MUERTE. LOS REPUESTOS ESTÁN DISPONIBLES ÚNICAMENTE EN LA FÁBRICA Y DEBEN SER INSTALADOS POR UNA AGENCIA DE SERVICIO CALIFICADA.

## INFORMACIÓN PARA ORDENAR REPUESTOS:

**COMPRAS:** Puede comprar accesorios en cualquier distribuidor local de HeatStar o directamente de la fábrica.

### SI DESEA OBTENER INFORMACIÓN ACERCA DE REPARACIONES

Llame sin cargo al 866-447-2194

[www.mrheater.com](http://www.mrheater.com) • [www.heatstarbyenerco.com](http://www.heatstarbyenerco.com)

Nuestro horario de trabajo es de 8:00 a. m. a 5:00 p. m., hora del este, de lunes a viernes. Incluya el número de modelo, la fecha de compra y la descripción del problema en todas sus comunicaciones.

## GARANTÍA

HEATSTAR by ENERCO garantiza que los calentadores infrarrojos fabricados y vendidos estarán libres de defectos de materiales y de mano de obra.

Las piezas, los controles, etc. suministrados por HEATSTAR by ENERCO tendrán un (1) año de garantía sobre las garantías correspondientes de los proveedores.

La única responsabilidad de HEATSTAR by ENERCO en virtud de esta garantía será la de reemplazar o reparar toda pieza que sea reclamada por escrito ante HEATSTAR by ENERCO en el plazo de esta garantía, la cual se envíe a solicitud a HEATSTAR by ENERCO - F.O.B. Cleveland, Ohio – o F.O.B. a cualquier centro de reparaciones autorizado de HEATSTAR by ENERCO y que se compruebe que está defectuosa luego de ser inspeccionada por HEATSTAR by ENERCO.

Esta garantía no cubre ninguna pieza ni producto que haya sido usado incorrectamente o con negligencia, dañado por accidente o que se haya arruinado por una instalación inadecuada. ESTA GARANTÍA EXPRESA REEMPLAZA TODAS Y CADA UNA DE LAS GARANTÍAS EXISTENTES, EXPRESAS O IMPLÍCITAS, y cualquier otra responsabilidad de Enerco Technical Products sobre las piezas o los productos vendidos por HEATSTAR by ENERCO, incluidos los daños consecuentes o especiales.

HEATSTAR by ENERCO se reserva el derecho a hacer cambios en cualquier momento, sin previo aviso, en los colores, las especificaciones, los accesorios, materiales y modelos.

REGISTRO DE PRODUCTO: Gracias por su compra.

Por favor entre al sistema a <http://www.egiregistration.com> para registrar su producto.

HEATSTAR by ENERCO, 4560 W. 160TH ST., CLEVELAND, OHIO 44135 • 866-447-2194  
Enerco y Mr. Heater son marcas registradas de Enerco Group, Inc.  
© 2019, Enerco Group, Inc. Todos los derechos reservados.

