

**NEVER LEAVE THE HEATER UNATTENDED WHILE BURNING!**



# OPERATING INSTRUCTIONS AND OWNER'S MANUAL

MODEL#  
HSP60R HSP125R  
HSP150R

**READ INSTRUCTIONS CAREFULLY:** YOUR SAFETY IS IMPORTANT TO YOU AND TO OTHERS. Read and follow all instructions. Place instructions in a safe place for future reference. Do not allow anyone who has not read these instructions to assemble, light, adjust or operate the heater.

## PORTABLE INDUSTRIAL OIL-FIRED RADIANT HEATERS



HSP60R



HSP125R/HSP150R

**⚠ WARNING:** If the information in this manual is not followed exactly, a fire or explosion may result causing property damage, personal injury, or loss of life.

- Do not store or use gasoline or other flammable vapors and liquids in the vicinity of this or any other appliance.
- Service must be performed by a service agency.

**⚠ WARNING:** Improper adjustment, alteration, service or maintenance can cause injury or property damage. Refer to this manual for correct installation and operational procedures. For Assistance or additional information consult a service agency.

**⚠ WARNING:** This is a target infrared portable heater. It uses air (oxygen) from the area in which it is used. Provisions for adequate combustion and ventilation air must be provided. Refer to "FRESH AIR AND VENTILATION" on page 4.

**⚠ IMPORTANT:** READ THIS OWNER’S MANUAL CAREFULLY AND COMPLETELY BEFORE TRYING TO ASSEMBLE, OPERATE, OR SERVICE THIS HEATER. IMPROPER USE OF THIS HEATER CAN CAUSE SERIOUS INJURY OR DEATH FROM BURNS, FIRE, EXPLOSION, ELECTRICAL SHOCK, AND/OR CARBON MONOXIDE POISONING.

**⚠ GENERAL HAZARD WARNING:**  
ONLY PERSONS WHO CAN UNDERSTAND AND FOLLOW THE INSTRUCTIONS SHOULD USE OR SERVICE THIS HEATER.

**⚠ WARNING:** FIRE, BURN, INHALATION, AND EXPLOSION HAZARD. KEEP SOLID COMBUSTIBLES, SUCH AS BUILDING MATERIALS, PAPER, OR CARDBOARD A SAFE DISTANCE AWAY FROM THE HEATER. AS RECOMMENDED BY THE INSTRUCTIONS NEVER USE THE HEATER IN SPACES WHICH DO OR MAY CONTAIN VOLATILE OR AIRBORNE COMBUSTIBLES, OR PRODUCTS SUCH AS GASOLINE, SOLVENTS, PAINT THINNER, DUST PARTICLES, OR UNKNOWN CHEMICALS.

**⚠ DANGER:** CARBON MONOXIDE POISONING MAY LEAD TO DEATH. USING A PORTABLE HEATER IN AN ENCLOSED AREA CAN PRODUCE DEADLY CARBON MONOXIDE.

**CARBON MONOXIDE POISONING:**  
Early signs of carbon monoxide poisoning resemble the flu, with headaches, dizziness, or nausea. If you have these signs, the heater may not be working properly. Get fresh air at once! Have heater serviced. Some people are more affected by carbon monoxide than others. These include pregnant women, persons with heart or lung disease or anemia, those under the influence of alcohol, and those at high altitudes.

**⚠ WARNING:** NOT FOR HOME OR RECREATIONAL VEHICLE USE

**THE STATE OF CALIFORNIA REQUIRES THE FOLLOWING WARNING:**

**⚠ WARNING:** This product can expose you to chemicals including lead and lead compounds, which are known to the State of California to cause cancer and birth defects or other reproductive harm. For more information visit [www.P65Warnings.ca.gov](http://www.P65Warnings.ca.gov)

**CONTENTS**

HAZARD WARNINGS ..... 2  
SPECIFICATIONS ..... 3  
CLEARANCES TO COMBUSTIBLES ..... 3  
PRECAUTIONS ..... 3  
UNPACKING & ASSEMBLY ..... 4  
FRESH AIR AND VENTILATION ..... 4  
OPERATION ..... 5  
TRANSPORTATION ..... 6  
STORAGE ..... 6  
CONTROL AND SAFETY DEVICES ..... 6  
MAINTENANCE ..... 6  
TROUBLESHOOTING: ..... 8  
PARTS LIST AND DIAGRAM ..... 10  
WIRING DIAGRAM ..... 12

**CONTACT INFORMATION**

RETAIN THIS MANUAL FOR FUTURE REFERENCE.  
FOR QUESTIONS, PROBLEMS, MISSING PARTS BEFORE RETURNING TO RETAILER PLEASE CALL WITH MODEL NUMBER AND SERIAL NUMBER OF HEATER:

866-447-2194

MONDAY-FRIDAY 8-5 EASTERN TIME  
OR E-MAIL USING THE HEATSTAR WEBSITE:  
**[WWW.HEATSTARBYENERGO.COM](http://WWW.HEATSTARBYENERGO.COM)**

In order to provide the best service possible HEATSTAR is now giving you more ways to get in touch with us. Find informational videos at:

 YouTube: [youtube.com/heatstarTV](http://youtube.com/heatstarTV)

HEATSTAR’S full line of product are now at:  
**[WWW.HEATSTARBYENERGO.COM](http://WWW.HEATSTARBYENERGO.COM)**

**SPECIFICATIONS**

<b>MODEL</b>	<b>HSP60R</b>	<b>HSP125R/HSP150R</b>
Heat Input	58 kBTU/hr	Low: 95 kBTU/hr / 102 kBTU/hr High: 126 kBTU/hr / 150 kBTU/hr
Fuel Types	<ul style="list-style-type: none"> <li>• #1 or #2 Fuel Oil</li> <li>• K-1 Kerosene</li> </ul>	<ul style="list-style-type: none"> <li>• #1 or #2 Fuel Oil</li> <li>• K-1 Kerosene</li> </ul>
Fuel Consumption	0.43 gal/hr	Low: .67 gal/hr / 0.72 gal/hr High: .89 gal/hr / 1.06 gal/hr
Tank Capacity	2.9 gal	14 gal
Danfoss Nozzle	Capacity: 0.40 gal/hr Spray Angle: 80° Spray Pattern: Solid	Capacity: 0.65 gal/hr / 0.75 gal/hr Spray Angle: 80° Spray Pattern: Solid
Pump Pressure	140 psi	Low: 140 psi High: 200psi
Power Supply	1 Phase, 120V, 60Hz, 1.25A	1 Phase, 120V, 60Hz, 1.25A
Dimensions	24" x 15" x 23"	37.5" x 27.5" x 39.5"
Dry Weight	39 lb	110 lb
Full Weight (Diesel):	60 lb	210 lb

IF YOU NEED ASSISTANCE OR HEATER INFORMATION SUCH AS AN INSTRUCTIONS MANUAL, LABELS, ETC. CONTACT THE MANUFACTURER.

**CLEARANCES TO COMBUSTIBLES**

Clearances between these HEATSTAR PRO radiant heaters and adjacent combustible material (which is part of the building or its contents) shall not be less than:

- Top: 5ft (1.5m)
- Sides: 5ft (1.5m)
- Front: 8ft (2.5m)

**THEORY OF OPERATION**

These HEATSTAR PRO radiant heaters run on diesel fuel. Unlike convection heaters, which blow hot air into the room to circulate, an infrared heater uses radiation to efficiently heat bodies that the heater is pointed at. Airflow, supplied by the internal burner fan, is necessary to ensure proper combustion. The fuel flow is controlled by an electric pump, which sucks the fuel up from the tank and moves it to the nozzle under high pressure. Combustion heats a ceramic insulation chamber which aims directional infrared heat in the direction which the heater is pointing.

**PRECAUTIONS**

**Caution:** When using Thermostat, heater can start unexpectedly. Turn heater off when unattended.

- ⚠ WARNING:**
- DO NOT USE GASOLINE, NAPHTHA OR VOLATILE FUELS.
  - STOP HEATER BEFORE ADDING FUELS.
  - ALWAYS FILL OUTDOORS AWAY FROM OPEN FLAME
  - DO NOT OPERATE HEATER WHERE FLAMMABLE LIQUIDS OR VAPORS MAY BE PRESENT
  - DO NOT START HEATER WHEN EXCESS FUEL HAS ACCUMULATED IN THE CHAMBER
  - DO NOT PLACE COOKING UTENSILS ON TOP OF THE HEATER.
  - PLUG ELECTRICAL CORD INTO A PROPERLY GROUNDED THREE-PRONG RECEPTACLE.

# NEVER LEAVE THE HEATER UNATTENDED WHILE BURNING!

## Please observe the following precautions when operating your HEATSTAR product.

1. Check the heater thoroughly for damage. DO NOT operate a damaged heater.
2. Only a qualified service person should service and repair heater.
3. Before using the heater, read and understand all instructions and follow them carefully. The manufacturer is not responsible for damages to goods or persons due to improper use of units.
4. Operate only on a stable, level surface.
5. Position the heater such that it is not directly exposed to water spray, rain and/or dripping water. Heater intended for dry ambient use only.
6. Not suitable for operation with external tank.
7. Check that fire-fighting equipment is available and suitable to the potential of the heater.
8. The use of the unit shall be in accordance with the regulations and legislation of authorities having jurisdiction.
9. Make sure heater is always under surveillance and keep children and animals away from it.
10. Do not operate the unit in close proximity to combustible surfaces or materials.
11. Heaters used near tarpaulins, curtains or other similar covering materials must be kept at a safe distance. It is advised to use fire-proof covering material.
12. Only use heaters in well-ventilated areas. Set-up a suitable open and ventilated area, with the purpose of introducing fresh air from outdoors, in compliance with the current safety standards. This is necessary to prevent a deficiency in oxygen supply. Refer to "FRESH AIR AND VENTILATION" on page 4 for specific details.
13. Heaters must be powered only with the correct voltage and frequency values as specified on the heater's identification plate or specifications table.
14. Keep all air inlet (rear) and air outlet (front) clear, free of debris or any blockage.
15. Do not start the heater when the chamber is hot.

16. Do not attempt to use heater to cook or warm food.
17. Use original spare parts when replacing the burner, strictly complying with indications regarding capacity, type of nozzles and pump pressure. An increase in burner power could damage the heater.
18. Turn off and unplug heater and let cool before servicing or transporting.
19. Unplug heater when not in use.

## UNPACKING & ASSEMBLY

**WARNING:** The packaging material is not a toy. Keep the plastic bag out of the reach of children; danger of suffocation!

### UNPACKING

1. Remove all protective material which may have been applied to the heater for shipment.
2. Remove all the components from the box.
3. Check the heater for possible shipping damage. If any damage is found immediately contact the manufacturer at 866-447-2194.

### HSP60R ASSEMBLY

The HSP60R is packaged with a handle and 2 attachment screws. Use the screws to fasten the handle to the top of the unit. Note: Do not over tighten the screws as they can crack the handle.

### HSP60R WHEEL KIT F105156

The HSP60R can be attached to optional wheel kit **F105156**, not included. The wheels and bar handles provide an additional method of convenient handling and transport of the unit, and keeping the fuel tank raised helps prevent rough terrain from potentially damaging the base of fuel tank. Instructions for attachment of HSP60R to the trolley are provided in the kit.

## FRESH AIR AND VENTILATION

A rough estimate of minimum opening for ventilation to support heater operation is 1in<sup>2</sup> for each 1,000 BTU of the heater. Please refer to the table below to determine the approximate minimum required opening for ventilation of space containing the heater unit.

FRESH AIR REQUIREMENTS	
HSP60R	0.48 ft <sup>2</sup>
HSP125R/150R (low)	0.66 ft <sup>2</sup>
HSP125R/150R (high)	0.875 ft <sup>2</sup>

# NEVER LEAVE THE HEATER UNATTENDED WHILE BURNING!

## OPERATION

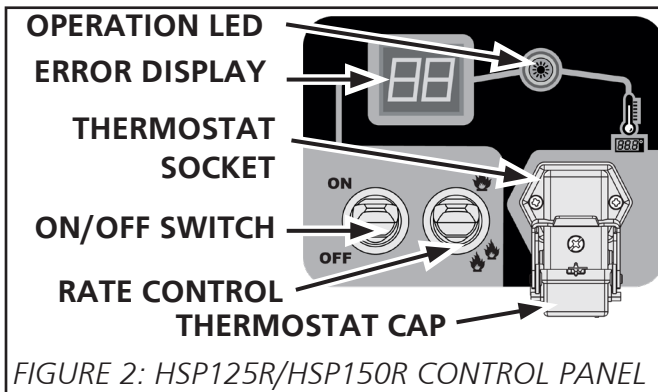
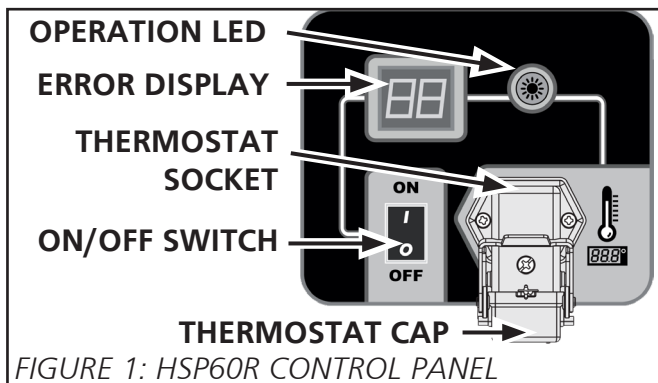
### BEFORE SWITCHING HEATER ON

Before any attempt of starting the heater is made, familiarize yourself with warnings, specifications and precautions page 2 - 4.



- Check that the fuel is appropriate. Check that there is sufficient fuel in the fuel tank by reading the fuel gage embedded near the fuel filter. If not already closed, close the tank cap by rotating it clockwise. It is recommended to use winter diesel oil below ambient temperatures of 41 °F.
- Check that minimum safety clearances from combustibles, page 3, is achieved in all directions
- Check that your electrical supply and any extension cable can meet the requirements listed in the specifications table.

**⚠WARNING:** Not suitable for use on wood floors or other combustible materials.

**⚠WARNING:** We cannot anticipate every use which may be made of our heaters. CHECK WITH YOU LOCAL FIRE SAFETY AUTHORITY IF YOU HAVE QUESTIONS ABOUT APPLICATIONS.



### TURNING ON THE HEATER

Refer to Figure 1 for the layout of the HSP60R, and Figure 2 for the layout of the HSP125R/ HSP150R control panels. The heater turns on by flipping the power switch from "OFF" to "ON". The burner box will begin firing, which will heat up the combustion chamber. Within 30 seconds the blower fan will activate. The HSP125R/ HSP150R may be toggled between low rate, , 95,000 BTU/hr (HSP125R)/102,000 BTU/hr (HSP150R) and high rate, , 126,000 BTU/hr (HSP125R)/150,000 BTU/hr (HSP150R). These settings are controlled by the rate control switch, adjacent to the ON/OFF switch.

### THE EXTERNAL THERMOSTAT SOCKET

The heater can only work automatically when a control device, such as a thermostat or a timer, is connected to the heater. **F105106**, a 33ft digital Thermostat, and **F105108**, a 33ft analog thermostat are both approved for use by the manufacturer. Connection to the heater is made by removing the thermostat socket cap and connecting the room thermostat to the socket. If no room thermostat will be connected the cap must be inserted into the socket.

### SWITCHING OFF THE HEATER:

The heater turns off by flipping the power switch from "ON" to "OFF". The burner box will turn off, and the fan will continue running to cool off the burner box. Do not unplug the heater until this cooling cycle has totally ended. This may take up to 5 minutes. Once the heater has completely cooled down and the unit is unplugged, ensure that the fuel tank cap is properly closed to prevent fuel leakage during transport and/or storage. To keep the heater in the best possible conditions, store the heater in a dry and safe place after carrying out the procedure in "CLEANING THE FUEL TANK" on page 7.

### RESETTING THE HEATER

The appliance stops when an anomaly occurs. If the reset button turns on with a steady red light it means the heater needs to be reset. To reset the heater, press the reset button all the way down. Identify and remove the cause that stopped the appliance (for instance, obstruction of air intake and/or outlet, obstruction to the free rotation of fan, etc.). Please contact an appointed service center for assistance.

## TRANSPORTATION

Before heater is moved it must be stopped and unplugged. Before moving the heater wait until it has totally cooled off and make sure fuel tank cap is securely fixed.

### HSP125R/HSP150R TRANSPORTATION FEATURES

The HSP125R/HSP150R can be easily handled by the wheels and handles. To maneuver the heater more easily:

- Release the handles from their closed position (pull the locking pins outwards, Figure 3)
- Lock the handles in a handling position.
- Move the heater by lifting the handles and making it roll on its wheels.
- After the heater has been moved into desired position, put the handles back into their closed position.

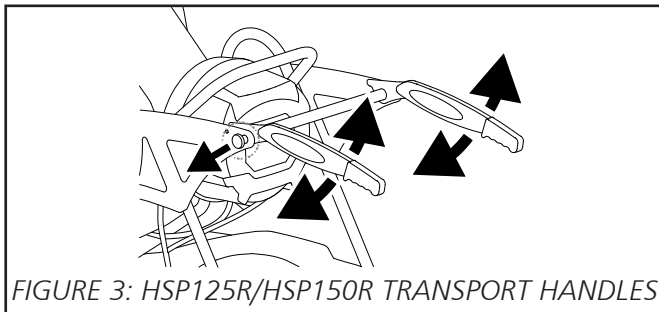


FIGURE 3: HSP125R/HSP150R TRANSPORT HANDLES

It is possible to lift and move the heater from the specified anchoring points:

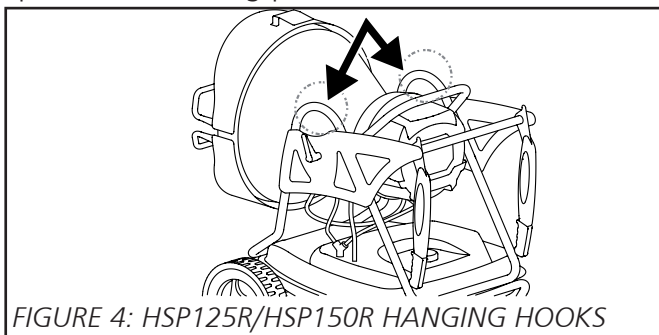


FIGURE 4: HSP125R/HSP150R HANGING HOOKS

### HSP60R TRANSPORTATION FEATURES

The handle on top of the HSP60R barrel is suitable for convenient carry by hand. Accessory **F105156** is an optional wheel kit for the HSP60R approved by the manufacturer.

## STORAGE

IN ORDER TO KEEP THE HEATER IN THE BEST POSSIBLE CONDITIONS, WE RECOMMEND FOLLOWING THE PROCEDURE BELOW:

Clean the fuel tank by the method described in "MAINTENANCE" on page 6.

Place the heater in a dry place away from potential external damage.

## CONTROL AND SAFETY DEVICES

### FLAME CONTROL EQUIPMENT

The electronic control box coordinates the operation between the fuel solenoid valve, which blocks or allows flow of fuel to the spray nozzle, and the photocell, which detects the light intensity (or absence) of a flame. The coordination of flame brightness and fuel control allows for stable flame conditions.

### ELECTRODES

Fastened directly on the plate of the combustion chamber, the generated spark between electrodes ignites the fuel mixture.

### SAFETY THERMOSTAT

The high limit safety thermostat blocks machine operation when malfunctioning occurs. The safety thermostat is normally a closed electrical switch.

## MAINTENANCE

Adherence to the preventive maintenance schedule on page 7 will ensure a long trouble free life to your heater.

### **⚠ WARNING:**

Never service heater while it is plugged in, operating or hot. Severe burns or electrical shock can occur.

COMPONENT	MAINTENANCE FREQUENCY	MAINTENANCE PROCEDURE
Fuel tank	Clean every 150-200 hours of operation or when necessary	Empty and rinse the tank with clean fuel (see below)
Fuel filters	Clean or replace twice per season or as required (make sure they are intact)	Clean fuel filter(s) with clean fuel (see below)
Nozzle	Clean or replace once per season or as required (make sure they are intact)	Contact a technical service center. Service of these components should only be performed by a qualified serviceman. Qualified service professionals may contact the manufacturer for a service manual.
Photocell	Clean once per season or when necessary	
Ignition device	Clean or replace every 1,000 hours of operation or when necessary	
Fan blades	Clean as required	

**CLEANING THE FUEL TANK (HSP125R/HSP150R)**

Empty any fuel already in the tank by setting up an appropriate container for catching the fuel below the drain plug under the heater. Remove the 3/4 inch round head drum plug drain cap at the bottom of the tank (Figure 5) and catch the fuel. Remove any residue in the fuel tank by pouring in clean fuel and rinsing the tank again. Dispose of the fuel in an appropriate container in accordance with the current safety regulations. Reattach the drain plug and the fuel tank cap.

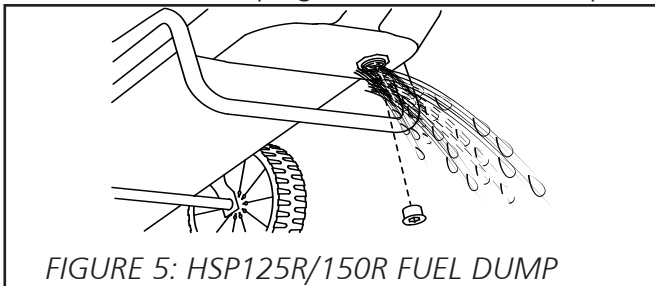


FIGURE 5: HSP125R/150R FUEL DUMP

**CLEANING THE INTAKE FUEL FILTER (HSP125R/HSP150R)**

The filter assembly (Figure 6) of the HSP125R/ HSP150R model can be cleaned by the following procedure:

- Unscrew the fuel filter cup A.
- Take out the filter B from the cup. Keep gaskets C for later use.
- Clean the filter B with clean fuel and compressed air, without damaging it.
- Put the filter back in the cup
- Put the cup back on, reassembling the gaskets correctly.

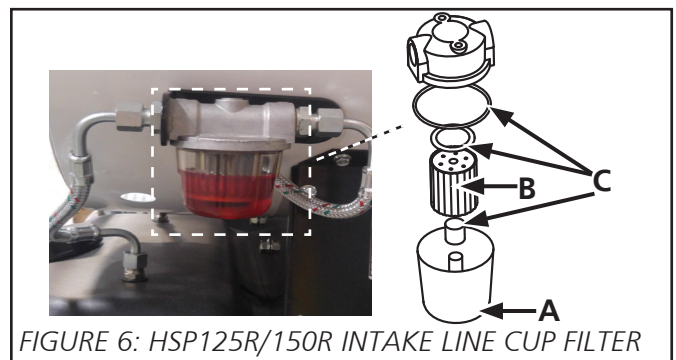


FIGURE 6: HSP125R/150R INTAKE LINE CUP FILTER

**CLEANING THE FUEL TANK (HSP60R)**

Empty any fuel already in the tank by setting up an appropriate container for catching the fuel, then remove the fuel tank cap and fuel tank filter and tip the unit such that the tanks contents are poured into the disposal container. Remove any residue in the fuel tank by pouring in clean fuel and rinsing the tank again. Dispose of fuel in an appropriate container in accordance with the current safety regulations. Reinsert the fuel tank filter and fuel tank cap.

**CLEANING THE FUEL TANK FILTER**

- (Figure 7) Remove fuel tank cap A
- Take the filter B out from the tank
- Clean the filter with clean fuel, without damaging it
- Put the filter back into the tank
- Close the cap.

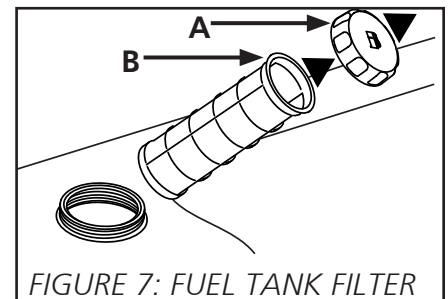


FIGURE 7: FUEL TANK FILTER

**TROUBLESHOOTING: DISPLAY ERRORS**

ERROR CODE / TYPE	POSSIBLE CAUSE	REMEDY
F0 / OPERATION ERROR	The "ON/OFF" switch is turned "ON" (I) when the heater is plugged in	After disconnecting the heater, see that the switch is in the "OFF" (O) position, plug the heater in and turn the switch "ON" (I)
F1 / PHOTOCCELL ERROR	No Fuel	Turn the switch "OFF" (O) then refill the fuel tank
	Fuel is contaminated	Turn the switch "OFF" (O). Clean the filter using clean fuel then empty and refill the fuel tank. See "MAINTENANCE" on page 6.
	Photocell is dirty or damaged	Contact the technical service center
	Fuel filter is dirty	See "MAINTENANCE" on page 6.
	Ignition error	Contact the technical service center
F2 / TEMPERATURE CONTROL SENSOR ERROR	Interrupted cable	Contact the technical service center
	Sensor is damaged	Contact the technical service center
F3 / THERMOSTAT ERROR	Internal heater overheating	Turn the heater off, wait until it is cooled down.
	Anti-tilting sensor activation	Place the heater on a level and stable surface
F4 / INCORRECT VOLTAGE	Incorrect voltage	Check voltage of electric supply system
FF / NO SWITCH-ON AFTER THREE ATTEMPTS	No fuel	1) Turn the switch to the "OFF" (O) position. 2) Push the RESET button. 3) UNPLUG the heater. 4) Plug the heater in, then follow normal start up procedure. If unit remains inoperative contact technical service center.
	Dirty fuel filter	
	Dirty or defective photocell	
	Dirty or defective nozzle	
	Anti-tilting sensor trip	

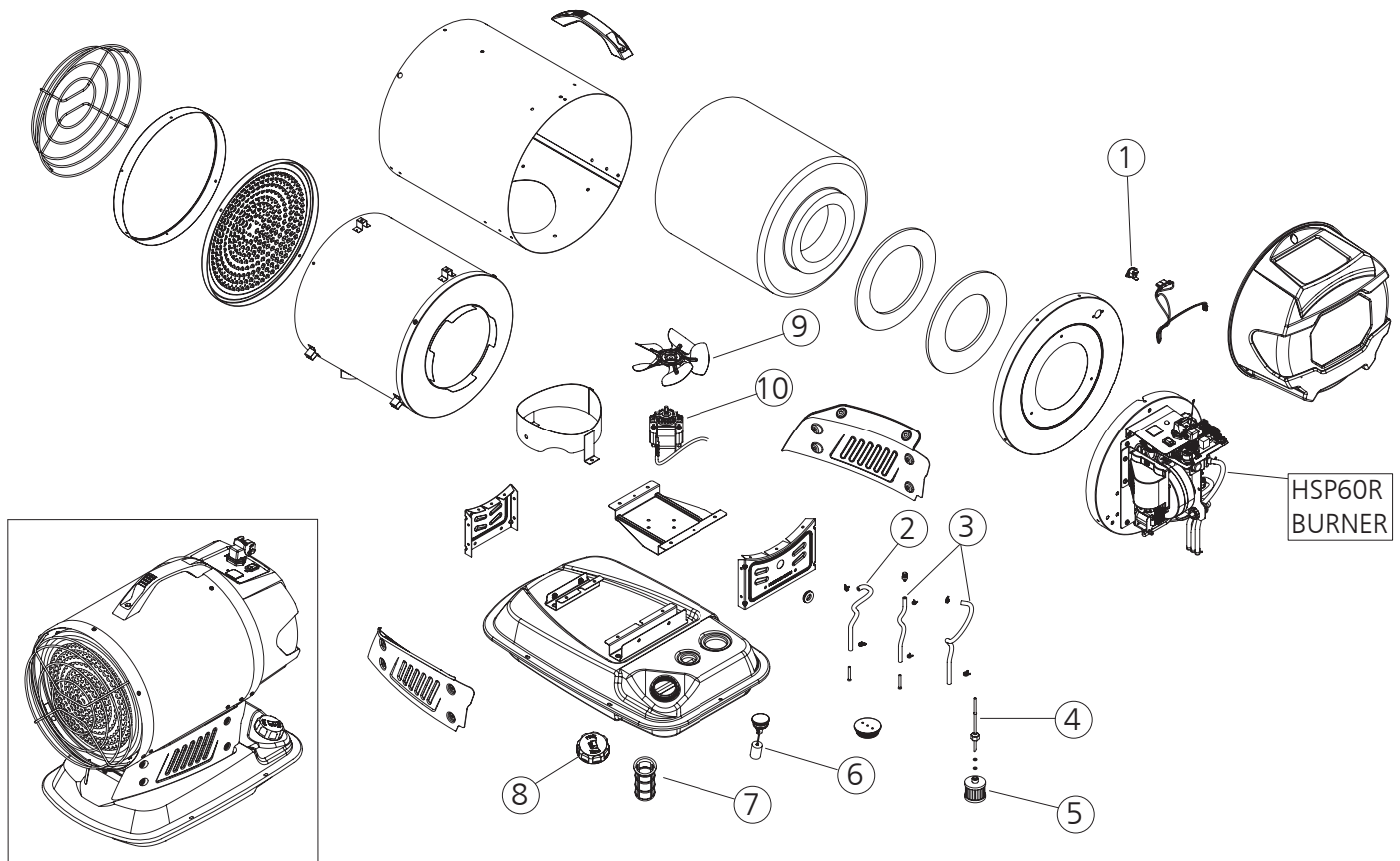


**TROUBLESHOOTING CONTINUED: DEFICIENT BEHAVIOR**

PROBLEM	POSSIBLE CAUSE	POSSIBLE SOLUTION
HEATER DOESN'T RUN	Safety Control Activated	1. Reset the heater 2. Identify the display error and correct, see "DISPLAY ERRORS" on page 8.
	The power switch is in the "OFF" (O) position	Turn the switch "ON" (I)
	No power	1. Insert the power plug into the extension cord correctly. 2. Check voltage of your electric supply system. 3. Remove control panel and check fuse
	Wrong thermostat setting	Set the thermostat to a temperature higher than the ambient room temperature
	Temperature sensor override	1. Wait at least ten minutes then attempt normal start up procedure. 2. Contact the technical service center.
	Fuse damaged	Contact the technical service center.
Motor and pump runs but the flame does not start	No fuel	Turn off the heater, refill the fuel tank, then restart the heater
	Ignition Device is dirty	Contact the technical service center
	Fuel filter is dirty	Clean the filter using clean fuel, see "MAINTENANCE" on page 6.
	Nozzle is dirty	Contact the technical service center
	Photocell is dirty, damaged or installed improperly.	Contact the technical service center
	External substances present in the tank	Empty and refill the fuel tank with clean fuel, see "MAINTENANCE" on page 6
	Electrodes are used up or placed at an improper distance	Contact the technical service center
Flan blocked or spins too slowly	Engine damaged	Contact the technical service center

**NEVER LEAVE THE HEATER UNATTENDED WHILE BURNING!**

**PARTS LIST AND DIAGRAM  
HSP60R**



#	P/N	PART DESCRIPTION
1	51050	SAFETY THERMOSTAT
2	51261	FUEL LINE
3	51201	FUEL LINE
4	51227	FUEL LINE + NUT
5	51240	FUEL FILTER
6	51226	FUEL GAUGE
7	51243	TANK FILTER
8	51141	TANK CAP
9	51202	FAN
10	51234	VENTILATION MOTOR

NOTE: Not all parts available. For questions contact manufacturer.

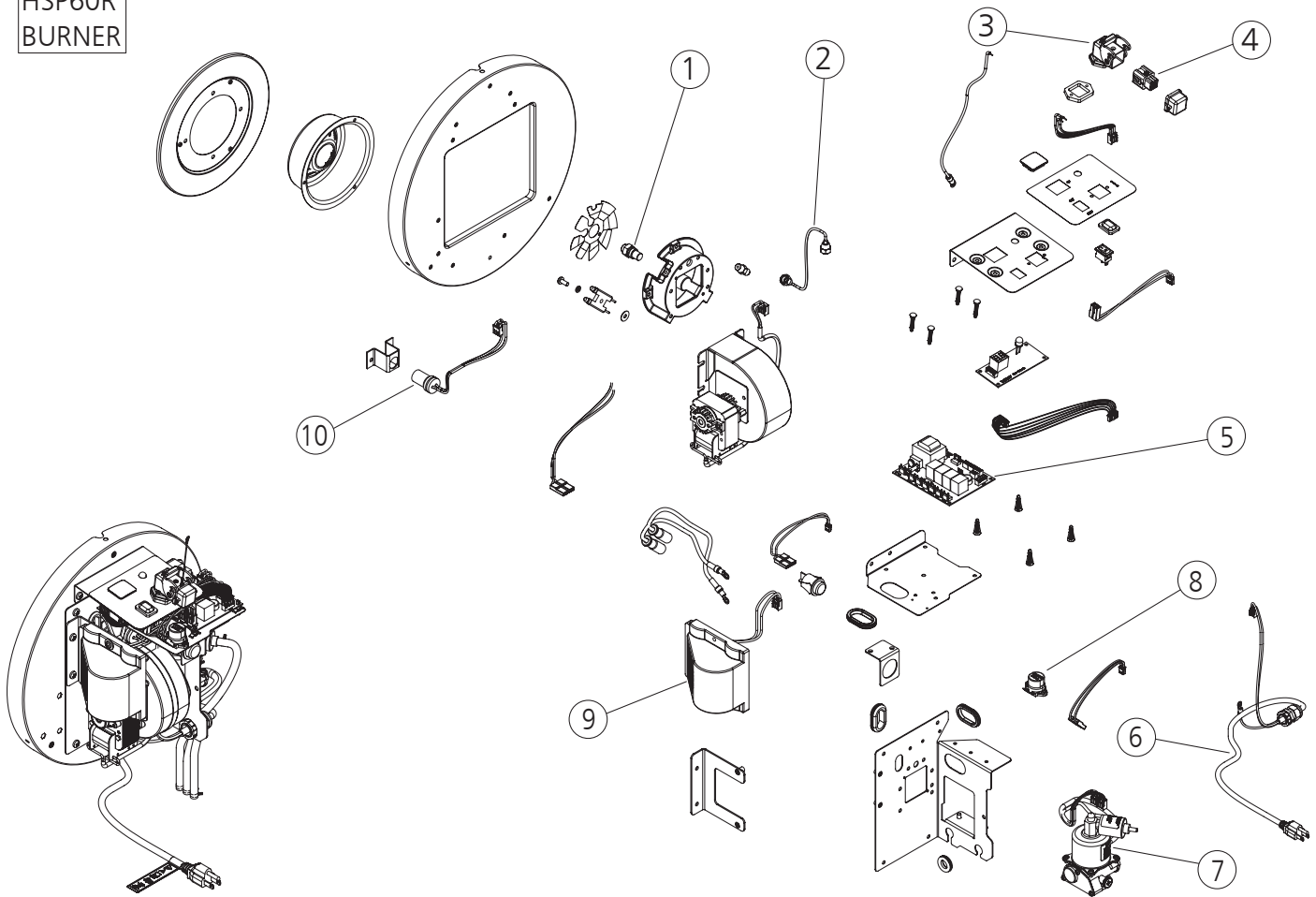
**⚠WARNING:** Failure to position the parts in accordance with these diagrams or failure to use only parts specifically approved with this heater may result in property damage or personal injury.

**NEVER LEAVE THE HEATER UNATTENDED WHILE BURNING!**

**PARTS LIST AND DIAGRAM**

**HSP60R**

HSP60R  
BURNER



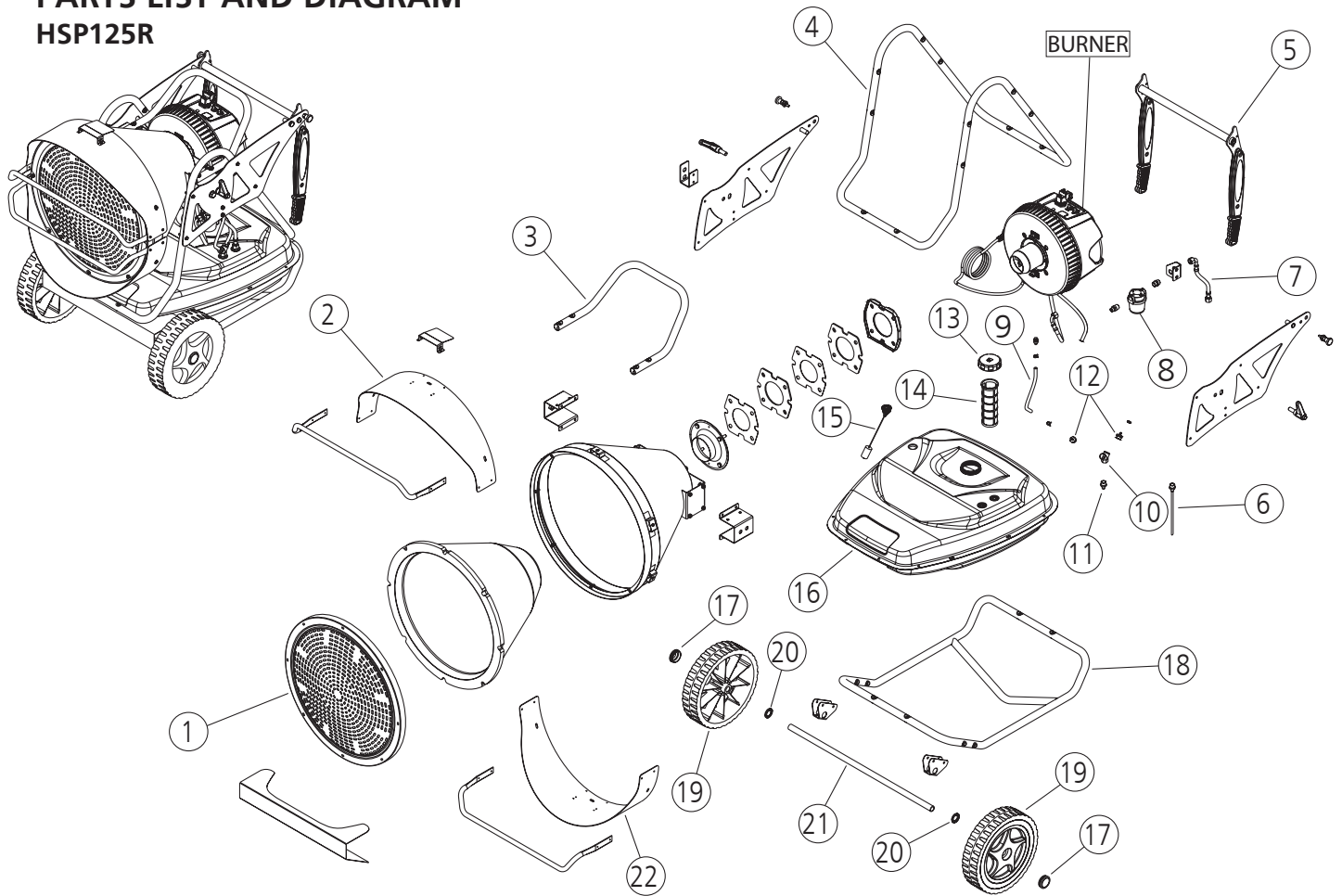
#	P/N	PART DESCRIPTION
1	51225	NOZZLE
2	51223	FUEL LINE-PUMP-NOZZLE
3	51190	THERMOSTAT SOCKET
4	51191	THERMOSTAT PLUG
5	51220	PC-BOARD
6	51495	POWER CORD
7	51233	PUMP
8	51231	ANTI,TILT,SWITCH
9	51238	HIGH TENSION TRANSFORMER
10	51207	PHOTOCELL

NOTE: Not all parts available. For questions contact manufacturer.

**⚠WARNING:** Failure to position the parts in accordance with these diagrams or failure to use only parts specifically approved with this heater may result in property damage or personal injury.

**NEVER LEAVE THE HEATER UNATTENDED WHILE BURNING!**

**PARTS LIST AND DIAGRAM  
HSP125R**



#	P/N	PART DESCRIPTION
1	51162	RADIATION PLATE
2	51179	PROTECTION SHIELD
3	51182	HANDLE
4	51177	UPPER CHASSIS
5	51175	HANDLES ASSEMBLY
6	51165	FUEL LINE W/FITTING
7	51184	SUCTION LINE-IN-TANK
8	51315	FUEL FILTER
9	51201	FUEL LINE
10	51178	Y FUEL FITTING
11	51166	STRAIGHT ADAPTER

#	P/N	PART DESCRIPTION
12	51496	LINE CLAMPS
13	51134	TANK CAP
14	51242	TANK FILTER
15	51232	FUEL GAUGE
16	51497	TANK
17	51158	WHEEL CAP
18	51176	LOWER CHASSIS
19	51154	WHEEL
20	51156	BLOCK WASHER
21	51181	AXLE
22	51498	PROTECTION SHIELD

NOTE: Not all parts available. For questions contact manufacturer.

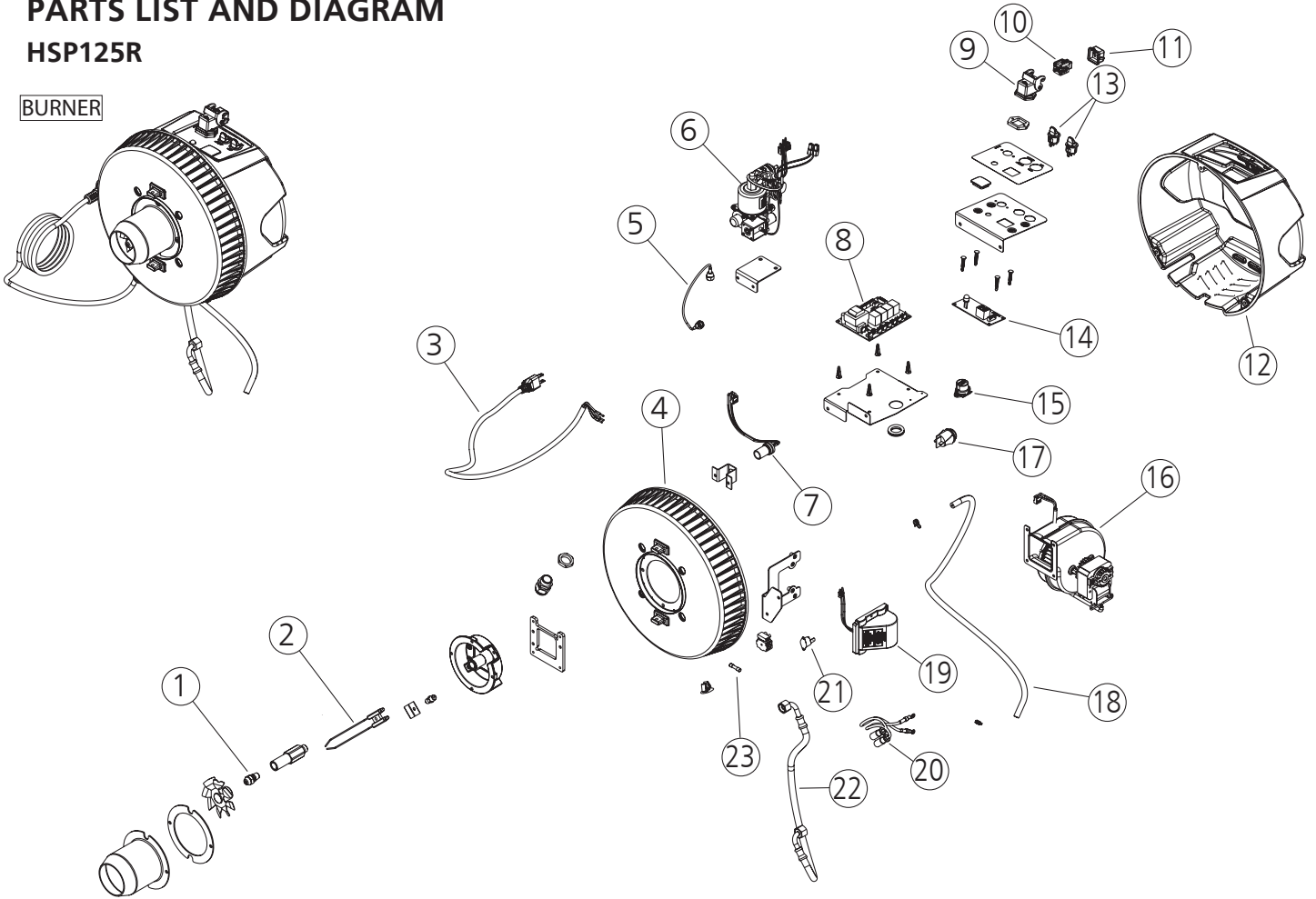
**⚠WARNING:** Failure to position the parts in accordance with these diagrams or failure to use only parts specifically approved with this heater may result in property damage or personal injury.

**NEVER LEAVE THE HEATER UNATTENDED WHILE BURNING!**

**PARTS LIST AND DIAGRAM**

**HSP125R**

**BURNER**



#	P/N	PART DESCRIPTION
1	51295	NOZZLE,0.65GPH,80,S
2	51169	ELECTRODES
3	51499	POWER CORD
4	51500	BURNER FLANGE
5	51223	FUEL LINE-PUMP-NOZZLE
6	51187	FUEL PUMP
7	51207	PHOTOCELL
8	51222	PC-BOARD
9	51190	THERMOSTAT SOCKET
10	51191	THERMOSTAT PLUG
11	51193	THERMOSTAT CAP
12	51314	COVER,BURNER,HSP,150R

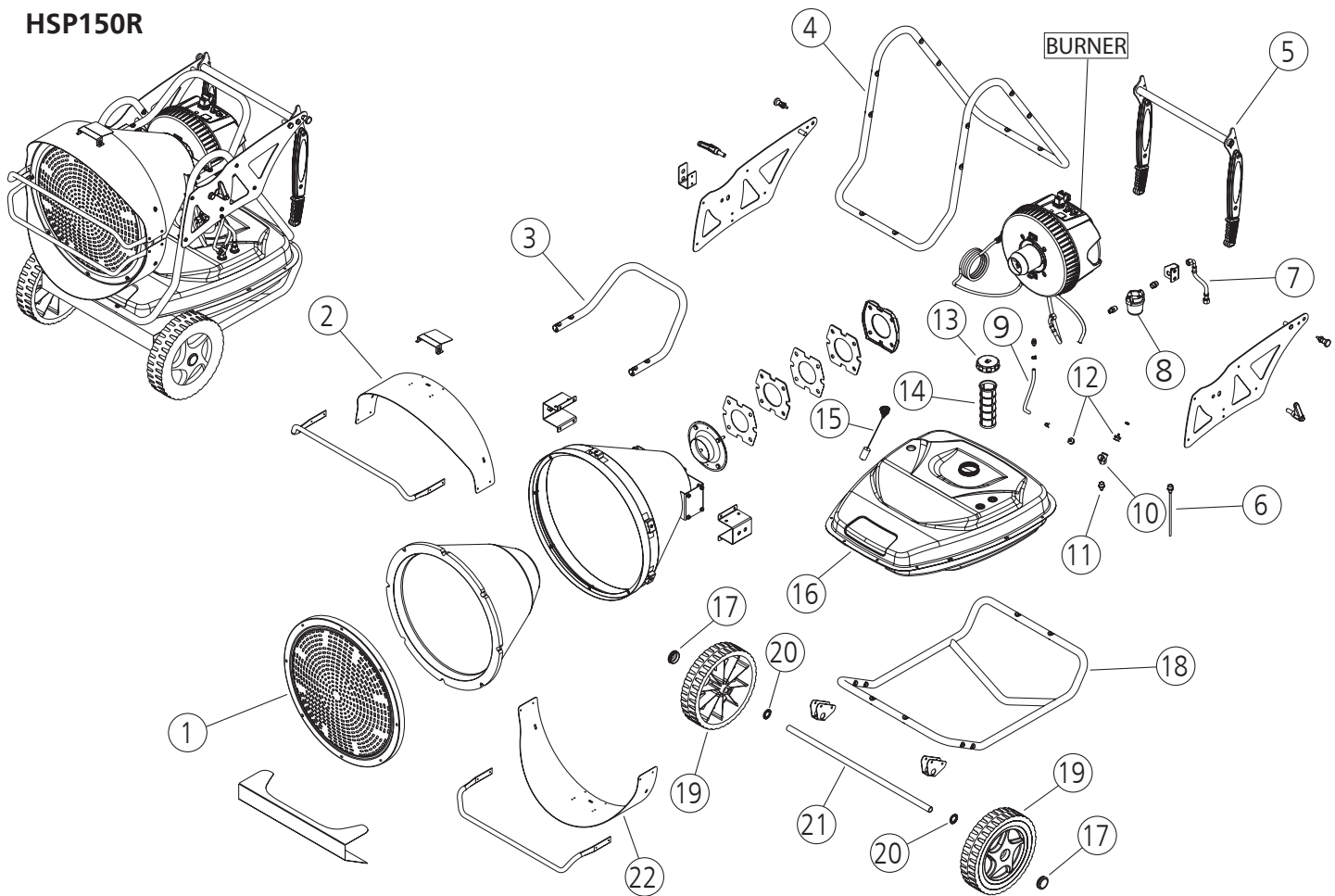
#	P/N	PART DESCRIPTION
13	51095	SWITCH
14	51216	DISPLAY BOARD
15	51231	ANTI,TILT,SWITCH
16	51235	VENTILATION MOTOR
17	51236	RESET SWITCH
18	51167	FUEL LINE-PUMP-TANK
19	51238	HIGH TENSION TRANSFORMER
20	51213	HIGH TENSION TRANS. WIRE
21	51050	SAFETY THERMOSTAT
22	51185	FUEL LINE-FILTER-PUMP
23	51244	FUSE

NOTE: Not all parts available. For questions contact manufacturer.

**⚠WARNING:** Failure to position the parts in accordance with these diagrams or failure to use only parts specifically approved with this heater may result in property damage or personal injury.

**NEVER LEAVE THE HEATER UNATTENDED WHILE BURNING!**

**PARTS LIST AND DIAGRAM  
HSP150R**



#	P/N	PART DESCRIPTION
1	51162	RADIATION PLATE
2	51179	PROTECTION SHIELD
3	51182	HANDLE
4	51177	UPPER CHASSIS
5	51175	HANDLES ASSEMBLY
6	51165	SUCTION LINE W/FITTING
7	51184	FUEL LINE-TANK-FILTER
8	51315	FUEL FILTER
9	51201	FUEL LINE-VENT
10	51178	Y FUEL FITTING
11	51166	STRAIGHT ADAPTER

#	P/N	PART DESCRIPTION
12	51496	LINE CLAMPS
13	51134	TANK CAP
14	51242	TANK FILTER
15	51232	FUEL GAUGE
16	51497	TANK
17	51158	WHEEL CAP
18	51176	LOWER CHASSIS
19	51154	WHEEL
20	51156	BLOCK WASHER
21	51181	AXLE
22	51498	PROTECTION SHIELD

NOTE: Not all parts available. For questions contact manufacturer.

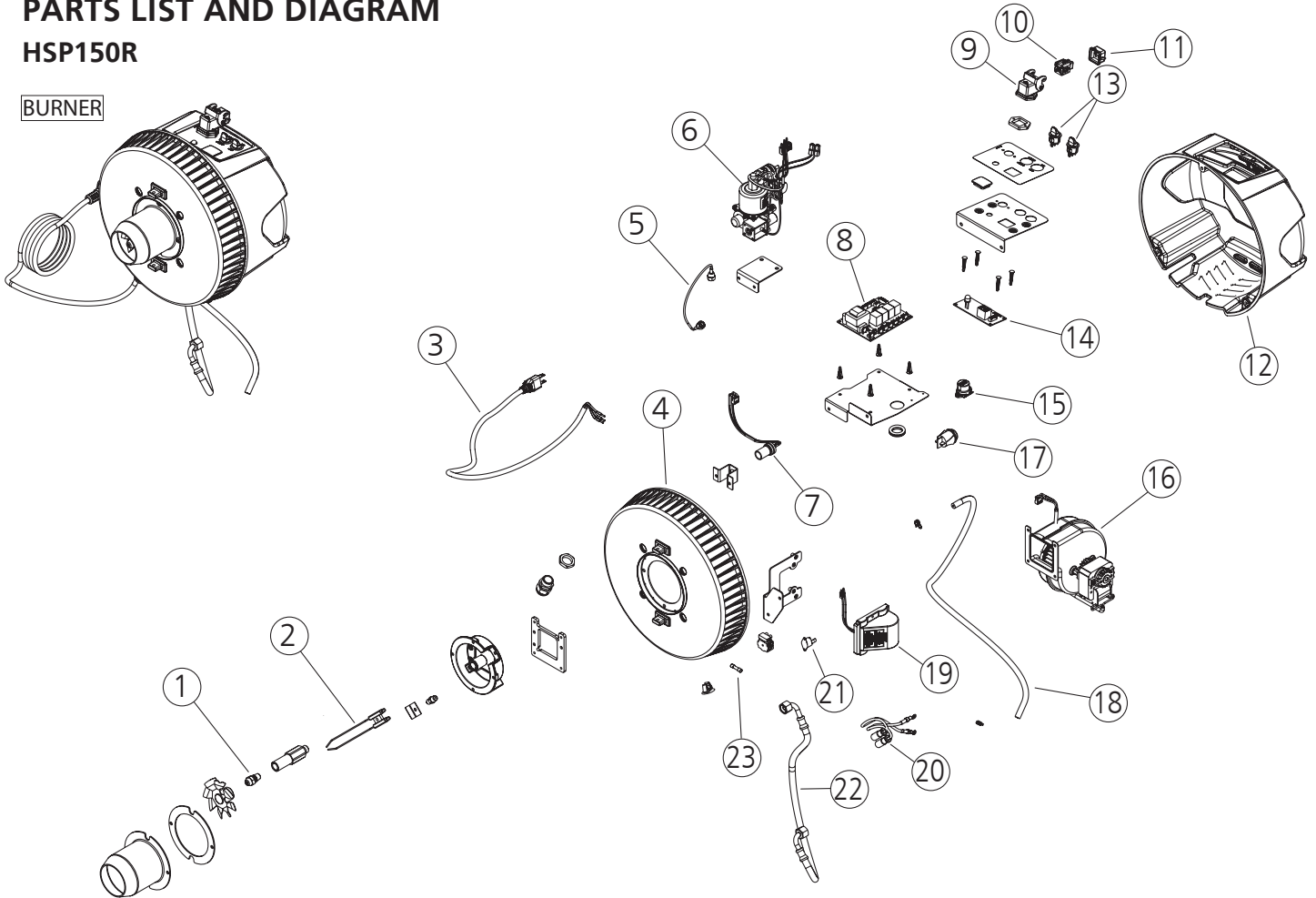
**⚠WARNING:** Failure to position the parts in accordance with these diagrams or failure to use only parts specifically approved with this heater may result in property damage or personal injury.

**NEVER LEAVE THE HEATER UNATTENDED WHILE BURNING!**

## PARTS LIST AND DIAGRAM

### HSP150R

**BURNER**



#	P/N	PART DESCRIPTION
1	51188	NOZZLE
2	51169	ELECTRODES
3	51499	POWER CORD
4	51500	BURNER FLANGE
5	51223	FUEL LINE-PUMP-NOZZLE
6	51187	FUEL PUMP
7	51207	PHOTOCELL
8	51222	PC-BOARD
9	51190	THERMOSTAT SOCKET
10	51191	THERMOSTAT PLUG
11	51193	THERMOSTAT CAP
12	51314	COVER,BURNER,HSP,150R

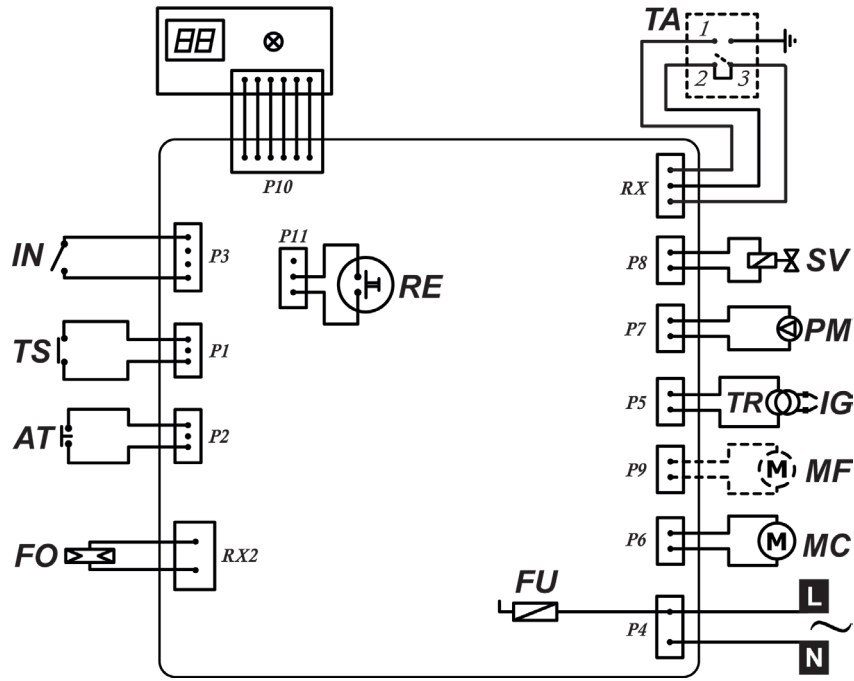
#	P/N	PART DESCRIPTION
13	51095	SWITCH
14	51216	DISPLAY BOARD
15	51231	ANTI,TILT,SWITCH
16	51235	VENTILATION MOTOR
17	51236	RESET SWITCH
18	51167	FUEL LINE-PUMP-TANK
19	51238	HIGH TENSION TRANSFORMER
20	51213	HIGH TENSION TRANS. WIRE
21	51050	SAFETY THERMOSTAT
22	51185	FUEL LINE-FILTER-PUMP
23	51244	FUSE

NOTE: Not all parts available. For questions contact manufacturer.

**⚠WARNING:** Failure to position the parts in accordance with these diagrams or failure to use only parts specifically approved with this heater may result in property damage or personal injury.

**NEVER LEAVE THE HEATER UNATTENDED WHILE BURNING!**

**WIRING DIAGRAM for HSP60R and HSP125R/150R**



- L: Line
- N: Neutral
- MC: Burner motor
- MF: Cooling motor
- PM: Pump
- IG: Ignitor
- TR: Transformer
- SV: Electrovalve
- TA: Ambient Thermostat
- IN: Switch
- TS: Overheat Thermostat
- AT: Anti-tilting switch
- FO: Photocell
- RE: Reset



NOTES:


**NEVER LEAVE THE HEATER UNATTENDED WHILE BURNING!**



# OPERATING INSTRUCTIONS AND OWNER'S MANUAL

MODEL#  
HSP60R HSP125R  
HSP150R

**READ INSTRUCTIONS CAREFULLY:** YOUR SAFETY IS IMPORTANT TO YOU AND TO OTHERS. Read and follow all instructions. Place instructions in a safe place for future reference. Do not allow anyone who has not read these instructions to assemble, light, adjust or operate the heater.



## WARNING:

USE ONLY MANUFACTURER'S REPLACEMENT PARTS. USE OF ANY OTHER PARTS COULD CAUSE INJURY OR DEATH. REPLACEMENT PARTS ARE ONLY AVAILABLE DIRECT FROM THE FACTORY AND MUST BE INSTALLED BY A QUALIFIED SERVICE AGENCY.

## REPLACEMENT PARTS ORDERING INFORMATION:

**PURCHASING:** Accessories may be purchased at any HEATSTAR by Enerco local dealer or direct from the factory

### FOR INFORMATION REGARDING SERVICE

Please call Toll-Free 866-447-2194

WWW.HEATSTARBYENERCO.COM

Our office hours are 8:00 AM – 5:00 PM, EST, Monday through Friday.

Please include the model number, date of purchase, and description of problem in all communication.

## LIMITED WARRANTY

The company warrants this product to be free from imperfections in material or workmanship, under normal and proper use in accordance with instructions of The Company, for a period of one year from the date of delivery to the buyer. The Company, at its option, will repair or replace products returned by the buyer to the factory, transportation prepaid within said one year period and found by the Company to have imperfections in material or workmanship.

If a part is damaged or missing, call our Technical Support Department at 866-447-2194.

Address any Warranty Claims to the Service Department, Enerco Group, Inc., 4560 W. 160TH ST., Cleveland, Ohio 44135. Include your name, address, telephone number, serial number off heater and include details concerning the claim. Also, supply us with the purchase date and the name and address of the dealer from whom you purchased our product.

The foregoing is the full extent of the responsibility of the Company. There are no other warranties, express or implied. Specifically there is no warranty of fitness for a particular purpose and there is no warranty of merchantability. In no event shall the Company be liable for delay caused by imperfections, for consequential damages, or for any charges of the expense of any nature incurred without its written consent. The cost of repair or replacement shall be the exclusive remedy for any breach of warranty. There is no warranty against infringement of the like and no implied warranty arising from course of dealing or usage of trade. This warranty will not apply to any product which has been repaired or altered outside of the factory in any respect which in our judgment affects its condition or operation.

Some states do not allow the exclusion or limitation of incidental or consequential damages, so the above limitation or exclusion may not apply to you. This Warranty gives you specific legal rights, and you may have other rights which vary from state to state.

Enerco Group, Inc. reserves the right to make changes at any time, without notice or obligation, in colors, specifications, accessories, materials and models.

ENERCO Technical Products, Inc., 4560 W. 160TH ST., CLEVELAND, OHIO 44135 • 866-447-2194  
HEATSTAR is a registered trademarks of ENERCO Technical Products, Inc.  
© 2017, ENERCO Technical Products. All rights reserved