



Husqvarna®



580BTS Mark III, 580BFS Mark III

EN	Operator's manual
ES-MX	Manual de usuario
FR-CA	Manuel d'utilisation

2-20
21-42
43-62

Contents

Introduction.....	2	Maintenance.....	14
Safety.....	5	Transportation and storage.....	17
Assembly.....	10	Technical data.....	18
Operation.....	12	Warranty.....	19

Introduction

California Proposition 65

 **WARNING!**

The engine exhaust from this product contains chemicals known to the State of California to cause cancer, birth defects or other reproductive harm.

Product description

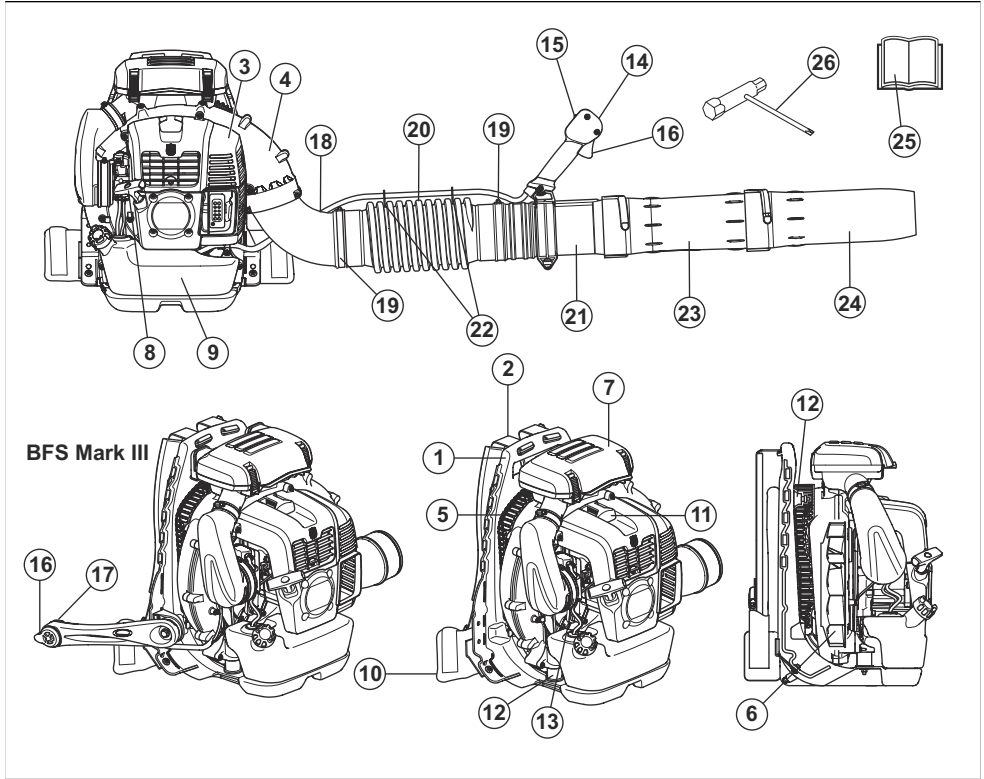
This product is a backpack blower with a fuel engine.

We have a policy of continuous product development and therefore reserve the right to modify the design and appearance of products without prior notice.

Intended use

Use the product to blow leaves and other unwanted material from areas such as lawns, pathways and asphalt roads.

Product overview



1. Frame
2. Harness
3. Engine cover
4. Fan housing
5. Air intake screen
6. Fan
7. Air filter
8. Starter rope handle
9. Fuel tank
10. Waist belt
11. Spark plug
12. Vibration damping system
13. Choke control
14. Handle
15. Stop switch with throttle position adjustment
16. Throttle trigger/Throttle lever
17. Stop switch
18. Pipe angle
19. Clamp
20. Flexible hose

21. Control pipe
22. Cable clamp
23. Intermediate pipe
24. Standard nozzle
25. Operator's manual
26. Combination wrench

Symbols on the product



WARNING! This product is dangerous. Injury or death can occur to the operator or bystanders if the product is not used carefully and correctly. To prevent injury to the operator or bystanders, read and obey all safety instructions in the operator's manual.



Read the operator's manual carefully and make sure that you understand the instructions before use.



Use approved hearing protection and approved eye protection. If the environment contains dust, use a breathing mask.



Air purge bulb.



Use approved protective gloves.



Keep all parts of your body away from hot surfaces.



Severing of fingers or hand by fan blade.



Choke, open position.



Mixture of gasoline and two-stroke oil.



Choke, close position.



Look out for thrown objects. Thrown objects can cause serious injury. Use personal protective equipment.



yyyywwxxxx

Keep a safety distance at a minimum of 15 m to persons or animals.

The rating plate or the laser printing shows the serial number. **yyyy** is the production year and **ww** is the production week.

Note: Other symbols/decals on the product refer to certification requirements for other commercial areas.

EPA III

The Emissions Compliance Period referred to on the Emission Compliance label indicates the number of operating hours for which the engine has been shown to meet Federal emissions requirement. Maintenance, replacement or repair of the emission control devices and system may be performed by any nonroad engine repair establishment or individual.

EMISSION CONTROL INFORMATION

Husqvarna

HUSQVARNA AB HUSKVARNA SWEDEN
THIS ENGINE MEETS U.S. EPA EXH/EVP
REGS FOR [] SORE. REFER TO
OPERATOR'S MANUAL FOR MAINTENANCE
SPECIFICATIONS AND ADJUSTMENTS.
EMISSIONS COMPLIANCE PERIOD: [] HRS

EMISSION CONTROL LABEL ABBREVIATIONS

General:

CAL	California	EXH/EVP	Exhaust and Evaporative	REGS	Regulations
-----	------------	---------	-------------------------	------	-------------

EMISSION CONTROL LABEL ABBREVIATIONS

General:

DISPL	Displacement	EVAP	Evaporative	SORE	Small off road engines
ECS	Emission control system	HRS	Hours	US EPA	United States Environmental Protection Agency

Exhaust emission control system:

ECM	Engine control module (Auto-tune)	OC	Oxidizing Catalyst
EM	Engine modification	TWC	Three way catalyst

Evaporative emission control systems:

C	Coextruded (Multilayer)	P	Treated HDPE or PE
N	Nylon	S	Sealed

Product liability

As referred to in the product liability laws, we are not liable for damages that our product causes if:

- the product is incorrectly repaired.
- the product is repaired with parts that are not from the manufacturer or not approved by the manufacturer.
- the product has an accessory that is not from the manufacturer or not approved by the manufacturer.
- the product is not repaired at an approved service center or by an approved authority.

Safety

Safety definitions

Warnings, cautions and notes are used to point out specially important parts of the manual.



WARNING: Used if there is a risk of injury or death for the operator or bystanders if the instructions in the manual are not obeyed.



CAUTION: Used if there is a risk of damage to the product, other materials or the adjacent area if the instructions in the manual are not obeyed.

Note: Used to give more information that is necessary in a given situation.

General safety instructions



WARNING: Read the warning instructions that follow before you use the product.

- Under no circumstances may the design of the product be modified without the permission of the manufacturer. Always use genuine accessories. Non-authorized modifications and/or accessories

can result in serious personal injury or the death of the operator or others.

- Never use a product that has been modified in any way from its original specification.
- Never use a product that is faulty. Carry out the safety checks, maintenance and service instructions described in this manual. Some maintenance and service measures must be carried out by trained and qualified specialists. Refer to *Maintenance schedule on page 15* for instructions.
- All servicing and repair work on the product requires special training. This is especially true of the safety equipment. Never use a product with faulty safety equipment. If your product fails any of the checks described in this operator's manual you must contact your service agent. The safety equipment of the product must be maintained as described in this operator's manual. When you buy any of our products we guarantee the availability of professional repairs and service. If the retailer who sells your product is not a servicing dealer, ask him for the address of your nearest service agent.

Safety instructions for operation



WARNING: Read the warning instructions that follow before you use the product.

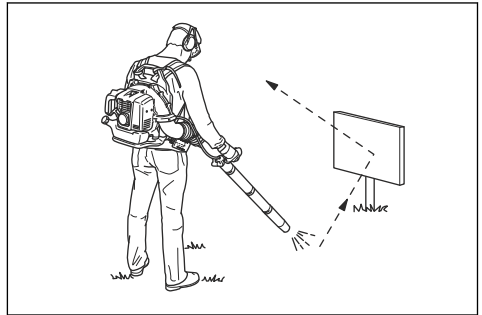
- This product is a dangerous tool if used carelessly or incorrectly and can cause serious, even fatal injuries.

It is extremely important that you read and understand the contents of this operator's manual.

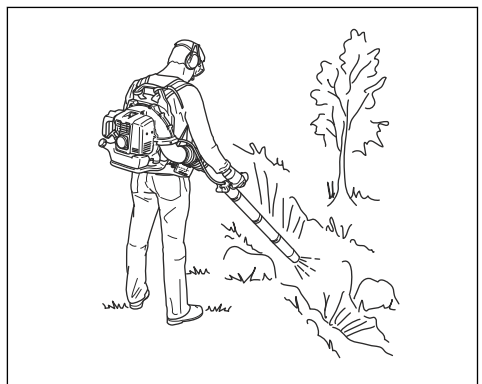
- Long-term exposure to noise can result in permanent hearing impairment. Always use approved hearing protection.
- Do an overall inspection of the machine before use. Refer to *Maintenance schedule on page 15*.
- Never use the machine if you are tired, if you have drunk alcohol, or if you are taking medication that could affect your vision, your judgement or your coordination.
- Wear personal protective equipment. Refer to *Personal protective equipment on page 7*.
- All covers and guards must be fitted before starting. Ensure that the spark plug cap and ignition lead are undamaged to avoid the risk of electric shock.
- The blower operator must make sure that no bystanders or animals come nearer than 15 m. Whenever several operators are working in the same work area, they should maintain a safe distance of at least 15 m from one another.
- Never allow children to operate the machine. Never allow anyone else to use the machine without first ensuring that they have read and understood the contents of the operator's manual.
- Always check for any objects that may block the air intake screen before beginning work.
- Never remove the air intake screen.
- In case of emergency, release yourself from the machine by opening the waist and chest belt and let the machine fall backwards.
- Always contact local authorities and make sure you are following applicable directives.
- Keep all parts of your body away from hot surfaces.
- Never start the machine indoors. Exhaust fumes can be dangerous if inhaled.
- Observe and be aware of the surroundings. Ensure that no people or animals can come into contact with the product. If anyone approaches your work area, set the throttle control to the lowest throttle until the person is at a safe distance. Direct the product away from people, animals, play areas, open windows and cars etc. No unauthorised persons or animals may be present in the working area, which is 15 metres.
- Overexposure to vibration can lead to circulatory damage or nerve damage in people who have impaired circulation. Contact your doctor if you experience symptoms of overexposure to vibration. Such symptoms include numbness, loss of feeling, tingling, pricking, pain, loss of strength, changes in skin colour or condition. These symptoms normally appear in the fingers, hands or wrists. The risk increases at low temperatures.
- Engine exhaust fumes contain carbon monoxide, which can cause carbon monoxide poisoning. For this reason you should not start or run the product indoors, or anywhere that is poorly ventilated. The exhaust fumes from the engine are hot and may

contain sparks which can start a fire. Never start the product indoors or near combustible material.

- Allow the engine to cool before refueling.
- The powerful currents of air can move objects at such a speed that they can bounce back and cause serious eye injuries.

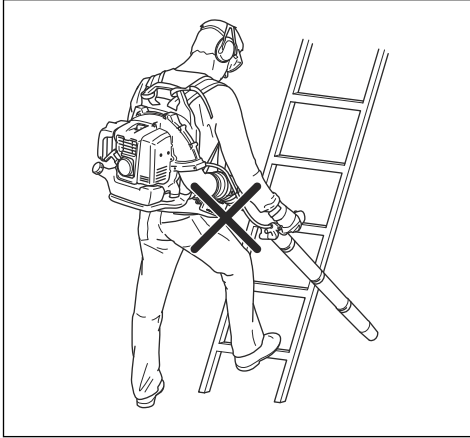


- Do not direct the air jet towards people or animals.
- Do not use the machine in bad weather, such as dense fog, heavy rain, strong wind, intense cold, etc. Working in bad weather is tiring and can lead to dangerous conditions, e.g. slippery surfaces.
- Minimize the time of operation by lightly wetting dusty areas or using spray equipment.
- Make sure you can move and stand safely. Check the area around you for possible obstacles (roots, rocks, branches, ditches, etc.) in case you have to move suddenly. Take great care when working on sloping ground.



- Never put the product down with the engine running unless you have it in clear sight.

- Never operate the product from ladders or high places (such as roofs), it is prohibited and could result in severe injury.



- Do not use the product unless you are able to call for help in the event of an accident.
- Watch out for thrown objects. Always wear eye protection. Stones, rubbish, etc. can be thrown up into the eyes causing blindness or serious injury. Keep unauthorised persons at a distance. Children, animals, onlookers and helpers should be kept outside the safety zone of 15 m. Stop the machine immediately if anyone approaches.
- Do not operate the product if the exhaust gas outlet on the engine cover is covered by a wall and/or some other obstacles. The product could get damaged. Make sure that the distance is 50 cm or more from the obstacles during operation.
- Always stop the engine before cleaning.
- Always move the product away from the refueling area and source before starting. Place the product on a flat surface.
- The product may only be started in its complete design. If the product is started without all the guards fitted there is a risk of personal injuries.

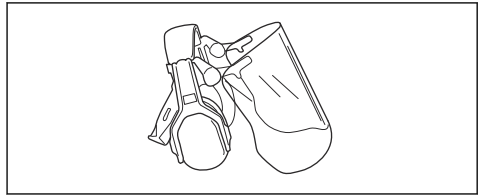
Personal protective equipment



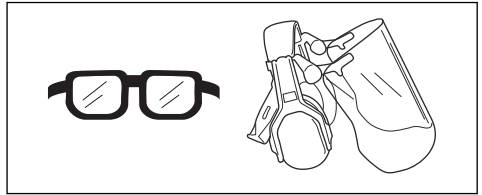
WARNING: Read the warning instructions that follow before you use the product.

- Always use approved personal protective equipment when you use the product. Personal protective equipment cannot fully prevent injury but it decreases the degree of injury if an accident does occur. Let your dealer help you select the right equipment.

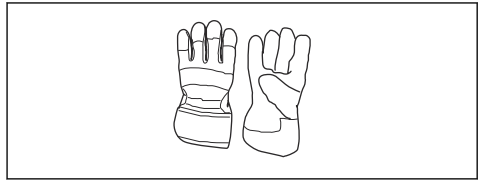
- Use approved hearing protection.



- Use approved eye protection. If you use a visor, you must also use approved protective goggles. Approved protective goggles must agree with the ANSI Z87.1 standard in the USA or EN 166 in EU countries.



- Use gloves when it is necessary, for example, when you examine or clean the product.

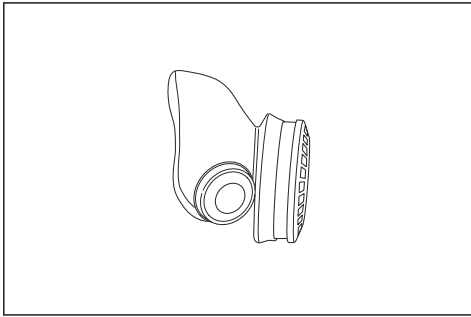


- Use protective boots, or shoes, with non-slip soles.



- Use clothing made of a strong fabric. Always use heavy, long pants and long sleeves. Do not use loose clothing that can catch on twigs and branches. Do not wear jewelry, short pants, open shoes or go with bare feet. Put your hair up safely above your shoulders.

- Use breathing protection when there is a risk of dust.



- Keep first aid equipment close at hand.



Safety devices on the product



WARNING: Read the warning instructions that follow before you use the product.

In this section the product's safety features, its purpose and how checks and maintenance should be carried out to ensure that it operates correctly. See instructions under the heading *Product overview on page 3* to find where these parts are located on your product.

The life span of the product can be reduced and the risk of accidents can increase if product maintenance is not carried out correctly and if service and/or repairs are not carried out professionally. If you need further information please contact your nearest servicing dealer.



WARNING: Never use a product with defective safety components. The product's safety equipment must be inspected and maintained as described in this section. If your product fails any of these checks, contact your service agent to get it repaired.



CAUTION: All servicing and repair work on the machine requires special training. This is especially true of the machine's safety equipment. If your machine fails any of the checks described below you must contact your service agent. When you buy any of our products we guarantee the availability of professional repairs and service. If the retailer who sells your machine is not a servicing dealer, ask him

for the address of your nearest service agent.

To do a check of the muffler



WARNING: Do not use a product with a defective muffler.



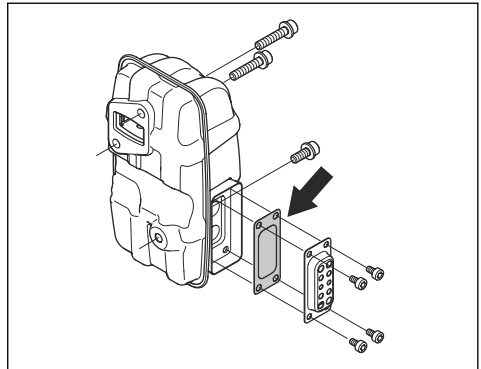
WARNING: The muffler becomes very hot during and after operation, also at idle speed. Use protective gloves to prevent burn injuries.

The muffler keeps noise levels to a minimum and sends exhaust fumes away from the operator.

1. Stop the engine.
2. Do a visual check for damage and deformation.

Note: The inner surfaces of the muffler contain chemicals that can cause cancer. Be careful not to touch these elements if the muffler is damaged.

3. Make sure that the muffler is correctly attached to the product. Tighten the screws to 8-12 Nm.

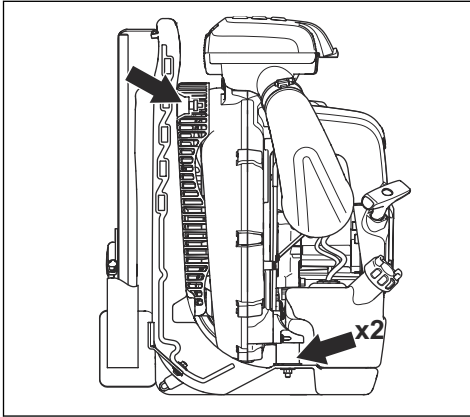


4. Examine the spark arrester screen, do a visual check.
 - a) Replace the spark arrester screen if it is damaged.
 - b) Clean the spark arrester screen if it is blocked. Refer to *To do maintenance of the muffler on page 16* for more information.

Vibration damping system

The product has a vibration damping system that decreases vibrations and makes operation easier. Examine the vibration damping system and make sure

that it is not damaged. Make sure that the vibration damping system is attached correctly.

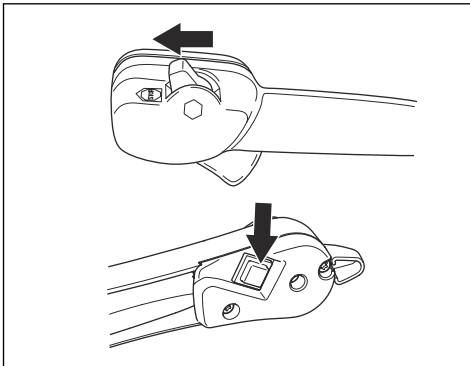


Air filter

Do not use the product without an air filter or if the air filter is damaged or has a deformation.

Stop switch

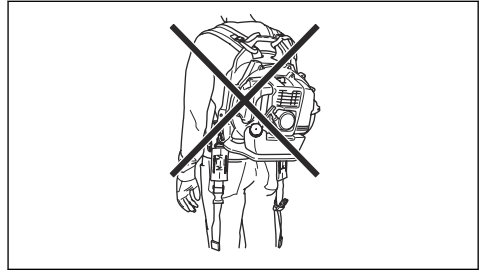
Use the stop switch to stop the engine. Make sure that the engine stops fully.



Harness safety

Always use the harness when you operate the product. If you do not use the harness, you cannot operate the product safely. This can result in injury to you or other persons. Make sure that the waist belt and chest strap

are attached and correctly adjusted. There is a risk that an open belt can go into the fan of the product.



Fuel safety



WARNING: Read the warning instructions that follow before you use the product.

- Do not mix the fuel indoor or near a heat source.
- Do not start the product if there is fuel or engine oil on the product. Remove the unwanted fuel/oil and let the product dry. Remove unwanted fuel from the product.
- If you spill fuel on your clothing, change clothing immediately.
- Do not get fuel on your body, it can cause injury. If you get fuel on your body, use a soap and water to remove the fuel.
- Do not start the engine if you spill oil or fuel on the product or on your body.
- Do not start the product if the engine has a leak. Examine the engine for leaks regularly.
- Be careful with fuel. Fuel is flammable and the fumes are explosive and can cause injuries or death.
- Do not breathe in the fuel fumes, it can cause injury. Make sure that there is sufficient airflow.
- Do not smoke near the fuel or the engine.
- Do not put warm objects near the fuel or the engine.
- Do not add the fuel when the engine is on.
- Make sure that the engine is cool before you refuel.
- Before you refuel, open the fuel tank cap slowly and release the pressure carefully.
- Make sure there are sufficient airflow when refueling and mixing fuel (petrol and two-stroke oil) or draining the fuel tank.
- Fuel and fuel vapor are highly flammable and can cause serious injury when inhaled or allowed to come into contact with the skin. For this reason, observe caution when handling fuel and make sure there is sufficient airflow.
- Tighten the fuel tank cap carefully or a fire can occur.
- Move the product at a minimum of 3 m (10 ft) from the position where you filled the tank before a start.
- Do not put too much fuel in the fuel tank.

- Make sure that a leak cannot occur when you move the product or fuel container.
- Do not put the product or a fuel container where there is an open flame, spark or pilot light. Make sure that the storage area does not contain an open flame.
- Only use approved containers when you move the fuel or put the fuel into storage.
- Empty the fuel tank before long-term storage. Obey the local law on where to dispose fuel.
- Clean the product before long-term storage.
- Remove the spark plug cap before you put the product into storage to make sure that the engine does not start accidentally.

- Your warranty may not cover damage or liability caused by the use of non-authorized accessories or replacement parts.
- The inside of the muffler contains chemicals that may be carcinogenic. Avoid contact with these elements in the event of a damaged muffler.
- Stop the engine before assembling or dismantling accessories or other parts.
- Check that the thick round pin in the clamp is inserted in the strap. If it is inserted incorrectly it may lead to personal injury.

Safety instructions for maintenance



WARNING: Read the warning instructions that follow before you use the product.

Assembly

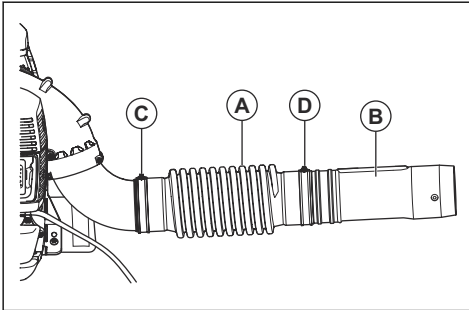
Introduction



WARNING: Read and understand the safety chapter before you assemble the product.

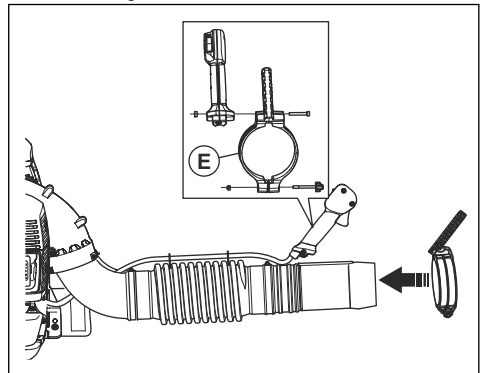
To assemble the tube and handle on the product :580BTS Mark III

1. Attach the flexible hose (A) to the pipe angle and the control pipe (B) with the clamps (C), (D).

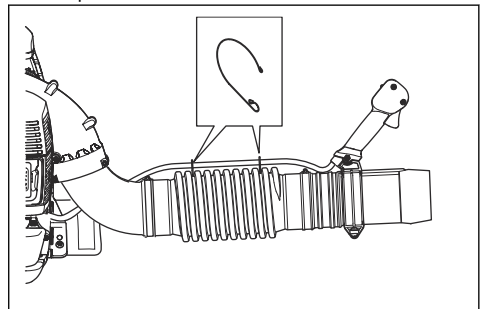


Note: Lubricate the control pipe and the flexible hose to make them more easy to assemble.

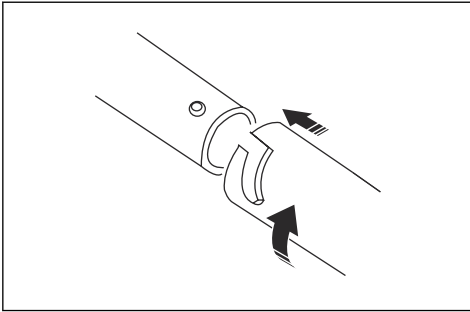
2. Attach the handle (E) to the control pipe and put the knob through the handle.



3. Tighten the knob.
4. Attach the cable to the flexible hose with the cable clamp.



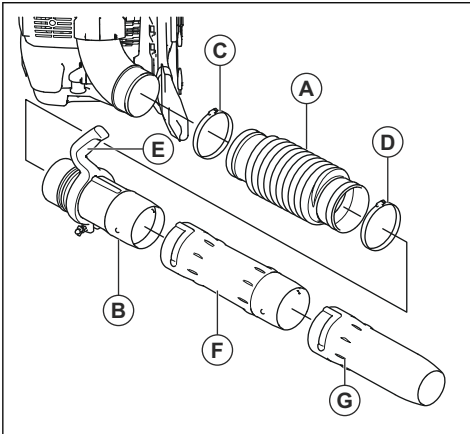
- Attach the intermediate pipe to the control pipe.



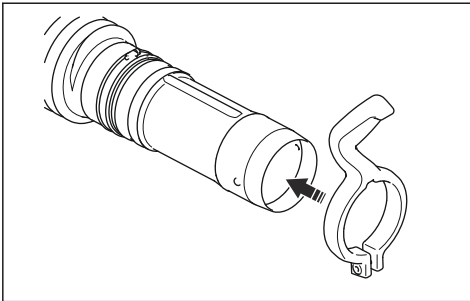
- Attach the blower nozzle to the intermediate pipe.

To assemble the tube and handle on the product :580BFS Mark III

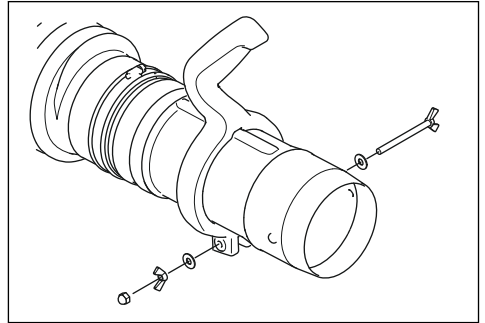
- Attach the flexible tube (A) to the pipe angle with the clamp (C).



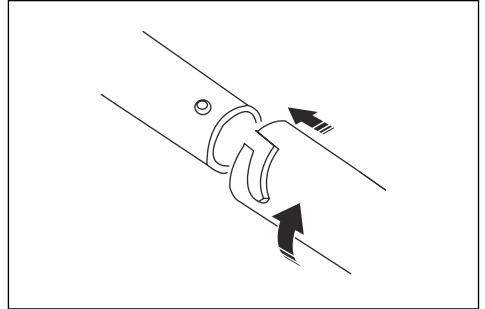
- Push the handle (E) onto the control pipe (B)



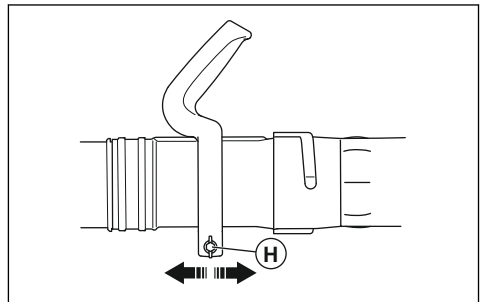
- Attach and tighten the bolt, washer and nuts as shown in the illustration.



- Attach the control pipe (B) to the flexible tube (A) with the clamp (D). Make sure that the mark on the control pipe is up.
- Attach the intermediate pipe (F) to the control pipe.



- Attach the blower nozzle (G) to the intermediate pipe.
- Loosen the knob (H) to adjust the position of the handle.



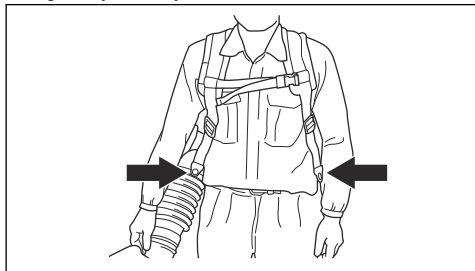
- Tighten the knob again.

To adjust the harness

A correctly adjusted harness and product makes operation easier.

- Put on the harness of the product.

2. Tighten the side straps until the product is tight against your body.



3. Connect the chest strap to the clip.
4. Tighten the strap.

Operation

Introduction



WARNING: Read and understand the safety chapter before you use the product.

Fuel

To use fuel



CAUTION: This product has a two-stroke engine. Use a mixture of gasoline and two-stroke engine oil. Make sure to use the correct quantity of oil in the mixture. Incorrect ratio of gasoline and oil can cause damage to the engine.

Husqvarna alkylate fuel



CAUTION: Do not use gasoline with an octane number less than 90 RON (87 AKI). This can cause damage to the product.



CAUTION: Do not use gasoline with more than 10% ethanol concentration (E10). This can cause damage to the product.



CAUTION: Do not use leaded gasoline. This can cause damage to the product.

We recommend Husqvarna alkylate fuel for best performance. This fuel gives less dangerous exhaust fumes compared to regular fuel. It keeps the engine clean and increases the engine life. Husqvarna alkylate fuel is not available in all commercial areas.

- Always use new unleaded gasoline with a minimum octane number of 90 RON (87 AKI) and with less than 10% ethanol concentration (E10).

- Use gasoline with a higher octane number if you frequently use the product at continuously high engine speed.
- Always use a good quality unleaded gasoline/oil mixture.

Two-stroke oil

- For best results and performance use Husqvarna two-stroke oil, which is specially formulated for our two-stroke engines.
- If Husqvarna two-stroke oil is not available, use a different two-stroke oil of good quality that is formulated for air-cooled engines. Consult your servicing dealer when you select an oil.
- Do not use two-stroke oil for water-cooled outboard engines, also referred to as outboard oil.
- Do not use oil intended for four-stroke engines.

Gasoline, l	Two-stroke oil, l
	2% (50:1)
5	0.10
10	0.20
15	0.30
20	0.40
US gallon	US fl. oz.
1	2 ½
2 ½	6 ½
5	12 ¾

To make the fuel mixture

Note: Always use a clean fuel container when you mix the fuel.

Note: Do not make more than 30 days quantity of fuel mixture.

1. Add half of the gasoline quantity.
2. Add the full quantity of oil.
3. Shake the fuel mixture to mix the contents.
4. Add the remaining gasoline quantity.
5. Shake the fuel mixture to mix the contents.
6. Fill the fuel tank.

To add fuel

- Always use a fuel container with an antispill valve.
- If there is some fuel on the container, remove the unwanted fuel and let the container dry.
- Make sure that the area near the fuel tank cap is clean.
- Shake the fuel container before you add the fuel mixture to the fuel tank.

To add fuel to the fuel tank

1. Stop the product.
2. Put the product on a flat surface.
3. Loosen the fuel tank cap to release the pressure in the fuel tank.
4. Remove the fuel tank cap.
5. Fill the fuel tank to 80%.
6. Tighten the fuel tank cap fully.
7. Make sure that there is no leak in the fuel tank.

Before you operate the product



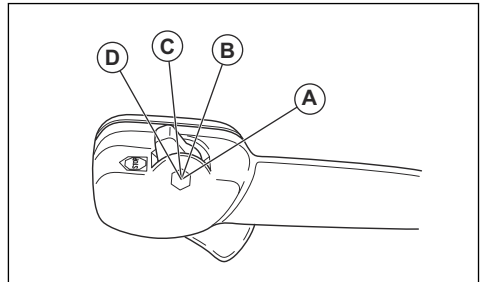
WARNING: Read the safety instructions before you operate the product.

- Use the blower with the lowest possible throttle. A lower throttle means less noise and less dust, and it is also easier to keep control over the rubbish collected together/moved. Use a rake or a brush to release rubbish stuck to the ground.
- Hold the opening of the blower as close to the ground as possible. Utilize the entire length of the blow pipe to keep the air current close to the ground. Clean up afterwards. Make sure that you have not blown rubbish into someone's garden. Operate power equipment only at reasonable hours, not early in the morning or late at night when people might be disturbed. Comply with times listed in local ordinances.
- This blower is a backpack type, and is carried using a shoulder harness while operating. It is operated and controlled with the handle on the tube using the right hand.

- The speed of the air jet is regulated by means of the throttle. Select the speed best suited for respective tasks.
- Check that the air intake is not blocked, for example, by leaves or rubbish. A clogged air intake reduces the machine's blowing capacity and increases the engine's working temperature, which can result in engine failure. Stop the engine and remove the object.
- Be aware of the wind direction. Work with the wind to make your work easier.
- Using the blower to move large piles is time consuming and creates unnecessary noise.
- Keep a good balance and a firm foothold.
- When work is finished the machine should be stored vertically.

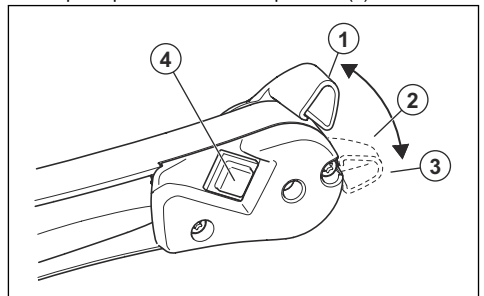
To operate the throttle switch :580BTS Mark III

- Apply full throttle (A).
- Apply 1/3 speed (B).
- Apply idle speed (C).
- Stop the product with the stop switch (D).



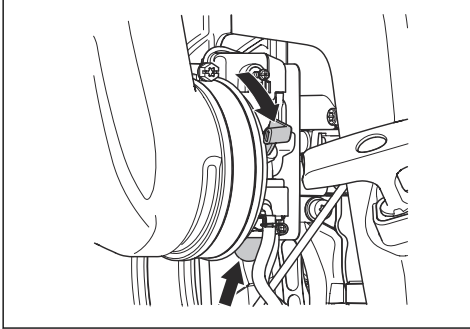
To operate the throttle switch :580BFS Mark III

- Apply full throttle (1).
- Apply 1/3 speed (2).
- Apply Idle speed (3).
- Stop the product with the stop switch (4).

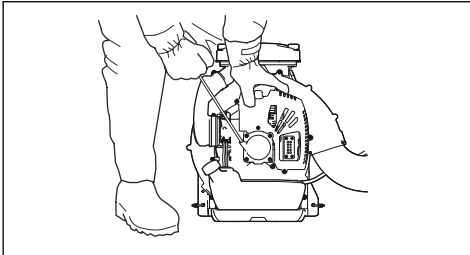


To start the product

1. If the engine is cold, push the choke lever to the closed choke position.



2. Push the air purge bulb again and again until fuel starts to fill the air purge bulb. It is not necessary to fill the air purge bulb fully.
3. Push the throttle lever to the $\frac{1}{3}$ speed position. Refer to *To operate the throttle switch :580BTS Mark III* on page 13.
4. Put the product on a flat surface on the ground.
5. Hold the product with the left hand.



6. Pull the starter rope handle slowly until resistance occurs.
7. Pull the starter rope handle quickly with the right hand until the engine starts or attempts to start, maximum 10 times. If the engine starts, move the choke lever gradually to the open position.

Note: Do not pull the starter rope handle to full extension and do not let go of the starter rope handle.

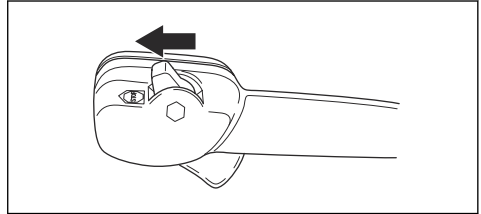
8. Move the choke lever to the open choke position until the choke lever stops.
9. Pull the starter rope handle repeatedly until the engine starts and continues to run.
10. If the engine does not start, do step 1 to step 10 again.
11. Let the engine run for 2-3 minutes to become warm before operation.

To stop the product :580BTS Mark III



CAUTION: Do not stop the product at full speed.

1. Push the throttle lever to the stop position.

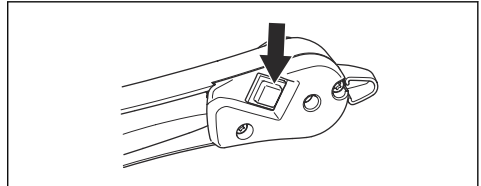


To stop the product :580BFS Mark III



CAUTION: Do not stop the product at full speed.

1. Push the stop switch.



Maintenance

Introduction



WARNING: Read and understand the safety chapter before you do maintenance on the product.

Maintenance schedule

Maintenance	Daily	Weekly	Monthly
Clean the external surfaces.	X		
Make sure that the control handle operates correctly.	X		
Make sure that the start/stop switch operates correctly. Refer to <i>To stop the product :580BTS Mark III on page 14.</i>	X		
Examine the engine, the fuel tank and the fuel lines for leaks. Examine the fuel filter for contamination. Replace the fuel filter if it is necessary.	X		
Clean the air filter. Replace the air filter if it is necessary.	X		
Tighten nuts and screws.	X		
Examine the air intake and make sure that it is not blocked.	X		
Examine the starter and the starter rope for damages.		X	
Examine the vibration damping units for damages, cracks and deformation. Make sure that the vibration damping units are correctly installed.		X	
Examine the spark plug. Refer to <i>To do a check of the spark plug on page 15.</i>		X	
Clean the cooling system.		X	
Clean the external surface of the carburetor and the area around it.		X	
Clean the fuel tank.			X
Examine all cables and connections.			X
Examine and clean the spark arrestor screen on the muffler (for products without catalytic converter).		X	
Examine and clean the spark arrestor screen on the muffler (for products with catalytic converter).			X
Examine the spark plug. Replace if it is necessary.			X

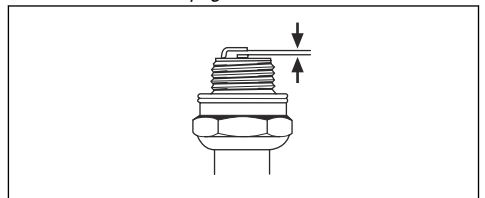
To do a check of the spark plug



CAUTION: Use the recommended spark plug. Refer to *Technical data on page 18.* An incorrect spark plug can cause damage to the product.

- If the product is not easy to start or to operate or if the product operates incorrectly at idle speed, examine the spark plug for unwanted materials. To decrease the risk of unwanted material on the spark plug electrodes, do these steps:
 - make sure that the idle speed is correctly adjusted.
 - make sure that the fuel mixture is correct.
 - make sure that the air filter is clean.
- Clean the spark plug if it is dirty.

- Make sure that the electrode gap is correct. Refer to, *Technical data on page 18.*



- Replace the spark plug monthly or more frequently if necessary.

To clean the cooling system



CAUTION: A dirty or blocked cooling system can make the product too hot, which can cause damage to the product.

The cooling system includes the cooling fins on the cylinder and the air intake screen.

- Make sure that the cooling system is not dirty or blocked.
- Clean the cooling system with a brush weekly or more frequently if it is necessary.

To do maintenance of the muffler

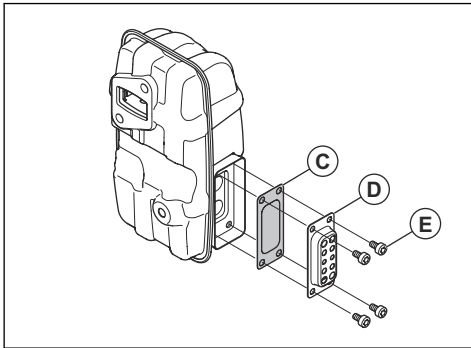


WARNING: Do not use a product with a defective muffler.



WARNING: The mufflers become very hot during and after operation, also at idle speed. Use protective gloves to prevent burn injuries.

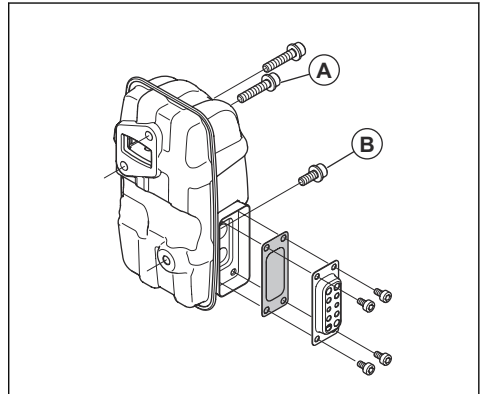
1. Stop the engine and let the muffler become cool.
2. Replace the spark arrester screen if it is damaged.
3. Remove the screws (E) and remove the exhaust duct (D).



Note: The inner surfaces of the muffler contain chemicals that can cause cancer. Be careful not to touch these elements if the muffler is damaged.

4. Remove the spark arrester screen (C) and clean it with a wire brush. Remove dirt from the inlet and outlet of the muffler with the wire brush. Also, remove dirt from the exhaust port of the cylinder with the wire brush.
5. Attach the spark arrester screen (C) and the exhaust duct (D) with the screws (E). Tighten the screws to 2-3 Nm.

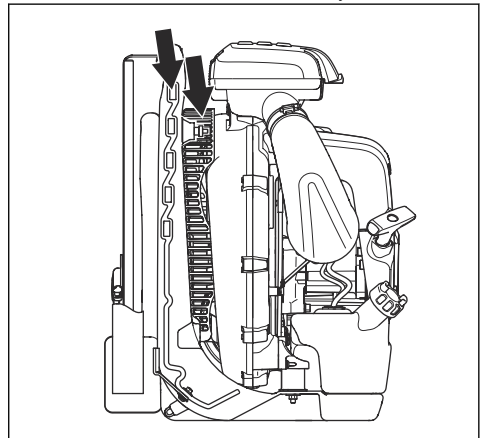
6. Make sure that the muffler is correctly attached to the product. Tighten the screws (A) and (B) to 8-12 Nm.



To examine the air intake screen

A clogged air intake screen decreases the blow force and increases the temperature of the engine. An increased temperature can result in engine failure.

1. Stop the engine.
2. Examine the air intake screen for damages and make sure that it is attached correctly.

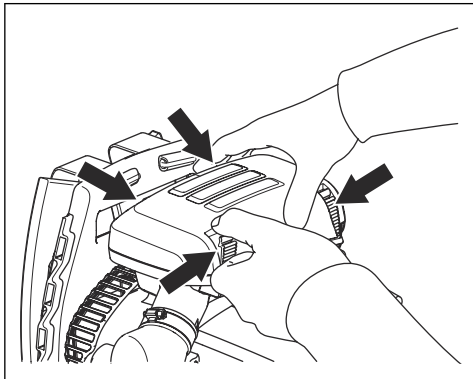


3. Remove dirt, leaves and unwanted materials from the air intake screen.

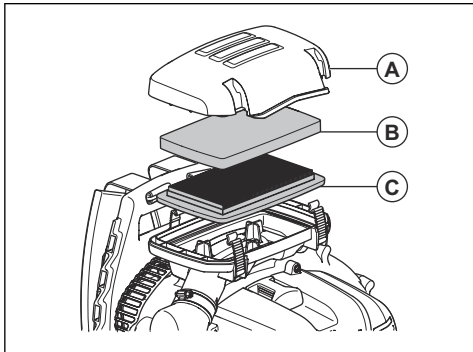
To clean the air filter

Clean the air filter regularly from dirt and dust. This prevents carburetor malfunctions, starting problems, loss of engine power, wear to engine parts and more fuel consumption than usual. Clean the air filter at an interval of 40 hours of operation or less if it is heavy operation conditions.

1. Loosen the fasteners that holds the air filter cover in position.



2. Remove the air filter cover (A).



3. Remove the foam filter (B) and the paper filter (C) from the filter frame.
4. Replace the paper filter (C).
5. Clean the foam filter (B) with warm soap water.

Note: An air filter that is used for a long time can not be fully cleaned. Replace the air filter regularly and always replace a defective air filter.

6. Make sure that the foam filter (B) is dry.
7. Clean the inner surface of the air filter cover with a brush (A).

To replace the harness



WARNING: A damaged harness can make the product fall and cause injuries.

1. Stop the engine.
2. Remove the clamp from the strap.
3. Push the end of the strap through the hanger.
4. Pull the new strap through the hanger.
5. Attach the clamp to the new strap.

Transportation and storage

Transportation and storage



WARNING: To prevent the risk of fire, make sure that there are no leaks or fumes during transportation or storage. Make sure that there is no risk of sparks or fire.

- Empty the fuel tank before transportation or long-term storage. Push the air purge bulb to make sure that all fuel is removed. Discard the fuel at an applicable disposal location.
- Make sure that the product is clean and that a full servicing is done before long-term storage.
- Remove the spark plug and put approximately 15 ml of two-stroke oil into the cylinder. Turn the product 3 times and install the spark plug again.
- Attach the product safely to the vehicle during transportation.
- Keep the product in a dry, cool and clean space with good airflow. Keep the product away from children.

Technical data

Technical data

	580BTS Mark III	580BFS Mark III
Engine		
Cylinder displacement, cm ³	75.6	75.6
Idle speed, rpm	2000	2000
Catalytic converter muffler	No	No
Speed-regulated ignition system	Yes	Yes
Ignition system¹		
Spark plug	NGK CMR7H	NGK CMR7H
Electrode gap, mm/in	0.6-0.7 / 0.024-0.028	0.6-0.7 / 0.024-0.028
Fuel and lubrication system		
Fuel tank capacity, l/US pint	2.6 / 5.5	2.6 / 5.5
Weight		
Weight, kg/lb	12.2/26.8	12.3/27.1
Fan performance		
Maximum air velocity with standard nozzle, mph / m/s	220/98	220/98
Air flow with standard nozzle, cfm / m ³ /min	1000/28	1000/28

¹ The spark ignition system complies with the Canadian ICES-002 standard.

Warranty

CALIFORNIA, U.S FEDERAL, AND CANADA EXHAUST AND EVAPORATIVE EMISSIONS CONTROL WARRANTY STATEMENT

YOUR WARRANTY RIGHTS AND OBLIGATIONS

The California Air Resources Board (CARB), U.S. Environmental Protection Agency (EPA), Environment and Climate Change Canada and Husqvarna Forest & Garden are pleased to explain the exhaust and evaporative emissions ("emissions") control system warranty on your 2021-2022* small off-road engine. In California, new equipment that use small off-road engines must be designed, built, and equipped to meet State's stringent anti-smog standards. Husqvarna Forest & Garden must warrant the emissions control system on your small off-road engine for the periods of time listed below provided there has been no abuse, neglect or improper maintenance of your small off-road engine or equipment leading to the failure of the emissions control system. Your emissions control system may include parts such as the carburetor or fuel injection system, the ignition system, catalytic converter, fuel tanks, fuel lines (for liquid fuel and fuel vapors), fuel caps, valves, canisters, filters, clamps and other associated components. Also included may be hoses, belts, connectors, and other emission-related assemblies. Where a warrantable condition exists, Husqvarna Forest & Garden will repair your small off-road engine at no cost to you including diagnosis, parts and labor.

MANUFACTURER'S WARRANTY COVERAGE

The exhaust and evaporative emissions control system on your small off-road engine is warranted for two years. If any emissions-related part on your small off-road engine is defective, the part will be repaired or replaced by Husqvarna Forest & Garden.

OWNER'S WARRANTY RESPONSIBILITIES

- As the small off-road engine owner, you are responsible for performance of the required maintenance listed in your owner's manual. Husqvarna Forest & Garden recommends that you retain all receipts covering maintenance on your small off-road engine, but Husqvarna Forest & Garden cannot deny warranty coverage solely for the lack of receipts or for your failure to ensure the performance of all scheduled maintenance.
- As the small off-road engine owner, you should however be aware that Husqvarna Forest & Garden may deny you warranty coverage if your small off-road engine or a part has failed due to abuse, neglect, or improper maintenance or unapproved modifications.
- You are responsible for presenting your small off-road engine to a Husqvarna Forest & Garden

authorized servicing dealer as soon as the problem exists. The warranty repairs shall be completed in a reasonable amount of time, not to exceed 30 days. If you have any questions regarding your warranty rights and responsibilities, you should contact Husqvarna Forest & Garden in USA at 1-800-487-5951, in CANADA at 1-800-805-5523 or send e-mail correspondence to emissions@husqvarnagroup.com or warranty@hpp-emissions.com.

WARRANTY COMMENCEMENT DATE

The warranty period begins on the date the engine or equipment is delivered to an ultimate purchaser.

LENGTH OF COVERAGE

Husqvarna Forest & Garden warrants to the ultimate purchaser and each subsequent owner that the engine or equipment is designed, built, and equipped so as to conform with all applicable regulations adopted by CARB and EPA, and is free from defects in materials and workmanship that causes the failure of a warranted part for a period of two years.

WHAT IS COVERED

REPAIR OR REPLACEMENT OF PARTS: Repair or replacement of any defective warranted part will be performed at no charge to you at a brand authorized servicing dealer. Except for repairs and replacement under this Emission Control Warranty, you may choose a repair shop or other person to maintain, replace or repair emission control devices and systems. However, Husqvarna Forest & Garden recommends that all maintenance, replacement and repairs of emission control devices and systems be performed by a brand authorized servicing dealer.

IMPORTANT: This product is compliant with U.S. EPA Phase 3 regulations for exhaust and evaporative emissions. To ensure EPA Phase 3, California Air Resources Board and Environment and Climate Change Canada regulation, we recommend using only genuine product branded replacement parts. Use of non-compliant replacement parts is a violation of federal and state laws.

WARRANTY PERIOD: Any warranted part which is not scheduled for replacement as required maintenance, or which is scheduled only for regular inspection to the effect of "repair or replace as necessary" is warranted for 2 years (or time defined in the product warranty statement, whichever is longer) from the date of purchase by the initial consumer purchaser. Any warranted part which is scheduled for replacement as required maintenance is warranted for the period of the time up to the first scheduled replacement for that part. Any part repaired or replaced under the warranty must be warranted for the remaining warranty period.

DIAGNOSIS: You will not be charged for diagnostic labor that leads to the determination that a warranted part is in fact defective, provided that such diagnostic work is performed at a brand authorized servicing dealer.

OTHER DAMAGES: Husqvarna Forest & Garden will repair other engine components caused by the failure of a warranted part still under warranty.

EMISSION WARRANTY PARTS LIST

1. Carburetor and intake parts or fuel injection system.
2. Air filter and fuel filter covered up to maintenance schedule.
3. Spark Plug, covered up to maintenance schedule.
4. Ignition Module.
5. Mufflers with catalyst and exhaust manifolds.
6. Fuel tank, fuel lines (for liquid fuel and fuel vapors), fuel cap, carbon canister and tip-over/anti-slosh valves as applicable.**
7. Electronic Controls, Vacuum, temperature, and time sensitive valves and switches.
8. Hoses, connectors, and assemblies.
9. All other components the failure of which would increase the engine's exhaust and evaporative emissions of any regulated pollutant as set forth at the following:
 - For California see California Code of Regulations, 13 CCR §2405(d) and 2760(d).
 - For U.S. and Canada see US Federal Code of Regulations, 40 C.F.R 1068 Appendix I (iii).

WHAT IS NOT COVERED

All failures caused by abuse, neglect, unapproved modifications, misuse or improper maintenance are not covered.

ADD -ON OR MODIFIED PARTS: Add-on or modified parts that are not exempted by CARB or EPA may not be used. The use of any non-exempted add-on or modified parts will be grounds for disallowing a warranty claim. Husqvarna Forest & Garden will not be liable to warrant failures of warranted parts caused by the use of a non-exempted add-on or modified part.

HOW TO FILE A CLAIM

If you have any questions regarding your warranty rights and responsibilities, you should contact your nearest authorized servicing dealer or call Husqvarna Forest & Garden in USA at 1-800-487-5951, in CANADA at 1-800-805-5523 or send e-mail correspondence to emissions@husqvarnagroup.com or warranty@hpp-emissions.com.

WHERE TO GET WARRANTY SERVICE

Warranty services or repairs are provided through all Husqvarna Forest & Garden authorized servicing dealers. If the nearest authorized servicing dealer is more than 100 miles from your location, Husqvarna Forest & Garden will arrange and pay for the shipping costs to and from a brand authorized servicing dealer or

otherwise arrange for warranty service in accordance with applicable regulations.

MAINTENANCE, REPLACEMENT AND REPAIR OF EMISSION-RELATED PARTS

Any replacement part may be used in the performance of any warranty maintenance or repairs and must be provided without charge to the owner. Such use will not reduce the warranty obligations of the manufacturer.

MAINTENANCE STATEMENT

The owner is responsible for the performance of all required maintenance, as defined in the owner's manual.

* Current and following model year will be updated annually in the warranty statement provided to the consumer. For example, in 2012 model year, 2012-2013 will be specified.

** Evaporative emission parts.

Contenido

Introducción.....	21	Mantenimiento.....	35
Seguridad.....	24	Transporte y almacenamiento.....	38
Montaje.....	29	Datos técnicos.....	39
Funcionamiento.....	32	Garantía.....	40

Introducción

Proposición 65 de California



¡ADVERTENCIA!

Los gases de escape del motor de este producto contienen sustancias químicas conocidas en el Estado de California como causantes de cáncer, defectos congénitos y otros daños reproductivos.

Descripción del producto

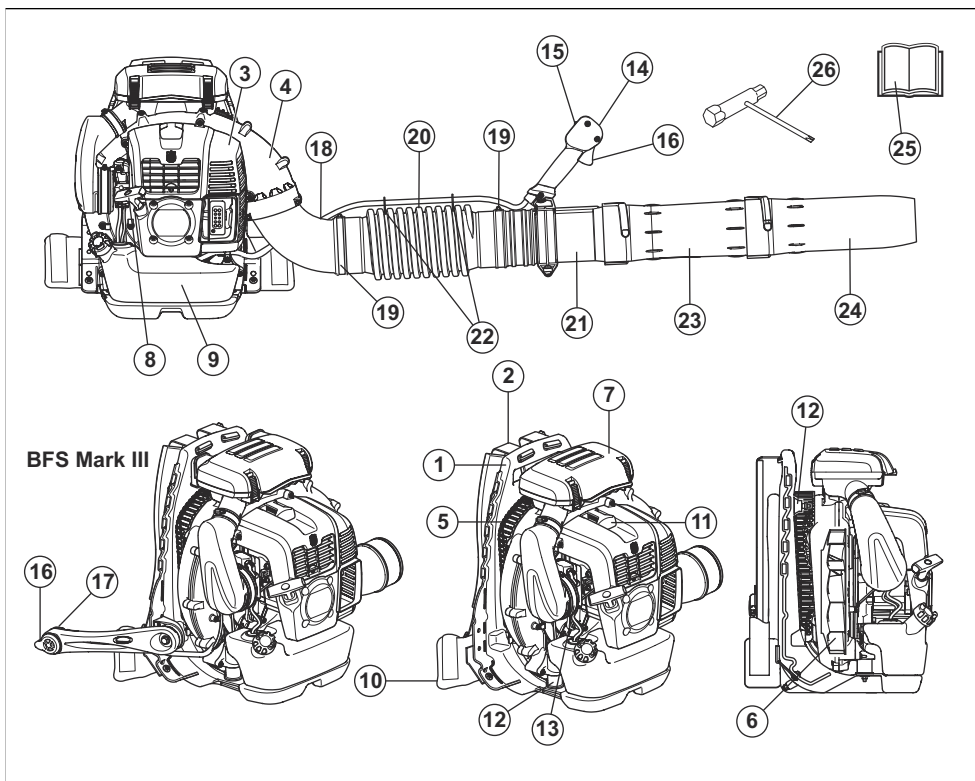
Este producto es una sopladora de mochila con motor de combustible.

Husqvarna AB tiene una política de desarrollo continuo de productos y, por lo tanto, se reserva el derecho de modificar el diseño y el aspecto de los productos sin previo aviso.

Uso específico

Utilice el producto para soplar hojas y otros materiales no deseados de zonas como césped, senderos y caminos de asfalto.

Descripción general del producto



BFS Mark III

1. Bastidor
2. Arnés
3. Cubierta del motor
4. Carcasa de ventilador
5. Rejilla de aspiración de aire
6. Ventilador
7. Filtro de aire
8. Empuñadura de la cuerda de arranque
9. Depósito de combustible
10. Cinturón
11. Bujía
12. Sistema amortiguador de vibraciones
13. Estrangulador
14. Manilla
15. Interruptor de detención con ajuste de posición del acelerador
16. Acelerador/palanca de acelerador
17. Interruptor de detención
18. Ángulo del tubo
19. Abrazadera

20. Manguera flexible
21. Tubo de control
22. Anclaje del cable
23. Tubo intermedio
24. Boquilla estándar
25. Manual del usuario
26. Llave combinada

Símbolos en el producto



ADVERTENCIA: Este producto es peligroso. El operador o las personas que se encuentran cerca pueden sufrir lesiones o la muerte si el producto no se utiliza con cuidado y correctamente. Para evitar daños graves al operador o a las personas que se encuentran cerca, lea y siga todas las instrucciones de seguridad del manual de usuario.



Lea atentamente el manual de instrucciones y asegúrese de que entiende las instrucciones antes de usar el producto.



Utilice protectores auriculares y oculares aprobados. Si el ambiente contiene polvo, utilice una máscara respiratoria.



Use guantes protectores homologados.



Peligro de corte de dedos o manos por las paletas del ventilador.



Utilice una mezcla de gasolina y de aceite para motores de dos tiempos.



Esté atento a que no salgan objetos despedidos. Los objetos despedidos pueden causar daños graves. Utilice el equipo de protección personal.



Mantenga una distancia de seguridad de un mínimo de 15 m para personas o animales.

aaaassxxxx

La placa de características o la impresión láser muestra el número de serie. **yyyy** es el año de producción, y **ww** es la semana de producción.



Bulbo de la purga de aire.



Mantenga todas las partes del cuerpo lejos de las superficies calientes.



Estrangulador, posición abierta.



Estrangulador, posición cerrada.

Nota: Otros símbolos o etiquetas del producto hacen referencia a requisitos de certificación para otras zonas comerciales.

EPA III

El período de cumplimiento de emisiones al que se hace referencia en la etiqueta de cumplimiento de emisiones indica la cantidad de horas de funcionamiento para la que se ha demostrado que el motor cumple el requisito de emisiones federales. El mantenimiento, reemplazo o reparación de los dispositivos y sistemas de control de emisiones puede realizarlo cualquier establecimiento o persona de que repare motores para uso fuera de carretera.

EMISSION CONTROL INFORMATION

Husqvarna

HUSQVARNA AB HUSKVARNA SWEDEN
 THIS ENGINE MEETS U.S. EPA EXH/EVP
 REGS FOR [] SORE. REFER TO
 OPERATOR'S MANUAL FOR MAINTENANCE
 SPECIFICATIONS AND ADJUSTMENTS.
 EMISSIONS COMPLIANCE PERIOD: [] HRS

ABREVIATURAS DE LA ETIQUETA DE CONTROL DE EMISIONES

Información general:

CAL	California	EXH/EVP	Escape y evaporación	REGS	Reglamentos
DISPL	Desplazamiento	EVAP	Evaporación	SORE	Motores todoterreno pequeños
ECS	Sistema de control de emisiones	HRS	Horas	US EPA	Agencia de Protección Ambiental de Estados Unidos

Sistema de control de emisiones de escape:

ECM	Módulo de control del motor (afinación automática)	OC	Catalizador oxidante
EM	Modificación del motor	TWC	Catalizador de tres vías

Sistemas de control de emisiones por evaporación:

C	Coextrusionado (multicapa)	P	HDPE o PE tratados
N	Nailon	S	Sellado

Responsabilidad del fabricante

Como se menciona en las leyes de responsabilidad del fabricante, no nos hacemos responsables de los daños que cause nuestro producto si:

- el producto se repara incorrectamente
- el producto se repara con piezas que no son del fabricante o que este no autoriza
- el producto tiene un accesorio que no es del fabricante o que este no autoriza
- el producto no se repara en un centro de servicio autorizado o por una autoridad aprobada.

Seguridad

Definiciones de seguridad

Las advertencias, precauciones y notas se utilizan para señalar las piezas particularmente importantes del manual.



ADVERTENCIA: Se utilizan para señalar el riesgo de lesiones graves o mortales para el operador o para aquellos que se encuentren cerca si no se siguen las instrucciones del manual.



PRECAUCIÓN: Se utilizan para señalar el riesgo de dañar la máquina, otros materiales o el área adyacente si no se siguen las instrucciones del manual.

Nota: Se utilizan para entregar más información necesaria en situaciones particulares.

Instrucciones generales de seguridad



ADVERTENCIA: Lea atentamente las instrucciones de advertencia siguientes antes de usar el producto.

- Bajo ninguna circunstancia se puede modificar el diseño del producto sin autorización del fabricante. Utilice siempre accesorios originales. Las modificaciones o accesorios no autorizados pueden provocar daños personales o la muerte del operador u otras personas.
- Nunca utilice un producto que se haya modificado de cualquier modo con respecto a la especificación original.
- Nunca utilice un producto que esté defectuoso. Realice las comprobaciones de seguridad, el mantenimiento y las instrucciones de servicio descritas en este manual. Especialistas capacitados y calificados deben llevar a cabo algunas medidas de mantenimiento y servicio. Consulte *Programa de mantenimiento en la página 35* para obtener instrucciones.
- Todos los trabajos de mantenimiento y reparación del producto requieren una formación especial. Esto

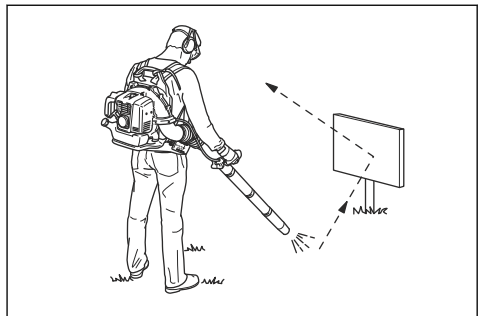
aplica especialmente al equipo de seguridad. Nunca utilice un producto con equipo de seguridad defectuoso. Si el producto no pasa alguna de las revisiones indicadas en el manual de usuario, debe comunicarse con el taller de servicio. Se debe realizar mantenimiento al equipo de seguridad como se indica en este manual de usuario. La compra de alguno de nuestros productos le garantiza la disponibilidad de mantenimiento y servicio profesionales. Si el comerciante que vende el producto no es un concesionario de servicio, pídale la dirección del taller de servicio más cercano.

Instrucciones de seguridad para el funcionamiento



ADVERTENCIA: Lea atentamente las instrucciones de advertencia siguientes antes de usar el producto.

- Este producto es una herramienta peligrosa si se utiliza de forma inapropiada o incorrecta y puede provocar daños graves e incluso mortales. Es muy importante que lea y comprenda el contenido de este manual de usuario.
- La exposición prolongada al ruido puede causar la pérdida permanente de la audición. Use siempre protectores auriculares aprobados.
- Realice una inspección general de la máquina antes de utilizarla. Consulte *Programa de mantenimiento en la página 35*.
- No utilice nunca la máquina si está cansado, si ha ingerido alcohol o si toma medicamentos que puedan afectar la vista, su capacidad de discernimiento o la coordinación.
- Use equipo de protección personal. Consulte *Equipo de protección personal en la página 26*.
- Todas las cubiertas y protecciones se deben montar antes del uso. Asegúrese de que el sombrerete de bujía y el cable de encendido estén en perfecto estado para evitar el riesgo de descarga eléctrica.
- El operador de la sopladora debe asegurarse de que no se acerquen transeúntes ni animales a menos de 15 m. Cada vez que varios operadores trabajen en la misma zona de trabajo, deben mantenerse a una distancia de seguridad de, al menos, 15 m el uno del otro.
- Nunca permita que los niños operen la máquina. Nunca permita que otra persona utilice la máquina sin asegurarse primero de que haya leído y comprendido el contenido del manual de usuario.
- Compruebe siempre que no haya objetos que puedan bloquear la rejilla de aspiración de aire antes de comenzar a trabajar.
- Nunca quite la rejilla de aspiración de aire.
- En caso de emergencia, abra el cinturón de la cadera y el pecho y deje caer la máquina hacia atrás para liberarse de esta.
- Comuníquese siempre con las autoridades locales y asegúrese de que sigue las directivas aplicables.
- Mantenga todas las partes del cuerpo lejos de las superficies calientes.
- Nunca encienda la máquina en un espacio cerrado. Inhalar los gases de escape puede ser peligroso.
- Observe el entorno y tenga en cuenta lo que sucede en él. Asegúrese de que ninguna persona o animal pueda entrar en contacto con el producto. Si alguien se acerca a la zona de trabajo, ajuste el control del acelerador a la velocidad mínima hasta que la persona se encuentre a una distancia segura. Mantenga el producto alejado de personas, animales, parques infantiles, ventanas abiertas, autos, etc. No debe haber personas sin autorización ni animales en la zona de trabajo, es decir, a menos de 15 metros.
- La sobreexposición a las vibraciones puede producir trastornos vasculares o nerviosos en personas que padecen de trastornos circulatorios. Póngase en contacto con su médico si experimenta síntomas de la sobreexposición a las vibraciones. Estos síntomas son entumecimiento, pérdida de sensibilidad, hormigueo, ardor, dolor, pérdida de fuerza, cambios en el color o el estado de la piel. Normalmente, estos síntomas se presentan en los dedos, manos o muñecas. El riesgo aumenta a bajas temperaturas.
- Los gases de escape del motor contienen monóxido de carbono, lo que puede provocar intoxicación por monóxido de carbono. Por esta razón, no debe encender ni utilizar el producto en espacios cerrados ni en ningún lugar que posea una ventilación deficiente. Los gases de escape del motor están calientes y pueden contener chispas que podrían iniciar un incendio. Nunca arranque el producto en interiores o cerca de material inflamable.
- Permita que el motor se enfríe antes de reabastecer de combustible.
- Las fuertes corrientes de aire pueden mover objetos a tal velocidad que pueden rebotar y causar lesiones oculares graves.



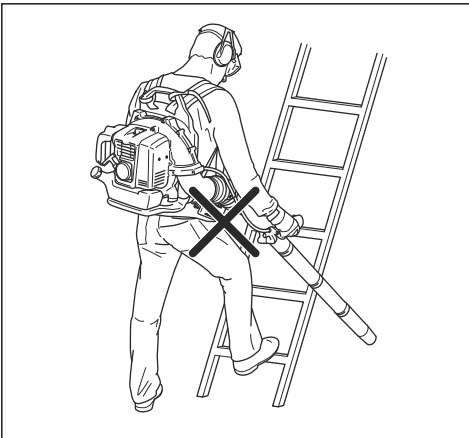
- No dirija el chorro de aire hacia personas o animales.
- No utilice la máquina en condiciones climáticas desfavorables, como niebla densa, lluvia intensa, vientos fuertes, frío intenso, entre otras. Trabajar

con mal tiempo es agotador y puede crear condiciones peligrosas, por ejemplo, superficies resbalosas.

- Minimice el tiempo de funcionamiento humedeciendo ligeramente las zonas polvorientas o utilizando un equipo de pulverización.
- Cerciórese de que puede caminar y mantenerse de pie con seguridad. Revise el área a su alrededor para detectar posibles obstáculos (raíces, piedras, ramas, zanjas, etc.) en caso de que tenga que moverse repentinamente. Tenga sumo cuidado al trabajar en terreno inclinado.



- Nunca suelte el producto con el motor activado a menos que lo tenga a la vista.
- Nunca haga funcionar el producto en escaleras o lugares altos (como techos). Esto está prohibido y podría provocar lesiones graves.



- No utilice el producto a menos que sea capaz de pedir ayuda en caso de accidente.
- Esté atento a que no salgan objetos despedidos. Siempre utilice protección ocular. Es posible que piedras, residuos, etc., salgan disparados en dirección a los ojos lo que puede provocar ceguera o

lesiones graves. Mantenga a distancia a personas no autorizadas. Los niños, animales, espectadores y ayudantes deben mantenerse fuera de la zona de seguridad de 15 m. Detenga la máquina de inmediato si alguien se acerca.

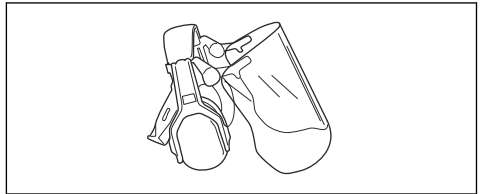
- No haga funcionar el producto si el tubo del gas de escape en la cubierta del motor se encuentra tapado por una muralla o algún otro obstáculo. El producto podría dañarse. Asegúrese de que la distancia es de 50 cm o más a partir del obstáculo durante el funcionamiento.
- Siempre detenga el motor antes de realizar la limpieza.
- Siempre mantenga el producto alejado de la fuente y el área de recarga de combustible antes del arranque. Coloque el producto sobre una superficie plana.
- El producto solo se debe arrancar en su versión completa. Si el producto se arranca sin todas las protecciones montadas, existe el riesgo de que provoque daños personales.

Equipo de protección personal

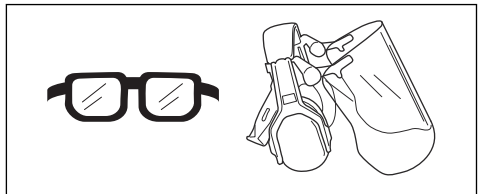


ADVERTENCIA: Lea atentamente las instrucciones de advertencia siguientes antes de usar el producto.

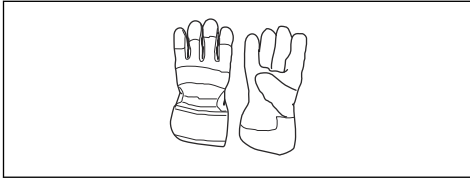
- Utilice siempre el equipo de protección personal adecuado cuando use el producto. El equipo de protección personal no puede impedir el riesgo de lesiones, pero disminuirá el grado de lesión si ocurre un accidente. Permita que su distribuidor le ayude seleccionar el equipo adecuado.
- Use protección auricular aprobada.



- Use protección ocular homologada. Si utiliza un visor, también debe usar gafas protectoras homologadas. Las gafas protectoras homologadas deben cumplir con la norma ANSI Z87.1 de EE. UU. o con EN 166 en los países de la UE.



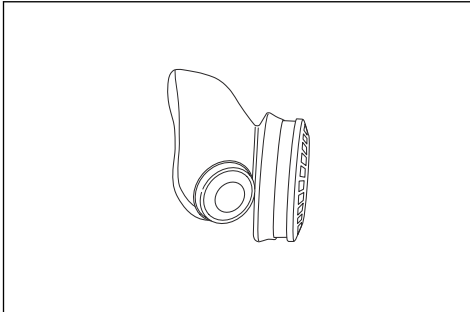
- Utilice guantes cuando sea necesario, por ejemplo, cuando examine o limpie el producto.



- Utilice botas o zapatos de protección con suelas antideslizantes.



- Utilice ropa de material resistente. Use siempre pantalones largos y gruesos, y mangas largas. Evite usar ropas holgadas que se puedan enganchar con ramas. No trabaje con joyas, pantalones cortos, calzado con aberturas ni con los pies descalzos. Ate su cabello por encima de sus hombros.
- Utilice una protección respiratoria cuando haya riesgo de polvo.



- Mantenga un equipo de primeros auxilios a mano.



Dispositivos de seguridad en el producto



ADVERTENCIA: Lea atentamente las instrucciones de advertencia siguientes antes de usar el producto.

En esta sección se describen las características de seguridad del producto y su propósito, y cómo deben llevarse a cabo las comprobaciones y el mantenimiento para asegurarse de que funciona correctamente. Consulte las instrucciones bajo el título *Descripción general del producto en la página 22* para ver dónde están situados estos componentes en el producto.

La vida útil del producto se puede reducir y el riesgo de accidentes puede aumentar si el mantenimiento del producto no se realiza correctamente y si el servicio o las reparaciones no se llevan a cabo de forma profesional. Si necesita más información, comuníquese con su taller de servicio más cercano.



ADVERTENCIA: No utilice nunca un producto con componentes de seguridad defectuosos. El equipo de seguridad del producto se debe inspeccionar y mantener tal como se describe en esta sección. Si el producto no pasa exitosamente alguna de estas comprobaciones, póngase en contacto con el taller de servicio para que lo reparen.



PRECAUCIÓN: Todos los trabajos de servicio y reparación de la máquina requieren una formación especial. Esto aplica especialmente al equipo de seguridad. Si la máquina no pasa exitosamente alguna de las comprobaciones indicadas a continuación, póngase en contacto con el taller de servicio. La compra de alguno de nuestros productos le garantiza la disponibilidad de mantenimiento y servicio profesionales. Si el comerciante que vende la máquina no es un concesionario de servicio, pídale la dirección del taller de servicio más cercano.

Para comprobar el silenciador



ADVERTENCIA: No utilice un producto con un silenciador defectuoso.



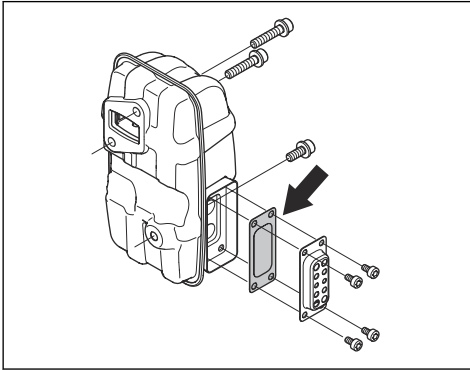
ADVERTENCIA: El silenciador se calienta mucho durante el funcionamiento o después de este, así como en el régimen de ralentí. Utilice guantes protectores para evitar quemaduras.

El silenciador mantiene los niveles de ruido al mínimo y envía los gases de escape lejos del operador.

1. Detenga el motor.
2. Realice una comprobación visual para determinar si hay daños y deformaciones.

Nota: Las superficies internas del silenciador contienen químicos que pueden causar cáncer. Tenga cuidado de no tocar estos elementos si el silenciador presenta daños.

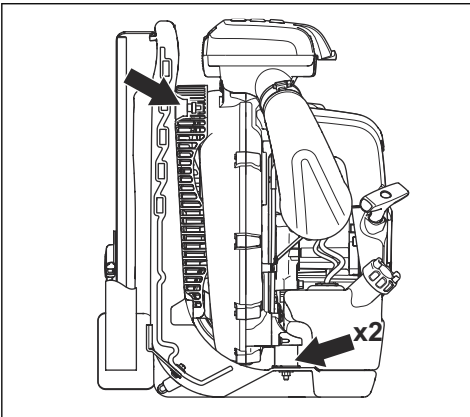
3. Asegúrese de que el silenciador esté correctamente unido al producto. Apriete los tornillos a 8-12 Nm.



4. Examine la rejilla apagachispas, realice una revisión visual.
- Cambie la rejilla apagachispas si está dañada.
 - Limpie la rejilla apagachispas si está bloqueada. Consulte *Para realizar tareas de mantenimiento del silenciador en la página 36* para obtener más información.

Sistema amortiguador de vibraciones

El producto tiene un sistema amortiguador de vibraciones que reduce las vibraciones y facilita su uso. Examine el sistema amortiguador de vibraciones y asegúrese de que no esté dañado. Asegúrese de que el sistema amortiguador de vibraciones esté correctamente fijado.

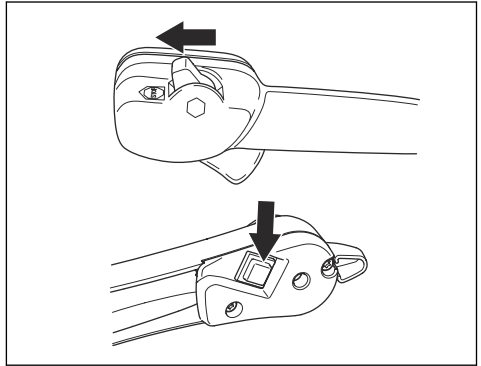


Filtro de aire

No utilice el producto sin filtro de aire o si el filtro de aire está dañado o presenta deformaciones.

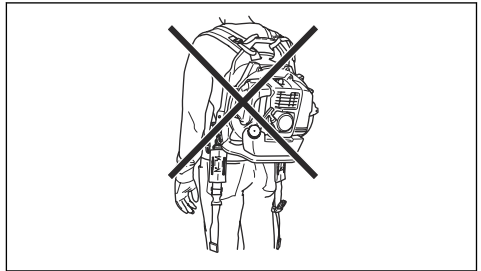
Interruptor de detención

Utilice el interruptor de detención para detener el motor. Asegúrese de que el motor se detenga por completo.



Seguridad del arnés

Use siempre el arnés cuando utilice el producto. Si no utiliza el arnés, no puede utilizar el producto de forma segura. Esto puede provocar lesiones a usted o a otras personas. Asegúrese de que el cinturón y la correa para el pecho estén fijados y ajustados correctamente. Existe el riesgo de que una correa abierta entre en el ventilador del producto.



Seguridad de combustible



ADVERTENCIA: Lea atentamente las instrucciones de advertencia siguientes antes de usar el producto.

- No mezcle el combustible en interiores o cerca de una fuente de calor.
- No arranque el producto si hay combustible o aceite de motor en el producto. Quite el combustible o aceite no deseado y deje secar el producto. Quite el combustible no deseado del producto.

- Si derrama combustible en su ropa, cámbiese la ropa inmediatamente.
- No permita que le caiga combustible en el cuerpo, ya que puede causar lesiones. Si le cae combustible en el cuerpo, utilice jabón y agua para quitarlo.
- No arranque el motor si derrama aceite o combustible en el producto o en su cuerpo.
- No arranque el producto si el motor tiene una fuga. Examine frecuentemente el motor en busca de fugas.
- Tenga cuidado con el combustible. El combustible es inflamable y los gases son explosivos y pueden causar lesiones graves o fatales.
- No respire los gases del combustible, ya que pueden causar lesiones. Asegúrese de que haya suficiente flujo de aire.
- No fume cerca del combustible o del motor.
- No coloque objetos calientes cerca del combustible o del motor.
- No agregue combustible cuando el motor esté en marcha.
- Asegúrese de que el motor se enfríe antes de llenar el depósito de combustible.
- Antes de llenar el depósito de combustible, abra lentamente la tapa del depósito de combustible y libere la presión con cuidado.
- Asegúrese de que haya suficiente flujo de aire cuando recargue y mezcle combustible (gasolina y aceite para motores de dos tiempos) o cuando vacíe el depósito de combustible.
- El combustible y sus gases son altamente inflamables y pueden causar lesiones graves si se inhalan o entran en contacto con la piel. Por esta razón, tenga precaución al manipular el combustible y asegúrese de que haya suficiente ventilación.
- Apriete la tapa del depósito de combustible con cuidado para evitar incendios.
- Mueva el producto a un mínimo de 3 m (10 pies) de la posición en la que se llenó el depósito antes de empezar.
- No ponga demasiado combustible en el depósito de combustible.
- Asegúrese de que no se puedan provocar fugas cuando mueva el producto o el recipiente de combustible.
- No coloque el producto ni un recipiente de combustible donde haya una llama expuesta, una chispa o una fuente de calor. Asegúrese de que no haya una llama expuesta en el área de almacenamiento.
- Utilice solamente contenedores aprobados cuando mueva el combustible o coloque el combustible en el almacenamiento.
- Vacíe el depósito de combustible antes de un almacenamiento a largo plazo. Cumpla con las leyes locales en cuanto al lugar en dónde se puede deshacer del combustible.
- Limpie el producto antes de un almacenamiento a largo plazo.
- Retire el sombrerete de bujía antes de almacenar el producto para asegurarse de que el motor no arranque accidentalmente.

Instrucciones de seguridad para el mantenimiento



ADVERTENCIA: Lea atentamente las instrucciones de advertencia siguientes antes de usar el producto.

- Es posible que su garantía no cubra daños o responsabilidades causadas por el uso de accesorios o piezas de repuesto no autorizados.
- El interior del silenciador contiene productos químicos que pueden ser cancerígenos. Evite el contacto con estos elementos en caso de que se dañe el silenciador.
- Detenga el motor antes de montar o desmontar los accesorios u otras piezas.
- Compruebe que el pasador redondeado y grueso de la abrazadera quede encajado en la correa. Si no queda encajado correctamente, podría provocar daños personales.

Montaje

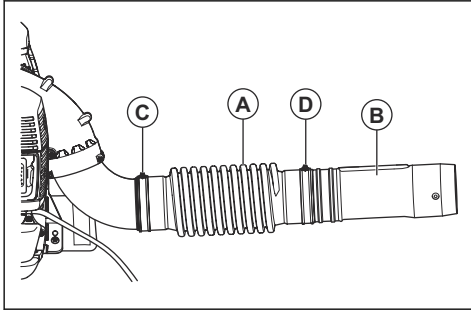
Introducción



ADVERTENCIA: Asegúrese de leer y comprender el capítulo de seguridad antes de montar el producto.

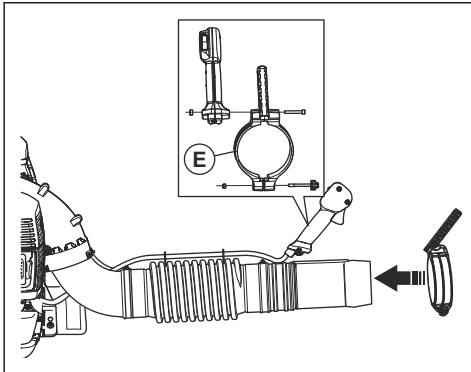
Para montar el tubo y el mango en el producto :580BTS Mark III

1. Fije la manguera flexible (A) en el ángulo del tubo y el tubo de control (B) con las abrazaderas (C), (D).

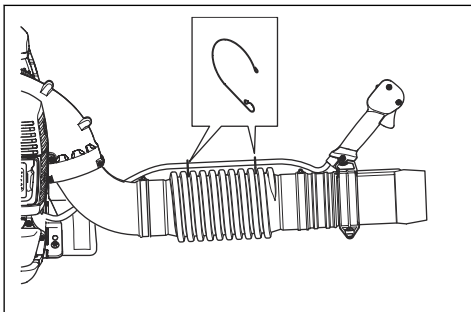


Nota: Lubrique el tubo de control y la manguera flexible para facilitar su montaje.

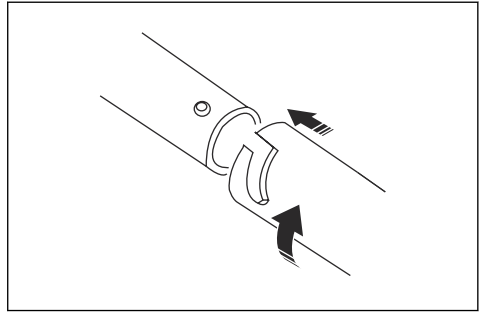
2. Fije el mango (E) en el tubo de control y pase la perilla a través del mango.



3. Apriete la perilla.
4. Fije el cable en la manguera flexible con el anclaje del cable.



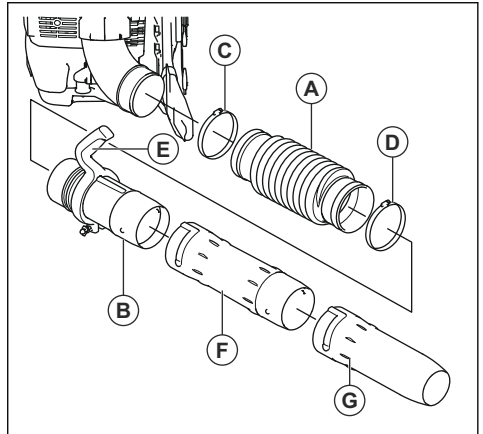
5. Fije el tubo intermedio en el tubo de control.



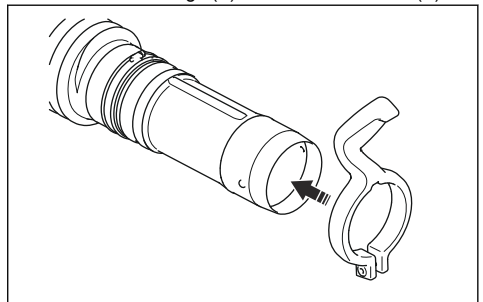
6. Fije la boquilla de la sopladora en el tubo intermedio.

Para montar el tubo y el mango en el producto :580BFS Mark III

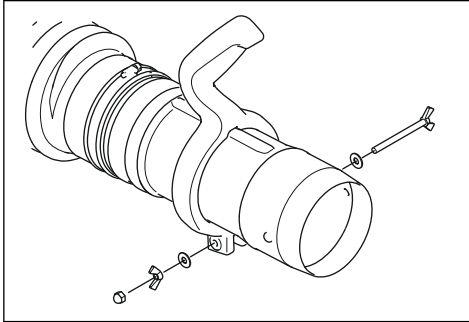
1. Fije el tubo flexible (A) en el ángulo del tubo con la abrazadera (C).



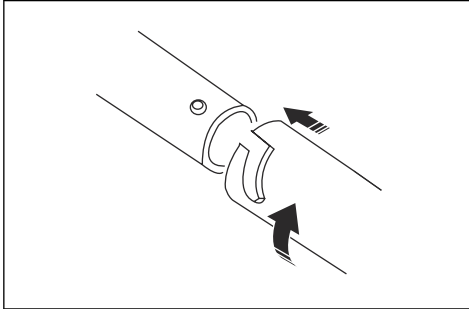
2. Introduzca el mango (E) en el tubo de control (B)



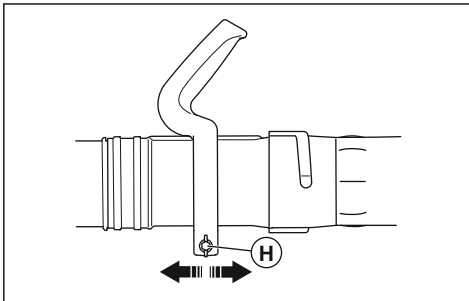
3. Fije y apriete el perno, la arandela y las tuercas, como se muestra en la imagen.



4. Fije el tubo de control (B) en el tubo flexible (A) con la abrazadera (D). Asegúrese de que la marca en el tubo de control se encuentre arriba.
5. Fije el tubo intermedio (F) en el tubo de control.



6. Fije la boquilla de la sopladora (G) en el tubo intermedio.
7. Afloje la perilla (H) para ajustar la posición del mango.

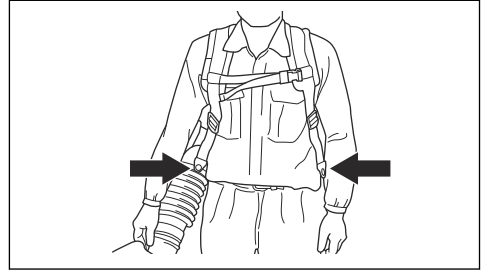


8. Apriete nuevamente la perilla.

Para ajustar el arnés

Un producto y un arnés bien ajustados facilitan el funcionamiento.

1. Coloque el arnés del producto.
2. Apriete las correas laterales hasta que el producto se encuentre firmemente apretado contra su cuerpo.



3. Conecte la correa para el pecho al sujetador.
4. Apriete la correa.

Funcionamiento

Introducción



ADVERTENCIA: Asegúrese de leer y comprender el capítulo de seguridad antes de utilizar el producto.

Combustible

Para utilizar combustible



PRECAUCIÓN: Este producto tiene un motor de dos tiempos. Utilice una mezcla de gasolina y de aceite del motor de dos tiempos. Asegúrese de utilizar la cantidad correcta de aceite en la mezcla. Una relación incorrecta de gasolina y aceite puede provocar daños al motor.

Combustible de alquilato Husqvarna



PRECAUCIÓN: No utilice gasolina con un octanaje inferior a 90 RON (87 AKI). Esto puede provocar daños al producto.



PRECAUCIÓN: No utilice gasolina con más de un 10 % de etanol concentrado (E10). Esto puede provocar daños al producto.



PRECAUCIÓN: No utilice gasolina con plomo. Esto puede provocar daños al producto.

Recomendamos combustible de alquilato Husqvarna para un mejor rendimiento. Este combustible produce gases de escape menos peligrosos, en comparación con el combustible común. Mantiene el motor limpio y aumenta la vida útil del motor. El combustible de alquilato Husqvarna no está disponible en todas las zonas comerciales.

- Siempre utilice gasolina sin plomo nueva con un octanaje mínimo de 90 RON (87 AKI) y con menos de un 10 % de etanol concentrado (E10).
- Use gasolina con un octanaje superior si con frecuencia utiliza el producto a velocidades de motor continuamente altas.
- Utilice siempre una mezcla de aceite/gasolina sin plomo de buena calidad.

Aceite para motores de dos tiempos

- Para obtener los mejores resultados y un mejor rendimiento, utilice aceite para motores de dos tiempos Husqvarna, que ha sido formulado

especialmente para nuestros motores de dos tiempos.

- Si el aceite para motores de dos tiempos Husqvarna no está disponible, utilice otro aceite para motores de dos tiempos de buena calidad que esté formulado para motores refrigerados por aire. Consulte a su concesionario de servicio cuando seleccione un aceite.
- No utilice aceite para motores de dos tiempos para motores fueraborda refrigerados por agua, también conocido como aceite para fueraborda.
- No utilice aceite para motores de cuatro tiempos.

Gasolina, l	Aceite para motores de dos tiempos, l
	2 % (50:1)
5	0,10
10	0,20
15	0,30
20	0,40
Galón estadounidense	Onza líquida EE. UU.
1	2 ½
2 ½	6 ½
5	12 ¾

Para hacer la mezcla de combustible

Nota: Use siempre un recipiente de combustible limpio cuando mezcle el combustible.

Nota: No realice una cantidad de mezcla de combustible para más de 30 días.

1. Agregue la mitad de la cantidad de gasolina.
2. Agregue la cantidad total de aceite.
3. Agite la mezcla de combustible para mezclar el contenido.
4. Agregue la cantidad restante de gasolina.
5. Agite la mezcla de combustible para mezclar el contenido.
6. Llene el depósito de combustible.

Para agregar combustible

- Utilice siempre un recipiente de combustible con una válvula antiderrames.

- Si hay combustible en el recipiente, retire el combustible no deseado y deje que el contenedor se seque.
- Asegúrese de que el área cerca de la tapa del depósito de combustible está limpia.
- Agite el recipiente de combustible antes de agregar la mezcla de combustible al tanque de combustible.

Para agregar combustible al depósito de combustible

1. Detenga la máquina.
2. Coloque el producto sobre una superficie plana.
3. Afloje la tapa del depósito para liberar la presión en el depósito de combustible.
4. Quite la tapa del depósito de combustible.
5. Llene el depósito de combustible al 80 %.
6. Apriete bien la tapa del depósito de combustible.
7. Asegúrese de que no haya fugas en el depósito de combustible.

Antes de usar el producto



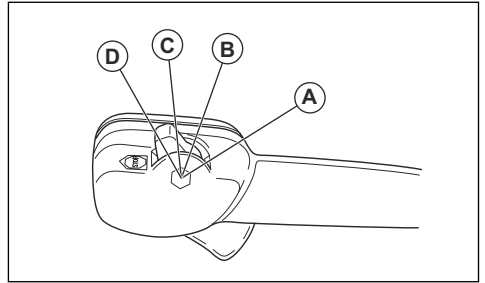
ADVERTENCIA: Lea las instrucciones de seguridad antes de utilizar el producto.

- Utilice la sopladora con el acelerador en una velocidad lenta. Una velocidad lenta significa menos ruido y menos polvo, y también permite un mayor control de los residuos recolectados o trasladados. Utilice un rastrillo o un cepillo para despegar los residuos adheridos al suelo.
- Mantenga la apertura de la sopladora lo más cerca posible del suelo. Utilice la extensión completa del tubo de soplado para mantener la corriente de aire cerca del suelo. Limpie después de utilizar. Asegúrese de que no soplar residuos hacia la propiedad de terceras personas. Utilice los equipos eléctricos únicamente a horas razonables, no muy temprano en la mañana ni muy tarde en la noche, cuando podría molestar a otras personas. Cumpla con los horarios indicados en las ordenanzas locales.
- Esta sopladora tipo mochila se transporta con un arnés de hombro durante su funcionamiento. Se maneja y controla mediante la palanca en el tubo con la mano derecha.
- La velocidad del chorro de aire se regula mediante el acelerador. Seleccione la velocidad más adecuada para las tareas que realizará.
- Verifique que la entrada de aire no se encuentre bloqueada, por ejemplo, por hojas o residuos. Una entrada de aire obstruida reduce la capacidad sopladora y aumenta la temperatura de funcionamiento de la máquina, lo que puede provocar una falla en el motor. Detenga el motor y retire el objeto.

- Tenga en cuenta la dirección del viento. Trabaje utilizando el viento a su favor para facilitar el trabajo.
- El uso de la sopladora para mover grandes pilas requiere mucho tiempo y genera ruido innecesario.
- Mantenga un buen equilibrio y un punto de apoyo firme.
- La máquina debe guardarse de manera vertical después de terminar el trabajo.

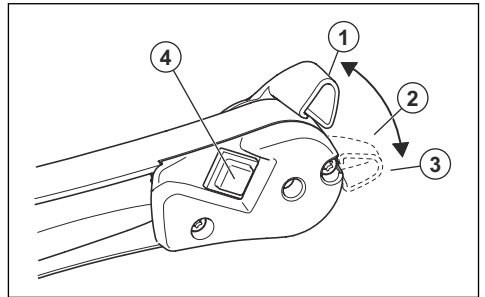
Para utilizar el interruptor del acelerador :580BTS Mark III

- Aplique aceleración máxima (A).
- Aplique 1/3 de la velocidad (B).
- Aplique el régimen de ralenti (C).
- Detenga el producto con el interruptor stop (D).



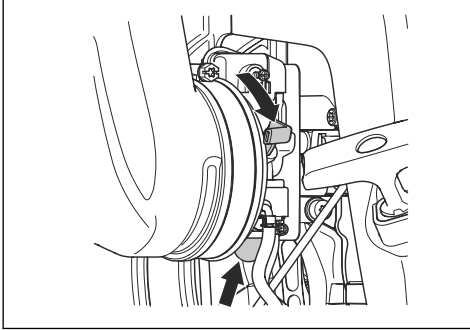
Para utilizar el interruptor del acelerador :580BFS Mark III

- Acelere al máximo (1).
- Aplique 1/3 de la velocidad (2).
- Aplique el régimen de ralenti (3).
- Detenga el producto con el interruptor de detención (4).

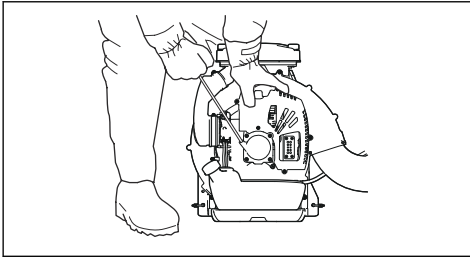


Para poner en marcha el producto

1. Si el motor está frío, presione la palanca del estrangulador hacia la posición de estrangulamiento cerrada.



2. Presione el bulbo de purga de aire una y otra vez hasta que el combustible comience a llenar el bulbo de purga de aire. No es necesario llenar completamente el bulbo de la bomba de combustible.
3. Presione la palanca de acelerador hacia la posición de $\frac{1}{8}$ de velocidad. Consulte *Para utilizar el interruptor del acelerador :580BTS Mark III en la página 33.*
4. Coloque el producto sobre una superficie plana en el suelo.
5. Sujete el producto con la mano izquierda.



6. Tire lentamente de la empuñadura de la cuerda de arranque hasta que se produzca resistencia.
7. Tire rápidamente de la empuñadura de la cuerda de arranque con la mano derecha hasta que el motor arranque. Realice este procedimiento 10 veces como máximo. Si el motor arranca, mueva la palanca del estrangulador gradualmente hasta la posición abierta.

Nota: No tire de la empuñadura de la cuerda de arranque en toda su extensión ni suelte la empuñadura de la cuerda de arranque.

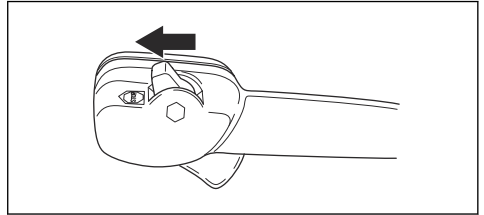
8. Mueva la palanca del estrangulador a la posición de estrangulamiento abierta y hasta que la palanca de estrangulamiento se detenga.
9. Tire de la empuñadura de la cuerda de arranque repetidamente hasta que el motor arranque y se ponga en marcha.
10. Si el motor no arranca, realice el paso 1 y el paso 10 nuevamente.
11. Deje funcionar el motor durante 2 a 3 minutos para que se caliente antes de su uso.

Para detener el producto :580BTS Mark III



PRECAUCIÓN: No detenga el producto cuando funcione a máxima velocidad.

1. Mueva la palanca de acelerador a la posición de detención.

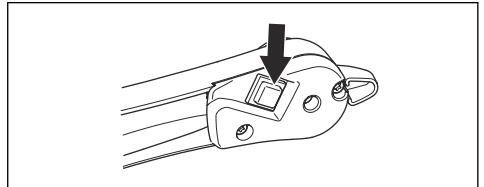


Para detener el producto :580BFS Mark III



PRECAUCIÓN: No detenga el producto cuando funcione a máxima velocidad.

1. Presione el interruptor de detención.



Mantenimiento

Introducción



ADVERTENCIA: Lea detenidamente el capítulo de seguridad antes de realizar mantenimiento en el producto.

Programa de mantenimiento

Mantenimiento	Diario	Una vez por semana	Una vez al mes
Limpie las superficies externas.	X		
Asegúrese de que el mango de control funcione correctamente.	X		
Asegúrese de que el interruptor de arranque/detención funcione correctamente. Consulte <i>Para detener el producto :580BTS Mark III en la página 34.</i>	X		
Examine el motor, el depósito de combustible y los conductos de combustible para determinar si hay fugas. Examine el filtro de combustible en busca de contaminación. Reemplace el filtro de combustible si es necesario.	X		
Limpie el filtro de aire. Reemplace el filtro de aire si es necesario.	X		
Apriete tuercas y tornillos.	X		
Examine la toma de aire y asegúrese de que no esté obstruida.	X		
Examine el arranque y la cuerda de arranque en busca de daños.		X	
Inspeccione los amortiguadores de vibraciones para determinar si presentan daños, grietas o deformación. Asegúrese de que los amortiguadores de vibraciones estén instalados correctamente.		X	
Examine la bujía. Consulte <i>Para comprobar la bujía en la página 35.</i>		X	
Limpie el sistema de refrigeración.		X	
Limpie la superficie exterior del carburador y el espacio que lo rodea.		X	
Limpie el depósito de combustible.			X
Examine todos los cables y conexiones.			X
Examine y limpie la rejilla de la red apagachispas en el silenciador (para productos sin catalizador).		X	
Examine y limpie la rejilla de la red apagachispas en el silenciador (para productos con catalizador).			X
Examine la bujía. Reemplácelos si es necesario.			X

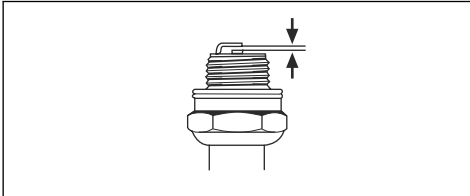
Para comprobar la bujía



PRECAUCIÓN: Utilice la bujía recomendada. Consulte *Datos técnicos en la página 39.* Una bujía incorrecta puede causar daños al producto.

1. Si el producto presenta dificultades para arrancar o funcionar, o si no funciona correctamente a régimen de ralentí, examine la bujía en busca de materiales no deseados. Para disminuir el riesgo de material no deseado en los electrodos de la bujía, realice estos pasos:

- a) asegúrese de que el régimen de ralentí esté ajustado correctamente.
 - b) asegúrese de que la mezcla de combustible es la correcta.
 - c) asegúrese de que el filtro de aire esté limpio.
2. Limpie la bujía si está sucia.
 3. Asegúrese de que la distancia entre los electrodos sea la correcta. Consulte *Datos técnicos en la página 39*.



4. Reemplace la bujía cada mes o más a menudo si es necesario.

Para limpiar el sistema de refrigeración



PRECAUCIÓN: Un sistema refrigerante sucio o bloqueado puede producir el sobrecalentamiento del producto, y dañarlo.

El sistema refrigerante incluye las aletas de refrigeración en el cilindro y la rejilla de aspiración de aire.

- Asegúrese de que el sistema refrigerante no esté sucio ni obstruido.
- Limpie el sistema de refrigeración con un cepillo semanalmente o con mayor frecuencia si es necesario.

Para realizar tareas de mantenimiento del silenciador



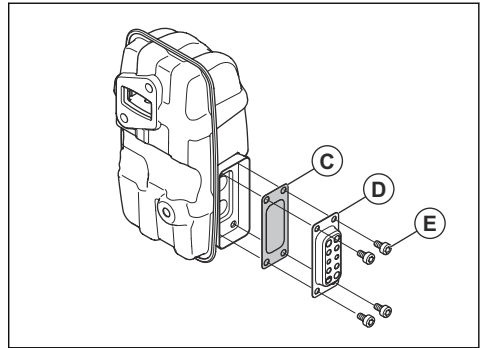
ADVERTENCIA: No utilice un producto con un silenciador defectuoso.



ADVERTENCIA: El silenciador se calienta mucho durante o después del funcionamiento, así como en el régimen de ralentí. Utilice guantes protectores para evitar quemaduras.

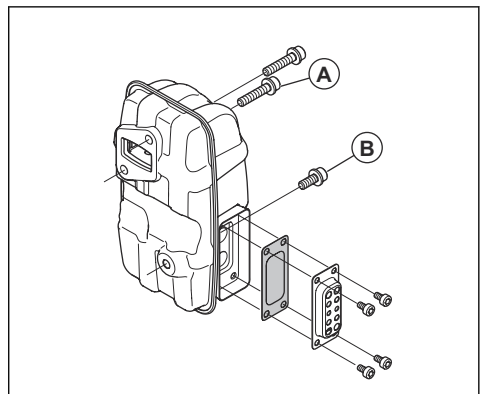
1. Detenga el motor y deje que el silenciador se enfríe.
2. Cambie la rejilla apagachispas si está dañada.

3. Quite los tornillos (E) y el conducto de escape (D).



Nota: Las superficies internas del silenciador contienen químicos que pueden causar cáncer. Tenga cuidado de no tocar estos elementos si el silenciador presenta daños.

4. Quite la rejilla apagachispas (C) y límpiela con un cepillo de alambre. Quite la suciedad de la entrada y salida del silenciador con el cepillo de alambre. Además, quite la suciedad de la lumbrera de escape del cilindro con el cepillo de alambre.
5. Fije la rejilla apagachispas (C) y el conducto de escape (D) con los tornillos (E). Apriete los tornillos a 2-3 Nm.
6. Asegúrese de que el silenciador esté correctamente unido al producto. Apriete los tornillos (A) y (B) de 8 a 12 Nm.

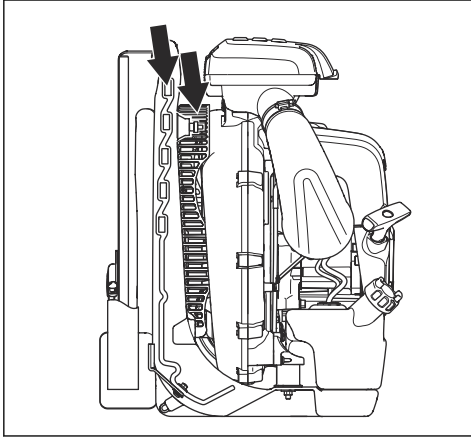


Para examinar la rejilla de aspiración de aire

Una rejilla de aspiración de aire obstruida reduce la fuerza de soplado y aumenta la temperatura del motor. Un aumento de la temperatura puede provocar la falla del motor.

1. Detenga el motor.

2. Examine la rejilla de aspiración de aire para detectar daños y asegúrese de que se encuentre correctamente fijada.

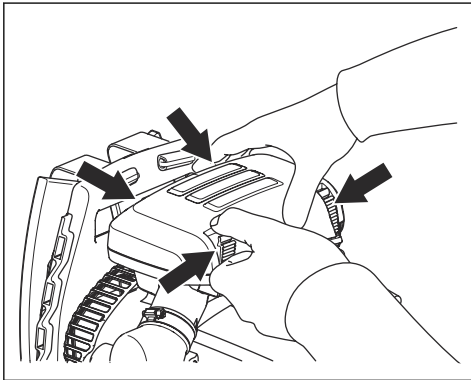


3. Quite la suciedad, las hojas y los materiales no deseados de la rejilla aspiración de aire.

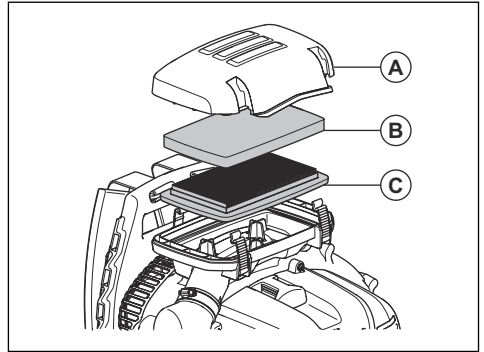
Para limpiar el filtro de aire

Limpie el filtro de aire de la suciedad y el polvo con regularidad. Esto evita fallas del carburador, problemas de arranque, pérdida de potencia del motor, el desgaste de las piezas del motor y un mayor consumo de combustible de lo habitual. Limpie el filtro de aire en intervalos de 40 horas de funcionamiento o menos si se encuentra en condiciones pesadas de funcionamiento.

1. Afloje los sujetadores que sostienen la cubierta del filtro de aire en su posición.



2. Quite la cubierta del filtro de aire (A).



3. Quite el filtro de espuma (B) y el filtro de papel (C) del bastidor del filtro.
4. Reemplace el filtro de papel (C).
5. Limpie el filtro de espuma (B) con agua jabonosa tibia.

Nota: Un filtro de aire que se utiliza durante mucho tiempo no se puede limpiar completamente. Sustituya el filtro de aire periódicamente, al igual que cuando presente defectos.

6. Asegúrese de que el filtro de espuma (B) esté seco.
7. Limpie la superficie interior de la cubierta del filtro de aire con un cepillo (A).

Para reemplazar el arnés



ADVERTENCIA: Un arnés dañado puede hacer que el producto se caiga y provocar daños personales.

1. Detenga el motor.
2. Quite la abrazadera de la correa.
3. Introduzca el extremo de la correa a través del soporte colgante.
4. Tire de la correa nueva a través del soporte colgante.
5. Fije la abrazadera a la nueva correa.

Transporte y almacenamiento

Transporte y almacenamiento



ADVERTENCIA: Para evitar el riesgo de incendio, asegúrese de que no haya fugas ni liberación de gases durante el transporte o el almacenamiento. Asegúrese de que no haya riesgo de chispas o incendio.

- Vacíe el depósito de combustible antes del transporte o de un almacenamiento prolongado. Empuje el bulbo de purga de aire para asegurarse de que se haya quitado todo el combustible. Deseche el combustible en un lugar adecuado para tal propósito.
- Asegúrese de que el producto esté limpio y de que se le realice un mantenimiento completo antes de un almacenamiento prolongado.
- Extraiga la bujía y ponga aproximadamente 15 ml de aceite para motores de dos tiempos en el cilindro. Gire el producto 3 veces e instale nuevamente la bujía.
- Fije el producto de manera segura al vehículo durante el transporte.
- Mantenga el producto en un lugar seco, fresco y limpio con un flujo de aire adecuado. Mantenga el producto alejado de los niños.

Datos técnicos

Datos técnicos

	580BTS Mark III	580BFS Mark III
Motor		
Cilindrada, cm ³	75,6	75,6
Régimen de ralentí, rpm	2000	2000
Silenciador con catalizador	No	No
Sistema de encendido con velocidad regulada	Sí	Sí
Sistema de encendido²		
Bujía	NGK CMR7H	NGK CMR7H
Distancia entre los electrodos, mm/in	0,6-0,7/0,024-0,028	0,6-0,7/0,024-0,028
Combustible y sistema de lubricación		
Capacidad del depósito de combustible, l/pinta EE. UU.	2,6/5,5	2,6/5,5
Peso		
Peso, kg/lb	26,8/12,2	27,1/12,3
Rendimiento del ventilador		
Velocidad máxima del aire con boquilla estándar, m/s/mpH	98/220	98/220
Flujo de aire con boquilla estándar, m ³ /min/cfm	28/1000	28/1000

² El sistema de encendido por chispa cumple con la norma canadiense ICES-002.

Garantía

DECLARACIÓN DE GARANTÍA DEL CONTROL DE EMISIONES DE VAPORES Y DE ESCAPE CONFORME A LA NORMATIVA DE CALIFORNIA, LA NORMATIVA FEDERAL DE LOS ESTADOS UNIDOS Y LA NORMATIVA DE CANADÁ

DERECHOS Y OBLIGACIONES DE LA GARANTÍA

La Junta de Recursos del Aire de California (CARB, del inglés California Air Resources Board), la Agencia de Protección Medioambiental de EE. UU. (EPA, del inglés Environmental Protection Agency), el ministerio de Medioambiente y Cambio Climático de Canadá Husqvarna Forest & Garden se complacen en profundizar sobre la garantía del sistema de control de emisiones de vapores y de escape ("emisiones") para 2021-2022 motores pequeños para todoterreno*. En el estado de California, los nuevos equipos que utilizan motores pequeños para todoterreno se deben diseñar, construir y equipar conforme a las estrictas normas de control de emisiones contaminantes del Estado. Husqvarna Forest & Garden debe proporcionar una garantía para el sistema de control de emisiones del motor pequeño para todoterreno por los períodos que se indican a continuación, siempre que no haya ningún abuso, negligencia ni mantenimiento incorrecto del motor pequeño para todoterreno o del equipo que pueda provocar la falla del sistema de control de emisiones. El sistema de control de emisiones puede incluir piezas como un carburador o un sistema de inyección de combustible, un sistema de encendido, un catalizador, depósitos de combustible, tuberías de combustible (para combustible líquido y vapores de combustible), tapones de combustible, válvulas, depósitos, filtros, abrazaderas y otros componentes asociados. Además, puede incluir mangueras, correas, conectores y otros montajes relacionados con las emisiones. Cuando exista una condición cubierta por la garantía, Husqvarna Forest & Garden reparará el motor de pequeña cilindrada para todoterreno sin costo, incluido el diagnóstico, las piezas y la mano de obra.

COBERTURA DE LA GARANTÍA DEL FABRICANTE

El sistema de control de emisiones de vapores y de escape del motor pequeño para todoterreno tiene una garantía de dos años. Si alguna de las piezas del motor de pequeña cilindrada para todoterreno relacionada con las emisiones tiene una falla, Husqvarna Forest & Garden reparará o reemplazará la pieza.

RESPONSABILIDADES DE GARANTÍA DEL PROPIETARIO

- Como propietario del motor pequeño para todoterreno, usted es responsable de la ejecución del mantenimiento necesario que se detalla en el manual del propietario. Husqvarna Forest & Garden recomienda que conserve todos los recibos que cubran el mantenimiento del motor pequeño para todoterreno; sin embargo, Husqvarna Forest & Garden no puede negar la cobertura de la garantía solo por la falta de recibos o porque no pueda garantizar la realización de todo el mantenimiento programado.
- No obstante, como propietario del motor de pequeña cilindrada para todoterreno debe saber que Husqvarna Forest & Garden puede negar la cobertura de la garantía si dicho motor o una de sus piezas falló como resultado del abuso, negligencia o mantenimiento incorrecto, o modificaciones no aprobadas.
- Usted es responsable de llevar el motor de pequeña cilindrada para uso fuera de carretera a un concesionario de servicio Husqvarna Forest & Garden autorizado lo antes posible en cuanto surja un problema. Las reparaciones bajo garantía se deben realizar dentro de un tiempo razonable que no supere los 30 días. Si tiene preguntas acerca de los derechos y las responsabilidades que implica esta garantía, debe comunicarse con Husqvarna Forest & Garden en EE. UU. al 1-800-487-5951, en CANADÁ al 1-800-805-5523 o enviar un correo electrónico a emissions@husqvarnagroup.com o warranty@hpp-emissions.com.

FECHA DE INICIO DE LA GARANTÍA

El período de garantía comienza en el momento en que se entrega el motor o equipo al comprador final.

EXTENSIÓN DE LA COBERTURA

Husqvarna Forest & Garden le garantiza al comprador final y a cualquier comprador posterior que el motor, así como el equipo, se diseñaron, construyeron y equiparon para que cumplan con las normativas pertinentes adoptadas por la CARB y la EPA, y que está libre de defectos en cuanto a materiales y mano de obra que causen la falla de una pieza cubierta por la garantía durante un período de dos años.

ELEMENTOS CON COBERTURA

REPARACIÓN O REEMPLAZO DE PIEZAS: La reparación o el reemplazo de cualquier pieza defectuosa en garantía se realizará sin cargo para el propietario en un taller de servicio autorizado. El propietario puede elegir el taller de reparación o una persona que realice los servicios de mantenimiento, reemplazo o reparación de los dispositivos y sistemas de control de emisiones, con excepción de las reparaciones y el reemplazo detallados en esta garantía de control de emisiones. Sin embargo, Husqvarna Forest & Garden recomienda que un taller de servicio

autorizado de la marca realice todos los servicios de mantenimiento, reemplazo y reparación de los dispositivos y sistemas de control de emisiones.

IMPORTANTE: Este producto cumple con la normativa Fase 3 de la EPA (Environmental Protection Agency, Agencia de Protección Medioambiental) de EE. UU. referente a emisiones de escape y evaporación. Para garantizar el cumplimiento de la EPA Fase 3 de EE. UU. y con las regulaciones de la Junta de Recursos del Aire de California (California Air Resources Board) y del ministerio de Medioambiente y Cambio Climático de Canadá (Environment and Climate Change Canada), recomendamos utilizar únicamente piezas de repuesto originales de la marca del producto. El uso de piezas de repuesto que no cumplan con esta norma es una violación de las leyes federales y estatales.

PERÍODO DE GARANTÍA: Cualquier pieza cubierta por la garantía que no esté programada para reemplazo como mantenimiento necesario, o que esté programada solo para una inspección regular al efecto de "reparación o reemplazo según sea necesario", contará con una garantía de 2 años (o la duración establecida en la garantía del producto, lo que sea mayor) desde la fecha de compra del comprador original. Toda pieza que esté programada para su sustitución como parte del mantenimiento necesario estará garantizada por el período hasta la primera sustitución programada de la pieza. Cualquier pieza reparada o sustituida en conformidad con la garantía debe estar garantizada durante el lapso restante del período.

DIAGNÓSTICO: No se aplicarán tarifas por los trabajos de diagnóstico que lleven a determinar que una pieza bajo garantía se encuentra de hecho defectuosa, siempre y cuando dicho trabajo de diagnóstico se realice en un taller de servicio autorizado de la marca.

OTROS DAÑOS: Husqvarna Forest & Garden reparará los daños a otros componentes del motor causados por la falla de una pieza garantizada que aún se encuentre cubierta por la garantía.

LISTADO DE PIEZAS DE EMISIONES CUBIERTAS POR LA GARANTÍA

1. Carburador y piezas de admisión o sistemas de inyección de combustible.
2. Filtro de aire y filtro de combustible, cubiertos hasta el programa de mantenimiento.
3. Bujía, cubierta hasta el programa de mantenimiento.
4. Módulo de ignición.
5. Silenciadores con catalizadores y colectores de escape.
6. Depósito de combustible, tuberías de combustible (para combustible líquido y vapores de combustible), tapón de combustible, depósito de carbono y válvulas de seguridad o antiderrame, según corresponda**.
7. Controles electrónicos, y válvulas e interruptores susceptibles al tiempo, la temperatura y la succión.
8. Mangueras, conectores y montajes.

9. Todos los otros componentes cuya falla aumentaría las emisiones de vapores y de escape del motor de cualquier contaminante reglamentado, como se establece en la siguiente sección:

- En el caso del estado de California, consulte el California Code of Regulation (Código de Regulaciones de California) 13 CCR §2405(d) y 2760(d).
- Para los Estados Unidos y Canadá, consulte el US Federal Code of Regulations (Código de disposiciones federales de los Estados Unidos), 40 C.F.R 1068, Anexo I (III).

ELEMENTOS SIN COBERTURA

Las fallas causadas por abuso, negligencia, modificaciones no aprobadas, mal uso o mantenimiento incorrecto no están cubiertas por la garantía.

AÑADIDURAS O PIEZAS MODIFICADAS: No pueden utilizarse las añadiduras o piezas modificadas no exentas por la CARB o la EPA. La utilización de añadiduras o de piezas modificadas no exentas podrá servir de fundamento para anular una reclamación de garantía. Husqvarna Forest & Garden no será responsable de las fallas de garantía de las piezas garantizadas provocadas por el uso de complementos o piezas modificadas no exentas.

CÓMO PRESENTAR UNA RECLAMACIÓN

Si tiene preguntas relacionadas con sus derechos y responsabilidades de la garantía, deberá comunicarse con su concesionario de servicio autorizado más cercano o llamar a Husqvarna Forest & Garden en EE. UU. al 1-800-487-5951, en CANADÁ al 1-800-805-5523 o enviar un correo electrónico a emissions@husqvarnagroup.com o warranty@hpp-emissions.com.

DÓNDE OBTENER SERVICIOS DE LA GARANTÍA

Las reparaciones o los servicios de la garantía se brindan a través de todos los talleres de servicio autorizados de Husqvarna Forest & Garden. Si el taller de servicio autorizado más cercano se encuentra a más de 160 kilómetros (100 millas) de su ubicación, Husqvarna Forest & Garden se encargará de organizar y pagar los costos de envío al taller de servicio autorizado de la marca, y desde este, o dispondrá un servicio de garantía en conformidad con las normativas correspondientes.

MANTENIMIENTO, REEMPLAZO Y REPARACIÓN DE PIEZAS RELACIONADAS CON EL CONTROL DE EMISIONES

Cualquier pieza para sustituir una defectuosa puede utilizarse en cualquier mantenimiento o reparación bajo garantía y deben proporcionarse al propietario sin cargo. Dicho uso no reducirá las obligaciones de la garantía por parte del fabricante.

DECLARACIÓN DE MANTENIMIENTO

El propietario es responsable de la realización de todo el mantenimiento requerido, según se establece en el manual del propietario.

* El año del modelo actual y subsiguiente se actualizará anualmente en la declaración de garantía proporcionada al consumidor. Por ejemplo, en el año del modelo 2012, se especificará 2012-2013.

** Piezas de emisiones evaporativas.

Table des matières

Introduction.....	43	Entretien.....	56
Sécurité.....	46	Transport et entreposage.....	59
Montage.....	52	Données techniques.....	60
Fonctionnement.....	53	Garantie.....	61

Introduction

Proposition 65 de la Californie



ATTENTION!

Les émissions du moteur de cet outil contiennent des produits chimiques qui, d'après l'État de Californie, peuvent causer le cancer, des malformations congénitales ou autre danger pour la reproduction

Description du produit

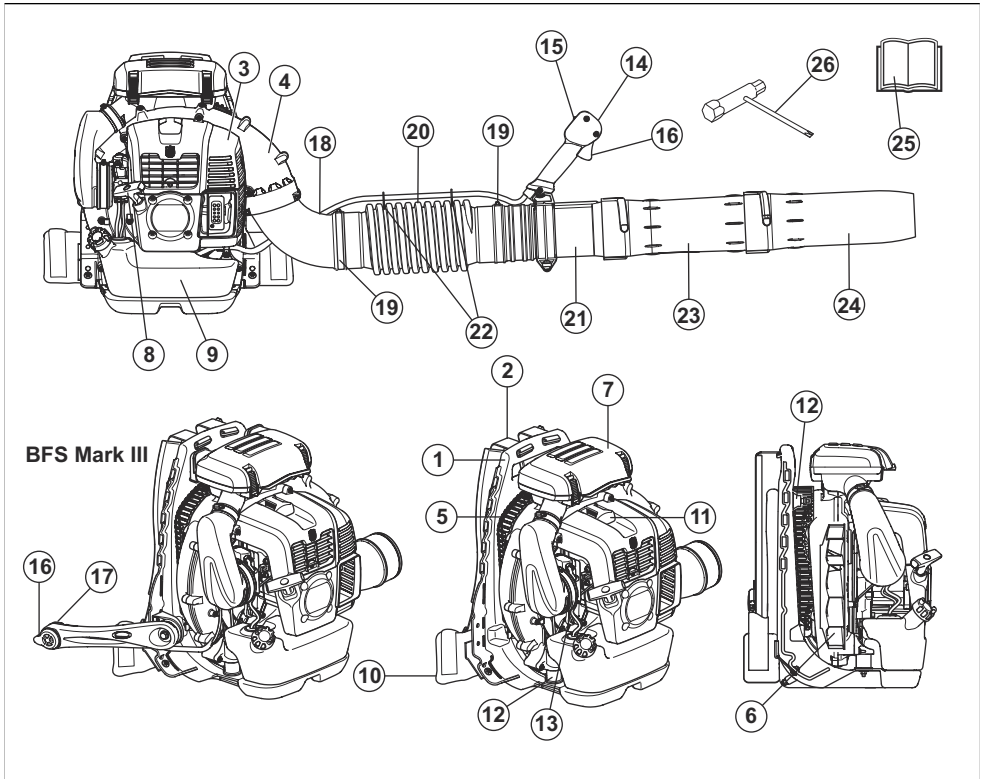
Ce produit est un souffleur dorsal avec moteur thermique.

Nous avons une politique de développement continu et nous réservons donc le droit de modifier la conception et l'apparence des produits sans préavis.

Utilisation prévue

Utiliser ce produit pour souffler les feuilles et les autres matériaux indésirables des zones telles que des pelouses, des allées et des voies asphaltées.

Présentation de l'appareil



BFS Mark III

1. Cadre
2. Harnais
3. Couvercle moteur
4. Boîtier du ventilateur
5. Grille de prise d'air
6. Ventilateur
7. Filtre à air
8. Corde du lanceur
9. Réservoir de carburant
10. Ceinture
11. Bougie d'allumage
12. Système antivibrations
13. Commande de l'étrangleur
14. Poignée
15. Interrupteur d'arrêt avec réglage de la position de l'accélérateur
16. Gâchette d'accélération/levier d'accélération
17. Interrupteur d'arrêt
18. Tuyau coudé
19. Collier

20. Tuyau flexible
21. Tuyau de commande
22. Collier de câble
23. Tuyau intermédiaire
24. Buse standard
25. Manuel d'utilisation
26. Clé à usages multiples

Symboles figurant sur le produit



AVERTISSEMENT! Ce produit est dangereux. L'opérateur ou les personnes à proximité peuvent subir des blessures graves voire mortelles, si le produit n'est pas utilisé correctement et avec précaution. Pour éviter des blessures à l'opérateur ou aux personnes à proximité, lire et respecter toutes les consignes de sécurité contenues dans le manuel d'utilisation.



Avant d'utiliser la tondeuse, lire attentivement le manuel d'utilisation et veiller à bien comprendre les directives.



Utiliser un dispositif de protection pour les oreilles et des lunettes de protection homologués. Si l'environnement contient de la poussière, utiliser un masque respiratoire.



Utiliser des gants de protection homologués.



Risque de perte des doigts ou de la main dans l'aube de la soufflante.



Mélange d'essence et d'huile pour moteur à deux-temps.



Pompe à carburant.



Tenir toute partie du corps à l'écart des surfaces chaudes.



Étrangleur en position ouverte.



Étrangleur en position fermée.



Faire preuve de prudence à l'égard des projections d'objets. La projection d'objets peut causer des blessures graves. Utiliser de l'équipement de protection individuelle.



aaaassxxxx

Maintenir une distance de sécurité d'au moins 15 m avec d'autres personnes ou des animaux.

La plaque signalétique ou l'impression au laser indique le numéro de série où **yyyy** représente l'année de production et **ww** la semaine de production.

Remarque : Les autres symboles/autocollants présents sur l'outil renvoient aux exigences en matière de certification pour d'autres zones commerciales.

EPA III

La période de conformité aux normes d'émissions indiquée sur les étiquettes de conformité aux normes d'émissions se rapporte au nombre d'heures de fonctionnement du moteur qui répond aux exigences fédérales en matière d'émissions. N'importe quel établissement ou agent de réparation de moteur non routier peut effectuer l'entretien, le remplacement et la réparation des dispositifs et du système de contrôle des émissions.

EMISSION CONTROL INFORMATION

Husqvarna

HUSQVARNA AB HUSKVARNA SWEDEN
THIS ENGINE MEETS U.S. EPA EXH/EVP
REGS FOR [] SORE. REFER TO
OPERATOR'S MANUAL FOR MAINTENANCE
SPECIFICATIONS AND ADJUSTMENTS.
EMISSIONS COMPLIANCE PERIOD: [] HRS

ABRÉVIATIONS SUR LES ÉTIQUETTES DU SYSTÈME DE CONTRÔLE DES ÉMISSIONS

Généralités :

CAL	Californie	EXH/EVP	Échappement et évaporation	REGS	Règlements
DISPL	Cylindrée	EVAP	Évaporation	SORE	Petits moteurs hors route
ECS	Système de contrôle des émissions	HRS	Heures	US EPA	Office de protection de l'environnement des États-Unis

Système de contrôle des émissions d'échappement :

ECM	Module de commande du moteur (Autotune)	OC	Catalyseur oxydant
EM	Modification du moteur	TWC	Catalyseur tri-fonctionnel

Systèmes de contrôle des émissions par évaporation :

C	Coextrudé (multi-couche)	P	Polyéthylène ou polyéthylène haute densité traité
N	Nylon	S	Fermé hermétiquement

Responsabilité concernant le produit

Comme indiqué dans les lois en vigueur sur la responsabilité concernant les produits, nous ne serons pas tenus responsables des dommages que notre produit causerait dans les situations suivantes :

- Le produit n'est pas réparé de façon adéquate.
- Le produit est réparé avec des pièces qui ne sont pas fournies ou homologuées par le fabricant.
- Le produit comprend un accessoire qui n'est pas fourni ou homologué par le fabricant.
- Le produit n'est pas réparé par un centre de service après-vente agréé ou par une autorité homologuée.

Sécurité

Définitions relatives à la sécurité

Les avertissements, recommandations et remarques soulignent des points du manuel qui revêtent une importance particulière.



AVERTISSEMENT : Indique la présence d'un risque de blessure ou de décès de l'utilisateur ou de personnes à proximité si les instructions du manuel ne sont pas suivies.



MISE EN GARDE : Indique la présence d'un risque de dommages au produit, à d'autres appareils ou à la zone adjacente si les instructions du manuel ne sont pas suivies.

Remarque : Utilisé pour donner des renseignements plus détaillés qui sont nécessaires dans une situation donnée.

Consignes générales de sécurité



AVERTISSEMENT : Lire les messages d'avertissement qui suivent avant d'utiliser l'outil.

- La conception du produit ne peut en aucun cas être modifiée sans l'autorisation du fabricant. Toujours utiliser des accessoires d'origine. Les modifications et/ou les accessoires non autorisés peuvent entraîner des blessures graves ou la mort de l'opérateur ou d'autres personnes.
- Ne jamais utiliser un appareil qui a été modifié de quelque manière que ce soit par rapport aux spécifications d'origine.
- Ne jamais utiliser un appareil défectueux. Effectuer les vérifications de sécurité, de maintenance et d'entretien conformément aux instructions fournies dans ce manuel. Certaines mesures de maintenance et d'entretien doivent être effectuées par des spécialistes formés et qualifiés. Se reporter à la

section *Calendrier d'entretien à la page 56* pour obtenir des instructions.

- Tous les travaux de réparation nécessitent une formation spéciale. Ceci concerne particulièrement l'équipement de sécurité. Ne jamais utiliser un produit dont les équipements de sécurité sont défectueux. Si les contrôles décrits dans ce manuel de l'opérateur ne sont pas concluants, vous devez communiquer avec un atelier spécialisé. Les équipements de sécurité du produit doivent être entretenus comme décrit dans ce manuel d'utilisation. L'achat de l'un de nos produits offre à l'acheteur la garantie d'un service et de réparations qualifiés. Si le détaillant qui vous a vendu le produit n'est pas un centre de service agréé, demandez-lui l'adresse de l'atelier spécialisé le plus proche.

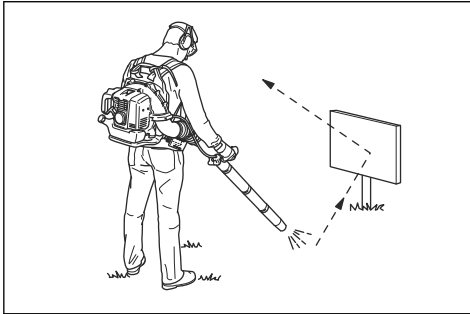
Consignes de sécurité pour l'utilisation



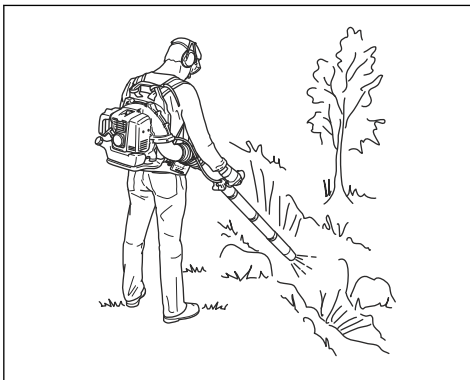
AVERTISSEMENT : Lire les messages d'avertissement qui suivent avant d'utiliser l'appareil.

- Ce produit est un outil dangereux s'il est utilisé de manière incorrecte ou avec négligence, ce qui peut provoquer des blessures graves, voire mortelles. Il est extrêmement important de lire et de comprendre le contenu de ce manuel de l'opérateur.
- L'exposition prolongée au bruit peut causer des lésions auditives permanentes. Toujours utiliser un dispositif de protection homologué pour les oreilles.
- Effectuer une inspection générale de la machine avant de l'utiliser. Se reporter à *Calendrier d'entretien à la page 56*.
- Ne jamais utiliser la machine en cas de fatigue, d'absorption d'alcool ou de prise de médicaments susceptibles de nuire à la vision, au bon jugement ou à la maîtrise du corps.
- Porter un équipement de protection personnelle. Se reporter à *Équipement de protection personnelle à la page 48*.
- Tous les couvercles et toutes les protections doivent être montés avant le démarrage. S'assurer que le capuchon de la bougie d'allumage et le fil d'allumage ne sont pas endommagés, afin d'éviter le risque de décharge électrique.
- L'utilisateur du souffleur doit s'assurer que personne et qu'aucun animal ne se tienne à moins de 15 m. Lorsque plusieurs utilisateurs travaillent dans une même zone, ils doivent maintenir une distance de sécurité d'au moins 15 m les uns des autres.
- Ne jamais laisser un enfant manœuvrer la machine. Ne jamais laisser des gens utiliser la machine sans d'abord s'assurer qu'ils ont lu et compris le contenu du manuel de l'opérateur.
- Toujours vérifier qu'aucun objet n'obstrue la grille de prise d'air avant de commencer les travaux.
- Ne retirez jamais la grille de prise d'air.
- En cas d'urgence, libérez-vous de la machine : ouvrez la ceinture et la bride d'épaule, et laissez la machine tomber vers l'arrière.
- Consultez toujours les autorités locales pour vous assurer de respecter les règlements en vigueur.
- Tenir toute partie du corps à l'écart des surfaces chaudes.
- Ne jamais démarrer la machine à l'intérieur. Les gaz d'échappement du moteur sont nocifs s'ils sont inhalés.
- Observer et rester conscient de l'environnement. S'assurer qu'aucune personne et qu'aucun animal ne peut se trouver en contact avec le produit. Si une personne s'approche de la zone de travail, ramener la commande d'accélération au régime le plus bas jusqu'à ce que cette personne se trouve à une distance sécuritaire. Diriger le produit à l'écart des personnes, des animaux, des aires de jeux, des fenêtres ouvertes, des voitures, etc. Aucune personne non autorisée ou animal ne doit se trouver dans la zone de travail à moins de 15 mètres.
- La surexposition aux vibrations peut engendrer des problèmes circulatoires ou des troubles nerveux, en particulier chez les personnes ayant des troubles circulatoires. En cas de symptômes liés à une surexposition aux vibrations, consulter un médecin. Voici certains de ces symptômes : engourdissement, perte de sensibilité, fourmillement, picotement, douleur, faiblesse musculaire, décoloration ou modification de l'épiderme. Ces symptômes apparaissent normalement aux doigts, aux mains et aux poignets. Les risques augmentent à basse température.
- Les gaz d'échappement du moteur contiennent du monoxyde de carbone pouvant provoquer l'intoxication. C'est la raison pour laquelle il ne faut pas démarrer ou utiliser le produit à l'intérieur ou dans un lieu mal aéré. Les gaz d'échappement du moteur sont chauds et peuvent contenir des étincelles qui peuvent causer un incendie. Ne jamais démarrer l'appareil à l'intérieur ou à proximité de matériaux combustibles.
- Laisser le moteur refroidir avant de remplir le réservoir.

- Les puissants jets d'air peuvent déplacer des objets à une vitesse telle qu'ils peuvent ricocher et causer de graves blessures aux yeux.

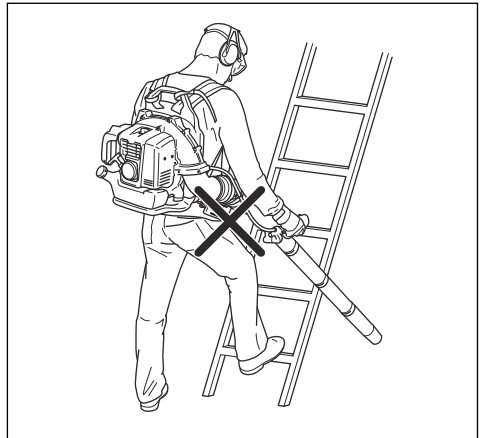


- Ne jamais diriger le jet d'air vers des personnes ou des animaux.
- Ne pas utiliser la machine par mauvais temps, par exemple, en cas de brouillard épais, de forte pluie, de vent violent, de grand froid, etc. Travailler par mauvais temps est éprouvant et ajoute des risques, par exemple, un sol glissant.
- Réduire la durée d'utilisation en humidifiant légèrement les zones poussiéreuses ou en utilisant un pulvérisateur.
- Assurez-vous qu'il est possible de vous déplacer et de vous tenir debout en toute sécurité. Repérer les éventuels obstacles (racines, roches, branches, fossés, etc.) en cas de déplacement imprévu. Faire très attention en travaillant sur une pente.



- Ne jamais déposer l'outil quand le moteur marche à moins de l'avoir sous les yeux.
- Ne jamais utiliser le produit à partir d'échelles ou d'endroits surélevés (comme des toits). Non

seulement c'est interdit, mais cela peut provoquer des blessures corporelles graves.



- Ne pas utiliser le produit s'il est impossible d'appeler de l'aide en cas d'accident.
- Faire preuve de prudence à l'égard des projections d'objets. Toujours porter des lunettes de protection. Des pierres, des débris, etc. peuvent être projetés dans vos yeux, ce qui peut causer la cécité ou des blessures graves. Tenir à l'écart toute personne non autorisée. Les enfants, les animaux, les observateurs et les collègues doivent se trouver à l'extérieur de la zone de sécurité, soit à une distance d'au moins 15 m. Arrêter la machine immédiatement si une personne s'approche.
- Ne pas faire fonctionner le produit si la sortie d'échappement est obstruée par un mur ou un autre obstacle. Cela peut endommager le produit. S'assurer de maintenir une distance d'au moins 50 cm par rapport aux obstacles pendant le fonctionnement.
- Arrêter toujours le moteur avant d'effectuer le nettoyage.
- Toujours éloigner le produit de la zone et de la source de remplissage avant de démarrer. Placer le produit sur une surface plane.
- Le produit ne peut démarrer que si tous ses éléments sont montés. Tout démarrage du produit alors que ses protections ne sont pas toutes en place constitue un risque de blessures personnelles.

Équipement de protection personnelle

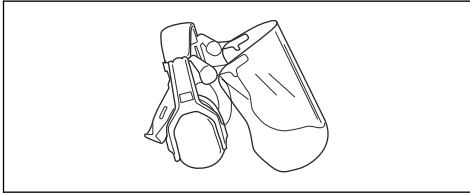


AVERTISSEMENT : Lire les messages d'avertissement qui suivent avant d'utiliser l'appareil.

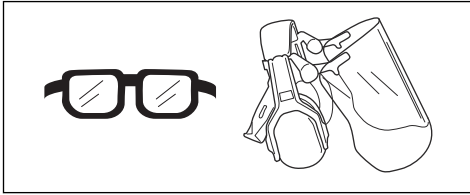
- Toujours utiliser un équipement de protection personnelle homologué lors de l'utilisation de l'appareil. Cet équipement de protection personnelle n'élimine pas complètement les risques de blessures, mais il peut en réduire la gravité en cas

d'accident. Laisser le concessionnaire vous aider à sélectionner l'équipement adéquat.

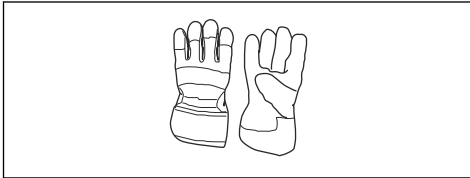
- Utiliser un dispositif de protection homologué pour les oreilles.



- Utiliser un dispositif de protection homologué pour les yeux. Porter également des lunettes de protection homologuées en cas d'utilisation d'une visière. Les lunettes de protection homologuées doivent être conformes à la norme ANSI Z87.1 aux États-Unis ou à la norme EN 166 dans les pays de l'Union européenne.



- Utiliser des gants au besoin, par exemple lors de l'examen ou du nettoyage du produit.

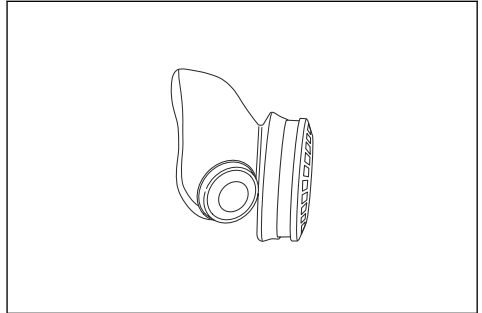


- Utiliser des bottes de protection ou des chaussures avec semelles antidérapantes.

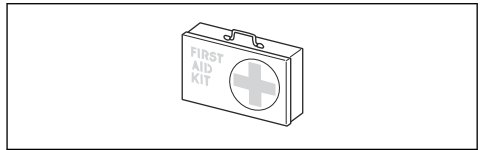


- Utiliser des vêtements faits de tissus résistants. Toujours utiliser des pantalons longs et lourds et des manches longues. Ne pas porter des vêtements amples qui peuvent se prendre dans les broussailles et les branches. Ne pas porter des bijoux, des pantalons courts, des chaussures ouvertes et ne pas marcher pieds nus. Garder les cheveux au-dessus de vos épaules.

- Utiliser une protection respiratoire lorsqu'il y a un risque de poussière.



- Garder une trousse de premiers soins à portée de main.



Dispositifs de sécurité sur l'outil



AVERTISSEMENT : Lire les messages d'avertissement qui suivent avant d'utiliser l'outil.

Cette section décrit l'équipement de sécurité du produit, son but et la façon d'en effectuer les inspections et l'entretien afin de s'assurer qu'il fonctionne correctement. Voir les instructions à la section *Présentation de l'appareil à la page 44* pour savoir où se trouvent ces pièces sur votre produit.

La durée de vie du produit peut être réduite et le risque d'accident peut augmenter si l'entretien de la machine n'est pas effectué correctement et si l'entretien ou les réparations ne sont pas effectués de façon professionnelle. Pour obtenir de plus amples informations, communiquer avec le concessionnaire le plus proche.



AVERTISSEMENT : Ne jamais utiliser un produit dont les composants de sécurité sont défectueux. L'équipement de sécurité du produit doit être inspecté et entretenu selon les directives de la présente section. Si une inspection de la machine détecte une panne, communiquez avec un atelier spécialisé pour réparation.



MISE EN GARDE : Tous les travaux de réparation nécessitent une formation spéciale. Ceci concerne particulièrement l'équipement de sécurité de

la machine. Si les contrôles suivants ne donnent pas un résultat positif, vous devez communiquer avec un atelier spécialisé. L'achat de l'un de nos produits offre à l'acheteur la garantie d'un service et de réparations qualifiés. Si le détaillant qui vous a vendu la machine n'est pas un centre de service agréé, demandez-lui l'adresse de l'atelier spécialisé le plus proche.

Pour vérifier le silencieux



AVERTISSEMENT : Ne pas utiliser un produit dont le silencieux est défectueux.



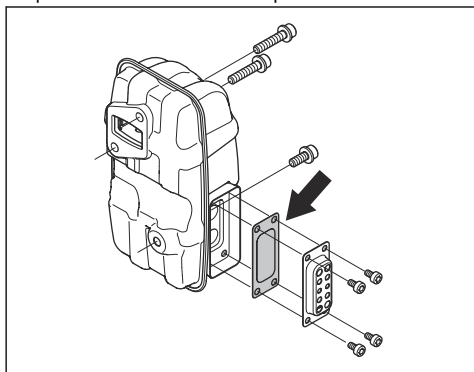
AVERTISSEMENT : Le silencieux devient extrêmement chaud pendant et après utilisation, même lorsque le moteur tourne au ralenti. Utiliser des gants de protection pour éviter des brûlures.

Le silencieux maintient le niveau de bruit au minimum et dirige les gaz d'échappement loin de l'utilisateur.

1. Couper le moteur.
2. Effectuer une inspection visuelle pour détecter d'éventuels dommages ou déformation.

Remarque : Les surfaces internes du silencieux contiennent des produits chimiques pouvant causer des cancers. Faire attention à ne pas toucher ces éléments si le silencieux est endommagé.

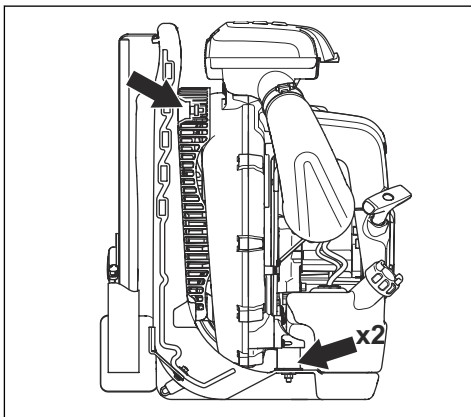
3. S'assurer que le silencieux est bien fixé sur le produit. Serrer les vis au couple de 8 à 12 Nm.



4. Examiner l'écran pare-étincelles, effectuer un contrôle visuel.
 - a) Si l'écran pare-étincelles est endommagé, le remplacer.
 - b) Si l'écran pare-étincelles est bloqué, le nettoyer. Reportez-vous à la section *Entretien du silencieux* à la page 58 pour plus de détails.

Système antivibrations

Le produit est doté d'un système antivibrations qui amortit les vibrations et rend l'utilisation plus confortable. Examiner le système antivibrations et vérifier qu'il n'est pas endommagé. S'assurer que le système antivibrations est bien fixé.

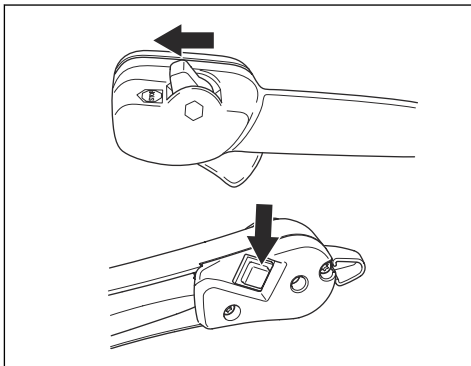


Filtre à air

Ne pas utiliser ce produit sans son filtre à air et vérifier que celui-ci n'est pas endommagé, qu'il ne présente aucune déformation.

Interrupteur d'arrêt

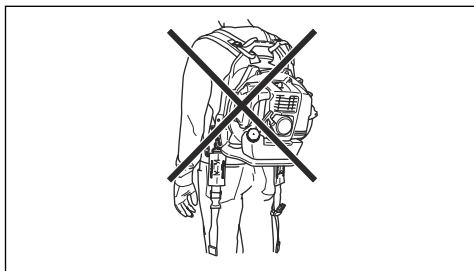
Utiliser l'interrupteur d'arrêt pour arrêter le moteur. S'assurer que le moteur s'arrête complètement.



Sécurité du harnais

Toujours porter le harnais lors de l'utilisation de la machine. Si vous n'utilisez pas le harnais, vous ne pouvez pas utiliser le produit en toute sécurité. Cela peut engendrer des blessures pour vous et pour d'autres personnes. Assurez-vous que la ceinture et la sangle d'épaule soient bien fixées et réglées.

correctement. Sinon, il y a un risque que la ceinture se prenne dans la turbine du produit.



Sécurité – carburant



AVERTISSEMENT : Lire les messages d'avertissement qui suivent avant d'utiliser l'outil.

- Ne pas mélanger le carburant à l'intérieur ou à proximité d'une source de chaleur.
- Ne pas démarrer l'outil s'il y a du carburant ou de l'huile moteur sur l'outil. Nettoyer le carburant ou l'huile et laisser sécher l'outil. Nettoyer tout carburant qui souille l'outil.
- Si du carburant se déverse sur les vêtements, changer immédiatement de vêtement.
- Ne pas déverser du carburant sur le corps; cela pourrait causer des blessures. Si du carburant se déverse sur le corps, se nettoyer au savon doux et à l'eau.
- Ne pas démarrer le moteur si de l'huile ou du carburant se renverse sur l'outil ou sur le corps.
- Ne pas démarrer l'outil si le moteur présente une fuite. Vérifier régulièrement le moteur à la recherche de fuites.
- Faire preuve de prudence lors de la manipulation du carburant. Celui-ci est inflammable et ses vapeurs sont explosives et peuvent causer des blessures ou la mort.
- Ne pas respirer les vapeurs de carburant, car elles peuvent causer des blessures. S'assurer que la ventilation est suffisante.
- Ne pas fumer à proximité du carburant ou du moteur.
- Ne pas placer des objets chauds à proximité du carburant ou du moteur.
- Ne pas faire le plein de carburant lorsque le moteur tourne.
- Vérifier que le moteur est froid avant de faire le plein.
- Avant de faire le plein, ouvrir lentement le couvercle du réservoir de carburant et relâcher la pression avec précaution.

- S'assurer que le débit d'air est suffisant lors du ravitaillement et du mélange de carburant (essence et huile deux temps) ou lors de la vidange du réservoir de carburant.
- Le carburant et les vapeurs de carburant sont extrêmement inflammables et peuvent causer des blessures très graves en cas d'inhalation ou de contact avec la peau. Pour cette raison, faire preuve de prudence lors de la manipulation du carburant et s'assurer que le débit d'air est suffisant.
- Serrer le couvercle du réservoir de carburant avec précaution, car un feu pourrait se déclencher.
- Avant de démarrer l'outil, le déplacer à au moins 3 m (10 pi) de la position où le plein de carburant a été fait.
- Ne pas mettre trop de carburant dans le réservoir de carburant.
- Vérifier qu'une fuite ne peut se produire lorsqu'on déplace l'outil ou le bidon d'essence.
- Ne pas placer l'outil ou un bidon d'essence dans un espace où il y a une flamme nue, des étincelles ou une veilleuse. Vérifier que la zone de stockage ne contient pas de flamme nue.
- Utiliser seulement des conteneurs agréés pour transporter ou stocker le carburant.
- Vider le réservoir de carburant avant de le remiser pour une période prolongée. Toujours respecter la législation locale sur la façon de mettre le carburant au rebut.
- Nettoyer l'outil avant de le remiser pour une période prolongée.
- Débrancher le chapeau de bougie avant de remiser le produit, pour que le moteur ne démarre pas par inadvertance.

Consignes de sécurité pour la maintenance



AVERTISSEMENT : Lire les messages d'avertissement qui suivent avant d'utiliser l'outil.

- Votre garantie ne couvre pas les dommages ou la responsabilité causés par l'utilisation d'accessoires ou de pièces de rechange non autorisés.
- L'intérieur du silencieux contient des produits chimiques pouvant être cancérigènes. Éviter tout contact avec ces éléments si le silencieux est endommagé.
- Arrêter le moteur avant de monter ou démonter des accessoires ou d'autres pièces.
- Vérifier que la grosse broche ronde du collier de serrage est insérée dans la sangle. Si elle est mal insérée, elle peut causer des blessures personnelles.

Montage

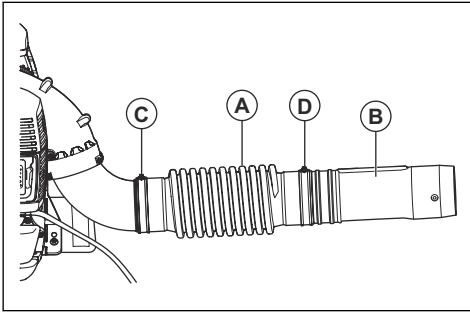
Introduction



AVERTISSEMENT : Lire et comprendre le chapitre sur la sécurité avant d'assembler le produit.

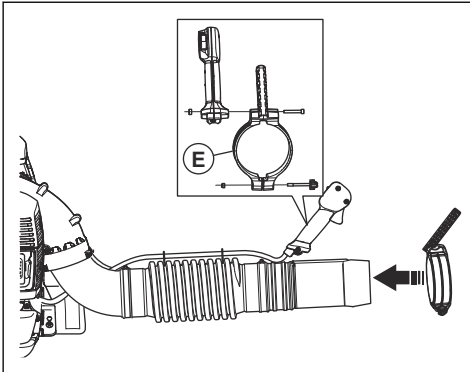
Assemblage du tube et de la poignée sur le produit :580BTS Mark III

1. Fixer le tuyau flexible (A) sur le tuyau coudé et le tuyau de commande (B) avec les colliers (C) et (D).



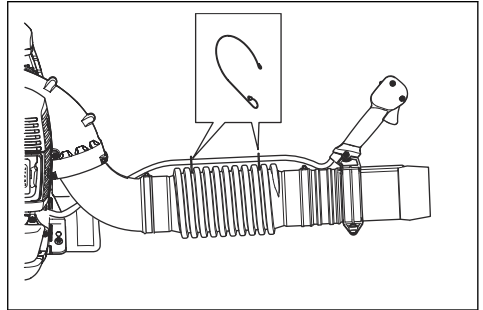
Remarque : Lubrifier le tuyau de commande et le tuyau flexible pour en faciliter l'assemblage.

2. Fixer la poignée (E) sur le tube de commande et placer le bouton à travers la poignée.

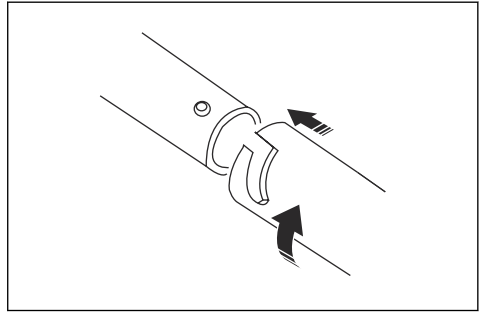


3. Serrer le bouton.

4. Attacher les câbles au tuyau flexible avec le collier du câble.



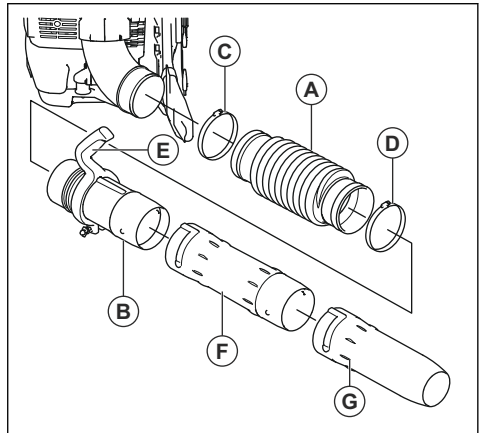
5. Fixer le tube intermédiaire sur le tuyau de commande.



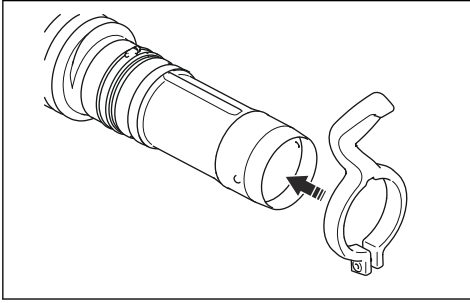
6. Fixer la buse du souffleur sur le tube intermédiaire.

Assemblage du tube et de la poignée sur le produit :580BFS Mark III

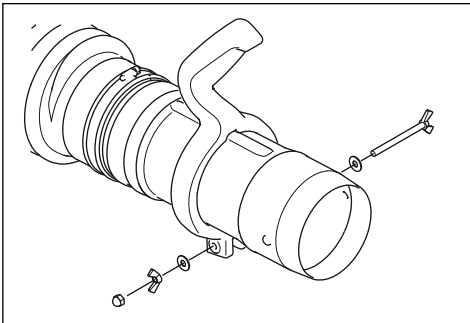
1. Fixer le tuyau flexible (A) sur le tuyau coudé avec le collier de serrage (C).



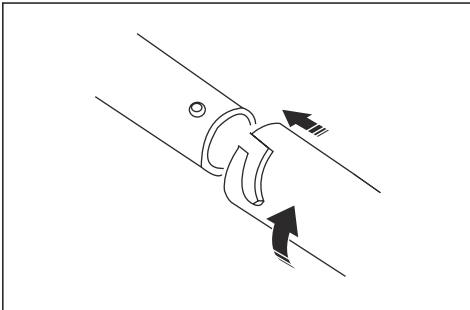
2. Pousser la poignée (E) sur le tuyau de commande (B)



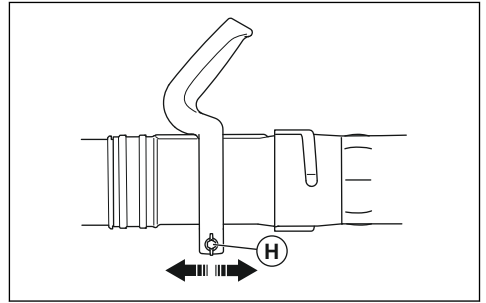
3. Fixer et serrer le boulon, la rondelle et les écrous comme indiqué sur l'illustration.



4. Fixer le tuyau de commande (B) sur le tuyau flexible (A) avec le collier (D). Vérifier que le repère sur le tuyau de commande est vers le haut.
5. Fixer le tube intermédiaire (F) sur le tuyau de commande.



6. Fixer la buse (G) du souffleur sur le tube intermédiaire.
7. Desserrer le bouton (H) pour régler la position de la poignée.

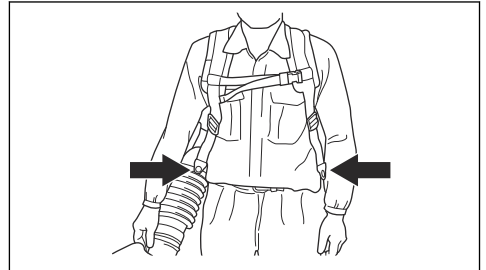


8. Serrer fermement le bouton à nouveau.

Réglage du harnais

Le harnais et ce produit bien adaptés simplifient leur utilisation.

1. Enfiler correctement le harnais du produit.
2. Serrer les ceintures latérales jusqu'à ce que le produit soit bien ajusté au corps.



3. Connecter la sangle de poitrine à la pince.
4. Serrer la sangle.

Fonctionnement

Introduction



AVERTISSEMENT : Lire et comprendre le chapitre sur la sécurité avant d'utiliser le produit.

Carburant

Utilisation du carburant



MISE EN GARDE : Cet outil est équipé d'un moteur à deux-temps. Utiliser un mélange d'essence et d'huile pour moteur à deux-temps. Prendre soin de verser la bonne quantité d'huile dans le mélange. Un mauvais rapport essence/huile peut endommager le moteur.

Carburant alkylat Husqvarna



MISE EN GARDE : Ne pas utiliser d'essence à indice d'octane inférieur à 90 RON (87 AKI). Cela pourrait endommager le produit.



MISE EN GARDE : Ne pas utiliser d'essence avec une concentration d'éthanol supérieure à 10 % (E10). Cela pourrait endommager l'outil.



MISE EN GARDE : Ne pas utiliser d'essence au plomb. Cela pourrait endommager l'outil.

Il est recommandé d'utiliser le carburant alkylat Husqvarna pour obtenir une performance optimale. Ce carburant donne des gaz d'échappement moins dangereux par rapport au carburant ordinaire. Il permet de garder le moteur propre et augmente la durée de vie du moteur. Le carburant alkylat Husqvarna n'est pas disponible dans toutes les zones commerciales.

- Toujours utiliser de l'essence neuve sans plomb d'indice d'octane minimal de 90 RON (87 AKI) et avec une concentration en éthanol inférieure à 10 % (E10).
- Utiliser de l'essence avec un taux d'octane supérieur pour utiliser fréquemment le produit à régime moteur élevé en permanence.
- Toujours utiliser un mélange essence sans plomb-huile de bonne qualité.

Huile à moteur deux-temps

- Pour obtenir un meilleur résultat et un fonctionnement optimal, toujours utiliser Husqvarna de l'huile pour moteur deux-temps, fabriquée spécialement pour nos moteurs deux-temps.
- Si Husqvarna l'huile pour moteur à deux temps n'est pas disponible, utiliser une autre huile pour moteur à deux temps de bonne qualité fabriquée pour des moteurs refroidis à l'air. Communiquer avec votre centre de service agréé lors de la sélection d'une huile.

- Ne pas utiliser l'huile pour moteur à deux temps dans des moteurs hors-bord refroidis à l'eau, également appelée huile pour moteur hors-bord.
- Ne pas utiliser de l'huile conçue pour des moteurs à quatre temps.

Essence, l	Huile pour moteur à deux temps, l
	2 % (50:1)
5	0,10
10	0,20
15	0,30
20	0,40
gallon US	once liquide US
1	2 ½
2 ½	6 ½
5	12 ¾

Mélange de carburant

Remarque : Utiliser toujours un récipient de carburant propre pour mélanger le carburant.

Remarque : Ne pas effectuer une quantité de mélange de carburant pour plus de 30 jours.

1. Ajouter la moitié de la quantité d'essence.
2. Ajouter la quantité totale d'huile.
3. Agiter le mélange de carburant pour mélanger le contenu.
4. Ajouter l'essence restante.
5. Agiter le mélange de carburant pour mélanger le contenu.
6. Remplir le réservoir de carburant.

Ajout de carburant

- Toujours utiliser un bidon d'essence comportant un robinet antidéversement.
- S'il y a un peu de carburant sur ou dans le récipient, nettoyer le carburant et laisser le récipient au sec.
- Vérifier que le couvercle du réservoir de carburant est propre.
- Agiter le récipient à carburant avant d'ajouter le mélange de carburant dans le réservoir de carburant.

Remplissage du réservoir de carburant

1. Mettre le produit hors tension.

2. Placer la machine sur une surface plane.
3. Desserrer le bouchon du réservoir de carburant pour relâcher la pression dans le réservoir de carburant.
4. Retirer le couvercle du réservoir de carburant.
5. Remplir le réservoir de carburant à 80 %.
6. Serrer fermement le couvercle du réservoir de carburant.
7. S'assurer qu'il n'y a pas de fuite dans le réservoir de carburant.

Avant d'utiliser le produit



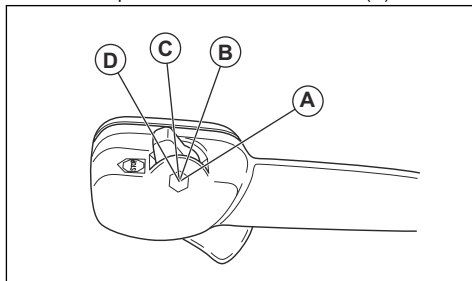
AVERTISSEMENT : Lire les instructions de sécurité avant d'utiliser le produit.

- Utilisez le souffleur au plus petit régime possible. Un plus petit régime signifie moins de bruit et de poussière, et il est également plus facile de garder le contrôle sur les débris que vous entassez ou déplacez. Utiliser un râteau ou un balai pour dégager les débris coincés dans le sol.
- Garder l'ouverture du souffleur aussi près du sol que possible. Utiliser toute la longueur du tube de soufflage afin de garder le courant d'air proche du sol. Nettoyer une fois le travail terminé. S'assurer que des débris n'ont pas été accidentellement projetés dans le jardin d'un voisin. N'utiliser votre équipement motorisé qu'à des heures raisonnables, pas trop tôt le matin ni trop tard le soir lorsque des personnes pourraient être dérangées. Respecter les plages horaires stipulées dans les arrêtés locaux.
- Ce souffleur se porte sur le dos, à l'aide d'un harnais d'épaule. Il est actionné et commandé avec la main droite au moyen d'une poignée située sur le tube.
- La vitesse du jet d'air se règle à l'aide de la commande d'accélération. Sélectionner la vitesse la mieux adaptée à la tâche en cours.
- Vérifier que la prise d'air n'est pas obstruée, par exemple par des feuilles ou des déchets. Si la prise d'air est obstruée, la capacité de soufflage diminue et la température de fonctionnement du moteur augmente, ce qui pourrait entraîner une défaillance du moteur. Arrêter le moteur et retirer l'obstruction.
- Tenir compte de la direction du vent. Le travail est plus facile s'il est effectué dans la direction du vent.
- L'utilisation du souffleur pour déplacer des monticules importants prend beaucoup de temps et génère un bruit inutile.
- Se tenir bien campé et en parfait équilibre.
- Une fois le travail terminé, la machine doit être rangée en position verticale.

Pour actionner la gâchette d'accélérateur :580BTS Mark III

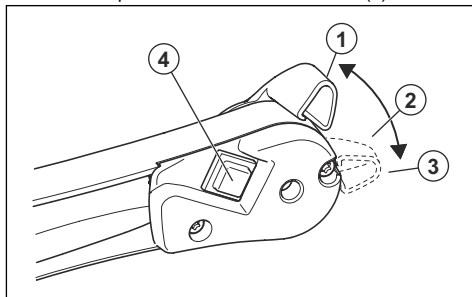
- Faire tourner le moteur à plein régime (A).
- Appliquer 1/3 de régime (B).

- Appliquer le ralenti (C).
- Arrêter le produit avec le bouton d'arrêt (D).



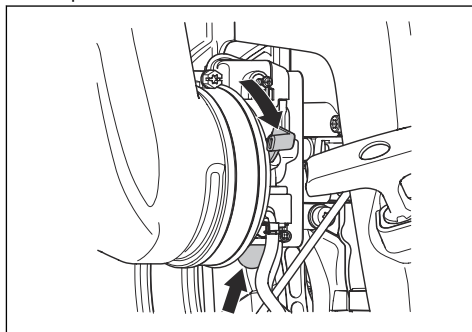
Pour actionner la gâchette d'accélérateur :580BFS Mark III

- Faire tourner le moteur à plein régime (1).
- Appliquer 1/3 de vitesse (2).
- Appliquer le ralenti (3).
- Arrêter le produit avec le bouton d'arrêt (4).



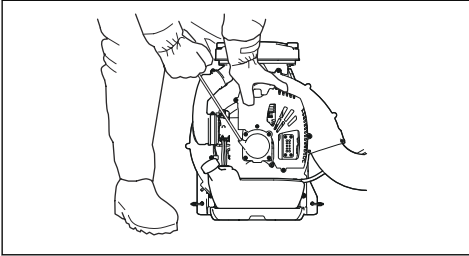
Mise sous tension de l'appareil

1. Si le moteur est froid, pousser le volet de départ (C) à la position du starter.



2. Appuyer sur la poire de purge d'air à plusieurs reprises jusqu'à ce que du carburant commence à remplir la poire de purge. Il n'est pas nécessaire de remplir entièrement la poire de pompe à carburant.

3. Pousser le levier d'accélération jusqu'à la position correspondant à 1/2 du régime. Se reporter à *Pour actionner la gâchette d'accélérateur :580BTS Mark III à la page 55.*
4. Placer le produit sur une surface plane au sol.
5. Saisir le produit de la main gauche.



6. Tirer lentement la poignée du câble du lanceur jusqu'à rencontrer une résistance.
7. Tirez sur la poignée du câble du démarreur rapidement avec la main droite jusqu'à ce que le moteur démarre ou tente de démarrer, maximum 10 fois. Si le moteur démarre, déplacez progressivement le levier du starter vers la position ouverte.

Remarque : Ne pas tirer complètement le câble du lanceur et ne pas lâcher la poignée du câble du lanceur.

8. Déplacez le levier du starter vers la position ouverte jusqu'à ce qu'il s'arrête.
9. Tirez sur le câble du lanceur plusieurs fois jusqu'à ce que le moteur démarre et continue à tourner.
10. Si le moteur ne démarre pas, répétez les étapes 1 à 10.

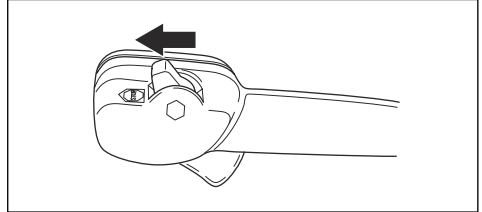
11. Laisser tourner le moteur pour le réchauffer pendant 2 à 3 minutes avant toute utilisation.

Arrêt du produit :580BTS Mark III



MISE EN GARDE : Ne pas arrêter le produit à pleine vitesse.

1. Déplacer le levier d'accélérateur à la position d'arrêt.

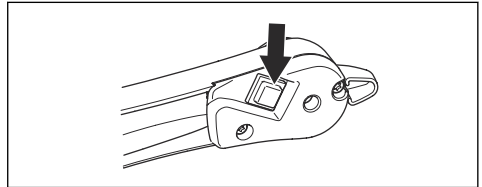


Arrêt du produit :580BFS Mark III



MISE EN GARDE : Ne pas arrêter le produit à pleine vitesse.

1. Appuyer sur l'interrupteur d'arrêt.



Entretien

Introduction



AVERTISSEMENT : Lire et comprendre le chapitre sur la sécurité avant de faire l'entretien du produit.

Calendrier d'entretien

Entretien	Quotidien	Hebdo-madaire	Mensuel
Nettoyer les surfaces externes.	X		
S'assurer que la poignée de commande fonctionne correctement.	X		
S'assurer que l'interrupteur de marche/arrêt fonctionne correctement. Se reporter à la section <i>Arrêt du produit :580BTS Mark III à la page 56.</i>	X		

Entretien	Quotidien	Hebdomadaire	Mensuel
Examiner le moteur, le réservoir de carburant et les conduites de carburant pour détecter d'éventuelles fuites. Vérifier le filtre à carburant à la recherche de contamination. Remplacer le filtre à carburant au besoin.	X		
Nettoyer le filtre à air. Remplacer le filtre à air au besoin.	X		
Serrer les écrous et les vis.	X		
Examiner l'admission d'air et vérifier qu'elle n'est pas obstruée.	X		
Examiner le lanceur et la corde du lanceur pour détecter d'éventuels dommages.		X	
Examiner les éléments antivibrations pour s'assurer qu'ils ne présentent pas de dommages, de fissures ou de déformations. Vérifier que les éléments antivibrations sont correctement installés.		X	
Vérifier la bougie d'allumage. Se reporter à la section <i>Pour vérifier la bougie d'allumage à la page 57.</i>		X	
Nettoyer le système de refroidissement.		X	
Nettoyer la surface externe du carburateur et ses zones adjacentes.		X	
Nettoyer le réservoir de carburant.			X
Vérifier tous les câbles et toutes les connexions.			X
Examiner et nettoyer l'écran pare-étincelles sur le silencieux (pour les produits sans pot catalytique).		X	
Examiner et nettoyer l'écran pare-étincelles sur le silencieux (pour les produits avec pot catalytique).			X
Vérifier la bougie d'allumage. Les remplacer au besoin.			X

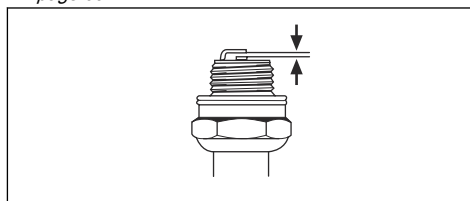
Pour vérifier la bougie d'allumage



MISE EN GARDE : Utiliser la bougie recommandée. Se reporter à la section *Données techniques à la page 60.* Une bougie inadéquate peut endommager l'outil.

- Si le produit n'est pas facile à démarrer ou à faire fonctionner ou s'il fonctionne mal au régime de ralenti, examiner la bougie d'allumage pour détecter d'éventuels matériaux indésirables. Afin de réduire le risque de matériau indésirable sur les électrodes de la bougie d'allumage, effectuer les étapes suivantes :
 - Vérifier que le régime de ralenti est réglé de façon adéquate.
 - Vérifier que le mélange de carburant est correct.
 - Vérifier que le filtre à air est propre.
- Nettoyer la bougie si elle est sale.

- Vérifier que l'écartement des électrodes est correct. Se reporter à la section *Données techniques à la page 60.*



- Remplacer la bougie d'allumage une fois par mois ou plus fréquemment, au besoin.

Nettoyage du système de refroidissement



MISE EN GARDE : Un système de refroidissement encrassé ou bloqué peut entraîner une surchauffe du produit, ce qui peut endommager ce dernier.

Le système de refroidissement comprend les ailettes de refroidissement du cylindre et la grille d'entrée d'air.

- S'assurer que le système de refroidissement n'est pas sale ou obstrué.
- Nettoyer le système de refroidissement au moyen d'une brosse une fois par semaine ou plus fréquemment au besoin.

Entretien du silencieux

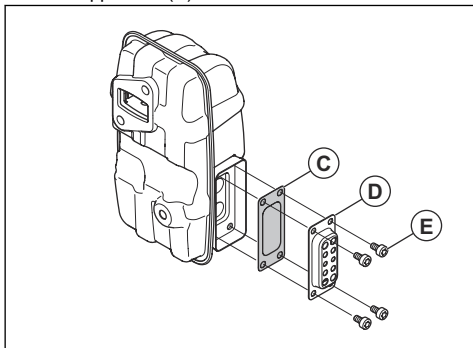


AVERTISSEMENT : Ne pas utiliser un produit dont le silencieux est défectueux.



AVERTISSEMENT : Les silencieux deviennent très chaud pendant et après utilisation, ainsi que lorsque le moteur tourne au ralenti. Utiliser des gants de protection pour éviter des brûlures.

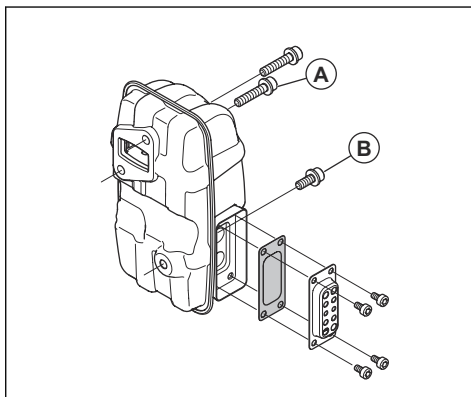
1. Couper le moteur et laisser le silencieux refroidir.
2. Si l'écran pare-étincelles est endommagé, le remplacer.
3. Retirer les vis (E) et déposer le conduit d'échappement (D).



Remarque : Les surfaces internes du silencieux contiennent des produits chimiques pouvant causer des cancers. Faire attention à ne pas toucher ces éléments si le silencieux est endommagé.

4. Déposer l'écran pare-étincelles (C) et le nettoyer avec une brosse métallique. Retirer la saleté de l'entrée et la sortie du silencieux avec la brosse métallique. Enlever aussi la saleté de l'orifice d'échappement du cylindre avec la brosse métallique.
5. Fixer l'écran pare-étincelles (C) et le conduit d'évacuation (D) avec les vis (E). Serrer les vis au couple de 2 à 3 Nm.

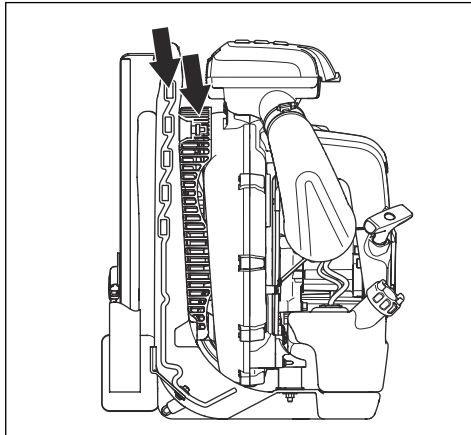
6. S'assurer que le silencieux est bien fixé sur le produit. Serrer les vis (A) et (B) au couple de 8 à 12 Nm.



Examen de la grille d'entrée d'air

Une grille d'entrée d'air bouchée réduit la force de soufflage et augmente la température du moteur. La hausse de température risque de provoquer une avarie du moteur.

1. Couper le moteur.
2. Examiner la grille d'entrée d'air pour détecter d'éventuels dommages et s'assurer qu'elle est correctement fixée.



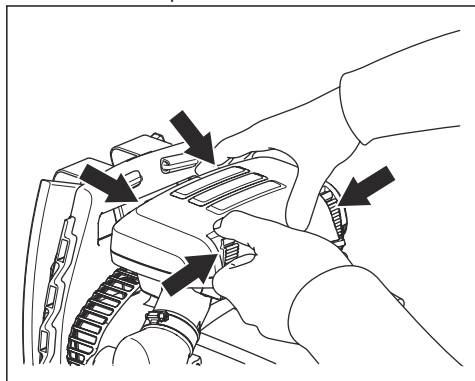
3. Retirer la poussière, les feuilles et les matériaux indésirables de la grille d'entrée d'air.

Nettoyage du filtre à air

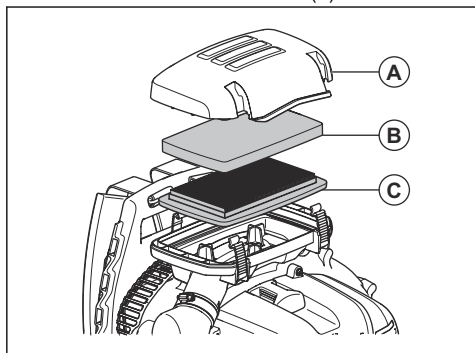
Éliminer régulièrement la saleté et la poussière du filtre à air. Ceci permet d'éviter un mauvais fonctionnement du carburateur, des problèmes de démarrage, une perte de puissance du moteur, une usure des pièces du moteur et une consommation de carburant plus que

d'habitude. Nettoyer le filtre à air à intervalles de 40 heures de fonctionnement ou moins si les conditions sont exceptionnellement poussiéreuses.

1. Desserrer les fixations qui maintiennent le couvercle de filtre à air en position.



2. Retirer le couvercle du filtre à air (A).



3. Déposer le filtre en mousse (B) et le filtre en papier (C) du cadre du filtre.
4. Remplacer le filtre en papier (C).
5. Nettoyer le filtre en mousse (B) à l'eau savonneuse chaude.

Remarque : Un filtre à air utilisé pendant une longue période ne peut être complètement nettoyé. Remplacer régulièrement le filtre à air et toujours remplacer un filtre à air défectueux.

6. S'assurer que le filtre en mousse (B) est sec.
7. Nettoyer la surface intérieure du couvercle du filtre à air avec une brosse (A).

Remplacement du harnais



AVERTISSEMENT : Un harnais endommagé peut engendrer une chute du produit et celui-ci causer des blessures.

1. Couper le moteur.
2. Retirer la boucle de la sangle.
3. Appuyez sur l'extrémité de la sangle à travers la bride.
4. Tirer la nouvelle courroie à travers la bride.
5. Fixer la boucle en place sur la nouvelle sangle.

Transport et entreposage

Transport et entreposage



AVERTISSEMENT : Pour éviter tout risque d'incendie, s'assurer qu'il n'y a pas de fuites ou de fumées pendant le transport ou l'entreposage. S'assurer qu'il n'y a pas de risque de production d'étincelles ou d'incendie.

- Vider le réservoir de carburant avant tout transport ou remisage pendant une période prolongée. Appuyez sur la poire d'amorçage d'air pour s'assurer que tout le carburant est retiré. Mettre au rebut le carburant à un emplacement adéquat.
- Avant d'entreposer le produit à long terme, s'assurer qu'il est bien nettoyé et en effectuer l'entretien complet.

- Retirer la bougie d'allumage et verser environ 15 ml d'huile deux-temps dans le cylindre. Faire tourner 3 fois le moteur à vide et remettre la bougie en place.
- Fixer le produit au véhicule de façon sécuritaire pendant le transport.
- Garder le produit dans un endroit sec et frais et propre avec une bonne circulation d'air. Garder la machine à l'écart des enfants.

Données techniques

Caractéristiques techniques

	580BTS Mark III	580BFS Mark III
Moteur		
Cylindrée, cm ³	75,6	75,6
Régime de ralenti, tr/min	2000	2000
Silencieux du pot catalytique	Non	Non
Système d'allumage à régime régulé	Oui	Oui
Système d'allumage³		
Bougie d'allumage	NGK CMR7H	NGK CMR7H
Écartement des électrodes, mm / po	0,6-0,7 / 0,024-0,028	0,6-0,7 / 0,024-0,028
Circuits d'alimentation et de lubrification		
Capacité du réservoir de carburant, L / pte US	2,6 / 5,5	2,6 / 5,5
Poids		
Poids, kg/lb	12,2 / 26,8	12,3 / 27,1
Rendement du ventilateur		
Vitesse maximale de l'air avec buse standard, m/h / m/s	220/98	220/98
Débit d'air avec buse standard, pi ³ /min / m ³ /min	1000/28	1000/28

³ Le système d'allumage par étincelles est conforme à la norme ICES-002 du Canada.

Garantie

DÉCLARATION DE GARANTIE DU SYSTÈME DE CONTRÔLE DES ÉMISSIONS D'ÉCHAPPEMENT ET D'ÉVAPORATION CONFORME AUX EXIGENCES LÉGALES DES ÉTATS-UNIS, DE LA CALIFORNIE ET DU CANADA

VOS DROITS ET OBLIGATIONS EN VERTU DE LA GARANTIE

Le California Air Resources Board (CARB), l'U.S. Environmental Protection Agency (EPA), Environnement et Changement climatique Canada et Husqvarna Forest & Garden vous présentent la garantie du système de contrôle des émissions d'échappement et d'évaporation (les « émissions ») qui protège votre petit moteur hors route 2021-2022*. En Californie, l'équipement neuf équipé d'un petit moteur hors-route doit être conçu, fabriqué et équipé de manière à répondre aux strictes normes antipollution de l'État. Husqvarna Forest & Garden doit garantir les systèmes de contrôle des émissions de votre petit moteur hors route pendant les périodes figurant sur la liste ci-dessous à condition que votre petit moteur hors route ou tout autre équipement ne présente aucun signe d'abus, de négligence ou d'entretien inapproprié menant à la défaillance du système de contrôle des émissions. Votre système de contrôle des émissions peut comprendre différentes pièces comme un carburateur, un système d'injection de carburant, un système d'allumage, un pot catalytique, des réservoirs de carburant, des conduites de carburant (pour le carburant liquide et les vapeurs de carburant), des bouchons de réservoir de carburant, des soupapes, des réservoirs à charbon actif, des filtres, des colliers et d'autres composants associés. Il peut aussi comprendre des flexibles, de courroies, des raccords et d'autres pièces liées aux émissions. En cas de problème couvert par la garantie, Husqvarna Forest & Garden répare votre petit moteur hors route sans frais, diagnostic, pièces et main-d'œuvre compris.

COUVERTURE DE LA GARANTIE DU FABRICANT

Le système de contrôle des émissions d'échappement et d'évaporation pour petit moteur hors route est garanti deux ans. Si une pièce de votre petit moteur hors route liée aux émissions est défectueuse, elle doit alors être réparée ou remplacée par Husqvarna Forest & Garden.

RESPONSABILITÉS DU PROPRIÉTAIRE EN VERTU DE LA GARANTIE

- À titre de propriétaire d'un petit moteur hors route, vous êtes tenu d'effectuer l'entretien obligatoire indiqué dans le manuel de l'utilisateur. Husqvarna Forest & Garden vous recommande de conserver tous les reçus relatifs à l'entretien de votre petit

moteur hors route, mais Husqvarna Forest & Garden ne peut pas refuser l'application de la garantie pour la seule raison de l'absence de reçus ou du non-respect du calendrier de maintenance.

- En tant que propriétaire d'un petit moteur hors route, vous devez savoir que Husqvarna Forest & Garden peut vous refuser la couverture de la garantie si votre petit moteur hors route ou une pièce est défaillant en raison d'un abus, de négligence, d'un entretien inapproprié ou de modifications non approuvées.
- Vous devez présenter votre petit moteur hors route à un centre de réparation Husqvarna Forest & Garden agréé dès que le problème se manifeste. Les réparations couvertes par la garantie seront effectuées dans un délai raisonnable qui n'excèdera pas 30 jours. Pour toute question relative à vos droits et responsabilités relativement à votre garantie, communiquer avec Husqvarna Forest & Garden au CANADA au 1-800-805-5523 ou aux ÉTATS-UNIS au 1-800-487-5951, ou alors envoyer un courriel à l'adresse emissions@husqvarnagroup.com ou warranty@hpg-emissions.com.

DATE D'ENTRÉE EN VIGUEUR DE LA GARANTIE

La période de garantie commence à la date à laquelle le moteur ou le matériel est livré à l'acheteur final.

DURÉE DE LA COUVERTURE

Husqvarna Forest & Garden garantit au dernier acheteur et à chacun des propriétaires suivants que le petit moteur ou l'équipement hors route a été conçu, construit et équipé dans le respect de toutes les réglementations applicables édictées par l'EPA et le CARB et est exempt de tout défaut matériel ou de fabrication pouvant provoquer la panne d'une pièce garantie pendant une période de deux ans.

ÉLÉMENTS COUVERTS

RÉPARATION OU REMPLACEMENT DES PIÈCES :

La réparation ou le remplacement de toute pièce garantie qui est défectueuse sera effectué sans frais dans un centre de services agréé par la marque. À l'exclusion des réparations et des remplacements couverts par la présente garantie, il est possible de choisir un atelier de réparation ou toute autre personne pour entretenir, remplacer ou réparer les dispositifs et systèmes de contrôle des émissions. Cependant, Husqvarna Forest & Garden recommande que toutes les opérations d'entretien, de remplacement et de réparation des dispositifs et systèmes de contrôle des émissions soient effectuées dans un centre de services agréé par la marque.

IMPORTANT :Le présent produit est conforme à la réglementation de la Phase 3 de l'Environmental Protection Agency (EPA) des États-Unis en ce qui concerne les émissions d'échappement et

d'évaporation. Afin de garantir le respect des règlements de l'EPA Phase 3 des États-Unis, du California Air Resources Board et d'Environnement et Changement climatique Canada, nous recommandons d'utiliser uniquement des pièces de rechange de la marque du produit d'origine. L'utilisation de pièces de rechange non conformes est une infraction à la législation fédérale et à celle de certains États.

PÉRIODE DE GARANTIE : Toute pièce garantie dont le remplacement n'est pas prévu dans le cadre du programme d'entretien obligatoire ou dont la seule mesure prévue est l'inspection régulière avec « réparation ou remplacement au besoin » est garantie pendant deux ans (ou pendant la durée stipulée dans la garantie du produit, selon la période la plus longue) à compter de sa date d'achat par l'acheteur initial. Toute pièce garantie dont le remplacement est prévu par le calendrier d'entretien obligatoire est garantie pendant la période écoulée jusqu'au premier remplacement prévu de la pièce. Toute pièce réparée ou remplacée en vertu de la garantie est couverte pendant la période de garantie restante.

DIAGNOSTIC : Vous n'avez pas à payer pour le diagnostic permettant de conclure que la pièce garantie est défectueuse, à condition qu'un tel diagnostic soit effectué dans un atelier d'entretien agréé.

AUTRES DOMMAGES : Husqvarna Forest & Garden réparera les autres composants du moteur endommagés par suite de la défaillance d'une pièce sous garantie.

LISTE DES PIÈCES COUVERTES PAR LA GARANTIE DE CONTRÔLE DES ÉMISSIONS

1. Pièces du carburateur et du système d'admission ou système d'injection.
2. Filtre à air et filtre à carburant couverts dans la limite du calendrier d'entretien.
3. Bougies d'allumage couvertes dans la limite du calendrier d'entretien.
4. Module d'allumage.
5. Silencieux avec catalyseur et collecteurs d'échappement.
6. Réservoir de carburant, conduites de carburant (pour le carburant et les vapeurs de carburant), bouchon de réservoir, réservoir à charbon actif, clapet antiretour en cas de retournement et clapets antibalottement si applicable.
7. Commandes électroniques, soupapes et interrupteurs sensibles au vide, à la température et au temps.
8. Flexibles, raccords et ensembles.
9. Tous les autres composants, dont la défaillance augmenterait les émissions d'échappement et d'évaporation d'un polluant quelconque par le moteur, comme énoncé ci-dessous :
 - Pour la Californie, voir le California Code of Regulations, 13 CCR §2405(d) et 2760(d).

- Pour les États-Unis et le Canada, se reporter au US Federal Code of Regulations, 40 C.F.R 1068 Appendix I (iii).

ÉLÉMENTS NON COUVERTS

Toutes les pannes dues à un abus, à de la négligence, à des modifications non approuvées, à une utilisation ou à un entretien inadéquat ne sont pas couvertes.

PIÈCES COMPLÉMENTAIRES OU MODIFIÉES

Aucune pièce complémentaire ou modifiée non affranchie par la CARB ou l'EPA ne peut être utilisée. L'utilisation de pièces complémentaires ou modifiées non exemptées est un motif suffisant pour rejeter une demande d'indemnisation. Husqvarna Forest & Garden n'a pas la responsabilité de garantir les pannes de pièces garanties provoquées par l'utilisation d'une pièce complémentaire ou modifiée non affranchie.

COMMENT PRÉSENTER UNE DEMANDE D'INDEMNISATION

Pour toute question relative à vos droits et responsabilités relativement à la garantie, communiquer avec le centre de services agréé le plus proche, appeler Husqvarna Forest & Garden aux ÉTATS-UNIS au 1-800-487-5951, au CANADA au 1-800-805-5523, ou bien envoyer un courriel à l'adresse emissions@husqvarnagroup.com ou warranty@hqp-emissions.com.

OÙ JOINDRE LE SERVICE DE GARANTIE?

Les services de garantie ou de réparation sont assurés par tous les ateliers d'entretien Husqvarna Forest & Garden agréés. Si le centre de réparation agréé le plus près se trouve à plus de 160 kilomètres de votre emplacement, Husqvarna Forest & Garden arrangerait et paiera la livraison aller-retour vers un centre de réparation agréé par la marque ou arrangerait autrement la prestation du service au titre de la garantie, en conformité avec les règlements applicables.

ENTRETIEN, REMPLACEMENT ET RÉPARATION DES PIÈCES RELATIVES AUX ÉMISSIONS

Toute pièce de remplacement peut être utilisée pour procéder à un entretien ou à une réparation sous garantie et elle sera fournie sans frais pour le propriétaire. Un tel remplacement n'a pas pour effet de réduire les obligations du fabricant relativement à la garantie.

ATTESTATION D'ENTRETIEN

Le propriétaire est tenu de respecter l'entretien obligatoire prévu dans le manuel de l'utilisateur.

* L'année modèle courante et subséquente sera mise à jour annuellement dans la déclaration de garantie fournie au consommateur. Par exemple, 2012-2013 sera spécifié pour l'année modèle 2012.

** Pièces liées aux émissions par évaporation.



www.husqvarna.com

Original instructions
Instrucciones originales
Instructions d'origine

1142416-49



2021-04-19