



 **Husqvarna**[®]



K1 PACE, K1 PACE Rescue

EN	Operator's manual	2-37
DE	Bedienungsanweisung	38-76
FR	Manuel d'utilisation	77-114
NL	Gebruiksaanwijzing	115-151

Contents

Introduction.....	2	Transportation, storage and disposal.....	30
Safety.....	5	Technical data.....	32
Assembly.....	13	Accessories.....	33
Operation.....	18	Service.....	34
Maintenance.....	26	Declaration of Conformity.....	35
Troubleshooting.....	29	Registered trademarks.....	37

Introduction

Product description

The power cutter is a portable handheld cut-off machine. The product is energized by a battery.

The product can be used for wet and dry operations. Refer to *Wet cutting on page 24* and *Dry cutting on page 25*.

The product has embedded connectivity. Refer to *Embedded connectivity on page 5*.

for other tasks. The product must only be used by professional operators with experience.

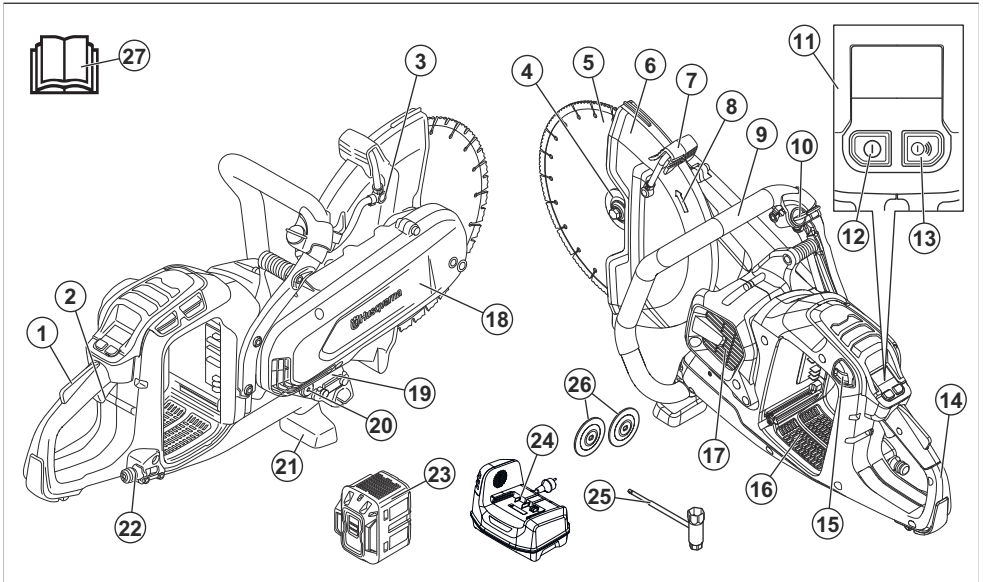
Work is constantly in progress to increase your safety and efficiency during operation. Speak to your servicing dealer for more information.

Note: National/Local regulations could restrict the use of this product.

Intended use

The product is used to cut hard materials as concrete, masonry, stone and steel. Do not use the product

Product overview K1 PACE

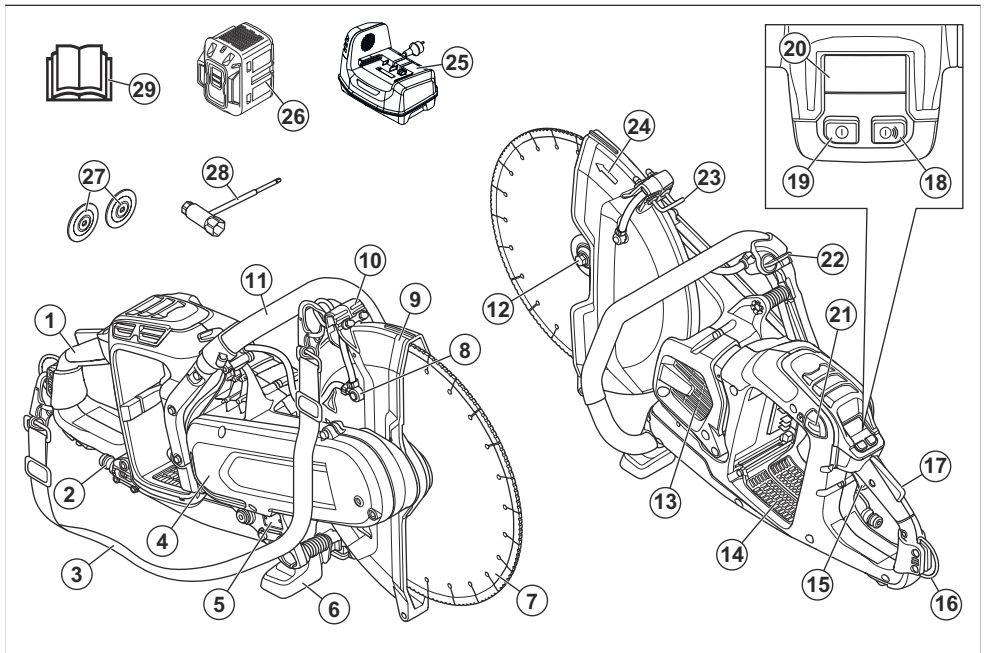


1. Power trigger lockout
2. Power trigger
3. Water nozzle

4. Flange for diamond blade, spindle, arbor bushing
5. Cutting blade
6. Blade guard

7. Adjustment handle for blade guard
8. Spindle direction of rotation
9. Front handle
10. Water valve
11. Control panel
12. On/Off button
13. Accessories On/Off button (not used)
14. Rear handle
15. Battery release button
16. Battery slot
17. Motor air intake
18. Belt guard
19. Type plate
20. Arbor bushing 20 mm/0.8 in.
21. Ground support front
22. Water connection with filter
23. Battery (not included)
24. Battery charger (not included)
25. Combination wrench
26. Flanges for bonded abrasive blade
27. Operator's manual

Product overview K1 PACE Rescue



1. Rear handle
2. Water connection with filter
3. Shoulder strap
4. Belt guard
5. Type plate
6. Ground support front
7. Cutting blade
8. Water nozzle
9. Blade guard
10. Adjustment handle for blade guard
11. Front handle
12. Flange for diamond blade, spindle, arbor bushing
13. Motor air intake
14. Battery slot
15. Power trigger
16. Rear shoulder strap holder
17. Power trigger lockout
18. Accessories On/Off button (not used)
19. On/Off button
20. Control panel
21. Battery release button
22. Water valve
23. Front shoulder strap holder
24. Spindle direction of rotation
25. Battery charger (not included)
26. Battery (not included)
27. Flanges for bonded abrasive blade
28. Combination wrench

Symbols on the product



WARNING: This product can be dangerous and cause serious injury or death to the operator or others. Be careful and use the product correctly.



Read the operator's manual carefully and make sure that you understand the instructions before you use this product.



Use approved protective helmet, hearing protection, eye protection and respiratory protection. Refer to *Personal protective equipment on page 10*.



Dust forms when cutting. The dust can cause injuries if inhaled. Use an approved respiratory protection. Always provide for good ventilation.



Sparks from the cutting blade can cause fire in fuel, wood, clothes, dry grass or other flammable materials.



WARNING! Kickbacks can be sudden, rapid and violent and can cause life threatening injuries. Read and understand the instructions in the manual before using the product. Refer to *Kickback on page 18*.



Make sure that the cutting blade does not have cracks or other damages.



Do not use circular saw blades.



Only use with diamond blade.



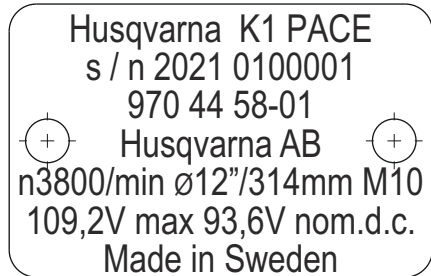
This product complies with applicable EU Directives.



Environmental mark. The product or package of the product is not domestic waste. Recycle it at a recycling location for electrical and electronic equipment.

Note: Other symbols/decals on the product refer to certification requirements for some markets.

Type plate



Row 1: Brand, Model

Row 2: Serial No. with manufacturing date: Year, Week, Sequence No.

Row 3: Product No.

Row 4: Manufacturer

Row 5: n=rated speed output shaft, /min=revolutions per minute, Ø=blade diameter, spindle bolt thread.

Row 6: Maximum and nominal Voltage, d.c.=direct current

Row 7: Country of origin

Symbols on the battery and/or on the battery charger



WARNING: This product can be dangerous and cause serious injury or death to the operator or others. Be careful and use the product correctly.



The product or package of the product is not domestic waste.



Recycle the product at an applicable disposal location for electrical and electronic equipment.



Do not put the battery in water.



Keep the battery away from sunlight, heat or open flame.



Functional grounding.

Embedded connectivity

The cloud asset management solution Husqvarna Fleet Services™ gives the fleet manager an overview of all products that are connected via either embedded or aftermarket sensors. The position of the gateway or smartphone can be used to indicate the location of connected products. The sensors record data like runtime, service intervals and more. For more information about the cloud asset management solution Husqvarna Fleet Services™, download the iOS or Android app Husqvarna Fleet Services at <https://apps.apple.com/se/app/husqvarna-fleet-services/id1334672726> or <https://play.google.com/store/apps/details?id=com.husqvarna.hfsmobile&hl=en>. Speak to your Husqvarna sale representative for more information.

Some types of this product are connected via the embedded Husqvarna Fleet Services™ sensor that has the Bluetooth Low Energy (BLE) function. For more information regarding how to use it, refer to *To use embedded connectivity with fleet on page 22*. For information about the BLE technology radio spectrum, refer to *Embedded connectivity on page 33*.

Product liability

As referred to in the product liability laws, we are not liable for damages that our product causes if:

- the product is incorrectly repaired.
- the product is repaired with parts that are not from the manufacturer or not approved by the manufacturer.
- the product has an accessory that is not from the manufacturer or not approved by the manufacturer.
- the product is not repaired at an approved service center or by an approved authority.

Safety

Safety definitions

Warnings, cautions and notes are used to point out specially important parts of the manual.



WARNING: Used if there is a risk of injury or death for the operator or bystanders if the instructions in the manual are not obeyed.



CAUTION: Used if there is a risk of damage to the product, other materials or the adjacent area if the instructions in the manual are not obeyed.

Note: Used to give more information that is necessary in a given situation.

General power tool safety warnings



WARNING: Read all safety warnings and all instructions. Failure to follow the warnings and instructions may result in electric shock, fire and/or serious injury.

Note: Save all warnings and instructions for future reference. The term "power tool" in the warnings refers to your mains-operated (corded) power tool or battery-operated (cordless) power tool.

Work area safety

- **Keep work area clean and well lit.** Cluttered or dark areas invite accidents.
- **Do not operate power tools in explosive atmospheres, such as in the presence of flammable liquids, gases or dust.** Power tools create sparks which may ignite the dust or fumes.
- **Keep children and bystanders away while operating a power tool.** Distractions can cause you to lose control.

Electrical safety

- **Power tool plugs must match the outlet. Never modify the plug in any way. Do not use any adapter plugs with earthed (grounded) power tools.** Unmodified plugs and matching outlets will reduce risk of electric shock.
- **Avoid body contact with earthed or grounded surfaces, such as pipes, radiators, ranges and refrigerators.** There is an increased risk of electric shock if your body is earthed or grounded.
- **Do not expose power tools to rain or wet conditions.** Water entering a power tool will increase the risk of electric shock.
- **Do not abuse the cord. Never use the cord for carrying, pulling or unplugging the power tool. Keep cord away from heat, oil, sharp edges or moving parts.** Damaged or entangled cords increase the risk of electric shock.
- **When operating a power tool outdoors, use an extension cord suitable for outdoor use.** Use of a

cord suitable for outdoor use reduces the risk of electric shock.

- **If operating a power tool in a damp location is unavoidable, use a residual circuit interrupter (RCD) protected supply.** Use of a RCD reduces the risk of electric shock



WARNING: Do not pressure wash the machine, as water can enter the electrical system or the motor and cause damage to the machine or short circuit.

- **Remain at a distance from the blade when the motor is running.**

Power tool use and care

- **Do not force the power tool. Use the correct power tool for your application.** The correct power tool will do the job better and safer at the rate for which it was designed.
- **Do not use the power tool if the switch does not turn it on and off.** Any power tool that cannot be controlled with the switch is dangerous and must be repaired.
- **Disconnect the plug from the power source and/or the battery pack from the power tool before making any adjustments, changing accessories, or storing power tools.** Such preventive safety measures reduce the risk of starting the power tool accidentally.
- **Store idle power tools out of the reach of children and do not allow persons unfamiliar with the power tool or these instructions to operate the power tool.** Power tools are dangerous in the hands of untrained users.
- **Maintain power tools. Check for misalignment or binding of moving parts, breakage of parts and any other condition that may affect the power tool's operation. If damaged, have the power tool repaired before use.** Many accidents are caused by poorly maintained power tools.
- **Keep cutting tools sharp and clean.** Properly maintained cutting tools with sharp cutting edges are less likely to bind and are easier to control.
- **Use the power tool, accessories and tool bits etc. in accordance with these instructions, taking into account the working conditions and the work to be performed.** Use of the power tool for operations different from those intended could result in a hazardous situation.
- **Keep handles and grasping surfaces dry, clean and free from oil and grease.** Slippery handles and grasping surfaces do not allow for safe handling and control of the tool in unexpected situations.
- **Under no circumstances should you modify the original design of the machine without approval from the manufacturer.** Always use original spare parts. Unauthorized modifications and/or accessories may lead to serious injury or death to the user or others.
- **Make sure that no pipes or electrical cables are routed in the working area or in the material to be cut.**
- **Always check and mark out where gas pipes are routed.** Cutting close to gas pipes always entails danger. Make sure that sparks are not caused when cutting in view of the risk of explosion. Remain concentrated and focused on the task. Carelessness can result in serious personal injury or death.

Personal safety

- **Stay alert, watch what you are doing and use common sense when operating a power tool. Do not use a power tool while you are tired or under the influence of drugs, alcohol or medication.** A moment of inattention while operating power tools may result in serious personal injury.
- **Use personal protective equipment. Always wear eye protection.** Protective equipment such as dust mask, non-skid safety shoes, hard hat, or hearing protection used for appropriate conditions will reduce personal injuries.
- **Prevent unintentional starting. Ensure the switch is in the OFF-position before connecting to a power source and/or battery pack, picking up or carrying the tool.** Carrying power tools with your finger on the switch or energizing power tools that have the switch on invites accidents.
- **Remove any adjusting key or wrench before turning the power tool on.** A wrench or a key left attached to a rotating part of the power tool may result in personal injury.
- **Do not overreach. Keep proper footing and balance at all times.** This enables better control of the power tool in unexpected situations.
- **Dress properly. Do not wear loose clothing or jewellery. Keep your hair, clothing and gloves away from moving parts.** Loose clothes, jewellery or long hair can be caught in moving parts.
- **If devices are provided for the connection of dust extraction and collection facilities, ensure these are connected and properly used.** Use of dust collection can reduce dust-related hazards.
- **Do not let familiarity gained from frequent use of tools allow you to become complacent and ignore tool safety principles.** A careless action can cause severe injury within a fraction of a second.
- **The vibration emission during actual use of the power tool can differ from the declared total value depending on the ways in which the tool is used.** Operators should identify safety measures to protect themselves that are based on an estimation of exposure in the actual conditions of use (taking account of all parts of the operating cycle such as the times when the tool is switched off and when it is running idle in addition to the trigger).

Battery tool use and care

- **Recharge only with the charger specified by the manufacturer.** A charger that is suitable for one type of battery pack may create a risk of fire when used with another battery pack.
- **Use power tools only with specifically designated battery packs.** Use of any other battery packs may create a risk of injury and fire.
- **When battery pack is not in use, keep it away from other metal objects, like paper clips, coins, keys, nails, screws or other small metal objects, that can make a connection from one terminal to another.** Shorting the battery terminals together may cause burns or a fire.
- **Under abusive conditions, liquid may be ejected from the battery; avoid contact. If contact accidentally occurs, flush with water. If liquid contacts eyes, additionally seek medical help.** Liquid ejected from the battery may cause irritations or burns.
- **Do not use a battery pack or tool that is damaged or modified.** Damaged or modified batteries may exhibit unpredictable behaviour resulting in fire, explosion or risk of injury.
- **Do not expose a battery pack or tool to fire or excessive temperature.** Exposure to fire or temperature above 130 °C / 265 °F may cause explosion.
- **Follow all charging instructions and do not charge the battery pack or tool outside the temperature range specified in the instructions.** Charging improperly or at temperatures outside the specified range may damage the battery and increase the risk of fire.

Service

- **Have your power tool serviced by a qualified repair person using only identical replacement parts.** This will ensure that the safety of the power tool is maintained.
- **Never service damaged battery packs.** Service of battery packs should only be performed by the manufacturer or authorized service providers.

Cut-off machine safety warning

- **The guard provided with the tool must be securely attached to the power tool and positioned for maximum safety so the least amount of wheel is exposed towards the operator. Position yourself and bystanders away from the plane of the rotating wheel.** The guard helps to protect operator from broken wheel fragments and accidental contact with the wheel.
- **Use only bonded reinforced or diamond cut-off wheels for your power tool.** Just because an accessory can be attached to your power tool, it does not assure safe operation.
- **The rated speed of the accessory must be at least equal to the maximum speed marked on the power**

tool. Accessories running faster than their rated speed can break and fly apart.

- **Wheels must be used only for recommended applications. For example, do not grind with the side of the cut-off wheel.** Abrasive cut-off wheels are intended for peripheral grinding, side forces applied to these wheels may cause them to shatter.
- **Always use undamaged wheel flanges that are of correct diameter for your selected wheel.** Proper wheel flanges support the wheel thus reducing the possibility of wheel breakage.
- **Do not use worn down reinforced wheels from larger power tools.** Wheels intended for a larger power tool are not suitable for the higher speed of a smaller tool and may burst.
- **The outside diameter and the thickness of your accessory must be within the capacity rating of your power tool.** Incorrectly sized accessories cannot be adequately guarded or controlled.
- **The arbour size of wheels and flanges must properly fit the spindle of the power tool.** Wheels and flanges with arbour holes that do not match the mounting hardware of the power tool will run out of balance, vibrate excessively and may cause loss of control.
- **Do not use damaged wheels. Before each use, inspect wheels for chips and cracks. If power tool or wheel is dropped, inspect for damage or install an undamaged wheel. After inspecting and installing the wheel, position yourself and bystanders away from the plane of the rotating wheel and run the power tool at maximum no load speed for one minute.** Damaged wheels will normally break apart during this test time.
- **Wear personal protective equipment. Depending on application, use face shield, safety goggles or safety glasses. As appropriate, wear dust mask, hearing protectors, gloves and shop apron capable of stopping small workpiece fragments.** The eye protection must be capable of stopping flying debris generated by various operations. The dust mask or respirator must be capable of filtering particles generated by your operation. Prolonged exposure to high intensity noise may cause hearing loss.
- **Keep bystanders a safe distance away from work area. Anyone entering the work area must wear personal protective equipment.** Fragments of workpiece or a broken wheel may fly away and cause injury beyond immediate area of operation.
- **Hold the power tool by insulated gripping surfaces only, when performing an operation where the cutting accessory may contact hidden wiring.** Cutting accessory contacting a "live" wire may make exposed metal parts of the power tool "live" and could give the operator an electric shock.
- **Position the cord clear of the spinning accessory.** If you lose control, the cord may be cut or snagged and your hand or arm may be pulled into the spinning wheel.
- **Never lay the power tool down until the accessory has come to a complete stop.** The spinning wheel

may grab the surface and pull the power tool out of your control.

- **Do not run the power tool while carrying it at your side.** Accidental contact with the spinning accessory could snag your clothing, pulling the accessory into your body.
- **Regularly clean the power tool's air vents.** The motor's fan will draw the dust inside the housing and excessive accumulation of powdered metal may cause electrical hazards.
- **Do not operate the power tool near flammable materials.** Sparks could ignite these materials.

Kickback and related warnings

- **Kickback is a sudden reaction to a pinched or snagged rotating wheel.** Pinching or snagging causes rapid stalling of the rotating wheel which in turn causes the uncontrolled power tool to be forced in the direction opposite of the wheel's rotation at the point of the binding.
- **For example, if an abrasive wheel is snagged or pinched by the workpiece, the edge of the wheel that is entering into the pinch point can dig into the surface of the material causing the wheel to climb out or kick out.** The wheel may either jump toward or away from the operator, depending on direction of the wheel's movement at the point of pinching. Abrasive wheels may also break under these conditions.
- **Kickback is the result of power tool misuse and/or incorrect operating procedures or conditions and can be avoided by taking proper precautions as given below.**
- **Maintain a firm grip on the power tool and position your body and arm to allow you to resist kickback forces.** Always use auxiliary handle, if provided, for maximum control over kickback or torque reaction during start-up. The operator can control torque reactions or kickback forces, if proper precautions are taken.
- **Never place your hand near the rotating accessory.** Accessory may kickback over your hand.
- **Do not position your body in line with the rotating wheel.** Kickback will propel the tool in direction opposite to the wheel's movement at the point of snagging.
- **Use special care when working corners, sharp edges etc.** Avoid bouncing and snagging the accessory. Corners, sharp edges or bouncing have a tendency to snag the rotating accessory and cause loss of control or kickback.
- **Do not attach a saw chain, woodcarving blade, segmented diamond wheel with a peripheral gap greater than 10 mm or toothed saw blade.** Such blades create frequent kickback and loss of control.
- **Do not "jam" the wheel or apply excessive pressure.** Do not attempt to make an excessive depth of cut. Overstressing the wheel increases the loading and susceptibility to twisting or binding of the wheel in

the cut and the possibility of kickback or wheel breakage.

- **When wheel is binding or when interrupting a cut for any reason, switch off the power tool and hold the power tool motionless until the wheel comes to a complete stop.** Never attempt to remove the wheel from the cut while the wheel is in motion otherwise kickback may occur. Investigate and take corrective action to eliminate the cause of wheel binding.
- **Do not restart the cutting operation in the workpiece.** Let the wheel reach full speed and carefully re-enter the cut. The wheel may bind, walk up or kickback if the power tool is restarted in the workpiece.
- **Support panels or any oversized workpiece to minimize the risk of wheel pinching and kickback.** Large workpieces tend to sag under their own weight. Supports must be placed under the workpiece near the line of cut and near the edge of the workpiece on both sides of the wheel.
- **Use extra caution when making a "pocket cut" into existing walls or other blind areas.** The protruding wheel may cut gas or water pipes, electrical wiring or objects that can cause kickback.

General safety instructions



WARNING: Read the warning instructions that follow before you use the product.

- A power cutter is a dangerous tool if used carelessly or incorrectly and can cause serious injury or death. It is very important that you read and understand the contents of this operator's manual. It is also recommended that first time operators also obtain practical instruction before using the product.
- Do not do modifications to this product. Modifications that are not approved by the manufacturer, can cause serious injury or death.
- Do not operate the product if it is possible that other persons have done modifications to the product.
- Always use original accessories and spare parts. Accessories and spare parts that are not approved by the manufacturer, can cause serious injury or death.
- Keep the product clean. Make sure that you can clearly read signs and decals.
- Never allow children or other persons not trained in the use of the product to use or service it.
- Do not let a person operate the product unless they read and understand the contents of the operator's manual.
- Only let approved persons operate the product.
- The safety distance for the power cutter is 15 m/50 ft. Make sure that animals and bystanders are not in the work area.
- This product produces an electromagnetic field during operation. This field can under some circumstances interfere with active or passive

medical implants. To decrease the risk of serious injury or death, we recommend persons with medical implants to speak to their physician and the medical implant manufacturer before operating this product.

- The information in this operator's manual is never a substitute for professional skills and experience. If you are in a situation where you feel unsafe, stop and get expert advice. Speak to your servicing dealer. Do not try any task that you feel unsure of.

Battery safety



WARNING: Read the warning instructions that follow before you use the product.



WARNING: A damaged battery can cause an explosion and cause injury. If the battery has a deformation or is damaged, speak to an approved Husqvarna service agent.

- Only use the Husqvarna PACE batteries that we recommend for your product. The batteries are software encrypted.
- Use only original batteries for this product. There is a risk of explosion if the batteries are replaced with a battery of incorrect type. Speak to your dealer for more information.
- Use Husqvarna PACE batteries that are rechargeable as a power supply for the related Husqvarna products only. To prevent injury, do not use the battery as a power supply for other devices.
- Risk of electrical shock. Do not connect the battery terminals to keys, screws or other metal. This can cause a short circuit of the battery.
- If the battery leaks, do not let the liquid touch your body, clothes or the product. If you touch the liquid, clean the area with a large quantity of water and get medical aid.
- Use protective glasses when you are near batteries. If you get liquid in your eyes, do not rub but flush with water for a minimum of 15 minutes. Get medical aid.
- Do not use batteries that are non-rechargeable.
- Do not do modifications to the battery.
- Do not put objects into the air slots of the battery.
- Keep the battery away from sunlight, heat or open flame. The battery can cause an explosion and cause burns and/or chemical burns.
- Keep the battery away from rain and wet conditions.
- Keep the battery away from microwaves and high pressure.
- Do not try to disassemble or break the battery.
- Use the battery only when the ambient temperature is between $-5\text{ }^{\circ}\text{C} / 23\text{ }^{\circ}\text{F}$ and $40\text{ }^{\circ}\text{C} / 104\text{ }^{\circ}\text{F}$.

- Do not clean the battery or the battery charger with water. Refer to *To clean the battery and the battery charger on page 28*.
- Do not use a defective or damaged battery.
- Keep batteries in storage away from metal objects such as nails, screws or jewelry.
- Keep the battery away from children.
- Attach the battery correctly. An incorrectly attached battery can cause a short circuit of the battery.

Battery charger safety



WARNING: Read all safety warnings and all instructions. Failure to follow the warnings and instructions may result in electrical shock, fire and/or serious injury.

- Risk of electrical shock or short circuit if the safety instructions are not obeyed.
- Do not use other battery chargers than the one supplied for your product. Only use Husqvarna battery chargers, 100-C900X or 100-C1800X to charge Husqvarna original PACE batteries.
- Do not try to disassemble the battery charger.
- Do not use a defective or damaged battery charger.
- Do not lift the battery charger by the power cord. To disconnect the battery charger from a mains socket, pull out the plug. Do not pull the power cord.
- Keep all cables and extension leads away from water, oil and sharp edges. Make sure that the cable is not caught between doors, fences or equivalent.
- Do not use the battery charger near flammable materials or materials that can cause corrosion. Make sure that the battery charger is not covered. Pull out the plug to the battery charger if there is smoke or fire.
- Only charge the battery indoors in a location with good airflow and away from sunlight. Do not charge the battery outdoors. Do not charge the battery in wet conditions.
- Only charge the battery when the ambient temperature is between $5\text{ }^{\circ}\text{C} / 41\text{ }^{\circ}\text{F}$ and $40\text{ }^{\circ}\text{C} / 104\text{ }^{\circ}\text{F}$. Use the charger in an environment which has a good airflow, is dry and free from dust.
- Do not put objects into the air slots of the battery charger.
- Do not connect the battery charger terminals to metal objects as this can short circuit the battery charger.
- Do not charge non-rechargeable batteries in the battery charger or use them in the machine.
- Use approved mains sockets that are not damaged.

Safety instructions for operation



WARNING: Read all safety warnings and all instructions. Failure to follow the

warnings and instructions may result in electrical shock, fire and/or serious injury.

- If you are not careful, the risk of kickback increases.



- Do not hold the product with one hand. This product is not safely controlled with one hand.
- Do not use a product in a situation where you can not get for support if an accident occurs.
- Make sure that you can move around safely. Examine the conditions and the terrain around you for possible obstacles.
- Overexposure to vibration can lead to circulatory damage or nerve damage in people who have impaired circulation. Contact your doctor if you experience symptoms of overexposure to vibration. Such symptoms include numbness, loss of feeling, tingling, pricking, pain, loss of strength, changes in skin colour or condition. These symptoms normally appear in the fingers, hands or wrists. These symptoms may be increased in cold temperatures.
- It is not possible to include each possible situation you can face when you use this product. Always be careful and use your common sense.

- **Note:** After operating the tool, hearing protection must be lifted immediately when sawing is completed to hear sounds and warning signals can be heard.

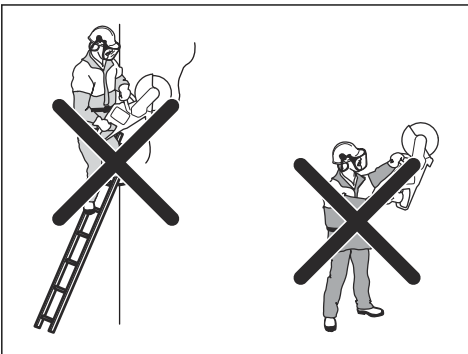
Personal protective equipment



WARNING: Read the warning instructions that follow before you use the product.

- Always use approved personal protective equipment during operation. Personal protective equipment cannot eliminate the risk of injury but it will reduce the degree of injury if an accident does happen. Ask your servicing dealer for help in choosing the right equipment.
- Use an approved protective helmet.
- Use approved hearing protection. Long-term exposure to noise can result in permanent hearing impairment. Be aware of warning signals or shouts when you are wearing hearing protection. Always

- Do not cut asbestos materials.
- When dry cutting, make sure the dust is removed safely.
- The information in this manual is not a replacement for professional knowledge and experience. If you do not feel safe in the situation that you are in, stop the product. Do not use the product in unknown situations.
- Turn to your servicing dealer or Husqvarna if you have questions about the operation of the product. We can give you information about how to operate your product safely with best result.
- Do not use a product, battery or battery charger that is defective.
- Do not touch a rotating cutting blade. It can cause serious injuries or death.
- Do not use the product in bad weather, for example, heavy fog or rain, strong wind and intense cold. Bad weather add risks such as ice on the ground.
- Do not start a product unless all covers and guards are assembled correctly.
- Look around you. Make sure that there is no risk that persons or animals touch or influence on your control of the product.
- Do not let children use or be near the product. The product is easy to start. This can mean a risk of serious injury.
- Remove the battery when you do not have full view of the product. Remove the battery if you will not use the product for a long time.
- You must be stable on your feet in order to have full control of the product. Do not use the product if you are on a ladder. Do not use the product if you are not on stable ground.
- Do not use the product above shoulder height.



remove your hearing protection as soon as the motor stops.

- Use approved eye protection to decrease the risk of injury from thrown objects. If you use a face shield then you must also wear approved protective goggles. Approved protective goggles must comply with standard ANSI Z87.1 in the USA or EN 166 in EU countries. Visors must comply with standard EN 1731.
- Use heavy duty gloves.
- Use approved respiratory protection. The use of products such as cutters, grinders, drills, that sand or form material can generate dust and vapours which may contain hazardous chemicals. Check the nature of the material you intend to process and use appropriate breathing mask.
- Use tight-fitting, heavy-duty and comfortable clothing that permits full freedom of movement. Cutting generates sparks that can ignite clothing. Husqvarna recommends that you wear flame-retardant cotton or heavy denim. Do not wear clothing made of material such as nylon, polyester or rayon. If ignited such material can melt and cling to the skin. Do not wear shorts.
- Use boots with steel toe-cap and non-slip sole.
- Always keep a first aid kit near.



- Sparks can come from the cutting blade. Always have a fire extinguishing available.

Safety devices on the product



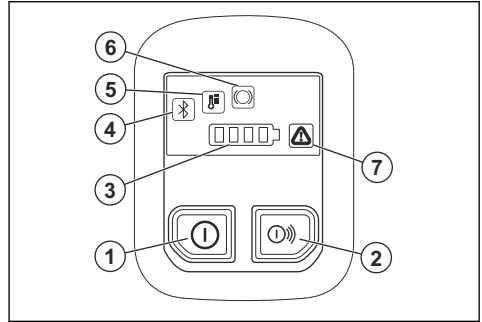
WARNING: Read the warning instructions that follow before you use the product.

- Do not use a product with defective safety devices.
- Do a check of the safety devices regularly. If the safety devices are defective, speak to your Husqvarna approved service agent.
- Do not change the safety devices.
- Do not use the product if protective plates, protective covers, safety switches or other protective devices are defective or not attached.

Functions of the user interface

This operator's manual gives descriptions of the functions of the control panel for the product. The control

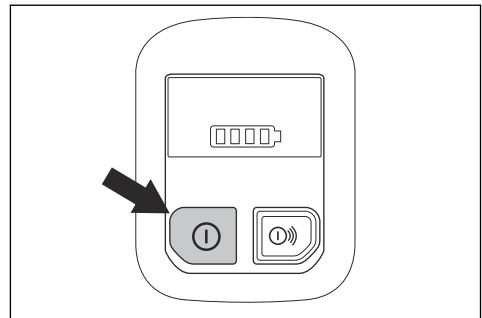
panel operates important functions and setups of the product. Refer to *Troubleshooting of the product on page 29* to find solutions for the warnings.



1. On/Off button.
2. Accessories On/Off button (not used).
3. Battery status indicator.
4. Bluetooth®. Refer to *Bluetooth® wireless technology on page 22*.
5. Temperature warning indicator, high or low. Refer to *Troubleshooting of the product on page 29*.
6. X-Halt warning. Refer to *Troubleshooting of the product on page 29*.
7. Error/Warning indicator. Refer to *Troubleshooting of the product on page 29*.

To do a check of the control panel

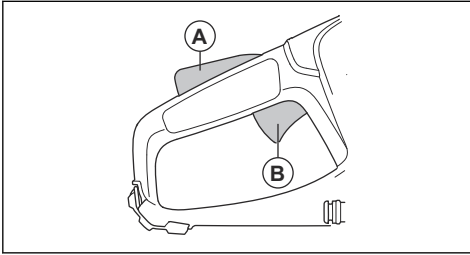
1. Push and hold the On/Off button until the LED comes on. Refer to *To start the product on page 25*.
2. Push and hold the On/Off button until the LED goes off.



Power trigger lockout

The power trigger lockout prevents accidental operation of the power trigger. If you put your hand around the handle and press the power trigger lockout (A), it releases the power trigger (B). If you release the handle,

the power trigger and the power trigger lockout move back to their initial positions.



The automatic stop function

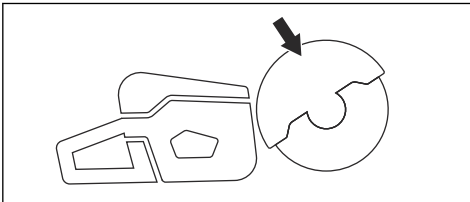
The product has an automatic stop function that stops the product if you do not use it for 3 minutes.

Blade guard



WARNING: Make sure that the blade guard is correctly attached before you start the product. Do not use the product if the blade guard is missing, defective or has cracks.

The blade guard is installed above the cutting blade. The blade guard prevents injury if parts of the blade or pieces from the cut material are thrown in the direction of the operator.



To examine the blade and the blade guard



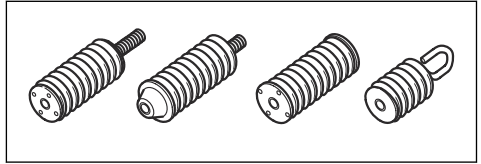
WARNING: A damaged cutting blade can cause injury.

1. Make sure that the cutting blade is attached correctly and does not show signs of damage.
2. Make sure that the blade guard has no cracks or is damaged.
3. Replace the blade guard if it is damaged.

Vibration damping system

Your product is equipped with a vibration damping system that is designed to minimize vibration and make operation easier. The product's vibration damping system reduces the transfer of vibration between the

motor unit/cutting equipment and the product's handle unit.



To do a check of the vibration damping system



WARNING: Make sure that the motor is off and that the battery is disconnected.

1. Make sure that there are no cracks or deformation on the vibration damping units. Replace the vibration damping units if they are damaged.
2. Make sure that the vibration damping units are correctly attached to the motor unit and handle unit.

Vibration safety



WARNING: Read the warning instructions that follow before you use the product.

- During operation of the product, vibrations go from the product to the operator. Regular and frequent operation of the product can cause or increase the degree of injuries to the operator. Injuries can occur in fingers, hands, wrists, arms, shoulders, and/or nerves and blood supply or other body parts. The injuries can be debilitating and/or permanent, and can increase gradually during weeks, months or years. Possible injuries include damage to the blood circulation system, the nervous system, joints, and other body structures.
- Symptoms can occur during operation of the product or at other times. If you have symptoms and continue to operate the product, the symptoms can increase or become permanent. If these or other symptoms occur, get medical aid:
 - Numbness, loss of feeling, tingling, pricking, pain, burning, throbbing, stiffness, clumsiness, loss of strength, changes in skin color or condition.
- Symptoms can increase in cold temperatures. Use warm clothing and keep your hands warm and dry when you operate the product in cold environments.
- Do maintenance on and operate the product as given in the operator's manual, to keep a correct vibration level.
- The product has a vibration damping system that decreases the vibrations from the handles to the operator. Let the product do the work. Do not push the product with force. Hold the product at the handles lightly, but make sure that you control

the product and operate it safely. Do not push the handles into the end stops more than necessary.

- Keep your hands on the handles only. Keep all other body parts away from the product.
- Stop the product immediately if strong vibrations suddenly occurs. Do not continue the operation before the cause of the increased vibrations is removed.
- To cut granite or hard concrete causes more vibration in the product than if you cut soft concrete. Cutting equipment that is blunt, defective, of incorrect type or incorrectly sharpened, increases the vibration level

Safety instructions for maintenance



WARNING: Read the warning instructions that follow before you do maintenance on the product.

- Remove the battery before you do maintenance, other checks or assemble the product.
- The operator must only do the maintenance and servicing shown in this operator's manual. Turn to your servicing dealer for maintenance and servicing of a larger extension.
- Do not clean the battery or the battery charger with water. Strong detergent can cause damage to the plastic.
- If you do not do maintenance, it decreases the life cycle of the product and increases the risk of accidents.
- Special training is necessary for all servicing and repair work, especially for the safety devices on the

product. If not all checks in this operator's manual are approved after you have done maintenance, turn to your servicing dealer. We guarantee that there are professional repairs and servicing available for your product.

- Only use original spare parts.

Bluetooth®



CAUTION: Changes or modifications made to this equipment not expressly approved by Husqvarna may void the FCC authorization to operate this equipment.

Notice: This device complies with Part 15 of FCC Rules and with Industry Canada licence-exempt RSS standard. Operation is subject to the following two conditions:

- This device may not cause harmful interference
- This device must accept any interference received, including interference that cause undesired operation.

Le présent appareil est conforme aux CNR d'Industrie Canada applicables aux appareils radio exempts de licence. L'exploitation est autorisée aux deux conditions suivantes:

- l'appareil ne doit pas produire de brouillage, et
- l'appareil doit accepter tout brouillage radioélectrique subi, même si le brouillage est susceptible d'en compromettre le fonctionnement.

Assembly

Cutting blades



WARNING: Always use protective gloves when you assemble the product.



WARNING: A cutting blade can break and cause injury to the operator.



WARNING: Examine the cutting blade for cracks, lost segments distortion or unbalance prior to use and immediately after striking an unintended object. Do not use a damaged cutting blade. After inspecting and installing the cutting blade, position yourself and bystanders away from the plane of the rotating cutting blade and run the power tool at maximum no load speed for one minute.



WARNING: The cutting blade manufacturer gives warnings and recommendations for the operation and correct maintenance of the cutting blade. Those warnings are supplied with the cutting blade. Read and obey the instructions that are supplied with the cutting blade.

Cutting blade vibration



CAUTION: If you use the product with too much force, the cutting blade can become too hot, bend and cause vibrations. Use the product with less force. If the vibrations continue, replace the cutting blade.

Applicable cutting blades



CAUTION: Use Husqvarna recommended cutting blades for K1 PACE and the material to be cut. The recommended cutting blades decrease the risk of serious injury and increase the cutting and X-halt performance. If general high speed cutting blades are used, the performance and cutting quality will decrease.



WARNING: Only use diamond blades and abrasive blades for concrete and metal. Do not use blades with serrations such as circular wood cutting blades or blades with carbide tips. The risk of kickback is increased and carbide tips can come off and be thrown at high speed. This can result in injury or death.



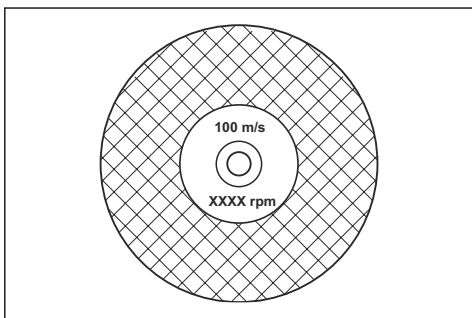
WARNING: Never use a cutting blade for any other materials than what it was intended to cut.



WARNING: Use only cutting blades that comply with applicable national or regional standards, for example EN12413, ANSI B7.1. or EN13236.



WARNING: Do not use a cutting blade with a rated speed value lower than that of the product. The rated speed value of the cutting blade is marked on the cutting blade and that of the product is marked on the type plate.

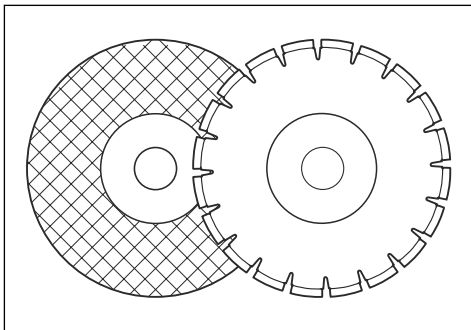


Note: Many cutting blades that can be attached to this product are made for stationary saws. The rated speed value of those cutting blades is too low for this product.



WARNING: Do not use cutting blades with thickness exceeding maximum recommended thickness. Refer to *Technical data on page 32*.

- Cutting blades applicable to this product are available in two basic models; bonded abrasive blades and diamond blades.



- Make sure that the cutting blade has the correct center hole dimension for the installed arbor bushing.

Abrasive blades



WARNING: Do not use abrasive blades with water. Water or moisture decreases the strength of the abrasive blade and increases the risk that the blade breaks.



CAUTION: Cutting with abrasive blade is not permitted with the Vac attachment. Use of abrasive blade causes too much wear on the Vac attachment.

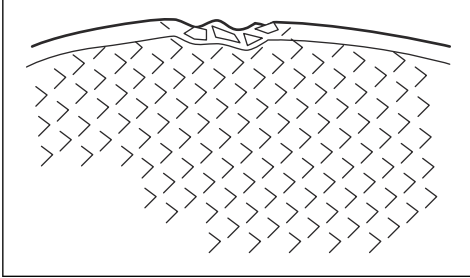


WARNING: Use correct abrasive blade on correct material.

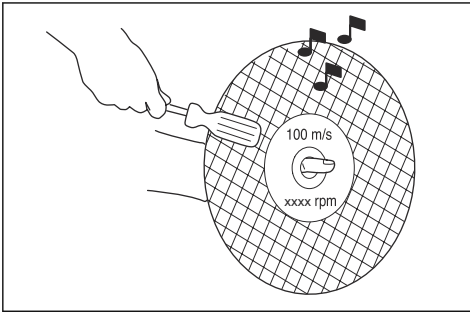
- Do not use wheels from larger power tools. Wheels of a larger power tool are not correct for the higher speed of a smaller tool and may break.
- The cutting material on abrasive blades is bonded with natural material that have a gravel bonded agent. Blades that are made up of a fabric or fibre are stronger. This type of blade does not break if the blade gets cracks or becomes damaged during operation.
- The performance of a cutting blade is given by the dimension of abrasive grain, and the type and hardness of the bonding agent.

To examine a bonded abrasive cutting blade

- Make sure that there are no cracks or damages on the cutting blade.



- Hang the cutting blade on your finger and hit the cutting blade lightly with a screwdriver. If you do not hear a clear sound, the cutting blade is damaged.



Diamond blades



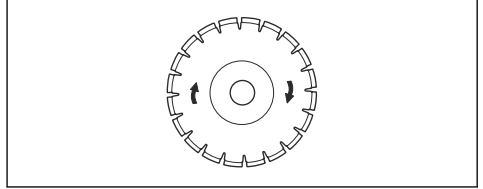
WARNING: Diamond blades become very hot when used. A diamond blade that is too hot gives bad performance, blade damage and is a safety risk.



WARNING: Do not use diamond blades to cut plastic material. The hot diamond blade can melt the plastic, which can cause a kickback.

- Diamond blades have a steel core with segments that are made of industrial diamonds.
- Diamond blades are used for masonry, reinforced concrete and stone.

- Make sure that the diamond blade rotates in the direction of the arrows shown on the diamond blade.



- Always use a sharp diamond blade.
- Diamond blades can become blunt if you use an incorrect feeding pressure or when you cut materials such as hard reinforced concrete. If you use a blunt diamond blade it becomes too hot, which can cause the diamond segments to come loose.

To sharpen the cutting blade

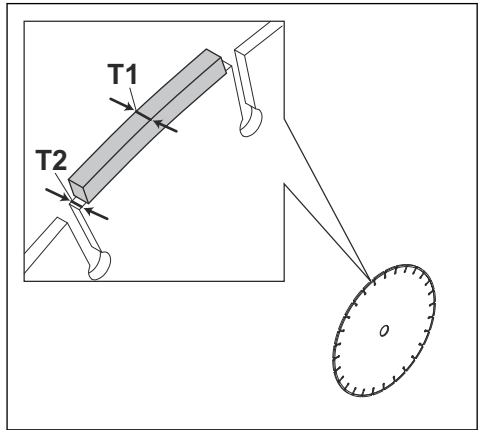
Note: For the best cutting results, use a sharp cutting blade.

- To sharpen the cutting blade, cut into soft material, such as sandstone or brick.

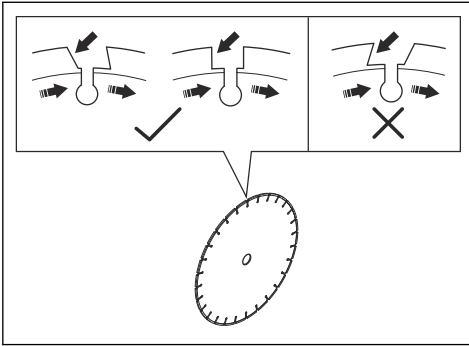
Diamond blade - requirements



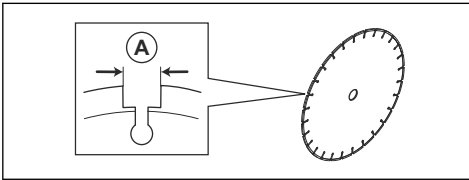
WARNING: Make sure the diamond segment (T1) is wider than the blade (T2). This is to prevent pinching in the cutting slot and a kickback.



WARNING: Do not use diamond blades with positive rake angles.



WARNING: Do not use diamond blades with greater gap between segments than max 10 mm (A).



WARNING: Do not use diamond blades with greater blade thickness than recommended maximum, refer to *Technical data on page 32*.



WARNING: Some cutting situations and worn blades may cause increased wear on the side of the segments. Replace the blade before it is worn out.

Diamond blades for wet cutting



WARNING: Always use a blade flange dimension that is specified for the current blade dimension. Do not use blade flanges that are damaged.

During the operation, the friction causes the diamond blade to become very hot. If the diamond blade becomes too hot, it will decrease the blade tension or make the core crack.

Let the diamond blade become cool before you touch it.

- Diamond blades for wet cutting must be used with water to keep the diamond blade core and segments cool during cutting. Diamond blades for wet cutting can not be used dry.
- If you use diamond blades for wet cutting without water, the diamond blade can become too hot. This

gives bad performance, blade damage and is a safety risk.

Diamond blades for dry cutting

- For diamond blades for dry cutting it is necessary to have a sufficient airflow around the cutting blade to decrease the temperature. Because of this, diamond blades for dry cutting are recommended only for intermittent operation. After some seconds of operation, it is necessary to let the diamond blade rotate freely, away from the cut. This lets the airflow around the blade decrease the temperature of the diamond blade.

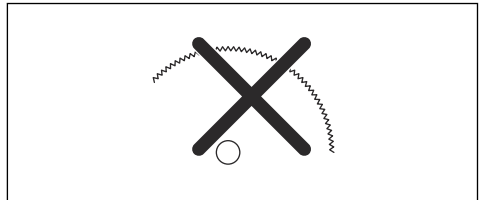
Toothed blades



WARNING: Never use toothed blades such as wood cutting blades, circular toothed blades, carbide tipped blades, etc. The risk of kickback is significantly increased and tips can be torn off and thrown at high speed. Carelessness can result in serious personal injury or even death.



WARNING: Government regulation requires a different type of guarding for carbide tipped blades not available on power cutters – a 360 degree guard. Power Cutters (this saw) use diamond blades and have a different guarding system which does not provide protection against the dangers presented by wood cutting blades.



Use of this power cutter with a carbide tipped blade is a violation of work safety regulations.

Due to the hazardous nature and exigent circumstances involved with fire fighting and rescue operations conducted by the various highly trained public safety forces, safety professionals (fire departments), Husqvarna is aware that they may use this power cutter with carbide tipped blades in certain emergency situations due to the ability of carbide tipped blades to cut many different types of obstructions and materials in combination without having to take time to switch blades or machines. When using this power cutter be aware at all times that carbide tipped blades are more kickback prone than diamond blades if not used properly. Carbide tipped blades can also throw pieces of material away from the blade.

For these reasons, a power cutter equipped with a carbide tipped blade should never be used except by highly trained public safety professionals who are aware of the risks associated with its use and then only in those exigent circumstances when other tools are deemed inefficient and ineffective for fire or rescue operations. A power cutter equipped with a carbide tipped blade should never be used to cut wood in non-rescue operations.

To examine the spindle shaft and the flange washers



WARNING: Use only Husqvarna flange washers. Minimum diameter for abrasive blades is 105 mm/4.1 in. and 60 mm/2.36 in. for diamond blades.



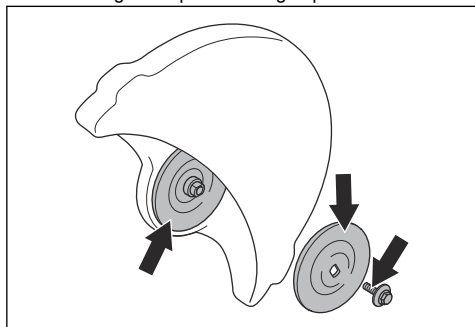
WARNING: The small flange washers with a diamond blade symbol must only be used with diamond blades. Incorrect flange washers used on an bonded abrasive blade increases the risk of blade failure and injuries.



WARNING: Do not use defective, worn or dirty flange washers. Use only flange washers of the same dimension. Incorrect flange washers can cause the cutting blade to become damaged or come loose.

Examine the spindle shaft and the flange washers when you replace the cutting blade.

1. Make sure that the threads on the spindle shaft are not damaged. Replace damaged parts.



2. Make sure that the areas of contact on the cutting blade and the flange washers are not damaged. Replace damaged parts.
3. Make sure that the flange washers are clean and of the correct dimension.
4. Make sure that the flange washers move freely on the spindle shaft.

To install the cutting blade

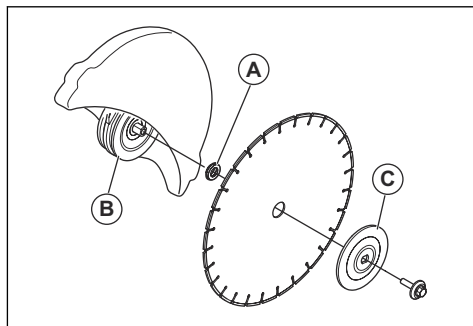


WARNING: Make sure that the motor is off and that the battery is disconnected.

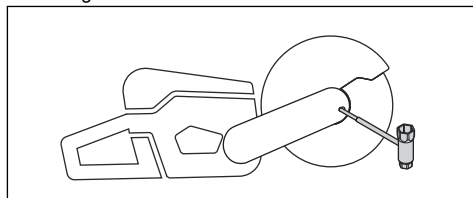


WARNING: Always use protective gloves when you assemble the product.

1. Examine the flange washers and the spindle shaft. Refer to *To examine the spindle shaft and the flange washers on page 17*.
2. Put the cutting blade on the arbor bushing (A) between the inner flange washer (B) and the flange washer (C). Turn the flange washer until it holds on to the shaft.



3. Put a tool into the hole in the belt guard and turn the cutting blade until the shaft is locked.

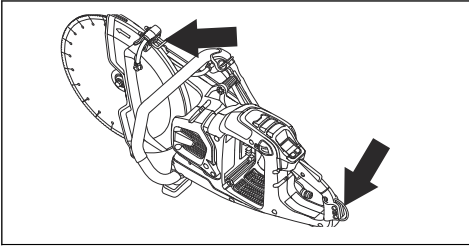


4. Tighten the cutting blade bolt to 30 Nm/18.5 ft-lb.

Strap eyelet (K1 PACE Rescue)

The product has 2 strap eyelets. The eyelets are used to attach the shoulder strap.

The strap eyelet can be used to attach the product to a solid object to prevent falls. If the product falls, serious injury or damage to the equipment can occur.



Operation

Introduction



WARNING: Read and understand the safety chapter before you use the product.

Kickback



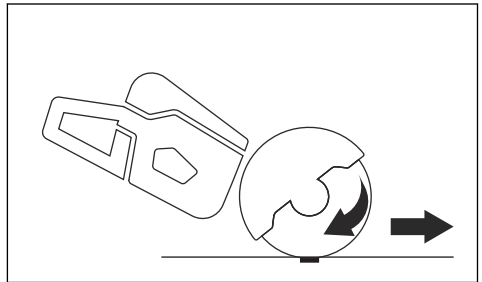
WARNING: Kickbacks are sudden and can be very violent. The power cutter can be thrown up and back towards the user in a rotating motion causing serious or even fatal injury. It is vital to understand what causes kickback and how to avoid it before using the product.

Kickback is the sudden upward motion that can occur if the blade is pinched or stalled in the kickback zone. Most kickbacks are small and pose little danger. However a kickback can also be very violent and throw the power cutter up and back towards the user in a rotating motion causing serious or even fatal injury.

Reactive force

A reactive force is always present when cutting. The force pulls the product in the opposite direction to the blade rotation. Most of the time this force is insignificant. If the blade is pinched or stalled, the reactive force will

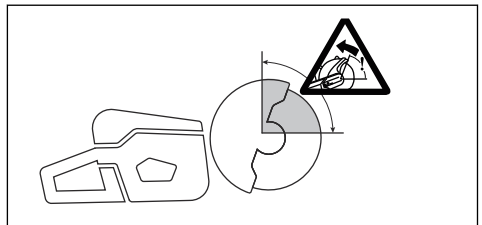
be strong and you might not be able to control the power cutter.



Never move the product when the cutting equipment is rotating. Gyroscopic forces can obstruct the intended movement

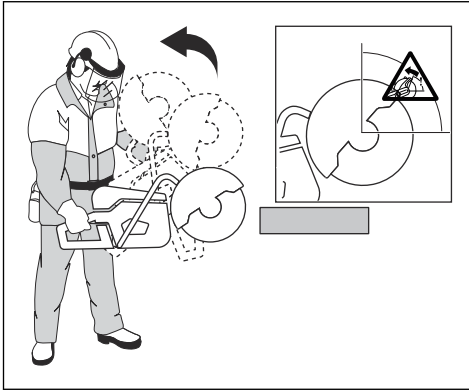
Kickback zone

Never use the kickback zone of the blade for cutting. If the blade is pinched or stalled in the kickback zone, the reactive force will push the power cutter up and back towards the user in a rotating motion causing serious or even fatal injury.



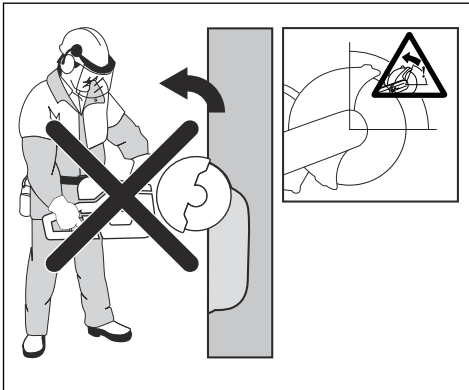
Rotational kickback

A rotational kickback occurs when the cutting blade does not move freely in the kickback zone.



Climbing kickback

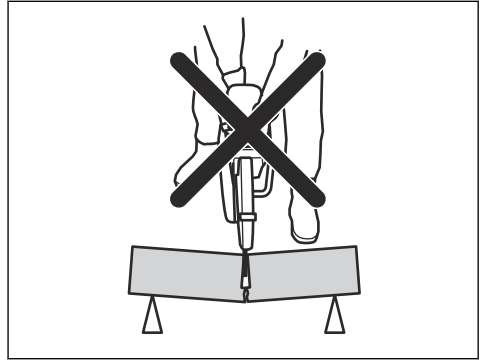
If the kickback zone is used for cutting, the reactive force drives the blade to climb up in the cut. Do not use the kickback zone. Use the lower quadrant of the blade to avoid climbing kickback.



Pinching kickback

Pinching is when the cut closes and pinches the blade. If the blade is pinched or stalled the reactive force will

be strong and you might not be able to control the power cutter.



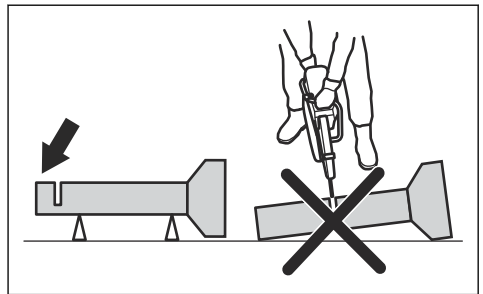
If the blade is pinched or stalled in the kickback zone, the reactive force will push the power cutter up and back towards the user in a rotating motion causing serious or even fatal injury. Be alert for potential movement of the work piece. If the work piece is not properly supported and shifts as you cut, it might pinch the blade and cause a kick back.

Pipe cutting

Special care should be taken when cutting in pipes. If the pipe is not properly supported and the cut kept open throughout the cutting, the blade might be pinched. Be especially alert when cutting a pipe with a belled end or a pipe in a trench that, if not properly supported, may sag and pinch the blade.

If the pipe is allowed to sag and close the cut, the blade will be pinched in the kick back zone and a severe kick back might develop. If the pipe is properly supported, the end of the pipe will move downward, the cut will open and no pinching will occur.

Secure the pipe so it does not move or roll during cutting. Make sure that the cut opens to avoid pinching the blade.



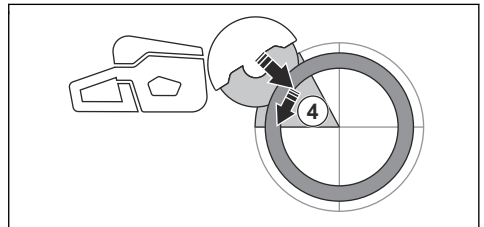
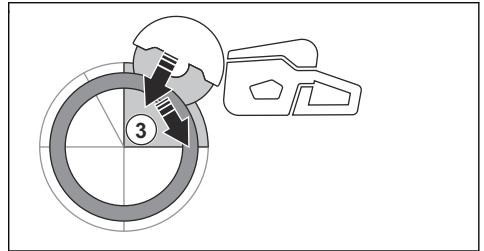
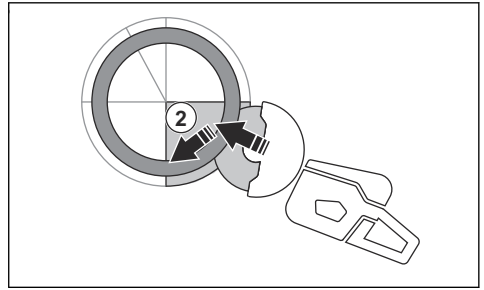
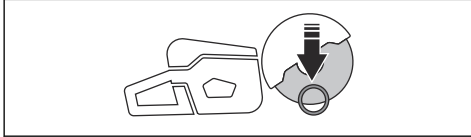
To cut in smaller pipes



WARNING: If the blade is pinched in the kickback zone, it will cause a severe kickback.

If the pipe is smaller than the maximum cutting depth of the product, the cutting operation can be done in 1 step from top to bottom.

- Cut the pipe from top to bottom.



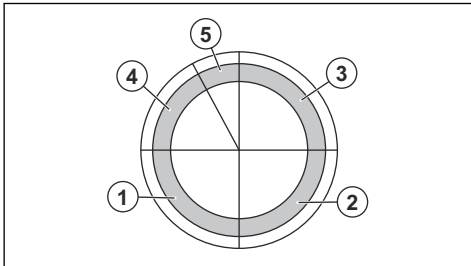
To cut in larger pipes



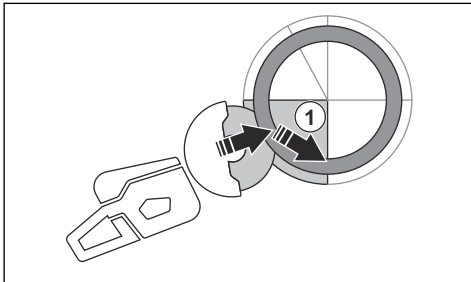
WARNING: If the blade is pinched in the kickback zone, it will cause a severe kickback.

If the pipe is larger than the maximum cutting depth of the product, and can not be rolled, the cutting operation needs to be divided in 5 steps.

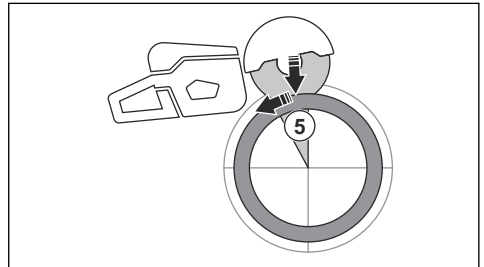
- Set the blade guard to pipe cutting mode. Refer to *To set the pipe cutting mode on page 24.*
- Divide the pipe into 5 sections. Do a mark of those sections and of a cutting line. Cut a shallow guide groove around the pipe.



- Cut those sections in 5 steps with the cutting directions shown by the arrows in each step.



- Make the final separating cut from the top of the pipe pulling backwards, without involving the upper quadrant of the blade. Adjust the blade guard to full forward position for maximum protection.



WARNING: If the pipe is properly supported, it should not pinch the blade when separated in section 5. However be alert if the blade is pinched during the final separation. If the blade is pinched in the lower section, the product may pull forward away from the operator, rather than resulting in a rotating kickback.

To prevent a kickback



WARNING: Avoid situations where there is a risk of kickback. Take care when using your power cutter and make sure that the blade is never pinched in the kickback zone.



WARNING: Be careful when you put the blade in an existing cut.

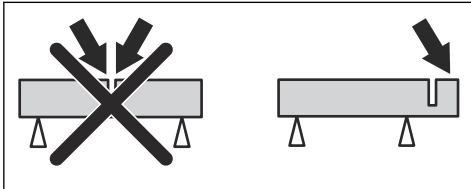


WARNING: Make sure that the work piece cannot move during a cutting operation.



WARNING: Only you and proper working technique can eliminate kickback and its dangers.

- Always support the work of piece so that the cut can keep open when cutting through. When the cut is open there is no kickback. If the cut is closed and pinches the blade, there is a risk of kickback.



X-Halt

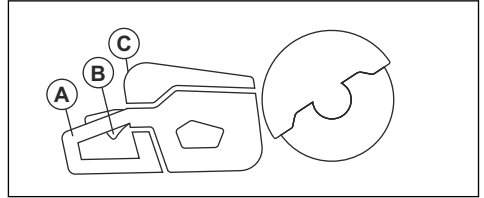
The X-Halt function is an electronic brake system that is engaged if a kickback occurs. The function can not fully prevent personal injury from a kickback, but it decreases the risk. A safe working technique is necessary to prevent kickbacks and to decrease the risk of injuries.

The X-Halt function is always on when the product is on. If the function is engaged, the user interface shows the X-Halt warning symbol until the product becomes cool. Refer to *Functions of the user interface* on page 11. For more information, refer to *Troubleshooting of the product* on page 29.

To do before you use the product

1. Read the operator's manual carefully and make sure that you understand the instructions.
2. Do the daily maintenance. Refer to *Maintenance schedule* on page 26.
3. Make sure that only approved persons are in the work area.
4. Make sure that you are in a safe and stable position during operation.

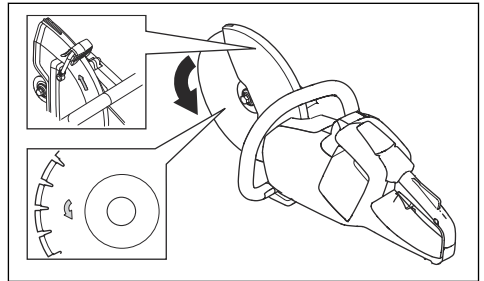
5. Make sure that the water connector is connected to a water supply. Refer to *To connect the coolant water* on page 25.
6. Do a check of the rear handle (A) to make sure that it is not damaged.



7. Do a check of the power trigger lockout (B) to make sure that it operates correctly and that it is not damaged.
8. Do a check of the control panel (C) to make sure that it operates correctly.
9. Make sure that all parts and guards are correctly attached and not damaged or missing.
10. Charge the battery and make sure that it is correctly attached to the product. Only use batteries.
11. Make sure that the power cutter stops when you release the power trigger.

To examine the direction of rotation of the cutting blade

1. Find the arrow on the blade guard that shows the direction of rotation of the spindle shaft.



2. Find the arrow on the cutting blade that shows the direction of rotation of the cutting blade.
3. Make sure that the direction arrow of the cutting blade and the spindle shaft have the same direction.

To do a check of the arbor bushing

The arbor bushings are used to attach the product to the center hole of the cutting blade. The product is supplied with arbor bushings that are applicable for 20 mm / 0.79 in. or 25.4 mm / 1 in. center holes.

- Make sure that the dimension of the center hole of the cutting blade agrees with the installed arbor bushing. The diameter of the center hole is printed on the cutting blade.
- Use only Husqvarna arbor bushings.

Bluetooth® wireless technology

Products with built-in Bluetooth® wireless technology can connect to mobile devices and enables additional functions from Husqvarna connect.

The symbol for *Bluetooth®* wireless technology comes on when your mobile device is connected to the product.



To use embedded connectivity with fleet

Note: This part is applicable only for products supplied with embedded connectivity.

Note: Radio transmission by the Bluetooth® function will be enabled on the first time of connection to a battery, and stay on after that.

1. Download the Husqvarna Fleet Services iOS or Android app Husqvarna Fleet Services.
2. Go to Husqvarna Fleet Services website <https://fleetservices.husqvarna.com> for more information.

To connect the battery charger



WARNING: Only use the battery charge in ambient temperatures between 5°C/41°F and 40°C/104°F.

1. Connect the battery charger to the voltage and frequency that is specified on the rating plate.
2. Put the plug in a grounded socket outlet. The LED on the battery charger flashes green one time.

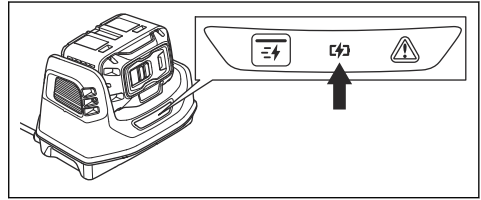
To connect the battery to the battery charger

Note: Charge the battery if it is the first time that you use it. A new battery is only 30% charged.

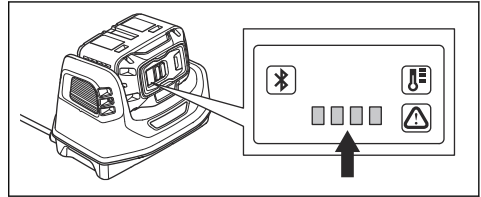
Note: The battery will not charge if the battery temperature is too high. Let the battery become cool before the battery charges

1. Make sure that the battery is dry.
2. Put the battery in the battery charger.

3. Make sure that the green charging light on the battery charger comes on. That means that the battery is connected correctly to the battery charger.



4. When all LEDs on the battery come on, the battery is fully charged.



5. To disconnect the battery charger from the mains socket, pull the plug. Do not pull the cable.
6. Remove the battery from the battery charger.

Note: Refer to the battery and battery charger manuals for more information.

Basic working techniques



WARNING: Do not move the power cutter to the side. This can prevent the free movement of the blade and cause the blade to break, which can cause an injury.



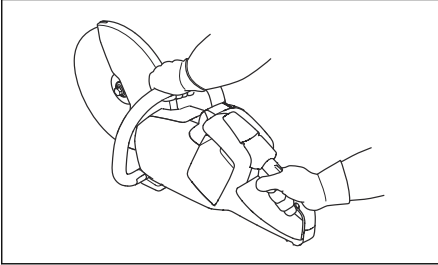
WARNING: Do not use the side of the blade. The blade can become damaged and broken, which can cause an injury. Use only the cutting edge.



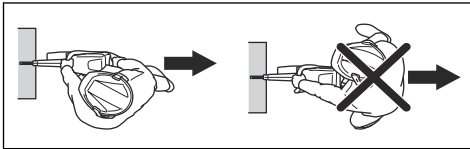
WARNING: Do not use a diamond blade to cut plastic material. The heat that occurs can melt the plastic. Melted plastic can attach to the cutting blade and cause a kickback.

- The product is made for high speed diamond blades approved for handheld power cutters. Use Husqvarna recommended cutting blades for the product.
- The product is made to cut into tiles, light concrete and stone. Use only for this type of operation.
- Make sure that the cutting blade does not show signs of damage and that it is attached correctly, refer to *Abrasive blades on page 14* and *To install the cutting blade on page 17*.

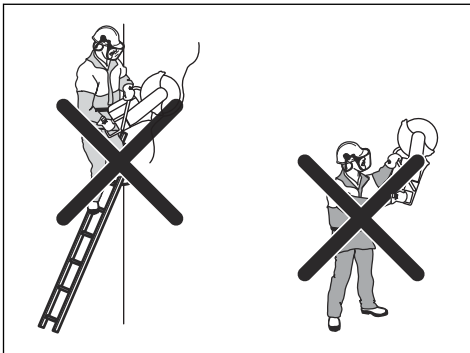
- Always use the correct cutting blade for the type of operation, refer to *Cutting blades on page 13*.
- Do not cut asbestos material.
- Always hold the power cutter with 2 hands. Always hold the product tightly with thumbs and fingers around the handles. Always hold the rear handle with the right hand and the front handle with the left hand.



- Always be parallel to the cutting blade. Do not be linearly behind the cutting blade. If there is a kickback, the power cutter moves in the plane of the cutting blade.

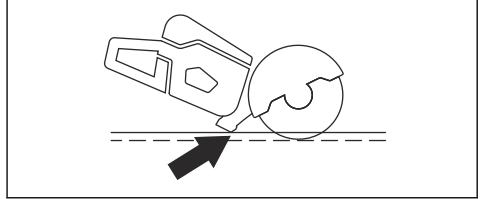


- Keep a safe distance to the cutting blade when the engine operates.
- Make sure that you are in a stable position during operation.
- Keep applicable distance from the object you are cutting.
- Do not operate above shoulder height. Use a platform or scaffold if the cutting operation is above shoulder height. Do not overreach.
- Do not operate from a ladder.

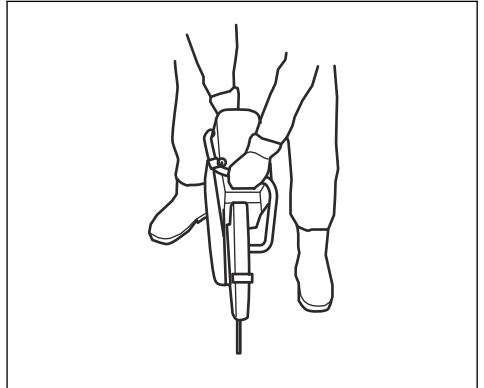


- Make sure that the cutting blade is free when the engine is started.

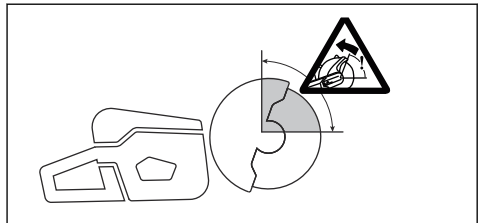
- Always monitor the product when the engine operates.
- Do not move the product when the cutting blade rotates. The product has an electrical retarder to decrease the blade stop time.
- Make sure that the front ground support is flush with the work piece at the rear. The blade guard collects spray and dust and keeps them away from the operator.



- Cut with full throttle. Keep full rotating speed until the cutting operation is completed.
- Push the cutting blade lightly against the object you are cutting. Do not use force.
- Align the cutting blade with the cut.



- Move the cutting blade slowly forward and rearward to decrease the area between the cutting blade and the material. This decreases the temperature of the cutting blade.



- Do not cut with the kickback zone of the blade, see *Kickback zone on page 18*.

To set the pipe cutting mode



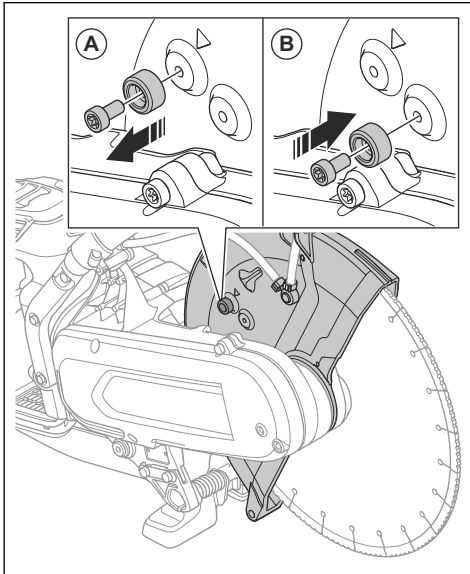
WARNING: The adjustment handle for blade guard can be very hot, use gloves when you adjust the blade guard.



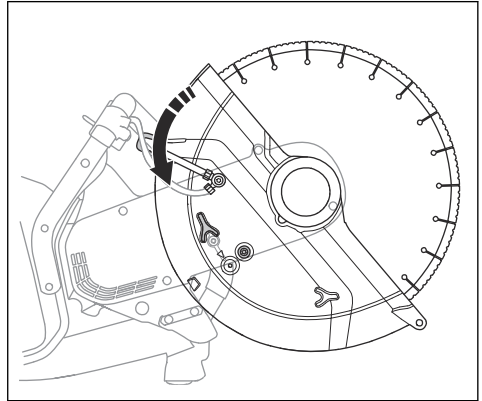
WARNING: Only use pipe cutting mode during pipe cutting operation. In all other operations you must use standard cutting mode.

The pipe cutting mode enables pipe cutting in the kickback zone.

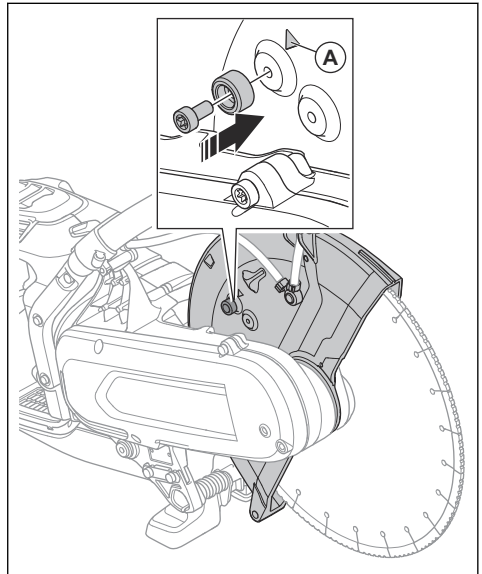
1. Move the stop bolt of the blade guard from the standard cutting mode (A) to the pipe cutting mode (B).



2. Pull the adjustment handle to enable the pipe cutting mode.



3. Put back the stop bolt to the standard cutting mode after the pipe cutting operation. The arrow (A) shows the standard cutting mode.



Wet cutting



CAUTION: Do not use Vac equipment together with the wet system.

- Diamond blades for wet cutting must be used with the wet system.
- Water cool the blade and increases its service life while also decrease the dust.

- When wet cutting, make sure to collect the waste water safely.

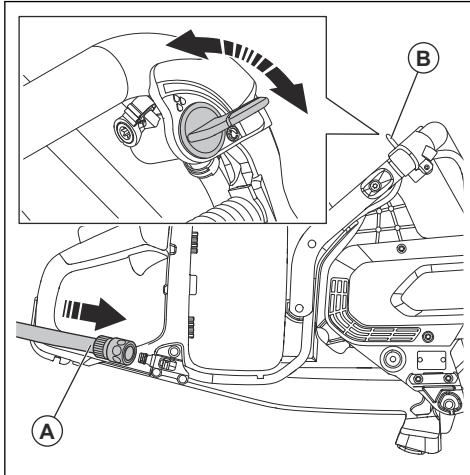
To decrease dust during operation

The product has a wet cutting kit to decrease harmful dust in the air during operation. The wet cutting kit has low water consumption.

- When possible, use wet cutting blades with water cooling. Refer to *Diamond blades for wet cutting on page 16*.
- Adjust the water flow with the valve. The correct flow is different for different types of tasks.
- Make sure that the water pressure is correct. Refer to *Technical data on page 32*. If the water hose comes off at the supply source, the supplied water pressure can be too high.

To connect the coolant water

1. Connect the water hose to the water supply (A).



2. Turn the water valve (B) to start or stop the water flow.
3. Examine the water connection and the hose for leakage.
4. Make sure that the water pressure is not higher than the maximum permitted water pressure, refer to *Technical data on page 32*.

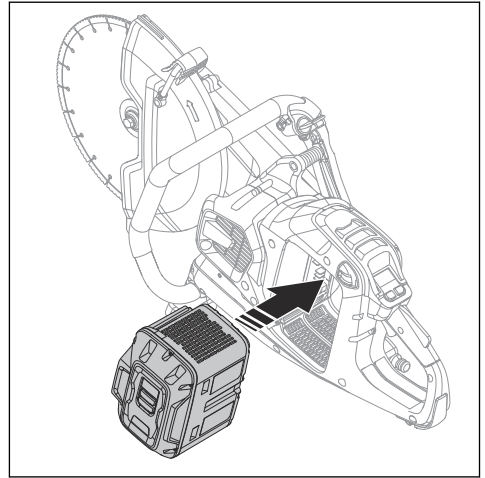
Dry cutting

- When dry cutting, lift the blade out from the cut each 30–60 seconds and let it rotate in the air for 10 seconds to let it cool.
- Use Vac equipment if possible.

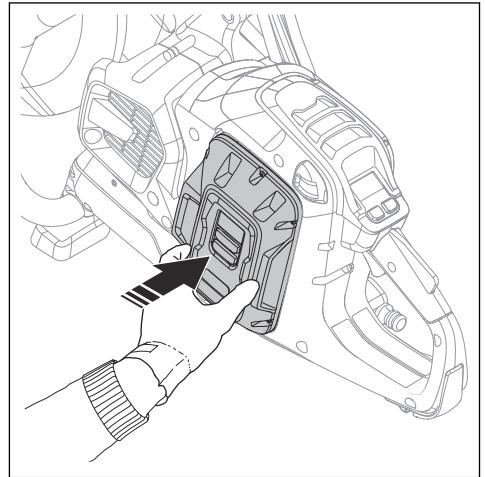
To start the product

1. Do a check of the power trigger and power trigger lockout. Refer to *To do a check of the power trigger lockout on page 27*.

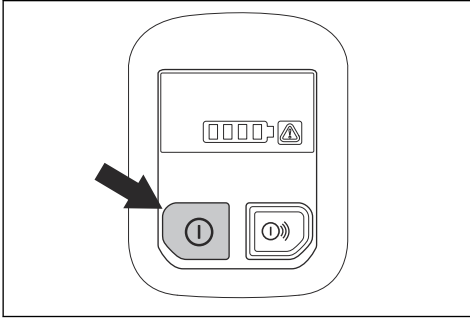
2. Put the battery in the battery holder.



3. Push on the lower part of the battery until you hear a click sound. If the battery does not move into the battery holder easily, it is not attached correctly into the battery holder.



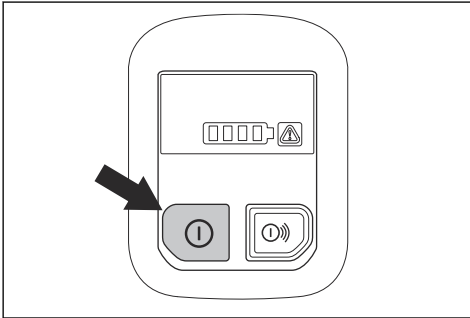
4. Push and hold the On/Off button until the green LED light comes on.



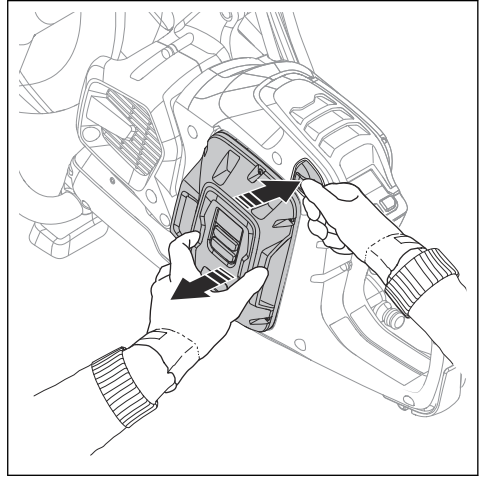
5. Push the power trigger to start the motor.

To stop the product

1. Release the power trigger.
2. Push and hold the On/Off button on the control panel until the green LED light goes off.



3. Push the battery release button and remove the battery from the battery holder.



WARNING: Remove the battery when you do not use or when you do not have full vision of the product. This is to prevent accidental start.

Maintenance

Introduction



WARNING: Read and understand the safety chapter before you do maintenance work on the product.



WARNING: Remove the battery before you do maintenance on the product.



WARNING: Failure to do maintenance correctly can decrease the product life

cycle and increase the risk of accidents. All servicing and/or repair work must also be done by a professional. Turn to your servicing dealer for more information.

Maintenance schedule

The following is a list of the maintenance steps that you must do on the product.

Maintenance	Before use	Weekly	Monthly
Clean the external parts of the product.	X		

Maintenance	Before use	Weekly	Monthly
Make sure that the power trigger and the power trigger lockout function correctly from a safety point of view.	X		
Do a check of the cutting blade. Look for cracks and make sure that the cutting blade is not unusually worn. Replace if necessary.	X		
Clean the fan housing on the product.	X		
Make sure that the screws and nuts are tight.	X		
Make sure that the control panel works correctly and that it is not damaged.	X		
Do a check of the connections between the battery and the product. Do a check of the connection between the battery and the battery charger.			X
Blow through the product and battery soft with compressed air.			X

To clean externally

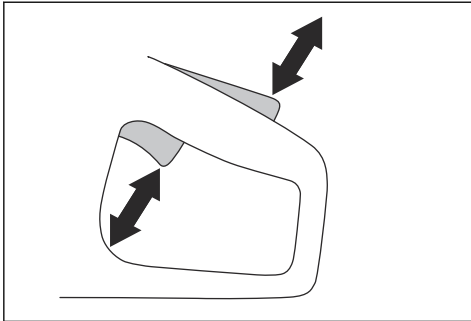


WARNING: Do not use a high-pressure washer to clean the product.

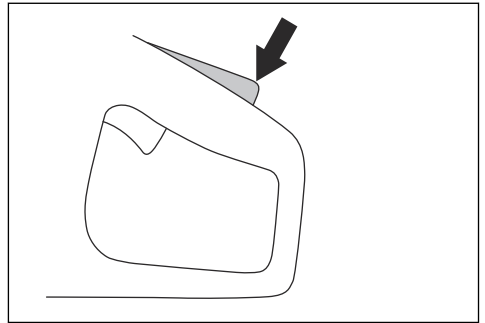
- Flush the product externally with clean water after each day of operation. If it is necessary, use a brush.

To do a check of the power trigger lockout

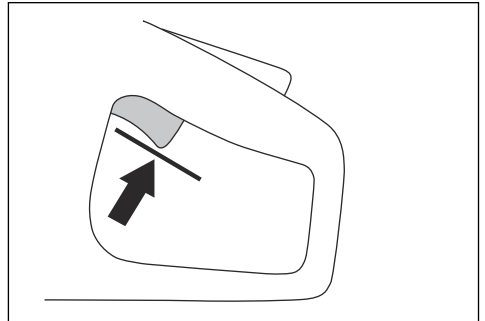
1. Make sure that the power trigger and power trigger lockout move freely and that the return spring operates correctly.



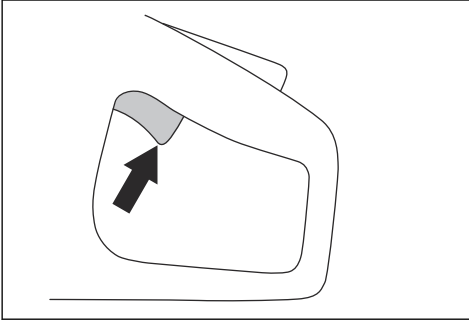
2. Push down the power trigger lockout and make sure that it goes back to its initial position when you release it.



3. Make sure that the power trigger is locked at the idle position when the power trigger lockout is released.



4. Push and hold the On/Off button to start the product and apply full power. Refer to *To start the product on page 25*.



5. Release the power trigger and make sure that the cutting blade stops. If the cutting blade rotates when the power trigger is in the idle position, speak to your servicing dealer.

To clean the battery and the battery charger



WARNING: Do not clean the battery or the battery charger with water.

- Make sure that the battery and the battery charger are clean and dry before you put the battery into the battery charger.
- Clean the battery terminals with compressed air or use a soft and dry cloth.
- Clean the surfaces of the battery and the battery charger with a soft and dry cloth.

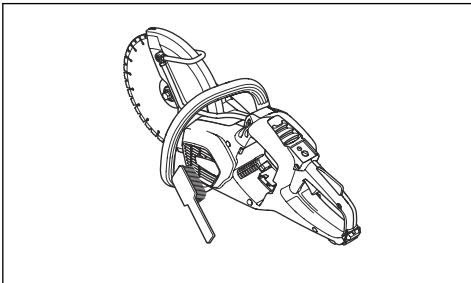
To do a check of the battery charger

1. Make sure that the battery charger and the power supply cord is not damaged. Look for cracks and other defects.

To clean the cooling system

The product has a cooling system that keeps the temperature of the product as low as possible.

The cooling system includes an air intake on the left side of the product and a fan on the motor.



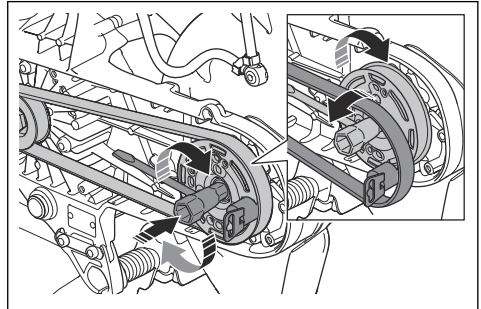
1. Clean the cooling system with a brush weekly or more frequently if necessary.
2. Make sure that the cooling system is not dirty or blocked.



CAUTION: A dirty or blocked cooling system can cause the product to become too hot.

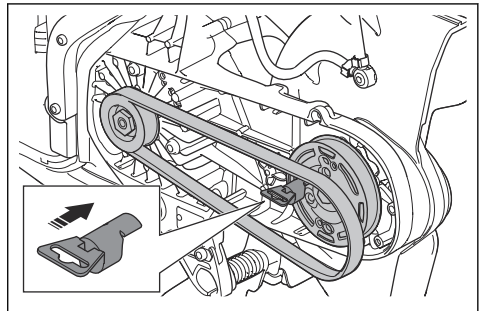
To remove the drive belt

1. Remove the belt guard. Refer to *Product overview K1 PACE on page 2*.
2. Put the belt tool on top of the front pulley. Use a wrench to pull the drive belt off the pulley.

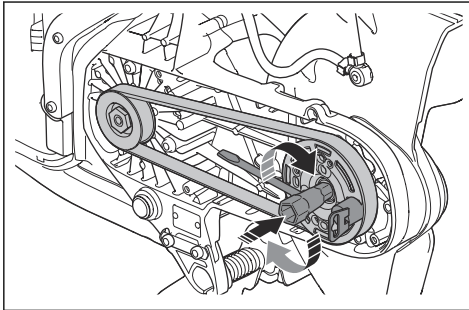


To install the drive belt

1. Put the drive belt around the rear pulley.
2. Put the belt assembly tool on top of the front pulley.



- Turn the front pulley clockwise with the combination wrench. At the same time, push the drive belt onto the pulley.

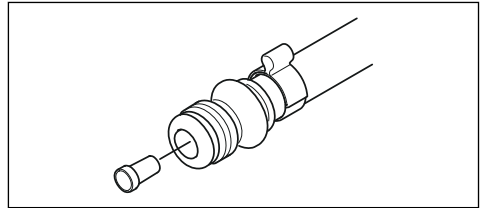


- Attach the belt guard. Refer to *Product overview K1 PACE* on page 2.

To do a check of the water supply system

- Examine the nozzles on the blade guard and make sure that they are not clogged.

- Clean as necessary.
- Examine the filter on the water connector. Make sure that it is not clogged.
- Clean as necessary.







- Examine the hoses and make sure that they are not damaged.

Troubleshooting

Troubleshooting of the product

Note: For troubleshooting of the battery and the battery charger refer to related operator's manual.

Symbol on the control panel	Problem	Cause	Solution
	The product does not start. No LEDs come on when you push the On/Off button.	Defective battery.	Push the On/Off button to do a check of the battery. A minimum of 1 green LED must come on.
		Defective plug between battery and product.	Make sure that the power connectors between the battery and the product are not dirty or damaged.
		The battery is not correctly installed in the product.	Remove the battery and install it correctly.
		Servicing is necessary.	Speak to an approved Husqvarna service center.
	No reaction from the motor when you push the power trigger.	Servicing is necessary.	Speak to an approved Husqvarna service center.
	The motor makes a sudden movement when you push the power trigger, then stops.	Servicing is necessary.	Speak to an approved Husqvarna service center.
	The product stops during a kickback.	The X-Halt function is engaged.	Wait for the X-Halt to disengage.

Symbol on the control panel	Problem	Cause	Solution
	The product stops when you apply work load.	You have put too high load on the product.	Start the product and use less load.
	The product operates but there is no indication light on the control panel.	Servicing is necessary.	Speak to an approved Husqvarna service center.
	The warning indicator flashes red. Temporary warning.	Temperature deviation, if the temperature warning indicator is also on.	Let the product cool down if it is too hot. If it is too cool, put it indoors to warm up.
		Defective battery.	Replace the battery.
		Incorrect direction of rotation.	The product stops. Pull the power trigger to reset.
		The power trigger is pushed during startup.	Release the power trigger during startup.
	The power trigger and the On/Off button are pushed at the same time.	Release the power trigger.	
	The red warning indicator is on	Servicing is necessary.	Speak to an approved Husqvarna service center.
	The yellow temperature warning indicator is on.	Temperature deviation.	The product is too hot or too cold.
	The X-Halt indicator flashes.	The X-Halt function is engaged.	Wait for the cool down period to complete.
	The X-Halt indicator is on.	Servicing is necessary.	Speak to an approved Husqvarna service center.
	1 green LED flashes.	Low battery voltage.	Charge the battery.
	All green LEDs flash.	Servicing is necessary.	Speak to an approved Husqvarna service center.
	LED 3 flashes and LED 4 is on permanently.	Servicing is necessary.	Speak to an approved Husqvarna service center.

Transportation, storage and disposal

Transportation and storage

- Secure the product during transportation to prevent damage and accidents.
- Remove the cutting blade before transportation or storage of the product.
- Keep the product in a locked area to prevent access for children or persons that are not approved.
- Keep the cutting blades in dry, frost free conditions.
- Disconnect the battery from the product.

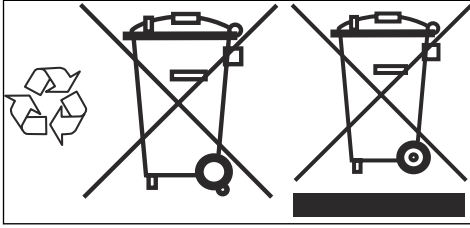
- Examine all new and used blades for transport and storage damage before assembly.

Disposal of the battery, battery charger and product

The symbol below means that the product is not domestic waste. Recycle it at a recycling station

for electrical and electronic equipment. This helps to prevent damage to the environment and to persons.

Speak to local authorities, domestic waste service or your dealer for more information.



Note: The symbol shows on the product or package of the product.

Technical data

Technical data

Husqvarna K1 PACE		
Voltage d.c. maximum/nominal, V		109.2/93.6
Weight, kg/lbs	K1 PACE 12in.	7.2/15.8
	K1 PACE 14in.	7.4/16.3
	K1 PACE Rescue	7.9/17.4
Maximum cutting depth, mm/in.	12in.	121/4.8
	14in.	144.5/5.7
Maximum blade diameter, mm/in.	K1 PACE 12in.	314/12.4
	K1 PACE 14in.	361/14.2
	K1 PACE Rescue	361/14.2
Maximum blade thickness, mm/in.	Abrasive blades	4.0/0.16
	Diamond blades	1.8/0.07
Blade shaft, rpm no load	K1 PACE 12in.	3800
	K1 PACE 14in.	3400
Water cooling of blade		Yes
Connecting nipple		Type "Gardena"
Recommended water pressure, bar/psi		0.5–6/7.3–87
Maximum water pressure, bar/psi		6/87
Vibration levels, a_{hveq} ¹	12" Front, m/s ²	2.0
	12" Rear, m/s ²	1.1
	14" Front, m/s ²	2.2
	14" Rear, m/s ²	1.2
Noise emissions ²	LpA, dB(A)	102
	LwA, dB(A)	112.9

Noise and vibration declaration statement

These declared values were obtained by laboratory type testing in accordance with the stated directive or standards and are suitable for comparison with the

declared values of other products tested in accordance with the same directive or standards. These declared values are not suitable for use in risk assessments and values measured in individual work places may be higher. The actual exposure values and risk of harm experienced by an individual user are unique and depend upon the way the user works, in what material

¹ Equivalent vibration level, according to EN 60745-2-22, is calculated as the time-weighted energy total for vibration levels. Reported data for vibration levels has an uncertainty of 1.5 m/s².

² The noise emission is measured in accordance with EN 60745-2-22. Uncertainty for the A-weighted sound power level K_{WA} is 3 dB(A). Uncertainty for the A-weighted sound pressure level K_{pA} is 3 dB(A).

the product is used, as well as upon the exposure time and the physical condition of the user, and the condition of the product.

Embedded connectivity

Note: This part is applicable only for products supplied with embedded connectivity.

BLE technology radio spectrum	
Frequency bands for the tool, GHz	2.402-2.480
Maximum radio-frequency power transmitted, dBm/mW	4/2.5

Accessories

Approved batteries for the product

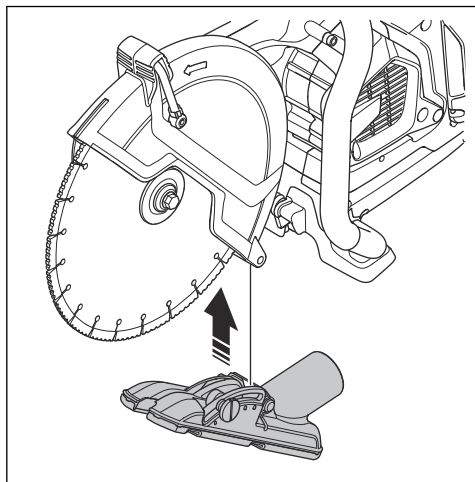
Battery	100-B380X	100-B750X
Type	Lithium-ion	Lithium-ion
Battery capacity, Ah	4	8
Nominal voltage, V	94	94
Weight, kg / lb	3.1 / 6.1	5.1 / 11.4

Approved battery chargers for the product

Battery charger	100-C900X
Mains voltage, V	100-240
Frequency, Hz	50-60
Power, W	900

Vacuum attachment

Use the vacuum attachment to connect a dust extractor to the product.



Service

Approved service center

To find your nearest Husqvarna approved service center, go to the web site www.husqvarnacp.com.

Declaration of Conformity

EU Declaration of Conformity

We, **Husqvarna AB**, SE-561 82 Huskvarna, Sweden, tel:
+46-36-146500, declare on our sole responsibility that
the product:

Description	Portable cut-off machine
Brand	Husqvarna
Type/Model	K1 PACE, K1 PACE Rescue
Identification	Serial numbers dating from 2021 and onwards

complies fully with the following EU directives and
regulations:

Directive/Regulation	Description
2006/42/EC	"relating to machinery"
2014/53/EU	"relating to radio equipment"
2011/65/EU	"relating to restriction of hazardous substances"

and that the following standards and/or technical
specifications are applied;

EN ISO 12100:2010

EN 60745-1:2009

EN 60745-2-22:2011/A11:2013

EN 55014-1:2017

EN 55014-2:2015

ETSI EN 301 489-1 V2.2.3

ETSI EN 301 489-17 V3.2.4

ETSI EN 300 328 V2.2.2

EN IEC 63000:2018

Partille, 2021-05-24



Erik Silfverberg

R&D Director, Concrete Sawing & Drilling Equipment

Husqvarna AB, Construction Division

Responsible for technical documentation



UK Declaration of Conformity

We, **Husqvarna AB**, SE-561 82 Huskvarna, Sweden, tel: +46-36-146500, declare on our sole responsibility that the product:

Description	Portable cut-off machine
Brand	Husqvarna
Type/Model	K1 PACE, K1 PACE Rescue
Identification	Serial numbers dating from 2021 and onwards

complies fully with the following EU directives and regulations:

Description
The Supply of Machinery (Safety) Regulations 2008
The Radio Equipment Regulations 2017
The Restriction of the Use of Certain Hazardous Substances in Electrical and Electronic Equipment Regulations 2012

and that the following standards and/or technical specifications are applied;

EN ISO 12100:2010
EN 60745-1:2009
EN 60745-2-22:2011/A11:2013
EN 55014-1:2017
EN 55014-2:2015
ETSI EN 301 489-1 V2.2.3
ETSI EN 301 489-17 V3.2.4
ETSI EN 300 328 V2.2.2
EN IEC 63000:2018
Partille, 2021-05-24

UK Importer:
Husqvarna UK Limited
Preston Road, Aycliffe
Business Park Newton
Aycliffe, County Durham
UK DL5 6UP



Erik Silfverberg
R&D Director, Concrete Sawing & Drilling Equipment
Husqvarna AB, Construction Division
Responsible for technical documentation

**UK
CA**

Registered trademarks

The *Bluetooth*[®] word mark and logos are registered trademarks owned by *Bluetooth SIG, inc.* and any use of such marks by Husqvarna is under license.

Inhalt

Einleitung.....	38	Transport, Lagerung und Entsorgung.....	70
Sicherheit.....	41	Technische Daten.....	72
Montage.....	51	Zubehör.....	73
Betrieb.....	56	Service.....	74
Wartung.....	65	Konformitätserklärung.....	75
Fehlerbehebung.....	68	Eingetragene Marken.....	76

Einleitung

Gerätebeschreibung

Der Trennschleifer ist eine tragbare, handgeführte Schneidmaschine. Das Produkt wird durch einen Akku betrieben.

Das Gerät kann für Nass- und Trockenarbeiten verwendet werden. Siehe *Nassschneiden auf Seite 63* und *Trockenschneiden auf Seite 64*.

Das Gerät verfügt über eine integrierte Konnektivität. Siehe *Integrierte Konnektivität auf Seite 41*.

Verwendungszweck

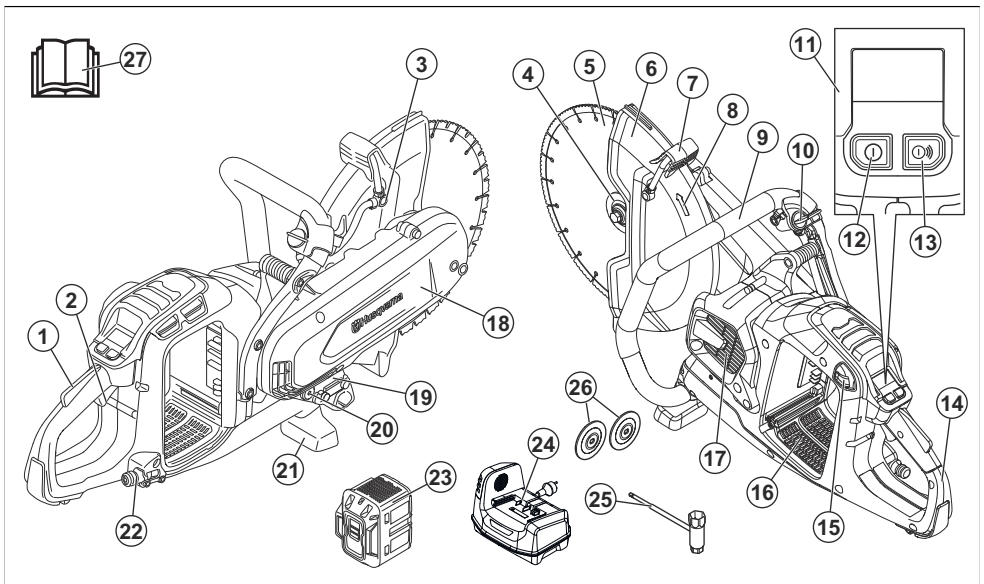
Das Gerät wird zum Schneiden harter Materialien wie Beton, Mauerwerk, Stein und Stahl verwendet.

Verwenden Sie das Gerät nicht für andere Aufgaben. Das Gerät darf nur von professionellen Bedienern eingesetzt werden.

Wir arbeiten laufend daran, Ihre Sicherheit und die Effektivität während des Betriebs zu verbessern. Ihr Servicehändler steht Ihnen gerne für weitere Informationen zur Verfügung.

Hinweis: Die Nutzung dieses Geräts ist möglicherweise durch nationale/örtliche Bestimmungen eingeschränkt.

Geräteübersicht K1 PACE

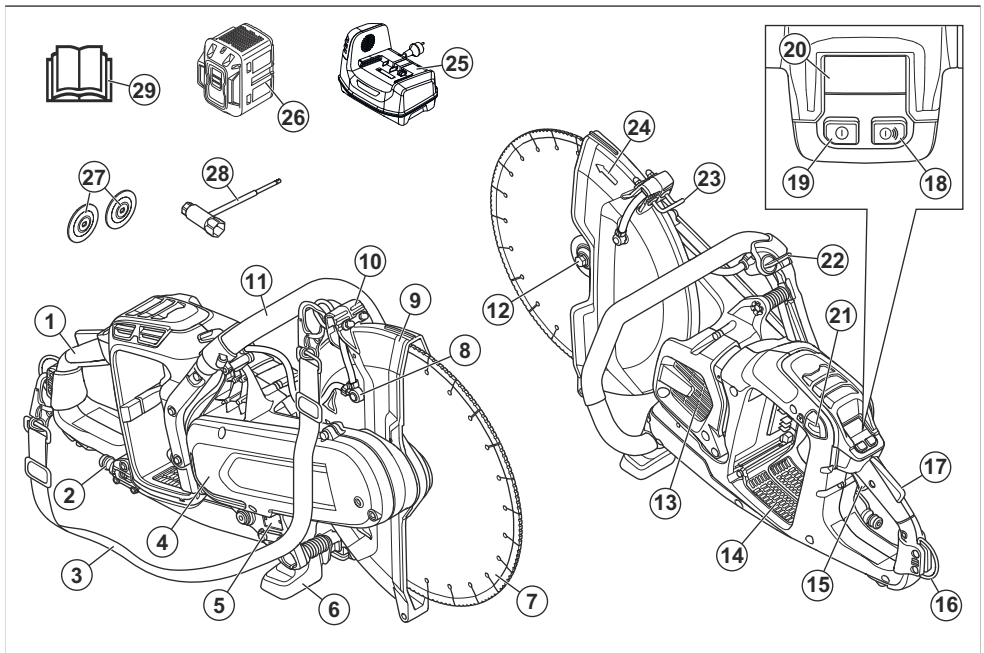


1. Gashebelsperre
2. Gashebel

3. Wasserdüse

- | | |
|---------------------------------------------------------|-------------------------------------------|
| 4. Flansch für Diamanttrennscheibe, Spindel, Dornbuchse | 16. Akkufach |
| 5. Trennscheibe | 17. Motorlufterinlass |
| 6. Trennscheibenschutz | 18. Riemenschutz |
| 7. Einstellhandgriff für Trennscheibenschutz | 19. Typenschild |
| 8. Drehrichtung der Spindel | 20. Dornbuchse 20 mm/0,8 Zoll |
| 9. Vorderer Handgriff | 21. Bodenstütze vorne |
| 10. Wasserventil | 22. Wasseranschluss mit Filter |
| 11. Bedienfeld | 23. Akku (nicht enthalten) |
| 12. On/Off-Taste | 24. Akkuladegerät (nicht enthalten) |
| 13. On/Off-Taste für Zubehör (nicht verwendet) | 25. Kombischlüssel |
| 14. Hinterer Handgriff | 26. Flansche für gebundene Schleifscheibe |
| 15. Akkuentriegelungstaste | 27. Bedienungsanleitung |

Geräteübersicht K1 PACE Rescue



- | | |
|-----------------------------------------------|----------------------------------------------------------|
| 1. Hinterer Handgriff | 12. Flansch für Diamanttrennscheibe, Spindel, Dornbuchse |
| 2. Wasseranschluss mit Filter | 13. Motorlufterinlass |
| 3. Schultergurt | 14. Akkufach |
| 4. Riemenschutz | 15. Gashebel |
| 5. Typenschild | 16. Hinterer Schultergurthalter |
| 6. Bodenstütze vorne | 17. Gashebelsperre |
| 7. Trennscheibe | 18. On/Off-Taste für Zubehör (nicht verwendet) |
| 8. Wasserdüse | 19. On/Off-Taste |
| 9. Trennscheibenschutz | 20. Bedienfeld |
| 10. Einstellhandgriff für Trennscheibenschutz | 21. Akkuentriegelungstaste |
| 11. Vorderer Handgriff | 22. Wasserventil |

- 23. Vorderer Schultergurthalter
- 24. Drehrichtung der Spindel
- 25. Akkuladegerät (nicht enthalten)
- 26. Akku (nicht enthalten)
- 27. Flansche für gebundene Schleifscheibe
- 28. Kombischlüssel
- 29. Bedienungsanleitung



Verwenden Sie diese nur mit Diamanttrennscheiben.



Dieses Gerät entspricht den geltenden EG-Richtlinien.



Umweltkennzeichen. Das Gerät und die Verpackung des Geräts dürfen nicht über den Hausmüll entsorgt werden. Recyceln Sie es an einer Recyclingstation für elektrische und elektronische Geräte.

Symbole auf dem Gerät



WARNUNG: Dieses Gerät kann gefährlich sein und schwere oder tödliche Verletzungen des Bedieners oder anderer Personen verursachen. Gehen Sie vorsichtig vor, und verwenden Sie das Gerät ordnungsgemäß.



Lesen Sie die Bedienungsanleitung sorgfältig durch, und machen Sie sich mit den Anweisungen vertraut, bevor Sie das Gerät benutzen.



Tragen Sie einen zugelassenen Schutzhelm, Gehörschutz, Augenschutz und Atemschutz. Siehe *Persönliche Schutzausrüstung auf Seite 48*.



Beim Trennen entsteht Staub. Dieser Staub kann bei Einatmen Verletzungen verursachen. Tragen Sie einen zugelassenen Atemschutz. Sorgen Sie immer für gute Belüftung.



Funken von der Trennscheibe können einen Brand in Kraftstoff, Holz, Kleidung, trockenem Gras oder anderen brennbaren Materialien verursachen.



WARNUNG! Rückschläge können plötzlich, schnell und sehr heftig sein und lebensbedrohliche Verletzungen hervorrufen. Lesen Sie die Anleitung, und machen Sie sich mit dem Inhalt vertraut, bevor Sie das Gerät benutzen. Siehe *Rückschlag auf Seite 56*.



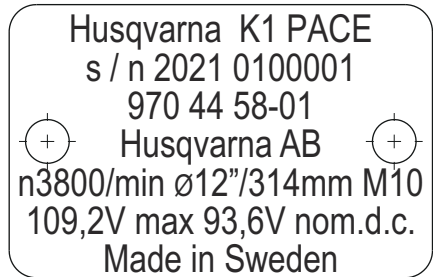
Stellen Sie sicher, dass die Trennscheibe keine Risse oder andere Beschädigungen aufweist.



Verwenden Sie keine kreisrunden Trennscheiben.

Hinweis: Sonstige Symbole/Aufkleber auf dem Gerät beziehen sich auf Zertifizierungsanforderungen, die in einigen Märkten gelten.

Typenschild



Zeile 1: Marke, Modell

Zeile 2: Seriennummer mit Herstellungsdatum: Jahr, Woche, Folgenr.

Zeile 3: Gerätenr.

Zeile 4: Hersteller

Zeile 5: n = Nenndrehzahl Abtriebswelle, /min = Umdrehungen pro Minute, ø = Scheibendurchmesser, Spindelschraubengewinde.

Zeile 6: Maximale Spannung und Nennspannung, DC = Gleichstrom

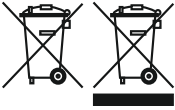
Zeile 7: Herkunftsland

Symbole auf dem Akku und/oder auf dem Ladegerät



WARNUNG: Dieses Gerät kann gefährlich sein und schwere oder tödliche Verletzungen des Bedieners oder anderer Personen verursachen.

Gehen Sie vorsichtig vor, und verwenden Sie das Gerät ordnungsgemäß.



Das Gerät und die Verpackung des Geräts dürfen nicht über den Hausmüll entsorgt werden.



Recyceln Sie das Gerät an einer entsprechenden Recyclingstation für elektrische und elektronische Geräte.



Legen Sie den Akku nicht in Wasser.



Halten Sie den Akku von direkter Sonneneinstrahlung, Hitze oder offenem Feuer fern.



Funktionserdung.

Integrierte Konnektivität

Die Cloud-Asset-Verwaltungslösung Husqvarna Fleet Services™ bietet dem Flottenmanager eine Übersicht über alle verbundenen Geräte mit integrierten oder nachgerüsteten Sensoren. Die Position des

Gateway oder Smartphones kann verwendet werden, um den Standort der verbundenen Geräte zu ermitteln. Die Sensoren zeichnen Daten wie Laufzeit, Wartungsintervalle und andere auf. Holen Sie sich für weitere Informationen zur Cloud-Asset-Verwaltungslösung Husqvarna Fleet Services™ die App Husqvarna Fleet Services für iOS oder Android unter <https://apps.apple.com/se/app/husqvarna-fleet-services/id1334672726> oder <https://play.google.com/store/apps/details?id=com.husqvarna.hfsmobile&hl=en>. Ihr Husqvarna-Fachhändler steht Ihnen gern für weitere Informationen zur Verfügung.

Manche Modelle dieses Geräts sind über den integrierten Husqvarna Fleet Services™-Sensor verbunden, der die Funktion Bluetooth Low Energy (BLE) unterstützt. Weitere Informationen zur Nutzung finden Sie unter *So verwenden Sie die integrierte Konnektivität mit Fleet auf Seite 60*. Siehe *Integrierte Konnektivität auf Seite 73* für weitere Informationen zum BLE-Technologie-Frequenzspektrum.

Produkthaftung

Im Sinne der Produkthaftungsgesetze übernehmen wir keine Haftung für Schäden, die unser Gerät verursacht, wenn...

- das Gerät nicht ordnungsgemäß repariert wird.
- das Gerät mit Teilen repariert wird, die nicht vom Hersteller stammen oder nicht vom Hersteller zugelassen sind.
- ein Zubehörteil mit dem Gerät verwendet wird, das nicht vom Hersteller stammt oder nicht vom Hersteller zugelassen ist.
- das Gerät nicht bei einem zugelassenen Service Center oder von einem zugelassenen Fachmann repariert wird.

Sicherheit

Sicherheitsdefinitionen

Warnungen, Vorsichtsmaßnahmen und Hinweise werden verwendet, um auf besonders wichtige Teile der Bedienungsanleitung hinzuweisen.



WARNUNG: Wird verwendet, wenn bei Nichtbeachtung der Anweisungen in diesem Handbuch die Gefahr von Verletzung oder Tod des Bedieners oder anderer Personen besteht.



ACHTUNG: Wird verwendet, wenn bei Nichtbeachtung der Anweisungen in diesem Handbuch die Gefahr von Schäden am Gerät, an anderen Materialien oder in der Umgebung besteht.

Hinweis: Für weitere Informationen, die in bestimmten Situationen nötig sind.

Allgemeine Sicherheitshinweise für Elektrowerkzeuge



WARNUNG: Lesen Sie sämtliche Sicherheitshinweise und Anweisungen durch. Wenn Sie die Warn- und Sicherheitshinweise nicht befolgen, kann dies zu Elektroschock, Brand und/oder schweren Verletzungen führen.

Hinweis: Bewahren Sie alle Warnhinweise und Anweisungen für spätere Referenzzwecke auf. Der Begriff „Elektrowerkzeug“ in den Warnhinweisen bezieht

sich auf ein Elektrowerkzeug mit Netzbetrieb (über ein Kabel) oder mit Akkubetrieb (kabellos).



WARNUNG: Reinigen Sie die Maschine nicht mit einem Hochdruckreiniger, da Wasser in das elektrische System oder den Motor eindringen und so Maschinenschäden oder einen Kurzschluss verursachen kann.

Sicherheit im Arbeitsbereich

- **Sorgen Sie für einen sauberen und gut ausgeleuchteten Arbeitsbereich.** Durch zugestellte oder dunkle Arbeitsbereiche steigt die Unfallgefahr stark an.
- **Betreiben Sie Elektrowerkzeuge niemals an Orten, an denen Explosionsgefahr besteht, z. B. in der Nähe von leicht entzündlichen Flüssigkeiten, Gasen oder Staubsammlungen.** Bei der Arbeit mit Elektrowerkzeugen kann es zu Funkenbildung kommen, wodurch sich Staub oder Dämpfe entzünden können.
- **Sorgen Sie bei der Arbeit mit Elektrowerkzeugen dafür, dass sich keine Kinder oder unbefugte Personen in der Nähe befinden.** Durch Ablenkungen können Sie die Kontrolle über das Werkzeug verlieren.

Elektrische Sicherheit

- **Die Netzstecker von Elektrowerkzeugen müssen zur Steckdose passen. Der Netzstecker darf in keiner Weise verändert werden. Verwenden Sie bei Elektrowerkzeugen mit Schutzkontakt (geerdet) niemals Adapterstecker.** Nicht modifizierte Stecker und passende Steckdosen reduzieren das Risiko eines Stromschlags.
- **Vermeiden Sie Körperkontakt mit geerdeten Gegenständen wie Rohrleitungen, Heizungen, Herden oder Kühlschränken.** Falls Ihr Körper geerdet oder an Masse gelegt ist, sind Sie einem erhöhten Risiko eines elektrischen Schlags ausgesetzt.
- **Setzen Sie Elektrowerkzeuge niemals Regen oder sonstiger Feuchtigkeit aus.** Wenn Wasser in ein Elektrowerkzeug eindringt, erhöht sich das Risiko eines elektrischen Schlags.
- **Verwenden Sie das Anschlusskabel nicht missbräuchlich. Verwenden Sie das Anschlusskabel niemals zum Tragen oder Heranziehen des Elektrowerkzeugs, und ziehen Sie den Stecker nicht am Anschlusskabel aus der Steckdose. Halten Sie das Kabel fern von Hitzequellen, Öl, scharfen Kanten und beweglichen Teilen.** Beschädigte oder verwickelte Kabel erhöhen das Risiko eines elektrischen Schlags.
- **Wenn Sie ein Elektrowerkzeug im Freien benutzen, verwenden Sie ein für den Außeneinsatz geeignetes Verlängerungskabel.** Die Verwendung eines für den Außeneinsatz geeigneten Kabels verringert das Risiko eines elektrischen Schlags.
- **Falls der Einsatz eines Elektrowerkzeugs in einer feuchten Umgebung nicht zu vermeiden ist, benutzen Sie eine Stromversorgung mit Fehlerstrom-Schutzeinrichtung (RCD).** Die Verwendung einer Fehlerstrom-Schutzeinrichtung (RCD) verringert das Risiko eines Stromschlags

Persönliche Sicherheit

- **Bleiben Sie aufmerksam, achten Sie auf das, was Sie tun, und setzen Sie gesunden Menschenverstand ein, wenn Sie mit Elektrowerkzeugen arbeiten. Benutzen Sie keine Elektrowerkzeuge, wenn Sie müde sind oder unter Einfluss von Drogen, Alkohol oder Medikamenten stehen.** Bei der Arbeit mit Elektrowerkzeugen können bereits kurze Phasen der Unaufmerksamkeit zu schweren Verletzungen führen.
- **Tragen Sie eine persönliche Schutzausrüstung. Tragen Sie stets einen Augenschutz.** Schutzausrüstung wie Atemschutzmaske, rutschsichere Sicherheitsschuhe, Schutzhelm und Gehörschutz senkt bei angemessenem Einsatz das Verletzungsrisiko.
- **Vermeiden Sie ein versehentliches Starten. Achten Sie darauf, dass sich der Schalter in der AUS-Stellung befindet, bevor Sie das Elektrowerkzeug an die Stromversorgung und/oder den Akku anschließen oder es hochheben oder herumtragen.** Die Unfallgefahr erhöht sich drastisch, wenn Sie Hochleistungswerkzeuge mit dem Finger am Schalter tragen oder Hochleistungswerkzeuge an das Stromnetz anschließen, wenn der Schalter bereits eingeschaltet ist.
- **Entfernen Sie sämtliche Einstellschlüssel, bevor Sie das Elektrowerkzeug einschalten.** Ein an einem beweglichen Teil des Elektrowerkzeugs angebrachter Schlüssel kann zu Verletzungen führen.
- **Arbeiten Sie nicht über die normale Reichweite hinaus. Achten Sie jederzeit darauf, sicher zu stehen und das Gleichgewicht zu bewahren.** Dadurch haben Sie das Elektrowerkzeug in unerwarteten Situationen besser im Griff.
- **Kleiden Sie sich richtig. Tragen Sie niemals lose sitzende Kleidung oder Schmuck. Halten Sie Haar, Kleidung und Handschuhe von beweglichen Teilen fern.** Lose sitzende Kleidung, Schmuck oder langes Haar kann von beweglichen Teilen erfasst werden.
- **Wenn Anschlüsse für Staubabsaug- und Staubsammelvorrichtungen vorhanden sind, sorgen Sie dafür, dass diese richtig angeschlossen und eingesetzt werden.** Die Verwendung von Staubsammelvorrichtungen kann staubbedingte Gefahren verringern.
- **Lassen Sie nicht zu, dass Sie wegen Vertrautheit durch häufige Verwendung der Werkzeuge selbstgefällig werden und die Sicherheitsgrundsätze der Werkzeuge ignorieren.** Eine achtlose Handlung

kann im Bruchteil einer Sekunde zu schweren Verletzungen führen.

- **Die Vibrationsemissionen während der tatsächlichen Verwendung des Elektrowerkzeugs können abhängig von der Verwendungsart des Werkzeugs vom angegebenen Gesamtwert abweichen.** Bediener sollten Sicherheitsmaßnahmen für den eigenen Schutz ergreifen, die auf einer Beurteilung der Exposition unter tatsächlichen Nutzungsbedingungen beruht. Dabei sind alle Teile des Betriebszyklus zu berücksichtigen, z. B. abgesehen vom Gashebelbetrieb, die Zeiten, wenn das Werkzeug ausgeschaltet ist und wenn es im Leerlauf betrieben wird.
- **Halten Sie stets Abstand zur Trennscheibe, wenn der Motor läuft.**

Verwendung und Pflege von Elektrowerkzeugen

- **Überbeanspruchen Sie Elektrowerkzeuge nicht. Benutzen Sie das richtige Elektrowerkzeug für Ihren Einsatzzweck.** Das richtige Elektrowerkzeug erledigt seine Arbeit bei bestimmungsgemäßem Einsatz besser und sicherer.
- **Benutzen Sie das Elektrowerkzeug nicht, wenn es sich nicht am Schalter ein- und ausschalten lässt.** Jedes Elektrowerkzeug, das nicht mit dem Schalter betätigt werden kann, stellt eine Gefahr dar und muss repariert werden.
- **Trennen Sie das Elektrowerkzeug von der Stromversorgung bzw. vom Akku, bevor Sie Einstellarbeiten vornehmen, Zubehörteile austauschen oder das Elektrowerkzeug verstauen.** Solche präventiven Sicherheitsmaßnahmen verhindern den unbeabsichtigten Start des Elektrowerkzeugs.
- **Lagern Sie nicht benutzte Elektrowerkzeuge außerhalb der Reichweite von Kindern, und lassen Sie nicht zu, dass Personen das Elektrowerkzeug bedienen, die nicht mit dem Werkzeug selbst und/oder diesen Anweisungen vertraut sind.** Elektrowerkzeuge stellen in ungeschulten Händen eine Gefahr dar.
- **Halten Sie Elektrowerkzeuge in Stand. Prüfen Sie auf Fehlausrichtungen, sicheren Halt und Leichtgängigkeit beweglicher Teile, Beschädigungen von Teilen sowie auf jegliche andere Zustände, die sich auf den Betrieb des Elektrowerkzeugs auswirken können. Bei Beschädigungen lassen Sie das Elektrowerkzeug reparieren, bevor Sie es benutzen.** Viele Unfälle mit Elektrowerkzeugen sind auf schlechte Wartung zurückzuführen.
- **Halten Sie Schneidwerkzeuge scharf und sauber.** Ordnungsgemäß gewartete Schneidwerkzeuge mit scharfen Schneidkanten bleiben seltener hängen und sind einfacher zu bedienen.
- **Benutzen Sie Elektrowerkzeuge, Zubehör, Werkzeugeinsätze und Ähnliches in Übereinstimmung mit diesen Anweisungen und auf die für das jeweilige Elektrowerkzeug**

bestimmungsgemäße Weise, und beachten Sie dabei die jeweiligen Arbeitsbedingungen und die Art der auszuführenden Arbeiten. Der Einsatz eines Elektrowerkzeugs für Zwecke, die von den hier angegebenen abweichen, kann zu Gefahrensituationen führen.

- **Halten Sie die Handgriffe und Griffflächen trocken, sauber und frei von Öl und Fett.** Wenn Handgriffe und Griffflächen rutschig sind, kann das Werkzeug in unerwarteten Situationen nicht sicher bedient und kontrolliert werden.
- **An der Bauweise des Geräts dürfen ohne vorherige Genehmigung des Herstellers keine Veränderungen vorgenommen werden.** Verwenden Sie stets Originalersatzteile. Unzulässige Änderungen und/oder Zubehör können zu schweren oder tödlichen Verletzungen des Benutzers oder anderer Personen führen.
- **Stellen Sie außerdem sicher, dass weder unter dem Arbeitsbereich noch im Schneidegut Versorgungsleitungen verlegt sind.**
- **Überprüfen und markieren Sie immer den Verlauf von Gasleitungen.** Schneiden in der Nähe von Gasleitungen bringt immer Gefahren mit sich. Stellen Sie sicher, dass beim Schneiden keine Funken fliegen, wenn Explosionsgefahr besteht. Bleiben Sie konzentriert und widmen Sie der Aufgabe Ihre ganze Aufmerksamkeit. Unachtsamkeit kann zu schweren Verletzungen bis hin zum Tod führen.

Verwendung und Pflege von akkubetriebenen Werkzeugen

- **Eine Aufladung darf nur mit dem vom Hersteller vorgeschriebenen Ladegerät durchgeführt werden.** Durch ein für einen bestimmten Akkutyp geeignetes Ladegerät kann Brandgefahr entstehen, wenn es für einen anderen Akku verwendet wird.
- **Verwenden Sie Elektrowerkzeuge nur mit speziell ausgezeichneten Akkus.** Die Verwendung anderer Akkus kann zu Verletzungs- und Brandgefahr führen.
- **Wird der Akku nicht verwendet, halten Sie ihn von Metallgegenständen wie Büroklammern, Münzen, Schlüsseln, Nägeln, Schrauben oder anderen kleineren Metallobjekten fern, da es zu einer Überbrückung der Kontakte kommen könnte.** Durch Kurzschluss der Akkuklemmen kann es zu Verbrennungen oder Bränden kommen.
- **Unter missbräuchlichen Bedingungen kann Flüssigkeit aus dem Akku austreten; vermeiden Sie Kontakt damit. Bei versehentlichem Hautkontakt sofort mit Wasser abspülen. Sollten Ihre Augen damit in Berührung gekommen sein, suchen Sie sofort ärztliche Hilfe auf.** Durch austretende Flüssigkeit aus dem Akku kann es zu Reizungen oder Verbrennungen kommen.
- **Verwenden Sie keinen Akku und kein Werkzeug, der bzw. das defekt ist oder modifiziert wurde.** Beschädigte oder modifizierte Akkus können ein unvorhersehbares Verhalten aufweisen, welches

zu Feuer, Explosionen oder Verletzungsgefahren führen kann.

- **Setzen Sie Akku oder Werkzeug niemals Feuer oder sehr hohen Temperatur aus.** Feuer oder Temperaturen über 130 °C/265 F können zu einer Explosion führen.
- **Befolgen Sie die Ladeanweisungen und laden Sie den Akku oder das Werkzeug niemals bei Temperaturen außerhalb den in der Anleitung angegebenen Temperaturbereichen auf.** Unsachgemäßes Aufladen oder Aufladen bei Temperaturen außerhalb des angegebenen Bereichs kann den Akku beschädigen und die Brandgefahr erhöhen.

Service

- **Lassen Sie das Elektrowerkzeug von einem qualifizierten Fachmann reparieren, und bestehen Sie darauf, dass nur Originalersatzteile verwendet werden.** Auf diese Weise wird dafür gesorgt, dass die Sicherheit des Elektrowerkzeugs nicht beeinträchtigt wird.
- **Warten Sie niemals beschädigte Akkus.** Akkus dürfen nur vom Hersteller oder von autorisierten Serviceanbietern gewartet werden.

Sicherheitswarnung Schneidmaschine

- **Der Schutz, der mit dem Werkzeug geliefert wird, muss sicher am Elektrowerkzeug befestigt und für maximale Sicherheit positioniert sein, damit nur ein Minimum der Scheibe in Richtung Bediener offen liegt. Positionieren Sie sich und umstehende Personen weg von der Ebene der sich drehenden Scheibe.** Die Schutzabdeckung schützt den Bediener vor abgebrochenen Stücken der Scheibe und vor unbeabsichtigtem Kontakt mit der Scheibe.
- **Verwenden Sie für Ihr Elektrowerkzeug nur gebundene verstärkte oder Diamant-Trennscheiben.** Nur, weil ein Zubehör an Ihrem Elektrowerkzeug angebracht werden kann, bedeutet es nicht, dass der Betrieb sicher ist.
- **Die Nenndrehzahl des Zubehörs muss mindestens der maximalen Drehzahl entsprechen, die auf dem Elektrowerkzeug angegeben ist.** Zubehör, das schneller läuft als die Nenndrehzahl, kann brechen und umher fliegen.
- **Scheiben dürfen nur für die empfohlenen Anwendungen verwendet werden. Beispiel: Schleifen Sie nicht mit der Seite der Trennscheibe.** Trennschleifscheiben sind für peripheres Schleifen gedacht; seitliche Kräfte auf diese Räder können verursachen, dass sie zersplintern.
- **Verwenden Sie grundsätzlich immer unbeschädigte Scheibenflansche des richtigen Durchmessers für die ausgewählte Scheibe.** Korrekte Scheibenflansche stützen die Scheibe ab und reduzieren die Wahrscheinlichkeit von Beschädigungen.
- **Verwenden Sie keine verschlissenen verstärkten Scheiben von größeren Elektrowerkzeugen.** Scheiben, die für größere Elektrowerkzeuge vorgesehen sind, eignen sich nicht für die höhere Drehzahl kleinerer Werkzeuge und können brechen.
- **Der äußere Durchmesser und die Stärke Ihres Zubehörs muss innerhalb der Tragfähigkeit Ihres Elektrowerkzeugs sein.** Nicht richtig dimensioniertes Zubehör kann nicht ordnungsgemäß geschützt oder gesteuert werden.
- **Die Wellengröße der Scheiben und Flansche muss ordnungsgemäß an die Spindel des Elektrowerkzeugs passen.** Scheiben und Flansche, deren Wellenlöcher nicht zum Befestigungsteil des Elektrowerkzeugs passen, geraten aus dem Gleichgewicht, vibrieren übermäßig und können zu Kontrollverlust führen.
- **Verwenden Sie keine beschädigten Scheiben. Überprüfen Sie Scheiben vor jedem Gebrauch auf Späne und Risse. Wenn das Elektrowerkzeug oder die Scheibe herunterfällt, müssen sie auf Schäden geprüft oder eine unbeschädigte Scheibe montiert werden. Nach dem Prüfen und der Montage der Scheibe positionieren Sie sich und umstehende Personen weg von der Fläche der rotierenden Scheibe und lassen Sie das Elektrowerkzeug bei maximaler Geschwindigkeit ohne Last eine Minute lang laufen.** Beschädigte Scheiben brechen dabei normalerweise auseinander.
- **Tragen Sie persönliche Schutzausrüstung. Verwenden Sie je nach Anwendung Gesichtsschutz, Sicherheitsbrille oder Schutzbrille. Tragen Sie gegebenenfalls eine Atemschutzmaske, Gehörschutz, Handschuhe und eine Arbeitsschürze, die kleineren Bruchstücke des Werkstücks standhalten kann.** Der Augenschutz muss in der Lage sein, umherfliegende Teile abzuhalten, die durch verschiedene Arbeiten verursacht werden. Die Staub- oder Atemschutzmaske muss in der Lage sein, durch Ihre Arbeit erzeugte Partikel herauszufiltern. Hochintensiver Lärm kann bei längerer Aussetzung zu Gehörschäden führen.
- **Halten Sie unbefugte Personen mit einem ausreichenden Sicherheitsabstand vom Arbeitsbereich fern. Jede Person, die in den Arbeitsbereich kommt, muss persönliche Schutzausrüstung tragen.** Bruchstücke vom Werkstück oder gebrochene Scheiben können umher fliegen und über den unmittelbaren Betriebsbereich hinaus zu Verletzungen führen.
- **Halten Sie das Gerät nur an isolierten Griffflächen, wenn Sie Arbeiten durchführen, bei denen die Trennscheibe mit versteckten Netzkabeln in Berührung kommen kann.** Schneidzubehör, das mit einer stromführenden Leitung in Berührung kommt, kann freiliegende Metallteile des Elektrowerkzeugs unter Strom setzen und dem Bediener einen Stromschlag versetzen.
- **Halten Sie das Kabel von rotierendem Zubehör fern.** Wenn Sie die Kontrolle verlieren, kann das Kabel durchgeschnitten oder geknickt werden, und

Ihre Hand oder Ihr Arm kann in die sich drehende Scheibe gezogen werden.

- **Das Elektrowerkzeug erst dann ablegen, wenn das Zubehör zu einem kompletten Stillstand gekommen ist.** Die sich drehende Scheibe kann an die Oberfläche gelangen und das Elektrowerkzeug aus Ihrer Kontrolle reißen.
- **Betreiben Sie das Elektrowerkzeug nicht, während Sie es an Ihrer Seite tragen.** Unbeabsichtigter Kontakt mit dem sich drehenden Zubehör kann dazu führen, dass es sich mit Ihrer Kleidung verhakt, wodurch das Zubehörteil in Ihren Körper gezogen wird.
- **Reinigen Sie regelmäßig die Lüftungsöffnungen des Elektrowerkzeugs.** Der Ventilator des Motors zieht Staub in das Gehäuse und eine übermäßige Ansammlung von pulverisiertem Metall kann zu elektrischen Gefahren führen.
- **Betreiben Sie das Elektrowerkzeug nicht in der Nähe von entflammaren Materialien.** Entstehende Funken könnten diese Materialien entzünden.

Rückschläge und Warnhinweise

- **Ein Rückschlag ist eine plötzliche Reaktion auf ein eingeklemmtes oder festgesetztes rotierendes Rad.** Einklemmen oder Abklemmen verursacht schnell, dass das rotierende Rad stehen bleibt, was wiederum bewirkt, dass das unkontrollierte Elektrowerkzeug am eingeklemmten Ort in die zur Drehrichtung entgegengesetzte Richtung gedrückt wird.
- **Wenn zum Beispiel eine Schleifscheibe vom Werkstück festgesetzt oder eingeklemmt ist, kann die Radkante, die in den Quetschpunkt eintritt, in die Oberfläche des Materials eindringen, wodurch das Rad heraussteigt oder zurückschlägt.** Das Rad kann entweder in Richtung oder vom Bediener weg springen, je nach Bewegungsrichtung des Rads zum Zeitpunkt des Einklemmens. Schleifscheiben können unter diesen Bedingungen auch brechen.
- **Ein Rückschlag ist das Ergebnis unsachgemäßer Anwendung des Hochleistungswerkzeugs und/oder falschem Betrieb. Dies lässt sich durch die nachfolgend aufgeführten Vorsichtsmaßnahmen vermeiden.**
- **Halten Sie das Elektrowerkzeug gut fest und positionieren Sie Ihren Körper und Arm so, dass Sie Rückschlägen standhalten können.** Verwenden Sie, falls vorhanden, grundsätzlich immer einen Zusatzhandgriff, für maximale Kontrolle über Rückschläge oder Drehmoment-Reaktionen beim Start. Der Bediener kann Drehmoment-Reaktionen oder Rückschläge kontrollieren, wenn geeignete Vorkehrungen getroffen werden.
- **Legen Sie niemals Ihre Hand in die Nähe des rotierenden Zubehörs.** Zubehör kann beim Rückschlag über Ihre Hand kommen.
- **Positionieren Sie Ihren Körper nicht in einer Linie mit dem sich drehenden Rad.** Ein Rückschlag bewegt

das Werkzeug entgegen der Bewegungsrichtung des Rads zum Zeitpunkt des Einklemmens.

- **Seien Sie besonders vorsichtig bei Arbeiten an Ecken, scharfen Kanten etc.** Verhindern Sie ruckartige Bewegungen und ein Einklemmen des Zubehörteils. Ecken, scharfe Kanten oder ruckartige Bewegungen führen tendenziell dazu, dass sich das rotierende Zubehör verhakt und verursachen Kontrollverlust und Rückschläge.
- **Befestigen Sie keine Sägekette, Holzschneideklinge und segmentiertes Diamant-Rad mit einer Peripherielücke größer als 10 mm oder gezahnte Sägeklinge.** Solche Klingen verursachen häufig Rückschläge und Kontrollverlust.
- **Verkanten Sie das Rad nicht und üben Sie keinen übermäßigen Druck aus.** Versuchen Sie nicht, eine übermäßige Schnitttiefe zu erreichen. Überbeanspruchung des Rads erhöht die Belastung und die Anfälligkeit für Verdrehen oder Einklemmen des Rads im Schnitt und die Gefahr von Rückschlägen oder Radbruch.
- **Wenn sich das Rad einklemmt oder wenn ein Schnitt aus irgendeinem Grund unterbrochen wird, schalten Sie das Elektrowerkzeug aus und halten Sie das Elektrowerkzeug still, bis das Rad zum Stillstand gekommen ist.** Ziehen Sie das Rad auf keinen Fall aus dem Schnitt, während es in Bewegung ist, sonst kann dies zu einem Rückschlag führen. Suchen Sie nach der Ursache für das Einklemmen des Rads und nehmen Sie entsprechende Maßnahmen vor, um es zu korrigieren.
- **Beginnen Sie den Schneidevorgang am Werkstück nicht neu.** Lassen Sie das Rad die volle Drehzahl erreichen und gehen Sie vorsichtig zurück in den Schnitt. Das Rad kann sich verklemmen, nach oben gehen oder zurückschlagen, wenn das Elektrowerkzeug im Werkstück neu gestartet wird.
- **Stützen Sie Platten oder überdimensionierte Werkstücke ab, um die Gefahr zu verringern, dass sich das Rad einklemmt und Rückschläge entstehen.** Große Werkstücke tendieren dazu, unter ihrem eigenen Gewicht abzusacken. Stützen müssen unter dem Werkstück in der Nähe der Schnittlinie und in der Nähe der Kante des Werkstückes auf beiden Seiten des Rads positioniert werden.
- **Besondere Vorsicht gilt bei Innenschnitten in Wänden oder anderen nicht einseharen Bereichen.** Die hervorstehende Scheibe kann Gas- oder Wasserleitungen, elektrische Leitungen oder andere Gegenstände, die einen Rückschlag verursachen könnten, trennen.

Allgemeine Sicherheitshinweise



WARNUNG: Lesen Sie die folgenden Warnhinweise, bevor Sie das Gerät benutzen.

- Ein unsachgemäß oder nachlässig eingesetzter Trennschleifer kann zu einem gefährlichen Gerät werden und zu schweren oder gar lebensgefährlichen Verletzungen führen. Es ist deshalb von größter Wichtigkeit, dass diese Bedienungsanweisung aufmerksam durchgelesen und verstanden wird. Außerdem wird vor der erstmaligen Benutzung des Geräts eine praktische Einweisung empfohlen.
- Nehmen Sie keine Modifikationen am Gerät vor. Änderungen am Gerät, die vom Hersteller nicht genehmigt wurden, können zu schweren Verletzungen oder zum Tod führen.
- Bedienen Sie das Gerät nicht, wenn die Möglichkeit besteht, dass andere Personen Modifikationen daran durchgeführt haben.
- Verwenden Sie immer Originalersatzteile und Originalzubehör. Zubehör und Ersatzteile, die vom Hersteller nicht genehmigt wurden, können zu schweren Verletzungen oder zum Tod führen.
- Halten Sie das Gerät sauber. Stellen Sie sicher, dass Symbole und Aufkleber deutlich lesbar sind.
- Lassen Sie niemals Kinder oder nicht ausgebildete Personen das Gerät bedienen.
- Untersagen Sie allen Personen die Benutzung des Geräts, bis diese den Inhalt der Betriebsanleitung gelesen und verstanden haben.
- Es dürfen nur zugelassene Personen mit dem Gerät arbeiten.
- Der Sicherheitsabstand für den Trennschleifer beträgt 15 m/50 ft. Stellen Sie sicher, dass sich keine Tiere und Umstehende im Arbeitsbereich aufhalten.
- Dieses Gerät erzeugt beim Betrieb ein elektromagnetisches Feld. Dieses Feld kann sich unter bestimmten Bedingungen auf die Funktionsweise aktiver oder passiver medizinischer Implantate auswirken. Um die Gefahr von Situationen, die zu schweren oder tödlichen Verletzungen führen können, zu verringern, sollten Personen mit einem medizinischen Implantat vor der Nutzung dieses Gerätes mit ihrem Arzt und dem Hersteller des Implantats sprechen.
- Die Informationen in dieser Bedienungsanleitung ersetzen auf keinen Fall professionelle Fähigkeiten und Erfahrungen. Wenn Sie in eine Situation geraten, in der Sie unsicher sind, sollten Sie einen Fachmann um Rat fragen. Den Servicehändler kontaktieren. Vermeiden Sie jede Arbeit, für die Sie nicht ausreichend qualifiziert sind!



WARNUNG: Ein beschädigter Akku kann eine Explosion verursachen und zu Verletzungen führen. Wenn der Akku deformiert oder beschädigt ist, wenden Sie sich an eine zugelassene Husqvarna Servicewerkstatt.

- Verwenden Sie nur die Husqvarna PACE Akkus, die wir für Ihr Gerät empfehlen. Die Akkus verfügen über eine Softwareverschlüsselung.
- Verwenden Sie mit diesem Gerät nur Originalakkus. Es besteht Explosionsgefahr, wenn die Akkus durch Akkus falschen Typs ersetzt werden. Ihr Händler steht Ihnen gern für weitere Informationen zur Verfügung.
- Verwenden Sie als Stromversorgung für die zugehörigen Husqvarna PACE Geräte nur wiederaufladbare Husqvarna Akkus. Um Verletzungen zu vermeiden, verwenden Sie den Akku nicht zur Energieversorgung anderer Geräte.
- Es besteht die Gefahr von elektrischen Schlägen. Verbinden Sie die Akkuklemmen nicht mit Schlüsseln, Schrauben oder anderen metallischen Gegenständen. Dadurch kann es zu einem Kurzschluss des Akkus kommen.
- Wenn aus dem Akku Flüssigkeit austritt, ist es wichtig, dass Sie den Kontakt dieser Flüssigkeit mit dem Körper, mit der Bekleidung und mit dem Gerät vermeiden. Sollten Sie dennoch mit der Flüssigkeit in Berührung gekommen sein, reinigen Sie den Bereich mit viel Wasser und suchen einen Arzt auf.
- Verwenden Sie in der Nähe von Akkus stets eine Schutzbrille. Sollte Batteriesäure in die Augen gelangen, reiben Sie nicht, sondern spülen Sie die Augen mindestens 15 Minuten lang mit Wasser. Suchen Sie einen Arzt auf.
- Benutzen Sie keine Akkus, die nicht wiederaufladbar sind.
- Nehmen Sie keine Modifikationen an den Akkus vor.
- Legen Sie keine Gegenstände in die Luftschlitze des Akkus.
- Halten Sie den Akku von direkter Sonneneinstrahlung, Hitze oder offenem Feuer fern. Der Akku kann explodieren und Verbrennungen und/oder chemische Verbrennungen verursachen.
- Halten Sie den Akku von Regen und Feuchtigkeit fern.
- Halten Sie den Akku von Mikrowellen und hohem Druck fern.
- Versuchen Sie nicht, den Akku zu zerlegen oder aufzubrechen.
- Der Akku darf nur verwendet werden, wenn die Umgebungstemperatur zwischen -5 °C / 23 °F und 40 °C / 104 °F liegt.
- Reinigen Sie weder den Akku noch das Ladegerät mit Wasser. Siehe *So reinigen Sie den Akku und das Ladegerät auf Seite 67.*

Sicherer Umgang mit Akkus



WARNUNG: Lesen Sie die folgenden Warnhinweise, bevor Sie das Gerät benutzen.

- Verwenden Sie keine fehlerhaften oder beschädigten Akkus.
- Lagern Sie Akkus getrennt von Metallgegenständen wie Nägeln, Schrauben oder Schmuck.
- Halten Sie den Akku fern von Kindern.
- Bringen Sie den Akku ordnungsgemäß an. Wenn der Akku nicht ordnungsgemäß befestigt ist, kann es zu einem Akkurzschluss kommen.

Sicherer Umgang mit dem Ladegerät



WARNUNG: Lesen Sie alle Warn- und Sicherheitshinweise. Wenn Sie die Warn- und Sicherheitshinweise nicht befolgen, kann dies zu Elektroschock, Brand und/oder schweren Verletzungen führen.

- Gefahr von elektrischen Schlägen oder Kurzschluss, wenn die Sicherheitshinweise nicht beachtet werden.
- Verwenden Sie nur das mitgelieferte Ladegerät für Ihr Gerät. Verwenden Sie nur die Akkuladegeräte von Husqvarna, 100-C900X oder 100-C1800X, zum Aufladen der PACE-Originalakkus von Husqvarna.
- Das Ladegerät nicht zerlegen.
- Verwenden Sie keine fehlerhaften oder beschädigten Ladegeräte.
- Heben Sie das Ladegerät nicht am Netzkabel an. Um das Ladegerät von der Steckdose zu trennen, ziehen Sie am Netzstecker. Ziehen Sie nicht am Netzkabel.
- Achten Sie darauf, dass keines der Kabel und Verlängerungskabel mit Wasser, Öl oder scharfen Kanten in Berührung kommt. Achten Sie darauf, dass Kabel nicht zwischen Türen, Zäunen o. Ä. eingeklemmt werden.
- Das Ladegerät darf nicht in der Nähe von entzündlichen Materialien oder Materialien, die Korrosion verursachen können, verwendet werden. Vergewissern Sie sich, dass das Akkuladegerät nicht abgedeckt ist. Bei Rauchentwicklung oder Feuer muss der Stecker des Ladegeräts sofort aus der Steckdose gezogen werden.
- Laden Sie den Akku nur in geschlossenen Räumen an einem Ort mit guter Luftzirkulation und ohne direkte Sonneneinstrahlung. Laden Sie den Akku nicht im Freien. Auf keinen Fall Akkus in feuchter Umgebung laden.
- Laden Sie den Akku nur auf, wenn die Umgebungstemperatur zwischen 5 °C / 41 °F und 40 °C / 104 °F liegt. Verwenden Sie das Ladegerät in einer trockenen und staubfreien Umgebung mit guter Belüftung.
- Legen Sie keine Gegenstände in die Luftschlitze des Akkuladegeräts.
- Verbinden Sie die Anschlüsse des Akkuladegeräts niemals mit Metallgegenständen. Dies kann zu einem Kurzschluss im Ladegerät führen.

- Laden Sie keine nicht wieder aufladbaren Batterien im Ladegerät (diese dürfen auch nicht in der Maschine verwendet werden).
- Nutzen Sie zugelassene Steckdosen, die nicht beschädigt sind.

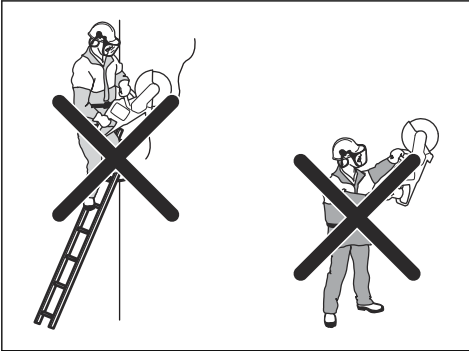
Sicherheitshinweise für den Betrieb



WARNUNG: Lesen Sie sämtliche Sicherheitshinweise und Anweisungen durch. Wenn Sie die Warn- und Sicherheitshinweise nicht befolgen, kann dies zu Elektroschock, Brand und/oder schweren Verletzungen führen.

- Schneiden Sie auf keinen Fall Asbest-Materialien.
- Stellen Sie beim Trockenschnitt sicher, dass der Staub sicher entfernt wird.
- Die Informationen in dieser Anleitung sind kein Ersatz für Fachwissen und Erfahrungen. Wenn Sie sich in einer Situation nicht sicher fühlen, schalten Sie das Gerät ab. Verwenden Sie das Produkt nicht in unbekanntem Situationen.
- Wenden Sie sich an ihren Servicehändler oder Husqvarna, wenn Sie Fragen zur Bedienung des Geräts haben. Wir können Ihnen Informationen dazu geben, wie Sie Ihr Gerät sicher und mit besten Resultaten bedienen.
- Verwenden Sie keine defekten Geräte, Akkus oder Ladegeräte.
- Berühren Sie keine rotierende Trennscheibe. Dies kann zu schweren Verletzungen oder zum Tod führen.
- Vermeiden Sie es, das Gerät bei schlechtem Wetter zu benutzen, beispielsweise bei dichtem Nebel oder Regen oder starkem Wind oder bei großer Kälte. Schlechtes Wetter führt zu zusätzlichen Risiken, z. B. Eis auf dem Boden.
- Starten Sie kein Produkt, bevor alle Abdeckungen und Schutzvorrichtungen ordnungsgemäß angebracht sind.
- Behalten Sie die Umgebung im Auge. Stellen Sie sicher, dass keine Gefahr besteht, dass Personen oder Tiere berührt werden oder Ihre Kontrolle über das Gerät beeinflussen.
- Erlauben Sie niemals Kindern, das Gerät zu benutzen oder sich in seiner Nähe aufzuhalten. Das Produkt lässt sich leicht starten. Dies kann zu schweren Verletzungen führen.
- Entfernen Sie den Akku, wenn Sie das Gerät nicht vollständig im Blick haben. Entfernen Sie den Akku, wenn Sie das Produkt über einen längeren Zeitraum nicht verwenden.
- Sie müssen sicher auf Ihren Füßen stehen, um das Gerät voll unter Kontrolle zu haben. Verwenden Sie das Gerät nicht, wenn Sie sich auf einer Leiter befinden. Verwenden Sie das Gerät nicht, wenn Sie nicht auf stabilem Untergrund stehen.

- Verwenden Sie das Gerät nicht über Schulterhöhe.



- Wenn Sie nicht aufpassen, erhöht sich die Rückschlaggefahr.



- Arbeiten Sie nicht einhändig mit dem Gerät. Dieses Gerät lässt sich mit nur einer Hand nicht sicher bedienen.
- Verwenden Sie das Gerät nicht in einer Situation, in der Sie im Falle eines Unfalls keine Hilfe bekommen können.
- Vergewissern Sie sich, dass Sie sich sicher bewegen können. Untersuchen Sie die Bedingungen und das Gelände auf eventuelle Hindernisse.
- Personen mit Blutkreislaufstörungen, die zu oft Vibrationen ausgesetzt werden, laufen Gefahr, Schäden an den Blutgefäßen oder am Nervensystem davonzutragen. Gehen Sie zum Arzt, wenn Sie an Ihrem Körper Symptome feststellen, die darauf hinweisen, dass Sie übermäßigen Vibrationen ausgesetzt waren. Beispiele für solche Symptome sind: Einschlafen von Körperteilen, Gefühlsverlust, Jucken, Stechen, Schmerzen, Verlust oder Beeinträchtigung der normalen Körperkraft, Veränderungen der Hautfarbe oder der Haut. Diese Symptome treten üblicherweise in Fingern, Händen und Handgelenken auf. Bei niedrigen Temperaturen können sich diese Symptome verstärken.

- Es ist nicht möglich, jede mögliche Situation zu berücksichtigen, mit der Sie konfrontiert sein können, wenn Sie das Gerät verwenden. Lassen Sie immer Vorsicht walten und arbeiten Sie mit gesundem Menschenverstand.

- **Hinweis:** Nach dem Betrieb des Geräts sollten die Gehörschützer direkt nach Beendigung des Sägevorgangs hochgeklappt werden, damit Geräusche und Warnsignale wahrgenommen werden können.

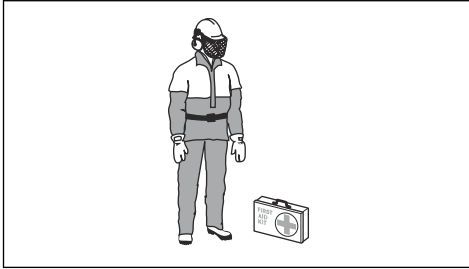
Persönliche Schutzausrüstung



WARNUNG: Lesen Sie die folgenden Warnhinweise, bevor Sie das Gerät verwenden.

- Tragen Sie während des Betriebs immer eine zugelassene persönliche Schutzausrüstung. Die persönliche Schutzausrüstung beseitigt nicht die Unfallgefahr, begrenzt aber den Umfang der Verletzungen und Schäden. Lassen Sie sich bei der Wahl der Schutzausrüstung von einem Fachhändler beraten.
- Verwenden Sie einen zugelassenen Schutzhelm.
- Tragen Sie einen zugelassenen Gehörschutz. Eine längerfristige Beschallung mit Lärm kann zu bleibenden Gehörschäden führen. Achten Sie immer genau auf Warnsignale oder Rufe, wenn Sie den Gehörschutz tragen. Nehmen Sie den Gehörschutz immer ab, sobald der Motor abgestellt ist.
- Verwenden Sie einen zugelassenen Augenschutz, um das Verletzungsrisiko durch umherfliegende Gegenstände zu verringern. Bei der Benutzung eines Gesichtsschutzes ist auch eine zugelassene Schutzbrille zu tragen. Zugelassene Schutzbrillen sind in diesem Falle diejenigen, die die Normen ANSI Z87.1 für die USA bzw. EN 166 für EU-Länder erfüllen. Visiere müssen der Norm EN 1731 entsprechen.
- Tragen Sie Sicherheitshandschuhe.
- Tragen Sie einen zugelassenen Atemschutz. Die Verwendung von Fräsmaschinen, Schleifmaschinen und Bohrern, die Material abschleifen oder umformen, kann Staub und Ausdünstungen verursachen, die gefährliche Chemikalien enthalten können. Überprüfen Sie die Beschaffenheit des Materials, das Sie bearbeiten wollen, und tragen Sie einen geeigneten Atemschutz.
- Tragen Sie eng anliegende, strapazierfähige und bequeme Kleidung, die volle Bewegungsfreiheit gewährt. Durch Schneiden werden Funken erzeugt, die Ihre Kleidung entzünden können. Husqvarna empfiehlt das Tragen von feuerfester Baumwolle oder schwerem Jeansstoff. Tragen Sie keine Kleidung aus Materialien wie Nylon, Polyester oder Viskose. Im Falle einer Entzündung kann dieses Material schmelzen und an der Haut kleben bleiben. Tragen Sie keine kurzen Hosen.

- Tragen Sie Stiefel mit Stahlkappe und rutschfester Sohle.
- Ein Erste-Hilfe-Set sollte immer griffbereit sein.



- Durch die Trennscheibe kann es zu Funkenbildung kommen. Es sollte immer ein Feuerlöscher vorhanden sein.

Sicherheitsvorrichtungen am Gerät

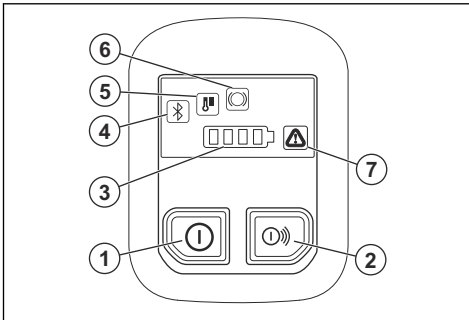


WARNUNG: Lesen Sie die folgenden Warnhinweise, bevor Sie das Gerät benutzen.

- Benutzen Sie kein Gerät mit defekten Sicherheitsvorrichtungen.
- Führen Sie regelmäßig eine Überprüfung der Sicherheitsvorrichtungen durch. Wenn die Sicherheitsvorrichtungen defekt sind, wenden Sie sich an Ihre autorisierte Husqvarna-Servicewerkstatt.
- Nehmen Sie keine Modifizierungen der Sicherheitsvorrichtungen vor.
- Verwenden Sie das Gerät nicht, wenn Schutzbleche, Schutzabdeckungen, Sicherheitsschalter oder andere Schutzvorrichtungen nicht angebracht oder defekt sind.

Funktionen der Benutzeroberfläche

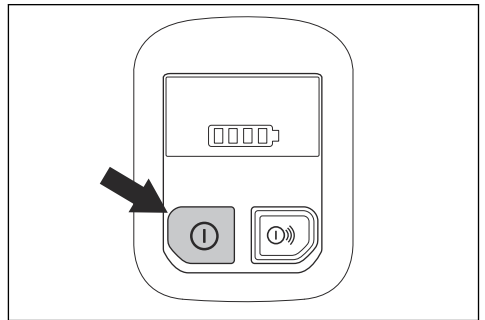
In dieser Bedienungsanleitung sind die Beschreibungen der Funktionen der Bedientafel für das Gerät enthalten. Die Bedientafel steuert wichtige Funktionen und Einstellungen des Geräts. Siehe *Fehlerbehebung des Geräts auf Seite 68*, um Lösungen für die Warnungen zu finden.



1. ON/OFF-Taste.
2. ON/OFF-Taste für Zubehör (nicht verwendet).
3. Akkustatusanzeige.
4. Bluetooth®. Siehe *Bluetooth® Drahtlostechnologie auf Seite 60*.
5. Temperaturwarnanzeige, hoch oder niedrig. Siehe *Fehlerbehebung des Geräts auf Seite 68*.
6. X-Halt Warnung. Siehe *Fehlerbehebung des Geräts auf Seite 68*.
7. Fehler-/Warnanzeige. Siehe *Fehlerbehebung des Geräts auf Seite 68*.

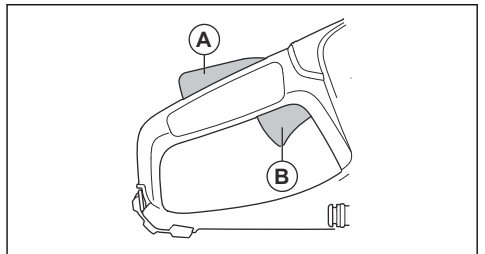
So kontrollieren Sie die Bedientafel

1. Halten Sie die On/Off-Taste gedrückt, bis die LED aufleuchtet. Siehe *So starten Sie das Gerät auf Seite 64*.
2. Halten Sie die On/Off-Taste gedrückt, bis die LED erlischt.



Gashebelsperre

Die Gashebelsperre verhindert ein versehentliches Auslösen des Gashebels. Wenn Sie mit Ihrer Hand um den Griff fassen und die Gashebelsperre (A) betätigen, wird der Gashebel (B) freigegeben. Wenn Sie den Handgriff loslassen, werden Gashebel und Gashebelsperre wieder in ihre Ausgangsstellung zurückgestellt.



Die automatische Stoppfunktion

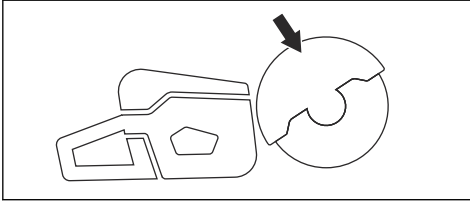
Das Gerät verfügt über eine automatische Stoppfunktion, die das Gerät stoppt, wenn Sie es drei Minuten lang nicht verwendet haben.

Klingenschutz



WARNUNG: Stellen Sie vor dem Start des Geräts sicher, dass der Scheibenschutz korrekt befestigt ist. Verwenden Sie das Gerät nicht, wenn der Scheibenschutz fehlt, defekt ist oder Risse aufweist.

Der Scheibenschutz wird über der Trennscheibe installiert. Der Scheibenschutz verhindert Verletzungen, wenn Teile der Trennscheibe oder Teile des geschnittenen Materials in Richtung des Bedieners geworfen werden.



Prüfen von Trennscheibe und Scheibenschutz

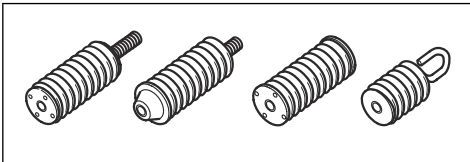


WARNUNG: Eine beschädigte Trennscheibe kann Verletzungen verursachen.

1. Kontrollieren Sie, ob die Trennscheibe korrekt angebracht ist und keine Schäden aufweist.
2. Stellen Sie sicher, dass der Scheibenschutz keine Schäden oder Risse aufweist.
3. Ersetzen Sie den Scheibenschutz bei Beschädigung.

Antivibrationssystem

Das Gerät ist mit einem Antivibrationssystem ausgerüstet, das Vibrationen wirkungsvoll dämpft und so für angenehmere Arbeitsbedingungen sorgt. Das Antivibrationssystem reduziert die Übertragung von Vibrationen zwischen Motoreinheit/Schneidausrüstung und der Handgriffeinheit des Geräts.



So prüfen Sie das Antivibrationssystem



WARNUNG: Stellen Sie sicher, dass der Motor ausgeschaltet und der Akku getrennt ist.

1. Kontrollieren Sie, dass die Antivibrationseinheiten keine Risse oder Deformationen aufweisen. Ersetzen Sie die Antivibrationseinheiten, wenn sie beschädigt sind.
2. Kontrollieren Sie, ob die Antivibrationseinheiten zwischen Motoreinheit und Handgriffeinheit korrekt verankert sind.

Schutz vor Vibrationen



WARNUNG: Lesen Sie die folgenden Warnhinweise, bevor Sie das Gerät benutzen.

- Beim Betrieb des Geräts kommt es zu Vibrationen, die vom Gerät auf den Anwender übertragen werden. Regelmäßiger und häufiger Betrieb des Geräts kann zu Verletzungen des Anwenders führen oder Symptome verstärken. Es kann zu Verletzungen an Fingern, Händen, Handgelenken, Armen, Schultern und/oder Nerven sowie bei der Blutversorgung oder an anderen Körperteilen kommen. Die Verletzungen können hinderlich und/oder chronisch werden und sich allmählich über Wochen, Monate oder Jahre hinweg verstärken. Zu möglichen Verletzungen können Schäden am Blutkreislauf, am Nervensystem, an Gelenken und anderen Körperteilen gehören.
- Symptome können während des Betriebs des Geräts oder zu einem anderen Zeitpunkt auftreten. Wenn Sie bereits Symptome haben und das Gerät weiter bedienen, können sich die Symptome verstärken oder chronisch werden. Wenn Sie diese oder andere Symptome an sich bemerken, wenden Sie sich an einen Arzt:
 - Taubheit, Gefühlsverlust, Kribbeln, Stechen, Schmerz, Brennen, Pochen, Steifheit, Schwerfälligkeit, Verlust von Kraft, Veränderungen an Hautfarbe oder Hautzustand.
- Bei niedrigen Temperaturen können sich die Symptome verstärken. Tragen Sie warme Kleidung, und halten Sie Ihre Hände warm und trocken, wenn Sie das Gerät in kalten Umgebungen betreiben.
- Warten und betreiben Sie das Gerät gemäß den Anweisungen der Bedienungsanleitung, um einen vorschrittmäßigen Vibrationspegel sicherzustellen.
- Das Gerät verfügt über ein Antivibrationssystem, das die Vibrationen an den Griffen für den Bediener reduziert. Lassen Sie das Gerät die Arbeit verrichten. Drücken Sie das Gerät nicht mit Kraft. Halten Sie das Produkt leicht an den Griffen fest, aber stellen Sie sicher, dass Sie es kontrollieren und sicher bedienen. Drücken Sie das Gerät nicht häufiger als nötig in die Endanschläge.
- Platzieren Sie Ihre Hände nur auf den Griffen. Halten Sie alle anderen Körperteile vom Gerät fern.
- Stoppen Sie das Gerät sofort, wenn plötzlich starke Vibrationen auftreten. Setzen Sie den Betrieb erst fort, wenn die Ursache für die gesteigerten Vibrationen beseitigt wurde.

- Das Schneiden von Granit oder hartem Beton verursacht mehr Vibrationen im Gerät als das Schneiden von weichem Beton. Trennscheiben, die stumpf, defekt, von falschem Typ oder falsch geschärft sind, erhöhen den Vibrationspegel.

Sicherheitshinweise für die Wartung



WARNUNG: Lesen Sie die folgenden Warnhinweise, bevor Sie das Gerät warten.

- Entfernen Sie vor Wartungs-, Kontroll- oder Montagearbeiten den Akku.
- Der Bediener darf nur die Wartungs- und Servicearbeiten ausführen, die in dieser Bedienungsanleitung beschrieben sind. Für darüber hinausgehende Wartungs- und Servicearbeiten wenden Sie sich bitte an Ihren Servicehändler.
- Reinigen Sie weder den Akku noch das Ladegerät mit Wasser. Starke Reiniger können den Kunststoff beschädigen.
- Wenn Wartungsarbeiten nicht durchgeführt werden, verringert sich die Lebensdauer des Geräts und die Unfallgefahr steigt.
- Für alle Service- und Reparaturarbeiten, insbesondere an den Sicherheitsvorrichtungen des Geräts, ist eine spezielle Schulung erforderlich. Wenn nach Durchführung der Wartungsarbeiten nicht alle in dieser Bedienungsanleitung beschriebenen Prüfungen mit positivem Ergebnis ausfallen, wenden Sie sich an Ihren Servicehändler. Wir garantieren Ihnen, dass für Ihr Gerät

professionelle Service- und Reparaturdienste verfügbar sind.

- Nur Original-Ersatzteile verwenden.

Bluetooth®



ACHTUNG: Änderungen oder Modifikationen des Geräts, die ohne ausdrückliche Genehmigung von Husqvarna ausgeführt werden, können die FCC-Genehmigung zum Betrieb des Geräts aufheben.

Hinweis: Dieses Gerät entspricht Teil 15 der FCC-Vorschriften sowie dem lizenzfreien RSS-Standard von Industry Canada. Der Betrieb unterliegt den beiden folgenden Bedingungen:

- Dieses Gerät darf keine schädigenden Störungen verursachen
- Dieses Gerät muss alle empfangenen Störungen annehmen, einschließlich solcher Störungen, die zu einem unerwünschten Betrieb führen.

Le présent appareil est conforme aux CNR d'Industrie Canada applicables aux appareils radio exempts de licence. L'exploitation est autorisée aux deux conditions suivantes:

- l'appareil ne doit pas produire de brouillage, et
- l'appareil doit accepter tout brouillage radioélectrique subi, même si le brouillage est susceptible d'en compromettre le fonctionnement.

Montage

Trennscheiben



WARNUNG: Tragen Sie bei der Montage des Geräts immer Schutzhandschuhe.



WARNUNG: Trennscheiben können brechen und Verletzungen des Bedieners verursachen.



WARNUNG: Untersuchen Sie die Trennscheibe vor dem Gebrauch und unmittelbar nach dem Auftreffen auf einen unbeabsichtigten Gegenstand auf Risse, Verformung oder Unwucht. Verwenden Sie keine schadhafte Trennscheibe. Nach dem Prüfen und Installieren der Trennscheibe positionieren Sie sich und umstehende Personen weg von der Fläche der rotierenden Trennscheibe, und lassen Sie das Motorwerkzeug bei maximaler

Geschwindigkeit ohne Last eine Minute lang laufen.



WARNUNG: Der Hersteller der Diamantscheibe gibt Warnhinweise und Empfehlungen für den Betrieb und die korrekte Wartung der Trennscheibe. Diese Warnhinweise werden mit der Trennscheibe bereitgestellt. Lesen und befolgen Sie die Anweisungen, die im Lieferumfang der Trennscheibe enthalten sind.

Von der Trennscheibe ausgehende Vibrationen



ACHTUNG: Wenn Sie das Gerät mit zu viel Kraft verwenden, kann die Trennscheibe zu heiß werden, sich biegen und Vibrationen herbeiführen. Verwenden Sie das Gerät mit weniger Kraft. Wenn die Vibrationen weiterhin bestehen, ersetzen Sie die Trennscheibe.

Verwendbare Trennscheiben



ACHTUNG: Verwenden Sie die von Husqvarna empfohlene Trennscheiben für K1 PACE und das zu schneidende Material. Die empfohlenen Trennscheiben verringern das Risiko schwerer Verletzungen und erhöhen die Schneid- und X-Halt-Leistung. Wenn allgemeine Hochgeschwindigkeits-Trennscheiben verwendet werden, verringern sich Leistung und Schneidqualität.



WARNUNG: Verwenden Sie für Beton und Metall nur Diamantscheiben und Schleifscheiben. Verwenden Sie keine Trennscheiben mit Einschnitten wie z. B. kreisförmige Holztrennscheiben oder Trennscheiben mit Karbidspitzen. Die Rückschlaggefahr ist erhöht, und Karbidspitzen können sich lösen und mit hoher Geschwindigkeit weggeschleudert werden. Dies kann zu Verletzungen oder zum Tod führen.



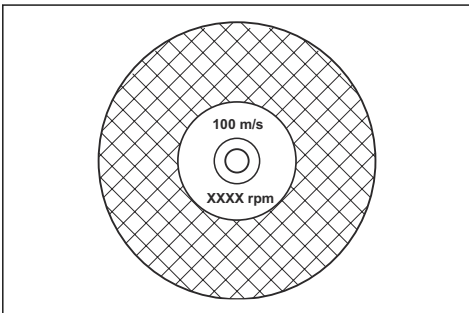
WARNUNG: Trennscheiben sind ausschließlich für das vorgesehene Material zu verwenden.



WARNUNG: Verwenden Sie nur Trennscheiben, die in Übereinstimmung mit den nationalen oder regionalen Normen sind, z. B. EN12413, ANSI B7.1. oder EN13236.



WARNUNG: Verwenden Sie keine Trennscheibe, deren Nenndrehzahl unter der des Geräts liegt. Die Nenndrehzahl der Trennscheibe ist auf der Trennscheibe, die des Geräts auf dem Typenschild angegeben.

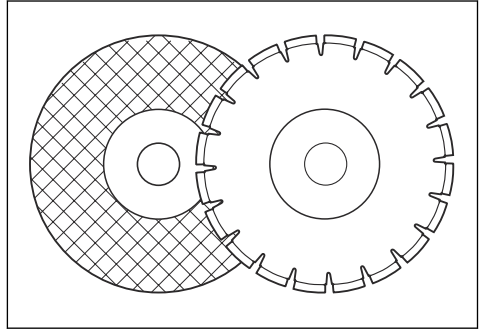


Hinweis: Viele Trennscheiben, die an diesem Gerät befestigt werden können, sind für stationäre Sägen vorgesehen. Die Nenndrehzahl dieser Trennscheiben ist zu gering für dieses Gerät.



WARNUNG: Verwenden Sie keine Trennscheiben, die die empfohlene Scheibendicke überschreiten. Siehe *Technische Daten auf Seite 72*.

- Trennscheiben für dieses Gerät gibt es in zwei Grundmodellen: gebundene Schleifscheiben und Diamantscheiben.



- Stellen Sie sicher, dass die Trennscheibe das richtige Lochmaß für die installierte Dornbuchse hat.

Schleifscheiben



WARNUNG: Schleifscheiben dürfen nicht mit Wasser in Berührung kommen. Wasser oder Feuchtigkeit verringern die Belastbarkeit der Schleifscheibe und erhöhen die Gefahr, dass die Trennscheibe bricht.



ACHTUNG: Das Sauganbaugerät darf nicht mit der Schleifscheibe verwendet werden. Der Gebrauch von Schleifscheiben führt zu übermäßigem Verschleiß des Sauganbaugeräts.



WARNUNG: Verwenden Sie die für das Material passende Schleifscheibe.

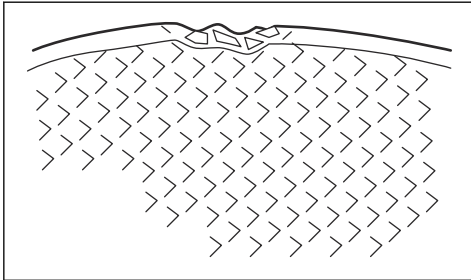
- Verwenden Sie keine Scheiben von größeren Elektrowerkzeugen. Scheiben, die für größere Elektrowerkzeuge vorgesehen sind, eignen sich nicht für die höhere Drehzahl kleinerer Werkzeuge und können brechen.
- Das Schneidmaterial abrasiver Trennscheiben ist mit Naturmaterial verklebt, bei denen ein Kies-

Bindemittel verwendet wird. Trennscheiben, die aus einem Gewebe oder einer Faser bestehen, sind stärker. Dieser Trennscheibentyp bricht nicht, wenn die Trennscheibe Risse bekommt oder während des Betriebs beschädigt wird.

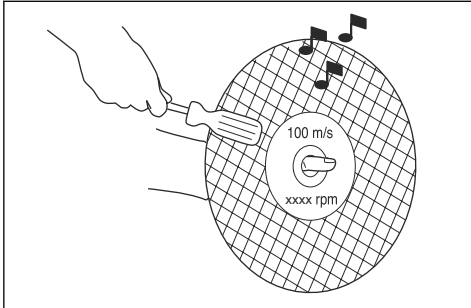
- Die Leistung einer Trennscheibe ergibt sich aus der Größe des Schleifkorns sowie der Art und Härte des Bindemittels.

Überprüfung einer gebundenen Schleifscheibe

- Stellen Sie sicher, dass die Trennscheibe keine Risse oder anderen Schäden aufweist.



- Hängen Sie die Trennscheibe an Ihren Finger, und schlagen Sie mit einem Schraubenzieher leicht auf die Trennscheibe. Wenn Sie kein klares Geräusch hören, ist die Trennscheibe beschädigt.



Diamantscheiben

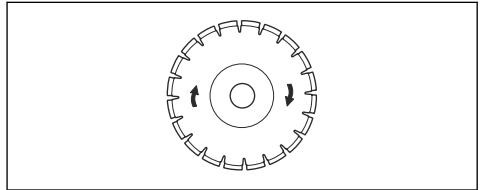


WARNUNG: Während der Verwendung können Diamantscheiben sehr heiß werden. Eine zu heiße Diamantscheibe führt zu schlechter Leistung sowie Beschädigung der Scheibe und ist ein Sicherheitsrisiko.



WARNUNG: Verwenden Sie keine Diamantscheibe zum Schneiden von Kunststoff. Die heiße Diamantscheibe kann den Kunststoff zum Schmelzen bringen, was zu einem Rückschlag führen kann.

- Diamantscheiben haben einen Stahlkern mit Segmenten aus Industriediamanten.
- Diamantscheiben werden für alle Arten von Mauerwerk, armierten Beton und Stein verwendet.
- Vergewissern Sie sich, dass die Diamantscheibe in Richtung der Pfeile dreht, die auf dieser abgebildet sind.



- Immer eine scharfe Diamantscheibe benutzen.
- Diamantscheiben können stumpf werden, wenn Sie einen falschen Vorschubdruck anwenden oder Materialien wie Beton mit Bewehrungen schneiden. Wenn Sie eine stumpfe Diamantscheibe verwenden, kann diese heiß laufen, bis sich Diamantsegmente ablösen.

Trennscheibe schärfen

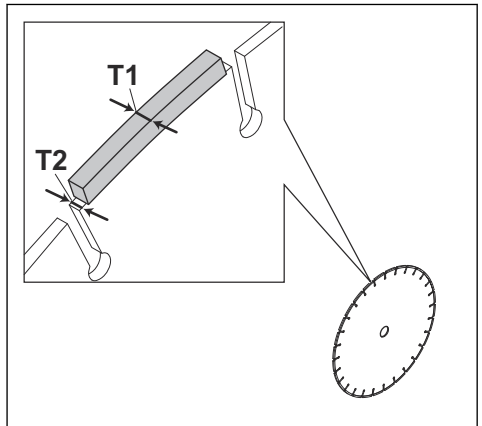
Hinweis: Die besten Schnittergebnisse erzielen Sie, wenn Sie eine scharfe Trennscheibe verwenden.

- Schleifen Sie die Trennscheibe durch Schneiden in weiches Material wie Sand- oder Ziegelstein.

Diamantklinge – Anforderungen

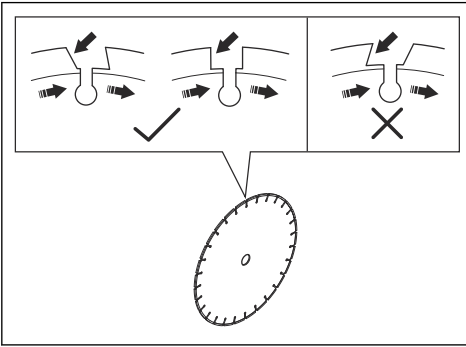


WARNUNG: Stellen Sie sicher, dass das Diamantsegment (T1) breiter ist als die Scheibe (T2). Dadurch wird ein Einklemmen am Schnittplatz und ein Rückschlag verhindert.

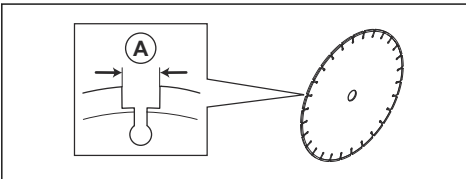




WARNUNG: Verwenden Sie keine Diamantklingen mit positivem Spanwinkel.



WARNUNG: Verwenden Sie nur Diamantklingen mit einem maximalen Abstand zwischen den Segmenten von 10 mm (A).



WARNUNG: Verwenden Sie nur Diamantklingen mit der empfohlenen Maximalklingenstärke, siehe *Technische Daten auf Seite 72*.



WARNUNG: In manchen Situationen und bei schlechten Trennscheiben kann es zu übermäßigem Verschleiß der Segmente kommen. Ersetzen Sie die Trennscheibe, bevor sie verschlissen ist.

Diamantscheiben für den Nassschnitt



WARNUNG: Verwenden Sie stets einen Trennscheibenflansch mit den Abmessungen, die für die jeweilige Scheibengröße festgelegt sind. Verwenden Sie keine beschädigten Trennscheibenflansche.

Während des Betriebs wird die Diamantscheibe durch Reibung sehr heiß. Ist die Diamantscheibe zu heiß geworden, sinkt die Klingenspannung oder der Kern bricht.

Lassen Sie die Diamantscheibe abkühlen, bevor Sie diese berühren.

- Diamantscheiben für Nassschnitte müssen mit Wasser eingesetzt werden, um deren Kern und die Segmente beim Schneiden kühl zu halten. Diamantscheiben für Nassschnitte dürfen nicht trocken eingesetzt werden.
- Wenn Sie Diamantscheiben zum Nassschneiden ohne Wasser verwenden, können diese zu heiß werden. Das verschlechtert die Leistung, schädigt die Trennscheibe und stellt ein Sicherheitsrisiko dar.

Diamantklingen für den Trockenschnitt

- Bei Diamantscheiben für das trockene Trennschleifen ist ein ausreichender Luftstrom um die Trennscheibe erforderlich, um die Temperatur zu senken. Aus diesem Grund werden Diamantscheiben für das trockene Trennschleifen nur für den intermittierenden Betrieb empfohlen. Nach einigen Sekunden Betrieb muss die Diamantscheibe frei (also vom Schnitt entfernt) drehen. Dadurch kann der Luftstrom um die Scheibe die Temperatur der Diamantscheibe senken.

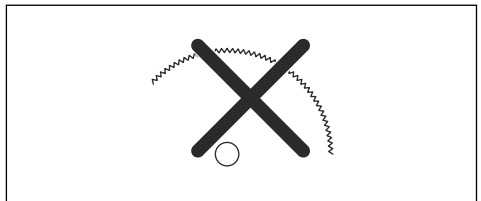
Gezahnte Trennscheiben



WARNUNG: Verwenden Sie niemals gezahnte Trennscheiben wie Holztrennscheiben, gezahnte Kreistrennscheiben, Hartmetalltrennscheiben oder ähnliches. Die Rückschlaggefahr ist dabei erheblich höher. Außerdem können dabei Bruchstücke mit hoher Geschwindigkeit auf den Bediener geschleudert werden. Unachtsamkeit kann zu schweren Verletzungen bis hin zum Tod führen.



WARNUNG: Nach den staatlichen Bestimmungen ist für Trennscheiben mit Karbidspitzen eine andere Art von Schutz erforderlich, der für Trennschleifer nicht verfügbar ist – ein 360-Grad-Schutz. Für Trennschleifer (dieses Gerät) werden Diamantscheiben verwendet. Sie verfügen über ein anderes Schutzsystem, das keinen Schutz gegen die Gefahren von Holztrennscheiben bietet.



Die Verwendung dieses Trennschleifers mit einer Hartmetalltrennscheibe verstößt gegen die während der Arbeit geltenden Sicherheitsvorschriften.

Aufgrund der Gefährlichkeit und Dringlichkeit von Brandbekämpfungs- und Rettungseinsätzen, die von vielen verschiedenen, hochqualifizierten Rettungskräften (Feuerwehr) durchgeführt werden, ist Husqvarna sich darüber bewusst, dass dieser Trennschleifer in bestimmten Notsituationen von Rettungskräften mit Trennscheiben mit Karbidspitzen eingesetzt wird, da diese Trennscheiben viele verschiedene Materialien schneiden können und dadurch das zeitaufwändige Wechseln der Trennscheiben oder Maschinen entfällt. Bei der Verwendung dieses Trennschleifers ist stets zu beachten, dass die Rückschlaggefahr bei Scheiben mit Karbidspitze bei unsachgemäßer Verwendung größer ist als bei Diamantscheiben. Bei Trennscheiben mit Karbidspitzen besteht ferner die Gefahr von umherfliegenden Materialteilen.

Daher sollte ein Trennschleifer niemals mit einer Trennscheibe mit Karbidspitzen verwendet werden, außer von hochqualifizierten Rettungskräften, die sich der Gefahren der Verwendung bewusst sind, und nur in dringenden Situationen, wenn andere Werkzeuge für Brandbekämpfungs- oder Rettungseinsätze als ineffizient und wirkungslos erachtet werden. Ein Trennschleifer mit einer Trennscheibe mit Karbidspitzen darf niemals außerhalb von Rettungseinsätzen zum Schneiden von Holz eingesetzt werden.

So prüfen Sie Spindelwelle und Flanschscheiben



WARNUNG: Verwenden Sie ausschließlich Husqvarna-Flanschscheiben. Der Mindestdurchmesser für Schleifscheiben beträgt 105 mm/4,1 Zoll und für Diamanttrennscheiben 60 mm/2,36 Zoll.



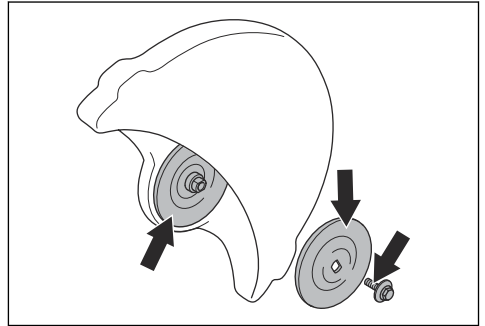
WARNUNG: Die kleinen Flanschscheiben mit einem Diamanttrennscheiben-Symbol dürfen nur mit Diamanttrennscheiben verwendet werden. Falsche Flanschscheiben auf gebundenen Schleifscheiben erhöhen das Risiko von Scheibendefekten und Verletzungen.



WARNUNG: Verwenden Sie keine schmutzigen, verschlissenen oder beschädigten Flanschscheiben. Verwenden Sie nur Flanschscheiben mit der gleichen Abmessung. Eine falsche Flanschscheibe kann dazu führen, dass die Trennscheibe beschädigt wird oder sich löst.

Prüfen Sie die Spindelwelle und die Flanschscheiben, wenn die Trennscheibe ersetzt wird.

1. Stellen Sie sicher, dass die Gewinde der Spindelwelle nicht beschädigt sind. Ersetzen Sie die beschädigten Teile.



2. Stellen Sie sicher, dass die Kontaktflächen an der Trennscheibe und den Flanschscheiben nicht beschädigt sind. Ersetzen Sie die beschädigten Teile.
3. Vergewissern Sie sich, dass die Flanschscheiben sauber sind und die richtige Abmessung aufweisen.
4. Vergewissern Sie sich, dass die Flanschscheiben frei auf der Spindelwelle laufen.

So installieren Sie die Trennscheibe

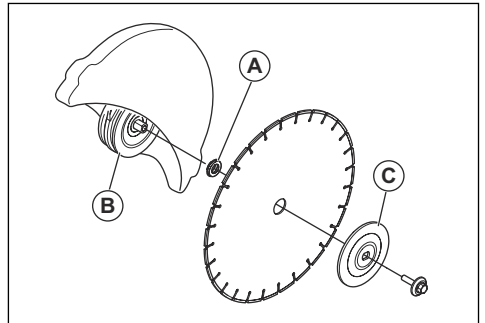


WARNUNG: Stellen Sie sicher, dass der Motor ausgeschaltet und der Akku getrennt ist.

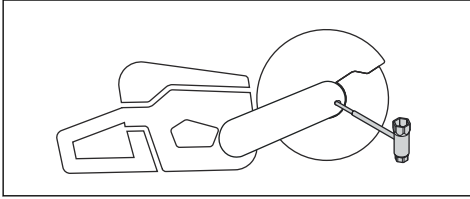


WARNUNG: Tragen Sie bei der Montage des Geräts immer Schutzhandschuhe.

1. Prüfen Sie die Flanschscheiben und die Spindelwelle. Siehe *So prüfen Sie Spindelwelle und Flanschscheiben auf Seite 55*.
2. Montieren Sie die Trennscheibe an der Trennscheibenbuchse (A) zwischen der inneren Flanschscheibe (B) und der Flanschscheibe (C). Drehen Sie die Flanschscheibe, bis sie fest auf der Welle sitzt.

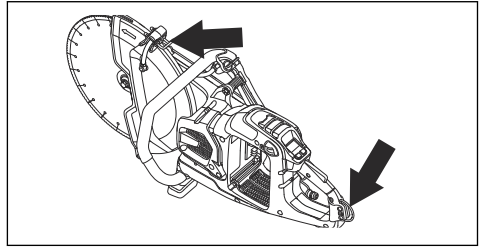


3. Führen Sie ein Werkzeug in die Öffnung des Riemenschutzes ein, und drehen Sie die Trennscheibe, bis die Welle verriegelt ist.



4. Ziehen Sie die Schraube der Trennscheibe mit 30 Nm/18,5 ft-lb fest.

ein Herunterfallen zu verhindern. Wenn das Gerät herunterfällt, kann es zu schweren Verletzungen oder zu Schäden am Gerät kommen.



Gurtöse (K1 PACE Rescue)

Das Gerät verfügt über 2 Gurtösen. Die Ösen dienen zur Befestigung des Schultergurts.

Die Gurtöse kann verwendet werden, um das Gerät an einem festen Gegenstand zu befestigen und so

Betrieb

Einleitung



WARNUNG: Lesen Sie vor Gebrauch des Geräts das Kapitel über Sicherheit, und machen Sie sich damit vertraut.

Rückschlag



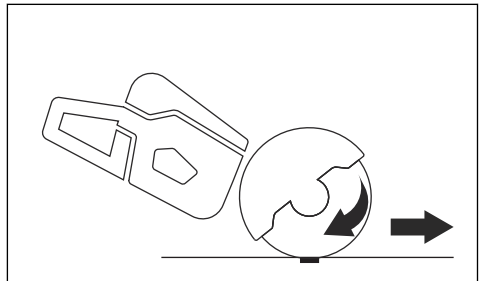
WARNUNG: Rückschläge treten unerwartet und mit zum Teil großer Heftigkeit auf. Heftige Drehbewegungen und starkes Wackeln des Trennschleifers können zu schweren oder tödlichen Verletzungen führen. Bediener müssen deshalb vor dem Betrieb des Produktes die Ursachen für Rückschläge sowie die Vorsichtsmaßnahmen zu deren Vermeidung verstehen.

Als Rückschläge werden ruckartige Aufwärtsbewegungen bezeichnet, die dadurch entstehen, dass die Klinge im Rückschlagbereich einklemmt oder stecken bleibt. Die meisten Rückschläge haben nur kleine Auswirkungen auf das Verhalten des Gerätes und stellen keine große Gefahr dar. Es kann jedoch zu heftigen Drehbewegungen und starkem Wackeln des Trennschleifers kommen, was zu schweren oder tödlichen Verletzungen führen kann.

Rückschlageffekt

Der Rückschlageffekt kann bei Schneidarbeiten jederzeit auftreten. Das Gerät wird dabei in die zur Rotationsrichtung der Trennscheibe entgegengesetzte Richtung gezogen. Beim Betrieb des Gerätes kann dieser Effekt meist vernachlässigt werden. Wird die

Scheibe eingeklemmt oder bleibt sie stecken, so kann die Heftigkeit der Rückschlageffekte dazu führen, dass der Bediener die Kontrolle über das Gerät verliert.

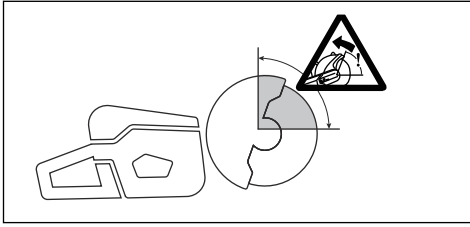


Bewegen Sie das Gerät niemals, wenn sich die Schneid-ausrüstung dreht. Kreiselkräfte können die beabsichtigte Bewegung behindern

Rückschlagbereich

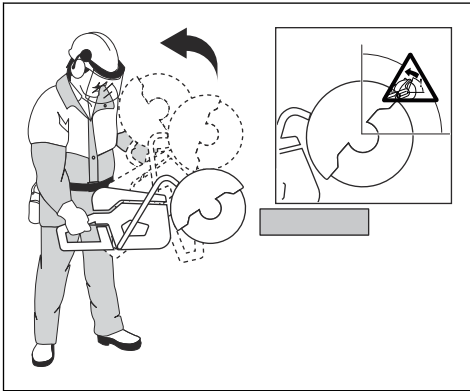
Der Rückschlagbereich der Trennscheibe darf niemals zum Schneiden verwendet werden. Wird die Trennscheibe eingeklemmt oder bleibt sie im Rückschlagbereich stecken, kann die Heftigkeit des Rückschlageffekts zu heftigen Drehbewegungen und

starkem Wackeln des Trennschleifers führen, was schwere oder tödliche Verletzungen verursachen kann.



Rückschlag der rotierenden Scheibe

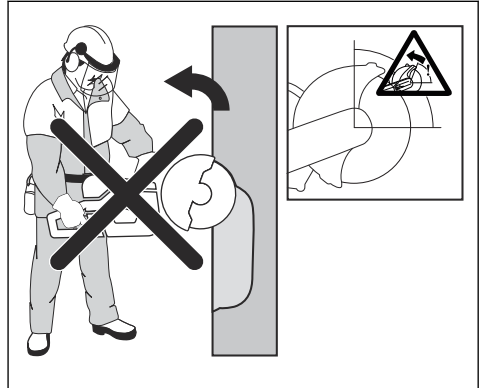
Ein Rückschlag der rotierenden Scheibe tritt auf, wenn die Trennscheibe im Rückschlagbereich nicht frei beweglich ist.



Hochschlagen des Geräts durch Rückschlageffekt

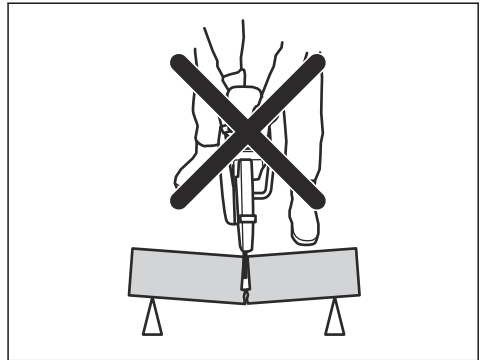
Wird im Rückschlagbereich geschnitten, kann der Rückstoßeffect zu einem Hochschlagen des Gerätes führen. Schneiden Sie deshalb nicht mit dem Rückschlagbereich. Ein Hochschlagen des Gerätes

können Sie dadurch vermeiden, dass Sie mit dem unteren Quadranten der Trennscheibe schneiden.



Blockierung

Blockiert wird das Gerät, wenn sich die Schnittstelle verengt. Wird die Klinge eingeklemmt oder bleibt sie stecken, so kann die Heftigkeit der Rückschlageffekte dazu führen, dass der Bediener die Kontrolle über das Gerät verliert.



Wird die Klinge eingeklemmt oder bleibt sie im Rückschlagbereich stecken, kann die Heftigkeit der Rückschlageffekte zu heftigen Drehbewegungen und starkem Wackeln des Trennschleifers führen, was schwere oder tödliche Verletzungen verursachen kann. Auf mögliche Bewegungen des Werkstücks achten. Wenn das Werkstück nicht ausreichend gestützt ist und sich beim Schneiden verschiebt, kann es durch Einklemmen der Trennscheibe zu einem Rückschlag kommen.

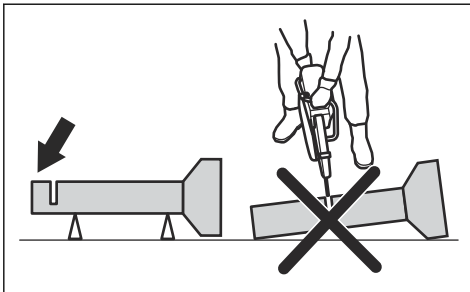
Schneiden von Rohren

Beim Schneiden von Rohren ist besondere Sorgfalt geboten. Ist das Rohr nicht ordnungsgemäß gestützt und die Schnittstelle während des Schneidens offen, könnte die Trennscheibe eingeklemmt werden. Achtung: Beim Schneiden eines Rohrs mit einem verbreiterten

Ende oder eines Rohrs in einem Baugraben kann eine nicht ausreichende Stützung zu einem Durchhängen und Einklemmen der Trennscheibe führen.

Wenn das Rohr durchhängt, so dass sich die Schnittstelle verengt, wird die Trennscheibe im Rückschlagbereich eingeklemmt und kann einen schweren Rückschlag hervorrufen. Wenn das Rohr ordnungsgemäß gestützt ist, fällt das Ende des Rohrs nach unten, die Schnittstelle wird verbreitert und die Trennscheibe kann nicht eingeklemmt werden.

Sichern Sie das Rohr, damit es sich nicht bewegen oder wegrollen kann. Stellen Sie sicher, dass sich der Schnitt öffnet, um ein Einklemmen zu verhindern.



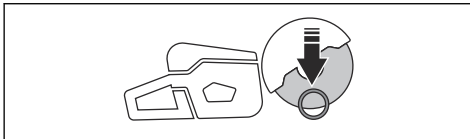
Schneiden von kleineren Rohren



WARNUNG: Wird die Trennscheibe im Rückschlagbereich eingeklemmt, führt dies zu einem starken Rückschlageffekt.

Ist das Rohr kleiner als die maximale Schnitttiefe des Geräts, kann der Schneidvorgang in 1 Schritt von oben nach unten durchgeführt werden.

- Schneiden Sie das Rohr von oben nach unten.



Schneiden von größeren Rohren

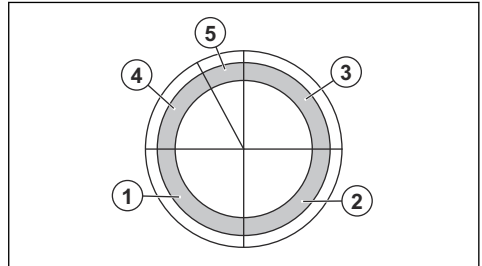


WARNUNG: Wird die Trennscheibe im Rückschlagbereich eingeklemmt, führt dies zu einem starken Rückschlageffekt.

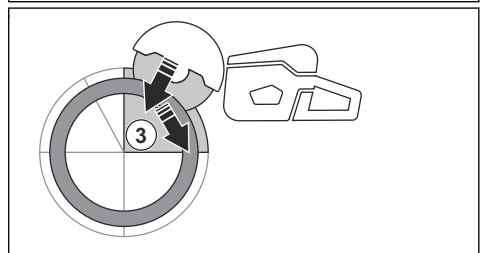
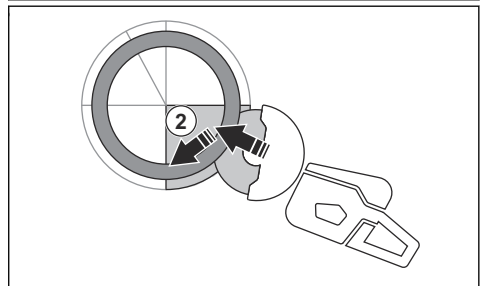
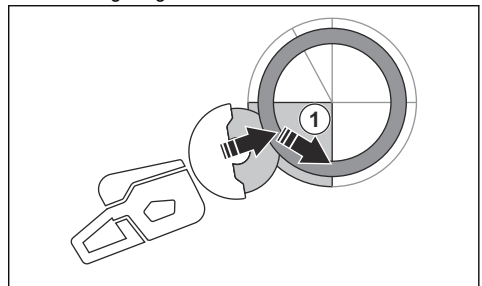
Ist das Rohr größer als die maximale Schnitttiefe des Geräts und kann nicht gerollt werden, muss der Schneidvorgang in 5 Schritte aufgeteilt werden.

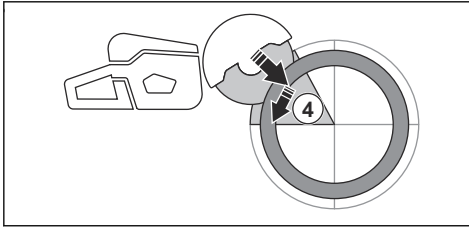
- Stellen Sie den Trennscheibenschutz auf den Rohrschneidmodus ein. Siehe *So stellen Sie den Rohrschneidmodus ein auf Seite 62*.

- Unterteilen Sie das Rohr in 5 Abschnitte. Markieren Sie diese Abschnitte und eine Schnittlinie. Schneiden Sie eine flache Führungsnut um das Rohr.

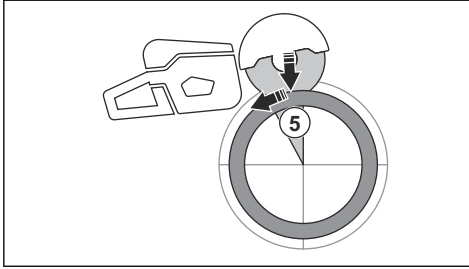


- Schneiden Sie diese Abschnitte in 5 Schritten. Die Schnittrichtungen werden bei jedem Schritt durch die Pfeile angezeigt.





- Führen Sie den endgültigen Trennschnitt von der Oberseite des Rohrs nach hinten aus, ohne den oberen Quadranten der Trennscheibe zu umfassen. Stellen Sie den Klingenschutz auf die vorderste Position ein, um für maximalen Schutz zu sorgen.



WARNUNG: Wenn das Rohr ordnungsgemäß gestützt ist, darf es die Trennscheibe beim Trennen in Abschnitt 5 nicht einklemmen. Seien Sie vorsichtig, wenn die Trennscheibe während der endgültigen Trennung eingeklemmt wird. Wenn die Trennscheibe im unteren Bereich eingeklemmt wird, bewegt sich das Gerät möglicherweise vom Bediener weg nach vorne, anstatt einen Rückschlag der rotierenden Scheibe zu verursachen.

Einen Rückschlag verhindern



WARNUNG: Vermeiden Sie Situationen, in denen Rückschlaggefahr besteht. Seien Sie bei der Verwendung Ihres Trennschleifers vorsichtig und stellen Sie sicher, dass die Trennscheibe nicht in der Rückschlagzone eingeklemmt wird.



WARNUNG: Seien Sie beim erneuten Einführen der Trennscheibe in einen bestehenden Schnittspalt vorsichtig.

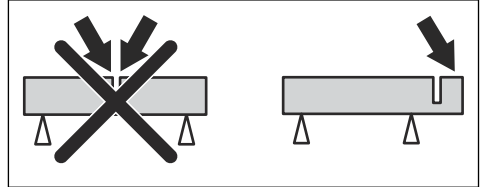


WARNUNG: Stellen Sie sicher, dass das Werkstück sich während der Arbeit nicht bewegen kann.



WARNUNG: Nur Sie selbst und eine vorschriftsmäßige Arbeitstechnik können den Rückschlag und seine Risiken ausschalten.

- Stützen Sie das Werkstück stets ab, so dass der Schnitt beim Schneiden offen bleiben kann. Bei einer geöffneten Schnittstelle tritt kein Rückschlageffekt auf. Rückschlaggefahr besteht, wenn sich die Schnittstelle schließt und die Trennscheibe eingeklemmt werden könnte.



X-Halt

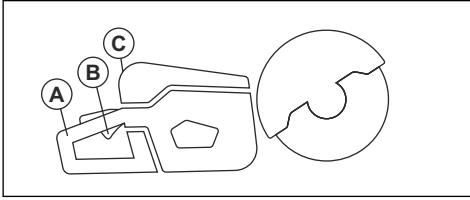
Bei der X-Halt-Funktion handelt es sich um ein elektronisches Bremssystem, das bei einem Rückschlag aktiviert wird. Die Funktion kann Personenschäden durch Rückschlag nicht vollständig verhindern, verringert jedoch das Risiko. Eine sichere Arbeitstechnik ist erforderlich, um Rückschläge zu vermeiden und das Verletzungsrisiko zu verringern.

Die X-Halt-Funktion ist immer eingeschaltet, wenn das Gerät eingeschaltet ist. Wenn die Funktion aktiviert ist, wird auf dem Bedienfeld das X-Halt-Warnsymbol angezeigt, bis sich das Gerät abgekühlt hat. Siehe *Funktionen der Benutzeroberfläche auf Seite 49*. Weitere Informationen finden Sie unter *Fehlerbehebung des Geräts auf Seite 68*.

Vor Verwendung des Geräts

1. Lesen Sie die Betriebsanleitung sorgfältig durch, und stellen Sie sicher, dass Sie die Anweisungen verstehen.
2. Führen Sie die tägliche Wartung durch. Siehe *Wartungsplan auf Seite 65*.
3. Stellen Sie sicher, dass sich nur befugte Personen im Arbeitsbereich befinden.
4. Achten Sie während der Arbeit auf eine sichere und stabile Position.
5. Stellen Sie sicher, dass der Wasseranschluss an eine Wasserversorgung angeschlossen ist. Siehe *So schließen Sie das Kühlwasser an auf Seite 64*.

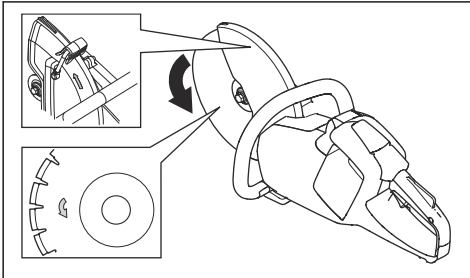
6. Prüfen Sie den hinteren Handgriff (A), um sicherzustellen, dass er nicht beschädigt ist.



7. Prüfen Sie die Gashebelsperre (B), um sicherzustellen, dass sie ordnungsgemäß funktioniert und nicht beschädigt ist.
8. Prüfen Sie die Bedientafel (B), um sicherzustellen, dass sie ordnungsgemäß funktioniert.
9. Stellen Sie sicher, dass alle Teile und Schutzvorrichtungen korrekt befestigt und nicht beschädigt sind und keine Teile fehlen.
10. Laden Sie den Akku und stellen Sie sicher, dass er richtig am Gerät befestigt ist. Verwenden Sie nur -Akkus.
11. Stellen Sie sicher, dass der Trennschleifer anhält, wenn Sie den Gashebel lösen.

So prüfen Sie die Rotationsrichtung der Trennscheibe

1. Suchen Sie den Pfeil auf dem Trennscheibenschutz, der die Rotationsrichtung der Spindelwelle anzeigt.



2. Suchen Sie den Pfeil auf dem Scheibenschutz, der die Rotationsrichtung der Trennscheibe anzeigt.
3. Stellen Sie sicher, dass der Richtungspfeil der Trennscheibe und der Spindelwelle in dieselbe Richtung zeigen.

So prüfen Sie die Dornbuchsen

Die Dornbuchsen dienen zur Einpassung des Geräts in das Mittelloch der Trennscheibe. Das Gerät wird mit Dornbuchsen geliefert, die für 20 mm / 0,79 Zoll oder 25,4 mm / 1 Zoll Mittellöcher geeignet sind.

- Stellen Sie sicher, dass die Abmessung des Mittel Lochs der Trennscheibe mit der installierten Dornbuche übereinstimmt. Der Durchmesser des Mittel Lochs ist auf der Trennscheibe aufgedruckt.
- Verwenden Sie nur Dornbuchsen von Husqvarna.

Bluetooth® Drahtlostechnologie

Geräte mit eingebauter Bluetooth® Drahtlostechnologie können mit mobilen Geräten verbunden werden und von der Verbindung mit Husqvarna können zusätzliche Funktionen aktiviert werden.

Das Symbol für Bluetooth® Drahtlostechnologie leuchtet auf, wenn Ihr Mobiltelefon mit dem Gerät verbunden ist.



So verwenden Sie die integrierte Konnektivität mit Fleet

Hinweis: Dieser Abschnitt gilt nur für Geräte mit integrierter Konnektivität.

Hinweis: Die Funkverbindung über die Bluetooth®-Funktion wird aktiviert, wenn das Gerät zum ersten Mal an einen Akku angeschlossen wird, und bleibt danach aktiv.

1. Laden Sie Husqvarna Fleet Services als Husqvarna Fleet Services App für iOS oder Android herunter.
2. Besuchen Sie die Webseite von Husqvarna Fleet Services unter <https://fleetservices.husqvarna.com> für weitere Informationen.

So schließen Sie das Ladegerät an



WARNUNG: Das Ladegerät darf nur bei Umgebungstemperaturen zwischen 5 °C/41 °F und 40 °C/104°F verwendet werden.

1. Schließen Sie das Akkuladegerät an eine Quelle mit der auf dem Typenschild angegebenen Spannung und Frequenz an.
2. Stecken Sie den Netzstecker in eine geerdete Steckdose. Die LED am Ladegerät blinkt einmal grün.

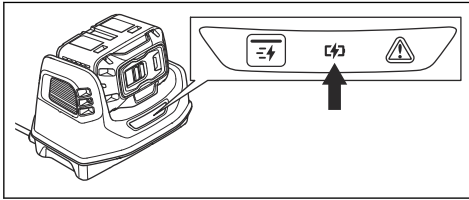
So schließen Sie den Akku an das Akkuladegerät an

Hinweis: Laden Sie den Akku, wenn Sie ihn zum ersten Mal verwenden. Ein neuer Akku ist nur zu 30 % geladen.

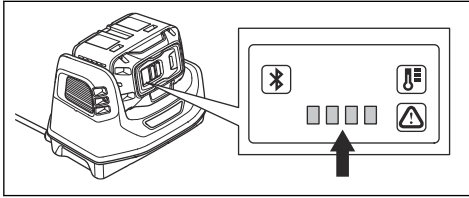
Hinweis: Der Akku kann nicht aufgeladen werden, wenn die Akkuteperatur zu hoch ist. Lassen Sie den Akku vor dem Aufladen abkühlen.

1. Stellen Sie sicher, dass der Akku trocken ist.

- Legen Sie den Akku in das Ladegerät.
- Stellen Sie sicher, dass die grüne Ladeanzeige auf dem Ladegerät aufleuchtet. Das bedeutet, dass der Akku richtig mit dem Ladegerät verbunden ist.



- Wenn alle LEDs am Akku leuchten, ist er vollständig aufgeladen.



- Um das Ladegerät von der Steckdose zu trennen, ziehen Sie den Netzstecker. Ziehen Sie nicht am Kabel.
- Nehmen Sie den Akku aus dem Ladegerät.

Hinweis: Weitere Informationen entnehmen Sie bitte den Bedienungsanleitungen für den Akku und das Ladegerät.

Grundlegende Arbeitstechniken



WARNUNG: Bewegen Sie den Trennschleifer nicht zur Seite. Dies kann die freie Bewegung der Scheibe behindern und dazu führen, dass die Trennscheibe bricht, wodurch es zu Verletzungen kommen kann.



WARNUNG: Verwenden Sie niemals die Scheibenseite. Es besteht die Gefahr, dass die Trennscheibe beschädigt oder zerbrochen wird, wodurch es zu Verletzungen kommen kann. Verwenden Sie nur die Schneidkante.



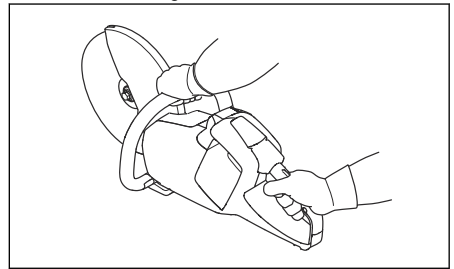
WARNUNG: Verwenden Sie keine Diamantklinge zum Schneiden von Kunststoff. Die entstehende Hitze kann dazu führen, dass der Kunststoff schmilzt. Geschmolzener Kunststoff kann an der Trennscheibe kleben bleiben und zu einem Rückschlag führen.

- Das Gerät ist für Hochgeschwindigkeits-Diamanttrennscheiben bestimmt, die für

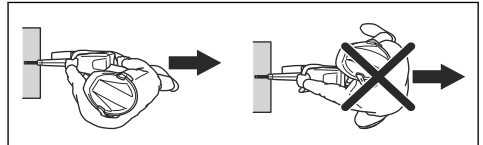
handgeführte Trennschleifer zugelassen sind.

Verwenden Sie von Husqvarna empfohlene Trennscheiben für das Gerät.

- Das Gerät ist für das Schneiden von Fliesen, Leichtbeton und Stein bestimmt. Setzen Sie das Gerät nur für diese Art von Arbeiten ein.
- Achten Sie darauf, dass die Trennscheibe keine Schäden aufweist und dass sie richtig angebracht ist, siehe *Schleifscheiben auf Seite 52* und *So installieren Sie die Trennscheibe auf Seite 55*.
- Verwenden Sie immer die richtige Trennscheibe für die jeweilige Betriebsart, siehe *Trennscheiben auf Seite 51*.
- Schneiden Sie kein asbesthaltiges Material.
- Halten Sie den Trennschleifer immer mit zwei Händen fest. Halten Sie das Gerät immer mit Daumen und Fingern an den Griffen fest. Halten Sie immer den hinteren Griff mit der rechten Hand und den vorderen Handgriff mit der linken Hand fest.

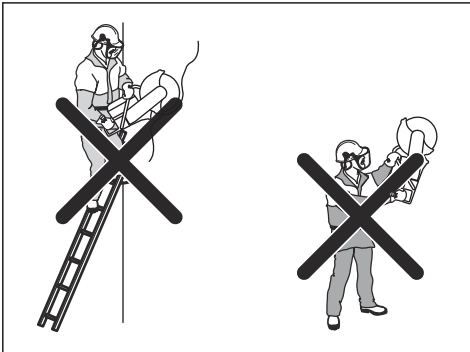


- Stehen Sie immer parallel zur Trennscheibe. Stellen Sie sich nicht gerade hinter die Trennscheibe. Im Fall eines Rückschlags bewegt sich der Trennschleifer in der Ebene der Trennscheibe.

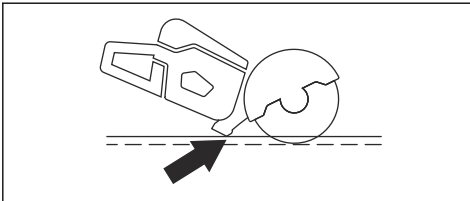


- Halten Sie bei laufendem Motor einen Sicherheitsabstand zur Trennscheibe.
- Stellen Sie sicher, dass Sie sich während des Betriebs in einer stabilen Position befinden.
- Halten Sie einen entsprechenden Abstand von dem Objekt, das sie schneiden.
- Arbeiten Sie in keinem Fall oberhalb der Schulterhöhe mit dem Gerät. Verwenden Sie eine Plattform oder ein Gerüst, wenn die Schneidarbeiten oberhalb der Schulter erfolgen. Sorgen Sie für einen festen Stand.

- Arbeiten Sie nicht von einer Leiter aus.

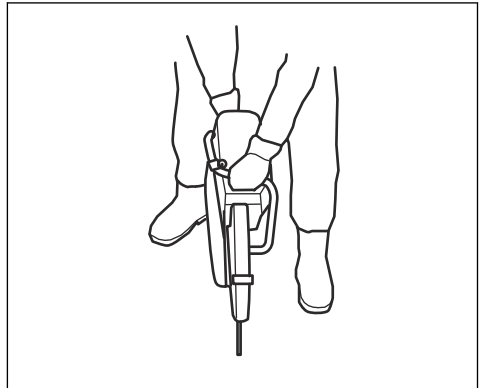


- Achten Sie darauf, dass die Trennscheibe frei ist, wenn der Motor gestartet wird.
- Behalten Sie das Gerät im Auge, wenn der Motor läuft.
- Bewegen Sie auf keinen Fall das Gerät, wenn sich die Trennscheibe dreht. Das Gerät verfügt über eine elektrische Bremse zur Verringerung der Anhaltezeit der Trennscheibe.
- Stellen Sie sicher, dass die Bodenstütze vorne bündig mit dem Werkstück am Ende ist. Der Trennscheibenschutz sammelt Spritzer und Staub und hält sie vom Bediener fern.

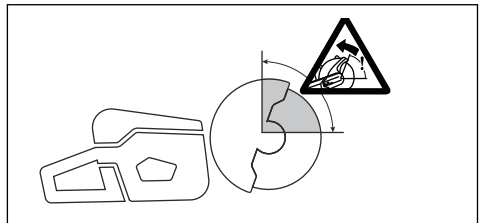


- Schneiden Sie mit Vollgas. Behalten Sie die volle Drehzahl bei, bis der Schneidevorgang abgeschlossen ist.
- Drücken Sie die Trennscheibe leicht gegen das Objekt, das Sie schneiden. Gehen Sie dabei nicht mit Gewalt vor.

- Richten Sie die Trennscheibe nach dem Schnitt aus.



- Bewegen Sie die Trennscheibe langsam nach vorn und nach hinten, um den Bereich zwischen Trennscheibe und Material zu verkleinern. Dadurch verringert sich die Temperatur der Trennscheibe.



- Schneiden Sie nicht mit dem Rückschlagbereich der Trennscheibe, siehe *Rückschlagbereich auf Seite 56*.

So stellen Sie den Rohrschneidemodus ein



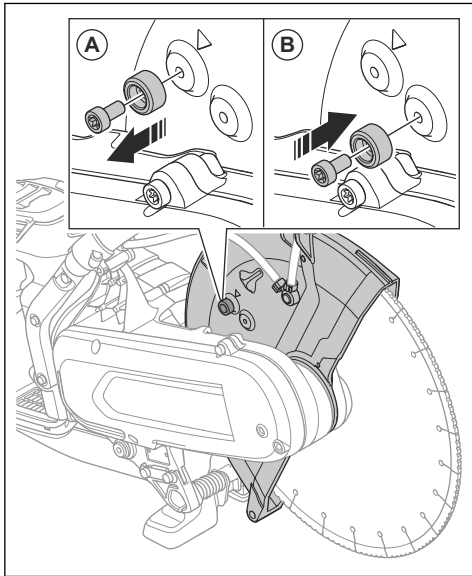
WARNUNG: Der Einstellgriff für den Trennscheibenschutz kann sehr heiß sein. Verwenden Sie beim Einstellen des Trennscheibenschutzes Handschuhe.



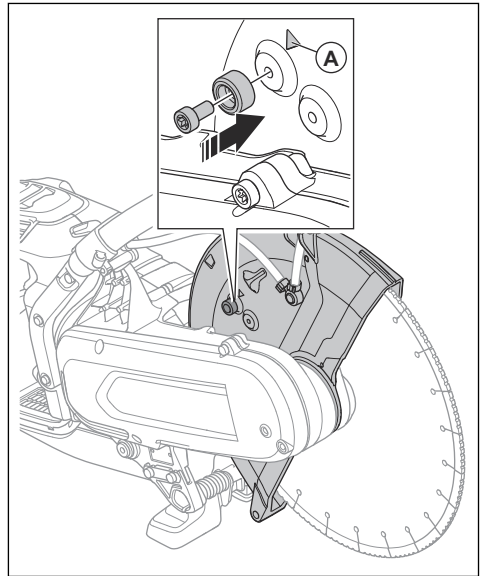
WARNUNG: Verwenden Sie den Rohrschneidemodus nur im Rohrschneidebetrieb. Verwenden Sie bei allen anderen Betriebsarten den Standardschneidemodus.

Der Rohrschneidemodus ermöglicht das Schneiden von Rohren im Rückschlagbereich.

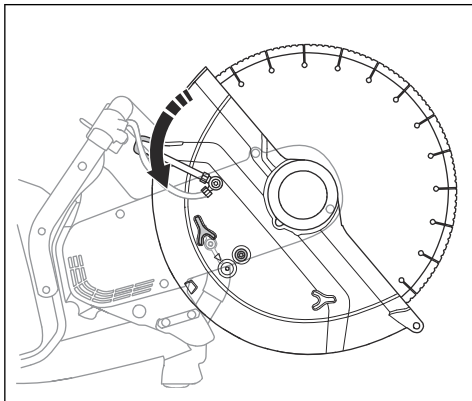
1. Bewegen Sie die Anschlagsschraube des Trennscheibenschutzes aus dem Standardschneidmodus (A) in den Rohrschneidmodus (B).



3. Bringen Sie die Anschlagsschraube nach dem Rohrschneidbetrieb wieder in den Standardschneidmodus. Der Pfeil (A) zeigt den Standardschneidmodus an.



2. Ziehen Sie am Einstellgriff, um den Rohrschneidmodus zu aktivieren.



Nassschneiden



ACHTUNG: Verwenden Sie keine Vac-Geräte zusammen mit dem Feucht-System.

- Diamantklingen für den Nassschnitt müssen mit dem Feucht-System verwendet werden.
- Wasser kühlt die Klinge und verlängert ihre Lebensdauer, während es gleichzeitig Staub verringert.
- Wenn sie nass schneiden, stellen Sie sicher, dass Sie das Abwasser sicher auffangen.

So verringern Sie Staubbildung während des Betriebs

Das Gerät verfügt über ein Kit für den Nassschnitt, um schädlichen Staub in der Luft während des Betriebs zu reduzieren. Das Nassschnitt-Kit hat einen geringen Wasserverbrauch.

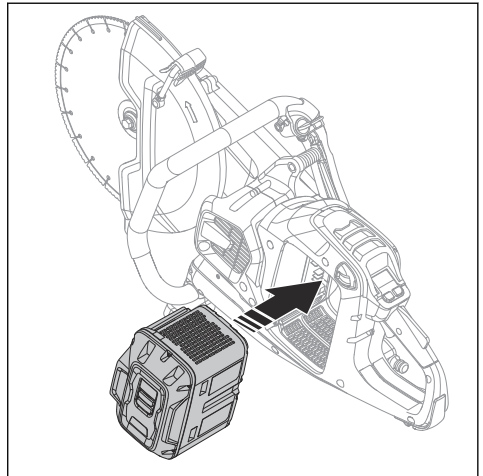
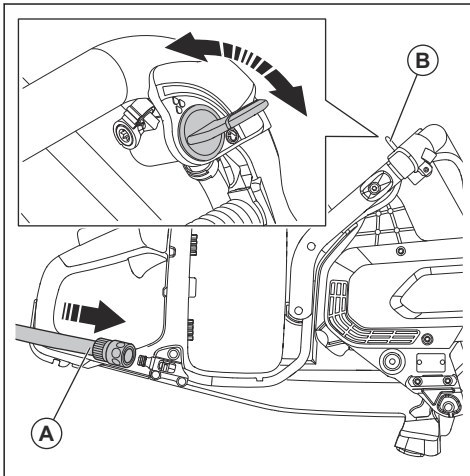
- Verwenden Sie nach Möglichkeit Trennscheiben für den Nassschnitt mit Wasserkühlung. Siehe *Diamantscheiben für den Nassschnitt auf Seite 54*.
- Stellen Sie den Wasserzufluss mit dem Ventil ein. Der richtige Fluss ist für verschiedene Arten von Aufgaben unterschiedlich.

- Stellen Sie sicher, dass der Wasserdruck korrekt ist. Siehe *Technische Daten auf Seite 72*. Wenn sich der Wasserschlauch an der Versorgungsquelle löst, kann der vorhandene Wasserdruck zu hoch sein.

2. Legen Sie den Akku in das Akkufach ein.

So schließen Sie das Kühlwasser an

1. Schließen Sie den Wasserschlauch an die Wasserzufuhr (A) an.



3. Drücken Sie auf den unteren Teil des Akkus, bis Sie ein Klicken hören. Wenn der Akku nicht leicht in den Akkuhalter gleitet, ist er nicht richtig in den Akkuhalter eingesetzt.

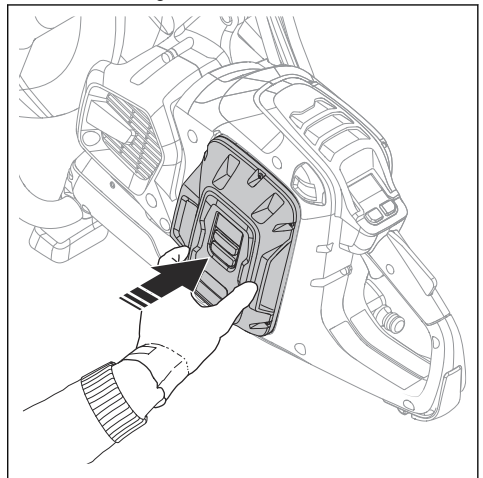
2. Drehen Sie das Wasserventil (B), um den Wasserfluss zu starten oder zu stoppen.
3. Prüfen Sie den Wasseranschluss und den Schlauch auf Undichtigkeiten.
4. Stellen Sie sicher, dass der Wasserdruck nicht höher als der maximal zulässige Wasserdruck ist, siehe *Technische Daten auf Seite 72*.

Trockenschneiden

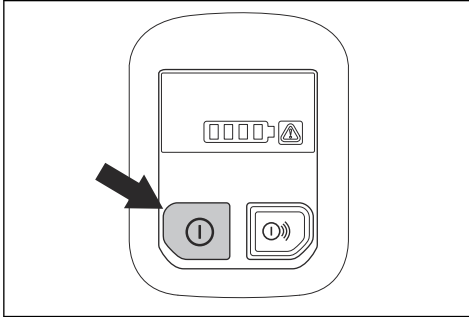
- Beim Trockenschritt kann man die Scheibe abkühlen lassen, indem man sie alle 30 - 60 Sek. einfach aus der Nut zieht und zum Abkühlen ca. 10 Sek. in der Luft rotieren lässt.
- Verwenden Sie, wenn möglich, Vac-Geräte.

So starten Sie das Gerät

1. Kontrollieren Sie den Gashebel und die Gashebelsperre. Siehe *So prüfen Sie die Gashebelsperre auf Seite 66*.



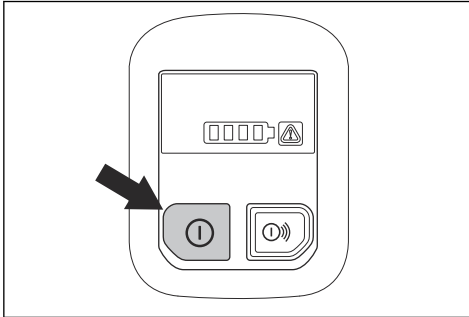
4. Halten Sie die On/Off-Taste gedrückt, bis die grüne LED aufleuchtet.



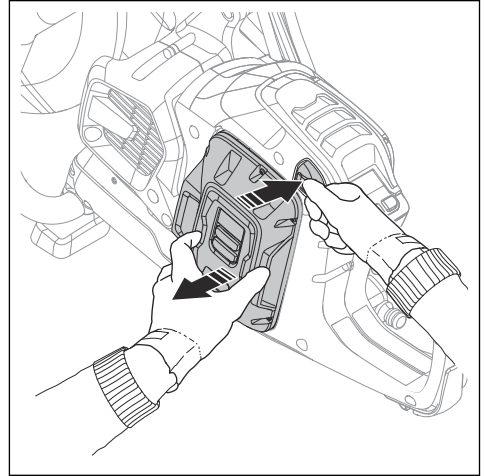
5. Drücken Sie den Gashebel, um den Motor zu starten.

So stoppen Sie das Gerät

1. Lassen Sie den Gashebel los.
2. Halten Sie die On/Off-Taste auf dem Bedienfeld gedrückt, bis die grüne LED erlischt.



3. Drücken Sie die Akkuentriegelungstaste und nehmen Sie den Akku aus dem Akkufach.



WARNUNG: Entfernen Sie den Akku, wenn sie das Gerät nicht verwenden oder es nicht vollständig im Blick haben. So verhindern Sie ein unbeabsichtigtes Starten.

Wartung

Einleitung



WARNUNG: Lesen Sie vor Wartungsarbeiten am Gerät das Kapitel über Sicherheit, und machen Sie sich damit vertraut.



WARNUNG: Entfernen Sie den Akku, bevor Sie Wartungsarbeiten am Gerät durchführen.



WARNUNG: Das Nichtbeachten der Wartungsanweisungen kann die

Haltbarkeit beeinträchtigen und die Unfallgefahr erhöhen. Alle Wartungs- und/oder Reparaturarbeiten müssen ebenfalls durch einen Fachbetrieb durchgeführt werden. Wenden Sie sich für weitere Informationen an Ihren Servicehändler.

Wartungsplan

Nachstehend sind die am Gerät vorzunehmenden Wartungsmaßnahmen aufgelistet.

Wartung	Vor der Verwendung	Wöchentlich	Monatlich
Die äußeren Teile des Geräts reinigen.	X		
Sicherstellen, dass der Gashebel und die Gashebelsperre sicherheitstechnisch ordnungsgemäß funktionieren.	X		
Trennscheibe überprüfen. Auf Risse untersuchen und sicherstellen, dass die Trennscheibe nicht übermäßig verschlissen ist. Bei Bedarf ersetzen.	X		
Reinigen Sie das Lüftergehäuse am Gerät.	X		
Sicherstellen, dass alle Schrauben und Muttern fest angezogen sind.	X		
Stellen Sie sicher, dass das Bedienfeld ordnungsgemäß funktioniert und unbeschädigt ist.	X		
Die Verbindungen zwischen dem Akku und dem Gerät prüfen. Die Verbindung zwischen dem Akku und dem Akkuladegerät prüfen.			X
Blasen Sie das Produkt und den Akku leicht mit Druckluft durch.			X

Außen reinigen

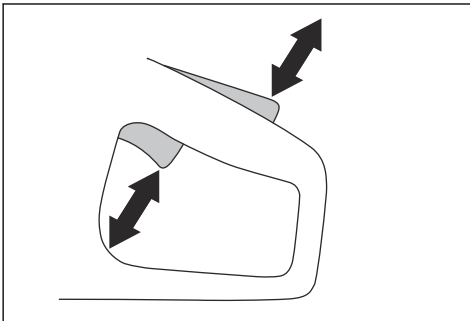


WARNUNG: Reinigen Sie das Gerät nicht mit einem Hochdruckreiniger.

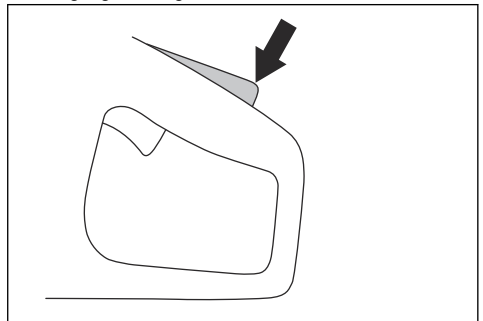
- Spülen Sie das Gerät äußerlich nach jedem Arbeitstag mit sauberem Wasser. Falls erforderlich, verwenden Sie eine Bürste.

So prüfen Sie die Gashebelsperre

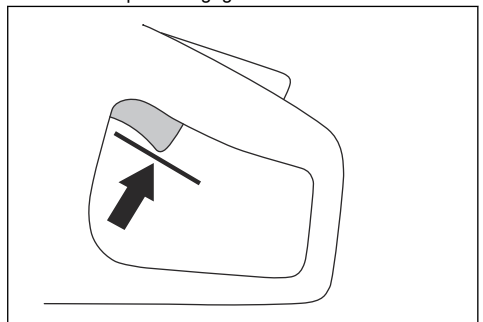
- Prüfen Sie, ob sich der Gashebel und die Gashebelsperre frei bewegen lassen und ob die Rückholfeder korrekt funktioniert.



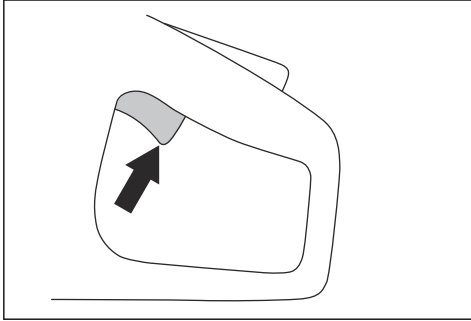
- Drücken Sie die Gashebelsperre herunter, und kontrollieren Sie, ob sie beim Loslassen in die Ausgangsstellung zurückkehrt.



- Stellen Sie sicher, dass der Gashebel in der Leerlaufposition verriegelt ist, wenn die Gashebelsperre freigegeben wird.



4. Halten Sie die On/Off-Taste gedrückt, um das Gerät zu starten und Vollgas zu geben. Siehe *So starten Sie das Gerät auf Seite 64*.



5. Lassen Sie den Gashebel los, und stellen Sie sicher, dass die Trennscheibe stoppt. Dreht sich die Trennscheibe, wenn der Gashebel in Leerlaufstellung steht, wenden Sie sich an Ihren Servicehändler.

So reinigen Sie den Akku und das Ladegerät



WARNUNG: Reinigen Sie weder den Akku noch das Ladegerät mit Wasser.

- Stellen Sie sicher, dass der Akku und das Ladegerät sauber und trocken sind, bevor Sie den Akku in das Ladegerät einlegen.
- Reinigen Sie die Akkuklemmen mit Druckluft oder einem weichen, trockenen Tuch.
- Reinigen Sie die Oberflächen des Akkus und des Ladegeräts mit einem weichen, trockenen Tuch.

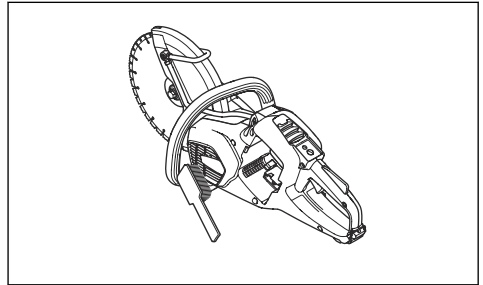
Kontrollieren Sie das Akkuladegerät

1. Stellen Sie sicher, dass das Akkuladegerät und das Netzkabel nicht beschädigt sind. Suchen Sie nach Rissen und anderen Schäden.

So reinigen Sie das Kühlsystem

Das Gerät ist mit einem Kühlsystem ausgestattet, um die Temperatur des Geräts so gering wie möglich zu halten.

Das Kühlsystem besitzt unter anderem einen Lufteinlass auf der linken Seite des Geräts und ein Lüfter am Motor.



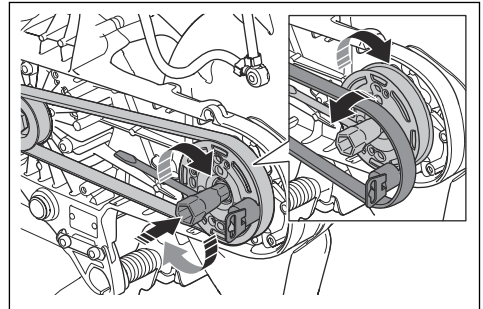
1. Reinigen Sie das Kühlsystem wöchentlich oder bei Bedarf häufiger mit einer Bürste.
2. Stellen Sie sicher, dass das Kühlsystem nicht verschmutzt oder verstopft ist.



ACHTUNG: Eine Verschmutzung oder Verstopfung des Kühlsystems kann das Gerät zu heiß werden lassen.

So entfernen Sie den Treibriemen

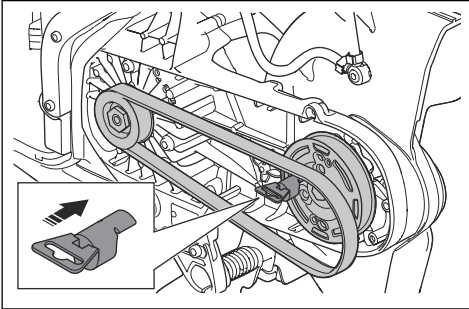
1. Entfernen Sie den Riemenschutz. Siehe *Geräteübersicht K1 PACE auf Seite 38*.
2. Legen Sie das Riemenwerkzeug auf die vordere Riemenscheibe. Verwenden Sie einen Schraubenschlüssel, um den Antriebsriemen von der Riemenscheibe zu ziehen.



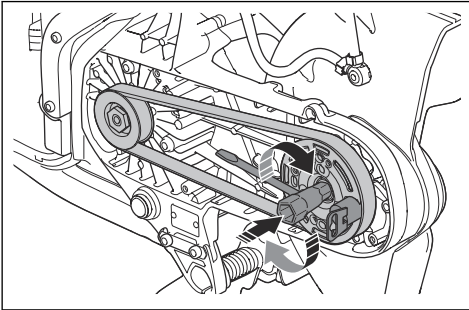
So installieren Sie den Treibriemen

1. Legen Sie den Treibriemen um die hintere Riemenscheibe.

2. Legen Sie das Riemenmontagewerkzeug auf die vordere Riemenscheibe.



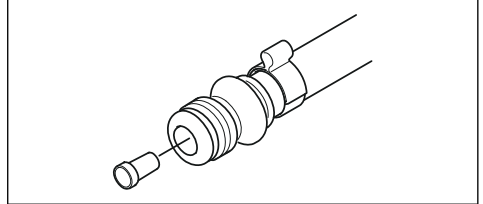
3. Drehen Sie die vordere Riemenscheibe mit dem Kombischlüssel im Uhrzeigersinn. Drücken Sie gleichzeitig den Treibriemen auf die Riemenscheibe.



4. Befestigen Sie den Riemenschutz. Siehe *Geräteübersicht K1 PACE auf Seite 38.*

So überprüfen Sie das Wasserversorgungssystem

1. Überprüfen Sie die Düsen am Scheibenschutz, und stellen Sie sicher, dass sie nicht verstopft sind.
2. Reinigen Sie ihn bei Bedarf.
3. Überprüfen Sie den Filter am Wasseranschluss. Vergewissern Sie sich, dass er nicht verstopft ist.
4. Reinigen Sie ihn bei Bedarf.







5. Überprüfen Sie die Schläuche und stellen Sie sicher, dass sie unbeschädigt sind.

Fehlerbehebung

Fehlerbehebung des Geräts

Hinweis: Informationen zur Fehlerbehebung bei Akku und Ladegerät finden Sie in der entsprechenden Bedienungsanleitung.

Symbol auf dem Bedienfeld	Problem	Ursache	Lösung
	Das Gerät springt nicht an. Beim Drücken der On/Off-Taste leuchten keine LEDs auf.	Akku fehlerhaft.	Die On/Off-Taste drücken, um eine Prüfung des Akkus durchzuführen. Mindestens eine grüne LED muss aufleuchten.
		Mangelhafter Kontakt zwischen Akku und Gerät.	Sicherstellen, dass die Stromanschlüsse zwischen Akku und Gerät nicht verschmutzt oder defekt sind.
		Der Akku wurde nicht korrekt in das Gerät eingesetzt.	Den Akku entfernen und korrekt einsetzen.
		Es sind Servicearbeiten erforderlich.	Ein autorisiertes Husqvarna Service Center kontaktieren.
	Der Motor reagiert nicht, wenn Sie den Gashebel betätigen.	Es sind Servicearbeiten erforderlich.	Ein autorisiertes Husqvarna Service Center kontaktieren.
	Der Motor bewegt sich ruckartig, wenn der Gashebel gedrückt wird, hält dann jedoch an.	Es sind Servicearbeiten erforderlich.	Ein autorisiertes Husqvarna Service Center kontaktieren.
	Das Gerät bleibt während des Rückschlags stehen.	Die X-Halt-Funktion ist aktiviert.	Warten, bis der X-Halt sich auskuppelt.
	Das Gerät wird angehalten, wenn Sie es bei der Arbeit belasten.	Das Gerät wurde zu stark belastet.	Das Gerät starten und weniger Last anwenden.
	Das Gerät funktioniert, aber es leuchtet keine LED auf dem Bedienfeld.	Es sind Servicearbeiten erforderlich.	Ein autorisiertes Husqvarna Service Center kontaktieren.

Symbol auf dem Bedienfeld	Problem	Ursache	Lösung
	Die Warnanzeige blinkt rot. Vorübergehende Warnung.	Temperaturabweichung, wenn die Temperaturwarnanzeige ebenfalls leuchtet.	Das Gerät abkühlen lassen, wenn es zu heiß ist. Wenn es zu kühl ist, zum Aufwärmen in einen Innenraum stellen.
		Akku fehlerhaft.	Den Akku ersetzen.
		Falsche Drehrichtung.	Das Gerät schaltet sich ab. Zum Zurücksetzen den Gashebel drücken.
		Der Gashebel wird während des Startvorgangs gedrückt.	Den Gashebel während des Startvorgangs loslassen.
	Der Gashebel und die On/Off-Taste werden gleichzeitig gedrückt.	Lassen Sie den Gashebel los.	
	Die rote Warnanzeige leuchtet	Es sind Servicearbeiten erforderlich.	Ein autorisiertes Husqvarna Service Center kontaktieren.
	Die gelbe Temperaturwarnanzeige leuchtet.	Temperaturabweichung.	Das Gerät ist zu warm oder zu kalt.
	Die X-Halt-Anzeige blinkt.	Die X-Halt-Funktion ist aktiviert.	Warten, bis die Abkühlphase abgeschlossen ist.
	Die X-Halt-Anzeige leuchtet.	Es sind Servicearbeiten erforderlich.	Ein autorisiertes Husqvarna Service Center kontaktieren.
	1 grüne LED blinkt.	Zu geringe Akkuspannung.	Akku aufladen.
	Alle grünen LEDs blinken.	Es sind Servicearbeiten erforderlich.	Ein autorisiertes Husqvarna Service Center kontaktieren.
	LED 3 blinkt und LED 4 leuchtet dauerhaft.	Es sind Servicearbeiten erforderlich.	Ein autorisiertes Husqvarna Service Center kontaktieren.

Transport, Lagerung und Entsorgung

Transport und Lagerung

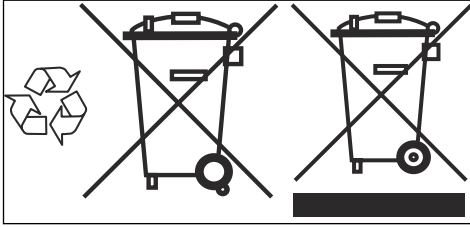
- Sichern Sie das Gerät während des Transports, um Schäden und Unfälle zu vermeiden.
- Entfernen Sie die Trennscheibe vor dem Transportieren oder Lagern des Geräts.
- Bewahren Sie das Gerät in einem verschlossenen Bereich auf, um einen unerlaubten Zugriff durch Kinder oder andere Personen zu verhindern.

- Lagern Sie die Trennscheiben trocken und frostgeschützt.
- Entfernen Sie den Akku aus dem Gerät.
- Untersuchen Sie alle neuen und gebrauchten Trennscheiben vor der Montage auf Transport- und Lagerschäden.

Entsorgung von Akku, Ladegerät und Gerät

Das Symbol unten bedeutet, dass das Gerät nicht über den Hausmüll entsorgt werden darf. Recyceln Sie es an einer Recyclingstation für elektrische und elektronische Geräte. So werden Umwelt- und Personenschäden vermieden.

Weitere Informationen erhalten Sie bei örtlichen Behörden, dem Abfallentsorgungsunternehmen oder Ihrem Händler.



Hinweis: Das Symbol ist auf dem Gerät oder der Verpackung des Geräts zu finden.

Technische Daten

Technische Daten

Husqvarna K1 PACE		
Gleichspannung maximal/nominal, V		109,2/93,6
Gewicht, kg/lbs	K1 PACE 12 Zoll	7,2/15,8
	K1 PACE 14 Zoll	7,4/16,3
	K1 PACE Rescue	7,9/17,4
Maximale Schnitttiefe, mm/Zoll	12 Zoll	121/4,8
	14 Zoll	144,5/5,7
Maximaler Durchmesser der Trennscheibe, mm/Zoll	K1 PACE 12 Zoll	314/12,4
	K1 PACE 14 Zoll	361/14,2
	K1 PACE Rescue	361/14,2
Max. Dicke der Trennscheibe, mm/Zoll	Schleifscheiben	4,0/0,16
	Diamanttrennscheiben	1,8/0,07
Trennscheibe, U/min ohne Last	K1 PACE 12 Zoll	3800
	K1 PACE 14 Zoll	3400
Wasserkühlung der Scheibe		Ja
Verbindungsniessel		Typ „Gardena“
Empfohlener Wasserdruck, bar/psi		0,5-6/7,3-87
Maximaler Wasserdruck, bar/psi		6/87
Schwingungsniveau, a_{hveq}^3	12 Zoll Vorderseite, m/s ²	2,0
	12 Zoll Rückseite, m/s ²	1,1
	14 Zoll Vorderseite, m/s ²	2,2
	14 Zoll Rückseite, m/s ²	1,2
Geräuschemissionen ⁴	LpA, dB (A)	102
	LwA, dB (A)	112,9

³ Äquivalente Vibrationspegel gemäß EN 60745-2-22 werden berechnet als die zeitgewichtete energetische Summe der Vibrationspegel. Die für die Vibrationspegel gemeldeten Werte haben eine Messunsicherheit von 1,5 m/s².

⁴ Die Geräuschemissionen werden in Übereinstimmung mit EN 60745-2-22 gemessen. Unsicherheit für den A-bewerteten Schallleistungspegel K_{wA} beträgt 3 dB (A). Unsicherheit für den A-bewerteten Schalldruckpegel K_{pA} beträgt 3 dB (A).

Konformitätserklärung für Geräusche und Vibrationen

Diese erklärten Werte wurden in Laborversuchen in Übereinstimmung mit der aufgeführten Richtlinie oder Norm ermittelt und eignen sich für einen Vergleich mit Wertdeklarationen anderer Produkte, die nach der gleichen Richtlinie bzw. Norm geprüft wurden. Diese Wertdeklarationen eignen sich nicht

zur Verwendung in Risikobewertungen, zudem können die an einzelnen Arbeitsplätzen gemessenen Werte höher sein. Die tatsächlichen Belastungswerte und das Gefährdungsrisiko eines individuellen Benutzers sind immer spezifisch und davon abhängig, wie der Benutzer arbeitet, in welchem Material das Produkt eingesetzt wird, sowie von der Belastungszeit, dem Gesundheitszustand des Benutzers und dem Gerätezustand.

Integrierte Konnektivität

Hinweis: Dieser Abschnitt gilt nur für Geräte mit integrierter Konnektivität.

BLE-Technologie-Frequenzband	
Frequenzbänder für das Werkzeug, GHz	2,402-2,480
Maximale Funkfrequenz-Leistung, dBm/mW	4/2,5

Zubehör

Zugelassene Akkus für das Gerät

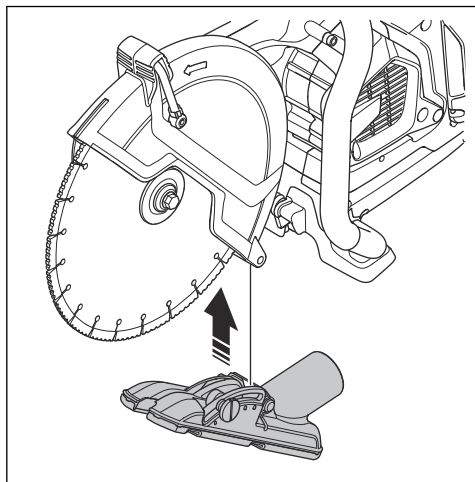
Akku	100-B380X	100-B750X
Typ	Lithium-Ionen	Lithium-Ionen
Akkukapazität, Ah	4	8
Nennspannung, V	94	94
Gewicht, kg/lb	3,1/6,1	5,1/11,4

Zugelassene Ladegeräte für das Gerät

Akkuladegerät	100-C900X
Netzspannung, V	100-240
Frequenz, Hz	50-60
Leistung, W	900

Sauganbaugerät

Verwenden Sie das Sauganbaugerät, um einen Staubabsauger an das Gerät anzuschließen.



Service

Anerkanntes Service-Zentrum

Um ein anerkanntes Husqvarna-Service-Zentrum in Ihrer Nähe zu finden, besuchen Sie die Website www.husqvarnacp.com.

Konformitätserklärung

EU-Konformitätserklärung

Die **Husqvarna AB**, SE-561 82 Huskvarna, Schweden,
Tel.: +46-36-146500, erklärt in alleiniger Verantwortung,
dass das Gerät:

Beschreibung	Tragbare Schneidmaschine
Marke	Husqvarna
Typ/Modell	K1 PACE, K1 PACE Rescue
Identifizierung	Seriennummern ab 2021

die folgenden EU-Richtlinien und -Verordnungen erfüllt:

Richtlinie/Verordnung	Beschreibung
2006/42/EC	„Maschinenrichtlinie“
2014/53/EU	„zu Funkanlagen“
2011/65/EU	„zur Beschränkung der Verwendung bestimmter gefährlicher Stoffe“

und dass die folgenden Normen und/oder technischen
Daten angewendet werden;

EN ISO 12100:2010

EN 60745-1:2009

EN 60745-2-22:2011/A11:2013

EN 55014-1:2017

EN 55014-2:2015

ETSI EN 301 489-1 V2.2.3

ETSI EN 301 489-17 V3.2.4

ETSI EN 300 328 V2.2.2

EN IEC 63000:2018

Partille, 2021-05-24



Erik Silfverberg

Leiter F&E-Abteilung, Ausrüstung zum Sägen und
Bohren von Beton

Husqvarna AB, Construction Division

Verantwortlich für die technische Dokumentation



Eingetragene Marken

Die *Bluetooth*[®]-Wortmarke und die Logos sind eingetragene Marken von *Bluetooth SIG, inc.* und die Verwendung dieser Marken durch Husqvarna erfolgt unter Lizenz.

Sommaire

Introduction.....	77	Transport, entreposage et mise au rebut.....	108
Sécurité.....	80	Caractéristiques techniques.....	110
Montage.....	90	Accessoires.....	111
Utilisation.....	95	Entretien.....	112
Entretien.....	104	Déclaration de conformité.....	113
Dépannage.....	107	Marques déposées.....	114

Introduction

Description du produit

Cette découpeuse est une machine de découpe portable. Le produit est alimenté par une batterie.

Le produit peut être utilisé pour des opérations à sec et à l'eau. Reportez-vous à *Coupe à l'eau* à la page 102 et *Découpe à sec* à la page 102.

Le produit est doté d'une connectivité intégrée. Reportez-vous à la section *Connectivité intégrée* à la page 80.

Utilisation prévue

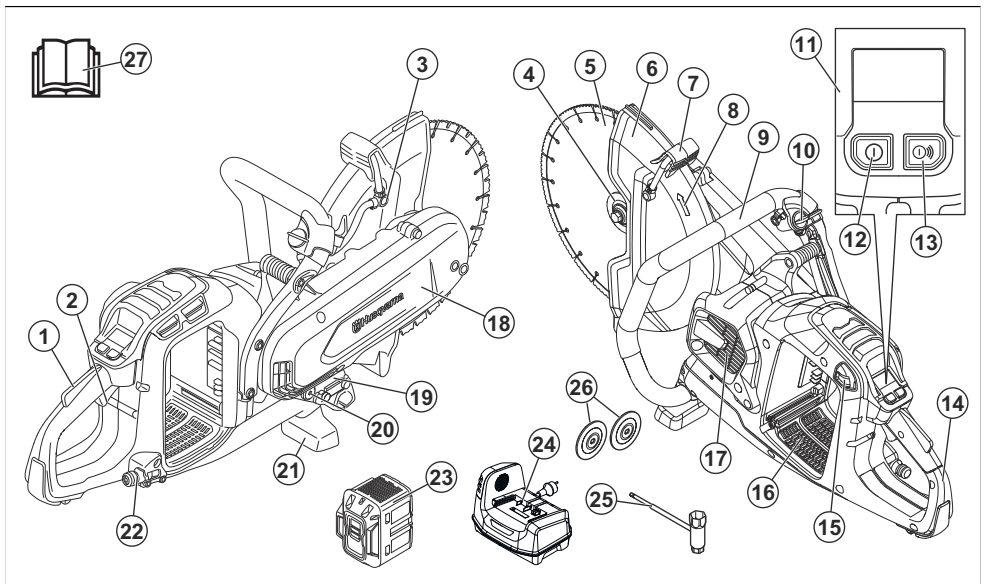
Le produit sert à découper des matériaux durs comme le béton, la brique, la pierre et l'acier. N'utilisez pas ce

produit pour d'autres travaux. Le produit doit être utilisé uniquement par des opérateurs professionnels ayant de l'expérience.

Nous travaillons en permanence à l'amélioration de votre sécurité et de votre efficacité pendant l'utilisation. Pour davantage d'informations, contactez votre atelier d'entretien.

Remarque: Les législations nationales ou locales peuvent limiter l'utilisation de ce produit.

Présentation du produit K1 PACE

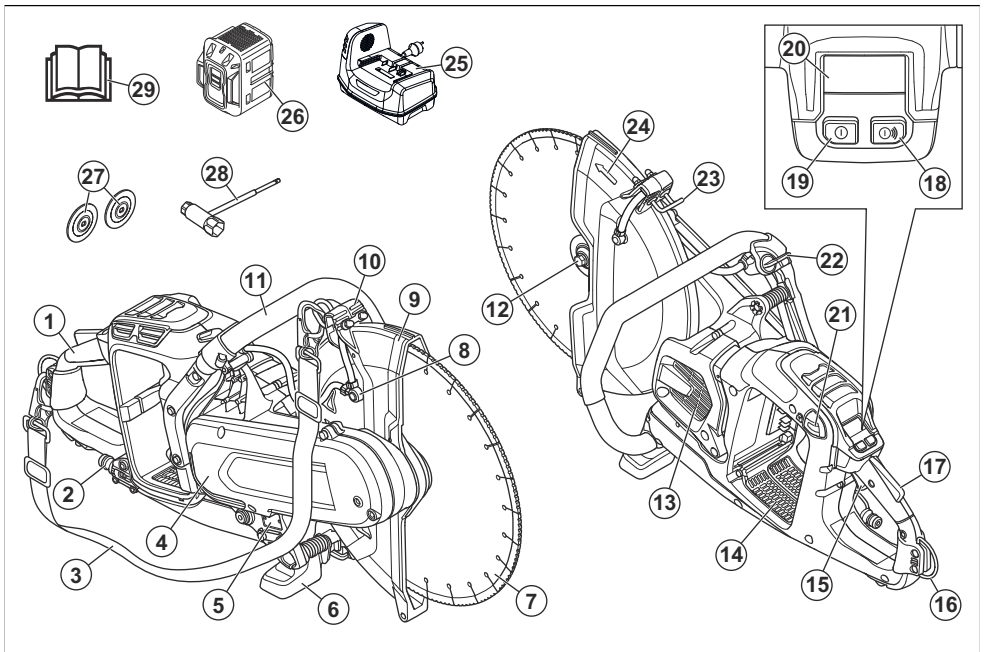


1. Blocage de la gâchette de puissance
2. Gâchette de puissance

3. Buse d'eau
4. Bride pour disque diamanté, broche, bague d'arbre

5. Disque de coupe
6. Carter de disque
7. Poignée de réglage du carter de disque
8. Sens de rotation de la broche
9. Poignée avant
10. Robinet d'eau
11. Panneau de commande
12. Bouton ON/OFF
13. Bouton ON/OFF des accessoires (non utilisé)
14. Poignée arrière
15. Bouton de libération de la batterie
16. Emplacement de la batterie
17. Prise d'air du moteur
18. Protection de courroie
19. Plaque signalétique
20. Bague d'arbre 20 mm (0,8 po)
21. Support de terre avant
22. Raccord d'eau avec filtre
23. Batterie (non fournie)
24. Chargeur de batterie (non inclus)
25. Clé mixte
26. Brides pour disque abrasif à liant
27. Manuel d'utilisation

Présentation du produit K1 PACE Rescue



1. Poignée arrière
2. Raccord d'eau avec filtre
3. Sangle d'épaule
4. Protection de courroie
5. Plaque signalétique
6. Support de terre avant
7. Disque de coupe
8. Buse d'eau
9. Carter de disque
10. Poignée de réglage du carter de disque
11. Poignée avant
12. Bride pour disque diamanté, broche, bague d'arbre
13. Prise d'air du moteur
14. Emplacement de la batterie
15. Gâchette de puissance
16. Support de sangle d'épaule arrière
17. Blocage de la gâchette de puissance
18. Bouton ON/OFF des accessoires (non utilisé)
19. Bouton ON/OFF
20. Panneau de commande
21. Bouton de libération de la batterie
22. Robinet d'eau
23. Support de sangle d'épaule avant
24. Sens de rotation de la broche
25. Chargeur de batterie (non inclus)
26. Batterie (non fournie)

27. Brides pour disque abrasif à liant

28. Clé mixte

29. Manuel d'utilisation

Symboles concernant le produit



ATTENTION : ce produit peut être dangereux et causer des blessures graves, voire mortelles, à l'opérateur ou à d'autres personnes. Soyez prudent et utilisez le produit correctement.



Lisez le manuel d'utilisation et assurez-vous de bien comprendre les instructions avant d'utiliser ce produit.



Utilisez un casque de protection, des protège-oreilles, des protections pour les yeux et une protection respiratoire homologués. Reportez-vous à la section *Équipement de protection individuel* à la page 87.



De la poussière se forme lors de la découpe. La poussière peut occasionner des lésions si elle est inhalée. Portez une protection respiratoire homologuée. Veillez à disposer d'une bonne ventilation.



Les étincelles provenant du disque de coupe peuvent enflammer du carburant, des bois, des vêtements, de l'herbe sèche ou d'autres matériaux inflammables.



AVERTISSEMENT ! Les rebonds peuvent être soudains, rapides et violents et peuvent générer des blessures pouvant être mortelles. Lisez et assimilez les instructions du manuel avant d'utiliser le produit. Reportez-vous à la section *Rebond* à la page 95.



Assurez-vous que le disque de coupe ne présente aucune trace de fissures ou de dommages.



N'utilisez pas de disques d'éclaircissage.



Utilisez uniquement avec un disque diamanté.



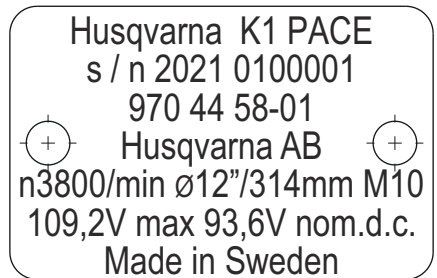
Ce produit est conforme aux directives UE en vigueur.



Marquage environnemental. Le produit ou son emballage ne font pas partie des ordures ménagères. Déposez-le dans un site de recyclage pour équipements électriques et électroniques.

Remarque: Les autres symboles/autocollants présents sur le produit concernent des exigences de certification spécifiques à certains marchés.

Plaque signalétique



Rangée 1 : marque, modèle

Rangée 2 : n° de série avec date de fabrication : année, semaine, n° de séquence

Rangée 3 : n° de produit

Rangée 4 : fabricant

Rangée 5 : n = vitesse nominale de l'arbre de sortie, /min = tours par minute, ø = diamètre du disque, filetage du boulon de broche.

Rangée 6 : tension maximale et nominale, c.c. = courant continu

Rangée 7 : pays d'origine

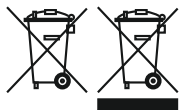
Symboles sur la batterie et/ou son chargeur



AVERTISSEMENT:

ce produit peut être dangereux et causer des blessures graves, voire mortelles, à l'opérateur ou à d'autres personnes. Soyez prudent et utilisez le produit correctement.





Le produit ou son emballage ne font pas partie des ordures ménagères.



Déposez le produit dans un site de recyclage approprié pour équipements électriques et électroniques.



Ne mettez pas la batterie dans l'eau.



Protégez la batterie des rayons directs du soleil, de la chaleur et des flammes nues.



Mise à la terre fonctionnelle.

Connectivité intégrée

Husqvarna Fleet Services™ est une solution de gestion des actifs dans le cloud qui donne un aperçu de tous les produits connectés via des capteurs intégrés ou en pièce détachée au gestionnaire de flotte. La position de la passerelle ou du smartphone peut être utilisée pour indiquer l'emplacement des produits

connectés. Les capteurs enregistrent les données comme la vitesse d'exécution, les intervalles d'entretien et davantage encore. Pour plus d'informations sur la solution de gestion des actifs dans le cloud Husqvarna Fleet Services™, téléchargez l'application iOS ou Android Husqvarna Fleet Services à l'adresse <https://apps.apple.com/se/app/husqvarna-fleet-services/id1334672726> ou <https://play.google.com/store/apps/details?id=com.husqvarna.hfsmobile&hl=en>. Pour plus d'informations, contactez votre représentant commercial Husqvarna.

Certains modèles sont connectés via le capteur Husqvarna Fleet Services™ intégré qui dispose de la fonction Bluetooth Low Energy (BLE). Pour plus d'informations sur son utilisation, reportez-vous à *Pour utiliser la connectivité intégrée avec Fleet à la page 99*. Pour plus d'informations sur le spectre radio de la technologie BLE, reportez-vous à la section *Connectivité intégrée à la page 111*.

Responsabilité

Conformément à la loi sur la responsabilité du fait des produits, nous déclinons toute responsabilité pour tout dommage causé par notre produit si :

- le produit n'est pas correctement réparé ;
- le produit est réparé avec des pièces qui ne proviennent pas du fabricant ou qui ne sont pas homologuées par le fabricant ;
- le produit est équipé d'un accessoire qui ne provient pas du fabricant ou qui n'est pas homologué par le fabricant ;
- le produit n'est pas réparé par un centre d'entretien agréé ou par une autorité homologuée.

Sécurité

Définitions de sécurité

Des avertissements, des recommandations et des remarques sont utilisés pour souligner des parties spécialement importantes du manuel.



AVERTISSEMENT: Symbole utilisé en cas de risque de blessures ou de mort pour l'opérateur ou les personnes à proximité si les instructions du manuel ne sont pas respectées.



REMARQUE: Symbole utilisé en cas de risque de dommages pour le produit, d'autres matériaux ou les environs si les instructions du manuel ne sont pas respectées.

Remarque: Symbole utilisé pour donner des informations supplémentaires pour une situation donnée.

Consignes générales de sécurité relatives à l'outil à moteur



AVERTISSEMENT: Lire toutes les consignes et instructions de sécurité. Le non-respect des consignes et mises en garde peut être à l'origine d'un choc électrique, d'un incendie et/ou de blessures graves.

Remarque: Conservez toutes ces consignes et instructions pour toute consultation ultérieure. Le terme « outil électrique » utilisé dans les avertissements fait référence à l'outil branché sur secteur (fil) ou à l'outil alimenté par batterie (sans fil).

Sécurité dans l'espace de travail

- **Maintenez un espace de travail propre et bien éclairé.** Les espaces encombrés ou sombres exposent à des accidents.
- **N'utilisez pas de machines à usiner dans des atmosphères explosives, en présence de liquides, de gaz ou de poussières inflammables par exemple.** Les machines à usiner provoquent des étincelles qui peuvent enflammer la poussière ou les vapeurs.
- **Tenez les enfants et les spectateurs à distance lorsque la machine à usiner est en marche.** Un moment d'inattention peut vous faire perdre le contrôle.

Sécurité électrique

- **Les fiches des machines à usiner doivent être adaptées à la prise. N'apportez jamais de modifications à la fiche. Ne pas utiliser de fiches d'adaptation avec des machines mises à la terre.** Des fiches non modifiées et des prises compatibles réduisent le risque d'électrocution.
- **Éviter tout contact physique avec les surfaces mises à la terre telles que les tuyaux, les radiateurs, les cuisinières et les réfrigérateurs.** Le risque d'électrocution est plus important si le corps est relié à la terre.
- **Ne pas exposer les outils électriques à la pluie ou à l'humidité.** L'infiltration d'eau dans un outil électrique augmente le risque d'électrocution.
- **Ne malmenez pas le cordon. N'utilisez jamais le cordon pour porter, tirer ou débrancher la machine. Maintenez le cordon d'alimentation à l'écart de la chaleur, de bords tranchants ou de pièces en mouvement.** Les cordons endommagés ou emmêlés augmentent le risque d'électrocution.
- **Lorsqu'une machine à usiner est utilisée à l'extérieur, installez une rallonge adaptée à un usage extérieur.** L'utilisation d'un cordon d'alimentation pour usage extérieur réduit le risque d'électrocution.
- **Si vous n'avez d'autre choix que d'utiliser un outil électrique dans un endroit humide, utilisez une alimentation protégée par un disjoncteur différentiel (RCD).** L'utilisation d'un RCD réduit le risque d'électrocution.



AVERTISSEMENT: Ne lavez pas la machine avec de l'eau sous pression. Celle-ci pourrait s'infiltrer dans le système électrique ou le moteur et endommager la machine ou provoquer un court-circuit.

Sécurité du personnel

- **Restez attentif, regardez ce que vous faites et ayez recours à votre bon sens lorsque vous utilisez un outil électrique. N'utilisez pas d'outil électrique si vous êtes fatigué ou si vous êtes sous l'emprise de drogues, d'alcool ou de médicaments.** Un moment d'inattention pendant l'utilisation des outils

électriques peut entraîner des blessures corporelles graves.

- **Utilisez un équipement de protection personnelle. Travaillez toujours avec des lunettes de protection.** Les équipements de protection tels que les masques anti-poussières, les chaussures de sécurité antidérapantes, le casque ou les protège-oreilles utilisés dans les conditions qui conviennent réduisent les blessures corporelles.
- **Évitez tout démarrage intempestif. Vérifiez que l'interrupteur est en position d'arrêt avant de brancher l'outil sur l'alimentation et/ou la batterie, de le ramasser ou de le transporter.** Transporter des outils électriques avec votre doigt sur l'interrupteur ou en mettant en marche des outils électriques dont l'interrupteur est allumé peut être source d'accidents.
- **Retirez toute clé ou clavette de calage avant de mettre la machine à usiner sous tension.** Une clé ou une clavette reliée à une pièce mobile de la machine à usiner peut entraîner des blessures corporelles.
- **Ne vous éloignez pas trop. Restez toujours en équilibre et sur vos appuis.** Cela favorise le contrôle de la machine à usiner dans les situations inattendues.
- **Habillez-vous correctement. Ne portez jamais de vêtements amples ou de bijoux. Éloignez vos cheveux, vêtements et gants des pièces mobiles.** Les vêtements amples, les bijoux et les cheveux longs peuvent être happés par les pièces en mouvement.
- **Si des dispositifs sont fournis pour raccorder des systèmes de collecte et d'extraction de la poussière, vérifiez qu'ils sont correctement branchés et utilisés.** L'utilisation de systèmes de collecte de poussière peut réduire les risques associés à la poussière.
- **La connaissance des outils, acquise par l'usage fréquent de ces derniers, ne doit pas vous dispenser d'être prudent et d'appliquer les principes de sécurité.** Une action inconsidérée peut provoquer de graves blessures en une fraction de seconde.
- **Les émissions de vibrations durant l'utilisation de l'appareil peuvent différer de la valeur totale déclarée en fonction de la manière dont l'outil est utilisé.** En vue de se protéger, les opérateurs devraient établir des mesures de sécurité basées sur une estimation de leur exposition dans les conditions d'utilisation réelles (en tenant compte de toutes les phases du cycle opératoire, comme, par exemple, lorsque l'outil est éteint et lorsqu'il fonctionne en mode ralenti ou au gaz).
- **Tenez-vous à distance de la lame lorsque le moteur tourne.**

Utilisation et entretien de la machine à usiner

- **Ne forcez pas sur la machine à usiner. Utilisez la machine à usiner qui convient à l'application.** La machine qui convient réalisera mieux son travail et

de façon plus sûre, à la vitesse pour laquelle elle a été conçue.

- **N'utilisez pas la machine à usiner si l'interrupteur ne permet pas la mise sous tension ou l'arrêt.** Toute machine à usiner impossible à commander avec l'interrupteur est dangereuse et doit être réparée.
- **Débrancher la fiche de la prise et/ou du bloc d'alimentation avant de procéder aux réglages, de changer les accessoires ou de stocker la machine.** Ces mesures de sécurité préventive réduisent le risque de mise sous tension accidentelle de la machine à usiner.
- **Rangez les machines à usiner hors de la portée des enfants et ne pas laisser des personnes qui ne connaissent pas la machine ou ces consignes utiliser l'appareil.** Les machines à usiner sont dangereuses si elles sont entre les mains d'utilisateurs non formés.
- **Entretenez les machines à usiner. Vérifier le mauvais alignement ou la fixation des pièces mobiles, l'éventuelle rupture des pièces ou toute autre condition susceptible d'altérer le fonctionnement de la machine. Si elle est endommagée, la machine à usiner doit être réparée avant toute réutilisation.** De nombreux accidents sont dus à des machines mal entretenues.
- **Maintenez les outils tranchants aiguisés et propres.** Des outils tranchants correctement entretenus avec des bords aiguisés sont moins susceptibles de se coincer et sont plus faciles à contrôler.
- **Utiliser la machine à usiner, les accessoires, les grains, etc. en suivant ces consignes et en tenant compte des conditions de travail et de la tâche à réaliser.** Il est dangereux d'utiliser l'outil électrique pour tout autre usage que celui prévu.
- **Les poignées et les surfaces de maintien doivent toujours être propres, sèches et sans traces d'huile ni de graisse.** Les poignées et les surfaces de maintien glissantes ne permettent pas une manipulation et un contrôle sûrs de l'outil dans des situations inattendues.
- **Vous ne devez en aucun cas modifier la conception d'origine de la machine sans l'approbation du fabricant.** Utilisez toujours les pièces de rechange d'origine. Les modifications et accessoires non autorisés peuvent entraîner des blessures graves, voire mortelles à l'utilisateur ou aux autres personnes présentes.
- **Assurez-vous qu'aucun tuyau ou câble électrique ne passe par la zone de travail ou dans le matériau à découper.**
- **Vérifiez et repérez toujours l'emplacement des tuyaux de gaz.** La coupe près de conduites de gaz entraîne toujours un danger. Assurez-vous qu'aucune étincelle n'est créée lors de la coupe, en raison du risque d'explosion. Restez concentré sur la tâche. Toute négligence peut causer de graves blessures ou être fatale.

Utilisation et entretien d'un outil à batterie

- **Ne rechargez la machine qu'avec le chargeur indiqué par le fabricant.** Un chargeur convenant à un type de bloc de batteries particulier peut entraîner un risque d'incendie s'il est utilisé avec un autre bloc.
- **N'utilisez des outils à moteur qu'avec des blocs de batteries spécifiquement désignés.** L'utilisation d'une autre batterie peut entraîner un risque de blessure et d'incendie.
- **Lorsque la batterie n'est pas utilisée, maintenez-la à distance d'objets métalliques, tels que des trombones, pièces de monnaie, clés, clous, vis, ou autres petits objets en métal risquant de relier une borne à l'autre.** Court-circuiter les bornes de batterie entraîne un risque de brûlures et d'incendie.
- **En cas d'utilisation abusive, du liquide peut s'échapper de la batterie ; évitez tout contact. En cas de contact accidentel, rincez à l'eau. En cas de contact avec les yeux, consultez un médecin.** Le liquide échappé de la batterie peut causer irritations et brûlures.
- **N'utilisez pas un bloc batterie ou un outil endommagé ou modifié.** Les batteries endommagées ou modifiées peuvent présenter un comportement imprévisible pouvant provoquer un incendie, une explosion ou un risque de blessure.
- **N'exposez pas un bloc batterie ou un outil au feu ou à des températures trop élevées.** L'exposition au feu ou à des températures supérieures à 130 °C / 265 °F peut provoquer une explosion.
- **Respectez toutes les instructions de charge et ne chargez pas le bloc batterie ou l'outil en dehors de la plage de température spécifiée dans les instructions.** Ne pas charger la batterie correctement ou la charger à des températures comprises en dehors de la plage spécifiée peut endommager la batterie et augmenter le risque d'incendie.

Entretien

- **Confiez l'entretien de votre outil électrique à un mécanicien qualifié qui utilisera uniquement des pièces de rechange identiques.** Cela permet de garantir la sécurité de la machine.
- **Ne jamais entretenir des batteries endommagées.** L'entretien des batteries doit être effectué uniquement par le fabricant ou des fournisseurs de services agréés.

Avertissement de sécurité concernant la découpeuse

- **Le dispositif de protection fourni avec l'outil doit être correctement fixé à l'appareil électrique et positionné de façon à garantir un niveau de sécurité optimal : le disque doit être le moins exposé possible côté opérateur. Assurez-vous que personne, y compris vous-même, ne se trouve dans la trajectoire du disque en rotation.** La protection permet de protéger

l'opérateur des projections de fragments de disque et de tout contact accidentel avec le disque.

- **Utilisez uniquement des disques de découpe diamantés ou renforcés en aggloméré conçus pour votre outil électrique.** Ce n'est pas parce qu'un accessoire peut être fixé à votre outil électrique qu'il garantit une sécurité de fonctionnement.
- **La vitesse nominale de l'accessoire doit être au moins égale à la vitesse maximale indiquée sur l'outil électrique.** Les accessoires dont la rotation est supérieure à leur vitesse nominale peuvent se casser et être projetés.
- **Lors de l'utilisation des disques, veuillez respecter systématiquement les applications recommandées. Par exemple, ne meulez pas avec le côté du disque de découpe.** Les disques abrasifs étant conçus pour le meulage périphérique, les forces latérales appliquées à ces disques peuvent les briser en plusieurs morceaux.
- **Utilisez toujours des flasques de disque en bon état dont le diamètre est adapté au disque.** Lorsque le porte-flasque est adapté au disque, il soutient ce dernier, réduisant ainsi le risque de casse.
- **N'utilisez pas de disques renforcés usés d'outils électriques de plus grande taille.** Les disques prévus pour un outil électrique de plus grande taille ne conviennent pas à la vitesse supérieure d'un outil de plus petite taille et peuvent se briser.
- **Le diamètre extérieur et l'épaisseur de l'accessoire doivent correspondre à la capacité nominale de l'outil électrique.** Si la taille des accessoires n'est pas adaptée, ces derniers ne peuvent pas être correctement protégés ou contrôlés.
- **La taille d'alésage des disques et des flasques doit correspondre à la broche de l'outil électrique.** Les disques et les flasques dont l'alésage ne correspond pas au matériel de fixation de l'outil électrique seront déséquilibrés, vibreront de façon excessive et entraîneront une perte de contrôle.
- **N'utilisez pas de disques endommagés. Avant chaque utilisation, vérifiez que les disques ne sont ni ébréchés ni fissurés. En cas de chute de l'outil ou du disque, vérifiez qu'il n'est pas endommagé et remplacez-le, le cas échéant. Après avoir inspecté et posé le disque, assurez-vous que personne, y compris vous-même, ne se trouve dans la trajectoire du disque en rotation, et faites tourner l'outil électrique à la vitesse maximale et sans charge pendant une minute.** Les disques endommagés doivent normalement se casser durant ce test.
- **Portez un équipement de protection personnelle. Selon le type d'application, portez un masque, des lunettes de protection ou des lunettes de sécurité. Le cas échéant, portez un masque anti-poussière, un protège-oreilles, des gants et un tablier d'atelier capables d'arrêter des petits fragments provenant de la pièce à découper.** Les protections pour les yeux doivent être capables d'arrêter des projections de débris générés par diverses opérations. Le masque anti-poussières ou le masque respiratoire doit être

capable de filtrer des particules générées lors de l'utilisation de l'outil. Une exposition prolongée à un bruit de forte intensité peut engendrer une perte auditive.

- **Demandez aux autres personnes présentes de se tenir à une distance de sécurité suffisante de la zone de travail. Toute personne pénétrant dans la zone de travail doit porter un équipement de protection individuel.** Les fragments de la pièce à découper ou d'un disque cassé peuvent être projetés et provoquer des blessures au-delà de la zone de travail immédiate.
- **Lorsque l'accessoire de coupe risque d'entrer en contact avec un câble électrique non apparent, tenez l'outil électrique uniquement par les surfaces de prise isolées.** Si l'accessoire de coupe entre en contact avec un câble sous tension, il risque de mettre sous tension les parties métalliques exposées de l'outil électrique, ce qui pourrait envoyer un choc électrique à l'utilisateur.
- **Placez le cordon à l'écart de l'accessoire en rotation.** Si vous perdez le contrôle, le cordon peut être coupé ou accroché et votre main ou votre bras peut être tiré dans le disque en rotation.
- **Ne posez jamais l'outil tant que l'accessoire ne s'est pas complètement immobilisé.** Le disque en rotation peut accrocher la surface et entraîner du même coup une perte de maîtrise de l'outil.
- **Coupez l'outil électrique dès que vous ne vous en servez plus.** L'accessoire en rotation peut se prendre par inadvertance dans vos vêtements et rentrer dans votre corps.
- **Nettoyez régulièrement les événements d'aération de l'appareil électrique.** En effet, le ventilateur du moteur aspire la poussière dans le carter et l'accumulation excessive de poudre de métal peut entraîner des dangers électriques.
- **Ne faites pas fonctionner l'outil électrique à proximité de matériaux inflammables.** Des étincelles pourraient s'enflammer ces matériaux.

Effet de rebond et avertissements associés

- **L'effet de rebond est une réaction soudaine qui se produit lorsque le disque en rotation se coince ou s'accroche à un élément.** Cela entraîne le calage immédiat du disque en rotation qui à son tour entraîne la perte de contrôle de l'outil électrique, qui repart dans le sens inverse du mouvement de rotation du disque, au niveau du grippage.
- **Par exemple, si un disque abrasif est endommagé ou coincé par la pièce à découper, le bord du disque qui pénètre dans le point de pincement peut s'enfoncer dans la surface du matériau, entraînant ainsi la sortie ou le rebond du disque.** En fonction du sens de rotation du disque au point de pincement, le disque peut soit se rapprocher, soit s'éloigner de l'opérateur. Les disques abrasifs peuvent également se rompre dans ces conditions.

- **Un rebond est le résultat de conditions inappropriées, d'une procédure incorrecte ou d'une mauvaise utilisation de l'outil électrique, et peut être évité en prenant les précautions suivantes :**
- **Tenez fermement l'outil électrique et placez votre corps et vos bras de manière à résister à la force d'un éventuel rebond.** Utilisez toujours une poignée auxiliaire, le cas échéant, pour contrôler de façon optimale un rebond ou une reprise de couple lors du démarrage. Vous pouvez contrôler les réactions de couple ou les forces de rebond si vous prenez les bonnes précautions.
- **Ne mettez jamais la main à proximité de l'accessoire en rotation.** L'accessoire peut rebondir sur votre main.
- **Ne placez pas votre corps dans l'alignement du disque en rotation.** Les rebonds propulsent l'outil dans le sens opposé au mouvement du disque, au niveau du point de grippage.
- **Soyez particulièrement vigilant au niveau des angles, des bords tranchants, etc.** Évitez de faire tressauter et d'accrocher l'accessoire. Les angles, les bords tranchants ou les tressautements ont tendance à accrocher l'accessoire en rotation, entraînant ainsi une perte de contrôle ou un rebond.
- **Ne fixez pas de chaîne, de lame à sculpter le bois ou de disque à segments en diamant si l'écart périphérique est supérieur à 10 mm ou avec une lame d'éclaircissage à dents.** Ces types de lame provoquent fréquemment des effets de rebond et une perte de contrôle.
- **Évitez de coincer la lame ou d'appliquer une pression excessive.** N'essayez pas de couper trop profondément. Un travail trop intense augmente la charge de l'outil et peut forcer le disque à se tordre ou à se coincer dans l'entaille, entraînant ainsi un risque d'effet de rebond ou de rupture du disque.
- **Lorsque le disque se coince ou lorsque vous interrompez le travail pour une raison quelconque, coupez le contact et gardez l'outil électrique immobile jusqu'à l'arrêt complet du disque.** N'essayez jamais de retirer le disque de l'entaille lorsqu'il est en mouvement, sous peine de générer un rebond. Identifiez et corrigez la cause du pincement du disque.
- **Ne reprenez pas la coupe avec l'outil engagé dans la pièce à découper.** Laissez le disque atteindre sa pleine vitesse avant de reprendre prudemment la découpe. Le disque peut se plier, remonter sur la pièce à découper ou effectuer un rebond si vous redémarrez l'outil électrique alors qu'il est engagé dans la pièce.
- **Soutenez les panneaux et les pièces à découper trop grandes pour réduire au maximum le risque de pincement du disque ou l'effet de rebond.** Les pièces trop grandes ont tendance à ployer sous leur propre poids. Des dispositifs de soutien doivent être placés sous la pièce, près de la ligne de découpe et près de bords de la pièce de chaque côté du disque.

- **Redoublez de prudence lorsque vous effectuez une « découpe d'ouverture » dans des murs existants ou d'autres zones aveugles.** Le disque qui dépasse peut couper des tuyaux de gaz ou d'eau, des câbles électriques ou des objets qui pourraient provoquer un rebond.

Instructions générales de sécurité



AVERTISSEMENT: Lisez les instructions qui suivent avant d'utiliser le produit.

- Une découpeuse utilisée de manière erronée ou négligemment peut être un outil dangereux pouvant occasionner des blessures graves, voire mortelles. Il importe donc de lire attentivement et de bien assimiler le contenu de ce manuel d'utilisation. Il est également recommandé aux nouveaux opérateurs d'obtenir également des instructions pratiques avant d'utiliser le produit.
- Ne modifiez pas ce produit. Les modifications apportées au produit qui ne sont pas approuvées par le fabricant peuvent causer des blessures graves, voire mortelles.
- N'utilisez pas le produit s'il est susceptible d'avoir été modifié par d'autres personnes.
- Utilisez toujours les accessoires et les pièces de rechange d'origine. Les accessoires et les pièces de rechange qui ne sont pas approuvés par le fabricant peuvent causer des blessures graves, voire mortelles.
- Maintenez le produit propre. Assurez-vous que vous pouvez lire clairement les avertissements et les autocollants.
- Ne laissez jamais d'enfants ou d'autres personnes ne possédant pas la formation requise utiliser ou entretenir le produit.
- Ne laissez personne utiliser le produit avant d'avoir lu et compris le contenu du manuel de l'opérateur.
- Seules les personnes autorisées peuvent utiliser le produit.
- La distance de sécurité de la découpeuse est de 15 m/50 pi. Assurez-vous que des animaux et des personnes situées à proximité ne se trouvent pas dans la zone de travail.
- Ce produit génère un champ électromagnétique durant son fonctionnement. Ce champ peut dans certaines circonstances perturber le fonctionnement d'implants médicaux actifs ou passifs. Pour réduire le risque de blessures graves ou mortelles, nous recommandons aux personnes portant des implants médicaux de consulter leur médecin et le fabricant de leur implant avant d'utiliser cet appareil.
- Les informations contenues dans ce manuel d'utilisation ne remplacent pas l'expérience et le savoir-faire d'un professionnel. En cas de doute ou de difficulté quant à l'utilisation de la machine, consultez un spécialiste. Contactez votre atelier d'entretien. L'utilisateur ne doit pas essayer d'utiliser

la machine s'il ne se sent pas suffisamment qualifié pour le travail à effectuer.

Consignes de sécurité relatives à l'utilisation de la batterie



AVERTISSEMENT: Lisez les instructions qui suivent avant d'utiliser le produit.



AVERTISSEMENT: Une batterie endommagée peut exploser et causer des blessures. Si la batterie présente une déformation ou est endommagée, contactez un agent d'entretien Husqvarna agréé.

- Utilisez uniquement les batteries Husqvarna PACE que nous recommandons pour votre produit. Les batteries sont codées par logiciel.
- Utilisez uniquement des batteries d'origine pour ce produit. Il existe un risque d'explosion si les batteries sont remplacées par un type de batterie incorrect. Pour davantage d'informations, contactez votre revendeur.
- Utilisez les batteries Husqvarna PACE rechargeables comme source d'alimentation pour les produits Husqvarna associés uniquement. Afin d'éviter toute blessure, n'utilisez pas la batterie comme source d'alimentation pour d'autres produits.
- Risque de choc électrique. Ne branchez pas les bornes de la batterie à des clés, des vis ou tout autre élément métallique. Cela peut provoquer un court-circuit de la batterie.
- En cas de fuite de la batterie, ne laissez pas le liquide entrer en contact avec votre peau, vos vêtements ou le produit. Si vous touchez le liquide, nettoyez la zone avec beaucoup d'eau claire et contactez un médecin.
- Portez des lunettes de protection lorsque vous êtes à proximité des batteries. Si vous recevez du liquide dans les yeux, ne les frottez pas ; rincez-les abondamment à l'eau pendant au moins 15 minutes. Consultez un médecin.
- N'utilisez pas de batteries non rechargeables.
- Ne modifiez pas la batterie.
- Ne placez pas d'objets dans les fentes d'aération de la batterie.
- Protégez la batterie des rayons directs du soleil, de la chaleur et des flammes nues. La batterie peut provoquer une explosion, des brûlures et/ou des brûlures chimiques.
- Protégez la batterie de la pluie et de l'humidité.
- Protégez la batterie des micro-ondes et des hautes pressions.
- N'essayez pas de démonter ou de casser la batterie.
- N'utilisez la batterie que si la température ambiante est comprise entre -5 °C (23 °F) et 40 °C (104 °F).

- Ne nettoyez pas la batterie ou le chargeur de batterie avec de l'eau. Reportez-vous à la section *Pour nettoyer la batterie et le chargeur de batterie à la page 105*.
- N'utilisez pas de batterie défectueuse ou endommagée.
- Conservez les batteries en stock à distance des objets métalliques, tels que clous, vis ou bijoux.
- Tenez les batteries hors de portée des enfants.
- Fixez la batterie de manière appropriée. Une batterie mal attachée peut provoquer un court-circuit.

Consignes de sécurité relatives au chargeur de batterie



AVERTISSEMENT: Lire toutes les consignes et instructions de sécurité. Le non-respect des consignes et mises en garde peut être à l'origine d'un choc électrique, d'un incendie et/ou de blessures graves.

- Risque de choc électrique ou de court-circuit si les instructions de sécurité ne sont pas respectées.
- N'utilisez pas d'autres chargeurs de batterie que celui fourni pour votre produit. Utilisez uniquement les chargeurs de batterie Husqvarna 100-C900X ou 100-C1800X pour charger les batteries PACE Husqvarna d'origine.
- N'essayez pas de démonter le chargeur de batterie.
- N'utilisez pas de chargeur de batterie défectueux ou endommagé.
- Ne soulevez pas le chargeur de batterie par le cordon d'alimentation. Pour débrancher le chargeur de batterie d'une prise d'alimentation secteur, tirez sur la fiche. Ne tirez pas le cordon d'alimentation.
- Conservez tous les câbles et toutes les rallonges loin de l'eau, de l'huile et des bords tranchants. Veillez à ce que le câble ne soit pas coincé dans des portes, des clôtures ou tout autre équipement similaire.
- N'utilisez pas le chargeur de batterie à proximité de matériaux inflammables ou de matériaux pouvant provoquer la formation de corrosion. Assurez-vous que le chargeur de batterie n'est pas couvert. En cas de dégagement de fumée ou de début d'incendie, débranchez aussitôt la fiche reliée au chargeur de batterie.
- Rechargez la batterie uniquement en intérieur, dans un endroit bien aéré et à l'abri de la lumière. Ne chargez pas la batterie à l'extérieur. Ne rechargez pas la batterie dans des conditions humides.
- Chargez la batterie uniquement lorsque la température ambiante est comprise entre 5 °C (41 °F) et 40 °C (104 °F). Utilisez le chargeur dans un environnement bien ventilé, sec et exempt de poussière.
- Ne placez pas d'objets dans les fentes d'aération du chargeur de batterie.

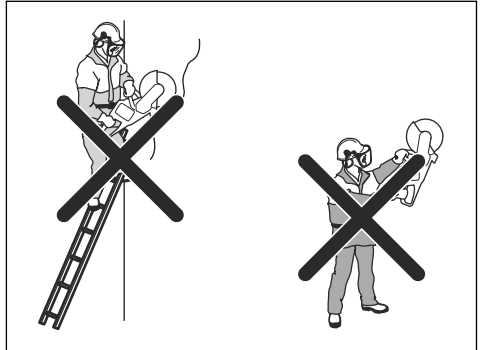
- Ne raccordez pas les bornes du chargeur de batterie à des objets métalliques car cela peut court-circuiter le chargeur de batterie.
- Ne chargez pas de batteries non rechargeables dans le chargeur de batterie et ne les utilisez pas dans la machine.
- Utilisez des prises homologuées et non endommagées.

- N'utilisez pas ce produit au-dessus de la hauteur des épaules.

Consignes de sécurité pour le fonctionnement



AVERTISSEMENT: Lire toutes les consignes et instructions de sécurité. Le non-respect des consignes et mises en garde peut être à l'origine d'un choc électrique, d'un incendie et/ou de blessures graves.



- Si vous ne faites pas attention, le risque de rebond augmente.

- Ne découpez pas de matériaux en amiante.
- Lors d'une découpe à sec, assurez-vous que la poussière est retirée en toute sécurité.
- Les informations contenues dans ce manuel ne remplacent pas l'expérience et le savoir-faire d'un professionnel. Si vous ne vous sentez pas en sécurité dans une situation donnée, arrêtez le produit. N'utilisez pas ce produit dans des configurations que vous ne maîtrisez pas.
- Demandez conseil à votre atelier d'entretien ou Husqvarna pour toute question relative au fonctionnement du produit. Nous pouvons vous donner des conseils sur la manière d'utiliser votre produit efficacement et en toute sécurité.
- N'utilisez jamais un produit, une batterie ou un chargeur de batterie défectueux.
- Ne touchez jamais la lame de coupe lorsqu'elle tourne. Cela peut causer des blessures graves, voire mortelles.
- N'utilisez pas le produit par mauvais temps : brouillard épais, pluie diluvienne, vent violent ou grand froid. Le mauvais temps accroît les risques (sol verglacé, etc.).
- Démarrez le produit uniquement si tous les carters et protections sont correctement montés.
- Observez bien la zone de travail. Assurez-vous qu'aucune personne ou aucun animal ne risque d'affecter ou d'influencer votre maîtrise du produit.
- Mettez le produit hors de portée des enfants et ne laissez pas ces derniers l'utiliser. Le produit démarre facilement. Ceci peut entraîner un risque de graves blessures.
- Retirez la batterie lorsque vous n'avez pas une vision complète du produit. Retirez la batterie si vous remisez le produit pendant une longue période.
- Vous devez être bien campé sur vos pieds pour avoir une maîtrise totale du produit. N'utilisez pas ce produit si vous vous trouvez sur une échelle. N'utilisez pas ce produit si vous n'êtes pas sur un sol stable.



- N'utilisez pas le produit d'une seule main. Il n'est pas possible de contrôler correctement ce produit d'une seule main.
- N'utilisez pas le produit si vous ne pouvez pas bénéficier d'aide en cas d'accident.
- Assurez-vous de pouvoir vous déplacer en toute sécurité. Examinez les conditions et le terrain autour de vous pour repérer d'éventuels obstacles.
- une exposition excessive aux vibrations peut entraîner des troubles circulatoires ou nerveux chez les personnes sujettes à des troubles cardio-vasculaires. Consultez un médecin en cas de symptômes liés à une exposition excessive aux vibrations. De tels symptômes peuvent être : engourdissement, perte de sensibilité, chatouillements, picotements, douleur, faiblesse musculaire, décoloration ou modification épidermique. Ces symptômes affectent généralement les doigts, les mains ou les poignets. Ces symptômes peuvent être accentués par le froid.
- Il est impossible de mentionner toutes les situations auxquelles vous pouvez être confronté pendant l'utilisation de ce produit. Soyez toujours prudent et utilisez votre bon sens.

- **Remarque:** une fois le tronçonnage terminé, veuillez retirer les protège-oreilles immédiatement afin que tout bruit ou signal d'avertissement puisse être entendu.

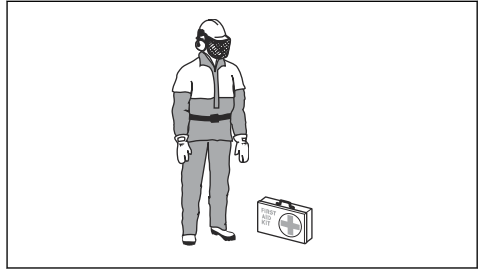
Équipement de protection individuel



AVERTISSEMENT: Lisez les instructions qui suivent avant d'utiliser le produit.

- Portez toujours un équipement de protection individuel homologué pendant le fonctionnement. L'équipement de protection individuelle n'élimine pas les risques mais réduit la gravité des blessures en cas d'accident. Demandez conseil à votre atelier d'entretien afin de choisir un équipement adéquat.
- Utilisez un casque de protection homologué.
- Utilisez des protège-oreilles agréés. Une exposition prolongée au bruit risque de causer des lésions auditives permanentes. Soyez attentif aux signaux ou cris d'avertissement lorsque vous portez des protège-oreilles. Enlevez-les toujours dès que le moteur s'arrête.
- Portez des lunettes de protection approuvées afin de réduire le risque de blessures provoquées par des objets projetés. L'utilisation d'un écran facial doit toujours s'accompagner du port de lunettes de protection homologuées. Par lunettes de protection homologuées, on entend celles qui sont en conformité avec les normes ANSI Z87.1 (États-Unis) ou EN 166 (pays de l'UE). La visière doit être conforme à la norme EN 1731.
- Utilisez des gants de travail épais.
- Portez une protection respiratoire homologuée. L'utilisation de produits tels que les fraises, les meuleuses ou les foreuses pour poncer ou découper un matériau peut produire de la poussière et des vapeurs susceptibles de contenir des substances chimiques dangereuses. Vérifiez la nature du matériau que vous souhaitez travailler et utilisez un masque respiratoire approprié.
- Portez des vêtements confortables, robustes et serrés qui permettent une liberté totale de mouvement. La découpe crée des étincelles qui peuvent enflammer les vêtements. Husqvarna vous recommande de porter du coton ignifugé ou du denim épais. Ne portez pas de vêtements composés de matières comme le nylon, le polyester ou la rayonne. Si elles s'enflamment, ces matières peuvent fondre et adhérer à la peau. Ne portez pas de short.
- Utilisez des bottes avec embouts en acier et semelle antidérapante.

- Ayez toujours une trousse de premiers secours à portée de mains.



- Des étincelles peuvent être projetées par la lame de coupe. Ayez toujours un extincteur à portée de mains.

Dispositifs de sécurité sur le produit

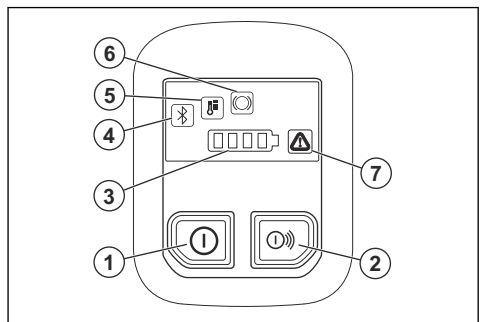


AVERTISSEMENT: Lisez les instructions qui suivent avant d'utiliser le produit.

- N'utilisez pas un produit avec des dispositifs de sécurité défectueux.
- Contrôlez les dispositifs de sécurité régulièrement. Si les dispositifs de sécurité sont défectueux, parlez-en à votre agent d'entretien Husqvarna homologué.
- Ne modifiez pas les dispositifs de sécurité.
- N'utilisez pas le produit si des plaques de protection, des capots de protection, des interrupteurs de sécurité ou d'autres dispositifs de protection ne sont pas fixés ou sont défectueux.

Fonctions de l'interface utilisateur

Ce manuel d'utilisation décrit les fonctions du panneau de commande du produit. Le panneau de commande permet de contrôler les fonctions et configurations importantes du produit. Voir *Dépannage du produit à la page 107* pour accéder à des solutions concernant les avertissements.

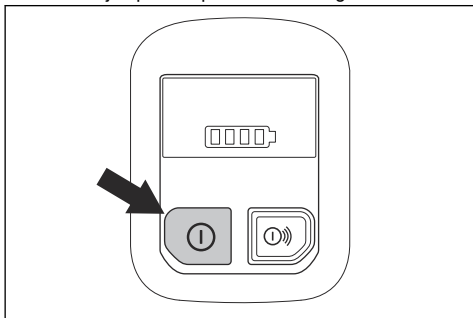


1. Bouton On/Off.
2. Bouton On/Off des accessoires (non utilisé).

3. Indicateur d'état de la batterie.
4. Bluetooth®. Reportez-vous à la section *Bluetooth® technologie sans fil* à la page 99.
5. Témoin d'avertissement de température, élevée ou basse. Reportez-vous à la section *Dépannage du produit* à la page 107.
6. Avertissement X-Halt. Reportez-vous à la section *Dépannage du produit* à la page 107
7. Témoin d'erreur/d'avertissement. Reportez-vous à la section *Dépannage du produit* à la page 107.

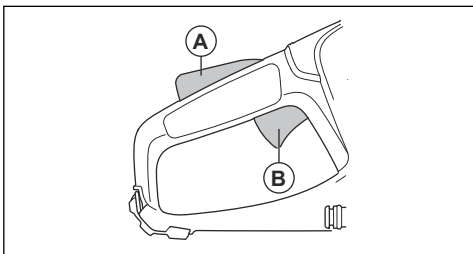
Pour contrôler le panneau de commande

1. Appuyez sur le bouton On/Off et maintenez-le enfoncé jusqu'à ce que la LED s'allume. Reportez-vous à la section *Pour démarrer le produit* à la page 102.
2. Appuyez sur le bouton On/Off et maintenez-le enfoncé jusqu'à ce que la LED s'éteigne.



Blocage de la gâchette de puissance

Le blocage de la gâchette de puissance empêche toute activation accidentelle de cette dernière. Placez votre main dans la poignée et appuyez sur le blocage de la gâchette de puissance (A) pour libérer la gâchette (B). Relâchez la poignée pour remettre la gâchette de puissance et son blocage en position initiale.



Fonction d'arrêt automatique

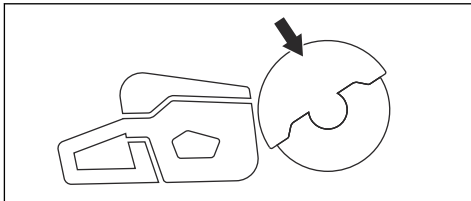
Le produit est doté d'une fonction d'arrêt automatique qui l'arrête si vous ne l'utilisez pas pendant 3 minutes.

Cartier de disque



AVERTISSEMENT: Assurez-vous que le carter de disque est fixé correctement avant de démarrer le produit. N'utilisez pas le produit si le carter de disque manque, s'il est défectueux ou s'il présente des fissures.

Le carter de disque est installé au-dessus du disque de coupe. Le carter de disque empêche de se blesser si des pièces du disque ou des pièces du matériau découpé sont projetées en direction de l'opérateur.



Contrôle de la lame et du protège-lame

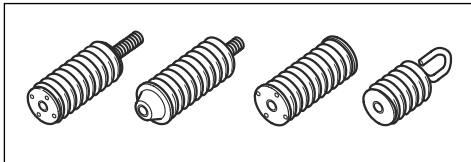


AVERTISSEMENT: une lame de coupe endommagée peut causer des blessures.

1. Vérifiez également que la lame de coupe est correctement montée et qu'elle ne présente aucun signe d'endommagement.
2. Assurez-vous que le protège-lame ne présente aucune fissure et qu'il n'est pas endommagé.
3. Remplacez le protège-lame s'il est endommagé.

Système anti-vibrations

Le produit est équipé d'un système anti-vibrations conçu pour assurer une utilisation aussi confortable que possible. Le système anti-vibrations du produit réduit la transmission des vibrations de l'unité moteur/ l'équipement de coupe à l'unité que constituent les poignées.



Pour contrôler le système anti-vibrations



AVERTISSEMENT: Assurez-vous que le moteur est éteint et que la batterie est déconnectée.

1. Assurez-vous que les dispositifs anti-vibrations ne sont pas fissurés ni déformés. Remplacez le système d'amortissement des vibrations s'ils sont endommagés.
2. Assurez-vous que les dispositifs anti-vibrations sont fixés correctement sur le moteur et les poignées.

Précautions relatives aux vibrations



AVERTISSEMENT: Lisez les instructions qui suivent avant d'utiliser le produit.

- Au cours de l'utilisation du produit, des vibrations sont ressenties entre le produit et l'opérateur. Un fonctionnement régulier et fréquent du produit peut blesser ou augmenter le risque de blessures graves chez l'opérateur. Des blessures peuvent se produire au niveau des doigts, des mains, des poignets, des bras, des épaules, et/ou des nerfs et des organes d'irrigation sanguine, ou d'autres parties du corps. Les blessures peuvent être invalidantes et/ou permanentes et peuvent augmenter progressivement pendant des semaines, des mois ou des années. Des dommages peuvent également être provoqués au niveau du système de circulation sanguine, du système nerveux, des articulations et d'autres parties du corps.
- Des symptômes peuvent se produire pendant le fonctionnement du produit ou à un autre moment. Si vous avez des symptômes et que vous continuez d'utiliser le produit, ceux-ci peuvent augmenter ou devenir permanents. Si l'un de ces symptômes ou d'autres symptômes se produisent, consultez un médecin :
 - engourdissement, perte de sensibilité, fourmillements, picotements, douleur, brûlure, palpitations, raideur, maladresse, faiblesse musculaire, changement de pigmentation de la peau ou de l'état physique.
- Les symptômes peuvent augmenter par temps froid. Utilisez des vêtements chauds et gardez les mains au chaud et au sec lorsque vous faites fonctionner le produit dans un environnement froid.
- Procédez à l'entretien et utilisez le produit comme indiqué dans le manuel d'utilisation afin de maintenir un bon niveau de vibrations.
- Le produit est doté d'un système anti-vibrations qui réduit les vibrations entre les poignées et l'opérateur. Laissez le produit faire le travail. N'appuyez pas fortement sur le produit. Tenez légèrement le produit au niveau des poignées, mais assurez-vous que vous pouvez le contrôler et l'utiliser en toute sécurité. Ne poussez pas les poignées dans les butées plus que nécessaire.
- Gardez uniquement les mains sur les poignées. Éloignez toutes les autres parties du corps du produit.
- Arrêtez le produit immédiatement si de fortes vibrations se produisent soudainement. Ne

poursuivez pas l'opération avant que la cause de l'augmentation des vibrations ait été supprimée.

- La découpe du granit ou du béton dur provoque plus de vibrations dans le produit que lors de la découpe de béton tendre. Un équipement de coupe émoussé, défectueux, de type incorrect ou mal affûté augmente le niveau de vibrations

Consignes de sécurité pour l'entretien



AVERTISSEMENT: Lisez les instructions qui suivent avant d'effectuer l'entretien du produit.

- Retirez la batterie avant tout entretien, contrôle ou assemblage du produit.
- L'utilisateur ne doit effectuer que les travaux de maintenance et d'entretien décrits dans ce manuel d'utilisation. Adressez-vous à votre revendeur pour toute opération de maintenance et d'entretien de plus grande ampleur.
- Ne nettoyez pas la batterie ou le chargeur de batterie avec de l'eau. L'utilisation de détergents agressifs peut endommager le plastique.
- Un défaut d'entretien réduit le cycle de vie du produit et augmente le risque d'accidents.
- Une formation spéciale est nécessaire pour tous les travaux d'entretien et de réparation, en particulier pour les dispositifs de sécurité sur le produit. Si tous les contrôles spécifiés dans ce manuel d'utilisation ne sont pas validés après l'entretien, consultez votre revendeur. Nous garantissons la disponibilité d'un service de réparation et d'entretien professionnel pour votre produit.
- Utilisez uniquement les pièces de rechange d'origine.

Bluetooth®



REMARQUE: Tout changement ou modification apporté à cet équipement non expressément approuvé par Husqvarna peut annuler l'autorisation de la FCC d'utiliser cet équipement.

Remarque : Cet appareil est conforme à la partie 15 de la réglementation FCC et avec la norme RSS d'exonération de licence Industry Canada. Son utilisation est soumise aux deux conditions suivantes :

- Cet appareil ne doit pas entraîner d'interférences dangereuses
- Cet appareil doit accepter toute interférence reçue, y compris des interférences qui provoquent un fonctionnement non souhaité.

Le présent appareil est conforme aux CNR d'Industrie Canada applicables aux appareils radio exempts de licence. L'exploitation est autorisée aux deux conditions suivantes :

- l'appareil ne doit pas produire de brouillage, et

- l'appareil doit accepter tout brouillage radioélectrique subi, même si le brouillage est susceptible d'en compromettre le fonctionnement.

Montage

Disques de découpe



AVERTISSEMENT: Portez toujours des gants de protection lorsque vous montez la chaîne.



AVERTISSEMENT: Une lame de coupe peut se briser et blesser gravement l'utilisateur.



AVERTISSEMENT: Avant toute utilisation, vérifiez que la lame de coupe ne présente pas de fissures, de déformations ou de déséquilibres sur les segments, immédiatement après avoir heurté un objet non intentionnel. N'utilisez pas de disque découpeur endommagé. Après avoir inspecté et posé la lame de coupe, assurez-vous que personne, y compris vous-même, ne se trouve dans la trajectoire de la lame de coupe en rotation, et faites tourner l'outil électrique à la vitesse maximale et sans charge pendant une minute.



AVERTISSEMENT: Le fabricant du disque de découpe donne des avertissements et des recommandations pour l'utilisation et l'entretien adéquats du disque de découpe. Ces avertissements sont fournis avec le disque de découpe. Lisez et respectez les instructions fournies avec la lame de coupe.

Vibration de la lame de coupe



REMARQUE: Ne forcez pas lors de l'utilisation du produit, sous peine de faire surchauffer la lame de coupe, de la plier et de provoquer des vibrations. Réduisez la force appliquée au produit. Si les vibrations persistent, remplacez la lame de coupe.

Disques de coupe homologués



REMARQUE: Utilisez les disques de coupe Husqvarna recommandés pour K1 PACE et le matériau à découper. Les disques de coupe recommandés réduisent le risque de blessures graves et augmentent les performances de découpe et de freinage

X-Halt. En cas d'utilisation de disques de coupe à grande vitesse standard, les performances et la qualité de découpe diminuent.



AVERTISSEMENT: Utilisez uniquement les disques diamantés et les disques abrasifs pour le béton et le métal. N'utilisez pas de disques dentelés tels que les disques de coupe de bois circulaires ou les disques à pointes au carbure. Le risque de rebond est plus important et les pointes au carbure peuvent se détacher et être projetées violemment, ce qui peut entraîner un risque de blessures graves, voire mortelles.



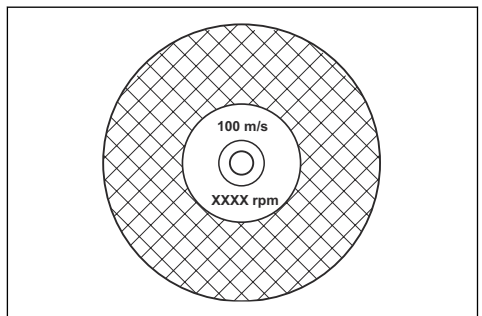
AVERTISSEMENT: N'utilisez jamais un disque de coupe avec un matériau différent de celui pour lequel il est conçu.



AVERTISSEMENT: Utilisez uniquement des disques de coupe conformes aux normes nationales ou régionales en vigueur, par exemple EN12413, ANSI B7.1. ou EN13236.



AVERTISSEMENT: N'utilisez pas de disque de coupe dont la vitesse nominale est inférieure à celle du produit. La vitesse nominale du disque de coupe est indiquée sur le disque et celle du produit est indiquée sur la plaque signalétique.

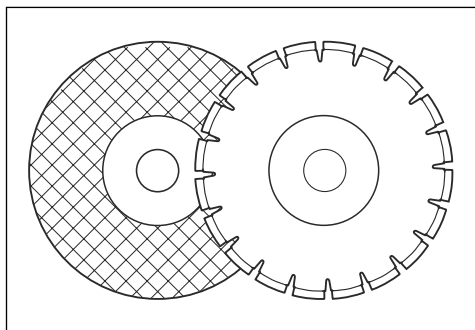


Remarque: La plupart des disques de coupe qui peuvent être fixée sur ce produit sont conçus pour des scies fixes. La vitesse nominale de ces disques de coupe est trop faible pour ce produit.



AVERTISSEMENT: N'utilisez pas de disques de coupe dont l'épaisseur est supérieure à l'épaisseur maximale recommandée. Reportez-vous à la section *Caractéristiques techniques* à la page 110.

- Il existe deux modèles de disque de coupe de base applicables à ce produit : les disques abrasifs à liant et les disques diamantés.



- Assurez-vous que le disque de coupe présente la dimension de trou central correcte pour la bague d'arbre installée.

Disques abrasifs



AVERTISSEMENT: N'utilisez pas d'eau avec des disques abrasifs. L'eau ou l'humidité diminue la résistance du disque abrasif et augmente le risque de rupture du disque.



REMARQUE: Il est interdit de couper avec des disques abrasifs et l'accessoire d'aspiration. L'utilisation d'un disque abrasif entraîne une usure anormale de l'accessoire d'aspiration.



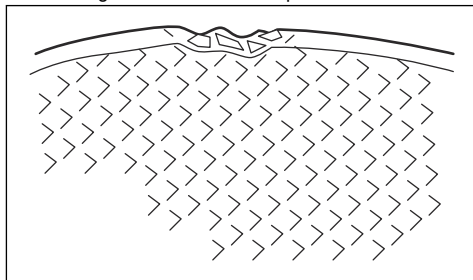
AVERTISSEMENT: Utilisez un disque abrasif adapté au matériau.

- N'utilisez pas de disques prévus pour des outils électriques de plus grande taille. Les disques prévus pour un outil électrique de plus grande taille ne sont pas adaptés à la vitesse supérieure d'un outil de plus petite taille et peuvent se briser.

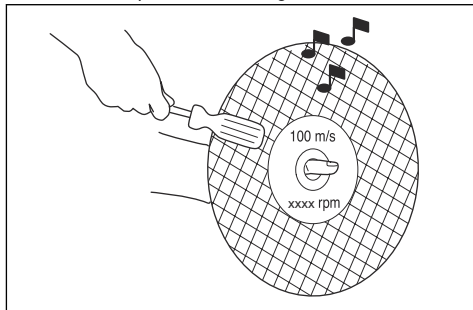
- Le matériau de coupe sur les disques abrasifs est collé avec un matériau naturel doté d'un agent liant pour le gravier. Les disques constitués d'un tissu ou de fibres sont plus résistants. Ce type de disque ne se casse pas si il se fissure ou est endommagé pendant le fonctionnement.
- Les performances d'un disque de coupe dépendent de la dimension du grain abrasif, ainsi que par le type et la dureté de l'agent liant.

Examen d'une lame de coupe abrasive liée

- Assurez-vous de l'absence de fissures ou d'autres dommages sur la lame de coupe.



- Placez la lame de coupe sur votre doigt et tapez légèrement sur la lame de coupe à l'aide d'un tournevis. Si vous n'entendez aucun son clair, la lame de coupe est endommagée.



Disques diamantés

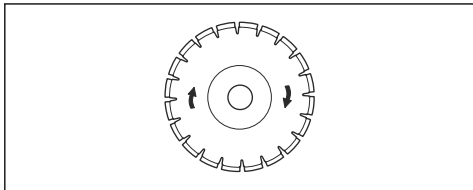


AVERTISSEMENT: Lors de leur utilisation, les lames diamantées deviennent très chaudes. Une lame diamantée trop chaude entraîne de mauvaises performances, des dégâts à la lame et présente un risque pour la sécurité.



AVERTISSEMENT: N'utilisez pas de lames diamantées pour découper des matériaux plastiques. La lame diamantée chaude peut faire fondre le plastique, ce qui peut provoquer un rebond.

- Les lames diamantées comportent une tôle et des segments fabriqués à partir de diamants industriels.
- Les lames diamantées sont recommandées pour la maçonnerie, le béton armé et la pierre.
- Assurez-vous que le disque diamanté tourne dans le sens indiqué par les flèches sur le disque diamanté.



- Utilisez toujours un disque diamanté acéré.
- Les disques diamantés peuvent s'émousser si vous utilisez une pression d'avance incorrecte ou lorsque vous découpez des matériaux tels que du béton fortement armé. Si vous utilisez un disque diamanté émoussé, celui-ci surchauffe, ce qui peut causer le desserrage des segments diamantés.

Affûtage de la lame de coupe

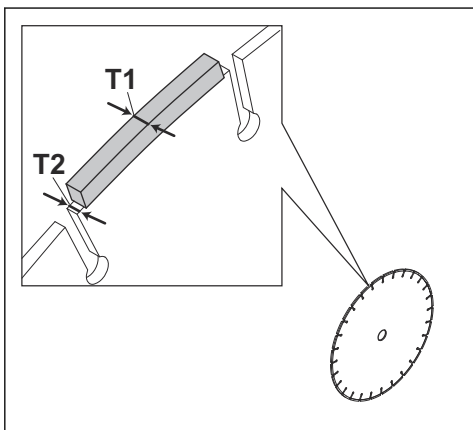
Remarque: Pour obtenir les meilleurs résultats, utilisez une lame de coupe affûtée.

- Pour affûter une lame, coupez un matériau tendre tel que du grès ou de la brique.

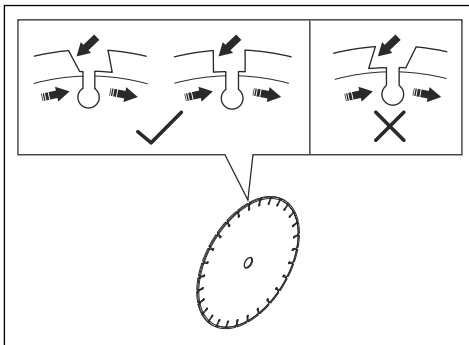
Lame diamantée - consignes



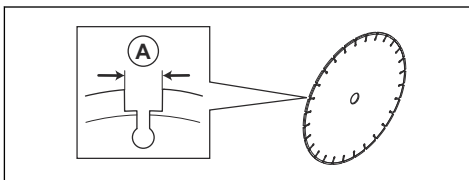
AVERTISSEMENT: vérifiez que le segment en diamant (T1) est plus large que la lame (T2). Cela permet d'éviter tout pincement dans la fente et tout effet de rebond.



AVERTISSEMENT: N'utilisez pas de lames diamantées avec un angle de ratissage positif.



AVERTISSEMENT: N'utilisez pas de lames diamantées avec un écart entre les segments supérieur à 10 mm (A) au maximum.



AVERTISSEMENT: N'utilisez pas de lames diamantées dont l'épaisseur est supérieure à l'épaisseur maximale recommandée, reportez-vous aux *Caractéristiques techniques à la page 110*.



AVERTISSEMENT: certaines situations de coupe ou des lames usées peuvent provoquer une usure excessive sur le côté des segments. Remplacez la lame avant qu'elle ne soit usée.

Disques diamant pour découpe à l'eau



AVERTISSEMENT: Utilisez toujours des brides de disque de dimensions spécifiées pour les dimensions du disque actuel. N'utilisez pas des brides de disque endommagées.

Pendant l'utilisation, la température du disque diamanté devient très élevée en raison des frottements. Si la température du disque diamanté devient trop élevée, la

tension du disque risque de diminuer ou la tôle de se fissurer.

Laissez le disque diamanté refroidir avant de le manipuler.

- Les disques diamantés pour la découpe à l'eau doivent être utilisés avec de l'eau pour refroidir la tôle et les segments du disque diamanté lors de la découpe. Les disques diamantés pour la découpe à l'eau ne peuvent pas être utilisés à sec.
- Si vous utilisez des disques diamantés pour la découpe à l'eau sans eau, le disque diamanté risque de surchauffer. Cela entraîne des mauvaises performances, endommage le disque et constitue un risque pour la sécurité.

Disques diamant pour découpe à sec

- Concernant les lames diamantées pour la découpe à sec, il est nécessaire de disposer d'un débit d'air suffisant autour de la lame de coupe afin de diminuer la température. C'est pourquoi les lames diamantées pour la découpe à sec sont recommandées uniquement pour un fonctionnement intermittent. Au bout de quelques secondes de fonctionnement, il est nécessaire de laisser la lame diamantée tourner librement, à l'écart de la découpe. Cela permet au débit d'air autour de la lame de réduire la température de la lame diamantée.

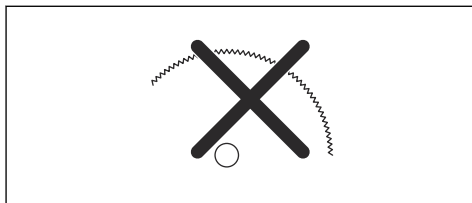
Lames dentées



AVERTISSEMENT: N'utilisez jamais de lames dentées telles que des lames de coupe de bois, des lames dentées circulaires, des lames à plaquettes, etc. À grande vitesse, le risque de rebond est nettement plus important et les extrémités de lame peuvent être arrachées et projetées. Toute négligence peut causer de graves blessures ou peut être fatale.



AVERTISSEMENT: La réglementation gouvernementale impose un type différent de dispositif de protection pour les lames à plaquettes, non disponible sur les découpeuses : une protection 360 degrés. Les découpeuses (cette chaîne) sont dotées de lames diamantées et sont équipées d'un système de protection différent qui ne protège pas contre les dangers présentés par les lames de coupe de bois.



L'utilisation de cette découpeuse avec une lame à plaquettes constitue une violation des réglementations sur la sécurité du travail.

En raison de la nature dangereuse et des circonstances exigeantes de la lutte contre le feu et des opérations de secours menées par les différentes forces de sécurité publique très bien formées, des professionnels de la sécurité, Husqvarna a conscience qu'il est possible que celles-ci utilisent cette découpeuse avec des lames à plaquettes dans certaines situations d'urgence, en raison de la capacité des lames à plaquettes à couper différents types d'obstacles et de matériaux sans devoir passer du temps à changer de lame ou de machine. Lorsque vous utilisez cette découpeuse, souvenez-vous en toutes circonstances que les lames à plaquettes sont plus sujettes aux rebonds que les lames diamantées si elles ne sont pas utilisées correctement. Les lames à plaquettes peuvent également projeter des morceaux de matériau.

Pour ces raisons, une découpeuse équipée d'une lame à plaquettes ne doit jamais être utilisée, sauf par des professionnels de la sécurité publique ayant reçu une formation et conscients des risques liés à cette utilisation, et ce, uniquement dans des circonstances exigeantes dans lesquelles les autres outils sont jugés inefficaces pour des opérations de secours ou de lutte contre le feu. N'utilisez jamais de découpeuse équipée d'une lame à plaquettes pour couper du bois lorsqu'il ne s'agit pas d'une opération de secours.

Inspection de l'arbre à broche et des rondelles d'accouplement



AVERTISSEMENT: Utilisez uniquement des rondelles d'accouplement Husqvarna. Le diamètre minimal pour les disques abrasifs est de 105 mm (4,1 po) et de 60 mm (2,36 po) pour les disques diamantés.



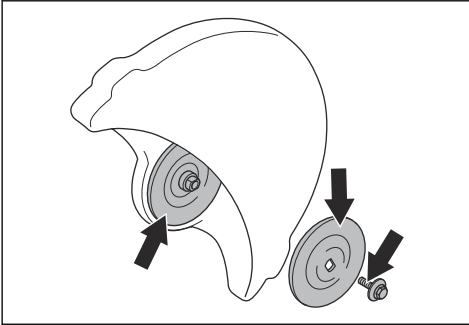
AVERTISSEMENT: Les rondelles d'accouplement de petite taille avec un symbole de disque diamanté doivent être utilisées uniquement avec des disques diamantés. L'utilisation de rondelles d'accouplement non compatibles sur un disque abrasif à liant augmente le risque de défaillance du disque et de blessures.



AVERTISSEMENT: N'utilisez pas de rondelles d'accouplement abîmées, défectueuses ou sales. N'utilisez que des rondelles d'accouplement de la même taille. L'utilisation de rondelles d'accouplement non compatibles risque d'abîmer le disque de coupe ou de le desserrer.

Examinez les rondelles d'accouplement et l'arbre à broche lors du remplacement du disque de coupe.

1. Vérifiez que les filetages de l'arbre à broche sont intacts. Remplacez les pièces endommagées.



2. Assurez-vous que les surfaces de contact sur le disque de coupe et les rondelles d'accouplement ne sont pas abîmées. Remplacez les pièces endommagées.
3. Vérifiez que les rondelles d'accouplement sont propres et de la bonne taille.
4. Assurez-vous que les rondelles d'accouplement se déplacent librement sur l'arbre à broche.

Installation du disque de coupe



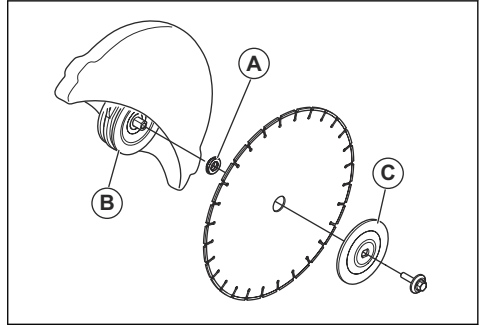
AVERTISSEMENT: Assurez-vous que le moteur est éteint et que la batterie est déconnectée.



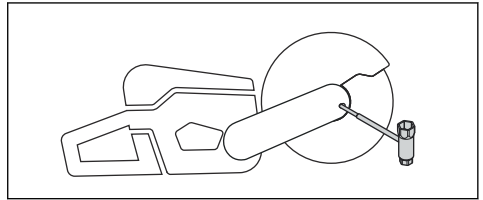
AVERTISSEMENT: Portez toujours des gants de protection lorsque vous montez le produit.

1. Examinez les rondelles d'accouplement et l'arbre à broche. Reportez-vous à la section *Inspection de l'arbre à broche et des rondelles d'accouplement* à la page 93.

2. Placez le disque de coupe sur la bague d'arbre (A) entre la rondelle d'accouplement interne (B) et la rondelle d'accouplement (C). Tournez la rondelle d'accouplement jusqu'à ce qu'elle soit maintenue sur l'arbre.



3. Insérez un outil dans le trou du carter de courroie et tournez le disque de coupe jusqu'à ce que l'arbre se bloque.

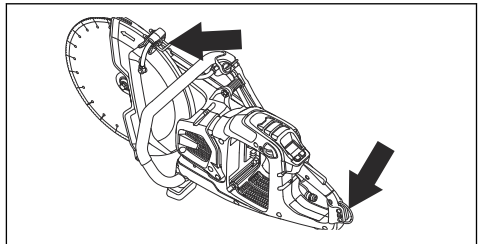


4. Serrez le boulon de disque de coupe à un couple de 30 Nm (18,5 ft-lb).

Œillet de sangle (K1 PACE Rescue)

Le produit est doté de 2 œillets de sangle. Les œillets sont utilisés pour fixer la sangle d'épaule.

L'œillet de sangle peut être utilisé pour fixer le produit à un objet solide et l'empêcher ainsi de tomber. Si le produit tombe, il existe un risque de blessures graves ou d'endommagement de l'équipement.



Utilisation

Introduction



AVERTISSEMENT: Assurez-vous de lire et de comprendre le chapitre dédié à la sécurité avant d'utiliser l'appareil.

Rebond

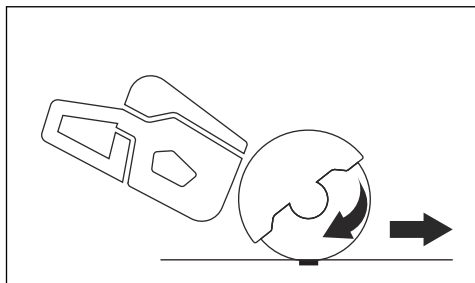


AVERTISSEMENT: Les rebonds sont soudains et peuvent être très violents. La découpeuse peut être éjectée vers le haut puis retomber en direction de l'utilisateur dans un mouvement de rotation qui peut causer des blessures sérieuses, voire mortelles. Il est indispensable de comprendre ce qui cause le rebond et de savoir comment l'éviter avant d'utiliser le produit.

Le rebond est un mouvement soudain vers le haut qui peut survenir si la lame se pince ou se coince dans la zone de rebond. La plupart des rebonds sont légers et présentent peu de dangers. Un rebond peut cependant être très violent et envoyer la découpeuse vers le haut puis la faire retomber en direction de l'utilisateur dans un mouvement de rotation pouvant causer des blessures sérieuses, voire mortelles.

Force de réaction

Une force de réaction s'exerce toujours lors de la découpe. Cette force tire le produit dans le sens opposé à la rotation de la lame. La plupart du temps, cette force est insignifiante. Si la lame se pince ou se coince, la force de réaction sera forte et il est possible que vous perdiez le contrôle de la découpeuse.

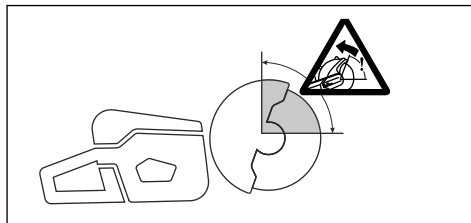


Ne déplacez pas le produit quand l'équipement de coupe tourne. Les forces gyroscopiques peuvent entraver le mouvement prévu

Zone de rebond

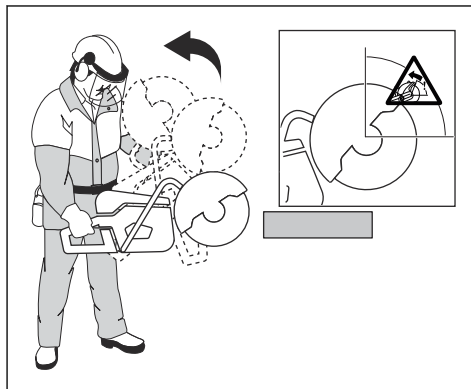
N'utilisez jamais la zone de rebond du disque pour découper. Si la lame se pince ou se coince dans

la zone de rebond, la force de réaction va pousser la découpeuse vers le haut, puis la faire retomber en direction de l'utilisateur dans un mouvement de rotation qui peut causer des blessures sérieuses, voire mortelles.



Rebond rotationnel

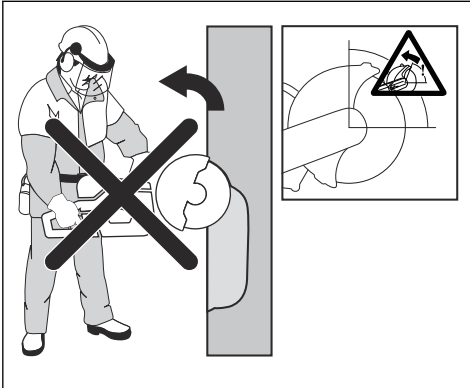
Un rebond rotatif se produit lorsque la lame de coupe ne se déplace pas librement dans la zone de rebond.



Rebond de grimpée

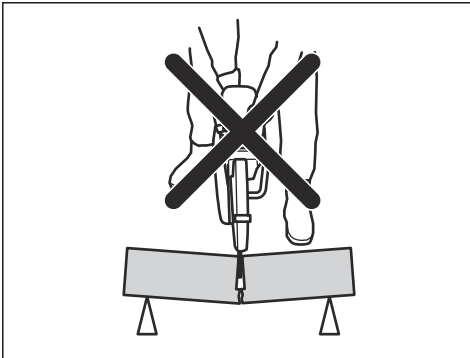
Si la zone de rebond est utilisée pour la découpe, la force de réaction entraîne une grimpée de la lame dans l'entaille. N'utilisez pas la zone de rebond. Utilisez

le quart inférieur du disque pour éviter le rebond de grimpée.



Rebond de pincement

Un pincement se produit quand l'entaille se referme et pince la lame. Si la lame se pince ou se coince, la force de réaction sera forte et il est possible que vous perdiez le contrôle de la découpeuse.



Si la lame se pince ou se coince dans la zone de rebond, la force de réaction va pousser la découpeuse vers le haut, puis la faire retomber en direction de l'utilisateur dans un mouvement de rotation qui peut causer des blessures sérieuses, voire mortelles. Faites attention aux éventuels mouvements de la pièce à travailler. Si la pièce à travailler n'est pas correctement soutenue et qu'elle se décale lors de la découpe, elle risque de pincer la lame et d'entraîner un rebond.

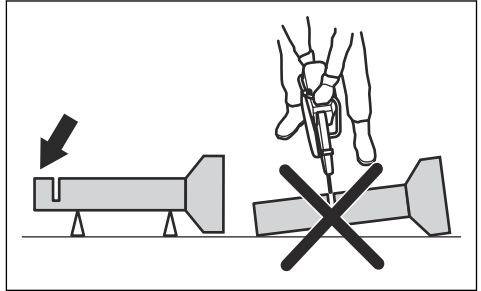
Coupe de tuyaux

Faites particulièrement attention lorsque vous découpez des tubes. Si le tuyau n'est pas bien soutenu et si l'entaille n'est pas maintenue ouverte pendant la découpe, la lame risque d'être pincée. Faites particulièrement attention lors de la découpe d'un tuyau en tulipe ou d'un tuyau dans une tranchée qui, s'il

n'est pas correctement soutenu, risque de pendre et de pincer la lame.

Si le tuyau peut pendre et fermer la coupe, la lame risque d'être pincée dans la zone de rebond et cela peut susciter un rebond important. Si le tuyau est correctement soutenu, l'extrémité du tuyau va descendre et l'entaille va s'ouvrir sans aucun pincement.

Fixez le tube de sorte qu'il ne puisse pas bouger ou rouler pendant la découpe. Vérifiez que l'entaille s'ouvre afin d'éviter tout pincement de la lame.



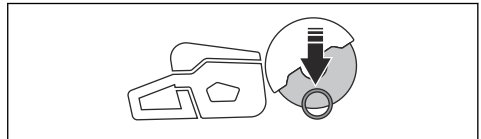
Coupe de petits tuyaux



AVERTISSEMENT: si la lame est coincée dans la zone de rebond, il en résultera un important rebond.

Si le tuyau est plus petit que la profondeur de coupe maximale du produit, l'opération de coupe peut être effectuée en 1 étape de haut en bas.

- Coupez le tuyau de haut en bas.



Coupe de grands tuyaux

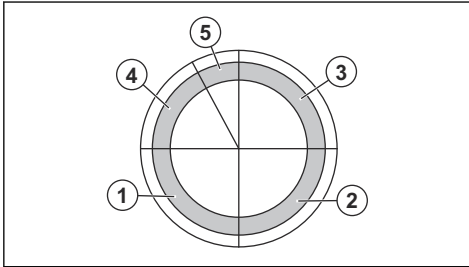


AVERTISSEMENT: si le disque est coincé dans la zone de rebond, il en résultera un important rebond.

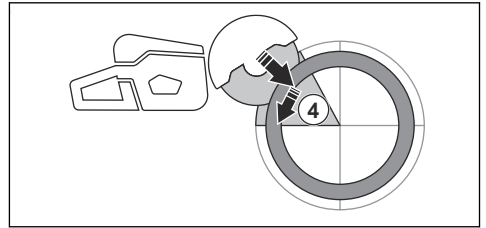
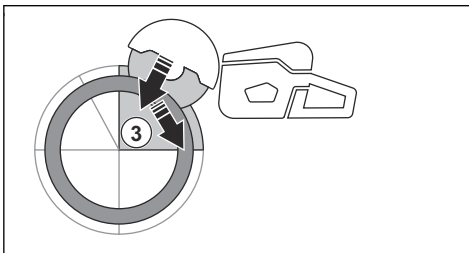
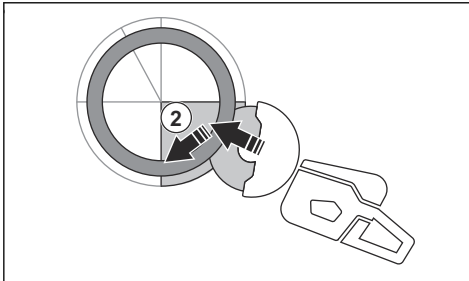
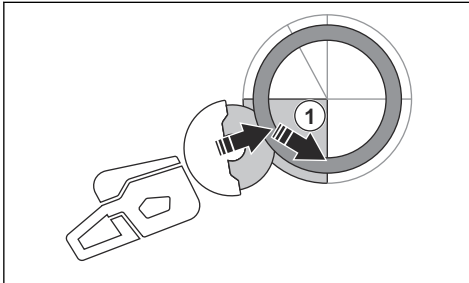
Si le tuyau est plus grand que la profondeur de coupe maximale du produit et qu'il ne peut pas être roulé, l'opération de coupe doit être divisée en 5 étapes.

- Réglez le carter de disque en mode de coupe de tuyaux. Reportez-vous à la section *Pour définir la mode de coupe de tuyaux à la page 101*.

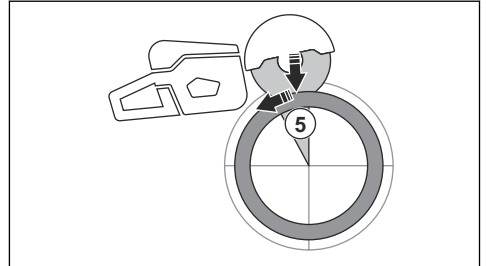
- Divisez le tuyau en 5 sections. Marquez ces sections et marquez une ligne de coupe. Coupez une rainure de guidage peu profonde autour du tuyau.



- Coupez les sections en 5 étapes en suivant les directions de coupe indiquées par les flèches pour chaque étape.



- Effectuez la coupe de séparation finale depuis le haut du tuyau en tirant vers l'arrière, sans utiliser le quadrant supérieur du disque. Réglez le carter de disque en position complètement vers l'avant pour une protection maximale.



AVERTISSEMENT:

si le tuyau est correctement soutenu, il ne doit pas pincer le disque lorsqu'il est séparé au niveau de la section 5. Toutefois, soyez vigilant au cas où le disque soit pincé pendant la coupe finale. Si la section inférieure du disque est pincée, le produit peut s'éloigner de l'opérateur et se diriger vers l'avant, au lieu de provoquer un rebond rotatif.

Éviter un rebond



AVERTISSEMENT:

Éviter les situations susceptibles de provoquer des rebonds. Soyez très vigilant lorsque vous utilisez votre découpeuse et assurez-vous que la lame n'est jamais coincée dans la zone de rebond.



AVERTISSEMENT:

Faites attention lorsque vous introduisez la lame dans une entaille existante.



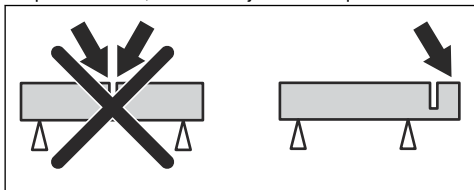
AVERTISSEMENT:

Assurez-vous que la pièce à découper ne peut pas se déplacer lors de la découpe.



AVERTISSEMENT: La seule façon d'éviter les rebonds et le danger qu'ils représentent est de faire attention et d'utiliser une méthode de travail correcte.

- Veillez à toujours soutenir la pièce à usiner de sorte que l'entaille puisse rester ouverte lors de la découpe. Lorsque l'entaille est ouverte, aucun rebond ne se produit. Si l'entaille est refermée et pince la lame, il existe toujours un risque de rebond.



X-Halt

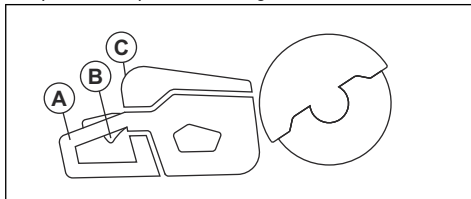
La fonction X-Halt est un système de freinage électronique qui s'engage en cas de rebond. Cette fonction n'empêche pas totalement les blessures dues à un rebond, mais elle en réduit le risque. Il est nécessaire d'adopter une technique de travail sûre pour éviter les rebonds et réduire le risque de blessures.

La fonction X-Halt est toujours activée lorsque le produit est en marche. Si la fonction est engagée, l'interface utilisateur affiche le symbole d'avertissement X-Halt jusqu'à ce que le produit refroidisse. Reportez-vous à la section *Fonctions de l'interface utilisateur* à la page 87. Pour plus d'informations, reportez-vous à *Dépannage du produit* à la page 107.

À faire avant d'utiliser le produit

1. Lisez attentivement le manuel d'utilisation et assurez-vous de bien comprendre les instructions.
2. Effectuez l'entretien quotidien. Reportez-vous à la section *Calendrier d'entretien* à la page 104.
3. Assurez-vous que seules les personnes autorisées se trouvent dans la zone de travail.
4. Veillez à vous tenir dans une position stable et sûre pendant l'utilisation du produit.
5. Assurez-vous que le raccord d'eau est connecté à une alimentation en eau domestique. Reportez-vous à la section *Raccordement de l'eau de refroidissement* à la page 102.

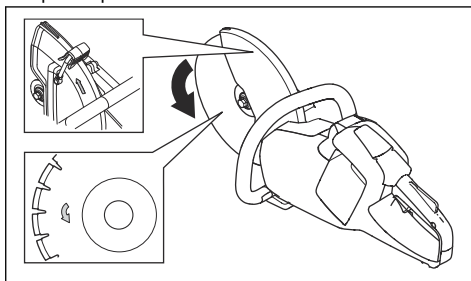
6. Contrôlez la poignée arrière (A) pour vous assurer qu'elle n'est pas endommagée.



7. Contrôlez le dispositif de blocage de la gâchette de puissance (B) pour vous assurer qu'il fonctionne correctement et qu'il n'est pas endommagé.
8. Contrôlez le panneau de commande (C) pour vérifier qu'il fonctionne correctement.
9. Assurez-vous que toutes les pièces et protections sont présentes, bien fixées et qu'elles ne sont pas endommagées.
10. Chargez la batterie et assurez-vous qu'elle est correctement fixée au produit. Utilisez uniquement des batteries.
11. Assurez-vous que la découpeuse s'arrête lorsque vous relâchez la gâchette de puissance.

Examen du sens de rotation du disque de coupe

1. Trouvez les flèches sur le carter de disque arrière qui indiquent le sens de rotation de l'arbre à broche.



2. La flèche sur le disque de coupe indique le sens de rotation du disque de coupe.
3. Assurez-vous que la flèche de direction du disque de coupe et de l'arbre à broche sont orientés dans la même direction.

Contrôle de la bague d'arbre

Les bagues d'arbre servent à fixer le produit au niveau du trou central du disque de coupe. Le produit est fourni avec des bagues d'arbre adaptées aux trous centraux de 20 mm (0,79 po) ou 25,4 mm (1 po).

- Assurez-vous que la dimension du trou central du disque de coupe correspond à la bague d'arbre installée. Le diamètre du trou central est imprimé sur le disque de coupe.
- N'utilisez que des bagues d'arbre Husqvarna.

Bluetooth® technologie sans fil

Les produits dotés de la technologie sans fil Bluetooth® intégrée peuvent se connecter aux appareils mobiles et activer des fonctionnalités supplémentaires à partir de la connexion Husqvarna.

Le symbole de la technologie sans fil *Bluetooth®* s'allume lorsque votre appareil mobile est connecté au produit.



Pour utiliser la connectivité intégrée avec Fleet

Remarque: Cette pièce s'applique uniquement aux produits fournis avec une connectivité intégrée.

Remarque: la transmission radio via la fonction Bluetooth® est activée lors du premier branchement à une batterie, et le reste par la suite.

1. Téléchargez l'application Husqvarna Fleet Services iOS ou Android Husqvarna Fleet Services.
2. Pour plus d'informations, rendez-vous sur le site Web Husqvarna Fleet Services <https://fleetservices.husqvarna.com>.

Branchement du chargeur de batterie



AVERTISSEMENT: Utilisez le chargeur de batterie uniquement à des températures ambiantes comprises entre 5 °C (41 °F) et 40 °C (104 °F).

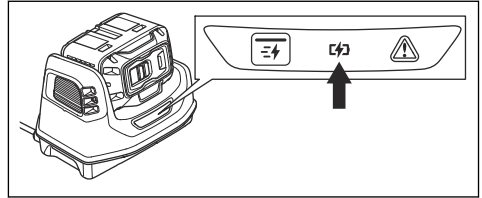
1. Branchez le chargeur de batterie sur une prise électrique dont les caractéristiques de tension et de fréquence correspondent aux spécifications mentionnées sur la plaque signalétique.
2. Branchez la fiche dans une prise électrique mise à la terre. La DEL sur le chargeur de batterie clignote une fois en vert.

Connexion de la batterie au chargeur de batterie

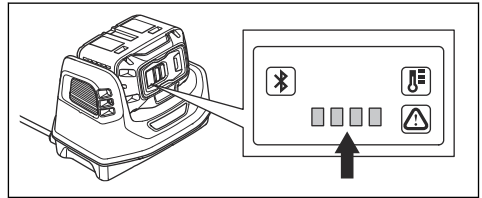
Remarque: Chargez la batterie si vous l'utilisez pour la première fois. Une batterie neuve n'est chargée qu'à 30 %.

Remarque: la batterie ne se recharge pas si sa température est trop élevée. Laissez la batterie refroidir la batterie avant de la mettre en charge.

1. Assurez-vous que la batterie est sèche.
2. Placez la batterie dans le chargeur de batterie.
3. Assurez-vous que le témoin de charge vert du chargeur de batterie s'allume. La présence de ce témoin signifie que la batterie est correctement connectée au chargeur de batterie.



4. La batterie est totalement rechargée quand toutes les LED sur la batterie sont allumées.



5. Pour débrancher le chargeur de batterie de la prise d'alimentation secteur, tirez sur la fiche. Ne tirez pas sur le câble.
6. Dégagez la batterie du chargeur de batterie.

Remarque: Reportez-vous aux manuels de la batterie et du chargeur de batterie pour plus d'informations.

Techniques de travail de base



AVERTISSEMENT: ne déplacez pas la découpeuse sur le côté car le disque ne pourra plus se déplacer librement. Il risque alors de se casser et de provoquer des blessures.

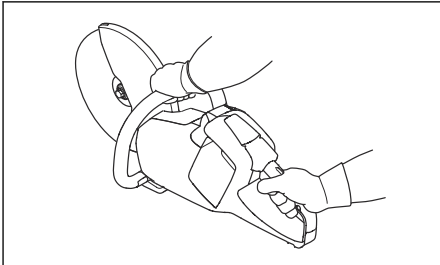


AVERTISSEMENT: n'utilisez pas le côté du disque sous peine de l'endommager et de le casser, ce qui peut provoquer des blessures. Utilisez uniquement le bord tranchant.

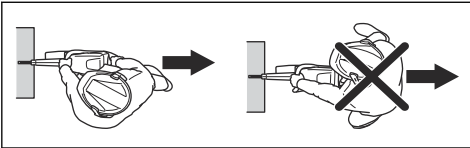


AVERTISSEMENT: n'utilisez pas de disque diamanté pour découper des matériaux plastiques. La chaleur générée peut faire fondre le plastique. Le plastique fondu peut se coller au disque de coupe et provoquer un effet de rebond.

- Le produit est conçu pour des disques diamantés à grande vitesse adaptés pour les découpeuses portatives. Utilisez les disques de coupe Husqvarna recommandés pour le produit.
- Le produit est conçu pour effectuer des découpes dans du carrelage, du béton léger et de la pierre. Utilisez-le exclusivement pour ce type d'opération.
- Assurez-vous que le disque de coupe ne présente aucun signe d'endommagement et qu'il est correctement fixé. Reportez-vous aux sections *Disques abrasifs* à la page 91 et *Installation du disque de coupe* à la page 94.
- Utilisez toujours le disque de coupe adapté au type d'opération, reportez-vous à la section *Disques de découpe* à la page 90.
- Ne découpez pas d'amiante.
- Tenez toujours la découpeuse à 2 mains. Tenez toujours fermement le produit en serrant les pouces et les doigts autour des poignées. Tenez toujours la poignée arrière de la main droite et la poignée avant de la main gauche.

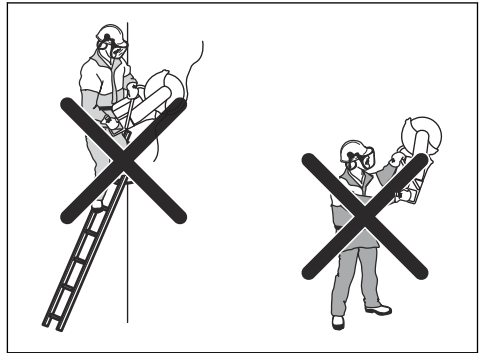


- Placez-vous parallèlement au disque de coupe. Ne vous placez pas dans l'alignement du disque de coupe. En cas de rebond, la découpeuse se déplacera dans la trajectoire du disque de coupe.

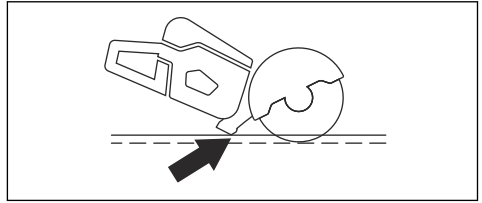


- Tenez-vous éloigné du disque de coupe lorsque le moteur tourne.
- Veillez à vous tenir dans une position stable pendant l'utilisation du produit.
- Maintenez une distance adéquate par rapport à l'objet que vous êtes en train de découper.
- Ne travaillez pas au-dessus de la hauteur d'épaule. Utilisez une plate-forme ou un échafaudage si la découpe se fait au-dessus de la hauteur d'épaule. Ne vous éloignez pas trop.

- N'utilisez pas le produit sur une échelle.

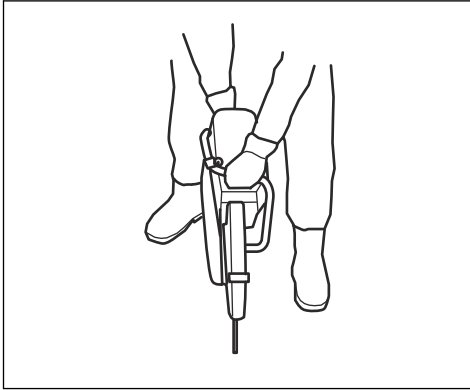


- Assurez-vous que le disque de coupe se déplace librement lorsque le moteur démarre.
- Surveillez toujours le produit lorsque le moteur tourne.
- Ne déplacez pas le produit lorsque le disque de coupe tourne. Le produit est équipé d'un frein électrique pour diminuer le temps d'arrêt du disque.
- Assurez-vous que le support de terre avant est aligné sur la pièce à découper à l'arrière. Le carter de disque récupère les projections et la poussière et les éloigne de l'opérateur.

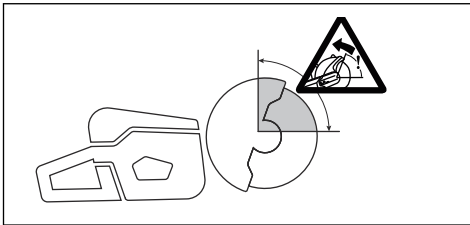


- Découpez à plein régime. Maintenez une vitesse de rotation maximale jusqu'à la fin de l'opération de découpe.
- Appuyez légèrement le disque de coupe contre l'objet que vous êtes en train de découper. Ne forcez pas.

- Alignez le disque de coupe sur le trait de coupe.



- Déplacez le disque de coupe lentement d'avant en arrière de façon à réduire la zone située entre le disque de coupe et le matériau. Cela permet de réduire la température du disque de coupe.



- N'effectuez pas de découpe avec la zone de rebond du disque. Reportez-vous à la section *Zone de rebond* à la page 95.

Pour définir le mode de coupe de tuyaux



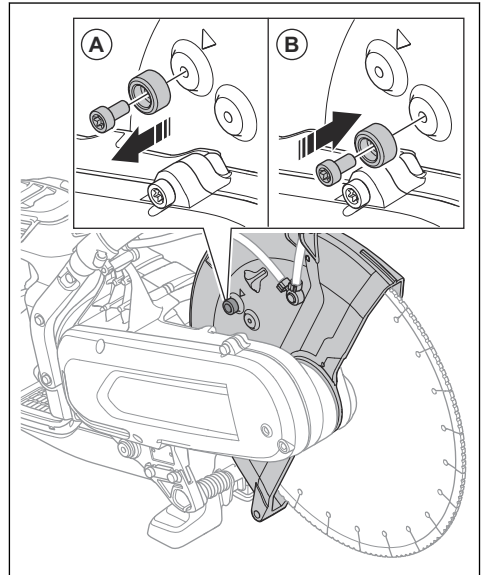
AVERTISSEMENT: la poignée de réglage du carter de disque peut être très chaude. Portez des gants lorsque vous réglez le carter de disque.



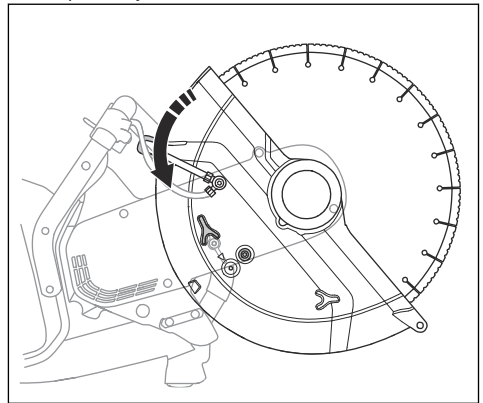
AVERTISSEMENT: utilisez uniquement le mode de coupe de tuyaux à cet effet. Pour toutes les autres opérations, utilisez le mode de coupe standard

Le mode de coupe de tuyaux permet de couper des tuyaux dans la zone de rebond.

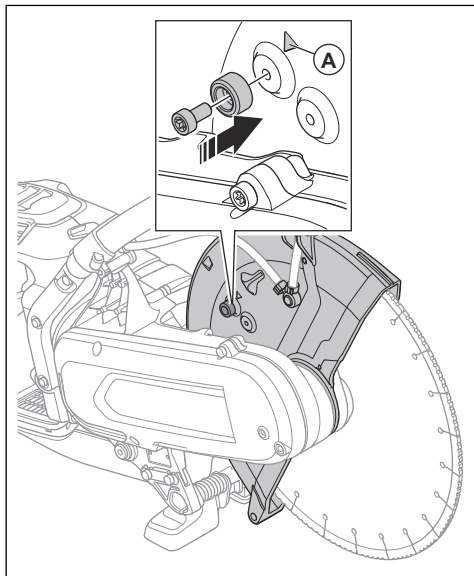
- Déplacez le boulon de butée du carter de disque du mode de coupe standard (A) au mode de coupe de tuyaux (B).



- Tirez la poignée de réglage pour activer le mode de coupe de tuyaux.



- Remettez le boulon de butée en mode de coupe standard une fois l'opération de coupe de tuyaux effectuée. La flèche (A) indique le mode de coupe standard.



Coupe à l'eau



REMARQUE: n'utilisez pas d'équipement d'aspiration avec le système à l'eau.

- Les lames diamantées pour la découpe à l'eau doivent être utilisées avec le système à l'eau.
- L'eau refroidit la lame et augmente sa durée de vie, tout en limitant la formation de poussière.
- Lors d'une découpe à l'eau, assurez-vous de recueillir les eaux usées en toute sécurité.

Réduction de la poussière pendant le fonctionnement

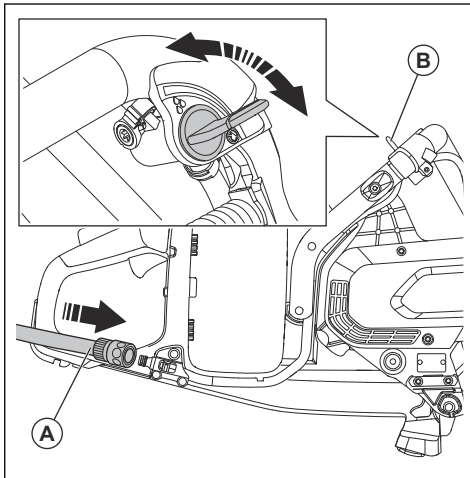
Le produit est équipé d'un kit de découpe à l'eau permettant de réduire la poussière nocive dans l'air pendant le fonctionnement. Le kit de coupe à l'eau présente une faible consommation d'eau.

- Si possible, utilisez des lames de coupe à l'eau avec refroidissement à eau. Reportez-vous à la section *Disques diamant pour découpe à l'eau à la page 92*.
- Réglez le débit d'eau à l'aide de la soupape. Le débit correct est différent en fonction des divers types de tâches.

- Assurez-vous que la pression de l'eau est correcte. Reportez-vous à la section *Caractéristiques techniques à la page 110*. Si le tuyau d'eau se détache au niveau de la source d'alimentation, la pression de l'eau fournie peut être trop élevée.

Raccordement de l'eau de refroidissement

- Raccordez le flexible à eau à l'arrivée d'eau (A).



- Tournez la vanne d'eau (B) pour ouvrir ou fermer le débit d'eau.
- Vérifiez l'absence de fuite au niveau du raccord d'eau et du tuyau.
- Assurez-vous que la pression de l'eau n'est pas supérieure à la pression maximale autorisée, reportez-vous à la section *Caractéristiques techniques à la page 110*.

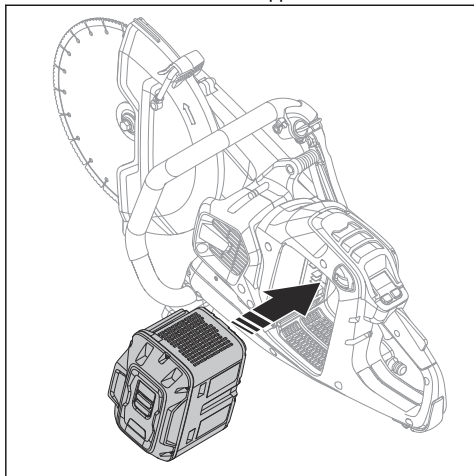
Découpe à sec

- Lors d'une découpe à sec, il convient de sortir la lame de son sillon de coupe toutes les 30 à 60 secondes et de la faire tourner librement pendant 10 secondes pour la faire refroidir.
- Utilisez un équipement d'aspiration dans la mesure du possible.

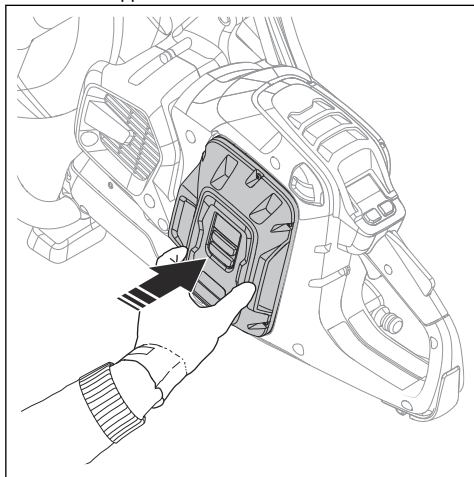
Pour démarrer le produit

- Contrôlez la gâchette de puissance et son blocage. Reportez-vous à la section *Pour contrôler le blocage de la gâchette de puissance à la page 105*.

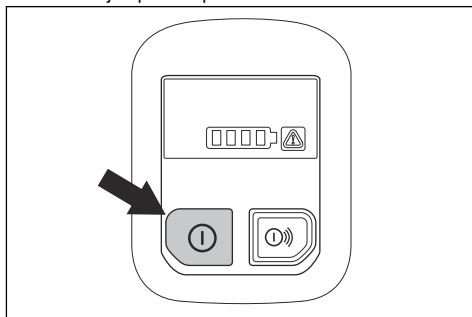
2. Placez la batterie dans le support de batterie.



3. Poussez sur la partie inférieure de la batterie jusqu'à ce que vous entendiez un déclic. Si la batterie ne bouge pas facilement dans le support de batterie, cela indique qu'elle n'est pas fixée correctement dans le support de batterie.



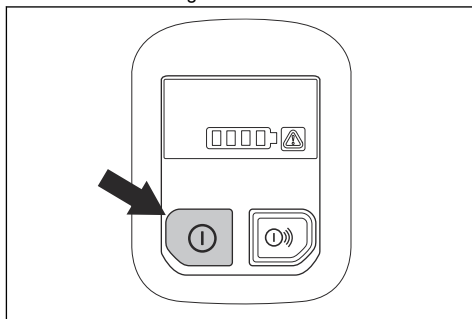
4. Appuyez sur le bouton On/Off et maintenez-le enfoncé jusqu'à ce que la LED verte s'allume.



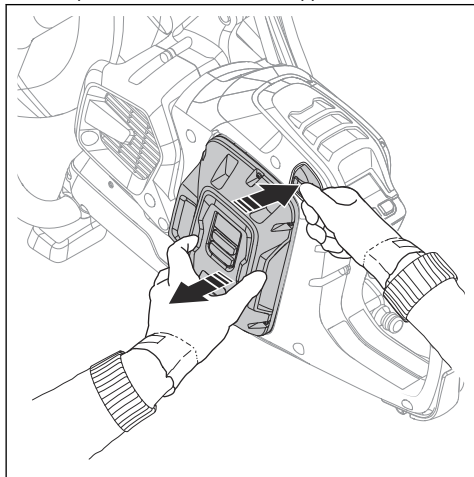
5. Appuyez sur la gâchette de puissance pour démarrer le moteur.

Arrêt du produit

1. Relâchez la gâchette de puissance.
2. Appuyez sur le bouton On/Off sur le panneau de commande et maintenez-le enfoncé jusqu'à ce que la LED verte s'éteigne.



3. Appuyez sur les boutons de libération de la batterie et déposez la batterie de son support.



AVERTISSEMENT: Retirez la batterie lorsque vous n'utilisez pas le produit ou ne l'avez pas dans votre champ de vision. L'objectif est d'éviter tout démarrage accidentel.

Entretien

Introduction



AVERTISSEMENT: assurez-vous de lire et de comprendre le chapitre sur la sécurité avant de procéder à l'entretien du produit.



AVERTISSEMENT: retirez la batterie avant de procéder à l'entretien du produit.



AVERTISSEMENT: Le non-respect des procédures d'entretien peut réduire

la durée de vie du produit et augmenter le risque d'accident. Toutes les opérations d'entretien et/ou de réparation doivent également être réalisées par un professionnel. Contactez votre revendeur pour de plus amples informations.

Calendrier d'entretien

La liste ci-dessous indique les étapes d'entretien à effectuer sur le produit.

Entretien	Avant chaque utilisation	Toutes les semaines	Mensuel
Nettoyez les pièces externes du produit.	X		
Vérifiez que la gâchette de puissance et son blocage fonctionnent en toute sécurité.	X		
Contrôlez le disque de coupe. Recherchez la présence de fissures et assurez-vous que le disque de coupe n'est pas anormalement usé. Remplacez si nécessaire.	X		
Nettoyez le carter du ventilateur du produit.	X		
Assurez-vous que les vis et les écrous sont serrés.	X		

Entretien	Avant chaque utilisation	Toutes les semaines	Mensuel
Assurez-vous que le panneau de commande fonctionne correctement et n'est pas endommagé.	X		
Contrôlez les connexions entre la batterie et le produit. Contrôlez la connexion entre la batterie et le chargeur de batterie.			X
Nettoyez le produit et la batterie avec de l'air comprimé à faible pression.			X

Nettoyage des surfaces extérieures

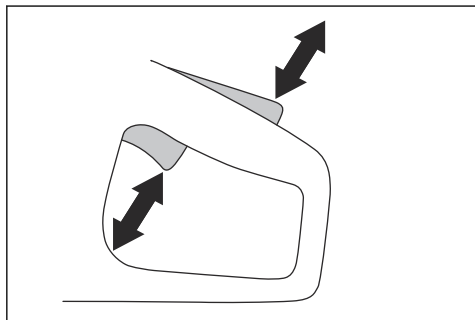


AVERTISSEMENT: N'utilisez pas de nettoyeur haute pression pour nettoyer le produit.

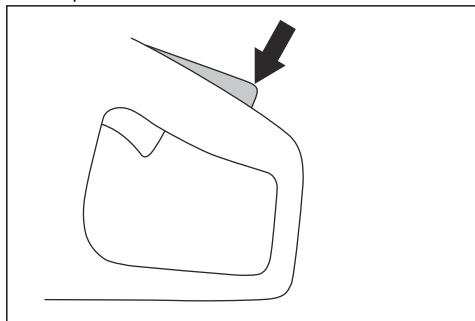
- Aspergez l'extérieur du produit avec de l'eau propre après chaque journée d'utilisation. Utilisez si nécessaire une brosse.

Pour contrôler le blocage de la gâchette de puissance

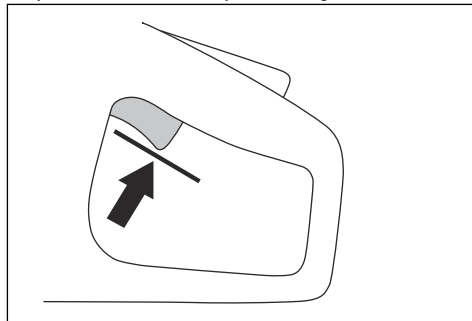
- Assurez-vous que la gâchette de puissance et le blocage de la gâchette de puissance se déplacent librement et que le ressort de rappel fonctionne correctement.



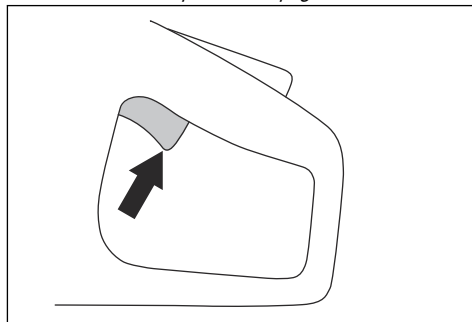
- Appuyez sur le blocage de la gâchette de puissance et assurez-vous qu'il retourne à sa position initiale lorsque vous le relâchez.



- Vérifiez que la gâchette de puissance est bloquée en position de ralenti lorsque le blocage est relâché.



- Appuyez sur le bouton On/Off et maintenez-le enfoncé pour démarrer le produit et appliquer la puissance maximale. Reportez-vous à la section *Pour démarrer le produit à la page 102*.



- Relâchez la gâchette de puissance et assurez-vous que le disque de coupe s'immobilise. Si le disque de coupe tourne lorsque la gâchette de puissance est en position de ralenti, contactez votre atelier d'entretien.

Pour nettoyer la batterie et le chargeur de batterie



AVERTISSEMENT: Ne nettoyez pas la batterie ou le chargeur de batterie avec de l'eau.

- Assurez-vous que la batterie et le chargeur de batterie sont propres et secs avant de placer la batterie dans le chargeur de batterie.
- Nettoyez les bornes de la batterie avec de l'air comprimé ou un chiffon sec et doux.
- Nettoyez les surfaces de la batterie et du chargeur de batterie avec un chiffon sec et doux.

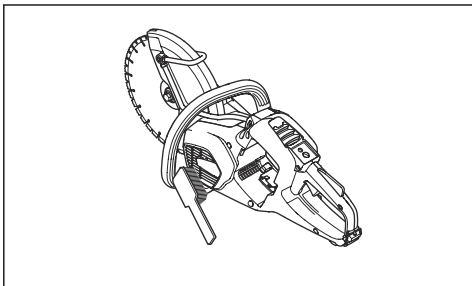
Contrôle du chargeur de batterie

1. Assurez-vous que le chargeur de batterie et le câble d'alimentation ne sont pas endommagés. Recherchez la présence de fissures et d'autres défauts.

Pour nettoyer le circuit de refroidissement

Le produit est équipé d'un système de refroidissement qui maintient une température de travail aussi basse que possible.

Le système de refroidissement comprend une prise d'air sur le côté gauche du produit et un ventilateur sur le moteur.



1. Nettoyez le système de refroidissement avec une brosse une fois par semaine ou plus fréquemment si nécessaire.
2. Assurez-vous que le système de refroidissement n'est pas encrassé ou colmaté.

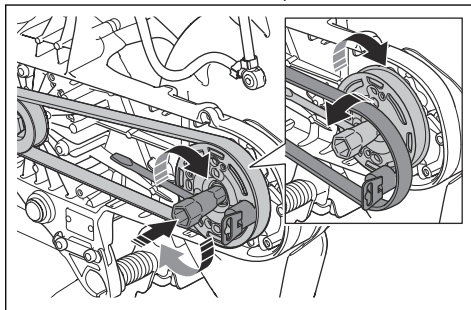


REMARQUE: Un système de refroidissement encrassé ou colmaté peut entraîner une surchauffe du produit.

Pour déposer la courroie d'entraînement

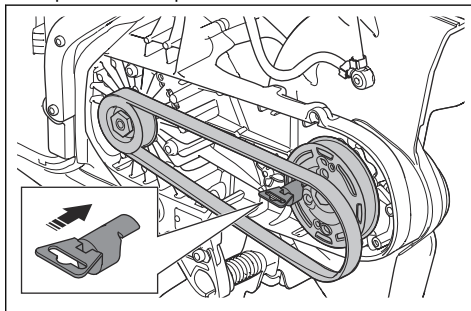
1. Retirez le carter de la courroie. Reportez-vous à la section *Présentation du produit K1 PACE* à la page 77.

2. Placez l'outil pour courroie sur la partie supérieure de la poulie avant. Utilisez une clé pour extraire la courroie d'entraînement de la poulie.

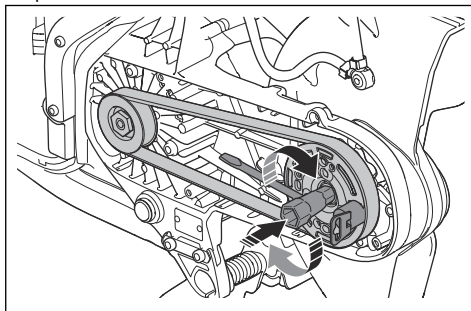


Pour installer la courroie d'entraînement

1. Remettez la courroie d'entraînement autour de la poulie arrière.
2. Placez l'outil de montage de la courroie sur la partie supérieure de la poulie avant.



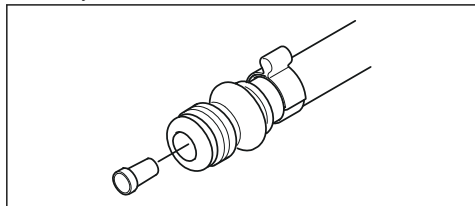
3. Tournez la poulie avant dans le sens des aiguilles d'une montre à l'aide de la clé mixte. Dans le même temps, poussez la courroie d'entraînement sur la poulie.



4. Fixez le carter de la courroie. Reportez-vous à la section *Présentation du produit K1 PACE* à la page 77.

Examen du système d'approvisionnement en eau

1. Examinez les buses situées sur le protège-lame et assurez-vous qu'elles ne sont pas obstruées.
2. Nettoyez-les si nécessaire.
3. Examinez le filtre situé sur le connecteur d'eau. Assurez-vous qu'il n'est pas bouché.
4. Nettoyez-les si nécessaire.







5. Examinez les flexibles et assurez-vous qu'ils ne sont pas endommagés.

Dépannage

Dépannage du produit

Remarque: Pour la recherche de pannes sur la batterie et le chargeur de batterie, reportez-vous au manuel d'utilisation correspondant.

Symbole sur le panneau de commande	Problème	Cause	Solution
	Le produit ne démarre pas. Aucune LED ne s'allume lorsque vous appuyez sur le bouton ON/OFF.	Batterie défectueuse.	Appuyez sur le bouton ON/OFF pour contrôler la batterie. Au moins une LED verte doit s'allumer.
		Fiche défectueuse entre la batterie et le produit.	Assurez-vous que les connecteurs d'alimentation entre la batterie et le produit ne sont pas sales ni endommagés.
		La batterie n'est pas correctement installée dans le produit.	Retirez la batterie et installez-la correctement.
		L'entretien est nécessaire.	Contactez un centre d'entretien Husqvarna agréé.
	Aucune réaction du moteur lorsque vous appuyez sur la gâchette de puissance.	L'entretien est nécessaire.	Contactez un centre d'entretien Husqvarna agréé.
	Le moteur produit un mouvement brusque lorsque vous appuyez sur la gâchette de puissance, puis s'arrête.	L'entretien est nécessaire.	Contactez un centre d'entretien Husqvarna agréé.
	Le produit s'arrête pendant un rebond.	La fonction X-Halt est engagée.	Attendez que la fonction X-Halt se désengage.

Symbole sur le panneau de commande	Problème	Cause	Solution
	Le produit s'arrête lorsque vous appliquez une charge de travail.	Vous avez appliqué une charge trop élevée sur le produit.	Démarrez le produit et appliquez une charge plus faible.
	Le produit fonctionne, mais aucun témoin ne s'allume sur le panneau de commande.	L'entretien est nécessaire.	Contactez un centre d'entretien Husqvarna agréé.
	Le témoin d'avertissement clignote en rouge. Avertissement temporaire.	Écart de température, si le témoin d'avertissement de température est également allumé.	Laissez le produit refroidir s'il est trop chaud. S'il est trop froid, mettez-le à l'intérieur pour qu'il se réchauffe.
		Batterie défectueuse.	Remplacez la batterie.
		Sens de rotation incorrect.	Le produit s'arrête. Appuyez sur la gâchette de puissance pour réinitialiser.
		La gâchette de puissance est enfoncée au démarrage.	Relâchez la gâchette de puissance pendant le démarrage.
	La gâchette de puissance et le bouton ON/OFF sont enfoncés simultanément.	Relâchez la gâchette de puissance.	
	Le témoin d'avertissement rouge est allumé	L'entretien est nécessaire.	Contactez un centre d'entretien Husqvarna agréé.
	Le témoin jaune d'avertissement de température est allumé.	Écart de température.	Le produit est trop chaud ou trop froid.
	Le témoin X-Halt clignote.	La fonction X-Halt est engagée.	Attendez la fin de la période de refroidissement.
	Le témoin X-Halt est allumé.	L'entretien est nécessaire.	Contactez un centre d'entretien Husqvarna agréé.
	1 LED verte clignote.	Tension de batterie faible.	Rechargez la batterie.
	Toutes les LED vertes clignotent.	L'entretien est nécessaire.	Contactez un centre d'entretien Husqvarna agréé.
	La LED 3 clignote et la LED 4 est allumée en permanence.	L'entretien est nécessaire.	Contactez un centre d'entretien Husqvarna agréé.

Transport, entreposage et mise au rebut

Transport et stockage

- Sécurisez le produit lors de son transport pour éviter tout dommage ou accident.

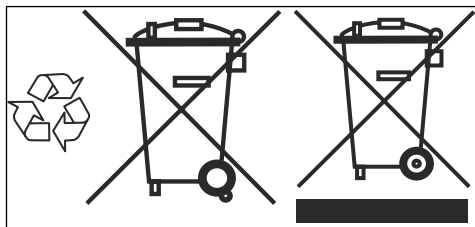
- Retirez le disque de coupe avant de transporter ou de remettre le produit.
- Conservez le produit dans un endroit verrouillé afin que des enfants ou personnes qui ne sont pas autorisées à l'utiliser ne puissent pas y avoir accès.

- Remisez les disques de coupe dans un endroit sec et à l'abri du gel.
- Déconnectez la batterie du produit.
- Avant l'assemblage, vérifiez que tous les disques neufs et usagés ne sont pas endommagés lors du transport et du stockage.

Mise au rebut de la batterie, du chargeur de batterie et du produit

Le symbole ci-dessous indique que le produit ne fait pas partie des ordures ménagères. Déposez-le dans une station de recyclage pour équipements électriques et électroniques. Ceci permet d'éviter les dangers pour l'environnement et les personnes.

Consultez les autorités locales, le service des ordures ménagères ou votre revendeur pour plus d'informations.



Remarque: Le symbole apparaît sur le produit ou l'emballage du produit.

Caractéristiques techniques

Caractéristiques techniques

Husqvarna K1 PACE		
Tension c.c. maximale/nominale, V		109,2/93,6
Poids kg/lb	K1 PACE 12 po	7,2/15,8
	K1 PACE 14 po	7,4/16,3
	K1 PACE Rescue	7,9/17,4
Profondeur de coupe maximale, en mm/po	12 po	121/4,8
	14 po	144,5/5,7
Diamètre de disque maximal, mm/po	K1 PACE 12 po	314/12,4
	K1 PACE 14 po	361/14,2
	K1 PACE Rescue	361/14,2
Épaisseur de disque maximale, mm/po	Disques abrasifs	4,0/0,16
	Disques diamantés	1,8/0,07
Arbre de disque, régime sans charge	K1 PACE 12 po	3 800
	K1 PACE 14 po	3 400
Refroidissement par eau du disque		Oui
Embout de raccordement		Type "Gardena"
Pression de l'eau recommandée, bar/psi		0,5-6/7,3-87
Pression de l'eau maximale, bar/psi		6/87
Niveaux de vibration, a_{hveq}^5	12" avant, m/s ²	2,0
	12" arrière, m/s ²	1,1
	14" avant, m/s ²	2,2
	14" arrière, m/s ²	1,2
Émissions sonores ⁶	LpA, dB(A)	102
	LwA, dB(A)	112,9

⁵ Le niveau de vibrations équivalent, conformément à la norme EN 60745-2-22, correspond à la somme d'énergie pondérée en fonction du temps pour les niveaux de vibrations. Les données reportées pour les niveaux de vibrations ont une incertitude de 1,5 m/s².

⁶ Les émissions sonores sont mesurées conformément à la norme EN 60745-2-22. L'incertitude pour le niveau de puissance sonore pondéré A K_{WA} est de 3 dB(A). L'incertitude pour le niveau de pression acoustique pondéré A K_{pA} est de 3 dB(A).

Déclaration relative au bruit et aux vibrations

Ces valeurs déclarées ont été obtenues grâce à des essais types effectués en laboratoire conformément à la directive ou aux normes mentionnées. Elles conviennent à l'établissement d'une comparaison avec les valeurs déclarées d'autres produits testés conformément aux mêmes normes ou à la même directive. Ces valeurs

ne sont pas adaptées à une utilisation à des fins d'évaluations des risques ; les valeurs mesurées dans différents lieux de travail peuvent être plus élevées.

Les valeurs d'exposition réelles et les risques de blessures rencontrés par chaque utilisateur sont uniques et dépendent de la manière dont l'utilisateur travaille, dans quel matériau le produit est utilisé, mais aussi de la durée d'exposition, de la condition physique de l'utilisateur et de l'état du produit.

Connectivité intégrée

Remarque: Cette pièce s'applique uniquement aux produits fournis avec une connectivité intégrée.

Spectre radio de la technologie BLE	
Bandes de fréquence de l'outil, GHz	2,402-2,480
Puissance de radiofréquence maximale transmise, dBm/mW	4/2,5

Accessoires

Batteries homologuées pour le produit

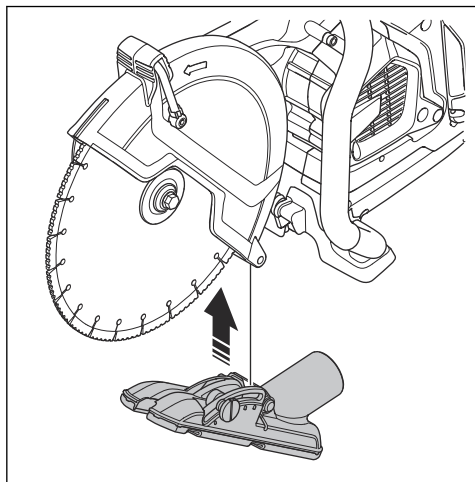
Batterie	100-B380X	100-B750X
Type	Lithium-ion	Lithium-ion
Capacité de la batterie, Ah	4	8
Tension nominale, V	94	94
Poids, kg/lb	3,1 / 6,1	5,1 / 11,4

Chargeurs de batterie homologués pour le produit

Chargeur de batterie	100-C900X
Tension secteur, V	100-240
Fréquence, Hz	50-60
Puissance, W	900

Accessoire d'aspiration

Utilisez l'accessoire d'aspiration pour connecter un extracteur de poussière au produit.



Entretien

Atelier d'entretien agréé

Pour trouver l'atelier d'entretien Husqvarna agréé le plus proche, rendez-vous sur le site Web www.husqvarnacp.com.

Déclaration de conformité

Déclaration de conformité UE

Nous, **Husqvarna AB**, SE-561 82 Huskvarna, Suède,
tél : +46-36-146500, déclarons sous notre entière
responsabilité que le produit :

Description	Découpeuse portable
Marque	Husqvarna
Type/Modèle	K1 PACE, K1 PACE Rescue
Identification	Numéros de série à partir de 2021 et ultérieurs

est entièrement conforme à la réglementation et aux
directives de l'UE suivantes :

Directive/Réglementation	Description
2006/42/EC	« relative aux machines »
2014/53/EU	« relative aux équipements radio »
2011/65/EU	« relative à la limitation de l'utilisation de certaines substances dangereuses »

et que les normes et/ou les spécifications techniques
suivantes sont appliquées :

EN ISO 12100:2010

EN 60745-1:2009

EN 60745-2-22:2011/A11:2013

EN 55014-1:2017

EN 55014-2:2015

ETSI EN 301 489-1 V2.2.3

ETSI EN 301 489-17 V3.2.4

ETSI EN 300 328 V2.2.2

EN IEC 63000:2018

Partille, 2021-05-24

Erik Silfverberg

Directeur R&D, équipement de découpe et forage du
béton

Husqvarna AB, division Construction

Responsable de la documentation technique



A handwritten signature in black ink, appearing to be 'Erik Silfverberg', is located at the bottom left of the page.

Marques déposées

La marque et les logos *Bluetooth®* sont des marques déposées appartenant à *Bluetooth SIG, inc.*, et toute utilisation de ces marques par Husqvarna est régie par une licence.

Inhoud

Inleiding.....	115	Vervoer, opslag en verwerking.....	146
Veiligheid.....	118	Technische gegevens.....	147
Montage.....	128	Accessoires.....	148
Werking.....	133	Service.....	149
Onderhoud.....	141	Verklaring van overeenstemming.....	150
Probleemoplossing.....	144	Geregistreerde handelsmerken.....	151

Inleiding

Productbeschrijving

De doorslijper is een draagbare, handbediende doorslijper. Het product wordt van stroom voorzien door een accu.

Het product kan voor natte en droge werkzaamheden worden gebruikt. Zie *Nat zagen op pagina 139* en *Droog zagen op pagina 140*.

Het product heeft geïntegreerde connectiviteit. Zie *Geïntegreerde connectiviteit op pagina 118*.

Gebruik

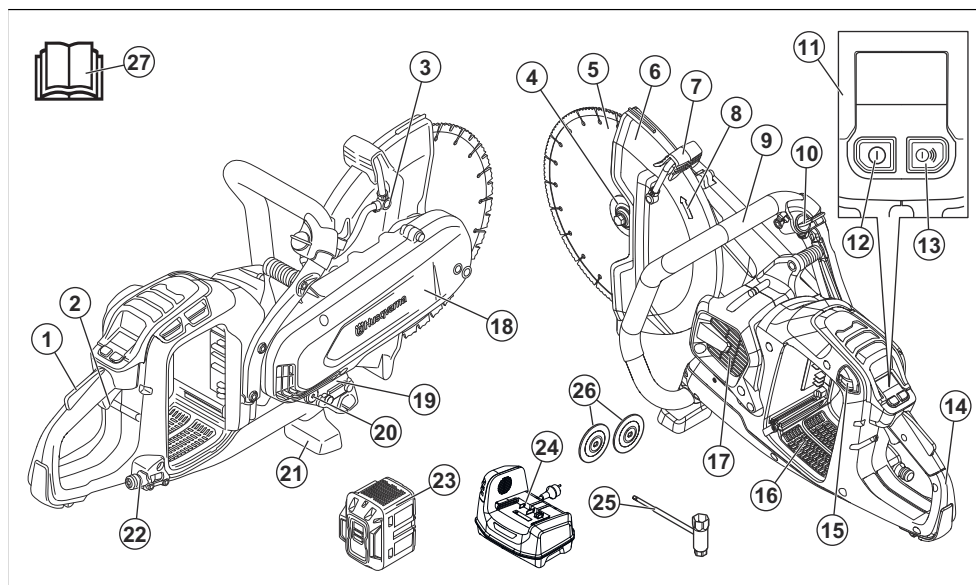
Het product wordt gebruikt om harde materialen zoals beton, metselwerk, steen en staal te zagen. Gebruik

het product niet voor andere taken. Het product mag uitsluitend worden gebruikt door professionele gebruikers met ervaring.

Er wordt voortdurend gewerkt aan het verhogen van uw veiligheid en efficiëntie tijdens bedrijf. Neem voor meer informatie contact op met uw servicedealer.

Let op: Het gebruik van deze machine kan beperkt worden door lokale regelgeving.

Productoverzicht K1 PACE

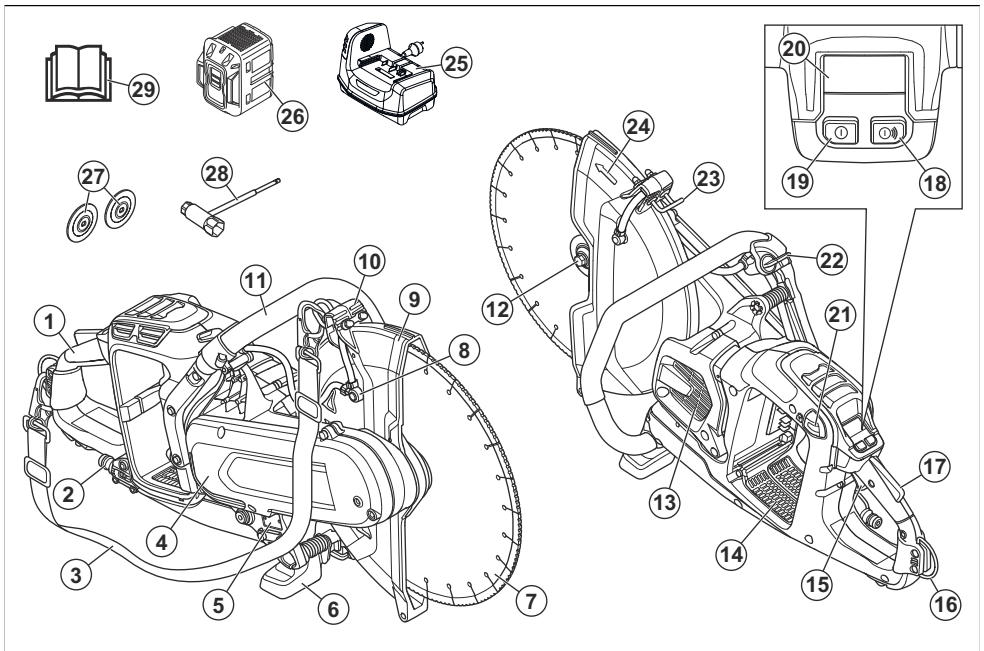


1. Vergrendeling voedingsschakelaar
2. Voedingsschakelaar

3. Watermondstuk
4. Flens voor diamantzaagblad, spil, spilbus

5. Zaagblad
6. Bladbeschermkap
7. Afstelhandgreep voor beschermkap
8. Rotatierichting spil
9. Voorste handgreep
10. Waterklep
11. Bedieningspaneel
12. ON/OFF-knop
13. ON/OFF-knop accessoires (niet in gebruik)
14. Achterste handgreep
15. Accuontgrendelknop
16. Accusleuf
17. Motorluchtinlaat
18. Riembescherming
19. Typeplaatje
20. Spilbus 20 mm/0,8 inch
21. Grondsteun voorkant
22. Wateraansluiting met filter
23. Accu (niet meegeleverd)
24. Acculader (niet meegeleverd)
25. Ring-steeksleutel
26. Flens voor gebonden abrasieve bladen
27. Bedieningshandleiding

Productoverzicht K1 PACE Rescue



1. Achterste handgreep
2. Wateraansluiting met filter
3. Schouderriem
4. Riembescherming
5. Typeplaatje
6. Grondsteun voorkant
7. Zaagblad
8. Watermondstuk
9. Bladbeschermkap
10. Afstelhandgreep voor beschermkap
11. Voorste handgreep
12. Flens voor diamantzaagblad, spil, spilbus
13. Motorluchtinlaat
14. Accusleuf
15. Voedingsschakelaar
16. Houder voor achterste schouderriem
17. Vergrendeling voedingsschakelaar
18. ON/OFF-knop accessoires (niet in gebruik)
19. ON/OFF-knop
20. Bedieningspaneel
21. Accuontgrendelknop
22. Waterklep
23. Houder voor voorste schouderriem
24. Rotatierichting spil
25. Acculader (niet meegeleverd)
26. Accu (niet meegeleverd)

27. Flens voor gebonden abrasieve bladen

28. Ring-steeksleutel

29. Bedieningshandleiding

Symbolen op het product



WAARSCHUWING: Dit product kan gevaarlijk zijn en ernstig of fataal letsel toebrengen aan de gebruiker of anderen. Wees voorzichtig en gebruik het product op de juiste manier.



Lees de bedieningshandleiding goed door en zorg dat u de instructies hebt begrepen voordat u dit product gaat gebruiken.



Gebruik een goedgekeurde veiligheidshelm, gehoorbescherming, oogbescherming en ademhalingsbescherming. Zie *Persoonlijke beschermingsuitrusting op pagina 125*.



Er ontstaat stof bij het zagen. Stof kan schadelijk zijn als het wordt ingeademd. Gebruik goedgekeurde ademhalingsbescherming. Zorg voor voldoende ventilatie.



Vonken van het zaagblad kunnen brand veroorzaken in brandstof, hout, kleding, droog gras of andere brandbare materialen.



WAARSCHUWING! Een terugslag kan plotseling, snel en krachtig zijn en kan levensbedreigend letsel veroorzaken. Lees de gebruiksaanwijzing aandachtig door en gebruik het product niet voordat u de instructies goed hebt begrepen. Zie *Terugslag op pagina 133*.



Controleer of het zaagblad geen barsten of andere beschadigingen vertoont.



Gebruik geen zaagbladen bestemd voor cirkelzagen.



Alleen gebruiken met diamantzaagbladen.



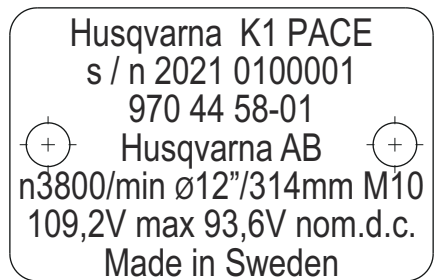
Dit product voldoet aan de geldende EU-richtlijnen.



Milieusymbool. Het product of de verpakking ervan is geen huishoudelijk afval. Lever het in bij een recyclepunt voor elektrische en elektronische apparatuur.

Let op: Andere symbolen/stickers op het product hebben betrekking op certificeringseisen voor bepaalde markten.

Typeplaatje



Rij 1: Merk, model

Rij 2: Serienr. met productiedatum: Jaar, week, volgnr.

Rij 3: Productnr.

Rij 4: Fabrikant

Rij 5: n=nominaal toerental uitgaande as, / min=omwentelingen per minuut, Ø=bladdiameter, spindelschroefdraad.

Rij 6: Maximale en nominale spanning, d.c.=gelijkstroom

Rij 7: Land van herkomst

Symbolen op de accu en/of op de acculader



WAARSCHUWING: Dit product kan gevaarlijk zijn en ernstig of fataal letsel toebrengen aan de gebruiker of anderen. Wees voorzichtig en gebruik het product op de juiste manier.



Het product of de verpakking ervan is geen huishoudelijk afval.



Lever het product in bij een geschikte verwijderingslocatie voor elektrische en elektronische apparatuur.



Zet de accu niet in water.



Bescherm de accu tegen direct zonlicht, warmte of open vuur.



Functionele aarding.

Geïntegreerde connectiviteit

De cloudoplossing voor beheer van bedrijfsmiddelen Husqvarna Fleet Services™ geeft de fleetmanager een overzicht van alle producten die zijn verbonden via geïntegreerde of aftermarketsensoren. De positie van de gateway of smartphone kan worden gebruikt om de locatie van verbonden producten aan te geven. De sensoren registreren gegevens zoals gebruiksduur, onderhoudsintervallen en meer. Download voor meer informatie over de cloudoplossing

voor beheer van bedrijfsmiddelen Husqvarna Fleet Services™ de iOS- of Android-app Husqvarna Fleet Services via <https://apps.apple.com/se/app/husqvarna-fleet-services/id1334672726> of <https://play.google.com/store/apps/details?id=com.husqvarna.hfsmobile&hl=en>. Neem voor meer informatie contact op met uw Husqvarna-verkoopvertegenwoordiger.

Sommige modellen van dit product zijn verbonden via de geïntegreerde Husqvarna Fleet Services™-sensor met de functie Bluetooth Low Energy (BLE). Als u meer informatie wilt over het gebruik hiervan, raadpleeg dan *Geïntegreerde connectiviteit gebruiken met fleet op pagina 137*. Raadpleeg *Geïntegreerde connectiviteit op pagina 148* voor informatie over het radiospectrum van de BLE-technologie.

Productaansprakelijkheid

Zoals uiteengezet in de wet voor productaansprakelijkheid zijn wij niet aansprakelijk voor schade die door ons product wordt veroorzaakt, indien:

- het product niet goed is gerepareerd.
- het product is gerepareerd met onderdelen die niet van de fabrikant afkomstig zijn, of onderdelen die niet zijn goedgekeurd door de fabrikant.
- het product een accessoire bevat dat niet afkomstig is van de fabrikant of niet is goedgekeurd door de fabrikant.
- het product niet is gerepareerd door een erkend servicepunt of door een erkende autoriteit.

Veiligheid

Veiligheidsdefinitie

Waarschuwingen, voorzorgsmaatregelen en opmerkingen worden gebruikt om te wijzen op belangrijke delen van de handleiding.



WAARSCHUWING: Wordt gebruikt om te wijzen op de kans op ernstig of fataal letsel voor de gebruiker of omstanders wanneer de instructies in de handleiding niet worden gevolgd.



OPGELET: Wordt gebruikt indien er een risico bestaat op schade aan het product en andere eigendommen of aan de omgeving wanneer de instructies in de handleiding niet worden gevolgd.

Let op: Geven verdere informatie die nodig is in een bepaalde situatie.

Algemene veiligheids waarschuwingen voor elektrisch gereedschap



WAARSCHUWING: Lees alle veiligheids waarschuwingen en alle instructies. Het niet opvolgen van de waarschuwingen en instructies kan leiden tot elektrische schokken, brand en/of ernstig letsel.

Let op: Bewaar alle waarschuwingen en instructies voor later gebruik. De term "elektrisch gereedschap" in de waarschuwingen verwijst zowel naar gereedschappen die op het lichtnet (met snoer) werken als gereedschappen die met een accu (snoerloos) werken.

Veiligheid van het werkgebied

- **Zorg ervoor dat de werkplek schoon en goed verlicht is.** In rommelige of donkere gebieden gebeuren eerder ongelukken.
- **Gebruik elektrisch gereedschap niet in een omgeving waar ontploffingsgevaar bestaat, zoals in**

de buurt van brandbare vloeistoffen, gassen of stof. Elektrische apparaten creëren vonken waardoor het stof of de dampen kunnen ontbranden.

- **Houd kinderen en omstanders op afstand wanneer u elektrisch gereedschap gebruikt.** U kunt de controle over het apparaat verliezen als u afgeleid wordt.

Elektrische veiligheid

- **Elektrisch gereedschap moet geschikt zijn voor het betreffende stopcontact. Wijzig nooit de stekker. Gebruik nooit een adapterstekker in combinatie met geaarde elektrische gereedschappen.** Ongewijzigde stekkers en overeenkomende stopcontacten verkleinen het risico op elektrische schokken.
- **Vermijd lichamelijk contact met geaarde oppervlakken, zoals buizen, radiatoren, fornuizen en koelkasten.** Er is een verhoogd risico op elektrische schokken als uw lichaam geaard is.
- **Stel elektrische gereedschappen niet bloot aan regen of vochtige omstandigheden.** Water dat in elektrisch gereedschap binnendringt, verhoogt het risico op elektrische schokken.
- **Gebruik de kabel niet voor oneigenlijke doeleinden. Gebruik de kabel nooit om het elektrische apparaat te dragen, het mee te slepen of om de stekker uit het stopcontact te trekken. Houd de kabel uit de buurt van warme, olie, scherpe randen en bewegende onderdelen.** Beschadigde of in de knoop geraakte kabels verhogen het risico op elektrische schokken.
- **Gebruik een verlengkabel die geschikt is voor gebruik buitenshuis wanneer u buiten werkt met elektrisch gereedschap.** Het gebruik van een kabel die geschikt is voor gebruik buitenshuis, vermindert het risico op elektrische schokken.
- **Als gebruik van een elektrisch apparaat in een vochtige omgeving onvermijdelijk is, gebruik dan een netvoeding met overstrombeveiliging (RCD).** Het gebruik van een RCD vermindert het risico op elektrische schokken



WAARSCHUWING: Reinig de machine niet met een hogedrukreiniger, want water kan binnendringen in het elektrische systeem of de motor en kan schade of kortsluiting in de machine veroorzaken.

Persoonlijke veiligheid

- **Wees altijd alert, kijk wat u doet en gebruik uw gezonde verstand wanneer u elektrisch gereedschap gebruikt. Gebruik elektrisch gereedschap niet als u moe bent of onder invloed bent van drugs, alcohol of medicijnen.** Een moment van onoplettendheid tijdens het gebruik van elektrische apparaten kan leiden tot ernstig persoonlijk letsel.
- **Maak altijd gebruik van persoonlijke beschermingsmiddelen. Draag altijd oogbescherming.** Beschermingsmiddelen zoals een stofmasker, veiligheidsschoenen met antislipprofiel,

een veiligheidshelm of gehoorbescherming in relevante werkomstandigheden beperken letsel.

- **Voorkom een onbedoelde start. Zorg ervoor dat de schakelaar in de uit-positie staat voordat u het gereedschap aansluit op een spanningsbron en/of accu, oppakt of draagt.** Het dragen van elektrische apparaten met uw vinger op de schakelaar of het onder spanning zetten van elektrische apparaten waarvan de schakelaar op aan staat, kan makkelijk leiden tot ongelukken.
- **Verwijder eventuele (instel)sleutels voordat u het elektrisch gereedschap inschakelt.** Een sleutel die is bevestigd aan een draaiend onderdeel van het elektrische gereedschap kan persoonlijk letsel tot gevolg hebben.
- **Voorkom overstrekken. Zorg dat u te allen tijde stevig en in balans staat.** Hierdoor heeft u een betere controle over het apparaat in onverwachte situaties.
- **Draag geschikte kleding. Draag geen losse kleding of sieraden. Houd uw haar, kleding en handschoenen uit de buurt van bewegende onderdelen.** Losse kleding, sieraden of lang haar kunnen verstrikt raken in bewegende onderdelen.
- **Als de mogelijkheid bestaat voor het opvangen van stof moet u ervoor zorgen dat deze is aangesloten en op de juiste wijze wordt gebruikt.** Het gebruik van stofopvang kan stofgerelateerde gevaren beperken.
- **Laat de vertrouwdheid met de door u gebruikte apparaten door het frequente gebruik ervan niet toe leiden dat u de veiligheidsprincipes negeert.** Een onzorgvuldige handeling kan binnen een fractie van een seconde leiden tot ernstig letsel.
- **De trillingsemmissie tijdens het feitelijke gebruik van de machine kan afwijken van de opgegeven totaalwaarde en is afhankelijk van de manier waarop het gereedschap wordt gebruikt.** Om zichzelf te beschermen, moeten gebruikers de nodige veiligheidsmaatregelen nemen op basis van een schatting van de blootstelling in de feitelijke gebruiksomstandigheden. Hierbij moet rekening worden gehouden met alle elementen van de bedrijfscyclus, dus niet alleen de tijd dat het gereedschap actief wordt gebruikt, maar ook de tijd dat het gereedschap is uitgeschakeld of stationair draait.
- **Blijf op afstand van de schijf wanneer de motor draait.**

Gebruik en verzorging van elektrische apparaten

- **Gebruik elektrische gereedschap niet voor taken waarvoor het niet geschikt is. Gebruik het juiste elektrische apparaat voor uw toepassing.** Met het juiste elektrische apparaat kunt u de taak beter en veiliger uitvoeren met de snelheid waarvoor het is ontworpen.
- **Gebruik het elektrisch gereedschap niet als de aan/uitschakelaar niet werkt.** Elektrische apparaten die

niet bediend kunnen worden met de schakelaar zijn gevaarlijk en moeten gerepareerd worden.

- **Haal de stekker uit het stopcontact en/of verwijder de accu van het elektrische gereedschap voordat u aanpassingen maakt, accessoires verwisselt of het elektrische gereedschap opbergt.** Deze voorzorgsmaatregelen verkleinen het risico op het per ongeluk starten van het elektrische apparaat.
- **Berg elektrisch gereedschap dat u niet nodig hebt op buiten het bereik van kinderen en laat personen die onbekend zijn met het elektrisch gereedschap of deze instructies niet werken met het elektrisch gereedschap.** Elektrische apparaten zijn gevaarlijk in handen van ongetrainde gebruikers.
- **Onderhoud elektrisch gereedschap goed. Controleer op onjuiste montage of vastlopen van bewegende delen, gebroken onderdelen en andere condities die de werking van het elektrische gereedschap kunnen beïnvloeden. Als het elektrische apparaat beschadigd is, moet u het laten repareren voordat u het gebruikt.** Veel ongelukken worden veroorzaakt door slecht onderhouden elektrische apparaten.
- **Houd snijgereedschappen scherp en schoon.** Goed onderhouden snijgereedschappen met scherpe snijranden zullen minder gauw vastlopen en zijn eenvoudiger onder controle te houden.
- **Gebruik het elektrisch gereedschap, de accessoires, gereedschapsbits en dergelijke in overeenstemming met deze instructies en houd hierbij rekening met de werkomstandigheden en het type klus dat moet worden uitgevoerd.** Als u het elektrische apparaat voor andere toepassingen gebruikt dan waarvoor het is bedoeld, kan er een gevaarlijke situatie ontstaan.
- **Houd de handgrepen en grijppoppervlakken droog, schoon en vrij van olie en vet.** Als handgrepen en grijppoppervlakken glad zijn, kan dit ervoor zorgen dat het gereedschap in onverwachte situaties niet veilig kan worden gehanteerd en bediend.
- **Onder geen beding mag u wijzigingen aanbrengen in het oorspronkelijke ontwerp van de machine zonder toestemming van de fabrikant.** Gebruik altijd originele reserveonderdelen. Ongeautoriseerde wijzigingen en/of accessoires kunnen ernstig of dodelijk letsel aan de gebruiker of anderen toebrengen.
- **Verzeker u ervan dat zich op de werkplek of in het te frezen materiaal geen leidingen of elektrische kabels bevinden.**
- **Controleer altijd waar gasleidingen lopen en geef hun locatie duidelijk aan.** Zagen of frezen dicht bij gasleidingen houdt altijd gevaar in. Voorkom het ontstaan van vonken met het oog op het risico van een explosie. Blijf geconcentreerd en gefocust op de taak. Achteloosheid kan resulteren in ernstig of zelfs dodelijk persoonlijk letsel.

Gebruik en onderhoud van gereedschap met accu

- **Laad het gereedschap alleen op met de lader die door de fabrikant is gespecificeerd.** Een lader die voor een bepaald type accu geschikt is, kan een risico op brand creëren als de lader met een andere accu wordt gebruikt.
- **Gebruik elektrisch gereedschap enkel met de specifiek hiervoor bedoelde accu.** Als er andere accupacks worden gebruikt, bestaat er risico op letsel en brand.
- **Als het accupack niet gebruikt wordt, houd hem dan uit de buurt van andere metalen voorwerpen, zoals paperclips, munten, sleutels, spijkers, schroeven of andere kleine metalen voorwerpen die een verbinding tussen de twee klemmen kunnen maken.** Als er kortsluiting tussen de accuaansluitingen ontstaat, kunnen er brandwonden of brand ontstaan.
- **Als het accupack verkeerd wordt gebruikt, kan er vloeistof uit de accu komen; zorg dat u deze niet aanraakt. Als u per ongeluk in contact komt met de vloeistof, afspoelen met water. Als er vloeistof in de ogen komt dient u medische hulp in te roepen.** Vloeistof die uit accu's loopt, kan irritatie of brandwonden veroorzaken.
- **Gebruik geen accupack of product dat beschadigd of gewijzigd is.** Beschadigde of aangepaste accu's kunnen onvoorspelbaar gedrag vertonen, wat kan leiden tot brand, explosies of letsel.
- **Stel het accupack of product niet bloot aan vuur of hoge temperaturen.** Blootstelling aan vuur of temperaturen hoger dan 130 °C kan een explosie veroorzaken.
- **Volg alle oplaadinstructies op en laad de accu of het product niet op bij temperaturen die buiten het in de instructies gespecificeerde bereik vallen.** Door onjuist opladen of opladen bij temperaturen die buiten het gespecificeerde bereik liggen, kan de accu beschadigd raken en neemt het risico op brand toe.

Service

- **Laat uw elektrische apparaat repareren door een gekwalificeerde monteur en gebruik uitsluitend identieke vervangingsonderdelen.** Dit zorgt ervoor dat de veiligheid van het elektrisch gereedschap wordt gehandhaafd.
- **Voer nooit onderhoud uit aan beschadigde accupacks.** Onderhoud aan accupacks mag alleen worden uitgevoerd door de fabrikant of geautoriseerde dienstverleners.

Veiligheidswaarschuwingen doorslijpmachine

- **Voor optimale veiligheid moet de bijgeleverde beschermkap stevig op het gereedschap worden bevestigd en zo worden geplaatst dat er zo min mogelijk risico is op contact tussen wiel en**

- gebruiker. Zorg dat uzelf en omstanders afstand houden van het blad van het ronddraaiende wiel.** De kap beschermt de gebruiker tegen brokstukken van het wiel en onbedoeld aanraken van het wiel.
- **Gebruik alleen gebonden versterkte of diamanten doorslijpschijven voor uw elektrisch gereedschap.** Het feit dat een accessoire op de machine past, betekent niet dat een veilige werking is gegarandeerd.
 - **De nominale snelheid van een accessoire moet minstens zo groot zijn als de maximale snelheid van het gereedschap.** Accessoires die op een te hoge snelheid worden gebruikt, kunnen uit elkaar vliegen.
 - **Wielen mogen alleen worden gebruikt voor aanbevolen toepassingen. Probeer bijvoorbeeld niet te slijpen met de zijkant van de slijpschijf.** Een schurende slijpschijf is bedoeld voor omtrekslijpen – door kracht op de zijkant uit te oefenen zou de schijf uit elkaar kunnen vliegen.
 - **Gebruik altijd onbeschadigde wielflenzen die de juiste grootte en vorm hebben voor het gebruikte wiel.** De juiste wielflenzen ondersteunen het wiel en verminderen de kans dat het wiel breekt.
 - **Gebruik geen versleten, versterkte wielen van grotere elektrische gereedschappen.** Snijschijven bedoeld voor grotere elektrische gereedschappen zijn niet geschikt voor de hogere toerentallen van kleiner elektrisch gereedschap, en kunnen barsten bij gebruik in combinatie daarmee.
 - **De buitendiameter en de dikte van uw accessoire moeten binnen de capaciteit van het gereedschap passen.** Accessoires van de verkeerde grootte kunnen niet goed beschermd en bediend worden.
 - **Wielen en flenzen moeten nauwkeurig op de uitgaande as van het gereedschap passen.** Wielen en flenzen die niet nauwkeurig op de uitgaande as van het gereedschap passen, draaien ongelijkmatig, trillen sterk en kunnen ertoe leiden dat de controle verliest.
 - **Gebruik geen beschadigde wielen. Controleer voor het gebruik wielen altijd op afsplinteringen en scheuren. Als het gereedschap of het wiel valt, dient u te controleren of het beschadigd is, of gebruik een onbeschadigd wiel.** Als u het wiel hebt gecontroleerd en ingezet, laat u het gereedschap een minuut lang met het maximale toerental lopen. Daarbij dient u en dienen andere personen uit de buurt van het ronddraaiende wiel te blijven. Beschadigde wielen breken meestal tijdens deze testtijd.
 - **Draag altijd persoonlijke beschermingsuitrusting. Gebruik afhankelijk van de werkzaamheden gezichtsbescherming of een veiligheidsbril. Draag zo nodig een stofmasker, gehoorbescherming, handschoenen en een schort die kleine delen van het werkstuk kunnen tegenhouden.** De oogbescherming moet geschikt zijn om rondvliegende deeltjes tegen te houden die bij de werkzaamheden ontstaan. Het stofmasker of ademhalingsmasker moeten geschikt zijn om deeltjes uit de lucht te filteren. Langdurige blootstelling aan lawaai kan tot gehoorschade leiden.
- **Houd omstanders op een veilige afstand van het werkgebied. Iedereen die zich in het werkgebied bevindt moet persoonlijke beschermingsmiddelen dragen.** Brokstukken van het werkstuk of een gebroken wiel kunnen wegvliegen en verwondingen veroorzaken, ook buiten de directe werkomgeving.
 - **Houd het gereedschap alleen vast aan de geïsoleerde handgrepen tijdens het uitvoeren van werkzaamheden waarbij het snijtoebehoren in aanraking kan komen met verborgen bedrading.** Als het snijtoebehoren een onder stroom staande draad aanraakt, kan dit ervoor zorgen dat niet-geïsoleerde delen van het gereedschap ook onder stroom komen, waardoor de gebruiker een elektrische schok kan krijgen.
 - **Plaats het snoer uit de buurt van het draaiende accessoire.** Als u de controle verliest, kan het snoer worden doorgesneden of vast komen te zitten en kan uw hand of arm in het draaiende wiel worden getrokken.
 - **Leg het gereedschap nooit neer als het accessoire nog in beweging is.** Het draaiende wiel kan in contact komen met het oppervlak, waardoor u de controle over het gereedschap kunt verliezen.
 - **Laat het gereedschap niet draaien terwijl u het opzij draagt.** Door onbedoeld contact met het draaiende accessoire kan uw kleding worden gegrepen, waardoor het accessoire in aanraking met uw lichaam komt.
 - **Maak de ventilatieopeningen van het gereedschap geregeld schoon.** Door de ventilator van de motor wordt stof in de behuizing geblazen en door ophoping van metalen deeltjes kan er elektrisch gevaar ontstaan.
 - **Gebruik het gereedschap niet bij ontvlambare materialen.** Ze zouden door vonken in brand kunnen raken.
- ## Terugslag en daarmee verwante waarschuwingen
- **Terugslag is een plotselinge reactie op een geklemd of vastzittend ronddraaiend wiel.** Door klemmen of vastzitten valt het ronddraaiende wiel snel stil. Dat zorgt ervoor dat het ongecontroleerde gereedschap in de tegenovergestelde richting van de rotatie van het wiel wordt geforceerd op het punt van de verbinding.
 - **Bijvoorbeeld, als een slijpschijf in het werkstuk blijft klemzitten, dan zal de rand van de schijf zich in de oppervlakte van het materiaal graven waarna de schijf naar buiten schiet.** Het wiel kan in de richting van de gebruiker schieten of in de andere richting, afhankelijk van de bewegingsrichting van het wiel op het moment dat het vast bleef zitten. Een slijpschijf kan onder die omstandigheden ook breken.
 - **Terugslag is het gevolg van verkeerd gebruik van het gereedschap en/of verkeerde bedrijfsprocedures**

of -omstandigheden en kan worden vermeden door de juiste voorzorgsmaatregelen te nemen, zoals hieronder wordt beschreven.

- **Houd het gereedschap stevig vast en zorg ervoor dat lichaam en armen in een zodanige positie staan dat u de terugslagkrachten kunt weerstaan.** Maak steeds gebruik van het hulphandvat, als het aanwezig is, zodat u tijdens het opstarten maximale beheersing hebt over terugslag en koppelreacties. De gebruiker kan koppelreacties en terugslagkrachten beheersen met de juiste voorzorgsmaatregelen.
- **Houd uw hand nooit bij het draaiende accessoire.** Het accessoire kan over uw hand terugslaan.
- **Zorg dat uw lichaam niet in een lijn met het ronddraaiende wiel staat.** Bij terugslag schiet het gereedschap in een richting die tegengesteld is aan de beweging van het wiel, op het moment dat het wiel vastklemt.
- **Wees voorzichtig bij het werken langs hoeken, scherpe randen en dergelijke** zodat vermeden wordt dat het accessoire terug stuiteren en blijft vastzitten. Hoeken, scherpe randen en stuiten kunnen het ronddraaiende accessoire vastgrijpen waardoor u de macht over het gereedschap verliest of er terugslag optreedt.
- **Maak geen zaagketting, houtsnijblad of gesegmenteerde diamantschijf vast met een perifere opening van meer dan 10 mm of een getand zaagblad.** Dergelijke gereedschappen geven vaak terugslag en het gevaar dat u de macht over het gereedschap verliest.
- **"Knel" het wiel niet en oefen geen overmatige druk uit.** Probeer niet extra diep te zagen. Door overbelasting van het wiel vergroot u de kans dat het wiel verbuigt of in de snede blijft vastzitten, waardoor het wiel terugslaat of breekt.
- **Indien het wiel blijft vastzetten of de werkzaamheden moeten worden onderbroken, schakel het gereedschap dan uit en houd het stil tot het wiel volledig tot stilstand is gekomen.** Probeer nooit om het nog ronddraaiende wiel uit de groef te trekken. Anders kan een terugslag het gevolg zijn. Onderzoek de oorzaak van het vastzittende wiel en neem maatregelen om het probleem te verhelpen.
- **Herstart het gereedschap niet in het werkstuk.** Laat het wiel tot volle snelheid komen en breng het weer terug in de snede. Het wiel kan vastklemmen, weglipen of terugslaan als het gereedschap wordt gestart met het wiel in het werkstuk.
- **Ondersteun panelen en grote werkstukken om het gevaar op vastklemmen en terugslag te verkleinen.** Een groot werkstuk kan onder eigen gewicht doorzakken. Ondersteun het werkstuk in de buurt van de zaaglijn en aan de rand van het werkstuk, aan weerszijden van het wiel.
- **Wees extra voorzichtig wanneer u in een bestaande muur of in andere "blinde" oppervlakken zaagt.** Het uitstekende wiel kan een gas- of waterleiding,

elektrische bedrading of een ander object raken, wat terugslag kan veroorzaken.

Algemene veiligheidsinstructies



WAARSCHUWING: Lees de volgende waarschuwingen voordat u het product gaat gebruiken.

- Een doorslijpmachine kan bij onoplettend of onjuist gebruik een gevaarlijk apparaat zijn dat ernstig letsel of de dood kan veroorzaken. Het is erg belangrijk dat u deze bedieningshandleiding leest en begrijpt. Wij adviseren ook om nieuwe gebruikers praktijklessen te geven voordat zij het product gaan gebruiken.
- Breng geen wijzigingen aan dit product aan. Wijzigingen aan het product die niet zijn goedgekeurd door de fabrikant, kunnen leiden tot ernstig letsel of overlijden.
- Gebruik het product niet als de mogelijkheid bestaat dat andere personen wijzigingen aan het product hebben aangebracht.
- Gebruik altijd originele accessoires en reserveonderdelen. Accessoires en wijzigingen die niet zijn goedgekeurd door de fabrikant, kunnen leiden tot ernstig letsel of overlijden.
- Houd het product schoon. Zorg ervoor dat u de aanduidingen en stickers duidelijk kunt lezen.
- Laat de machine nooit gebruiken door kinderen of andere personen die niet zijn opgeleid voor het gebruik van of onderhoud aan het product.
- Zorg ervoor dat dit product alleen wordt gebruikt door personen die de inhoud van de gebruikershandleiding hebben gelezen en begrepen.
- Het product mag alleen worden gebruikt door goedgekeurde personen.
- De veiligheidsafstand voor de doorslijpmachine bedraagt 15 m. U dient ervoor te zorgen dat dieren en omstanders zich niet in het werkgebied bevinden.
- Dit product produceert tijdens bedrijf een elektromagnetisch veld. Dit veld kan onder bepaalde omstandigheden de werking van actieve of passieve medische implantaten verstoren. Om het risico op ernstig of fataal letsel te verminderen, raden we personen met een medisch implantaat aan om contact op te nemen met hun arts en de fabrikant van het medische implantaat voordat ze dit product gebruiken.
- De informatie in deze gebruikershandleiding kan nooit de kennis vervangen die een vakman via opleidingen en praktische ervaring heeft verworven. Wanneer u in een situatie belandt waarin u niet goed weet hoe u verder te werk moet gaan, moet u een expert raadplegen. Neem contact op met uw servicedealer. Vermijd gebruik waarvan u vindt dat u niet voldoende gekwalificeerd bent.

Veiligheid bij accu's



WAARSCHUWING: Lees de volgende waarschuwingen voordat u het product gaat gebruiken.



WAARSCHUWING: Een beschadigde accu kan exploderen en letsel veroorzaken. Als de accu vervormd of beschadigd is, neem dan contact op met een erkende Husqvarna servicewerkplaats.

- Gebruik uitsluitend de Husqvarna PACE-accu's die we voor uw product aanbevelen. De accu's zijn voorzien van softwarematige encryptie.
- Gebruik uitsluitend originele accu's voor dit product. Er bestaat explosiegevaar als de accu's worden vervangen door een accu van een onjuist type. Neem voor meer informatie contact op met uw dealer.
- Gebruik Husqvarna PACE-accu's die oplaadbaar zijn uitsluitend als stroombron voor de bijbehorende producten van Husqvarna. Gebruik de accu niet als voedingsbron voor andere apparaten, om letsel te voorkomen.
- Risico van elektrische schok. Breng de accuklemmen niet in contact met sleutels, schroeven of ander metaal. Dit kan kortsluiting van de accu veroorzaken.
- Als de accu lekt, zorg er dan voor dat de vloeistof niet in aanraking komt met uw huid, kleding of ogen. Als u in aanraking bent gekomen met de vloeistof, reinig het oppervlak dan met een ruime hoeveelheid water en raadpleeg een arts.
- Draag een veiligheidsbril wanneer u zich in de buurt van accu's begeeft. Wrijf niet in uw ogen wanneer u vloeistof in uw ogen krijgt, maar spoel uw ogen minstens 15 minuten met water. Roep medische hulp in.
- Gebruik geen accu's die niet oplaadbaar zijn.
- Breng geen wijzigingen aan de accu aan.
- Plaats geen voorwerpen in de luchtspleten van de accu.
- Bescherm de accu tegen direct zonlicht, warmte of open vuur. De accu kan een explosie en brandwonden en/of chemische brandwonden veroorzaken.
- Bescherm de accu tegen regen en vocht.
- Houd de accu uit de buurt van magnetrons en hoge druk.
- Probeer de accu niet te demonteren of te slopen.
- Gebruik de accu alleen als de omgevingstemperatuur tussen -5°C / 23°F en 40°C / 104°F ligt.
- Reinig de accu of acculader nooit met water. Zie *Accu en acculader reinigen op pagina 143*.
- Gebruik geen defecte of beschadigde accu.

- Sla accu's op uit de buurt van metalen voorwerpen, bijvoorbeeld spijkers, schroeven en sieraden.
- Houd de accu buiten het bereik van kinderen.
- Monteer de accu op de juiste manier. Een verkeerd aangesloten accu kan kortsluiting van de accu veroorzaken.

Veiligheidsvoorschriften voor acculader



WAARSCHUWING: Lees alle veiligheids waarschuwingen en alle instructies. Het niet opvolgen van de waarschuwingen en instructies kan leiden tot elektrische schokken, brand en/of ernstig letsel.

- Risico van elektrische schok of kortsluiting wanneer de veiligheidsinstructies niet worden opgevolgd.
- Gebruik geen andere acculader dan die bij uw product is geleverd. Gebruik uitsluitend Husqvarna-acculaders 100-C900X of 100-C1800X om de originele PACE-accu's van Husqvarna te laden.
- Probeer de acculader niet te demonteren.
- Gebruik geen defecte of beschadigde acculader.
- Til de acculader niet op aan de voedingskabel. Trek aan de stekker om de acculader uit de wandcontactdoos te halen. Trek niet aan de voedingskabel.
- Houd alle kabels en verlengsnoeren uit de buurt van water, olie en scherpe kanten. Let op dat de kabel niet bekneld raakt tussen deuren, hekken en dergelijke.
- Gebruik de acculader niet in de buurt van brandbare materialen of materialen die corrosie kunnen veroorzaken. Controleer of de acculader niet is afgedekt. Haal de stekker van de acculader uit de wandcontactdoos bij rookontwikkeling of brand.
- De accu mag alleen binnenshuis worden opgeladen op een plek met voldoende ventilatie en zonder direct zonlicht. Laad de accu niet buiten op. Laad de accu niet op in vochtige omstandigheden.
- Laad de accu alleen op wanneer de omgevingstemperatuur tussen 5°C / 41°F en 40°C / 104°F ligt. Gebruik de lader in droge, stofvrije omgevingen met goede ventilatie.
- Plaats geen voorwerpen in de luchtspleten van de acculader.
- Verbind de contacten van de acculader niet met metalen objecten, omdat dit kortsluiting in de acculader kan veroorzaken.
- Laad geen niet-oplaadbare accu's op in de acculader en gebruik deze ook niet in de machine.
- Gebruik goedgekeurde stopcontacten die niet beschadigd zijn.

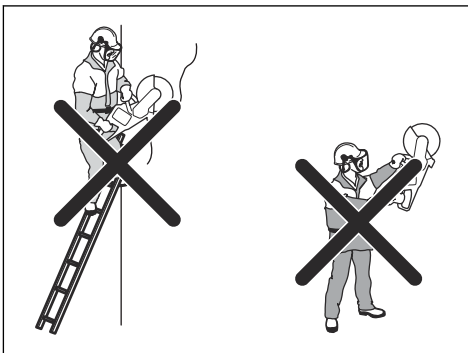
Veiligheidsinstructies voor bediening



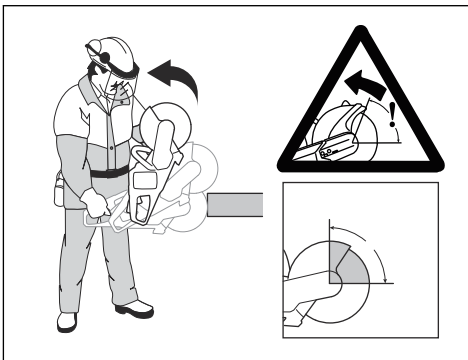
WAARSCHUWING: Lees alle veiligheidswaarschuwingen en alle instructies. Het niet opvolgen van de waarschuwingen en instructies kan leiden tot elektrische schokken, brand en/of ernstig letsel.

- Zaag nooit asbestmaterialen.
- Zorg bij droog zagen dat stof veilig wordt verwijderd.
- De informatie in deze handleiding kan vakkennis en ervaring niet vervangen. Als u het apparaat gebruikt in een situatie waarin u zich niet veilig voelt, schakel het apparaat dan direct uit. Gebruik het product niet in onbekende situaties.
- Neem contact op met uw servicedealer of Husqvarna als u vragen hebt over de werking van het product. Wij kunnen u informatie geven over hoe u uw product op veilige wijze en met het beste resultaat bedient.
- Gebruik een product, accu of acculader niet als deze defect is.
- Raak een draaiend zaagblad niet aan. Dit kan leiden tot ernstig letsel of de dood.
- Gebruik het product niet in ongunstige weersomstandigheden, zoals dichte mist, hevige regen, harde wind en hevige kou. Slechte weersomstandigheden kunnen leiden tot risico's zoals ijs op de grond.
- Start een product pas nadat alle kappen en afschermingen correct zijn gemonteerd.
- Controleer de omgeving. Zorg ervoor dat omstanders of dieren u niet zodanig kunnen aanraken of beïnvloeden, dat u de controle over het apparaat verliest.
- Laat het product niet door kinderen bedienen; houd het buiten hun bereik. Het product is eenvoudig te starten. Dit kan ernstig letsel tot gevolg hebben.
- Verwijder de accu wanneer u geen volledig zicht hebt op het product. Verwijder de accu wanneer u het product gedurende een lange periode niet gebruikt.
- U moet op stabiele ondergrond staan om het product volledig onder controle te houden. Gebruik het product niet als u op een ladder staat. Gebruik het product alleen als u op een stabiele ondergrond staat.

- Gebruik het product niet boven schouderhoogte.



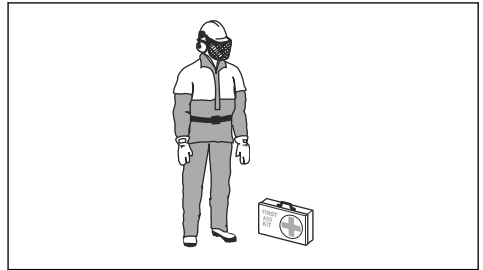
- Als u niet oplet, wordt het risico op terugslag groter.



- Gebruik het apparaat niet met één hand. U kunt dit product niet veilig onder controle houden met één hand.
- Gebruik het product nooit in een situatie waarin u niet om hulp kunt roepen indien zich een ongeval voordoet.
- Zorg ervoor dat u veilig kunt bewegen. Controleer de omstandigheden en het terrein rondom u op eventuele obstakels.
- Als men teveel wordt blootgesteld aan trillingen, kan dit tot bloedvat- en zenuwbeschadigingen leiden bij personen die een slechte bloedsomloop hebben. Consulteer uw dokter wanneer u symptomen heeft die wijzen op te grote blootstelling aan trillingen. Voorbeelden van zulke symptomen zijn slapen, geen gevoel, "kriebels", "speldeprikkels", pijn, geen of minder kracht, huidverkleuringen of veranderingen van het huidoppervlak. Deze symptomen komen meestal voor op vingers, handen of polsen. Deze symptomen kunnen toenemen bij koude temperaturen.
- Het is niet mogelijk om elke situatie te vermelden die u kunt tegenkomen als u dit product gebruikt. Wees altijd voorzichtig en gebruik uw gezond verstand.

- **Let op:** Nadat u het gereedschap hebt bediend, moet de gehoorbescherming direct na het voltooiën van de zaagwerkzaamheden worden verwijderd, zodat u geluiden en waarschuwingssignalen kunt opmerken.

- Houd altijd een EHBO-kit in de buurt.



Persoonlijke beschermingsuitrusting



WAARSCHUWING: Lees de volgende waarschuwingen voordat u het product gaat gebruiken.

- Gebruik altijd goedgekeurde persoonlijke beschermingsmiddelen wanneer u het product gebruikt. Een persoonlijke beschermingsuitrusting elimineert de risico's niet, maar vermindert de ernst van het letsel als er toch een ongeluk gebeurt. Vraag uw servicedealer om advies bij de keuze van de juiste uitrusting.
- Draag een goedgekeurde veiligheidshelm.
- Gebruik goedgekeurde gehoorbescherming. Langdurige blootstelling aan lawaai kan leiden tot permanente gehoorbeschadiging. Let op waarschuwingssignalen of geroep wanneer u gehoorbescherming draagt. Doe de gehoorbescherming altijd af zodra de motor is gestopt.
- Gebruik goedgekeurde oogbescherming om het risico op letsel door wegslingerende voorwerpen te verlagen. Wanneer u gezichtsbescherming gebruikt, moet u ook een goedgekeurde veiligheidsbril gebruiken. Met een goedgekeurde veiligheidsbril wordt een bril bedoeld die voldoet aan norm ANSI Z87.1 voor de VS en EN 166 voor de EU-landen. Een vizier moet voldoen aan norm EN 1731.
- Draag handschoenen van dikke stof.
- Gebruik goedgekeurde ademhalingsbescherming. Het gebruik van producten zoals doorslijpmachines, slijpparaten en boren om materiaal te schuren of te vormen, kan stof en dampen veroorzaken die gevaarlijke chemicaliën kunnen bevatten. Controleer de aard van het materiaal dat u wilt bewerken en draag een geschikt stofmasker.
- Gebruik nauwsluitende, sterke en comfortabele kleding die u volledige bewegingsvrijheid geeft. Slijpen veroorzaakt vonken die kleding kunnen doen ontbranden. Husqvarna adviseert om kleding van brandvertragend katoen of zware jeansstof te dragen. Draag geen kleding die is vervaardigd van nylon, polyester, rayon of een vergelijkbaar materiaal. Bij ontbranding kan dergelijk materiaal met de huid versmelten. Draag geen korte broek.
- Gebruik laarzen met stalen neus en antislipzool.

- Het zaagblad kan vonken afgeven. Zorg dat er altijd een brandblusmiddel beschikbaar is.

Veiligheidsvoorzieningen op het product

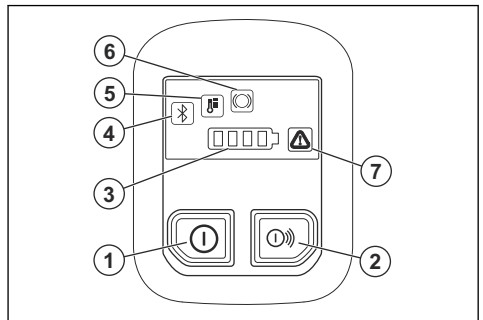


WAARSCHUWING: Lees de volgende waarschuwingen voordat u het product gaat gebruiken.

- Gebruik het product nooit wanneer de veiligheidsvoorzieningen defect zijn.
- Controleer de veiligheidsvoorzieningen regelmatig op een juiste werking. Als de veiligheidsvoorzieningen defect zijn, neemt u contact op met uw Husqvarnaerkende servicewerkplaats.
- Voer geen veranderingen aan de veiligheidsvoorzieningen uit.
- U mag het product niet gebruiken als beschermingsplaten, afschermingen, veiligheidsschakelaars of andere veiligheidsvoorzieningen defect zijn of ontbreken.

Functies van de gebruikersinterface

In deze bedieningshandleiding worden de functies van het bedieningspaneel van het product beschreven. Het bedieningspaneel bestuurt belangrijke functies en instellingen van het product. Zie *Problemen met het product oplossen op pagina 144* voor oplossingen voor de waarschuwingen.

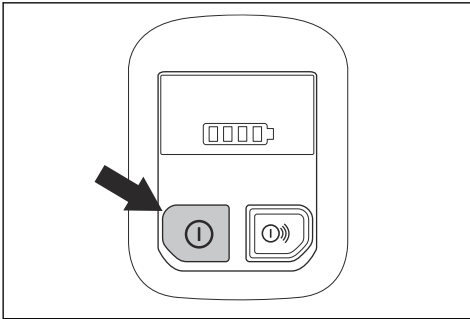


1. Knop ON/OFF.
2. Knop ON/OFF accessoires (niet in gebruik).

- Statuslampje accu.
- Bluetooth®. Zie *Draadloze Bluetooth®-technologie op pagina 136*.
- Waarschuwinglampje temperatuur, hoog of laag. Zie *Problemen met het product oplossen op pagina 144*.
- X-Halt-waarschuwing. Zie *Problemen met het product oplossen op pagina 144*.
- Fout-/waarschuwinglampje. Zie *Problemen met het product oplossen op pagina 144*.

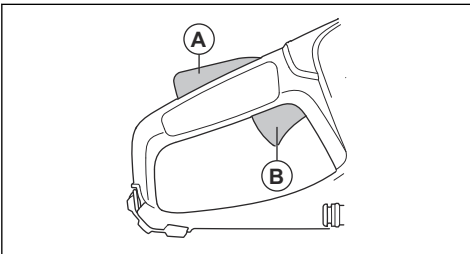
Het bedieningspaneel controleren

- Houd de knop ON/OFF ingedrukt totdat de led gaat branden. Zie *Product starten op pagina 140*.
- Houd de knop ON/OFF ingedrukt totdat de led uit gaat.



Vergrendeling voedingsschakelaar

De vergrendeling van de activeringsschakelaar voorkomt dat de activeringsschakelaar per ongeluk wordt ingeschakeld. Als u uw hand rond de handgreep plaatst en de vergrendeling van de activeringsschakelaar (A) indrukt, laat deze de activeringsschakelaar los. Als u de handgreep loslaat, bewegen de activeringsschakelaar en de vergrendeling weer terug naar hun beginposities.



De automatische stopfunctie

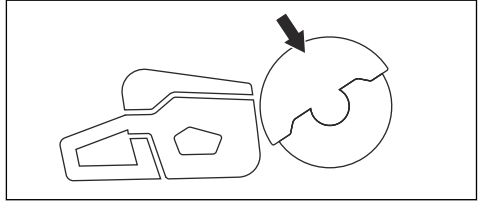
Het product is voorzien van een automatische stopfunctie die het product stopt als u het 3 minuten lang niet gebruikt.

Bladbeschermkap



WAARSCHUWING: Zorg ervoor dat de bladbeschermkap correct is bevestigd voordat u het product inschakelt. Gebruik het product niet als de bladbeschermkap ontbreekt, defect is of barsten heeft.

De bladbeschermkap is aangebracht boven het zaagblad. De bladbeschermkap voorkomt letsel als delen van het blad of stukken van het gesneden materiaal in de richting van de gebruiker worden geworpen.



Het blad en de bladbeschermkap controleren

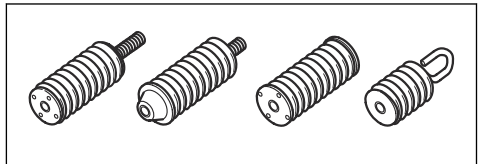


WAARSCHUWING: Een beschadigd zaagblad kan letsel veroorzaken.

- Controleer of het zaagblad correct is gemonteerd en geen gebreken vertoont.
- Controleer of de bladbeschermkap scheuren heeft of beschadigd is.
- Vervang de bladbeschermkap als deze beschadigd is.

Trillingdempingssysteem

Uw product is uitgerust met een trillingsdempingssysteem dat is ontworpen om trillingen te minimaliseren en de bediening te vergemakkelijken. Het trillingsdempingssysteem van het product reduceert het overbrengen van trillingen van de motoreenheid/snijuitrusting op de handgriepeneenheid van het product.



Trillingdempingssysteem controleren



WAARSCHUWING: Zorg ervoor dat de motor uitgeschakeld is en dat de accu is losgekoppeld.

1. Controleer de trillingdempers op scheuren of vervorming. Vervang de trillingsdempers als deze beschadigd zijn.
2. Controleer of de trillingdempers op de juiste wijze zijn bevestigd op de motor en de handgreep.

Trillingsveiligheid



WAARSCHUWING: Lees de volgende waarschuwingen voordat u het product gaat gebruiken.

- Tijdens het gebruik van het product gaan trillingen van het product naar de gebruiker. Regelmatig en frequent gebruik van het product kan letsel bij de gebruiker veroorzaken of verergeren. Letsel kan optreden in vingers, handen, polsen, armen, schouders en/of zenuwen en bloedtoevoer of andere lichaamsdelen. Het letsel kan slepend en/of blijvend zijn, en het kan geleidelijk toenemen in de loop van weken, maanden of jaren. Het letsel kan bestaan uit schade aan het bloedcirculatiesysteem, het zenuwstelsel, de gewrichten en andere lichaamsstructuren.
- Symptomen kunnen zich voordoen tijdens het gebruik van het product of op andere momenten. Als u symptomen hebt en het product blijft gebruiken, kunnen de symptomen toenemen of permanent worden. Als deze of andere symptomen zich voordoen, neem dan medische hulp:
 - Verstijving, gevoelloosheid, tintelingen, prikken, pijn, een brandend gevoel, kloppen, stijfheid, onhandigheid, krachtverlies, veranderingen in huidskleur of conditie.
- Symptomen kunnen toenemen bij lage temperaturen. Gebruik warme kleding en houd uw handen warm en droog wanneer u het product in koude omgevingen gebruikt.
- Voer onderhoud uit aan en bedien het product zoals vermeld in de gebruikershandleiding, om een correct trillingsniveau te handhaven.
- Het product heeft een trillingsdempingsysteem dat de trillingen van de handgrepen naar de gebruiker vermindert. Laat het product het werk doen. Duw het product niet met kracht vooruit. Houd het product lichtjes vast aan de handgrepen, maar zorg ervoor dat u het product onder controle hebt en het veilig bedient. Duw de handgrepen niet verder dan nodig tegen de eindaanslagen.
- Houd uw handen alleen op de handgrepen. Houd alle andere lichaamsdelen uit de buurt van het product.
- Stop het product onmiddellijk als er plotseling sterke trillingen optreden. Ga niet verder met het gebruik tot de oorzaak van de toegenomen trillingen is weggenomen.
- Het zagen van graniet of hard beton veroorzaakt meer trillingen in het product dan wanneer u zacht beton snijdt. Snijuitrusting die stomp, defect, van het

onjuiste type of verkeerd geslepen is, verhoogt het trillingsniveau

Veiligheidsinstructies voor onderhoud



WAARSCHUWING: Lees de volgende waarschuwingen voordat u onderhoud aan het product gaat uitvoeren.

- Verwijder de accu voordat u onderhoud of andere controles uitvoert, of het product demonteert.
- De gebruiker mag alleen de onderhouds- en servicewerkzaamheden uitvoeren die in deze bedieningshandleiding zijn beschreven. Ga naar uw servicedealer voor verdergaande service- of onderhoudswerkzaamheden.
- Reinig de accu of acculader nooit met water. Sterke reinigingsmiddelen kunnen schade aan het kunststof veroorzaken.
- Als u geen onderhoud uitvoert, verkort dit de levenscyclus van het product en vergroot het risico op ongevallen.
- Voor alle service en reparaties is speciale training vereist, vooral voor de veiligheidsvoorzieningen op het product. Als niet alle controles in deze bedieningshandleiding een goed resultaat geven nadat u onderhoud hebt uitgevoerd, ga dan naar uw servicedealer. Wij garanderen dat u daar professionele reparaties en service voor uw product krijgt.
- Gebruik alleen originele reserveonderdelen.

Bluetooth®



OPGELET: Wijzigingen of aanpassingen aan deze apparatuur die niet uitdrukkelijk zijn goedgekeurd door Husqvarna kunnen resulteren in het vervallen van de FCC-vergunning om deze apparatuur te mogen gebruiken.

Let op: Dit apparaat voldoet aan Deel 15 van de FCC-voorschriften en aan de RSS-standaard van Industry Canada met betrekking tot vrijstelling van licenties. Het gebruik is onderworpen aan de volgende twee voorwaarden:

- Dit apparaat mag geen schadelijke interferentie veroorzaken
- Dit apparaat moet eventueel ontvangen interferentie altijd accepteren, inclusief interferentie die een ongewenste werking veroorzaakt.

Le présent appareil est conforme aux CNR d'Industrie Canada applicables aux appareils radio exempts de licence. L'exploitation est autorisée aux deux conditions suivantes:

- l'appareil ne doit pas produire de brouillage, et

- l'appareil doit accepter tout brouillage radioélectrique subi, même si le brouillage est susceptible d'en compromettre le fonctionnement.

Montage

Zaagbladen



WAARSCHUWING: Draag altijd veiligheidshandschoenen wanneer u het product in elkaar zet.



WAARSCHUWING: Een zaagblad kan kapot gaan en ernstig letsel bij de gebruiker veroorzaken.



WAARSCHUWING: Controleer het zaagblad vóór gebruik op scheuren, vervorming of onbalans van verloren segmenten en onmiddellijk nadat het tegen een onbedoeld voorwerp is geraakt. Gebruik nooit een beschadigd zaagblad. Als u het zaagblad hebt gecontroleerd en ingezet, laat u het gereedschap een minuut lang met het maximale toerental lopen. Daarbij dient u en dienen andere personen uit de buurt van het ronddraaiende zaagblad te blijven.



WAARSCHUWING: De fabrikant van het zaagblad verstrekt waarschuwingen en aanbevelingen voor gebruik en correct onderhoud van het zaagblad. Deze waarschuwingen worden meegeleverd met het zaagblad. Lees en volg de bij het zaagblad meegeleverde instructies.

Trilling zaagblad



OPGELET: Als u het product met te veel kracht gebruikt, kan het zaagblad oververhit raken, buigen en trillingen veroorzaken. Gebruik het product met minder kracht. Vervang het zaagblad wanneer de trillingen aanhouden.

Geschikte zaagbladen



OPGELET: Gebruik Husqvarna aanbevolen zaagbladen voor K1 PACE het te zagen materiaal. De aanbevolen zaagbladen verminderen het risico op ernstig letsel en verhogen de zaag- en X-Halt-prestaties. Als algemene zaagbladen met hoge snelheid worden gebruikt, zullen de prestaties en zaagkwaliteit afnemen.



WAARSCHUWING: Gebruik alleen diamantzaagbladen en gebonden abrasieve bladen voor beton en metaal. Gebruik nooit getande bladen zoals bladen bedoeld voor het zagen van hout of hardmetalen bladen. Dit vergroot de kans op terugslag en het afbreken van tanden bij hoge toerentallen. Dit kan leiden tot letsel of de dood.



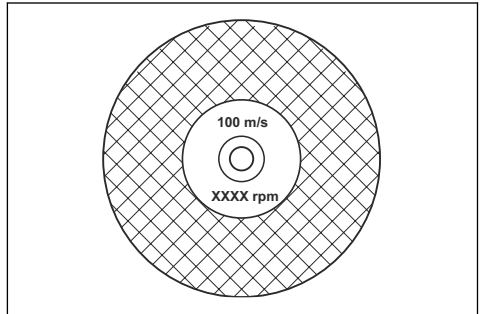
WAARSCHUWING: Gebruik een zaagblad nooit voor ander materiaal dan waarvoor het is bedoeld.



WAARSCHUWING: Gebruik alleen zaagbladen die in overeenstemming zijn met de nationale of regionale normen, bijvoorbeeld EN12413, ANSI B7.1. of EN13236.



WAARSCHUWING: Gebruik geen zaagblad met een nominale toerentalwaarde lager dan die van het product. De nominale toerentalwaarde van het zaagblad is aangegeven op het zaagblad en die van het product is aangegeven op het productplaatje.



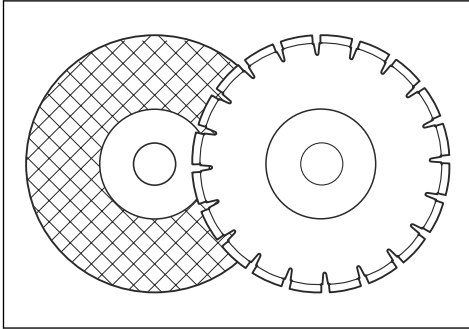
Let op: Veel zaagbladen die aan dit product kunnen worden gekoppeld, worden gemaakt voor stationair zagen. De nominale toerentalwaarde van deze zaagbladen is te laag voor dit product.



WAARSCHUWING: Gebruik geen zaagbladen die dikker zijn dan de

aanbevolen maximale dikte. Zie *Technische gegevens* op pagina 147.

- Zaagbladen voor dit product zijn verkrijgbaar in twee basismodellen: gebonden abrasieve bladen en diamantbladen.



- Zorg ervoor dat het middengat van het zaagblad de juiste afmeting heeft voor de geïnstalleerde spilbus.

Zaagbladen



WAARSCHUWING: Gebruik droogzaagbladen niet in combinatie met water. Water heeft een negatieve invloed op de sterkte van de zaagbladen en verhoogt het risico op zaagbreuk.



OPGELET: Bij gebruik van het Vac-hulpstuk is slijpen met een droogzaagblad niet toegestaan. Het gebruik van droogzaagbladen veroorzaakt overmatige slijtage van het Vac-hulpstuk.

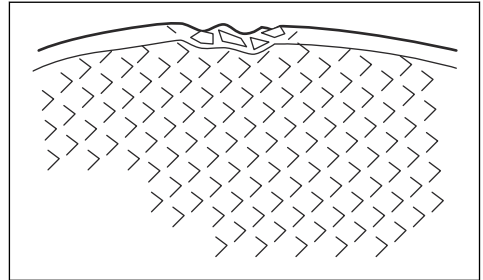


WAARSCHUWING: Gebruik geschikte zaagbladen voor de betreffende materialen.

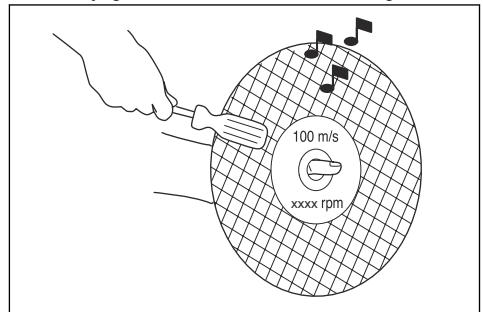
- Gebruik geen snijwielen van grotere elektrische gereedschappen. Snijwielen van grotere elektrische gereedschappen zijn niet geschikt voor de hogere toerentallen van kleiner elektrisch gereedschap, en kunnen breken bij gebruik in combinatie daarmee.
- Het snijdende materiaal van zaagbladen is gebonden met een natuurlijk materiaal met een grindgebonden middel. Zaagbladen op textiel- of vezelbasis zijn sterker. Dit type zaagblad breekt tijdens gebruik niet bij scheuren of schade aan het blad.
- De prestaties van een zaagblad zijn afhankelijk van de grootte van de schuurkorrel en de soort en de hardheid van het bindmiddel.

Het droogzaagblad controleren

- Controleer of het zaagblad geen scheuren of beschadigingen vertoont.



- Hang het zaagblad aan uw vinger en tik licht met een schroevendraaier op het blad. Als u geen duidelijk geluid hoort, is het blad beschadigd.



Diamantzagen



WAARSCHUWING:

Diamantzaagbladen worden zeer heet tijdens het gebruik. Een te heet diamantzaagblad levert slechte prestaties, veroorzaakt schade aan het blad en is een veiligheidsrisico.

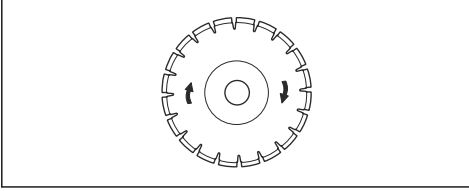


WAARSCHUWING:

Gebruik diamantzaagbladen nooit voor het zagen van kunststoffen. Het hete diamantzaagblad kan het plastic doen smelten, wat terugslag kan veroorzaken.

- Diamantzaagbladen hebben een stalen kern, met segmenten die zijn gemaakt van industriële diamanten.
- Diamantzaagbladen worden gebruikt bij metselwerk, gewapend beton en steen.

- Zorg ervoor dat het diamantzaagblad draait in de richting van de pijlen op het diamantzaagblad.



- Gebruik altijd een scherpe diamantzaag.
- Diamantzaagbladen kunnen bot worden als u een onjuiste invoerdruk gebruikt of wanneer u materialen zoals hard gewapend beton zaagt. Als u een bot diamantzaagblad gebruikt, zal dit te heet worden, waardoor de diamantsegmenten losraken.

Het zaagblad slijpen

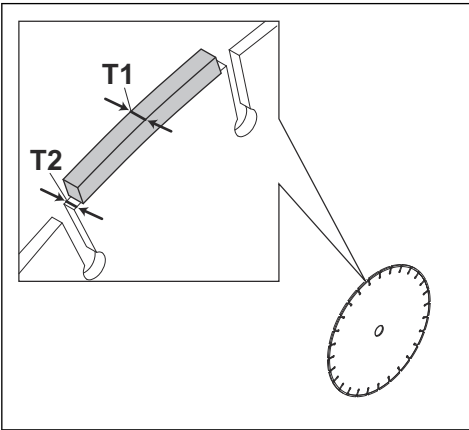
Let op: Gebruik een scherp zaagblad voor de beste resultaten.

- Zaag om het blad te slijpen in een zacht materiaal, zoals zandsteen of baksteen.

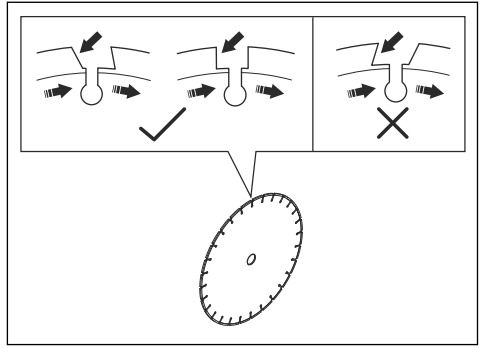
Diamantzaagblad - vereisten



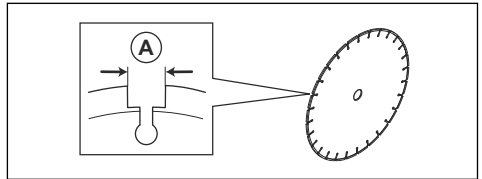
WAARSCHUWING: Zorg dat het diamantsegment (T1) breder is dan het blad (T2). Dit om beknelling in de sleuf en terugslag te voorkomen.



WAARSCHUWING: Gebruik geen diamantzaagbladen met positieve spaanhoeken.



WAARSCHUWING: Gebruik geen diamantzaagbladen met segmenten met een grotere opening dan max. 10 mm (A).



WAARSCHUWING: Gebruik geen diamantzaagbladen die dikker zijn dan die maximale aanbevolen dikte zie *Technische gegevens op pagina 147*.



WAARSCHUWING: Bepaalde zaagsituaties en bladen van slechte kwaliteit kunnen leiden tot overmatige slijtage aan de zijkant van de segmenten. Vervang het zaagblad voordat het is versleten.

Diamantzaagbladen voor natzagen



WAARSCHUWING: Gebruik altijd een bladflens met een afmeting die is gespecificeerd voor de afmeting van het huidige blad. Gebruik geen beschadigde bladflenzen.

Tijdens gebruik kan frictie ervoor zorgen dat het diamantzaagblad zeer heet wordt. Als het diamantzaagblad te heet wordt, neemt de spanning van het zaagblad af of barst de kern.

Laat het diamantzaagblad afkoelen voordat u het aanraakt.

- Diamantzaagbladen voor nat zagen moeten in combinatie met water worden gebruikt om te zorgen dat de kern van het diamantzaagblad en de segmenten koel blijven tijdens het zagen.

Diamantzaagbladen voor nat zagen kunnen niet worden gebruikt voor droog zagen.

- Als u diamantzaagbladen voor nat zagen gebruikt, maar geen water gebruikt, kan het diamantzaagblad te heet worden. Dit leidt tot slechte prestaties en schade aan het blad, en leidt daarnaast tot een veiligheidsrisico.

Diamantzaagbladen voor droogzagen

- Voor diamantzaagbladen voor droogzagen is het noodzakelijk om een voldoende luchtstroom rond het zaagblad te hebben om de temperatuur te verlagen. Daarom worden diamantzaagbladen voor droogzagen alleen aanbevolen voor intermitterend bedrijf. Na enkele seconden bedrijf moet het diamantzaagblad vrij draaien, weg van de zaagsnede. Hierdoor kan de luchtstroom rond het blad de temperatuur van het diamantzaagblad verlagen.

Getande bladen

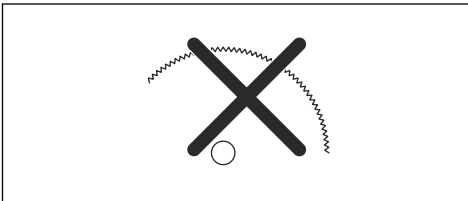


WAARSCHUWING: Gebruik nooit getande bladen of schijven bedoeld voor het zagen van hout, cirkelvormige getande bladen, hardmetalen bladen, etc. Dit vergroot de kans op terugslag en het afbreken van tanden bij hoge toerentallen. Achteloosheid kan resulteren in ernstig of zelfs dodelijk persoonlijk letsel.



WAARSCHUWING:

Overheidsvoorschriften vereisen een ander type beschermkap voor hardmetalen zaagbladen dan het type waarmee doorslijpmachines zijn uitgerust – een zogenaamde 360-gradenbeschermkap. Doorslijpmachines (waaronder deze zaag) maken gebruik van diamantzaagbladen en hebben een ander beschermingssysteem, dat geen bescherming biedt tegen de gevaren die gerelateerd zijn aan het gebruik van houtzaagbladen.



Het gebruik van deze doorslijpmachine met een zaagblad met hardmetaal opgelegde tanden is onveilig en in strijd met de arboregels.

Vanwege het gevaarlijke karakter en de zware omstandigheden van brandbestrijdings- en reddingsoperaties die worden uitgevoerd door

de diverse, zeer goed getrainde openbare veiligheidsorganisaties en veiligheidsprofessionals (brandweerkorpsen), is Husqvarna zich ervan bewust dat zij deze doorslijpmachine in bepaalde noodsituaties mogelijk zullen gebruiken in combinatie met hardmetalen bladen, aangezien deze in staat zijn om diverse typen obstakels door te zagen en er niet altijd gelegenheid is om bladen of machines te verwisselen. Houd er bij het gebruik van deze doorslijpmachine rekening mee dat hardmetalen bladen gevoeliger zijn voor terugslag dan diamantzaagbladen, indien ze niet op de juiste wijze worden gebruikt. Bij hardmetalen bladen kunnen ook stukjes materiaal vanaf het blad wegspringen.

Daarom mag een doorslijpmachine met een hardmetalen zaagblad uitsluitend worden gebruikt door zeer goed getrainde openbare-veiligheidsprofessionals die op de hoogte zijn van de risico's die met het gebruik ervan gepaard gaan, en uitsluitend in veeleisende omstandigheden waarin andere gereedschappen inefficiënt en ineffectief worden geacht voor brandbestrijdings- of reddingsoperaties. Een doorslijpmachine die is uitgerust met een hardmetalen blad mag nooit worden gebruikt voor het zagen van hout, tenzij bij reddingsoperaties.

De spilas en de flensringen inspecteren



WAARSCHUWING: Gebruik uitsluitend Husqvarna-flensringen. De minimale diameter bedraagt 105 mm/4,1 inch voor gebonden abrasieve bladen en 60 mm/2,36 inch voor diamantzaagbladen.



WAARSCHUWING:

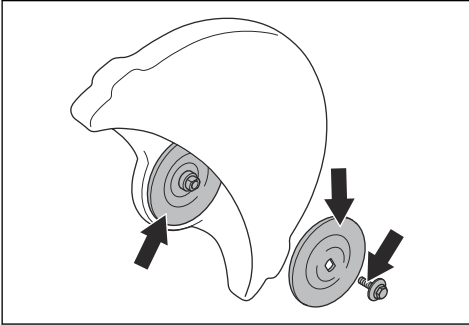
De kleine flensringen met het diamantzaagbladsymbool mogen uitsluitend worden gebruikt in combinatie met diamantzagen. Het gebruik van onjuiste flensringen op een gebonden abrasief blad verhoogt het risico op defecten en verwondingen.



WAARSCHUWING: Gebruik geen defecte, versleten of vuile flensringen. Gebruik alleen flensringen van dezelfde afmetingen. Door verkeerde flensringen kan het zaagblad beschadigd raken of losraken.

Controleer de spilas en de flensringen wanneer u het zaagblad vervangt.

1. Controleer de schroefdraad op de spil as op beschadiging. Vervang beschadigde onderdelen.



2. Controleer of de contactvlakken op het zaagblad en de flensringen niet beschadigd zijn. Vervang beschadigde onderdelen.
3. Controleer of de flensringen schoon zijn en de juiste afmeting hebben.
4. Controleer of de flensringen vrij bewegen op de spil as.

Het zaagblad monteren

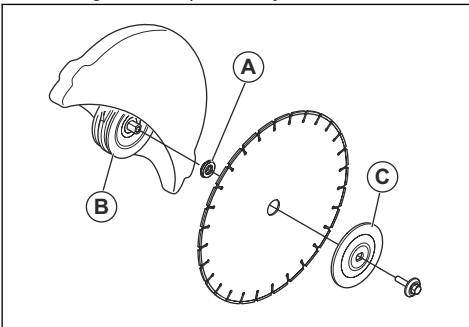


WAARSCHUWING: Zorg ervoor dat de motor uitgeschakeld is en dat de accu is losgekoppeld.

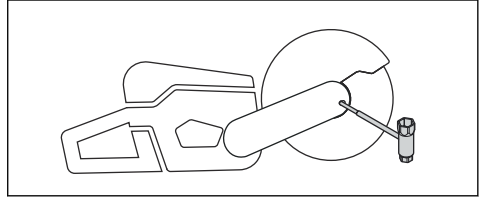


WAARSCHUWING: Draag altijd veiligheidshandschoenen wanneer u het product in elkaar zet.

1. Controleer de flensringen en de spindel as. Zie *De spil as en de flensringen inspecteren op pagina 131*.
2. Plaats het zaagblad op de spil bus (A) tussen de binnenste flensring (B) en de flensring (C). Draai de flensring tot deze op de as blijft zitten.



3. Steek een stuk gereedschap in het gat in de riembescherming en draai het blad tot de as is vergrendeld.

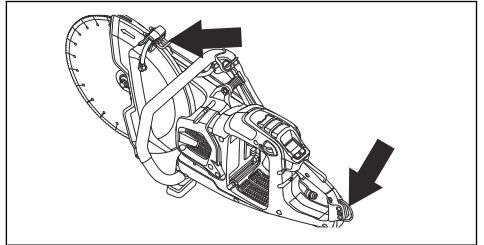


4. Draai de zaagbladbout vast tot 30 Nm/18,5 ft-lb.

Oogje voor riem (K1 PACE Rescue)

Het product heeft 2 oogjes voor de riem. De oogjes worden gebruikt om de schouderband te bevestigen.

Het oogje kan worden gebruikt voor het bevestigen van het product op een vast voorwerp om te voorkomen dat het valt. Als het product valt, kan er ernstig letsel of schade aan het product ontstaan.



Werking

Inleiding



WAARSCHUWING: Zorg dat u het hoofdstuk over veiligheid hebt gelezen en begrepen voordat u het product gebruikt.

Terugslag

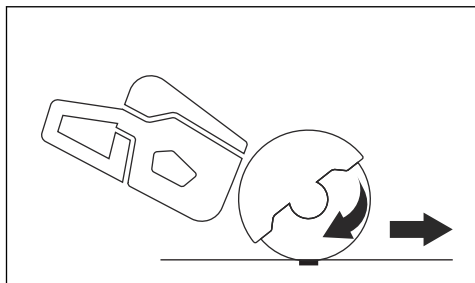


WAARSCHUWING: Een terugslag treedt plotseling op en kan erg hevig zijn. De doorslijpmachine kan omhoog schieten en met een draaiende beweging tegen de gebruiker aan worden geworpen, wat ernstig of zelfs fataal letsel kan veroorzaken. Het is van essentieel belang dat u, voordat u het product gaat gebruiken, begrijpt waardoor terugslag wordt veroorzaakt en hoe u dit kunt voorkomen.

Terugslag is een plotselinge opwaartse beweging die kan optreden wanneer het zaagblad vastslaat of stilvalt in de terugslagrisico-sector. Een terugslag is meestal gering en levert weinig gevaar op. Een terugslag kan echter ook zeer hevig zijn en de doorslijpmachine omhoog laten schieten en met een draaiende beweging terugwerpen naar de gebruiker, wat ernstig of zelfs fataal letsel kan veroorzaken.

Reactieve kracht

Bij het zagen is er altijd sprake van een reactieve kracht. Deze kracht trekt het product in tegengestelde richting ten opzichte van de bladrotatie. Meestal is deze kracht verwaarloosbaar. Als het zaagblad vastslaat of stilvalt, zal de reactieve kracht echter sterk zijn, waardoor u de macht over de doorslijper kunt verliezen.

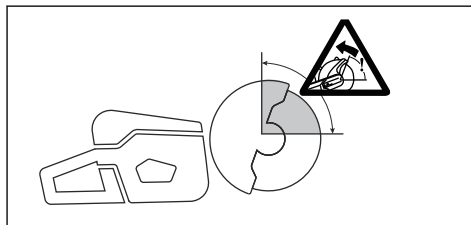


Verplaats het product nooit wanneer de snijuitrusting draait. Gyroscopische krachten kunnen de beoogde beweging belemmeren

Terugslagrisicozone

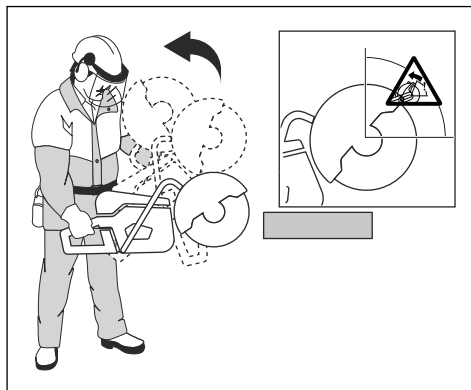
Gebruik de terugslagrisico-sector van het zaagblad nooit om te zagen. Als het zaagblad vastslaat of stilvalt

in de terugslagrisico-sector zal de reactieve kracht de doorslijpmachine omhoog duwen en in een draaiende beweging terugwerpen naar de gebruiker, wat ernstig of zelfs fataal letsel kan veroorzaken.



Roterende terugslag

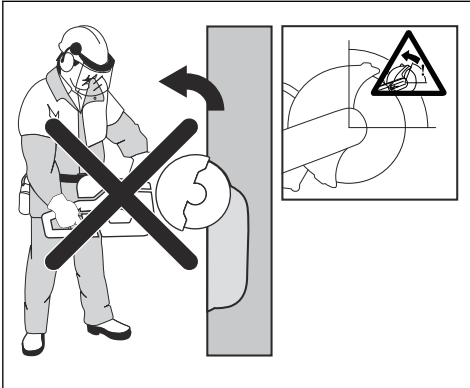
Een roterende terugslag treedt op wanneer het zaagblad niet vrij beweegt in de terugslagrisico-sector.



Terugslag door "klimmen"

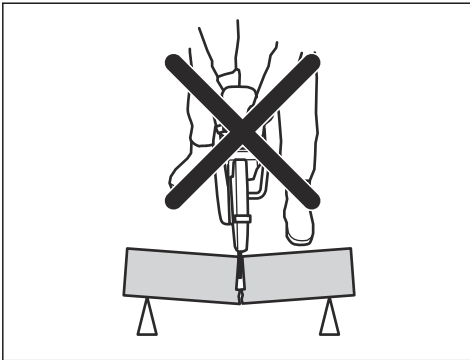
Als de terugslagrisicozone wordt gebruikt om te zagen, zal het zaagblad in de zaagsnede "klimmen" als gevolg van de reactieve kracht. Gebruik de terugslagrisico-sector van het zaagblad niet. Gebruik het

onderste kwadrant van het zaagblad om terugslag door "klimmen" te voorkomen.



Terugslag door vastslaan

Vastslaan treedt op wanneer de zaagsnede dichtklat en het zaagblad blokkeert. Als het zaagblad vastslaat of stilvalt, zal de reactieve kracht echter sterk zijn, waardoor u de macht over de doorslijpmachine kunt verliezen.



Als het zaagblad vastslaat of stilvalt in de terugslagrisicosector zal de reactieve kracht de doorslijpmachine omhoog duwen en in een draaiende beweging terugwerpen naar de gebruiker, wat ernstig of zelfs fataal letsel kan veroorzaken. Wees alert op mogelijke verplaatsing van het werkstuk. Als het werkstuk niet goed wordt ondersteund en verschuift tijdens het zagen, kan het blad vastslaan en een terugslag veroorzaken.

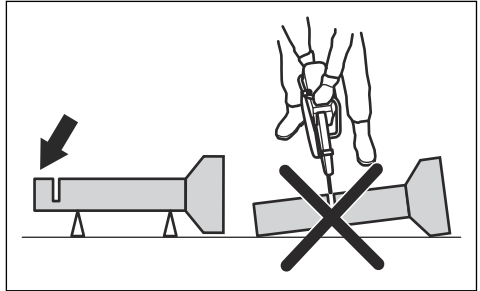
Buizen doorslijpen

Wees extra voorzichtig bij het snijden van pijpen. Als de pijp niet goed wordt ondersteund en de snede tijdens het slijpen niet wordt opgehouden, kan het blad worden vastgeklemd. Wees extra alert bij het snijden van een pijp met klokvormig uiteinde of een pijp die in

een sleuf ligt. Als deze onvoldoende wordt ondersteund, kan deze doorbuigen en het blad vastklemmen.

Als de leiding kan wegzakken en de zaagsnede daarmee afsluit, zal het zaagblad in de terugslagrisico-sector vastslaan en mogelijk een ernstige terugslag veroorzaken. Als de pijp goed wordt ondersteund, zal het uiteinde van de pijp naar beneden buigen, blijft de snede open en wordt het blad niet vastgeklemd.

Zet de leiding vast, zodat deze niet beweegt of valt tijdens het snijden. Zorg ervoor dat de snede open blijft om vastklemmen van het blad te voorkomen.



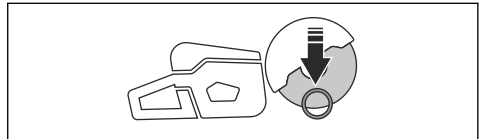
Snijden in kleinere pijpen



WAARSCHUWING: Als het blad wordt vastgeklemd in de terugslagrisicozone, zal dat een ernstige terugslag veroorzaken.

Als de pijp diameter kleiner is dan de maximale snijdiepte van het product, kan het doorslijpen in 1 stap van boven naar beneden worden uitgevoerd.

- Slijp de pijp van boven naar beneden door.



Doorslijpen van pijpen met grotere diameters

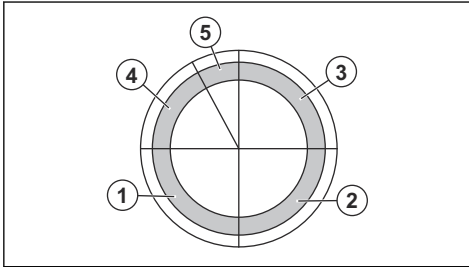


WAARSCHUWING: Als het blad wordt vastgeklemd in de terugslagrisicozone, zal dat een ernstige terugslag veroorzaken.

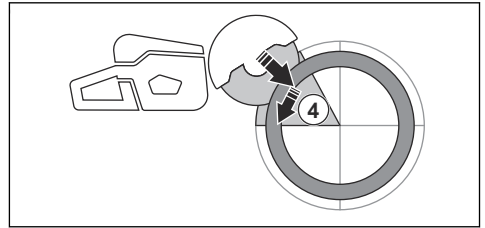
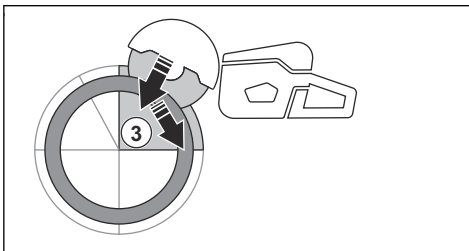
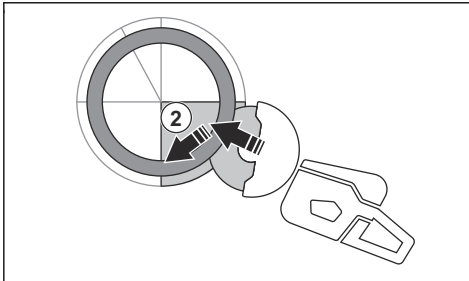
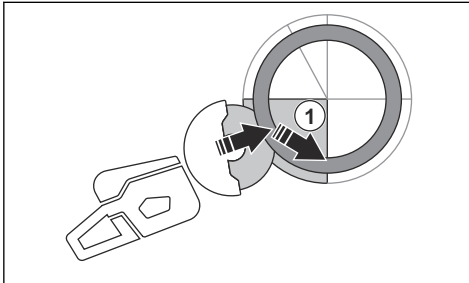
Als de pijp een grotere diameter heeft dan de maximale snijdiepte van het product, en de pijp niet kan worden gerold, moet het doorslijpen in 5 stappen worden uitgevoerd.

- Stel de beschermkap in op pijp doorsnijden. Zie *Instellen op de modus voor pijpsnijden op pagina 138*.

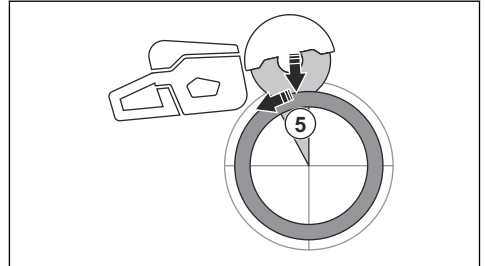
- Verdeel de pijp in 5 delen. Markeer deze delen en teken een snijlijn af. Slijp een ondiepe geleidegroef rondom de pijp.



- Slijp deze delen in 5 stappen door in de snijrichtingen die in elke stap worden aangegeven door de pijlen.



- Maak de laatste snede vanaf de bovenkant van de pijp, waarbij u het product naar achteren trekt, zonder daarbij het bovenste kwadrant van het blad te gebruiken. Zet de bladbeschermkap in de voorste stand voor maximale bescherming.



WAARSCHUWING: Als de pijp goed wordt ondersteund, mag deze het blad niet vastklemmen wanneer deze wordt doorgezaagd in deel 5. Wees er echter alert op dat het blad vastgeklemd kan raken tijdens de laatste snede. Als het blad in het onderste gedeelte wordt vastgeklemd, kan het product van de gebruiker worden weg getrokken, in plaats van roterend terug te slaan.

Een terugslag voorkomen



WAARSCHUWING: Voorkom situaties waar risico op terugslag bestaat. Wees voorzichtig bij het gebruik van uw doorslijpmachine en zorg ervoor dat het mes nooit vastslaat in de terugslagrisico-sector.



WAARSCHUWING: Wees voorzichtig als u het blad in een bestaande snede plaatst.

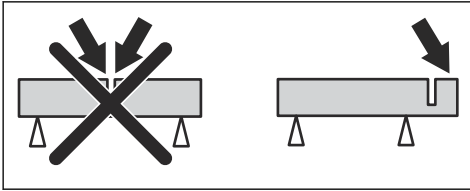


WAARSCHUWING: Zorg dat het werkstuk niet kan bewegen tijdens het zagen.



WAARSCHUWING: Alleen uzelf en een juiste werktechniek kunnen terugslag en de bijbehorende risico's elimineren.

- Ondersteun het werkstuk altijd, zodat de snede open blijft tijdens het zagen. Wanneer de zaagsnede open is, treedt er geen terugslag op. Wanneer de zaagsnede gesloten raakt en het zaagblad vastslaat, bestaat er een terugslagrisico.



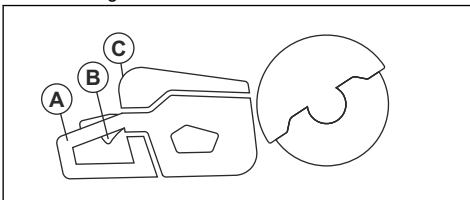
X-Halt

De X-Halt-functie is een elektronisch remsysteem dat wordt ingeschakeld als er een terugslag optreedt. De functie kan persoonlijk letsel door een terugslag niet volledig voorkomen, maar vermindert het risico wel. Een veilige werktechniek is noodzakelijk om terugslag te voorkomen en de kans op verwondingen te verkleinen.

De X-Halt-functie is altijd ingeschakeld wanneer het product aan staat. Als de functie is ingeschakeld, toont de gebruikersinterface het X-Halt-afnemende symbool totdat het product is afgekoeld. Zie *Functies van de gebruikersinterface op pagina 125*. Zie *Problemen met het product oplossen op pagina 144* voor meer informatie.

Voordat u het product gebruikt

1. Lees de gebruikershandleiding zorgvuldig door en zorg dat u de instructies hebt begrepen.
2. Voer dagelijks onderhoud uit. Zie *Onderhoudsschema op pagina 141*.
3. Zorg ervoor dat er alleen goedgekeurde personen in het werkgebied zijn.
4. Zorg ervoor dat u stabiel en veilig staat tijdens het gebruik.
5. Zorg ervoor dat de wateraansluiting is aangesloten op een watertoevoer. Zie *Het koelwater aansluiten op pagina 140*.
6. Controleer of de achterste handgreep (A) niet beschadigd is.

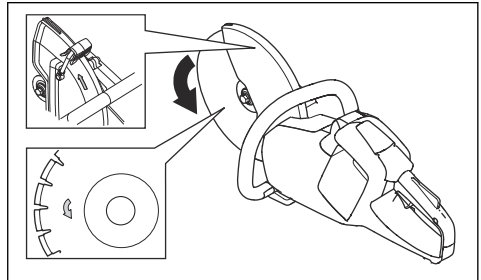


7. Controleer de vergrendeling van de activeringsschakelaar (B) om ervoor te zorgen dat deze juist functioneert en niet is beschadigd.
8. Controleer het bedieningspaneel (C) om ervoor te zorgen dat het juist werkt.

9. Controleer of alle onderdelen en beschermkappen correct zijn aangebracht en niet beschadigd zijn of ontbreken.
10. Laad de accu op en controleer of deze correct is bevestigd aan het product. Gebruik uitsluitend -accu's.
11. Zorg dat de doorslijpmachine stopt wanneer u de activeringsschakelaar loslaat.

De draairichting van het zaagblad controleren

1. Zoek de pijl op de achterste beschermkap die de draairichting van de spindelass aangeeft.



2. Zoek de pijl op de bladbeschermkap die de draairichting van het zaagblad aangeeft.
3. Zorg ervoor dat de richtingspijl van het zaagblad en de spindelass dezelfde richting hebben.

De spilbus controleren

De spilbussen worden gebruikt om het product passend te maken voor het middengat van het zaagblad. Het product is voorzien van spilbussen die geschikt zijn voor middengaten van 20 mm / 0,79 inch or 25,4 mm / 1 inch.

- Zorg ervoor dat de afmeting van het middengat van het zaagblad overeenkomt met de geïnstalleerde spilbus. De diameter van het middengat is afgedrukt op het zaagblad.
- Gebruik alleen spilbussen van Husqvarna.

Draadloze Bluetooth®-technologie

Producten met ingebouwde draadloze Bluetooth®-technologie kunnen verbinding maken met mobiele apparaten en bieden extra functies vanaf het moment dat er Husqvarna verbinding wordt gemaakt.

Het symbool voor draadloze Bluetooth®-technologie gaat branden als uw mobiele apparaat is verbonden met het apparaat.



Geïntegreerde connectiviteit gebruiken met fleet

Let op: Dit onderdeel is alleen van toepassing op producten die worden geleverd met geïntegreerde connectiviteit.

Let op: Radiotransmissie door de Bluetooth®-functie wordt ingeschakeld wanneer het product voor het eerst wordt aangesloten op een accu en blijft daarna ingeschakeld.

1. Download de Husqvarna Fleet Services-app voor iOS of Android.
2. Ga naar de Husqvarna Fleet Services-website <https://fleetervices.husqvarna.com> voor meer informatie.

Aansluiten van de acculader



WAARSCHUWING: Gebruik de acculader uitsluitend bij omgevingstemperaturen tussen 5°C/41°F en 40°C/104°F.

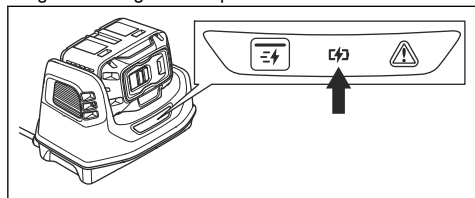
1. Sluit de acculader alleen aan als de spanning en frequentie overeenkomen met de specificaties op het productplaatje.
2. Steek de stekker in een geaard stopcontact. De led op de acculader licht eenmaal groen op.

De accu aansluiten op de acculader

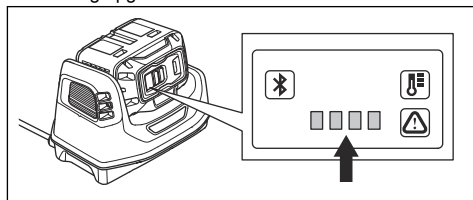
Let op: Laad de accu op als u deze voor de eerste keer gebruikt. Een nieuwe accu is slechts 30% opgeladen.

Let op: De accu zal niet worden geladen als de temperatuur van de accu te hoog is. Laat de accu afkoelen voordat u gaat laden

1. Zorg ervoor dat de accu droog is.
2. Plaats de accu in de acculader.
3. Zorg ervoor dat het groene laadlampje op de acculader gaat branden. Dat betekent dat de accu goed is aangesloten op de acculader.



4. Wanneer alle LED's op de accu branden, is de accu volledig opgeladen.



5. Trek aan de stekker om de acculader uit de wandcontactdoos te halen. Trek niet aan de kabel.
6. Haal de accu uit de acculader.

Let op: Raadpleeg de handleidingen van de accu en de acculader voor meer informatie.

Basistechnieken



WAARSCHUWING: Beweeg de doorslijpmachine niet opzij. Dit kan de vrije beweging van het blad verhinderen en leiden tot breken van het blad en letsel.



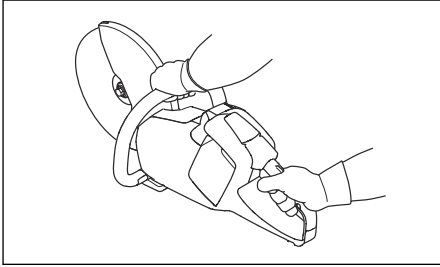
WAARSCHUWING: Gebruik de zijkant van het blad niet. Het blad kan beschadigd en gebroken raken, wat kan leiden tot letsel. Gebruik alleen de zaagkant.



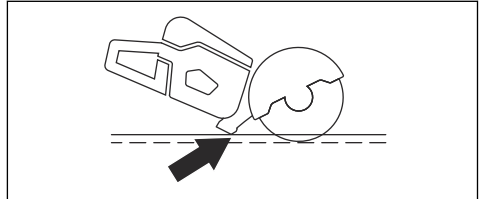
WAARSCHUWING: Gebruik een diamantzaagblad nooit voor het zagen van kunststoffen. Door de warmte die tijdens het zagen wordt gegenereerd, kan het kunststof smelten. Gesmolten kunststof kan aan het zaagblad blijven plakken en terugslag veroorzaken.

- Het product is gemaakt voor diamantzaagbladen met een hoge zaagsnelheid die zijn goedgekeurd voor handbediende doorslijpmachines. Gebruik Husqvarna-aanbevolen zaagbladen voor het product.
- Het product is gemaakt voor het zagen in tegels, licht beton en steen. Gebruik het product alleen voor deze werkzaamheden.
- Controleer of het zaagblad geen tekenen vertoont van beschadiging en of het correct is bevestigd, zie *Zaagbladen op pagina 129* en *Het zaagblad monteren op pagina 132*.
- Gebruik altijd het correcte zaagblad voor de gewenste werkzaamheden, zie *Zaagbladen op pagina 128*.
- Zaag nooit asbestmaterialen.
- Houd de doorslijpmachine altijd met 2 handen vast. Houd het product stevig vast met duimen en vingers rond de hendels. Houd de achterhandgreep vast

met uw rechterhand en de voorhandgreep met uw linkerhand.

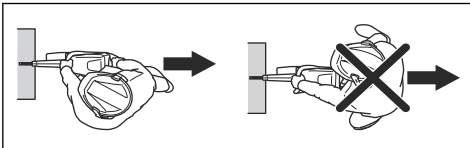


verzamelt rondvliegend zaagsel en stof en houdt dit uit de buurt van de gebruiker.

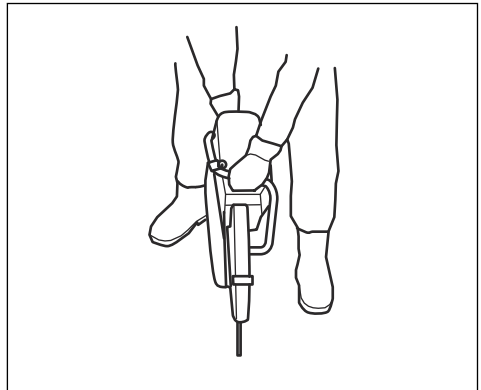


- Ga altijd parallel aan het zaagblad staan. Ga niet in een rechte lijn achter het zaagblad staan. In het geval van terugslag zal de doorslijpmachine in het horizontale vlak van het zaagblad bewegen.

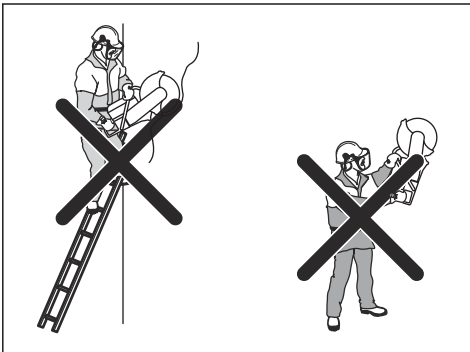
- Zaag met vol gas. Laat het product op vol vermogen draaien tot de zaagwerkzaamheden zijn voltooid.
- Druk het zaagblad lichtjes tegen het te zagen voorwerp. Gebruik geen kracht.
- Plaats het zaagblad in één lijn met de zaagsnede.



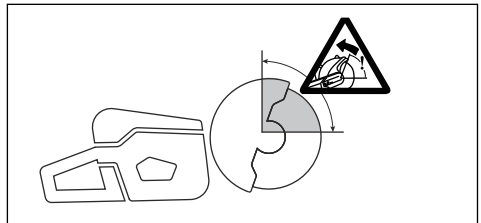
- Houd afstand tot het zaagblad wanneer de motor draait.
- Zorg dat u stabiel staat tijdens de bediening.
- Houd voldoende afstand van het zaagvoorwerp.
- Zaag nooit boven schouderhoogte. Gebruik een platform of een steiger als u boven schouderhoogte moet werken. Voorkom overstrekken.
- Bedien het product niet op een ladder.



- Beweeg het zaagblad langzaam naar voren en naar achteren om de ruimte tussen het zaagblad en het materiaal kleiner te maken. Op deze manier wordt de temperatuur van het zaagblad verlaagd.



- Zorg dat het zaagblad vrij is wanneer de motor wordt gestart.
- Houd het product altijd in de gaten wanneer de motor draait.
- Beweeg het product niet wanneer het zaagblad draait. Het product heeft een elektrische vertrager om de stoptijd van het blad te reduceren.
- Zorg dat de voorste grondsteun gelijk ligt met de achterzijde van het werkstuk. De bladbeschermkap



- Zaag niet met de terugslagrisicosector van het blad, zie *Terugslagrisicozone op pagina 133*.

Instellen op de modus voor pijpsnijden



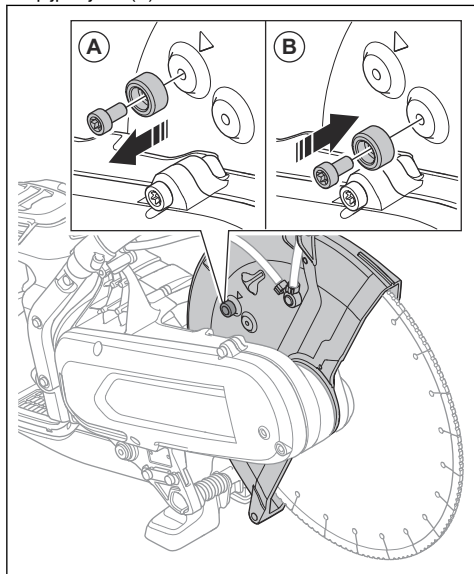
WAARSCHUWING: De afstelhandgreep voor de beschermkap kan erg heet worden; gebruik handschoenen als u de beschermkap afstelt.



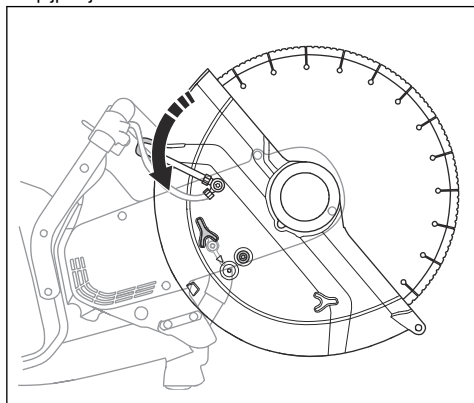
WAARSCHUWING: Gebruik de modus voor pijpsnijden uitsluitend voor het doorsnijden van pijpen. Gebruik de standaard snijmodus voor alle andere werkzaamheden

De modus voor pijpsnijden maakt het snijden van pijpen in de terugslagzone mogelijk.

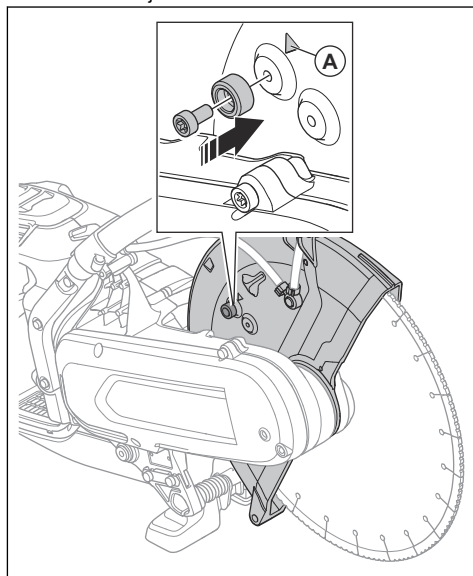
1. Verplaats de aanslagbout van de beschermkap van de standaard snijmodus (A) naar de modus voor pijpsnijden (B).



2. Trek aan de afstelhandgreep om de modus voor pijpsnijden te activeren.



3. Zet na het snijden van de pijp de aanslagbout terug op de standaard snijmodus. De pijl (A) geeft de standaard snijmodus aan.



Nat zagen



OPGELET: Gebruik geen Vac-apparatuur in combinatie met het systeem voor nat zagen.

- Diamantzaagbladen voor natzagen moeten worden gebruikt in combinatie met het systeem voor natzagen.
- Water koelt het zaagblad en verlengt de levensduur ervan, terwijl het ook stofvorming vermindert.
- Zorg bij natzagen dat het restwater veilig wordt opgevangen.

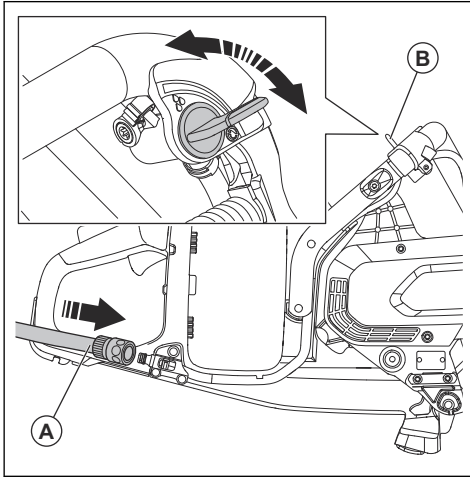
Stof verminderen tijdens bedrijf

Het product is voorzien van een set voor nat zagen om schadelijk stof in de lucht tijdens het gebruik te verminderen. De set voor nat zagen heeft een laag waterverbruik.

- Gebruik indien mogelijk natte zaagbladen met waterkoeling. Zie *Diamantzaagbladen voor natzagen op pagina 130*.
- Stel de waterstroom af met de klep. De correcte stroom varieert voor verschillende soorten taken.
- Zorg voor de juiste waterdruk. Zie *Technische gegevens op pagina 147*. Als de waterslang losraakt bij de toevoerbron, kan de geleverde waterdruk te hoog zijn.

Het koelwater aansluiten

1. Sluit de waterslang aan op de watertoevoer (A).



2. Draai aan het waterventiel (B) om de waterstroom te starten of te stoppen.
3. Controleer de wateraansluiting en de slang op lekkage.
4. Zorg ervoor dat de waterdruk de maximaal toegestane waterdruk niet overstijgt, zie *Technische gegevens op pagina 147*.

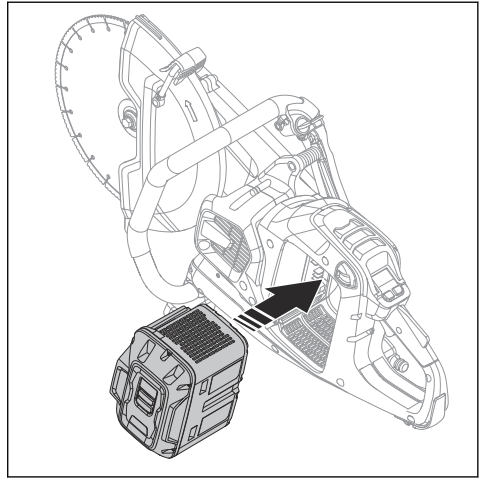
Droog zagen

- Bij droogzagen trekt u het blad elke 30-60 seconden uit de zaagsnede en laat u dit 10 seconden in de lucht te laten draaien om af te koelen.
- Gebruik indien mogelijk Vac-apparatuur.

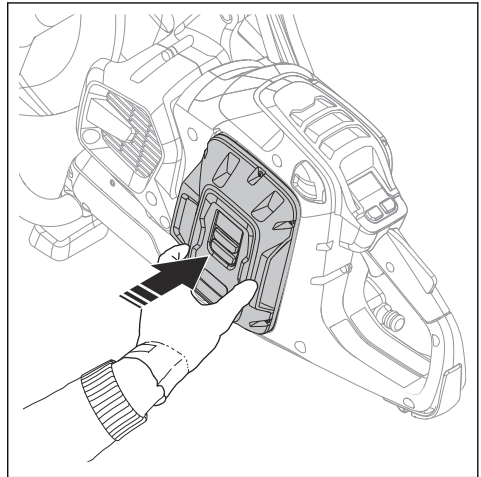
Product starten

1. Controleer de voedingsschakelaar en de vergrendeling. Zie *De vergrendeling van de activeringsschakelaar controleren op pagina 142*.

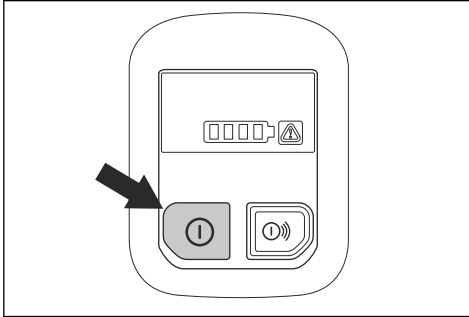
2. Plaats de accu in de accuhouder.



3. Druk op het onderste gedeelte van de accu totdat u een klik hoort. De accu moet zonder veel moeite in de accuhouder klikken, anders is deze niet goed geplaatst.



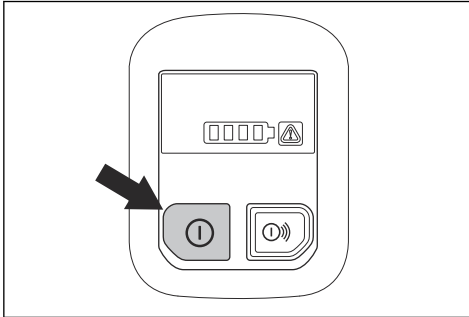
4. Houd de knop ON/OFF ingedrukt totdat de groene led gaat branden.



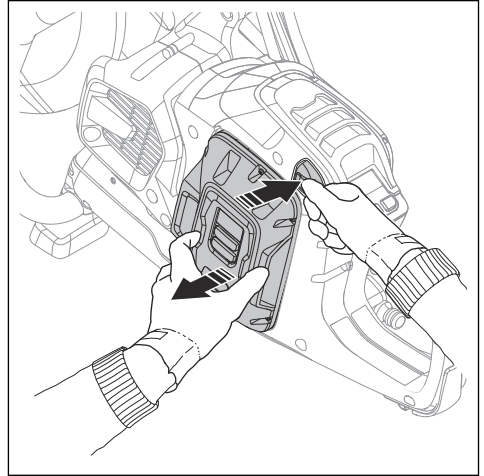
5. Druk op de activeringsschakelaar om de motor te starten.

Product stoppen

1. Laat de activeringsschakelaar los.
2. Houd de knop ON/OFF op het bedieningspaneel ingedrukt totdat de groene led uit gaat.



3. Druk op de accu-ontgrendelknop en verwijder de accu uit de accuhouder.



WAARSCHUWING: Verwijder de accu als u het product niet gebruikt of geen volledig zicht hebt op het product. Hiermee voorkomt u dat het product onbedoeld wordt gestart.

Onderhoud

Inleiding



WAARSCHUWING: Zorg dat u het hoofdstuk over veiligheid hebt gelezen en begrepen voordat u onderhoudswerkzaamheden aan het product gaat uitvoeren.



WAARSCHUWING: Verwijder de accu voordat u onderhoud aan het product uitvoert.



WAARSCHUWING: Als u niet regelmatig onderhoud uitvoert, neemt de

levensduur van het product af en neemt het risico op ongevallen toe. Alle onderhouds- en/of reparatiewerkzaamheden moeten door een professional worden uitgevoerd. Neem voor meer informatie contact op met uw dealer.

Onderhoudsschema

Hieronder volgt een lijst van het onderhoud dat u aan het product moet uitvoeren.

Onderhoud	Vóór gebruik	Wekelijks	Maandelijks
Reinig de externe onderdelen van het product.	X		
Controleer of de voedingsschakelaar en de vergrendeling van de voedingsschakelaar correct werken vanuit veiligheidsoogpunt.	X		
Controleer het zaagblad. Let op scheuren en zorg dat het zaagblad niet overmatig versleten is. Vervang indien nodig.	X		
Reinig de ventilatorbehuizing van het product.	X		
Controleer of de schroeven en moeren goed zijn vastgedraaid.	X		
Controleer of het bedieningspaneel correct werkt en niet beschadigd is.	X		
Controleer de verbindingen tussen de accu en het product. Controleer de verbinding tussen de accu en de acculader.			X
Blaas voorzichtig perslucht door het product en de accu.			X

Buitenkant reinigen

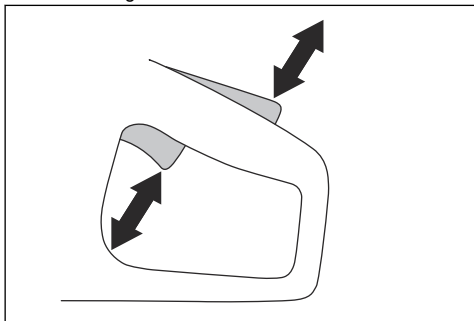


WAARSCHUWING: Reinig het product niet met een hogedrukspuit.

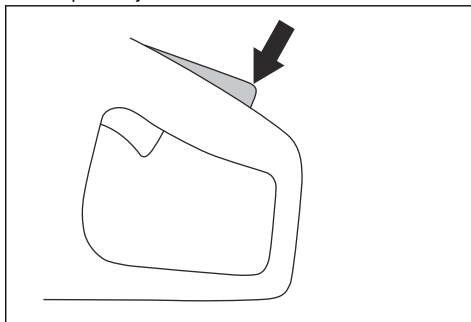
- Spoel de buitenkant van het product na elke werkdag met schoon water af. Gebruik indien nodig een borstel.

De vergrendeling van de activeringsschakelaar controleren

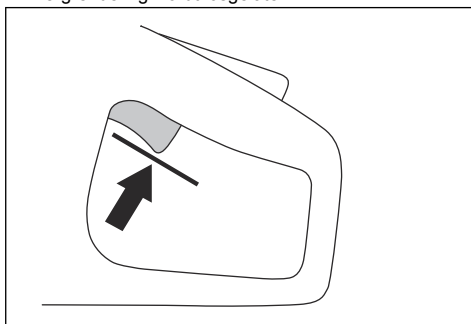
1. Zorg ervoor dat de activeringsschakelaar en de vergrendeling vrij kunnen bewegen en dat de retourveer goed werkt.



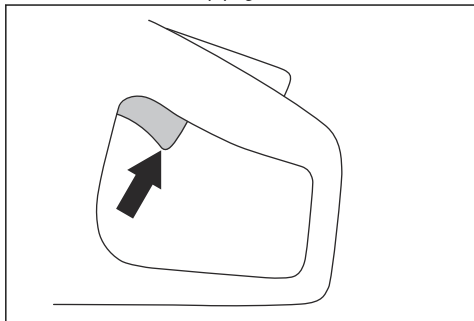
2. Duw de vergrendeling van de activeringsschakelaar omlaag en controleer of deze terugkeert naar de oorspronkelijke stand wanneer u hem loslaat.



3. Controleer of de activeringsschakelaar in de stationaire stand is vergrendeld wanneer de vergrendeling wordt losgelaten.



4. Houd de knop ON/OFF ingedrukt om het product te starten en laat het product op vol vermogen draaien. Zie *Product starten op pagina 140*.



5. Laat de activeringsschakelaar los en zorg ervoor dat het zaagblad stopt. Als het zaagblad draait terwijl de activeringsschakelaar in de stationaire stand staat, neem dan contact op met uw servicedealer.

Accu en acculader reinigen



WAARSCHUWING: Reinig de accu of acculader nooit met water.

- Zorg ervoor dat de accu en de acculader schoon en droog zijn voordat u de accu in de acculader plaatst.
- Reinig de accupolen met perslucht of gebruik een zachte en droge doek.
- Reinig de oppervlakken van de accu en de acculader met een zachte en droge doek.

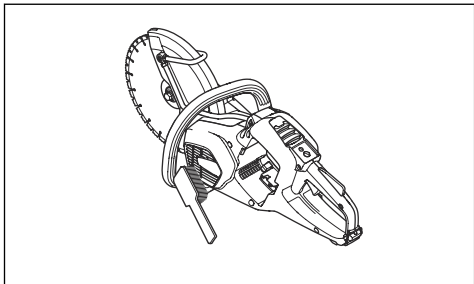
Het laadniveau van de accu controleren

1. Controleer de acculader en voedingskabel niet zijn beschadigd. Controleer op scheuren en andere gebreken.

Koelsysteem reinigen

Het product heeft een koelsysteem om de temperatuur zo laag mogelijk te houden.

Het koelsysteem is voorzien van een luchtinlaat aan de linkerkant van het product en een ventilator op de motor.



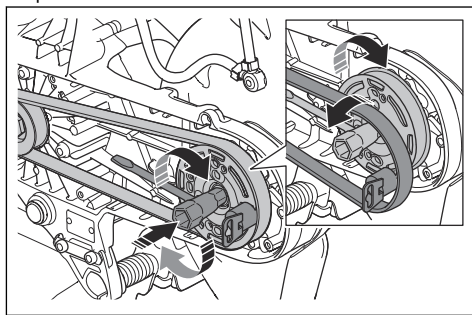
1. Reinig het koelsysteem één keer per week met een borstel, of vaker indien nodig.
2. Zorg ervoor dat het koelsysteem niet vuil is of verstopt.



OPGELET: Een vuil of verstopt koelsysteem kan leiden tot oververhitting van het product.

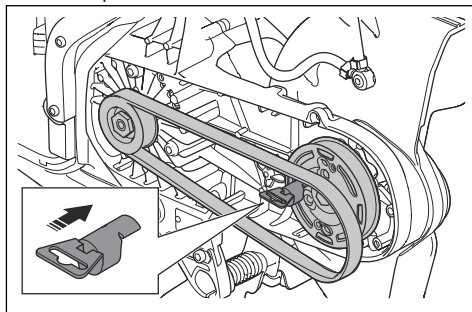
De aandrijfriem verwijderen

1. Verwijder de riembescherming. Zie *Productoverzicht K1 PACE op pagina 115*.
2. Plaats het riemgereedschap boven op de voorste poelie. Gebruik een moersleutel om de riem van de poelie te trekken.

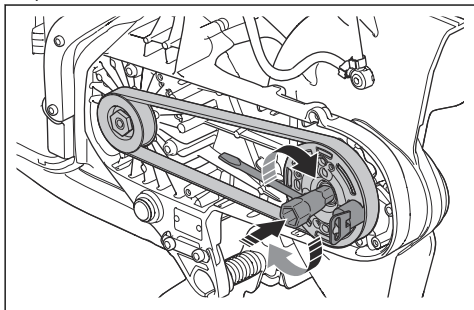


De aandrijfriem aanbrengen

1. Plaats de aandrijfriem rond de achterste poelie.
2. Plaats het riemmontagegereedschap boven op de voorste poelie.



3. Draai de voorste poelie rechtsom met de ringsteeksleutel. Duw tegelijkertijd de aandrijfriem op de poelie.

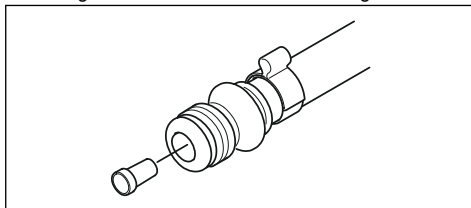


4. Bevestig de riembescherming. Zie *Productoverzicht K1 PACE op pagina 115*.

Het watertoevoersysteem controleren

1. Controleer de spuitmondten op de bladbeschermkap en controleer of ze niet verstopt zijn.

2. Reinig de betreffende delen indien nodig.
3. Controleer het filter op de wateraansluiting. Controleer of het niet verstopt is.
4. Reinig de betreffende delen indien nodig.







5. Inspecteer de slangen en controleer of ze niet beschadigd zijn.

Probleemoplossing

Problemen met het product oplossen

Let op: Zie de bedieningshandleiding voor het oplossen van problemen met de accu en de acculader.

Symbol op het bedieningspaneel	Probleem	Oorzaak	Oplossing
	Het product start niet. Er beginnen geen leds te branden nadat u op de ON/OFF-knop hebt gedrukt.	Defecte accu.	Druk op de ON/OFF-knop om een controle van de accu uit te voeren. Er moet minimaal 1 groene led gaan branden.
		Defecte plug tussen accu en product.	Zorg ervoor dat de aansluitingen tussen de accu en het product niet vuil of beschadigd zijn.
		De accu is niet op de juiste wijze in het product gezet.	Verwijder de accu en installeer hem op de juiste wijze.
		Onderhoud is nodig.	Neem contact op met een erkend Husqvarna-servicecentrum.
	De motor reageert niet wanneer u de activeringsschakelaar indrukt.	Onderhoud is nodig.	Neem contact op met een erkend Husqvarna-servicecentrum.
	De motor komt plotseling in beweging wanneer u op de activeringsschakelaar drukt en stopt vervolgens.	Onderhoud is nodig.	Neem contact op met een erkend Husqvarna-servicecentrum.

Symbol op het bedieningspaneel	Probleem	Oorzaak	Oplossing
	Het product stopt tijdens een terugslag.	De functie X-Halt is ingeschakeld.	Wacht totdat de X-Halt is uitgeschakeld.
	Het product stopt wanneer u het onder belasting laat werken.	De belasting op het product is te hoog.	Start het product met minder belasting.
	Het product werkt, maar er brandt geen lampje op het bedieningspaneel.	Onderhoud is nodig.	Neem contact op met een erkend Husqvarna-servicecentrum.
	Het waarschuwingslampje knippert rood. Tijdelijke waarschuwing.	Temperatuurafwijking, als het waarschuwingslampje voor temperatuur ook aan is.	Laat het product afkoelen als het te heet is. Als het te koud is, laat het dan binnenshuis opwarmen.
		Defecte accu.	Vervang de accu.
		Onjuiste draairichting.	Het product stopt. Bedien de activeringsschakelaar voor een reset.
		De activeringsschakelaar is ingedrukt tijdens het starten.	Laat de activeringsschakelaar los tijdens het starten.
	De voedingsschakelaar en de ON/OFF-knop worden tegelijkertijd ingedrukt.	Laat de activeringsschakelaar los.	
	Het rode waarschuwingslampje brandt	Onderhoud is nodig.	Neem contact op met een erkend Husqvarna-servicecentrum.
	Het gele waarschuwingslampje voor temperatuur brandt.	Temperatuurafwijking.	Het product is te heet of te koud.
	Het waarschuwingslampje X-Halt knippert.	De functie X-Halt is ingeschakeld.	Wacht totdat het product is afgekoeld.
	Het lampje X-Halt brandt.	Onderhoud is nodig.	Neem contact op met een erkend Husqvarna-servicecentrum.
	1 groene led knippert.	Lage accuspanning.	Laad de accu op.
	Alle groene leds knipperen.	Onderhoud is nodig.	Neem contact op met een erkend Husqvarna-servicecentrum.
	Led 3 knippert en led 4 brandt permanent.	Onderhoud is nodig.	Neem contact op met een erkend Husqvarna-servicecentrum.

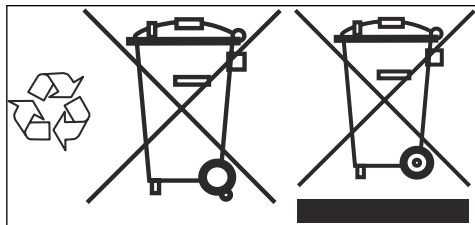
Transport en opslag

- Zet het product tijdens het vervoer veilig vast om schade en ongevallen te voorkomen.
- Verwijder het zaagblad voordat u het product vervoert of opslaat.
- Bewaar het product in een afgesloten ruimte om toegang door kinderen of onbevoegde personen te verhinderen.
- Bewaar de zaagbladen in droge, vorstvrije omstandigheden.
- Koppel de accu van het product los.
- Controleer alle nieuwe en gebruikte bladen op transport- en opslagschade voordat u ze monteert.

Accu, acculader en product afvoeren

Het onderstaande symbool betekent dat het product geen huishoudelijk afval is. Lever het in bij een recyclepunt voor elektrische en elektronische apparatuur. Dit voorkomt vervuiling van het milieu en letsel bij personen.

Neem contact op met de lokale autoriteiten, het afvalverwerkingsbedrijf of uw dealer voor meer informatie.



Let op: Het symbool staat op het product of op de verpakking van het product.

Technische gegevens

Technische gegevens

Husqvarna K1 PACE		
Spanning gelijkstroom maximum/nominaal, V		109,2/93,6
Gewicht, kg/lbs	K1 PACE 12 inch	7,2/15,8
	K1 PACE 14 inch	7,4/16,3
	K1 PACE Rescue	7,9/17,4
Max. zaagdiepte, mm/inch	12 inch	121/4,8
	14 inch	144,5/5,7
Maximale bladdiameter, mm/inch	K1 PACE 12 inch	314/12,4
	K1 PACE 14 inch	361/14,2
	K1 PACE Rescue	361/14,2
Maximale bladdikte, mm/inch	Abrasieve bladen	4,0/0,16
	Diamantzagen	1,8/0,07
Bladas, tpm, geen belasting	K1 PACE 12 inch	3800
	K1 PACE 14 inch	3400
Waterkoeling van schijf		Ja
Verbindingsnippel		Type 'Gardena'
Aanbevolen waterdruk, bar/psi		0,5–6/7,3–87
Maximale waterdruk, bar/psi		6/87
Trillingsniveaus, a_{hveq} ⁷	12" voorkant, m/s ²	2,0
	12" achterkant, m/s ²	1,1
	14" voorkant, m/s ²	2,2
	14" achterkant, m/s ²	1,2
Geluidsemisies ⁸	LpA, dB(A)	102
	LwA, dB(A)	112,9

⁷ Het equivalente trillingsniveau, volgens EN 60745-2-22, wordt berekend als de totale tijdgewogen energie van de trillingsniveaus. Gerapporteerde gegevens voor de trillingsniveaus hebben een onzekerheidsmarge van 1,5 m/s².

⁸ Geluidsemisies worden gemeten in overeenstemming met EN 60745-2-22. De onzekerheid voor het A-gewogen geluidsvermogniveau K_{WA} is 3 dB(A). De onzekerheid voor het A-gewogen geluidsdrukkniveau K_{pA} is 3 dB(A).

Verklaring inzake geluid- en trillingsemisies

Deze aangegeven waarden zijn verkregen door middel van typeonderzoek in een laboratorium in overeenstemming met de genoemde richtlijn of normen en zijn geschikt voor vergelijking met aangegeven waarden van andere producten die volgens dezelfde richtlijn of normen zijn getest. Deze aangegeven

waarden zijn niet geschikt voor gebruik ten behoeve van risicoanalyses. Waarden die worden gemeten op afzonderlijke werkplekken, kunnen hoger zijn. De werkelijke blootstellingswaarden en het risico op letsel dat een individuele gebruiker ondervindt, zijn uniek en zijn afhankelijk van de manier waarop de gebruiker werkt, het materiaal waarvoor het product gebruikt wordt, de blootstellingstijd en de fysieke toestand van de gebruiker en de toestand van het product.

Geïntegreerde connectiviteit

Let op: Dit onderdeel is alleen van toepassing op producten die worden geleverd met geïntegreerde connectiviteit.

Radiospectrum BLE-technologie	
Frequentiebanden voor het gereedschap, GHz	2,402-2,480
Maximaal overgebracht radiofrequentievermogen, dBm	4/2,5

Accessoires

Goedgekeurde accu's voor het product

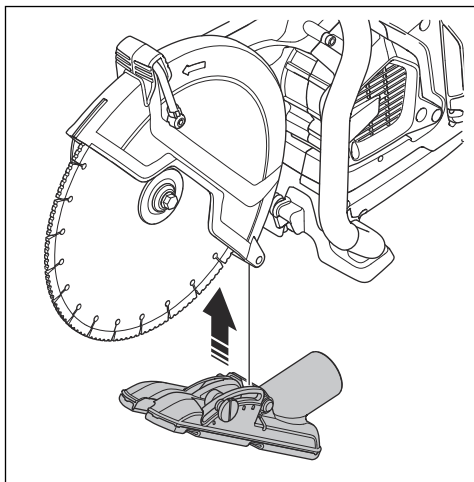
Accu	100-B380X	100-B750X
Type	Lithium-ion	Lithium-ion
Accucapaciteit, Ah	4	8
Nominale spanning, V	94	94
Gewicht, kg/lb	3,1/6,1	5,1/11,4

Goedgekeurde acculaders voor het product

Acculader	100-C900X
Netspanning, V	100-240
Frequentie, Hz	50-60
Vermogen, W	900

Zuighulpstuk

Gebruik het zuighulpstuk om een stofzuiger op het product aan te sluiten.



Service

Goedgekeurd servicecentrum

Ga naar de website www.husqvarnacp.com om het dichtstbijzijnde erkende servicecentrum van Husqvarna te vinden.

Verklaring van overeenstemming

EU-verklaring van overeenstemming

Wij, **Husqvarna AB**, SE-561 82 Huskvarna,
Zweden, tel: +46-36-146500, verklaren onder onze
alleenverantwoordelijkheid dat het product:

Beschrijving	Draagbare doorslijper
Merk	Husqvarna
Type/model	K1 PACE, K1 PACE Rescue
Identificatie	Serienummers vanaf 2021 en verder

volledig voldoet aan de volgende EU-richtlijnen en
-regelgeving:

Richtlijn/Verordening	Beschrijving
2006/42/EC	"betreffende machines"
2014/53/EU	"betreffende radioapparatuur"
2011/65/EU	"betreffende beperking van gevaarlijke stoffen"

en dat de volgende normen en/of technische
specificaties zijn toegepast:

EN ISO 12100:2010
EN 60745-1:2009
EN 60745-2-22:2011/A11:2013
EN 55014-1:2017
EN 55014-2:2015
ETSI EN 301 489-1 V2.2.3
ETSI EN 301 489-17 V3.2.4
ETSI EN 300 328 V2.2.2
EN IEC 63000:2018
Partille, 2021-05-24



Erik Silfverberg
Directeur R&D, Betonzagen en -boormachines
Husqvarna AB, Construction-divisie
Verantwoordelijk voor technische documentatie



Geregistreerde handelsmerken

Het *Bluetooth*[®]-woordmerk en de logo's zijn geregistreerde handelsmerken die eigendom zijn van *Bluetooth SIG, inc.* en het gebruik van deze merken door Husqvarna vindt plaats onder licentie.



www.husqvarnacp.com

Original instructions
Originalanweisungen
Instructions d'origine
Originele instructies

1142591-20



2022-02-22