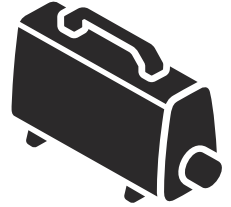




Husqvarna®



PP 70

EN	Operator's manual	2-17
DE	Bedienungsanweisung	18-34
FR	Manuel d'utilisation	35-51
NL	Gebruiksaanwijzing	52-68

Contents

Introduction.....	2	Technical data.....	14
Safety.....	4	Accessories.....	16
Operation.....	8	Service.....	16
Maintenance.....	10	EC Declaration of Conformity.....	17
Troubleshooting.....	10	Registered trademarks.....	17
Transportation and storage.....	13		

Introduction

Product description

The product is a power pack, that is used together with Husqvarna electrical power tools. For more information, refer to the operator's manual for the power tool.

This product has embedded connectivity. Refer to *Embedded connectivity on page 2*.

Embedded connectivity

Husqvarna Fleet Services™ is a cloud asset management solution that gives the fleet manager an overview of all products that are connected via either embedded or aftermarket sensors. The sensors record data like runtime, service intervals, and more. For more information about Husqvarna Fleet Services™, download the iOS or Android app Husqvarna Fleet Services at <https://apps.apple.com/se/app/husqvarna-fleet-services/id1334672726> or <https://play.google.com/store/apps/details?id=com.husqvarna.hfsmobile&hl=en>.

Products with embedded connectivity are connected via the embedded Husqvarna Fleet Services™ sensor that have Bluetooth Low Energy (BLE). For more information regarding how to use it, refer to *To use embedded connectivity on page 8*. For information of the BLE technology radio spectrum, refer to *Embedded connectivity on page 14*.

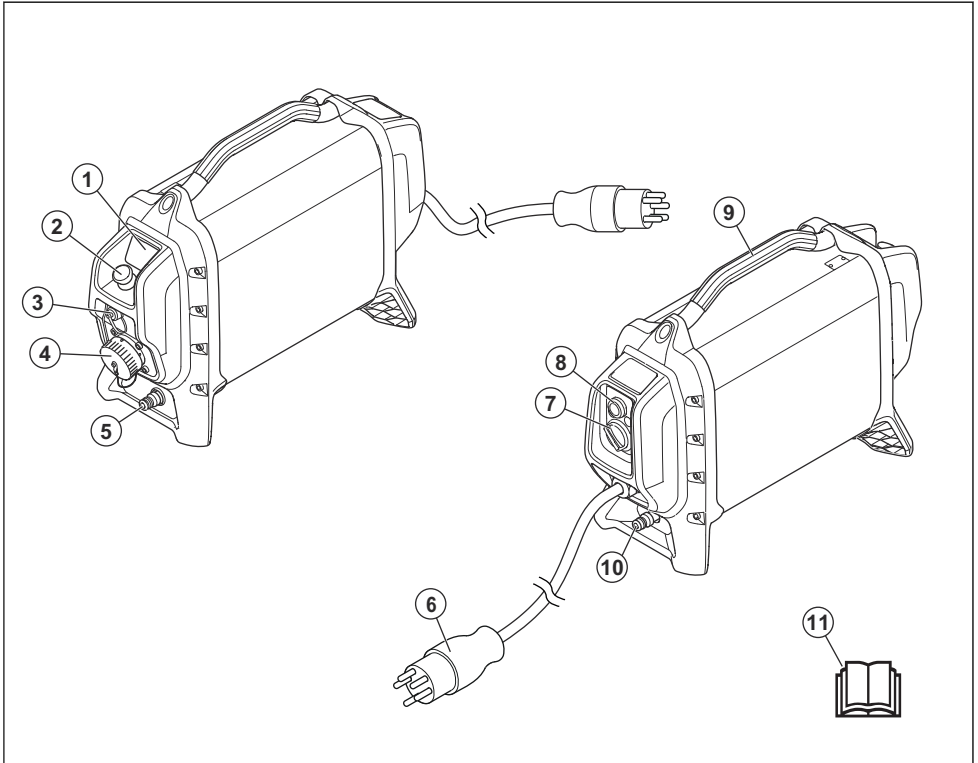
Intended use

This product is used to operate applicable Husqvarna electrical power tools with a high frequency motor, for example power cutters and drills. All other use is incorrect.

The product is kept cool with water. Always use the product with water supply.

The product is for professional operation only.

Product overview



1. Control panel and status indicator
2. Machine stop button
3. USB connection, for service
4. Outlet for tool connection
5. Water connector outlet
6. Power plug, different power plugs for different markets
7. RCD reset knob
8. RCD test button
9. Transportation handle
10. Water connector inlet
11. Operator's manual



Read the manual carefully and make sure that you understand the instructions before you use the product.



Inspection and/or maintenance must be done with the motor stopped and the power plug disconnected.



This product is in compliance with applicable EC directives.



The product agrees with the applicable Australia and New Zealand electromagnetic compatibility directives.



China RoHS Environment-Friendly Use Period (EUFP) symbol.

Symbols on the product



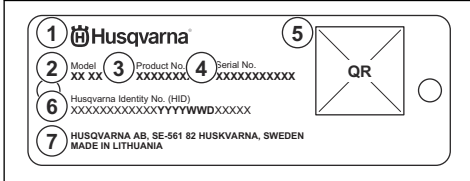
WARNING: Not careful or incorrect use can result in injury or death to the operator or others.



The product or package of the product is not domestic waste. Recycle it at a recycling station for electrical and electronic equipment.

Note: Other symbols/decals on the product refer to special certification requirements for some markets.

Type plate



1. Manufacturer
2. Model
3. Product number
4. Serial number
5. QR code
6. Husqvarna Identity number
7. Manufacturer address

HID Specification

Husqvarna Identity number has 5 sections and a total of 25 characters: [PNC] [Factory & Line (FLL)] [Date] [Sequenc#] [Control character].

The date has 7 characters.

- Format: YYYYWWDD
- YYYY = Year
- WW = Week number
- D = Day number

Product liability

As referred to in the product liability laws, we are not liable for damages that our product causes if:

- the product is incorrectly repaired.
- the product is repaired with parts that are not from the manufacturer or not approved by the manufacturer.
- the product has an accessory that is not from the manufacturer or not approved by the manufacturer.
- the product is not repaired at an approved service center or by an approved authority.

Safety

Safety definitions

Warnings, cautions and notes are used to point out specially important parts of the manual.



WARNING: Used if there is a risk of injury or death for the operator or bystanders if the instructions in the manual are not obeyed.



CAUTION: Used if there is a risk of damage to the product, other materials or the adjacent area if the instructions in the manual are not obeyed.

Note: Used to give more information that is necessary in a given situation.

General power tool safety warnings



WARNING: Read all safety warnings, instructions, illustrations and specifications provided with this power tool. Failure to follow all instructions listed below may result in electric shock, fire and/or serious injury.

- **Save all warnings and instructions for future reference.** The term "power tool" in the warnings refers to your mains-operated (corded) power tool or battery-operated (cordless) power tool.

Work area safety

- **Keep work area clean and well lit.** Cluttered or dark areas invite accidents.
- **Do not operate power tools in explosive atmospheres, such as in the presence of flammable liquids, gases or dust.** Power tools create sparks which may ignite the dust or fumes.
- **Keep children and bystanders away while operating a power tool.** Distractions can cause you to lose control.

Electrical safety

- **Power tool plugs must match the outlet. Never modify the plug in any way. Do not use any adapter plugs with earthed (grounded) power tools.** Unmodified plugs and matching outlets will reduce risk of electric shock.
- **Avoid body contact with earthed or grounded surfaces, such as pipes, radiators, ranges and refrigerators.** There is an increased risk of electric shock if your body is earthed or grounded.
- **Do not expose power tools to rain or wet conditions.** Water entering a power tool will increase the risk of electric shock.
- **Do not abuse the cord. Never use the cord for carrying, pulling or unplugging the power tool. Keep cord away from heat, oil, sharp edges or moving parts.** Damaged or entangled cords increase the risk of electric shock.

- **When operating a power tool outdoors, use an extension cord suitable for outdoor use.** Use of a cord suitable for outdoor use reduces the risk of electric shock.
- **If operating a power tool in a damp location is unavoidable, use a residual current device (RCD) protected supply.** Use of a RCD reduces the risk of electric shock.

Personal safety

- **Stay alert, watch what you are doing and use common sense when operating a power tool. Do not use a power tool while you are tired or under the influence of drugs, alcohol or medication.** A moment of inattention while operating power tools may result in serious personal injury.
- **Use personal protective equipment. Always wear eye protection.** Protective equipment such as dust mask, non-skid safety shoes, hard hat or hearing protection used for appropriate conditions will reduce personal injuries.
- **Prevent unintentional starting. Ensure the switch is in the off-position before connecting to power source and/or battery pack, picking up or carrying the tool.** Carrying power tools with your finger on the switch or energising power tools that have the switch on invites accidents.
- **Remove any adjusting key or wrench before turning the power tool on.** A wrench or a key left attached to a rotating part of the power tool may result in personal injury.
- **Do not overreach. Keep proper footing and balance at all times.** This enables better control of the power tool in unexpected situations.
- **Dress properly. Do not wear loose clothing or jewellery. Keep your hair and clothing away from moving parts.** Loose clothes, jewellery or long hair can be caught in moving parts.
- **If devices are provided for the connection of dust extraction and collection facilities, ensure these are connected and properly used.** Use of dust collection can reduce dust-related hazards.
- **Do not let familiarity gained from frequent use of tools allow you to become complacent and ignore tool safety principles.** A careless action can cause severe injury within a fraction of a second.

Power tool use and care

- **Do not force the power tool. Use the correct power tool for your application.** The correct power tool will do the job better and safer at the rate for which it was designed.
- **Do not use the power tool if the switch does not turn it on and off.** Any power tool that cannot be controlled with the switch is dangerous and must be repaired.
- **Disconnect the plug from the power source and/or remove the battery pack, if detachable, from the power tool before making any adjustments, changing**

accessories, or storing power tools. Such preventive safety measures reduce the risk of starting the power tool accidentally.

- **Store idle power tools out of the reach of children and do not allow persons unfamiliar with the power tool or these instructions to operate the power tool.** Power tools are dangerous in the hands of untrained users.
- **Maintain power tools and accessories. Check for misalignment or binding of moving parts, breakage of parts and any other condition that may affect the power tool's operation. If damaged, have the power tool repaired before use.** Many accidents are caused by poorly maintained power tools.
- **Keep cutting tools sharp and clean.** Properly maintained cutting tools with sharp cutting edges are less likely to bind and are easier to control.
- **Use the power tool, accessories and tool bits etc. in accordance with these instructions, taking into account the working conditions and the work to be performed.** Use of the power tool for operations different from those intended could result in a hazardous situation.
- **Keep handles and grasping surfaces dry, clean and free from oil and grease.** Slippery handles and grasping surfaces do not allow for safe handling and control of the tool in unexpected situations.

Service

- **Have your power tool serviced by a qualified repair person using only identical replacement parts.** This will ensure that the safety of the power tool is maintained.

General safety instructions



WARNING: Read the warning instructions that follow before you use the product.

- This product is a dangerous tool if you are not careful or if you use the product incorrectly. This product can cause serious injury or death to the operator or others. Before you use the product, you must read and understand the contents of this operator's manual.
- Save all warnings and instructions.
- Comply with all applicable laws and regulations.
- The operator and the employer of the operator must know and prevent the risks during operation of the product.
- Do not let a person operate the product unless they read and understand the contents of the operator's manual.
- Do not operate the product unless you receive training before use. Make sure that all operators receive training.
- Do not let a child operate the product.
- Only let approved persons operate the product.

- The operator is responsible for accidents that occur to other persons or their property.
- Do not use the product if you are tired, ill, or under the influence of alcohol, drugs or medicine.
- Always be careful and use your common sense.
- This product produces an electromagnetic field during operation. This field can under some circumstances interfere with active or passive medical implants. To decrease the risk of serious injury or death, we recommend persons with medical implants to speak to their physician and the medical implant manufacturer before operating this product.
- Keep the product clean. Make sure that you can clearly read signs and decals.
- Do not use the product if it is defective.
- Do not do modifications to this product.
- Do not operate the product if it is possible that other persons have done modifications to the product.

Safety instructions for operation



WARNING: Read the warning instructions that follow before you use the product.

- Read the operator's manual for the connected power tool carefully. Make sure that you understand the instructions.
- There is always a risk of shocks from electrical products. Do not use the product in bad weather conditions. Prevent that your body touches lightning conductors and metal objects. Always follow the instructions in the operator's manual to prevent damage.
- Connect the product to grounded outlets only.
- Make sure that the mains voltage are the same as the voltage shown on the rating plate of the product.
- Make sure that the power cord and extension cable are not damaged and in good condition.
- Do not use the product if the product or the power cord is damaged. Let an approved service agent repair the product or replace the power cord.
- To prevent overheating, do not use the extension cable while it is folded.
- Do not let children use the product.
- Do not go away from the product when the motor is on.
- Always disconnect the power supply to the product for longer work breaks.
- Do not operate the product unless you can get aid if an accident occurs.
- Make sure that the product stays on a stable surface.
- Always disconnect the power plug before the product is moved.
- Do not disconnect the power cord unless the motor is off and fully stopped.
- Always keep fire protection equipment near.

Personal protective equipment



WARNING: Read the warning instructions that follow before you use the product.

- Always use approved personal protective equipment when you operate the product. Personal protective equipment cannot fully prevent injury but it decreases the degree of injury if an accident does occur. Let your dealer help you select the correct personal protective equipment.
- Regularly do a check of the condition of the personal protective equipment.
- Use an approved protective helmet.
- Use approved hearing protection.
- Use approved respiratory protection.
- Use approved eye protection with side protection.
- Use protective gloves.
- Use boots with steel toe-cap and non-slip sole.
- Use approved work clothing or equivalent close-fitting clothing that has long sleeves and long legs.

Safety devices on the product



WARNING: Read the warning instructions that follow before you use the product.

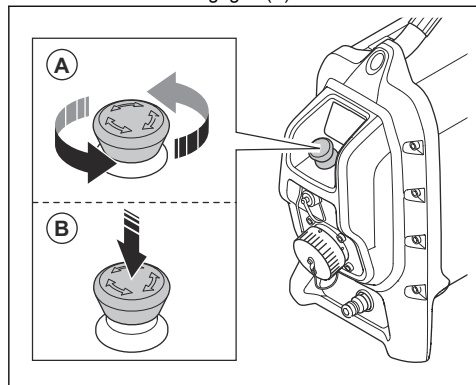
- Do not use a product with defective safety devices.
- Do a check of the safety devices regularly. If the safety devices are defective, speak to your Husqvarna service agent.

Machine stop button

The machine stop button on the power pack unit disconnects the power tool from the power supply. It also decreases the speed of the connected power tool.

To do a check of the machine stop button

1. Turn the machine stop button on the product to make sure it is disengaged (A).



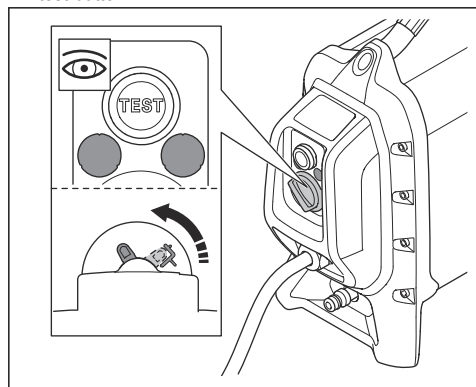
2. Start the connected power tool.
3. Push the machine stop button and make sure that the connected power tool stops.

RCD

The product has an integrated RCD. The RCD is a protection for the operator if an electrical fault occur.

To do a check of the RCD 3 phase

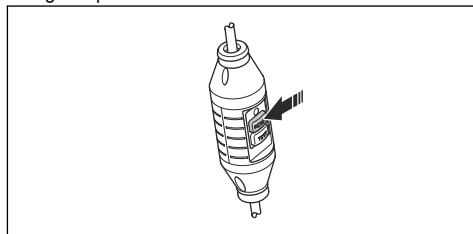
1. Start the product, refer to *To start the product on page 9*.
2. Look into the inspection holes and push the RCD test button.



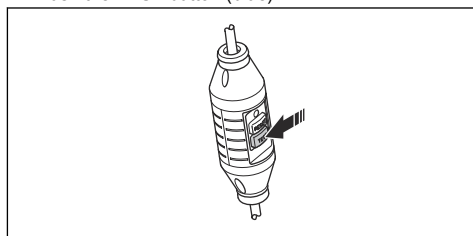
3. Make sure that the RCD moves and that it disconnects the product from the power supply.
4. Turn the RCD reset knob to reset the RCD.

To do a check of the RCD, 1 phase

1. Connect the product to the outlet. Use the correct adapter. Refer to *Adapters on page 16*.
2. Push the RESET button (green) and the red LED lights up.



3. Start the product.
4. Push the TEST button (blue).



5. The RCD must trip and the product must stop immediately. If not, speak to your Husqvarna dealer.
6. Push the RESET button (green).

Safety instructions for maintenance



WARNING: Read the warning instructions that follow before you do maintenance on the product.

- Not approved changes and/or accessories can cause serious injury or death to the operator or others.
- Only Husqvarna service centers must open the enclosure and do service to the product.
- Do the daily maintenance to make sure that the product operates correctly. Refer to *Maintenance on page 10*.
- Do the inspection and/or maintenance with the motor stopped and the power plug disconnected.
- Clean the product with water. Do not use high pressure washer. Do not point the water at electrical components or bearings.
- Only let an approved service person do service on the product. Use only Husqvarna or equivalent replacement parts.

Operation

Introduction



WARNING: Before you operate the product, you must read and understand the safety chapter.

Before you operate the product

1. Read the operator's manual carefully and make sure that you understand the instructions.
2. Do daily maintenance. Refer to *Daily maintenance on page 10*.
3. Make sure that only approved persons are in the work area, because there is a risk of serious injury.
4. Use personal protective equipment. Refer to *Personal protective equipment on page 6*.

To use embedded connectivity

Note: Radio transmission by Bluetooth® will be enabled on the first time of connection to the mains socket, and stay on after that.

1. Download the iOS or Android app Husqvarna Fleet Services.
2. Go to <https://fleetservices.husqvarna.com> for more information.

To connect the product to a power source

1. Put the product on a stable and dry surface at the workplace.
2. Connect the product to a grounded outlet with continuous voltage, refer to *Technical data on page 14*. Make sure that the mains voltage agree with the rating plate on the product.
3. If the power source is 1-phase, use an adapter. Refer to *Adapters on page 16*.

To connect the water supply



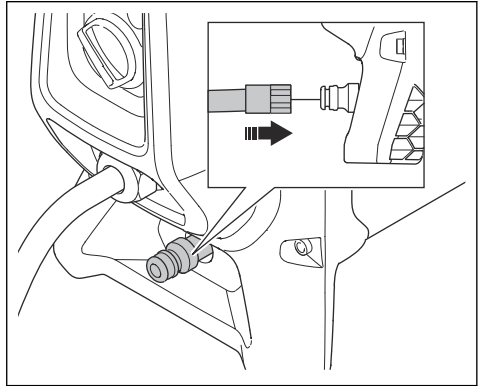
CAUTION: Use only clean water to prevent that dirt causes a blockage in the water system.



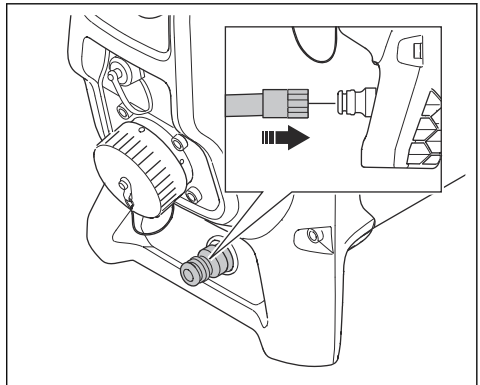
CAUTION: Use air pressure to drain the product from water after use. The water can freeze and cause damage to the product.

Note: The water coolant does not stop during a power failure.

1. Connect the water hose to the inlet water connector on the product.



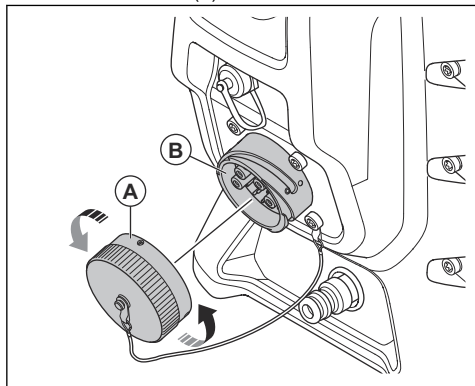
2. Connect the outlet water connector on the product to the power tool.



3. To adjust the flow of water coolant to the power tool, refer to the operator's manual for the power tool.
4. Adjust the water pressure at the water source.

To connect a power tool to the product

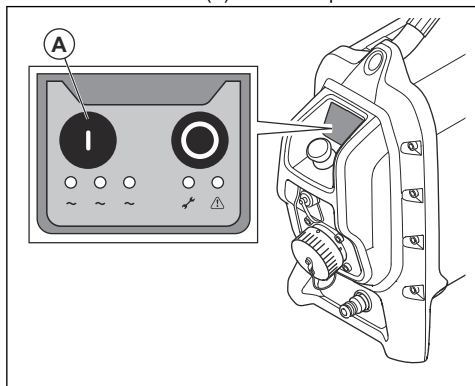
1. Remove the cover (A).



2. Connect the power tool to the outlet for tool connection (B). If it is necessary, use an adapter. Speak to your Husqvarna servicing dealer for more information.

To start the product

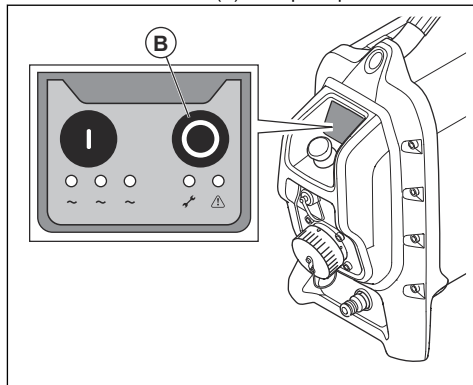
1. Make sure that the machine stop button is disengaged. Refer to *To do a check of the machine stop button on page 7*.
2. Push the ON button (A) to start the product.



To stop the product

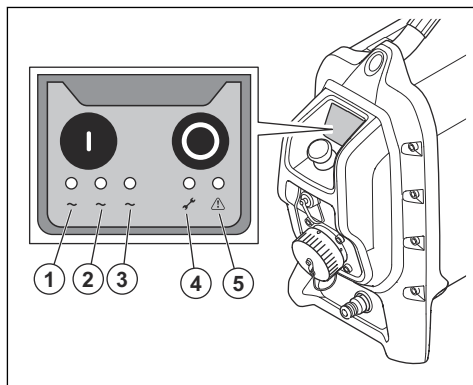
1. Stop the connected power tool. Refer to the Operator's manual for the power tool.

2. Push the OFF button (B) to stop the product.



Status indication lamps

When the product is connected, the lamps 1-5 comes on for some seconds.



1. Phase lamp (green)
2. Phase lamp (green)
3. Phase lamp (green)
4. Service indicator (yellow)
5. Warning indicator (red)

For more information about the status indication lamps, refer to *Explanation of the status indication lamps on page 10*.

Warning indicator



CAUTION: Do not continue to operate the product when the warning indicator is on. Risk of damage to the product.

If the warning indicator (red lamp) comes on, stop the product. Refer to *Explanation of the status indication lamps on page 10*.

Maintenance

Introduction



WARNING: Read and understand the safety chapter before you do maintenance on the product.

Daily maintenance



WARNING: Disconnect the product from the power supply and wait minimum 5 minutes before you start the maintenance.



CAUTION: Do not use a high pressure washer to clean the product. The high pressure can cause damage to the seals and cause water and dirt to come into the product.

- Do a check of the safety equipment. Make sure that it is not damaged. Refer to *Safety devices on the product on page 6*.
- Make sure that the power cord and the extension cable are in good condition and not damaged.
- Make sure that the water hose and water couplings are in good condition and not damaged.
- Always clean the product at the end of the work day. Use a heavy duty handheld brush or a large paint brush.

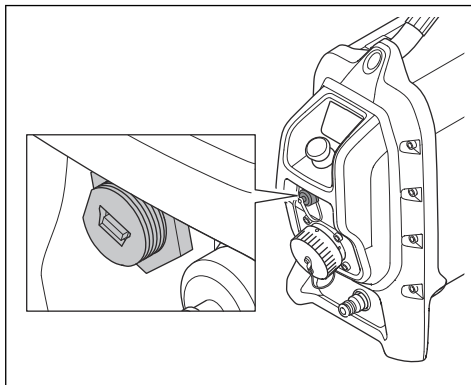
- Keep the connectors and pins clean. Clean with a cloth or brush.
- Make sure that the water system is not damaged.

USB connection

The product has an USB connection.

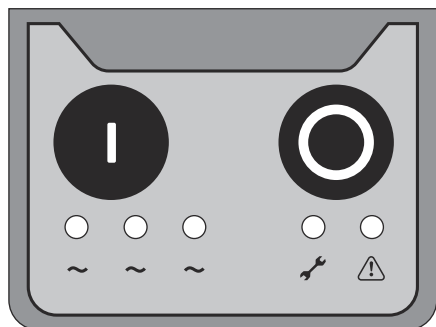


CAUTION: Only approved brand service person must use the USB connection.



Troubleshooting

Explanation of the status indication lamps



The status indication lamps help you to do troubleshooting.



The light is on.



The light is off.



The light flashes quickly.



The light flashes slowly.



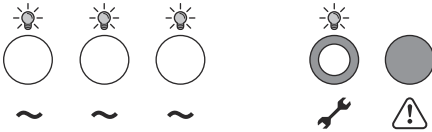
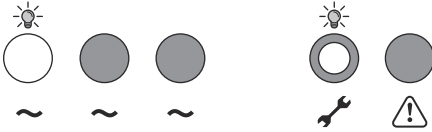
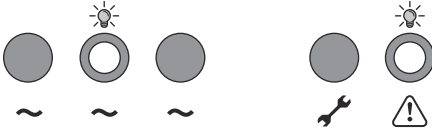
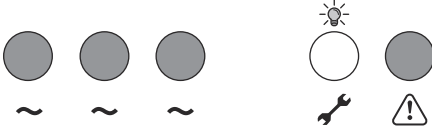
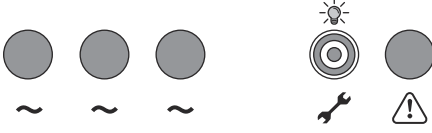
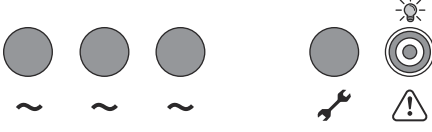
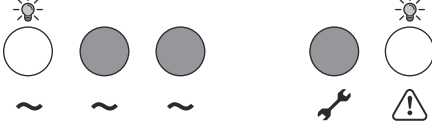
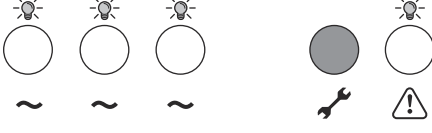
The light goes from the left side to the right side and then to the left side again.

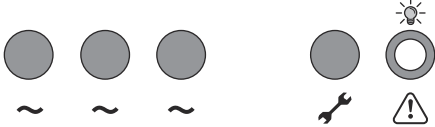


The light goes from the left to the right side.

Product display

Control panel	Status	Step
	There is no power.	Do a check of the power supply.
	Function test of LED at connection of power. (< 3 s)	Do a check of the machine stop button. Refer to <i>To do a check of the machine stop button on page 7.</i>
	The product is in standby mode.	N/A
	Phase selection sequence at start. (< 3 s)	If >3 s, do a check of the fuses and voltage.
	The product is on and connected to 1-phase.	N/A
	The product is on and connected to 3-phase.	N/A
	Power fault.	Do a check of the fuses and the generator.

Control panel	Status	Step
	The tool is unknown.	Speak to a Husqvarna service agent.
	The tool is unknown.	Speak to a Husqvarna service agent.
	<p>The machine stop button is pushed down.</p> <p>The product is in sleep mode.</p>	<p>Do a reset of the product.</p> <p>Make sure that the machine stop button is released.</p>
	Incorrect situation.	<ol style="list-style-type: none"> Restart the product If the product does not start, speak to a Husqvarna service agent.
	<p>Ground fault.</p> <p>There is a hardware fault.</p> <p>There is a fault in the connected tool.</p>	<ol style="list-style-type: none"> Change tool and restart the product If the product does not start, speak to a Husqvarna service agent.
	No power because the product is too hot.	Let the product and the connected power tool cool down.
	Warning: The product can be too hot (1-phase).	Do a check of the cooling water. Decrease the load.
	Warning: The product can be too hot (3-phase).	Do a check of the cooling water. Decrease the load.

Control panel	Status	Step
	<p>There is a fault in the connected tool.</p>	<p>Do a check of the connected tool.</p>

Transportation and storage

Transportation of the product

- Attach the product during transportation to prevent transport damage and accidents.
- Always stop the product and disconnect the power cord before you move the product.
- Always disconnect the power tool and the power tool cord before transportation.

Storage of the product

- Keep the product in a locked area to prevent access for children or persons that are not approved.
- Keep the product in a dry area.
- Make sure that the temperature is not lower than -25°C (-77°F) and not higher than 50°C (122°F).

Technical data

Technical data

Power pack	
Max. output, kW	6.5
Rated current 3-phase, A	15
Rated current 1-phase, A	15
3-phase voltage in, V	200-480, 50/60Hz
1-phase voltage in, V	120-240, 50/60Hz
Power supply	
3-phase	L1+L2+L3+PE
1-phase	L+N+PE
Water coolant (from connected tool)	
Pressure, bar	7
Water temperature, recommended, C	<25
Weight	
Power pack, Kg	18

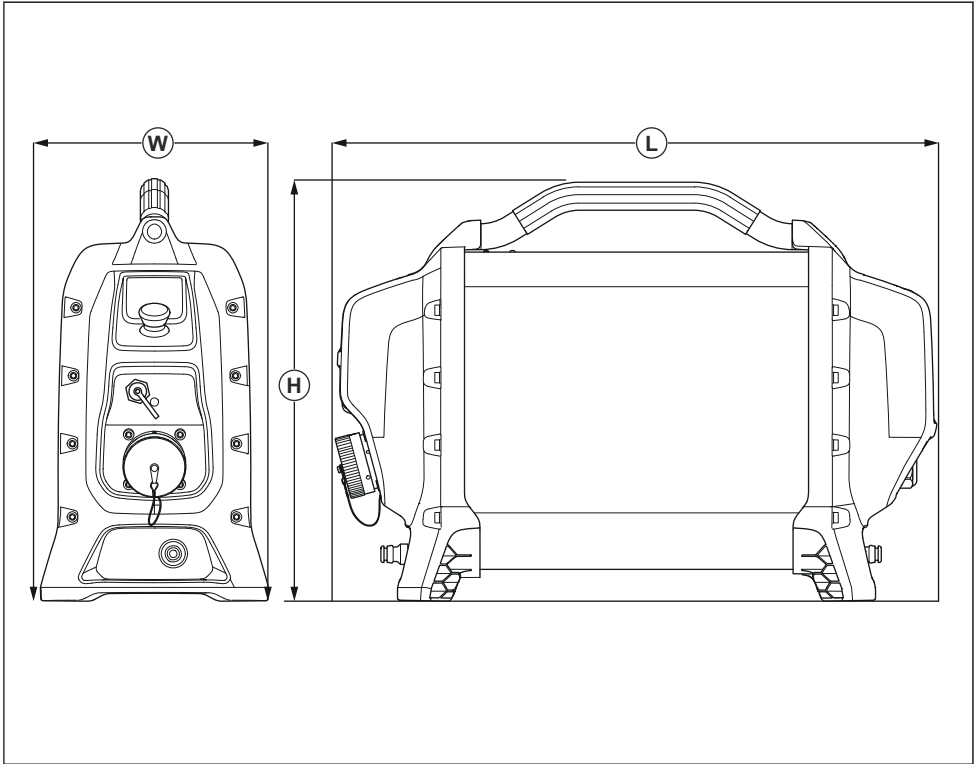
Embedded connectivity

BLE technology radio spectrum	
Frequency bands for the tool, GHz	2.402 - 2.480
Maximum radio-frequency power transmitted, dBm/mW	4 / 2.5

Typical generator operation cases

1-phase/ 3-phase	PP 70, output	Generator output, V	Minimum recommended generator output, kVa
3-phase	Full power	3x380, 3x416, 3x440, 3x480	10
	Decreased power	3x208, 3x220, 3x240	10
1-phase	Decreased power	220-240	5

Product dimensions



Dimensions, mm

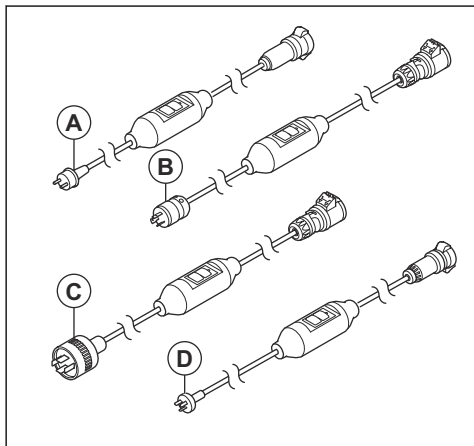
W	183	H	410	L	570
----------	-----	----------	-----	----------	-----

Accessories

Adapters

There are different 1-phase adapters for different markets:

- Adapter for EU (A).
- Adapter for US (B).
- Adapter for JP (C).
- Adapter for AU (D).



There are different adapters for the outlet for tool connection. For more information speak to your Husqvarnadealer.

Service

Introduction



WARNING: Only approved service center can do repairs on the product. This is to prevent that accidents occur to the operators.

Approved service center

To find your nearest Husqvarna Construction Products approved service center, go to the web site www.husqvarnacp.com.

EC Declaration of Conformity

EC Declaration of Conformity

HCP-PP70-1

We, **Husqvarna AB**, SE-561 82 Huskvarna, SWEDEN,
tel: +46-36-146500, declare on our sole responsibility
that the product:

Description	Power pack
Brand	Husqvarna
Type/Model	PP 70
Identification	Serial numbers dating from 2019 and onwards

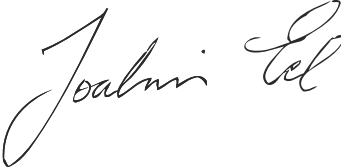
complies fully with the following EU directives and regulations:

Directive/Regulation	Description
2014/53/EU	"relating to radio equipment"
2011/65/EU	"relating to restriction of hazardous substances"

and that the following harmonized standards and/or technical specifications are applied;

- EN ISO 12100:2010
- EN 55014-1:2017
- EN 55014-2:2015
- EN 61000-3-2:2014
- EN 61000-3-3:2013
- EN 62841-1:2014
- ETSI EN 300 328 V2.1.1
- ETSI EN 301 489-1 V2.2.0
- ETSI EN 301 489-17 V3.2.0

Partille, 2019-11-26



Joakim Ed

Vice President

Concrete Sawing, Drilling & Light Demolition

Husqvarna AB, Construction Division

Responsible for technical documentation

Registered trademarks

The *Bluetooth®* word mark and logos are registered trademarks owned by *Bluetooth SIG, inc.* and any use of such marks by Husqvarna is under license.

Inhalt

Einleitung.....	18	Technische Daten.....	31
Sicherheit.....	20	Zubehör.....	33
Betrieb.....	24	Service.....	33
Wartung.....	27	EU-Konformitätserklärung.....	34
Fehlerbehebung.....	27	EINGETRAGENE MARKEN.....	34
Transport und Lagerung.....	30		

Einleitung

Gerätebeschreibung

Das Gerät ist ein Antriebsaggregat, das zusammen mit HusqvarnaElektrowerkzeugen verwendet wird. Weitere Informationen finden Sie in der Bedienungsanleitung für das Elektrowerkzeug.

Dieses Gerät verfügt über eine integrierte Konnektivität. Siehe *Integrierte Konnektivität auf Seite 18*.

Integrierte Konnektivität

Husqvarna Fleet Services™ ist eine Cloud-Asset-Verwaltungslösung, die dem Flottenmanager eine Übersicht über alle verbundenen Geräte mit integrierten oder nachgerüsteten Sensoren bietet. Die Sensoren zeichnen Daten wie Laufzeit, Serviceintervalle und andere Informationen auf. Wenn Sie mehr über Husqvarna Fleet Services™ erfahren möchten, können Sie die iOS- oder Android-App Husqvarna Fleet Services auf <https://apps.apple.com/se/app/husqvarna-fleet-services/id1334672726> oder <https://>

play.google.com/store/apps/details?id=com.husqvarna.hfsmobile&hl=en herunterladen.

Geräte mit integrierter Konnektivität sind über den integrierten Husqvarna Fleet Services™-Sensor mit Bluetooth Low Energy (BLE) verbunden. Weitere Informationen zur Nutzung finden Sie unter *So nutzen Sie die integrierte Konnektivität auf Seite 25*. Informationen zu BLE technology radio spectrum finden Sie unter *Integrierte Konnektivität auf Seite 31*.

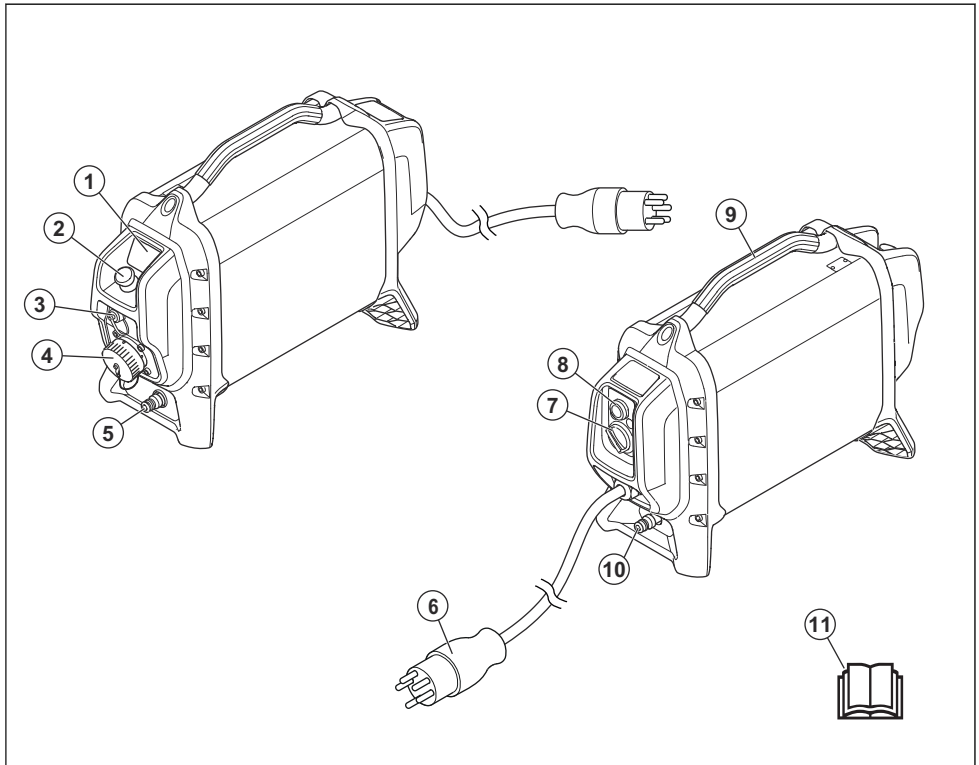
Verwendungszweck

Dieses Gerät wird verwendet, um geeignete Husqvarna-Elektrowerkzeuge wie Trennschleifer oder Bohrmaschinen mit einem Hochfrequenzmotor zu betreiben. Jede andere Verwendung ist nicht korrekt.

Das Gerät wird mit Wasser gekühlt. Verwenden Sie das Gerät immer in Verbindung mit einer Wasserversorgung.

Das Gerät ist nur für den professionellen Einsatz bestimmt.

Geräteübersicht



1. Bedientafel und Statusanzeige
2. Maschinen-Stopptaste
3. USB-Anschluss, für Service
4. Werkzeuganschluss
5. Wasseranschluss – Auslass
6. Netzstecker, verschiedene Netzstecker für verschiedene Märkte
7. FI-Rücksetzknopf
8. FI-Testschalter
9. Transportgriff
10. Wasseranschluss – Einlass
11. Bedienungsanleitung

Symbole auf dem Gerät



WARNUNG: Bei unvorsichtiger oder nicht ordnungsgemäßer Bedienung kann es zu Verletzungen oder zum Tode des Benutzers oder anderer Personen kommen.



Lesen Sie die Bedienungsanleitung sorgfältig durch, und machen Sie sich mit den Anweisungen vertraut, bevor Sie das Gerät verwenden.



Kontrollen und/oder Wartungsarbeiten sind bei abgeschaltetem Motor und abgezogenem Stecker durchzuführen.



Dieses Gerät entspricht den geltenden EU-Richtlinien.



Dieses Gerät entspricht den in Australien und Neuseeland geltenden Richtlinien zur elektromagnetischen Verträglichkeit.



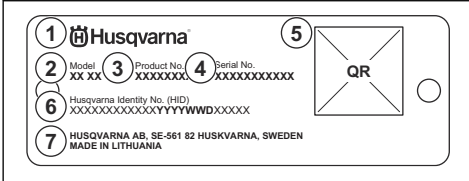
RoHS-Symbol für China für den Zeitraum, in dem die umweltfreundliche Nutzung gegeben ist (EUFZP).



Das Gerät und die Verpackung des Geräts dürfen nicht über den Hausmüll entsorgt werden. Recyceln Sie es an einer Recyclingstation für elektrische und elektronische Geräte.

Hinweis: Sonstige Symbole/Aufkleber auf dem Gerät beziehen sich auf spezielle Zertifizierungsanforderungen, die in bestimmten Ländern gelten.

Typenschild



1. Hersteller
2. Modell
3. Gerätenummer
4. Seriennummer
5. QR-Code
6. Husqvarna-Identifikationsnummer
7. Herstelleradresse

HID-Spezifikation

Die Husqvarna-Identifikationsnummer besteht aus 5 Teilen und insgesamt 25 Zeichen: [PNC] [Werk und Linie (FFL)] [Datum] [Fortlaufende Nr.] [Steuerzeichen].

Das Datum besteht aus 7 Zeichen.

- Format: JJJJWWDD
- JJJJ = Jahr
- W = Wochennummer
- D = Tagesnummer

Produkthaftung

Im Sinne der Produkthaftungsgesetze übernehmen wir keine Haftung für Schäden, die unser Gerät verursacht, wenn...

- das Gerät nicht ordnungsgemäß repariert wird.
- das Gerät mit Teilen repariert wird, die nicht vom Hersteller stammen oder nicht vom Hersteller zugelassen sind.
- ein Zubehörteil mit dem Gerät verwendet wird, das nicht vom Hersteller stammt oder nicht vom Hersteller zugelassen ist.
- das Gerät nicht bei einem zugelassenen Service Center oder von einem zugelassenen Fachmann repariert wird.

Sicherheit

Sicherheitsdefinitionen

Warnungen, Vorsichtsmaßnahmen und Hinweise werden verwendet, um auf besonders wichtige Teile der Bedienungsanleitung hinzuweisen.



WARNUNG: Wird verwendet, wenn bei Nichtbeachtung der Anweisungen in diesem Handbuch die Gefahr von Verletzung oder Tod des Bedieners oder anderer Personen besteht.



ACHTUNG: Wird verwendet, wenn bei Nichtbeachtung der Anweisungen in diesem Handbuch die Gefahr von Schäden am Gerät, an anderen Materialien oder in der Umgebung besteht.

Hinweis: Für weitere Informationen, die in bestimmten Situationen nötig sind.

Allgemeine Sicherheitshinweise für Elektrowerkzeuge



WARNUNG: Lesen Sie alle für dieses Elektrowerkzeug vorgesehenen Sicherheitshinweise, Anleitungen, Abbildungen und technischen Daten. Wenn Sie die unten stehenden Anweisungen nicht befolgen, kann dies zu elektrischen Schlägen, Brand und/oder schweren Verletzungen führen.

- **Bewahren Sie alle Warnhinweise und Anweisungen für spätere Referenzzwecke auf.** Der Begriff „Elektrowerkzeug“ in den Warnhinweisen bezieht sich auf ein Elektrowerkzeug mit Netzbetrieb (über ein Kabel) oder mit Akkubetrieb (kabellos).

Sicherheit im Arbeitsbereich

- **Sorgen Sie für einen sauberen und gut ausgeleuchteten Arbeitsbereich.** Durch zugestellte oder dunkle Arbeitsbereiche steigt die Unfallgefahr stark an.
- **Betreiben Sie Elektrowerkzeuge niemals an Orten, an denen Explosionsgefahr besteht, z. B. in der Nähe von leicht entzündlichen Flüssigkeiten, Gasen**

oder Staubansammlungen. Bei der Arbeit mit Elektrowerkzeugen kann es zu Funkenbildung kommen, wodurch sich Staub oder Dämpfe entzünden können.

- **Sorgen Sie bei der Arbeit mit Elektrowerkzeugen dafür, dass sich keine Kinder oder unbefugte Personen in der Nähe befinden.** Durch Ablenkungen können Sie die Kontrolle über das Werkzeug verlieren.

Elektrische Sicherheit

- **Die Netzstecker von Elektrowerkzeugen müssen zur Steckdose passen. Der Netzstecker darf in keiner Weise verändert werden. Verwenden Sie bei Elektrowerkzeugen mit Schutzkontakt (geerdet) niemals Adapterstecker.** Nicht modifizierte Stecker und Steckdosen reduzieren das Risiko eines Elektroschocks.
- **Vermeiden Sie Körperkontakt mit geerdeten Gegenständen wie Rohrleitungen, Heizungen, Herden oder Kühlschränken.** Bei Körperkontakt mit geerdeten Gegenständen besteht ein erhöhtes Stromschlagrisiko.
- **Setzen Sie Elektrowerkzeuge niemals Regen oder sonstiger Feuchtigkeit aus.** Wenn Wasser in ein Elektrowerkzeug eindringt, erhöht sich das Stromschlagrisiko.
- **Verwenden Sie das Anschlusskabel nicht missbräuchlich. Verwenden Sie das Anschlusskabel niemals zum Tragen oder Heranziehen des Elektrowerkzeugs, und ziehen Sie den Stecker nicht am Anschlusskabel aus der Steckdose. Halten Sie das Kabel fern von Hitzequellen, Öl, scharfen Kanten und beweglichen Teilen.** Beschädigte oder verdrehte Anschlusskabel erhöhen das Stromschlagrisiko.
- **Wenn Sie ein Elektrowerkzeug im Freien benutzen, verwenden Sie ein für den Außeneinsatz geeignetes Verlängerungskabel.** Die Verwendung eines für den Außeneinsatz geeigneten Kabels verringert das Risiko eines Stromschlags.
- **Falls der Einsatz eines Elektrowerkzeugs in einer feuchten Umgebung nicht zu vermeiden ist, benutzen Sie eine Stromversorgung mit FI-Schutzschalter (RCD).** Die Verwendung einer Fehlerstrom-Schutzeinrichtung (RCD) verringert das Risiko eines elektrischen Schlags.

Persönliche Sicherheit

- **Blieben Sie aufmerksam, achten Sie auf das, was Sie tun, und setzen Sie gesunden Menschenverstand ein, wenn Sie mit Elektrowerkzeugen arbeiten. Benutzen Sie keine Elektrowerkzeuge, wenn Sie müde sind oder unter dem Einfluss von Drogen, Alkohol oder Medikamenten stehen.** Bei der Arbeit mit Elektrowerkzeugen können bereits kurze Phasen der Unaufmerksamkeit zu schweren Verletzungen führen.

- **Tragen Sie eine persönliche Schutzausrüstung. Tragen Sie stets einen Augenschutz.** Schutzausrüstung wie Atemschutzmaske, rutschsichere Sicherheitsschuhe, Schutzhelm und Gehörschutz senkt bei angemessenem Einsatz das Verletzungsrisiko.
- **Vermeiden Sie ein versehentliches Starten. Achten Sie darauf, dass sich der Schalter in der AUS-Stellung befindet, bevor Sie das Elektrowerkzeug an die Stromversorgung und/oder den Akku anschließen oder es hochheben oder herumtragen.** Durch Herumtragen von Elektrowerkzeugen mit dem Finger am Schalter und das Einstecken des Steckers bei betätigtem Schalter steigt das Unfallrisiko stark an.
- **Entfernen Sie sämtliche Einstellschlüssel, bevor Sie das Elektrowerkzeug einschalten.** Ein an einem beweglichen Teil des Elektrowerkzeugs angebrachter Schlüssel kann zu Verletzungen führen.
- **Sorgen Sie für einen festen Stand. Achten Sie jederzeit darauf, sicher zu stehen und das Gleichgewicht zu bewahren.** Dadurch haben Sie das Elektrowerkzeug in unerwarteten Situationen besser im Griff.
- **Kleiden Sie sich richtig. Tragen Sie niemals lose sitzende Kleidung oder Schmuck. Halten Sie Haar und Kleidung von beweglichen Teilen fern.** Lose sitzende Kleidung, Schmuck oder langes Haar kann von beweglichen Teilen erfasst werden.
- **Wenn Anschlüsse für Staubabsaug- und Staubsammelvorrichtungen vorhanden sind, sorgen Sie dafür, dass diese richtig angeschlossen und eingesetzt werden.** Die Verwendung von Staubsammelvorrichtungen vermindert durch Staub verursachte Gefahren.
- **Auch wenn Sie durch häufige Verwendung bestens mit den Werkzeugen vertraut sind, dürfen Sie keinesfalls nachlässig werden und die Sicherheitsgrundsätze ignorieren.** Eine achtlose Handlung kann im Bruchteil einer Sekunde zu schweren Verletzungen führen.

Verwendung und Pflege von Elektrowerkzeugen

- **Überbeanspruchen Sie Elektrowerkzeuge nicht. Benutzen Sie das richtige Elektrowerkzeug für Ihren Einsatzzweck.** Das richtige Elektrowerkzeug erledigt seine Arbeit bei bestimmungsgemäßem Einsatz besser und sicherer.
- **Benutzen Sie das Elektrowerkzeug nicht, wenn es sich nicht am Schalter ein- und ausschalten lässt.** Jedes Elektrowerkzeug, das nicht mit dem Schalter betätigt werden kann, stellt eine Gefahr dar und muss repariert werden.
- **Trennen Sie das Elektrowerkzeug von der Stromversorgung, bzw. entfernen Sie den Akku, bevor Sie Einstellungen vornehmen, Zubehörteile austauschen oder das Elektrowerkzeug verstauen.** Solche präventiven Sicherheitsmaßnahmen

verhindern den unbeabsichtigten Start des Elektrowerkzeugs.

- **Lagern Sie nicht benutzte Elektrowerkzeuge außerhalb der Reichweite von Kindern, und lassen Sie nicht zu, dass Personen das Elektrowerkzeug bedienen, die nicht mit dem Werkzeug selbst und/oder diesen Anweisungen vertraut sind.** Elektrowerkzeuge stellen in ungeschulten Händen eine Gefahr dar.
- **Warten Sie Elektrowerkzeuge und Zubehör. Prüfen Sie auf Fehlausrichtungen, sicheren Halt und Leichtgängigkeit beweglicher Teile, Beschädigungen von Teilen sowie auf jegliche andere Zustände, die sich auf den Betrieb des Elektrowerkzeugs auswirken können. Bei Beschädigungen lassen Sie das Elektrowerkzeug reparieren, bevor Sie es benutzen.** Viele Unfälle mit Elektrowerkzeugen sind auf schlechte Wartung zurückzuführen.
- **Halten Sie Schneidwerkzeuge scharf und sauber.** Ordnungsgemäß gewartete Schneidwerkzeuge mit scharfen Schneidkanten bleiben seltener hängen und sind einfacher zu bedienen.
- **Benutzen Sie Elektrowerkzeuge, Zubehör, Werkzeugeinsätze und Ähnliches in Übereinstimmung mit diesen Anweisungen und auf die für das jeweilige Elektrowerkzeug bestimmungsgemäße Weise, und beachten Sie dabei die jeweiligen Arbeitsbedingungen und die Art der auszuführenden Arbeiten.** Der Einsatz eines Elektrowerkzeugs für Zwecke, die von den hier angegebenen abweichen, kann zu Gefahrensituationen führen.
- **Halten Sie die Handgriffe und Griffflächen trocken, sauber und frei von Öl und Fett.** Wenn Handgriffe und Griffflächen rutschig sind, kann das Werkzeug in unerwarteten Situationen nicht sicher bedient und kontrolliert werden.

Service

- **Lassen Sie das Elektrowerkzeug von einem qualifizierten Fachmann reparieren, und bestehen Sie darauf, dass nur Originalersatzteile verwendet werden.** Auf diese Weise wird dafür gesorgt, dass die Sicherheit des Elektrowerkzeugs nicht beeinträchtigt wird.

Allgemeine Sicherheitshinweise



WARNUNG: Lesen Sie die folgenden Warnhinweise, bevor Sie das Gerät benutzen.

- Dieses Gerät ist ein gefährliches Werkzeug, wenn Sie nicht aufpassen oder es unsachgemäß verwenden. Dieses Gerät kann schwere oder tödliche Verletzungen des Bedieners oder anderer Personen verursachen. Es ist sehr wichtig, dass Sie vor der Anwendung des Geräts den Inhalt dieser Bedienungsanleitung gelesen und verstanden haben.

- Bewahren Sie alle Warn- und Sicherheitshinweise auf.
- Halten Sie alle geltenden Gesetze und Vorschriften ein.
- Der Bediener und dessen Arbeitgeber müssen die mit dem Betrieb des Geräts verbundenen Gefahren kennen und vermeiden.
- Untersagen Sie allen Personen die Benutzung des Geräts, bis diese den Inhalt der Bedienungsanleitung gelesen und verstanden haben.
- Verwenden Sie das Gerät nicht, ohne vorher dafür geschult worden zu sein. Stellen Sie sicher, dass alle Bediener Schulungen erhalten.
- Lassen Sie nicht zu, dass Kinder das Gerät verwenden.
- Es dürfen nur zugelassene Personen mit dem Gerät arbeiten.
- Der Bediener ist für Unfälle verantwortlich, die anderen Personen zustoßen oder an deren Eigentum entstehen.
- Verwenden Sie das Gerät nicht, wenn Sie müde oder krank sind oder unter Einfluss von Alkohol, Drogen oder Medikamenten stehen.
- Lassen Sie immer Vorsicht walten, und arbeiten Sie mit gesundem Menschenverstand.
- Dieses Gerät erzeugt beim Betrieb ein elektromagnetisches Feld. Dieses Feld kann sich unter bestimmten Bedingungen auf die Funktionsweise aktiver oder passiver medizinischer Implantate auswirken. Um die Gefahr von Situationen, die zu schweren oder tödlichen Verletzungen führen können, zu verringern, sollten Personen mit einem medizinischen Implantat vor der Nutzung dieses Gerätes mit ihrem Arzt und dem Hersteller des Implantats sprechen.
- Halten Sie das Gerät sauber. Stellen Sie sicher, dass Symbole und Aufkleber deutlich lesbar sind.
- Verwenden Sie das Gerät nicht, wenn es defekt ist.
- Nehmen Sie keine Modifikationen am Gerät vor.
- Bedienen Sie das Gerät nicht, wenn die Möglichkeit besteht, dass andere Personen Modifikationen daran durchgeführt haben.

Sicherheitshinweise für den Betrieb



WARNUNG: Lesen Sie die folgenden Warnhinweise, bevor Sie das Gerät benutzen.

- Lesen Sie die Bedienungsanleitung für das angeschlossene Elektrowerkzeug sorgfältig durch. Stellen Sie sicher, dass Sie alle Anweisungen verstanden haben.
- Bei elektrisch angetriebenen Geräten besteht immer die Gefahr von elektrischen Schlägen. Verwenden Sie das Gerät nicht bei schlechtem Wetter. Vermeiden Sie, dass Ihr Körper Blitzableiter oder Metallgegenstände berührt. Befolgen Sie unbedingt

die Anweisungen in der Bedienungsanleitung, um Schäden zu vermeiden.

- Verbinden Sie das Gerät nur mit geerdeten Steckdosen.
- Kontrollieren Sie, ob die Netzspannung mit dem entsprechenden Spannungswert auf dem Typenschild des Geräts übereinstimmt.
- Stellen Sie sicher, dass Strom- und Verlängerungskabel intakt und in gutem Zustand sind.
- Verwenden Sie das Gerät nicht, wenn das Gerät oder das Netzkabel beschädigt ist. Lassen Sie das Gerät von einer autorisierten Servicewerkstatt reparieren oder das Netzkabel ersetzen.
- Verwenden Sie kein aufgewickeltes Verlängerungskabel, um eine Überhitzung auszuschließen.
- Stellen Sie sicher, dass Kinder das Gerät nicht verwenden.
- Entfernen Sie sich nicht vom Gerät, wenn der Motor eingeschaltet ist.
- Trennen Sie das Gerät bei längeren Arbeitsunterbrechungen immer von der Stromversorgung.
- Bedienen Sie das Gerät nur dann, wenn Sie bei einem Unfall Hilfe bekommen können.
- Stellen Sie sicher, dass das Gerät auf einer stabilen Oberfläche steht.
- Ziehen Sie immer den Netzstecker aus der Steckdose, wenn das Gerät bewegt wird.
- Ziehen Sie das Netzkabel nicht ab, bevor der Motor aus ist und vollständig zum Stillstand gekommen ist.
- Die Feuerlöschausrüstung muss stets in Reichweite aufbewahrt werden.

Persönliche Schutzausrüstung



WARNUNG: Lesen Sie die folgenden Warnhinweise, bevor Sie das Gerät verwenden.

- Verwenden Sie stets die vorgeschriebene persönliche Schutzausrüstung bei der Bedienung des Geräts. Die persönliche Schutzausrüstung kann Verletzungen nicht vollständig vermeiden, vermindert aber den Umfang der Verletzungen und Schäden bei einem Unfall. Lassen Sie sich bei der Auswahl der korrekten persönlichen Schutzausrüstung von Ihrem Händler beraten.
- Überprüfen Sie regelmäßig den Zustand der persönlichen Schutzausrüstung.
- Verwenden Sie einen zugelassenen Schutzhelm.
- Tragen Sie einen zugelassenen Gehörschutz.
- Tragen Sie einen zugelassenen Atemschutz.
- Tragen Sie einen zugelassenen Augenschutz mit seitlicher Abschirmung.
- Tragen Sie stets Schutzhandschuhe.

- Tragen Sie Stiefel mit Stahlkappe und rutschfester Sohle.
- Tragen Sie zugelassene Arbeitskleidung oder gleichwertige, eng anliegende Kleidung mit langen Ärmeln und langen Hosenbeinen.

Sicherheitsvorrichtungen am Gerät



WARNUNG: Lesen Sie die folgenden Warnhinweise, bevor Sie das Gerät benutzen.

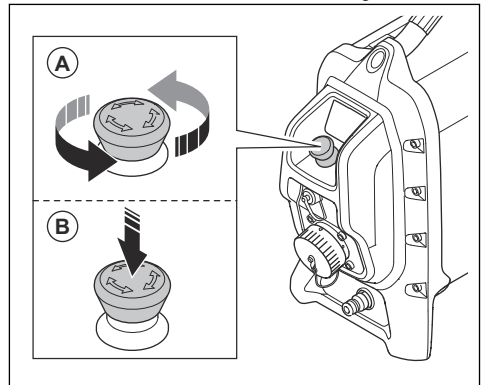
- Benutzen Sie kein Gerät mit defekten Sicherheitsvorrichtungen.
- Führen Sie regelmäßig eine Überprüfung der Sicherheitsvorrichtungen durch. Wenn die Sicherheitsvorrichtungen defekt sind, wenden Sie sich an Ihre Husqvarna-Servicewerkstatt.

Maschinen-Stopptaste

Die Maschinen-Stopptaste auf dem Antriebsaggregat trennt das Elektrowerkzeug von der Stromversorgung. Sie reduziert ebenfalls die Drehzahl des verbundenen Elektrowerkzeugs.

So prüfen Sie die Maschinen-Stopptaste

1. Betätigen Sie die Maschinen-Stopptaste auf dem Gerät, um sicherzustellen, dass es ausgeschaltet ist.



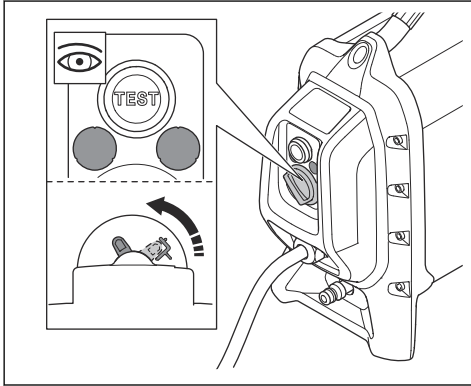
2. Starten Sie das angeschlossene Elektrowerkzeug.
3. Drücken Sie die Maschinen-Stopptaste und stellen Sie sicher, dass das angeschlossene Elektrowerkzeug stoppt.

Erdschlusstremschalter (RCD)

Das Gerät hat einen integrierten RCD-Schalter (Erdschlusstremschalter). Der RCD-Schalter dient zum Schutz des Bedieners, wenn ein elektrischer Fehler auftritt.

So überprüfen Sie den Dreiphasen-FI-Schalter

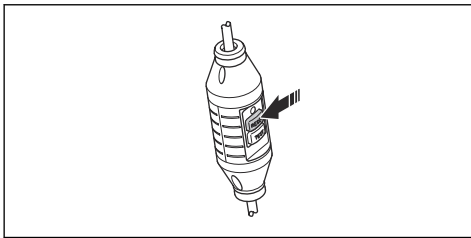
1. Starten Sie das Gerät, siehe *So starten Sie das Gerät auf Seite 26*.
2. Sehen Sie in die Inspektionsöffnungen, und drücken Sie den FI-Testschalter.



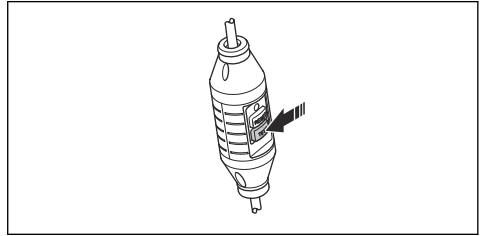
3. Stellen Sie sicher, dass sich der FI-Schalter bewegen lässt und das Gerät von der Stromversorgung trennt.
4. Drehen Sie den FI-Rücksetzknopf, um den FI-Schalter zurückzusetzen.

So überprüfen Sie den Einphasen-FI-Schalter

1. Verbinden Sie das Gerät mit einer Steckdose. Verwenden Sie den richtigen Adapter. Siehe *Adapter auf Seite 33*.
2. Drücken Sie die RESET-Taste (grün), und die rote LED leuchtet auf.



3. Starten Sie das Gerät.
4. Drücken Sie die TEST-Taste (blau).



5. Der FI-Schalter muss auslösen, und das Gerät muss sofort zum Stillstand kommen. Wenn nicht, wenden Sie sich bitte an Ihren Husqvarna-Händler.
6. Drücken Sie die RESET-Taste (grün).

Sicherheitshinweise für die Wartung



WARNUNG: Lesen Sie die folgenden Warnhinweise, bevor Sie das Gerät warten.

- Nicht autorisierte Änderungen und/oder nicht autorisiertes Zubehör können zu schweren Verletzungen des Bedieners oder anderer Personen führen.
- Nur Husqvarna-Servicecenter dürfen das Gehäuse öffnen und Wartungsarbeiten am Gerät durchführen.
- Warten Sie das Gerät täglich, um sicherzustellen, dass es ordnungsgemäß funktioniert. Siehe *Wartung auf Seite 27*.
- Führen Sie die Inspektion und/oder Wartung bei stehendem Motor und gezogenem Netzstecker durch.
- Reinigen Sie das Gerät mit Wasser. Verwenden Sie keinen Hochdruckreiniger. Richten Sie den Wasserstrahl nicht auf elektrische Bauteile oder Lager.
- Lassen Sie das Gerät nur von einer autorisierten Servicewerkstatt warten. Verwenden Sie nur Ersatzteile von Husqvarna oder gleichwertige Ersatzteile.

Betrieb

Einleitung



WARNUNG: Vor dem Betrieb des Gerätes müssen Sie die Sicherheitsinformationen lesen und verstehen.

Bevor Sie das Produkt in Betrieb nehmen

1. Lesen Sie die Betriebsanleitung sorgfältig durch, und vergewissern Sie sich, dass Sie die Anweisungen verstehen.
2. Warten Sie das Gerät täglich. Siehe *Tägliche Wartung auf Seite 27*.

3. Sorgen Sie dafür, dass sich keine Unbefugten im Arbeitsbereich aufhalten, da andernfalls die Gefahr schwerer Verletzungen besteht.
4. Tragen Sie eine persönliche Schutzausrüstung. Siehe *Persönliche Schutzausrüstung auf Seite 23*.

So nutzen Sie die integrierte Konnektivität

Hinweis: Funk über Bluetooth® wird aktiviert, wenn das Gerät zum ersten Mal an eine Netzsteckdose angeschlossen wird, und bleibt danach aktiv.

1. Laden Sie die iOS- oder Android-App Husqvarna Fleet Services herunter.
2. Weitere Informationen finden Sie unter <https://fleetservices.husqvarna.com>.

So schließen Sie das Gerät an die Stromversorgung an

1. Stellen Sie das Gerät auf einer stabilen und trockenen Oberfläche am Arbeitsplatz auf.
2. Schließen Sie das Gerät an eine geerdete Steckdose mit kontinuierlicher Spannung an, siehe *Technische Daten auf Seite 31*. Kontrollieren Sie, ob die Netzspannung mit der auf dem Geräteschild angegebenen Spannung übereinstimmt.
3. Wenn die Stromquelle einphasig ist, verwenden Sie einen Adapter. Siehe *Adapter auf Seite 33*.

Anschluss an die Wasserversorgung



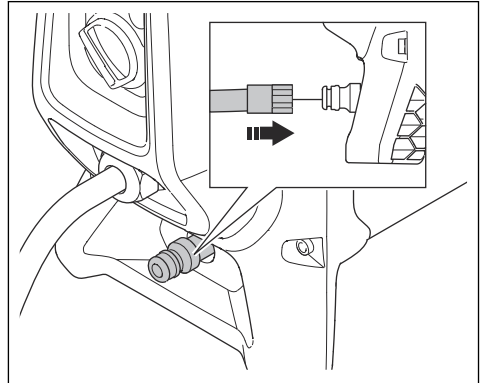
ACHTUNG: Verwenden Sie nur sauberes Wasser, damit kein Schmutz das Wassersystem verstopft.



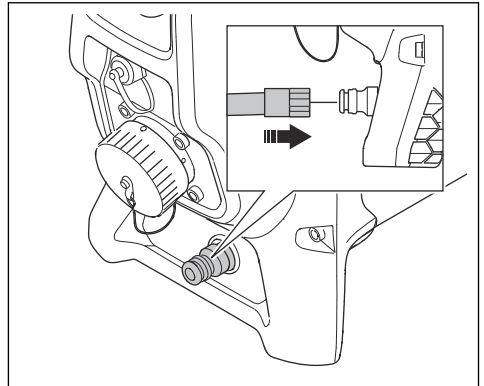
ACHTUNG: Entfernen Sie das Wasser nach der Nutzung mittels Luftdruck aus dem Gerät. Das Wasser kann einfrieren und das Gerät beschädigen.

Hinweis: Das Kühlwasser stoppt während eines Stromausfalls nicht.

1. Schließen Sie den Wasserschlauch an den Wassereinfluss-Anschluss an.



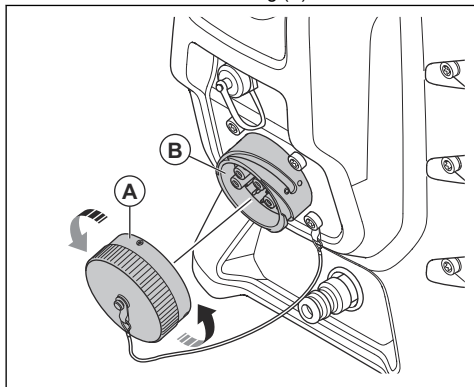
2. Verbinden Sie den Wassereinfluss-Anschluss am Produkt mit dem Elektrowerkzeug.



3. Passen Sie den Durchfluss des Kühlwassers an das Elektrowerkzeug an, siehe Betriebsanleitung des Elektrowerkzeugs.
4. Passen Sie den Wasserdruck an die Wasserquelle an.

So verbinden Sie das Elektrowerkzeug mit dem Gerät

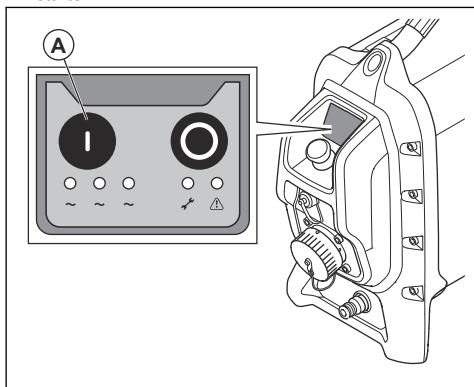
1. Entfernen Sie die Abdeckung (A).



2. Verbinden Sie das Elektrowerkzeug mit dem Werkzeuganschluss (B). Falls erforderlich, verwenden Sie einen Adapter. Ihr Husqvarna-Servicehändler steht Ihnen gerne für weitere Informationen zur Verfügung.

So starten Sie das Gerät

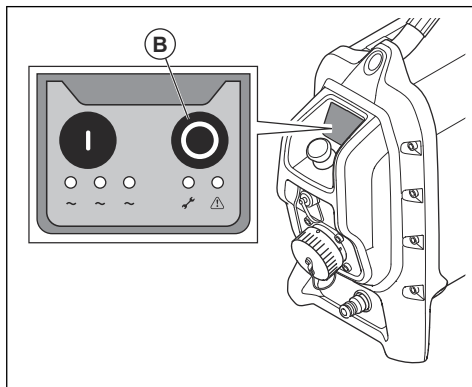
1. Stellen Sie sicher, dass die Maschinen-Stoppptaste ausgeschaltet ist. Siehe *So prüfen Sie die Maschinen-Stoppptaste auf Seite 23*.
2. Drücken Sie auf die EIN-Taste (A), um das Gerät zu starten.



So schalten Sie das Gerät aus

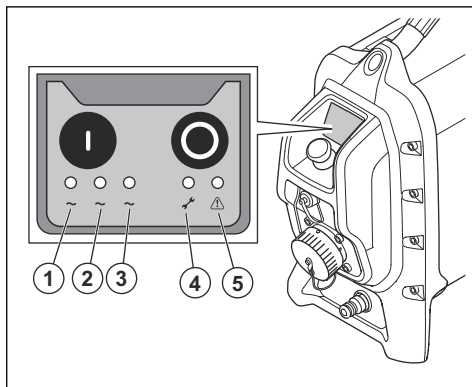
1. Schalten Sie das verbundene Elektrowerkzeug aus. Siehe Bedienungsanleitung für das Elektrowerkzeug.

2. Drücken Sie die AUS-Taste (B), um das Gerät auszuschalten.



Statusanzeige-Leuchten

Wenn das Gerät angeschlossen ist, leuchten die Statusanzeigen 1-5 für einige Sekunden auf.



1. Phasenleuchte (grün)
2. Phasenleuchte (grün)
3. Phasenleuchte (grün)
4. Serviceanzeige (gelb)
5. Warnanzeige (rot)

Weitere Informationen zu den Statusanzeige-Leuchten finden Sie unter *Erklärung der Statusanzeige-Leuchten auf Seite 27*.

Warnanzeige



ACHTUNG: Wenn die Warnanzeige leuchtet, nehmen Sie das Gerät nicht in Betrieb. Das Gerät kann beschädigt werden.

Wenn die Warnanzeige (rote Leuchte) aufleuchtet, schalten Sie das Gerät sofort aus. Siehe *Erklärung der Statusanzeige-Leuchten auf Seite 27*.

Wartung

Einleitung



WARNUNG: Lesen Sie vor dem Warten des Geräts das Kapitel über Sicherheit, und machen Sie sich damit vertraut.

- Halten Sie die Anschlüsse und Stifte sauber. Reinigen Sie sie mit einem Lappen oder Pinsel.
- Stellen Sie sicher, dass das Wassersystem unbeschädigt ist.

USB-Anschluss

Das Produkt hat einen USB-Anschluss.



WARNUNG: Trennen Sie das Gerät von der Stromversorgung, und warten Sie mindestens 5 Minuten, bevor Sie mit der Wartung beginnen.

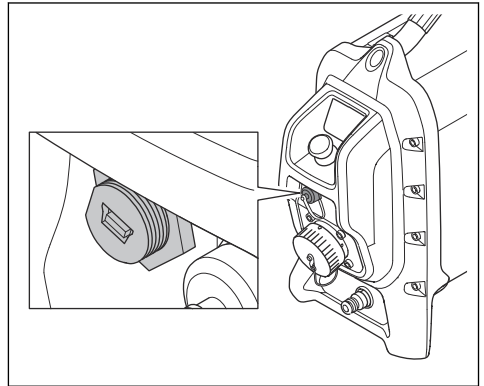


ACHTUNG: Nur autorisiertes Marken-Servicepersonal darf die USB-Verbindung nutzen.



ACHTUNG: Reinigen Sie das Gerät nicht mit einem Hochdruckreiniger. Der hohe Druck kann die Dichtungen beschädigen. So können Wasser und Schmutz in das Gerät gelangen.

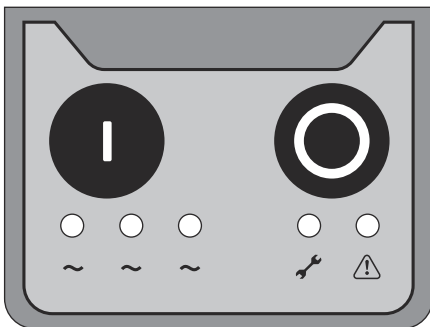
- Überprüfen Sie die Sicherheitsausrüstung. Vergewissern Sie sich, dass sie nicht beschädigt ist. Siehe *Sicherheitsvorrichtungen am Gerät auf Seite 23*.
- Stellen Sie sicher, dass sich Strom- und Verlängerungskabel in einem guten Zustand befinden und nicht beschädigt sind.
- Stellen Sie sicher, dass sich Wasserschlauch und -Kupplungen in einem guten Zustand befinden und nicht beschädigt sind.
- Reinigen Sie am Ende des Arbeitstages stets das Gerät. Verwenden Sie eine robuste Bürste oder einen großen Pinsel.



Fehlerbehebung

Erklärung der Statusanzeige-Leuchten

Die Statusanzeige-Leuchten helfen Ihnen bei der Fehlerbehebung.



Das Licht ist an.



Das Licht ist aus.



Das Licht blinkt schnell.



Das Licht blinkt langsam.



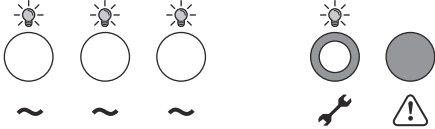
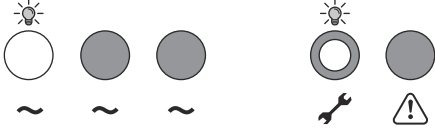
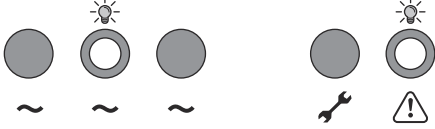
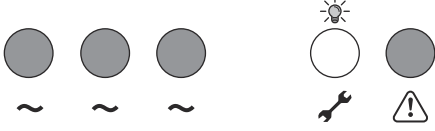
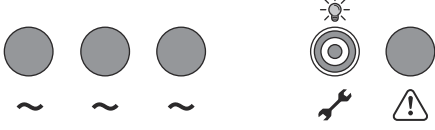
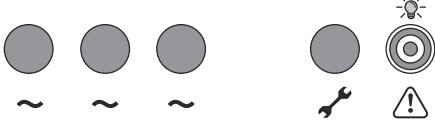
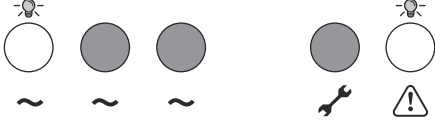
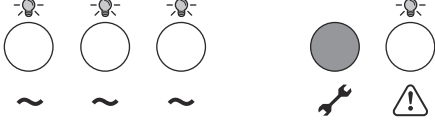
Das Licht leuchtet von links nach rechts auf, dann wieder nach links.

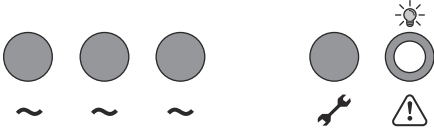


Das Licht leuchtet von links nach rechts auf.

Geräte-Display

Bedientafel	Status	Schritt
	Keine Stromversorgung.	Die Stromversorgung überprüfen.
	Funktionsprüfung der LED bei Stromanschluss. (< 3 s)	Die Maschinen-Stoptaste überprüfen. Siehe <i>So prüfen Sie die Maschinen-Stoptaste auf Seite 23.</i>
	Das Gerät befindet sich im Standby-Modus.	k. A.
	Phasenauswahlsequenz beim Start. (< 3 s)	Bei > 3 s die Sicherungen und die Spannung prüfen.
	Das Gerät ist eingeschaltet und einphasig angeschlossen.	k. A.
	Das Gerät ist eingeschaltet und dreiphasig angeschlossen.	k. A.
	Stromfehler.	Sicherungen und Generator überprüfen.

Bedientafel	Status	Schritt
	Das Werkzeug ist unbekannt.	Eine Husqvarna-Servicewerkstatt kontaktieren.
	Das Werkzeug ist unbekannt.	Eine Husqvarna-Servicewerkstatt kontaktieren.
	Die Maschinen-Stoppaste ist nach unten gedrückt. Das Gerät befindet sich im Energiesparmodus.	Das Gerät zurücksetzen. Stellen Sie sicher, dass die Maschinen-Stoppaste nicht eingeschaltet ist.
	Falsche Situation.	1. Das Gerät neu starten. 2. Wenn das Gerät nicht gestartet werden kann, eine Husqvarna-Servicewerkstatt kontaktieren.
	Erdungsfehler.	1. Werkzeug wechseln und Gerät neu starten. 2. Wenn das Gerät nicht gestartet werden kann, eine Husqvarna-Servicewerkstatt kontaktieren.
	Hardware-Fehler.	
	Es liegt ein Fehler beim angeschlossenen Werkzeug vor.	
	Stromversorgung unterbrochen, weil das Gerät zu heiß ist.	Das Gerät und das angeschlossene Elektrowerkzeug abkühlen lassen.
	Warnung: Das Gerät kann zu heiß sein (einphasig).	Das Kühlwasser prüfen. Die Last verringern.
	Warnung: Das Gerät kann zu heiß sein (dreiphasig).	Das Kühlwasser prüfen. Die Last verringern.

Bedientafel	Status	Schritt
	<p>Es liegt ein Fehler beim angeschlossenen Werkzeug vor.</p>	<p>Das angeschlossene Werkzeug prüfen.</p>

Transport und Lagerung

Transport des Gerätes

- Befestigen Sie das Gerät während des Transports, um Schäden und Unfälle zu vermeiden.
- Stoppen Sie den Motor und trennen Sie das Netzkabel jedes Mal, bevor das Gerät angehoben oder bewegt wird.
- Nehmen Sie das Elektrowerkzeug und das Stromkabel immer vom Netz, bevor Sie das Gerät transportieren.

Lagerung des Geräts

- Bewahren Sie das Gerät in einem verschlossenen Bereich auf, um einen unerlaubten Zugriff durch Kinder oder andere nicht befugte Personen zu verhindern.
- Bewahren Sie das Gerät in einem trockenen Bereich auf.
- Stellen Sie sicher, dass die Temperatur nicht niedriger als -25 °C (-77 °F) und nicht höher als 50 °C (122 °F) ist.

Technische Daten

Technische Daten

Antriebsaggregat	
Max. Leistung, kW	6,5
Nennleistung dreiphasig, A	15
Nennleistung einphasig, A	15
Dreiphasen-Eingangsspannung, V	200-480, 50/60 Hz
Einphasen-Eingangsspannung, V	120-240, 50/60 Hz
Netzteil	
Dreiphasig	L1+L2+L3+PE
Einphasig	L+N+PE
Kühlwasser (vom angeschlossenen Werkzeug)	
Druck, bar	7
Wassertemperatur, empfohlen, C	< 25
Gewicht	
Antriebsaggregat, kg	18

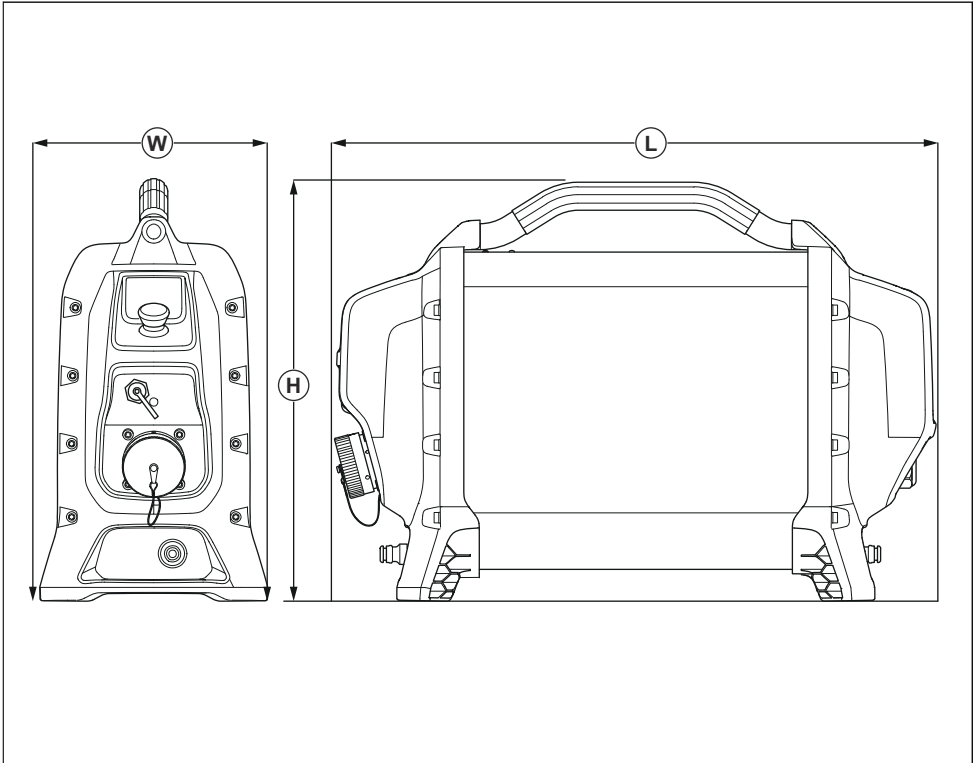
Integrierte Konnektivität

BLE-Technologie-Frequenzband	
Frequenzbänder für das Werkzeug, GHz	2,402 - 2,480
Maximale Funkfrequenz-Leistung, dBm/mW	4/2,5

Typische Betriebsfälle eines Generators

1-phasig/ 3-phasig	PP 70, Leistung	Generatorleistung, V	Empfohlene Mindestleistung des Generators, kVA
3-phasig	Volle Leistung	3x380, 3x416, 3x440, 3x480	10
	Eingeschränkte Leistung	3x208, 3x220, 3x240	10
1-phasig	Eingeschränkte Leistung	220-240	5

Gerätemaße



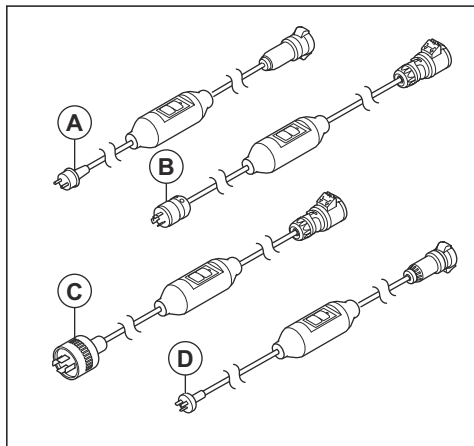
Abmessungen, mm

W	183	H	410	L	570
----------	-----	----------	-----	----------	-----

Zubehör

Adapter

Es gibt verschiedene Einphasen-Adapter für verschiedene Märkte:



- Adapter für EU (A).
- Adapter für US (B).
- Adapter für JP (C).
- Adapter für AU (D).

Es gibt verschiedene Adapter für den Werkzeuganschluss. Weitere Informationen erhalten Sie bei Ihrem Husqvarna-Händler.

Service

Einleitung



WARNUNG: Nur autorisierte Service-Zentren dürfen das Gerät reparieren. So werden Unfälle der Bediener verhindert.

Anerkanntes Service-Zentrum

Um ein anerkanntes Husqvarna Construction Products-Service-Zentrum in Ihrer Nähe zu finden, besuchen Sie die Website www.husqvarnacp.com.

EU-Konformitätserklärung

EU-Konformitätserklärung

HCP-PP70-1

Die **Husqvarna AB**, SE-561 82 Huskvarna, Schweden,
Tel.: +46-36-146500, erklärt in alleiniger Verantwortung,
dass das Gerät:

Beschreibung	Antriebsaggregat
Marke	Husqvarna
Typ/Modell	PP 70
Identifizierung	Seriennummern ab 2019

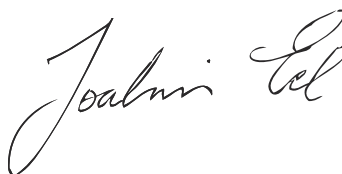
die folgenden EU-Richtlinien und -Vorschriften erfüllt:

Richtlinie/Vorschrift	Beschreibung
2014/53/EG	„zu Funkanlagen“
2011/65EU	„zur Beschränkung der Verwendung bestimmter gefährlicher Stoffe“

und dass die folgenden harmonisierten Normen und/
oder technischen Daten angewendet werden;

- EN ISO 12100:2010
- EN 55014-1:2017
- EN 55014-2:2015
- EN 61000-3-2:2014
- EN 61000-3-3:2013
- EN 62841-1:2014
- ETSI EN 300 328 V2.1.1
- ETSI EN 301 489-1 V2.2.0
- ETSI EN 301 489-17 V3.2.0

Partille, 2019-11-26



Joakim Ed

Vice President

Concrete Sawing, Drilling & Light Demolition

Husqvarna AB, Construction Division

Verantwortlich für die technische Dokumentation

EINGETRAGENE MARKEN

Die *Bluetooth®* Wortmarke und die Logos sind
eingetragene Marken von Bluetooth SIG, inc. , und die
Verwendung dieser Marken durch Husqvarna erfolgt
unter Lizenz.

Sommaire

Introduction.....	35	Caractéristiques techniques.....	48
Sécurité.....	37	Accessoires.....	50
Utilisation.....	41	Entretien.....	50
Entretien.....	43	Déclaration de conformité CE.....	51
Dépannage.....	44	Marques déposées.....	51
Transport et stockage.....	47		

Introduction

Description du produit

Le produit est un bloc d'alimentation utilisé avec des outils électriques Husqvarna. Pour plus d'informations, reportez-vous au manuel de l'opérateur de l'outil électrique.

Ce produit est doté d'une connectivité intégrée. reportez-vous à la section *Connectivité intégrée* à la page 35.

Connectivité intégrée

Husqvarna Fleet Services™ est une solution de gestion des actifs dans le cloud qui donne un aperçu de tous les appareils connectés via des capteurs intégrés ou en pièce détachée au gestionnaire de flotte. Les capteurs enregistrent des données comme la durée de fonctionnement, les intervalles d'entretien et davantage encore. Pour plus d'informations sur Husqvarna Fleet Services™, téléchargez l'application iOS ou Android Husqvarna Fleet Services sur <https://apps.apple.com/se/app/husqvarna-fleet-services/>

[id1334672726](https://play.google.com/store/apps/details?id=com.husqvarna.hfsmobile&hl=en) ou <https://play.google.com/store/apps/details?id=com.husqvarna.hfsmobile&hl=en>.

Les produits dotés d'une connectivité intégrée sont connectés via le capteur intégré Husqvarna Fleet Services™ qui dispose de Bluetooth Low Energy (BLE). Pour plus d'informations sur son utilisation, reportez-vous à *Pour utiliser la connectivité intégrée* à la page 41. Pour plus d'informations sur le BLE technology radio spectrum reportez-vous à *Connectivité intégrée* à la page 48.

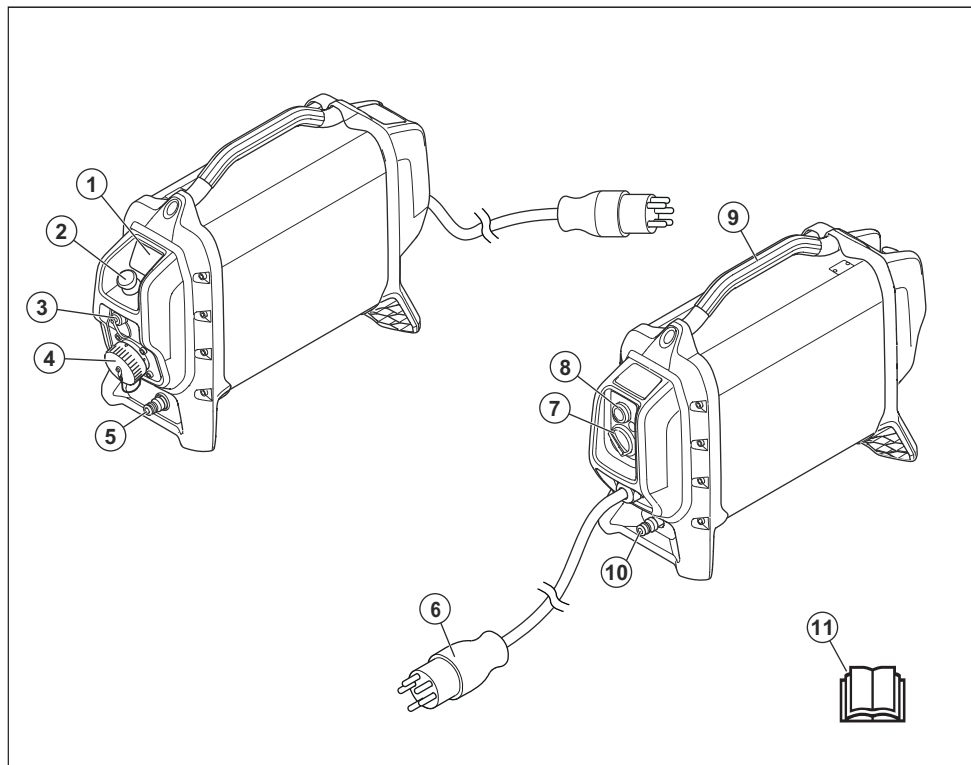
Utilisation prévue

Ce produit est utilisé pour faire fonctionner des outils électriques Husqvarna dotés d'un moteur à haute fréquence, par exemple des découpeuses et des foreuses. Il n'est destiné à aucune autre utilisation.

Le produit reste froid avec l'eau. Veillez à ce que le produit soit toujours alimenté en eau pendant l'utilisation.

Ce produit est à usage professionnel uniquement.

Aperçu du produit



1. Panneau de commande et indicateur d'état
2. Bouton d'arrêt de la machine
3. Connexion USB, pour l'entretien
4. Sortie pour connexion d'outil
5. Sortie du raccord de l'eau
6. Prise de courant, différentes prises de courant pour différents marchés
7. Bouton de réinitialisation du disjoncteur différentiel
8. Bouton de test du disjoncteur différentiel
9. Poignée de transport
10. Entrée du raccord de l'eau
11. Manuel de l'opérateur

Symboles concernant le produit



AVERTISSEMENT : Une utilisation négligente ou inadaptée peut provoquer des blessures, voire la mort, pour l'opérateur ou les personnes à proximité.



Lisez avec attention le manuel d'utilisation et assurez-vous de bien comprendre les instructions avant d'utiliser ce produit.



L'inspection et/ou l'entretien doivent être effectués avec le moteur à l'arrêt et la prise de courant débranchée.



Ce produit est conforme aux directives CE en vigueur.



Le produit est conforme aux directives australiennes et néo-zélandaises en matière de compatibilité électromagnétique.



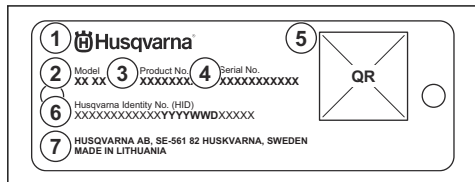
Symbole de la durée d'utilisation respectueuse de l'environnement (EUFP) de la directive RoHS en Chine.



Le produit ou son emballage ne font pas partie des ordures ménagères. Déposez-le dans une station de recyclage pour équipements électriques et électroniques.

Remarque: les autres symboles/autocollants présents sur le produit concernent des exigences de certification spécifiques à certains marchés.

Plaque d'identification



1. Fabricant
2. Modèle
3. Référence de produit
4. Numéro de série
5. Code QR
6. Numéro d'identification Husqvarna
7. Adresse du fabricant

Spécification HID

Le numéro d'identification Husqvarna comporte 5 sections et un total de 25 caractères : [PNC] [Usine et ligne (FFL)] [Date] [N° de séquence] [Caractère de contrôle].

La date comporte 7 caractères.

- Format : AAAASSJ
- AAAA = année
- SS = numéro de semaine
- J = numéro de jour

Responsabilité

Conformément à la loi sur la responsabilité du fait des produits, nous déclinons toute responsabilité pour tout dommage causé par notre produit si :

- le produit n'est pas correctement réparé ;
- le produit est réparé avec des pièces qui ne proviennent pas du fabricant ou qui ne sont pas homologuées par le fabricant ;
- le produit est équipé d'un accessoire qui ne provient pas du fabricant ou qui n'est pas homologué par le fabricant ;
- le produit n'est pas réparé par un centre d'entretien agréé ou par une autorité homologuée.

Sécurité

Définitions de sécurité

Des avertissements, des recommandations et des remarques sont utilisés pour souligner des parties spécialement importantes du manuel.



AVERTISSEMENT: Symbole utilisé en cas de risque de blessures ou de mort pour l'opérateur ou les personnes à proximité si les instructions du manuel ne sont pas respectées.



REMARQUE: Symbole utilisé en cas de risque de dommages pour le produit, d'autres matériaux ou les environs si les instructions du manuel ne sont pas respectées.

Remarque: Symbole utilisé pour donner des informations supplémentaires pour une situation donnée.

Consignes générales de sécurité relatives à l'outil à moteur



AVERTISSEMENT: Lisez l'ensemble des avertissements de sécurité, des consignes, des illustrations et des spécifications

fournies avec cet outil électrique. Le non-respect des consignes énumérées ci-dessous peut être à l'origine d'un choc électrique, d'un incendie et/ou de blessures graves.

- **Conservez tous les avertissements et instructions pour référence ultérieure.** Le terme « outil électrique » dans les avertissements fait référence à votre outil électrique (filaire) branché sur secteur, ou à votre outil électrique (sans fil) alimenté par batterie.

Sécurité dans l'espace de travail

- **Maintenez un espace de travail propre et bien éclairé.** Les espaces encombrés ou sombres exposent à des accidents.
- **N'utilisez pas de machines à usiner dans des atmosphères explosives, en présence de liquides, de gaz ou de poussières inflammables par exemple.** Les machines à usiner provoquent des étincelles qui peuvent enflammer la poussière ou les vapeurs.
- **Tenez les enfants et les spectateurs à distance lorsque la machine à usiner est en marche.** Un moment d'inattention peut vous faire perdre le contrôle.

Sécurité électrique

- **Les fiches des machines à usiner doivent être adaptées à la prise. N'apportez jamais de modifications à la fiche. Ne pas utiliser de fiches d'adaptation avec des machines mises à la terre.** Des fiches non modifiées et des prises compatibles réduisent le risque de choc électrique.
- **Évitez tout contact physique avec les surfaces mises à la terre telles que les tuyaux, les radiateurs, les cuisinières et les réfrigérateurs.** Le risque d'électrocution est plus important si le corps est relié à la terre.
- **Ne pas exposer les outils électriques à la pluie ou à l'humidité.** L'infiltration d'eau dans une machine à usiner augmente le risque d'électrocution.
- **Ne malmenez pas le cordon. N'utilisez jamais le cordon pour porter, tirer ou débrancher la machine. Maintenez le cordon d'alimentation à l'écart de la chaleur, de bords tranchants ou de pièces en mouvement.** Les fils endommagés ou emmêlés augmentent le risque de choc électrique.
- **Lorsque vous utilisez un outil électrique à l'extérieur, utilisez une rallonge électrique adaptée à l'usage extérieur.** L'utilisation d'un cordon d'alimentation pour usage extérieur réduit le risque d'électrocution.
- **Si vous n'avez d'autre choix que d'utiliser un outil électrique dans un endroit humide, utilisez une alimentation protégée par un dispositif de courant résiduel (RCD).** L'utilisation d'un RCD réduit le risque de choc électrique.

Sécurité du personnel

- **Restez attentif, regardez ce que vous faites et ayez recours à votre bon sens lorsque vous utilisez un outil électrique. N'utilisez pas d'outil électrique si vous êtes fatigué ou si vous êtes sous l'emprise de drogues, d'alcool ou de médicaments.** Un moment d'inattention pendant l'utilisation des machines à usiner peut entraîner des blessures corporelles graves.
- **Utilisez un équipement de protection personnelle. Travaillez toujours avec des lunettes de protection.** Les équipements de protection tels que le masque anti-poussière, les chaussures de sécurité antidérapantes, le casque ou le protège-oreilles utilisés dans des conditions appropriées réduisent les blessures corporelles.
- **Évitez tout démarrage intempestif. Vérifiez que l'interrupteur est en position d'arrêt avant de brancher l'outil sur l'alimentation et/ou la batterie, de le ramasser ou de le transporter.** Le fait de garder le doigt sur l'interrupteur pendant le transport des outils ou le branchement des machines alors que l'interrupteur est en position ON expose à des accidents.
- **Retirez toute clé ou clavette de calage avant de mettre la machine à usiner sous tension.** Une clé ou une clavette reliée à une pièce mobile de la machine à usiner peut entraîner des blessures corporelles.

- **Ne vous éloignez pas trop. Restez toujours en équilibre et sur vos appuis.** Cela favorise le contrôle de la machine à usiner dans les situations inattendues.
- **Habillez-vous correctement. Ne portez jamais de vêtements amples ou de bijoux. Éloignez vos cheveux et vos vêtements des pièces mobiles.** Les vêtements amples, les bijoux et les cheveux longs peuvent rester coincés dans les pièces mobiles.
- **Si des dispositifs sont fournis pour raccorder des systèmes de collecte et d'extraction de la poussière, vérifiez qu'ils sont correctement branchés et utilisés.** L'utilisation de systèmes de collecte de poussière peut réduire les risques associés à la poussière.
- **La connaissance des outils, acquise par l'usage fréquent de ces derniers, ne doit pas vous dispenser d'être prudent et d'appliquer les principes de sécurité.** Une action inconsidérée peut provoquer de graves blessures en une fraction de seconde.

Utilisation et entretien de la machine à usiner

- **Ne forcez pas sur la machine à usiner. Utilisez la machine à usiner qui convient à l'application.** La machine qui convient réalisera mieux son travail et de façon plus sûre, à la vitesse pour laquelle elle a été conçue.
- **N'utilisez pas la machine à usiner si l'interrupteur ne permet pas la mise sous tension ou l'arrêt.** Toute machine à usiner impossible à commander avec l'interrupteur est dangereuse et doit être réparée.
- **Débranchez la fiche de l'alimentation et/ou retirez la batterie, si celle-ci est amovible, avant de procéder aux réglages, de changer les accessoires ou de stocker un outil électrique.** Ces mesures de sécurité préventive réduisent le risque de mise sous tension accidentelle de la machine à usiner.
- **Rangez les machines à usiner hors de la portée des enfants et ne pas laisser des personnes qui ne connaissent pas la machine ou ces consignes utiliser l'appareil.** Les machines à usiner sont dangereuses si elles sont entre les mains d'utilisateurs non formés.
- **Entretenez les accessoires et outils électriques. Vérifier le mauvais alignement ou la fixation des pièces mobiles, l'éventuelle rupture des pièces ou toute autre condition susceptible d'altérer le fonctionnement de la machine. Si elle est endommagée, la machine à usiner doit être réparée avant toute réutilisation.** De nombreux accidents sont dus à des machines mal entretenues.
- **Maintenez les outils tranchants aiguisés et propres.** Des outils tranchants correctement entretenus avec des bords aiguisés sont moins susceptibles de se coincer et sont plus faciles à contrôler.
- **Utiliser la machine à usiner, les accessoires, les grains, etc. en suivant ces consignes et en tenant compte des conditions de travail et de la tâche à**

réaliser. Il est dangereux d'utiliser l'outil électrique pour tout autre usage que celui prévu.

- **Les poignées et les surfaces de maintien doivent toujours être propres, sèches et sans traces d'huile ni de graisse.** Les poignées et les surfaces de maintien glissantes ne permettent pas une manipulation et un contrôle sûrs de l'outil dans des situations inattendues.

Entretien

- **Confiez l'entretien de votre outil électrique à un mécanicien qualifié qui utilisera uniquement des pièces de rechange identiques.** Cela permet de garantir la sécurité de la machine.

Instructions générales de sécurité



AVERTISSEMENT: Lisez les instructions qui suivent avant d'utiliser le produit.

- Ce produit est un outil dangereux si vous ne faites pas attention ou si vous l'utilisez de manière incorrecte. Ce produit peut causer des blessures graves, voire mortelles, à l'opérateur ou à d'autres personnes. Avant d'utiliser le produit, il convient de lire attentivement et de bien comprendre les instructions contenues dans ce manuel de l'opérateur.
- Conservez tous les avertissements de sécurité et toutes les instructions.
- Respectez l'ensemble des lois et réglementations applicables.
- L'opérateur et son employeur doivent connaître et éviter tout risque au cours de l'utilisation du produit.
- Ne laissez personne utiliser le produit avant d'avoir lu et compris le contenu du manuel de l'opérateur.
- N'utilisez pas le produit sauf si vous bénéficiez d'une formation préalable. Assurez-vous que tous les opérateurs suivent une formation.
- Ne laissez pas un enfant utiliser le produit.
- Seules les personnes autorisées peuvent utiliser le produit.
- L'utilisateur est tenu responsable des accidents auxquels il expose autrui ou ses biens.
- N'utilisez jamais l'appareil si vous êtes fatigué ou malade, ou si vous êtes sous l'emprise d'alcool, de drogues ou de médicaments.
- Soyez toujours prudent et utilisez votre bon sens.
- Ce produit génère un champ électromagnétique durant son fonctionnement. Ce champ peut dans certaines circonstances perturber le fonctionnement d'implants médicaux actifs ou passifs. Pour réduire le risque de blessures graves ou mortelles, nous recommandons aux personnes portant des implants médicaux de consulter leur médecin et le fabricant de leur implant avant d'utiliser cet appareil.

- Maintenez le produit propre. Assurez-vous que vous pouvez lire clairement les avertissements et les autocollants.
- N'utilisez pas le produit si celui-ci est défectueux.
- Ne modifiez pas ce produit.
- N'utilisez pas le produit s'il est susceptible d'avoir été modifié par d'autres personnes.

Instructions de sécurité pour le fonctionnement



AVERTISSEMENT: Lisez les instructions qui suivent avant d'utiliser le produit.

- Lisez attentivement le manuel d'utilisation de l'outil électrique connecté. Assurez-vous de bien comprendre les instructions.
- les produits électriques présentent toujours un risque de choc. N'utilisez pas le produit dans de mauvaises conditions météorologiques. Évitez de toucher des paratonnerres ou des objets métalliques. Suivez toujours les instructions du manuel de l'opérateur afin d'éviter tout dommage.
- Branchez le produit uniquement sur des prises reliées à la terre.
- Assurez-vous que la tension secteur est identique à la tension indiquée sur la plaque signalétique du produit.
- Assurez-vous que le cordon d'alimentation et la rallonge sont en bon état et fonctionnent correctement.
- N'utilisez pas le produit si le cordon d'alimentation est endommagé. Faites réparer le produit par un atelier spécialisé agréé ou remplacez le cordon d'alimentation.
- Afin d'éviter toute surchauffe, n'utilisez pas de rallonge enroulée.
- Ne laissez pas des enfants utiliser le produit.
- Ne vous éloignez pas du produit lorsque le moteur est allumé.
- Débranchez toujours l'alimentation électrique du produit lors d'interruptions de travail prolongées.
- N'utilisez pas le produit si vous ne pouvez pas être secouru en cas d'accident.
- Assurez-vous que le produit reste sur une surface stable.
- Débranchez toujours la prise de courant avant de déplacer le produit.
- Ne débranchez pas le cordon d'alimentation tant que le moteur n'est pas éteint et complètement arrêté.
- Gardez toujours à portée de main du matériel de protection incendie.

Équipement de protection individuel



AVERTISSEMENT: Lisez les instructions qui suivent avant d'utiliser le produit.

- Portez toujours un équipement de protection individuel homologué lorsque vous utilisez le produit. L'équipement de protection individuel ne protège pas complètement des blessures, mais il diminue la gravité des blessures en cas d'accident. Faites appel à votre revendeur pour vous aider à sélectionner l'équipement de protection individuel adéquat.
- Vérifiez régulièrement l'état de votre équipement de protection individuel.
- Utilisez un casque de protection homologué.
- Utilisez des protège-oreilles agréés.
- Portez une protection respiratoire homologuée.
- Utilisez des protections pour les yeux homologuées avec protections latérales.
- Utilisez des gants de protection.
- Utilisez des bottes avec embouts en acier et semelle antidérapante.
- Utilisez des vêtements de travail homologués ou des vêtements près du corps équivalents dotés de manches longues et d'un pantalon.

Dispositifs de sécurité sur le produit



AVERTISSEMENT: Lisez les instructions qui suivent avant d'utiliser le produit.

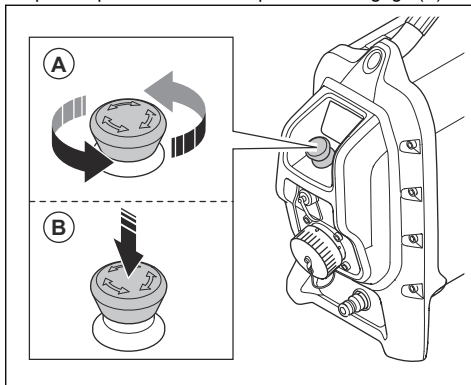
- N'utilisez pas un produit avec des dispositifs de sécurité défectueux.
- Contrôlez les dispositifs de sécurité régulièrement. Si les dispositifs de sécurité sont défectueux, parlez-en à votre agent d'entretien Husqvarna.

Bouton d'arrêt de la machine

Le bouton d'arrêt de la machine situé sur le bloc d'alimentation déconnecte l'outil électrique de l'alimentation électrique. Il diminue également la vitesse de l'outil électrique connecté.

Pour contrôler le bouton d'arrêt de la machine

1. Tournez le bouton d'arrêt de la machine sur le produit pour vous assurer qu'il est désengagé (A).



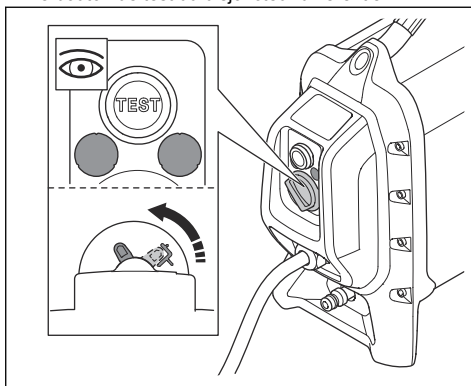
2. Mettez en marche l'outil électrique connecté.
3. Appuyez sur le bouton d'arrêt de la machine et assurez-vous que l'outil électrique connecté s'arrête.

Disjoncteur différentiel

Le produit est doté d'un disjoncteur différentiel intégré. Le disjoncteur différentiel sert à protéger l'utilisateur en cas de défaut électrique.

Contrôle du RCD (triphase)

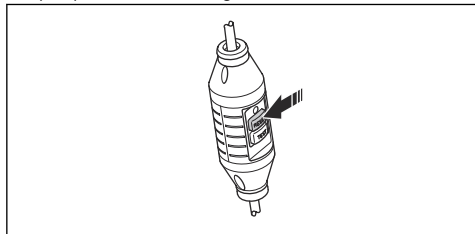
1. Faites démarrer le produit, reportez-vous à la section *Pour démarrer le produit à la page 42*.
2. Regardez dans les trous d'inspection et appuyez sur le bouton de test du disjoncteur différentiel.



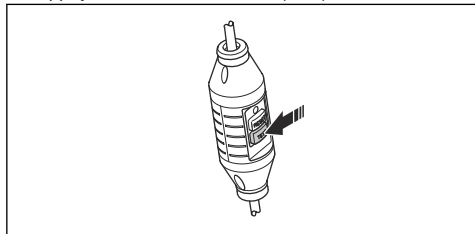
3. Assurez-vous que le disjoncteur différentiel se déplace et qu'il déconnecte le produit de l'alimentation électrique.
4. Tournez le bouton de réinitialisation du disjoncteur différentiel pour réinitialiser ce dernier.

Contrôle du RCD (monophasé)

1. Branchez le produit à la prise. Utilisez l'adaptateur approprié. Reportez-vous à la section *Adaptateurs à la page 50*.
2. Appuyez sur le bouton RESET (Réinitialisation) (vert) et les diodes rouges s'allumeront.



3. Faites démarrer le produit.
4. Appuyez sur le bouton TEST (bleu).



5. Le RCD doit se déclencher et le produit doit s'arrêter immédiatement. Si ce n'est pas le cas, contactez votre revendeur Husqvarna.

6. Appuyez sur le bouton RESET (Réinitialisation) (vert).

Consignes de sécurité pour l'entretien



AVERTISSEMENT: Lisez les instructions qui suivent avant d'effectuer l'entretien du produit.

- Les changements et/ou accessoires non homologués peuvent provoquer des blessures graves, voire mortelles pour l'utilisateur ou d'autres personnes.
- Seuls les centres de maintenance Husqvarna doivent ouvrir le boîtier et effectuer la maintenance du produit.
- Effectuez l'entretien quotidien pour vous assurer que le produit fonctionne correctement. Reportez-vous à la section *Entretien à la page 33*.
- Effectuez l'inspection et/ou l'entretien avec le moteur arrêté et la prise de courant débranchée.
- Nettoyez le produit avec de l'eau. N'utilisez pas de nettoyeur à haute pression. Ne dirigez pas le jet vers les composants électriques ou les paliers.
- Ne laissez personne d'autre qu'un spécialiste d'entretien approuvé effectuer l'entretien du produit. Utilisez uniquement des pièces de rechange Husqvarna ou des pièces équivalentes.

Utilisation

Introduction



AVERTISSEMENT: Avant d'utiliser le produit, vous devez lire et comprendre le chapitre sur la sécurité.

Avant d'utiliser le produit

1. Lisez attentivement le manuel d'utilisation et assurez-vous de bien comprendre les instructions.
2. Effectuez l'entretien quotidien. Reportez-vous à la section *Entretien quotidien à la page 43*.
3. Assurez-vous que seules les personnes autorisées se trouvent dans la zone de travail, car il existe un risque de blessures graves.
4. Utilisez un équipement de protection personnelle. Reportez-vous à la section *Équipement de protection individuel à la page 40*.

Pour utiliser la connectivité intégrée

Remarque: La transmission radio Bluetooth® sera activée lors du premier branchement à la prise secteur et le restera par la suite.

1. Téléchargez l'application iOS ou Android Husqvarna Fleet Services.
2. Reportez-vous à <https://fleetservices.husqvarna.com> pour obtenir plus d'informations.

Branchement du produit à une source d'alimentation

1. Placez le produit sur une surface stable et sèche sur le lieu de travail.
2. Branchez le produit sur une prise reliée à la terre et à tension continue ; reportez-vous à la section *Caractéristiques techniques à la page 48*. Assurez-vous que la tension secteur est conforme aux valeurs indiquées sur la plaque signalétique du produit.

3. Si la source d'alimentation est monophasée, utilisez un adaptateur. Reportez-vous à la section *Adaptateurs à la page 50*.

Raccordement d'une arrivée d'eau



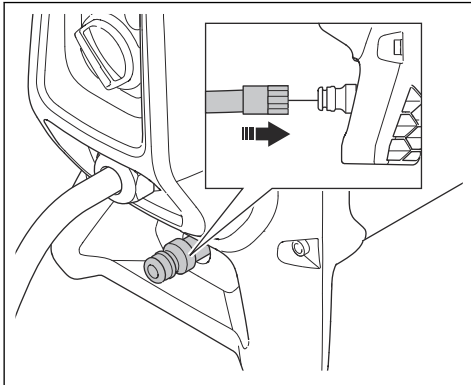
REMARQUE: Utilisez uniquement de l'eau propre pour éviter que la saleté provoque une obstruction dans le système d'eau.



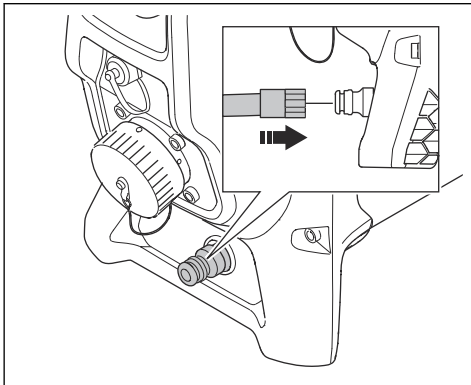
REMARQUE: Utilisez la pression d'air pour vidanger le produit après utilisation. L'eau peut geler et endommager le produit.

Remarque: L'eau de refroidissement ne s'arrête pas de couler en cas de coupure de courant.

1. Branchez le tuyau d'eau à l'entrée du raccord de l'eau sur le produit.



2. Branchez la sortie du raccord de l'eau du produit sur l'outil électrique.

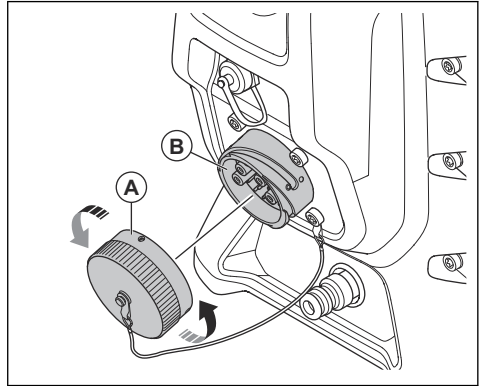


3. Pour régler le débit de l'eau de refroidissement vers l'outil électrique, reportez-vous au manuel de l'opérateur de l'outil électrique.

4. Réglez la pression de l'eau au niveau de la source d'eau.

Connecter un outil électrique au produit

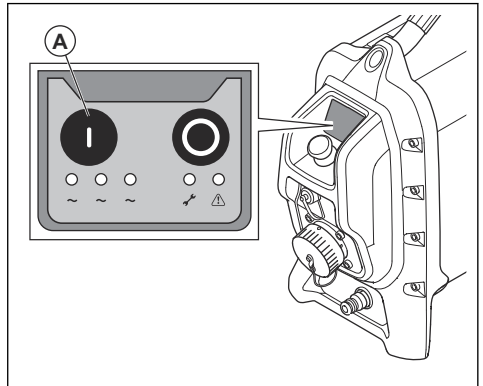
1. Retirez le capot (A).



2. Branchez l'outil électrique sur la sortie pour connexion d'outil (B). Utilisez un adaptateur si nécessaire. Pour davantage d'informations, contactez votre atelier d'entretien Husqvarna.

Pour démarrer le produit

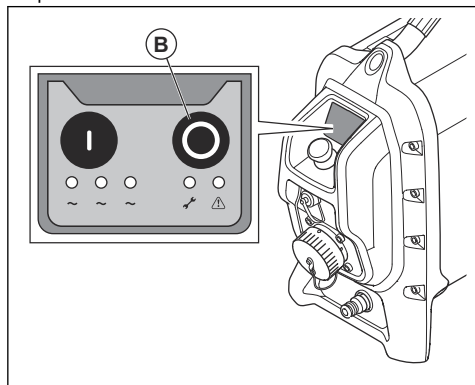
1. Assurez-vous que le bouton d'arrêt de la machine est désengagé. Reportez-vous à la section *Pour contrôler le bouton d'arrêt de la machine à la page 40*.
2. Appuyez sur le bouton ON (A) pour mettre le produit en marche.



Pour arrêter le produit

1. Arrêtez l'outil électrique connecté. Reportez-vous au manuel de l'opérateur de l'outil électrique.

- Appuyez sur le bouton OFF (B) pour arrêter le produit.



- Voyant de phase (vert)
- Voyant de phase (vert)
- Voyant de phase (vert)
- Témoin d'entretien (jaune)
- Témoin d'avertissement (rouge)

Pour plus d'informations sur les voyants d'indication d'état, reportez-vous à la section *Explication relative aux voyants d'indication d'état* à la page 44.

Témoin d'avertissement

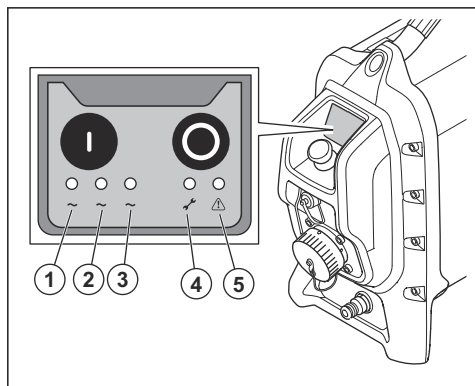


REMARQUE: Cessez d'utiliser le produit lorsque le témoin d'avertissement est allumé. Risque de détérioration du produit.

Si le témoin d'avertissement (voyant rouge) s'allume, arrêtez le produit. reportez-vous à la section *Explication relative aux voyants d'indication d'état* à la page 44.

Voyants d'indication d'état

Lorsque le produit est connecté, les voyants 1-5 s'allument pendant quelques secondes.



Entretien

Introduction



AVERTISSEMENT: assurez-vous de lire et de comprendre le chapitre sur la sécurité avant de procéder à l'entretien du produit.



REMARQUE: N'utilisez pas de nettoyeur haute pression pour le nettoyage du produit. La haute pression peut endommager les joints et provoquer l'introduction d'eau et de saleté dans le produit.

Entretien quotidien



AVERTISSEMENT: Débranchez le produit de l'alimentation électrique et attendez au moins 5 minutes avant de procéder à l'entretien.

- Contrôlez l'équipement de sécurité. Assurez-vous qu'il n'est pas endommagé. reportez-vous à la section *Dispositifs de sécurité sur le produit* à la page 40.
- Assurez-vous que le cordon d'alimentation et la rallonge sont en bon état et non endommagés.
- Assurez-vous que le tuyau d'eau et les raccords d'eau sont en bon état et non endommagés.

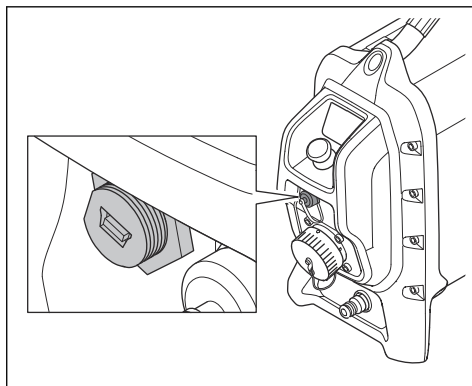
- Nettoyez toujours le produit à la fin de la journée de travail. Utilisez une brosse manuelle résistante ou un pinceau large.
- Maintenez les connecteurs et les broches propres. Nettoyez-les à l'aide d'un chiffon ou d'une brosse.
- Assurez-vous que le système d'eau n'est pas endommagé.

Prise USB

Le produit est doté d'une prise USB.

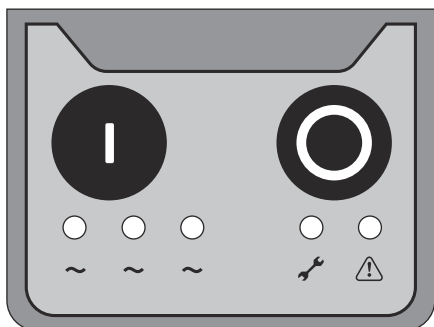


REMARQUE: Seul un technicien marque agréé doit utiliser la connexion USB.



Dépannage

Explication relative aux voyants d'indication d'état



Les voyants d'indication d'état vous aident à effectuer le dépannage.



Le voyant est allumé.



Le voyant est éteint.



Le voyant clignote rapidement.



Le voyant clignote lentement.



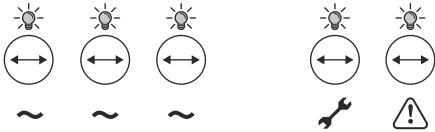
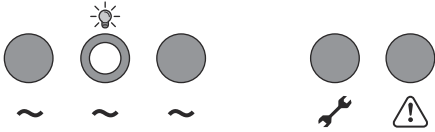
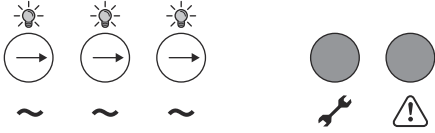
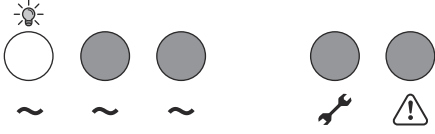
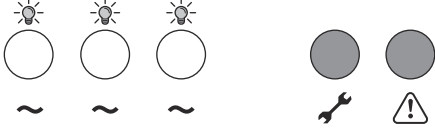
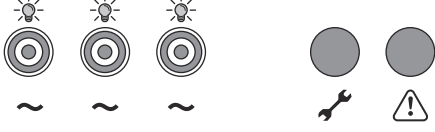
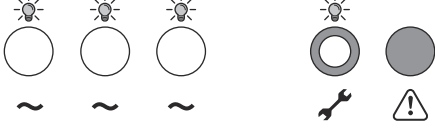
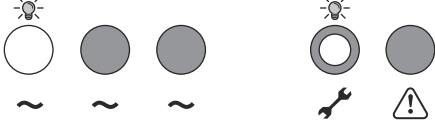
Le voyant passe du côté gauche au côté droit, puis de nouveau au côté gauche.

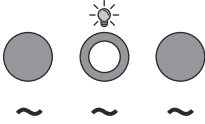
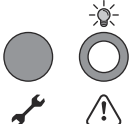
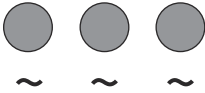
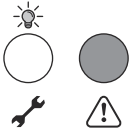
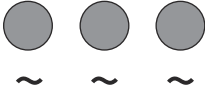
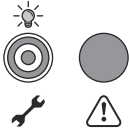
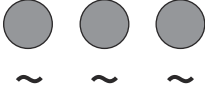
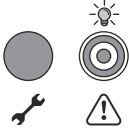
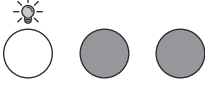
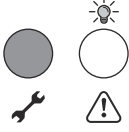
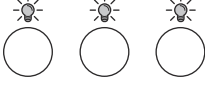
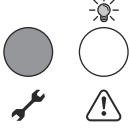
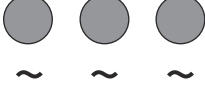
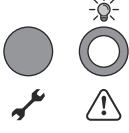


Le voyant passe du côté gauche au côté droit.

Affichage sur le produit

Panneau de commande	Statut	Étape
	Alimentation électrique absente.	Contrôlez l'alimentation électrique.

Panneau de commande	Statut	Étape
	Test de fonctionnement de la LED au niveau de la connexion de l'alimentation. (< 3 s)	Contrôlez le bouton d'arrêt de la machine. Reportez-vous à la section <i>Pour contrôler le bouton d'arrêt de la machine à la page 40.</i>
	Le produit est en mode veille.	N/A
	Séquence de sélection de phase au démarrage. (< 3 s)	Si > 3 s, vérifiez les fusibles et la tension.
	Le produit est sous tension et connecté à une alimentation monophasée.	N/A
	Le produit est sous tension et connecté à une alimentation triphasée.	N/A
	Défaut d'alimentation.	Contrôlez les fusibles et le générateur.
	L'outil est inconnu.	Contactez un atelier spécialisé Husqvarna.
	L'outil est inconnu.	Contactez un atelier spécialisé Husqvarna.

Panneau de commande	Statut	Étape
 	<p>Le bouton d'arrêt de la machine est enfoncé.</p> <p>Le produit est en mode veille.</p>	<p>Réinitialisez le produit.</p> <p>Assurez-vous que le bouton d'arrêt de la machine est relâché.</p>
 	<p>Situation incorrecte.</p>	<ol style="list-style-type: none"> 1. Redémarrez le produit 2. Si le produit ne démarre pas, contactez un atelier spécialisé Husqvarna.
 	<p>Fuite à la terre.</p> <p>Présence d'un défaut matériel.</p> <p>Une erreur est détectée dans l'outil connecté.</p>	<ol style="list-style-type: none"> 1. Changez l'outil et redémarrez le produit 2. Si le produit ne démarre pas, contactez un atelier spécialisé Husqvarna.
 	<p>Absence d'alimentation, car le produit est trop chaud.</p>	<p>Laissez le produit et l'outil électrique connecté refroidir.</p>
 	<p>Avertissement : Le produit peut être trop chaud (monophasé).</p>	<p>Vérifiez l'eau de refroidissement. Réduisez la charge.</p>
 	<p>Avertissement : Le produit peut être trop chaud (triphase).</p>	<p>Vérifiez l'eau de refroidissement. Réduisez la charge.</p>
 	<p>Une erreur est détectée dans l'outil connecté.</p>	<p>Vérifiez l'outil connecté.</p>

Transport et stockage

Transport du produit

- Fixez le produit lors du transport afin d'éviter tout dommage ou accident.
- Arrêtez toujours le produit et débranchez le cordon d'alimentation avant de déplacer le produit.
- Débranchez toujours l'outil électrique et le cordon de l'outil électrique avant le transport.

Remisage du produit

- Conservez le produit dans un endroit verrouillé afin que des enfants ou personnes qui ne sont pas autorisées à l'utiliser ne puissent pas y avoir accès.
- Entreposez le produit dans un endroit sec.
- Assurez-vous que la température n'est pas inférieure à -25 °C (-77 °F) et ne dépasse pas 50 °C (122 °F).

Caractéristiques techniques

Caractéristiques techniques

Bloc d'alimentation	
Puissance de sortie max., kW	6,5
Courant nominal triphasé, A	15
Courant nominal monophasé, A	15
Tension d'entrée triphasée, V	200-480, 50/60 Hz
Tension d'entrée monophasée, V	120-240, 50/60 Hz
Alimentation électrique	
Triphasé	L1+L2+L3+PE
Monophasé	L+N+PE
Eau de refroidissement (depuis l'outil connecté)	
Pression, bar	7
Température de l'eau, recommandée, C	<25
Poids	
Bloc d'alimentation, kg	18

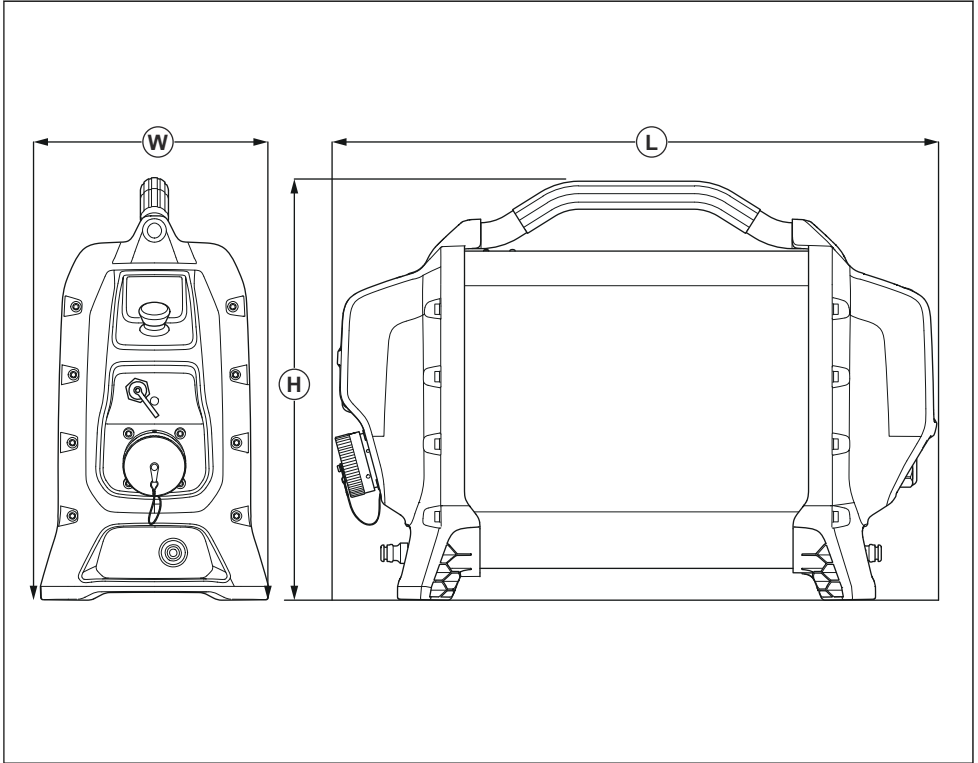
Connectivité intégrée

Spectre radio de la technologie BLE	
Bandes de fréquence de l'outil, GHz	2,402 - 2,480
Puissance de radiofréquence maximale transmise, dBm/mW	4 / 2,5

Cas typiques d'utilisation d'un générateur

Triphasé/Monophasé	PP 70, sortie	Tension de sortie du générateur, V	Tension de sortie du générateur minimum recommandée, kVA
Triphasé	À pleine puissance	3x380, 3x416, 3x440, 3x480	10
	Puissance réduite	3x208, 3x220, 3x240	10
Monophasé	Puissance réduite	220-240	5

Dimensions du produit



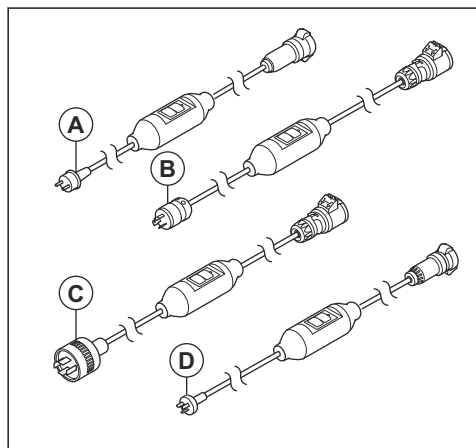
Dimensions, mm

W	183	H	410	L	570
----------	-----	----------	-----	----------	-----

Accessoires

Adaptateurs

Il existe différents adaptateurs monophasés pour différents marchés :



- Adaptateur pour l'Union européenne (A).
- Adaptateur pour les États-Unis (B).
- Adaptateur pour le Japon (C).
- Adaptateur pour l'Australie (D).

Il existe différents adaptateurs pour la prise pour la connexion d'outil. Pour plus d'informations, contactez votre revendeur Husqvarna.

Entretien

Introduction



AVERTISSEMENT: Seul un atelier d'entretien agréé peut effectuer des réparations sur le produit. Cela permet d'éviter que des accidents ne se produisent pour les opérateurs.

Atelier d'entretien agréé

Pour trouver l'atelier d'entretien Husqvarna Construction Products agréé le plus proche, rendez-vous sur le site Web www.husqvarnacp.com.

Déclaration de conformité CE

Déclaration de conformité CE

HCP-PP70-1

Nous, **Husqvarna AB**, SE-561 82 Huskvarna, SUÈDE,
tél. : +46-36-146500, déclarons sous notre entière
responsabilité que le produit :

Description	Bloc d'alimentation
Marque	Husqvarna
Type/Modèle	PP 70
Identification	Numéros de série à partir de 2019 et ultérieurs

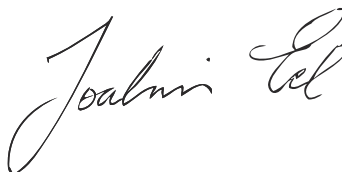
est entièrement conforme à la réglementation et aux
directives de l'UE suivantes :

Directive/Réglementation	Description
2014/53/UE	« relative aux équipements radio »
2011/65UE	« relative à la limitation de l'utilisation de certaines substances dangereuses »

et que les normes harmonisées et/ou les spécifications
techniques suivantes sont appliquées :

- EN ISO 12100:2010
- EN 55014-1:2017
- EN 55014-2:2015
- EN 61000-3-2:2014
- EN 61000-3-3:2013
- EN 62841-1:2014
- ETSI EN 300 328 V2.1.1
- ETSI EN 301 489-1 V2.2.0
- ETSI EN 301 489-17 V3.2.0

Partille, 2019-11-26



Joakim Ed

Vice-président

Découpe et forage de béton, démolition légère

Husqvarna AB, division Construction

Responsable de la documentation technique

Marques déposées

La marque et les logos *Bluetooth®* sont des marques
déposées appartenant à *Bluetooth SIG, inc.*, et toute
utilisation de ces marques par Husqvarna est régie par
une licence.

Inhoud

Inleiding.....	52	Technische gegevens.....	65
Veiligheid.....	54	Accessoires.....	67
Werking.....	58	Service.....	67
Onderhoud.....	60	EG verklaring van overeenstemming.....	68
Probleemoplossing.....	61	Geregistreerde handelsmerken.....	68
Transport en opslag.....	64		

Inleiding

Productbeschrijving

Het product is een krachtbron die samen met elektrisch gereedschap van Husqvarna wordt gebruikt. Raadpleeg voor meer informatie de bedieningshandleiding van het elektrisch gereedschap.

Dit product heeft geïntegreerde connectiviteit. Zie *Geïntegreerde connectiviteit op pagina 52*.

Geïntegreerde connectiviteit

Husqvarna Fleet Services™ is een cloudoplossing voor beheer van bedrijfsmiddelen die de fleetmanager een overzicht geeft van alle producten die zijn verbonden via geïntegreerde of aftermarketensensoren. De sensoren registreren gegevens zoals gebruiksduur, onderhoudsintervallen en meer. Voor meer informatie over Husqvarna Fleet Services™, downloadt u de iOS- of Android-app Husqvarna Fleet Services via <https://apps.apple.com/se/app/husqvarna-fleet-services/id1334672726> of <https://play.google.com/store/apps/details?id=com.husqvarna.hfsmobile&hl=en>.

Producten met geïntegreerde connectiviteit worden aangesloten via de geïntegreerde Husqvarna Fleet Services™-sensor met Bluetooth Low Energy (BLE). Als u meer informatie wilt over het gebruik hiervan, raadpleeg dan *Geïntegreerde connectiviteit gebruiken op pagina 58*. Als u meer informatie wilt over het BLE technology radio spectrum, raadpleeg dan *Geïntegreerde connectiviteit op pagina 65*.

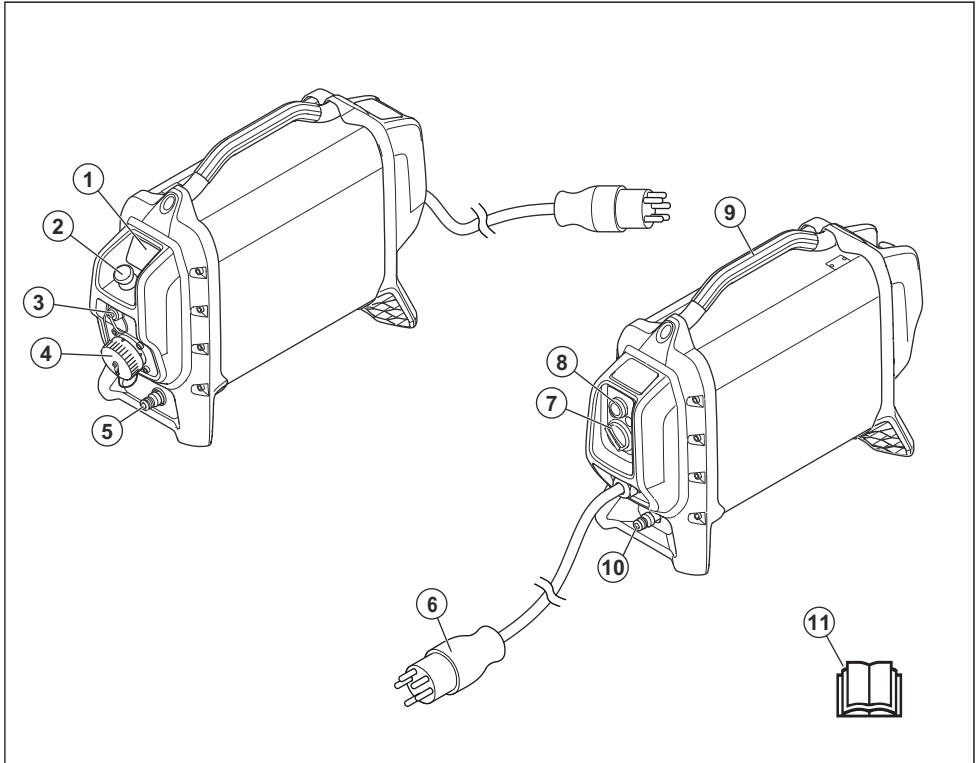
Gebruik

Dit product wordt gebruikt voor elektrisch gereedschap van Husqvarna met een motor met hoge frequentie, bijvoorbeeld doorslijpers en boren. Elk ander gebruik is niet geschikt.

Het product wordt koel gehouden met water. Gebruik het product altijd met watertoevoer.

Dit product is uitsluitend bedoeld voor professioneel gebruik.

Productoverzicht



1. Bedieningspaneel en statusindicator
2. Machinestopknop
3. USB-verbinding, voor onderhoud
4. Uitlaat voor aansluiting van gereedschap
5. Waterconnectoruitlaat
6. Voedingsstekker, verschillende voedingsstekkers voor verschillende markten
7. Resetknop aardlekschakelaar
8. Testknop aardlekschakelaar
9. Transporthandgreep
10. Waterconnectorinlaat
11. Bedieningshandleiding

Symbolen op het product



WAARSCHUWING: Onzorgvuldig of onjuist gebruik kan leiden tot letsel of de dood van de gebruiker of anderen.



Lees de handleiding goed door en zorg dat u de instructies hebt begrepen voordat u het product gebruikt.



Inspectie en/of onderhoud mag alleen worden uitgevoerd bij uitgeschakelde motor en met de stekker uit het stopcontact.



Dit product voldoet aan de geldende EU-richtlijnen.



Het apparaat voldoet aan de geldende Australische en Nieuw-Zeelandse richtlijnen inzake elektromagnetische compatibiliteit.



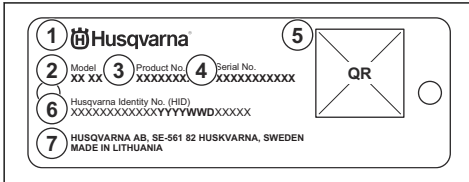
Chinees RoHS-symbool voor milieuvriendelijke gebruikperiode (Environment-Friendly Use Period, EUFP).



Het product of de verpakking ervan is geen huishoudelijk afval. Lever het in bij een recyclepunt voor elektrische en elektronische apparatuur.

Let op: Overige op het product aangebrachte symbolen/ plaatjes verwijzen naar specifieke eisen aan certificering voor bepaalde markten.

Typeplaatje



1. Fabrikant
2. Model
3. Productnummer
4. Serienummer
5. QR-code
6. Husqvarna Identiteitsnummer
7. Adres fabrikant

HID-specificatie

Husqvarna Identiteitsnummer bestaat uit 5 delen en 25 tekens in totaal: [PNC] [Fabriek en assortiment (FFL)] [Datum] [Volgorde#] [Bedieningstekens].

De datum bestaat uit 7 tekens.

- Aanduiding: YYYYWWDD
- JJJJ = jaar
- WW = weeknummer
- D = dagnummer

Productaansprakelijkheid

Zoals uiteengezet in de wet voor productaansprakelijkheid zijn wij niet aansprakelijk voor schade die door ons product wordt veroorzaakt, indien:

- het product niet goed is gerepareerd.
- het product is gerepareerd met onderdelen die niet van de fabrikant afkomstig zijn, of onderdelen die niet zijn goedgekeurd door de fabrikant.
- het product een accessoire bevat dat niet afkomstig is van de fabrikant of niet is goedgekeurd door de fabrikant.
- het product niet is gerepareerd door een erkend servicepunt of door een erkende autoriteit.

Veiligheid

Veiligheidsdefinities

Waarschuwingen, voorzorgsmaatregelen en opmerkingen worden gebruikt om te wijzen op belangrijke delen van de handleiding.



WAARSCHUWING: Wordt gebruikt om te wijzen op de kans op ernstig of fataal letsel voor de gebruiker of omstanders wanneer de instructies in de handleiding niet worden gevolgd.



OPGELET: Wordt gebruikt indien er een risico bestaat op schade aan het product en andere eigendommen of aan de omgeving wanneer de instructies in de handleiding niet worden gevolgd.

Let op: Geven verdere informatie die nodig is in een bepaalde situatie.

Algemene veiligheidswaarschuwingen voor elektrisch gereedschap



WAARSCHUWING: Lees alle veiligheidswaarschuwingen, instructies, illustraties en specificaties die worden meegeleverd met dit elektrisch

gereedschap. Het niet opvolgen van ieder van de onderstaande instructies kan leiden tot elektrische schokken, brand en/of ernstig letsel.

- **Bewaar alle waarschuwingen en instructies voor later gebruik.** De term "elektrisch gereedschap" in de waarschuwingen verwijst zowel naar gereedschappen die op het lichtnet (met snoer) werken als gereedschappen die met een accu (snoerloos) werken.

Veiligheid van het werkgebied

- **Zorg ervoor dat de werkplek schoon en goed verlicht is.** In rommelige of donkere gebieden gebeuren eerder ongelukken.
- **Gebruik elektrisch gereedschap niet in een omgeving waar ontploffingsgevaar bestaat, zoals in de buurt van brandbare vloeistoffen, gassen of stof.** Elektrische apparaten creëren vonken waardoor het stof of de dampen kunnen ontbranden.
- **Houd kinderen en omstanders op afstand wanneer u elektrisch gereedschap gebruikt.** U kunt de controle over het apparaat verliezen als u afgeleid wordt.

Elektrische veiligheid

- **Elektrisch gereedschap moet geschikt zijn voor het betreffende stopcontact. Wijzig nooit de stekker.**

Gebruik nooit een adapterstekker in combinatie met geaarde elektrische gereedschappen. Ongewijzigde stekkers en overeenkomende stopcontacten verkleinen het risico op elektrische schokken.

- **Vermijd lichamelijk contact met geaarde oppervlakken, zoals buizen, radiatoren, fornuizen en koelkasten.** Er is een verhoogd risico op elektrische schokken als uw lichaam geaard is.
- **Stel elektrische gereedschappen niet bloot aan regen of vochtige omstandigheden.** Water dat in elektrisch gereedschap binnendringt, verhoogt het risico op elektrische schokken.
- **Gebruik de kabel niet voor oneigenlijke doeleinden. Gebruik de kabel nooit om het elektrische apparaat te dragen, het mee te slepen of om de stekker uit het stopcontact te trekken. Houd de kabel uit de buurt van warmte, olie, scherpe randen en bewegende onderdelen.** Beschadigde of in de knoop geraakte kabels verhogen het risico op elektrische schokken.
- **Gebruik een verlengkabel die geschikt is voor gebruik buitenshuis wanneer u buiten werkt met elektrisch gereedschap.** Het gebruik van een kabel die geschikt is voor gebruik buitenshuis, vermindert het risico op elektrische schokken.
- **Als gebruik van een elektrisch apparaat in een vochtige omgeving onvermijdelijk is, gebruik dan een netvoeding met reststroombescherming (RCD).** Het gebruik van een aardlekschakelaar vermindert het risico op elektrische schokken.

Persoonlijke veiligheid

- **Wees altijd alert, kijk wat u doet en gebruik uw gezonde verstand wanneer u elektrisch gereedschap gebruikt. Gebruik elektrisch gereedschap niet als u moe bent of onder invloed bent van drugs, alcohol of medicijnen.** Een moment van onoplettendheid tijdens het gebruik van elektrische apparaten kan leiden tot ernstig persoonlijk letsel.
- **Maak altijd gebruik van persoonlijke beschermingsmiddelen. Draag altijd oogbescherming.** Beschermingsmiddelen zoals een stofmasker, veiligheidsschoenen met antislipprofiel, een veiligheidshelm of gehoorbescherming in relevante werkomstandigheden beperken letsel.
- **Voorkom een onbedoelde start. Zorg ervoor dat de schakelaar in de stand Off staat voordat u het gereedschap aansluit op een spanningsbron en/of accupack, oppakt of draagt.** Het dragen van elektrische apparaten met uw vinger op de schakelaar of het onder spanning zetten van elektrische apparaten waarvan de schakelaar op aan staat, kan makkelijk leiden tot ongelukken.
- **Verwijder eventuele (instel) sleutels voordat u het elektrisch gereedschap inschakelt.** Een sleutel die is bevestigd aan een draaiend onderdeel van het elektrische gereedschap kan persoonlijk letsel tot gevolg hebben.
- **Voorkom overstrekken. Zorg dat u te allen tijde stevig en in balans staat.** Hierdoor heeft u een

betere controle over het apparaat in onverwachte situaties.

- **Draag geschikte kleding. Draag geen losse kleding of sieraden. Houd uw haar en kleding uit de buurt van bewegende onderdelen.** Losse kleding, sieraden of lang haar kunnen verstrikt raken in bewegende onderdelen.
- **Als de mogelijkheid bestaat voor het opvangen van stof moet u ervoor zorgen dat deze is aangesloten en op de juiste wijze wordt gebruikt.** Het gebruik van stofopvang kan stofgerelateerde gevaren beperken.
- **Laat de vertrouwdheid met de door u gebruikte apparaten door het frequente gebruik ervan niet toe leiden dat u de veiligheidsprincipes negeert.** Een onzorgvuldige handeling kan binnen een fractie van een seconde leiden tot ernstig letsel.

Gebruik en verzorging van elektrische apparaten

- **Gebruik elektrische gereedschap niet voor taken waarvoor het niet geschikt is. Gebruik het juiste elektrische apparaat voor uw toepassing.** Met het juiste elektrische apparaat kunt u de taak beter en veiliger uitvoeren met de snelheid waarvoor het is ontworpen.
- **Gebruik het elektrisch gereedschap niet als de aan/uitschakelaar niet werkt.** Elektrische apparaten die niet bediend kunnen worden met de schakelaar zijn gevaarlijk en moeten gerepareerd worden.
- **Haal de stekker uit het stopcontact en/of verwijder het accupack (indien verwijderbaar) van het elektrische gereedschap voordat u aanpassingen maakt, accessoires verwisselt of het elektrische gereedschap opbergt.** Deze voorzorgsmaatregelen verkleinen het risico op het per ongeluk starten van het elektrische apparaat.
- **Berg elektrisch gereedschap dat u niet nodig hebt op buiten het bereik van kinderen en laat personen die onbekend zijn met het elektrisch gereedschap of deze instructies niet werken met het elektrisch gereedschap.** Elektrische apparaten zijn gevaarlijk in handen van ongetrainde gebruikers.
- **Zorg voor een deugdelijk onderhoud van elektrische gereedschappen en accessoires. Controleer op onjuiste montage of vastlopen van bewegende delen, gebroken onderdelen en andere condities die de werking van het elektrische gereedschap kunnen beïnvloeden. Als het elektrische apparaat beschadigd is, moet u het laten repareren voordat u het gebruikt.** Veel ongelukken worden veroorzaakt door slecht onderhouden elektrische apparaten.
- **Houd snijgereedschappen scherp en schoon.** Goed onderhouden snijgereedschappen met scherpe snijranden zullen minder gauw vastlopen en zijn eenvoudiger onder controle te houden.
- **Gebruik het elektrisch gereedschap, de accessoires, gereedschapsbits en dergelijke in overeenstemming met deze instructies en houd hierbij rekening met de werkomstandigheden en het type klus dat moet**

worden uitgevoerd. Als u het elektrische apparaat voor andere toepassingen gebruikt dan waarvoor het is bedoeld, kan er een gevaarlijke situatie ontstaan.

- **Houd de handgrepen en grijpoppervlakken droog, schoon en vrij van olie en vet.** Als handgrepen en grijpoppervlakken glad zijn, kan dit ervoor zorgen dat het gereedschap in onverwachte situaties niet veilig kan worden gehanteerd en bediend.

Service

- **Laat uw elektrische apparaat repareren door een gekwalificeerde monteur en gebruik uitsluitend identieke vervangingsonderdelen.** Dit zorgt ervoor dat de veiligheid van het elektrisch gereedschap wordt gehandhaafd.

Algemene veiligheidsinstructies



WAARSCHUWING: Lees de volgende waarschuwingen voordat u het product gaat gebruiken.

- Dit product kan bij onvoorzichtig of onjuist gebruik een gevaarlijk gereedschap zijn. Dit product kan ernstig of fataal letsel toebrengen aan de gebruiker of anderen. Het is erg belangrijk dat u deze gebruiksaanwijzing leest en begrijpt voordat u dit product gaat gebruiken.
- Bewaar alle waarschuwingen en instructies.
- U dient alle toepasselijke wet- en regelgeving in acht te nemen.
- De gebruiker en de werkgever van de gebruiker dienen op te hoogte te zijn van de risico's tijdens het gebruik van het product en moeten deze voorkomen.
- Zorg ervoor dat dit product alleen wordt gebruikt door personen die de inhoud van de gebruikershandleiding hebben gelezen en begrepen.
- Gebruik het product alleen als u voorafgaand aan gebruik training hebt ontvangen. Zorg ervoor dat alle gebruikers getraind worden.
- Laat het product niet door een kind bedienen.
- Het product mag alleen worden gebruikt door goedgekeurde personen.
- De gebruiker is verantwoordelijk indien ongelukken gebeuren met andere mensen of hun eigendommen.
- Gebruik het product nooit als u moe of ziek bent, of onder invloed van alcohol, drugs of medicijnen verkeert.
- Wees altijd voorzichtig en gebruik uw gezond verstand.
- Dit product produceert tijdens bedrijf een elektromagnetisch veld. Dit veld kan onder bepaalde omstandigheden de werking van actieve of passieve medische implantaten verstoren. Om het risico op ernstig of fataal letsel te verminderen, raden we personen met een medisch implantaat aan om contact op te nemen met hun arts en de fabrikant van het medische implantaat voordat ze dit product gebruiken.

- Houd het product schoon. Zorg ervoor dat u de aanduidingen en stickers duidelijk kunt lezen.
- Gebruik het product niet als het defect is.
- Breng geen wijzigingen aan dit product aan.
- Gebruik het product niet als de mogelijkheid bestaat dat andere personen wijzigingen aan het product hebben aangebracht.

Veiligheidsinstructies voor bediening



WAARSCHUWING: Lees de volgende waarschuwingen voordat u het product gaat gebruiken.

- Lees de bedieningshandleiding voor het aangesloten elektrisch gereedschap zorgvuldig door. Zorg ervoor dat u de instructies begrijpt.
- Er is altijd kans op schokken van elektrische producten. Gebruik het product niet bij slecht weer. Voorkom aanraken van bliksemafleiders en metalen voorwerpen. Volg altijd de instructies in de bedieningshandleiding om beschadiging te voorkomen.
- Sluit het product alleen aan op gearde stopcontacten.
- Controleer of de spanning van het elektriciteitsnet overeenkomt met de spanning die wordt aangegeven op het typeplaatje van het product.
- Controleer of de voedingskabel en de verlengkabel onbeschadigd en in goede staat zijn.
- Gebruik het product niet als het product of de voedingskabel is beschadigd. Laat onderhoud aan het product of het vervangen van de onderhoudskabel uitvoeren door een erkende servicewerkplaats.
- Gebruik geen opgerolde verlengkabel. De kabel kan oververhit raken.
- Laat kinderen het product niet gebruiken.
- Blijf in de buurt van het product wanneer de motor is ingeschakeld.
- Schakel bij langere werkonderbrekingen altijd de stroomtoevoer naar het product uit.
- Gebruik het product alleen als u weet dat u hulp kunt krijgen indien zich een ongeval voordoet.
- Zorg ervoor dat het product op een stabiele ondergrond blijft.
- Haal altijd de stekker uit het stopcontact voordat u het product verplaatst.
- Koppel het netsnoer alleen los als de motor uitgeschakeld en volledig stopgezet is.
- Houd altijd brandblusapparatuur bij de hand.

Persoonlijke beschermingsuitrusting



WAARSCHUWING: Lees de volgende waarschuwingen voordat u het product gaat gebruiken.

- Draag tijdens het gebruik van het product altijd goedgekeurde persoonlijke beschermingsuitrusting. Persoonlijke beschermingsuitrusting kunnen niet alle risico's uitsluiten maar kunnen de ernst van eventueel letsel helpen beperken. Vraag uw dealer u te helpen bij het kiezen van de juiste beschermingsuitrusting.
- Controleer regelmatig de toestand van uw persoonlijke beschermingsmiddelen.
- Draag een goedgekeurde veiligheidshelm.
- Gebruik goedgekeurde gehoorbescherming.
- Gebruik goedgekeurde ademhalingsbescherming.
- Gebruik goedgekeurde oogbescherming met zijbescherming.
- Draag veiligheidshandschoenen.
- Gebruik laarzen met stalen neus en antislipzool.
- Gebruik goedgekeurde werkkleding of gelijkwaardige nauwsluitende kleding met lange mouwen en lange broekspijpen.

Veiligheidsvoorzieningen op het product



WAARSCHUWING: Lees de volgende waarschuwingen voordat u het product gaat gebruiken.

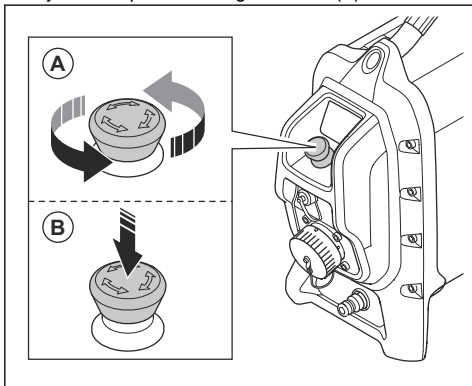
- Gebruik het product nooit wanneer de veiligheidsvoorzieningen defect zijn.
- Controleer de veiligheidsvoorzieningen regelmatig op een juiste werking. Als de veiligheidsvoorzieningen defect zijn, neem dan contact op met uw Husqvarna servicewerkplaats.

Machinestopknop

Met de machinestopknop op de krachtbron wordt het elektrisch gereedschap losgekoppeld van de voeding. Deze verlaagt ook de snelheid van het aangesloten elektrisch gereedschap.

De machinestopknop controleren

1. Draai aan de machinestopknop om er zeker van te zijn dat het product is uitgeschakeld (A).



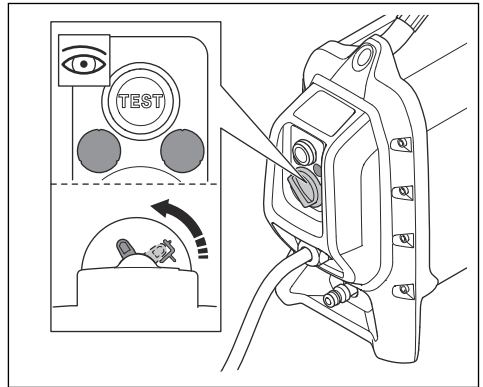
2. Start het aangesloten elektrisch gereedschap.
3. Druk op de machinestopknop en controleer of het elektrisch gereedschap stopt.

RCD

Het product heeft een geïntegreerde aardlekschakelaar (RCD). De RCD dient ter bescherming van de gebruiker en wordt ingeschakeld als zich een elektrische storing voordoet.

3 fasen van de RCD controleren

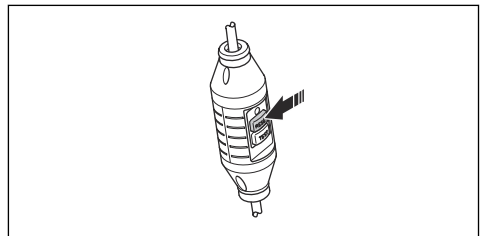
1. Start het product, zie *Product starten op pagina 59*.
2. Kijk in de inspectiegaten en druk op de testknop van de RCD.



3. Controleer of de RCD beweegt en het product wordt losgekoppeld van de voeding.
4. Draai aan de resetknop van de RCD om de RCD te resetten.

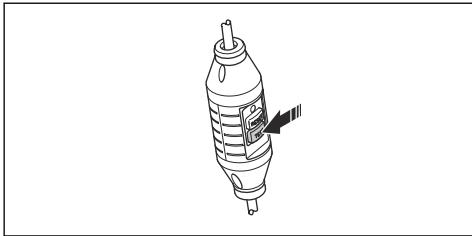
1 fase van de RCD controleren

1. Bevestig het product op de aansluiting. Gebruik de correcte adapter. Zie *Adapters op pagina 67*.
2. Druk op de RESET-knop (groen); de rode LED gaat branden.



3. Start het product.

4. Druk op de TEST-knop (blauw).



5. De RDC moet worden ingeschakeld en het product dient onmiddellijk te stoppen. Als dit niet het geval is, neem dan contact op met uw Husqvarna dealer.
6. Druk op de RESET-knop (groen).

Veiligheidsinstructies voor onderhoud



WAARSCHUWING: Lees de volgende waarschuwingen voordat u onderhoud aan het product gaat uitvoeren.

Werking

Inleiding



WAARSCHUWING: Voordat u het product gaat gebruiken, dient u het hoofdstuk over veiligheid te lezen en hebben begrepen.

Voordat u het product gaat bedienen

1. Lees de gebruikershandleiding zorgvuldig door en zorg dat u de instructies hebt begrepen.
2. Voer dagelijks onderhoud uit. Zie *Dagelijks onderhoud op pagina 60*.
3. Zorg ervoor dat er zich alleen goedgekeurde personen in het werkgebied bevinden, anders bestaat er kans op ernstig letsel.
4. Maak altijd gebruik van persoonlijke beschermingsmiddelen. Zie *Persoonlijke beschermingsuitrusting op pagina 56*.

Geïntegreerde connectiviteit gebruiken

Let op: Radiotransmissie door Bluetooth® wordt ingeschakeld wanneer het product voor het eerst wordt aangesloten op het stopcontact en blijft daarna ingeschakeld.

1. Download de iOS- of Android-app Husqvarna Fleet Services.
2. Zie <https://fleetservices.husqvarna.com> voor meer informatie.

- Als zonder goedkeuring veranderingen worden aangebracht of niet-goedgekeurde accessoires worden gebruikt, kan dit leiden tot ernstig of fataal letsel aan de gebruiker of anderen.
- Alleen Husqvarna servicepunten mogen de behuizing openen en onderhoud aan het product uitvoeren.
- Voer het dagelijks onderhoud uit om verzekerd te zijn van een goede werking. Zie *Onderhoud op pagina 60*.
- Voer de inspectie en/of het onderhoud uit terwijl de motor is gestopt en de stekker is verwijderd.
- Reinig het product met water. Gebruik hiervoor geen hogedrukreiniger. Richt de waterstraal niet op elektronische componenten of lagers.
- Laat alleen een erkend servicebedrijf onderhoud aan het product uitvoeren. Gebruik alleen vervangingsonderdelen van Husqvarna of gelijkwaardige vervangingsonderdelen.

Het product op een stroombron aansluiten

1. Plaats het product op een stabiele en droge ondergrond op de werkplek.
2. Sluit het product aan op een geaard stopcontact met continue spanning en raadpleeg *Technische gegevens op pagina 65*. Controleer of de netspanning overeenkomt met de spanning die is aangegeven op het typeplaatje op het product.
3. Gebruik een adapter als de voedingsbron 1-fasig is. Zie *Adapters op pagina 67*.

De watertoevoer aansluiten



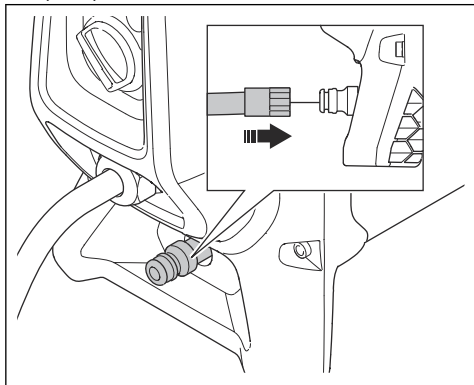
OPGELET: Gebruik alleen schoon water om te voorkomen dat vuil een verstopping in het watersysteem veroorzaakt.



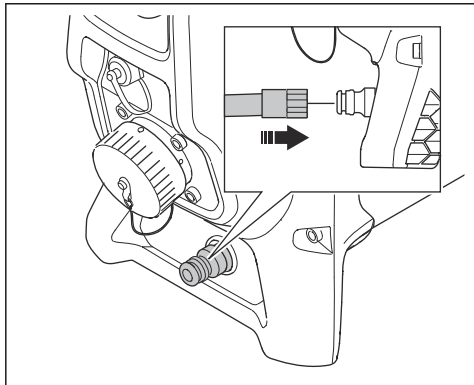
OPGELET: Gebruik perslucht om water uit het product af te tappen nadat u klaar bent met het werk. Het water kan bevroren en schade aan het product veroorzaken.

Let op: De waterkoelvloeistof stopt niet tijdens een stroomstoring.

1. Sluit de waterslang aan op de waterconnectorinlaat op het product.



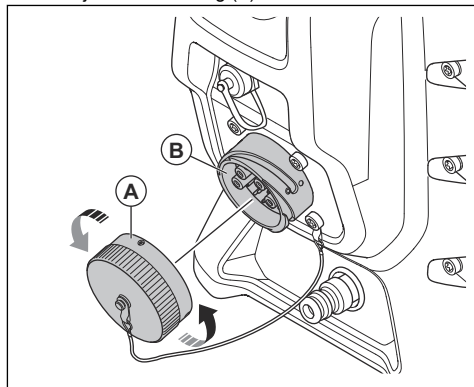
2. Sluit de wateruitlaatconnector op het product aan op het elektrisch gereedschap.



3. Raadpleeg de bedieningshandleiding van het elektrisch gereedschap voor het afstellen van de koelvloeistofstroom naar het elektrisch gereedschap.
4. Pas de waterdruk aan bij de waterbron.

Elektrisch gereedschap aansluiten op het product

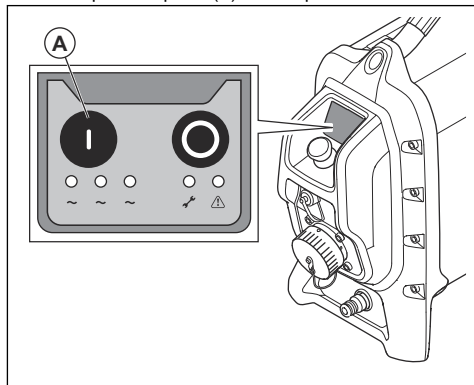
1. Verwijder de afdekking (A).



2. Sluit het elektrisch gereedschap aan op de uitlaat voor aansluiting (B) van het gereedschap. Gebruik indien nodig een adapter. Neem voor meer informatie contact op met uw Husqvarna servicedealer.

Product starten

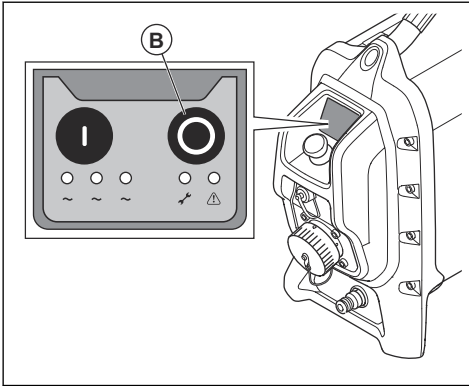
1. Controleer of de machinestopknop is uitgeschakeld. Zie *De machinestopknop controleren op pagina 57*.
2. Druk op de knop ON (A) om het product te starten.



Product stoppen

1. Stop het aangesloten elektrisch gereedschap. Raadpleeg de bedieningshandleiding van het elektrisch gereedschap.

2. Druk op de knop OFF (B) om het product te stoppen.



1. Faselamp (groen)
2. Faselamp (groen)
3. Faselamp (groen)
4. Service-indicator (geel)
5. Waarschuwinglampje (rood)

Raadpleeg *Uitleg van de statusindicatielampjes op pagina 61* voor meer informatie over de statusindicatielampjes.

Waarschuwinglampje

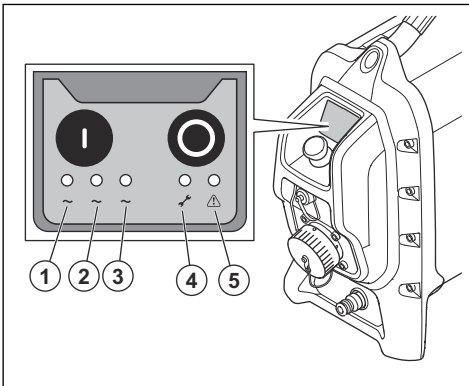


OPGELET: Blijf het product niet gebruiken wanneer het waarschuwinglampje brandt. Risico op beschadiging van het product.

Stop het product als het waarschuwinglampje (rood lampje) gaat branden. Zie *Uitleg van de statusindicatielampjes op pagina 61*.

Statusindicatielampjes

Als het product aangesloten is, gaan de lampjes 1-5 enkele seconden branden.



Onderhoud

Inleiding



WAARSCHUWING: Zorg dat u het hoofdstuk over veiligheid hebt gelezen en begrepen voordat u onderhoud aan het product gaat uitvoeren.

Dagelijks onderhoud



WAARSCHUWING: Haal de stekker van het product uit het stopcontact en wacht minimaal 5 minuten voordat u onderhoud uitvoert.



OPGELET: Reinig het product niet met een hogedrukspray. De hoge druk kan schade aan de afdichtingen veroorzaken en ertoe leiden dat water en vuil in het product terechtkomen.

- Controleer de veiligheidsuitrusting. Controleer of deze niet is beschadigd. Zie *Veiligheidsvoorzieningen op het product op pagina 57*.
- Controleer of de voedingskabel en de verlengkabel in goede staat verkeren en niet beschadigd zijn.
- Controleer of de waterslang en waterkoppelingen in goede staat verkeren en niet beschadigd zijn.
- Reinig het product altijd aan het einde van de werkdag. Gebruik een stevige handborstel of een grote verfkwas.

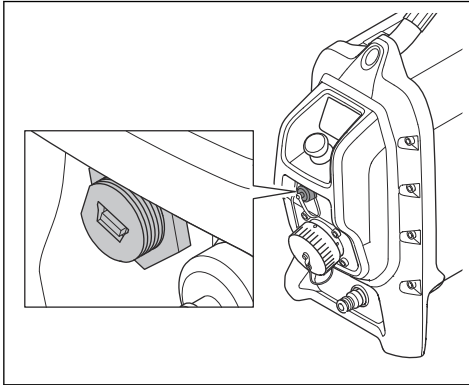
- Houd de connectoren en pennen schoon. Reinig met een doek of borstel.
- Controleer of het watersysteem niet beschadigd is.

USB-aansluiting

Het product heeft een USB-aansluiting.

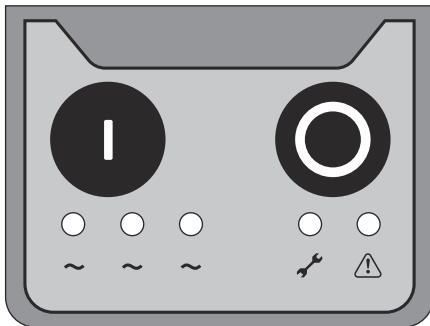


OPGELET: De USB-aansluiting mag alleen worden gebruikt door een erkend servicebedrijf van het merk.



Probleemoplossing

Uitleg van de statusindicatielampjes



De statusindicatielampjes helpen u bij het oplossen van problemen.



Het lampje brandt.



Het lampje brandt niet.



Het lampje knippert snel.



Het lampje knippert langzaam.


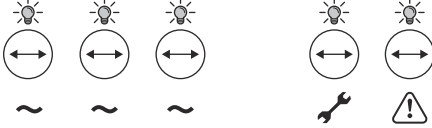
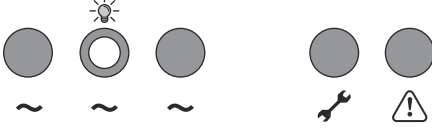
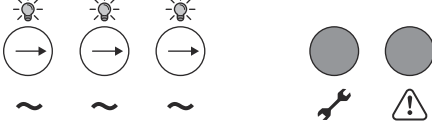
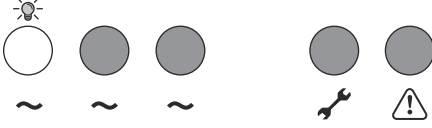
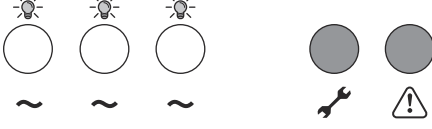
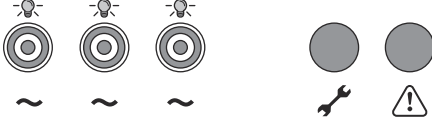


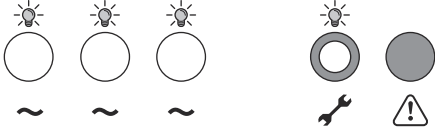
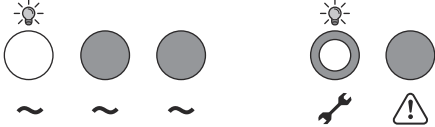
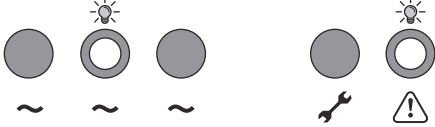
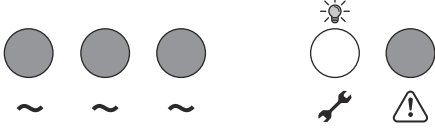
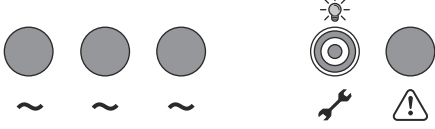
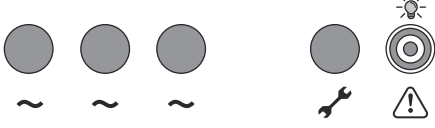
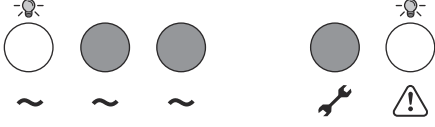
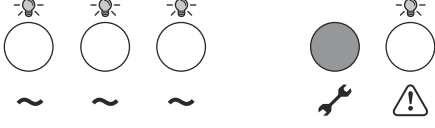
Het lampje gaat van de linkerzijde naar de rechterzijde en vervolgens weer naar de linkerzijde.

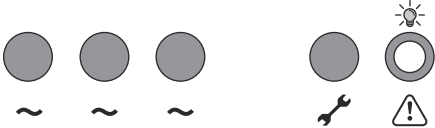


Het lampje gaat van de linkerzijde naar de rechterzijde.

Productdisplay

Bedieningspaneel	Status	Stap
	Er is geen voeding.	Controleer de voeding.
	Functietest van led bij aansluiting van voeding. (< 3 s)	Controleer de machinestopknop. Zie <i>De machinestopknop controleren op pagina 57.</i>
	Het product staat in stand-bymodus.	NVT
	Faseselectievolgorde aan het begin. (< 3 s)	Als >3 s, controleer dan de zekeringen en de spanning.
	Het product is ingeschakeld en aangesloten op 1-fase.	NVT
	Het product is ingeschakeld en aangesloten op 3-fase.	NVT
	Stroomstoring.	Controleer de zekeringen en generator.

Bedieningspaneel	Status	Stap
	Het gereedschap is onbekend.	Neem contact op met een servicewerkplaats van Husqvarna.
	Het gereedschap is onbekend.	Neem contact op met een servicewerkplaats van Husqvarna.
	De noodstopknop van de machine is ingedrukt. Het product staat in de slaapstand.	Reset het product. Controleer of de stopknop wordt losgelaten.
	Onjuiste situatie.	<ol style="list-style-type: none"> 1. Start het product opnieuw op 2. Neem contact op met een Husqvarna servicewerkplaats als het product niet start.
	Massastoring. There is a hardware fault. Er is een storing in het aangesloten gereedschap.	<ol style="list-style-type: none"> 1. Verwissel het gereedschap en start het apparaat opnieuw op 2. Neem contact op met een Husqvarna servicewerkplaats als het product niet start.
	Geen stroom omdat het product te heet is.	Laat het product en het aangesloten elektrische gereedschap afkoelen.
	Waarschuwing: Het product kan te heet zijn (1-fasig).	Controleer het koelwater. Verminder de belasting.
	Waarschuwing: Het product kan te heet zijn (3-fasig).	Controleer het koelwater. Verminder de belasting.

Bedieningspaneel	Status	Stap
	<p>Er is een storing in het aangesloten gereedschap.</p>	<p>Controleer het aangesloten gereedschap.</p>

Transport en opslag

Transport van het product

- Zet het product tijdens transport veilig vast om transportschade en ongevallen te voorkomen.
- Schakel het product altijd uit en koppel altijd de voedingskabel los voordat u het product verplaatst.
- Koppel vóór transport het elektrisch gereedschap en het netsnoer van het elektrisch gereedschap altijd los.

Het product opslaan

- Bewaar het product in een afgesloten ruimte om toegang door kinderen of onbevoegde personen te verhinderen.
- Bewaar het product in een droge ruimte.
- Zorg ervoor dat de temperatuur niet lager is dan -25 °C en niet hoger dan 50 °C.

Technische gegevens

Technische gegevens

Krachtbron	
Max. vermogen, kW	6,5
Nominale stroom 3-fase, A	15
Nominale stroom 1-fase, A	15
3-fasespanning, V	200-480, 50/60 Hz
1-fasespanning, V	120-240, 50/60 Hz
Voeding	
3-fase	L1+L2+L3+PE
1-fase	L+N+PE
Waterkoelvloeistof (van aangesloten gereedschap)	
Druk, bar	7
Watertemperatuur, aanbevolen, C	<25
Gewicht	
Krachtbron, kg	18

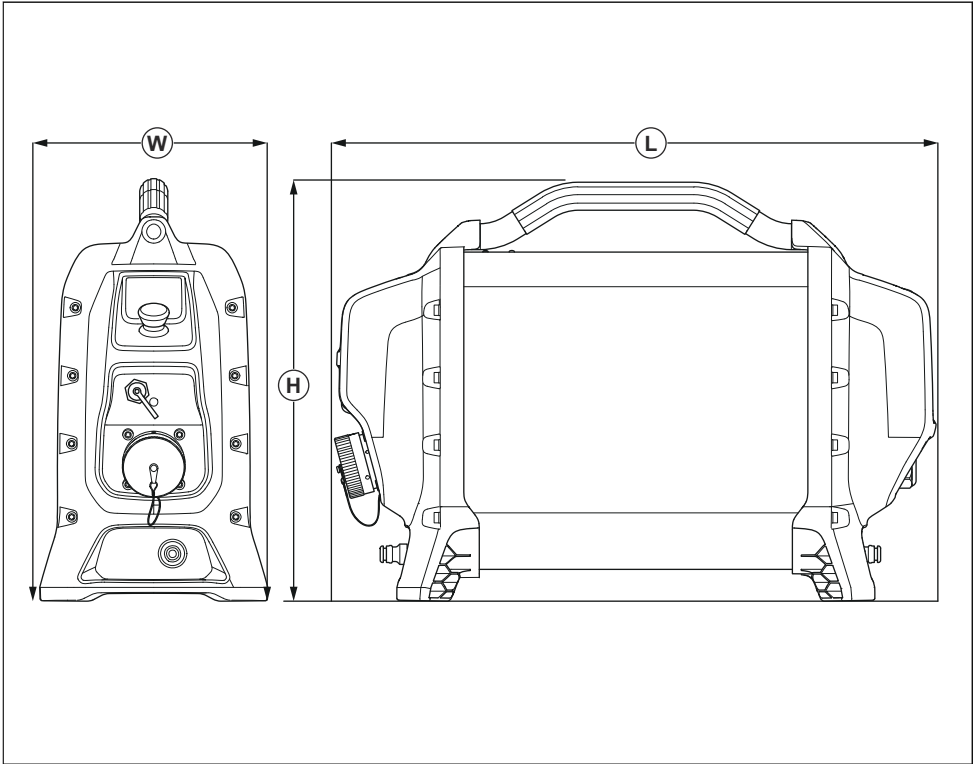
Geïntegreerde connectiviteit

Radiospectrum BLE-technologie	
Frequentiebanden voor het gereedschap, GHz	2,402 - 2,480
Maximaal overgebracht radiofrequentievermogen, dBm	4 / 2,5

Typische voorbeelden van generatorwerking

1-fase/3-fase	PP 70, uitgang	Generatoruitgang, V	Minimaal aanbevolen generatorvermogen, kVa
3-fase	Vol vermogen	3x380, 3x416, 3x440, 3x480	10
	Verminderd vermogen	3x208, 3x220, 3x240	10
1-fase	Verminderd vermogen	220-240	5

Productafmetingen



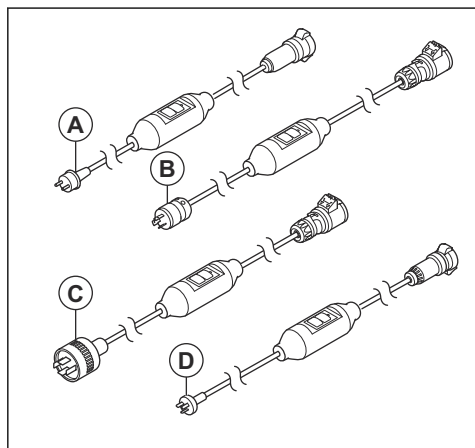
Afmetingen, mm

W	183	H	410	L	570
----------	-----	----------	-----	----------	-----

Accessoires

Adapters

Er zijn verschillende 1-fase-adapters voor verschillende markten:



- Adapter voor EU (A).
- Adapter voor VS (B).
- Adapter voor JP (C).
- Adapter voor AU (D).

Er zijn verschillende adapters voor de aansluiting van het gereedschap. Neem voor meer informatie contact op met uw Husqvarna-dealer.

Service

Inleiding



WAARSCHUWING: Alleen goedgekeurde servicecentra mogen reparaties aan het product uitvoeren. Dit is te voorkomen dat zich ongelukken voordoen.

Goedgekeurd servicecentrum

Ga naar de website www.husqvarnacp.com om het dichtstbijzijnde erkende servicecentrum van Husqvarna Construction Products te vinden.

EG verklaring van overeenstemming

EG verklaring van overeenstemming

HCP-PP70-1

Wij, **Husqvarna AB**, SE-561 82 Huskvarna, ZWEDEN,
tel.: +46-36-146500, verklaren onder onze
alleenverantwoordelijkheid dat het product:

Beschrijving	Krachtbron
Merk	Husqvarna
Type/model	PP 70
Identificatie	Serienummers vanaf 2019 en verder

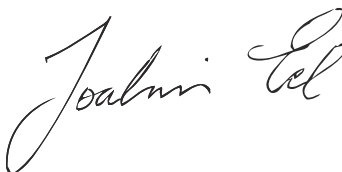
volledig voldoet aan de volgende EU-richtlijnen en -
regelgeving:

Richtlijn/Verordening	Beschrijving
2014/53/EU	"betreffende radioapparatuur"
2011/65/EU	"betreffende beperking van gevaarlijke stoffen"

en dat de volgende geharmoniseerde normen en/of
technische specificaties zijn toegepast:

- EN ISO 12100:2010
- EN 55014-1:2017
- EN 55014-2:2015
- EN 61000-3-2:2014
- EN 61000-3-3:2013
- EN 62841-1:2014
- ETSI EN 300 328 V2.1.1
- ETSI EN 301 489-1 V2.2.0
- ETSI EN 301 489-17 V3.2.0

Partille, 2019-11-26



Joakim Ed

Vice President

Concrete Sawing, Drilling & Light Demolition

Husqvarna AB, Construction-divisie

Verantwoordelijk voor technische documentatie

Geregistreerde handelsmerken

Het *Bluetooth*[®]-woordmerk en de logo's zijn
geregistreerde handelsmerken die eigendom zijn van
Bluetooth SIG, inc. en het gebruik van deze merken
door Husqvarna vindt plaats onder licentie.



www.husqvarnacp.com

Original instructions
Originalanweisungen
Instructions d'origine
Originele instructies

1140558-20



2020-05-26