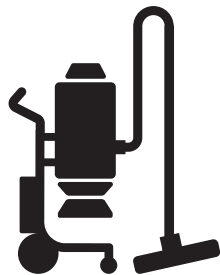


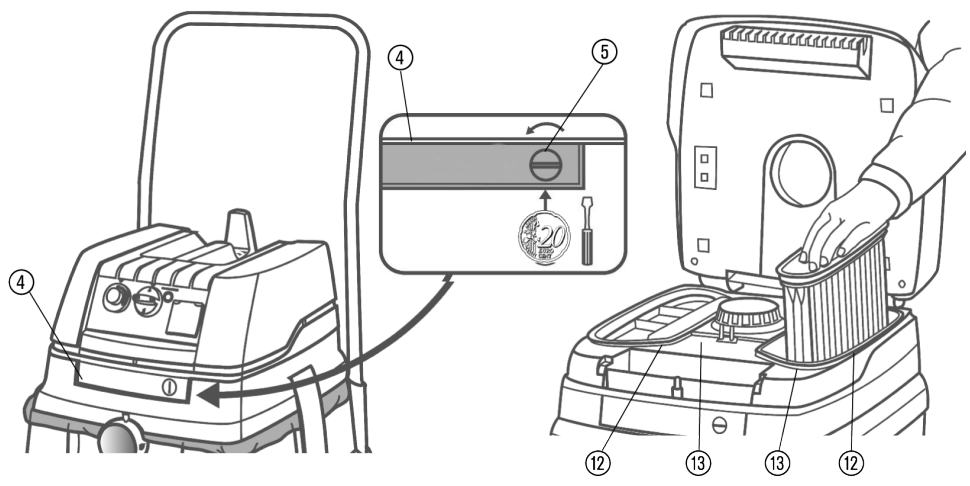
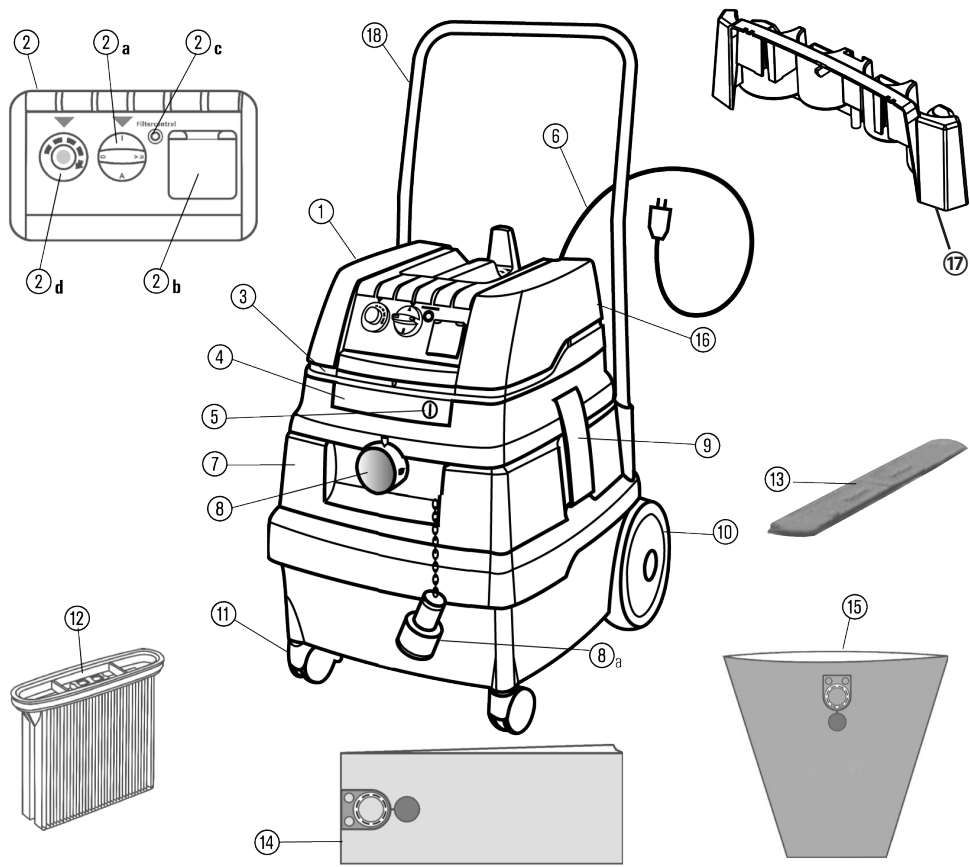


# Husqvarna®



S 11





EN	Operating instructions	4-13
FR	Notice d'utilisation	14-23
ES	Instrucciones para el manejo	24-33



EN Description			
① Top section	③ Cooling air inlet	ⓐ Sealing plug with chain	Ⓦ Fleece filter bag
② Functional plate	④ Latch	ⓑ Snap-in locks	Ⓧ Plastic emptying bag
ⓐ Rotary switch	⑤ Lock	ⓒ Wheels	Ⓨ Suspension for wire basket
ⓑ Power socket for electric tools	⑥ Connecting line	ⓓ Steering castors	Ⓩ Accessories box *
ⓒ Volume flow display (Fill level indicator)	⑦ Container	ⓔ Filter cassettes	ⓐ Driving handle *
ⓓ Speed control	⑧ Suction opening	ⓕ Motor protection filter	* dependig on model
F Description			
① Partie supérieure	③ Entrée air de refroidissement	ⓐ Bouchons de fermeture à chaîne	Ⓦ Sac filtre non tissé
② Plaque de fonctionnement	④ Verrou	ⓑ Fermeture à crans	Ⓧ Sac de vidange en plastique
ⓐ Interrupteur rotatif	⑤ Fermeture	ⓒ Roues	Ⓨ Suspension pour le panier en fil métallique
ⓑ Prise de courant pur outil électrique	⑥ Conduite de raccordement	ⓓ Roues-guides	Ⓩ Porte-accessoires *
ⓒ Affichage du débit volumétrique (Indicateur de niveau de remplissage)	⑦ Cuve	ⓔ Cassettes filtre	ⓐ Etrier de conduite *
ⓓ Régulation du nombre de tours	⑧ Overture d'aspiration	ⓕ Filtre de protection du moteur	* selon la variante d'équipement
E Descripción			
① Parte superior	③ Entrada de aire frío	ⓐ Tapón de cierre con cadena	Ⓦ Bolsa de filtro de fieltro
② Disco de funciones	④ Enclavamiento	ⓑ Cierre a presión	Ⓧ Bolsa desechable de plástico
ⓐ Conmutador giratorio	⑤ Cierre	ⓒ Ruedas	Ⓨ Gancho para cesta de alambre
ⓑ Toma de corriente para herramientas eléctricas	⑥ Cable de alimentación	ⓓ Redecillas de dirección	Ⓩ Soporte para accesorios *
ⓒ Indicador de flujo (Indicador de recipiente lleno)	⑦ Recipiente	ⓔ Estuche de filtro	ⓐ Barra de transporte *
ⓓ Regulacion de velocidad	⑧ Abertura de spiración	ⓕ Filtro de protección del motor	* dependiendo del modelo

# English

## 1 Explanation of symbols and signs used

Symbol / Signal word	Description
	This is the warning symbol. It warns against possible risk of injury. Follow all instructions which are marked with this sign to avoid injury or death. The warning symbol always appears in association with the signal words <b>DANGER</b> , <b>WARNING</b> and <b>CAUTION</b> .
<b>DANGER!</b>	Identifies a hazard with a high degree of risk which will cause death or serious injury if not avoided.
<b>WARNING!</b>	Identifies a hazard with a medium degree of risk which could cause death or serious injury if not avoided.
<b>CAUTION!</b>	Identifies a hazard with a low degree of risk which could cause minor or moderate injury if not avoided.
<b>NOTE</b>	Identifies advice or instructions to simplify work and to ensure safe operation.
	Identifies a requirement which needs to be met before an action is taken.
	Identifies steps to be taken one after the other by the user.
	Identifies the results of an action.

## 2 Important safety information

### **WARNING!**

- ▶ Danger of suffocation! Do not allow children to play with packaging material, e.g. plastic bags.
- ▶ Do not climb onto or sit on the vacuum cleaner.
- ▶ Risk of falling when working on stairs. Pay attention to standing safely.
- ▶ Do not pull the mains connection cable and suction hose over sharp edges, do not bend it or clamp it.
- ▶ The mains connection cable and suction hose always must be routed in such a way that no one can trip over it.
- ▶ If any foam or liquid is discharged, immediately switch off the vacuum cleaner.
- ▶ Always keep the inside of the lid dry.
- ▶ Do not use the vacuum cleaner including accessories in the following cases:
  - Mains connection cable or extension cable is defective or showing cracks
  - There is visible damage to the vacuum cleaner, e.g. cracks in the housing
  - If you suspect an invisible defect, e.g. after a fall

### **DANGER!**

- ▶ Risk of explosion and fire! Do not run the vacuum cleaner in a potentially explosive environment.
- ▶ Keep away the vacuum cleaner from flammable gases and substances.

### **DANGER!**

- ▶ Risk of explosion and fire! Do not use the vacuum cleaner to vacuum up the following:
  - flammable or explosive solvents
  - materials soaked in solvents
  - potentially explosive dusts
  - liquids such as petrol, oil, alcohol, diluents
  - materials hotter than 60 °C

**⚠ WARNING!**

- ▶ Improperly repaired devices pose a hazard for the user. Only have repairs carried out by experts, e.g. the customer service. Only use original accessories and spare parts.

**⚠ WARNING!**

- ▶ Only use the socket on the vacuum cleaner for the purposes specified in the operating instructions.
- ▶ In case of any inappropriate usage, improper operation or repair, the producer shall be exempt from liability.
- ▶ Do not use damaged extension cables.
- ▶ If the mains connection cable of the vacuum cleaner is damaged, it must be replaced by a special mains connection cable, which is available from the manufacturer or its customer service.
- ▶ Never allow electrical brushes to come into contact with the mains connection cable.
- ▶ The voltage on the rating plate must match the mains voltage.
- ▶ Switch off the vacuum cleaner and disconnect the mains plug after use and before maintenance.
- ▶ When unplugging, only pull on the mains plug and not on the mains connection cable.
- ▶ Never touch the mains plug with wet hands.
- ▶ Only connect the vacuum cleaner to a sufficiently protected electric socket.
- ▶ Do not open the vacuum cleaner outdoors in the rain or during a thunderstorm.
- ▶ Store the vacuum cleaner dry and indoors, protected from frost.

**⚠ WARNING!**

- ▶ Dust-removing machines are tested according to DIN EN 60335-2-69 and divided into dust classes.
- ▶ Vacuum cleaners for dust class **L** are suitable for vacuuming/sucking up dry, non-flammable dusts that are hazardous to health with workplace exposure limits (OEL) > 1 mg/m<sup>3</sup>.
- ▶ Vacuum cleaners for dust class **M** are suitable for vacuuming/sucking up dry, non-flammable dusts, non-flammable liquids, wood dusts and hazardous dusts with workplace exposure limits  $\geq 0.1$  mg/m<sup>3</sup>.
- ▶ Vacuum cleaners for dust class **H** are suitable for vacuuming/sucking up dry, non-flammable dusts, carcinogenic and pathogenic particles as well as non-flammable liquids, wood dusts and toxic dusts with all workplace exposure limits.

**⚠ WARNING!**

- ▶ Vacuum cleaners for dust class **H-asbestos** are suitable for vacuuming and extracting dust containing asbestos. Observe national regulations for operation and maintenance of asbestos removal tools.

**⚠ WARNING!**

- ▶ The machine may not be used by persons (including children) who have reduced physical, sensory or mental capabilities or who are inexperienced or lack the knowledge of how to use the machine.
- ▶ Children must be supervised to ensure that they do not play with the device.
- ▶ Do not point nozzle, tube or hose at people or animals.

**⚠ WARNING!**

- ▶ Only use the brushes supplied with the vacuum cleaner or those specified in the operating instructions.
- ▶ Using other brushes can compromise safety.
- ▶ When being used in food processing businesses: Immediately clean the vacuum cleaner after use and disinfect it to avoid microbial contamination.
- ▶ Do not use any steam jets or high-pressure cleaners for cleaning.
- ▶ Only operate the vacuum cleaner under supervision.
- ▶ Disconnect the vacuum cleaner from the mains in the event of a longer work interruption.
- ▶ Do not clean filter cartridges using compressed air.

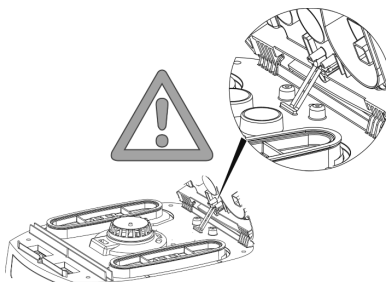
Read the operating manual carefully before starting to use the vacuum cleaner. The operating manual provides important instructions for safety, commissioning, operation, maintenance and care. Keep the operating manual in a safe place and, in case you sell the unit, hand it on to the next owner.

The manufacturer reserves the right to carry out modifications to the design and equipment.


Do not perform any other work than described in this manual.

This machine is intended for commercial use, for example, in hotels, schools, hospitals, factories, shops, offices and in the rental business.

When unpacking, check for completeness and transport damage. Before use, the operators should be provided with information, instructions and training for the use of the vacuum cleaner and the substances that it is to be used for, including the safe procedure for the removal of the gathered material.



### 3 Display and control elements

Switch position	Function	Description
0	Vacuum cleaner is switched off	- Plug socket under voltage
I	Vacuum cleaner is running	- Plug socket under voltage - Automatic filter cleaning function off
A	Standby mode for ON/OFF automatic mode	- Plug socket under voltage - The vacuum cleaner is switched on and off via the connected electrical/ compressed air tool* at the plug socket
RA	Standby mode for ON/OFF automatic mode	- Standby mode like >A< plus automatic filter cleaning
	Automatic filter cleaning function	- Filter cleaning is performed automatically during the next working break when the minimum volume flow level is reached (switch setting RA)
	Fill level indicator *	- When the container is full and/or there is a blockage in the suction hose, the full indicator lights up. On the M and H vacuum cleaners, an acoustic signal is also emitted
	Setting the suction hose diameter *	- On M-/H-/H-asbestos vacuum cleaners for volume flow monitoring, to trigger an audible warning signal if the air speed falls below 20 m/s

## 4 Commissioning

### 4.1 Before every use

Make sure that the following conditions are met:

Vacuum cleaner, mains cable, suction hose and accessories are not damaged.

All filters have been inserted and are not damaged.

### 4.2 Switching on and off

The plug socket on the vacuum cleaner remains always under voltage, regardless of the main switch position.

#### ⚠ WARNING!

Danger of injury by automatically starting power tool!

- ▷ Switch off power tool or pneumatic tool before connecting to the vacuum cleaner.

#### NOTE

With switch in position >0<, the plug socket on the vacuum cleaner can be used as an extension cable.

⚠ **Power consumption:** vacuum cleaner + connected power tool (max. 2000 W) max. 16 A.

### 4.2.2 Switching on the vacuum cleaner

Functions see „3 Display and control elements“ auf Seite 6.

- ▷ Insert plug into plug socket.
- ▷ Set switch to position >I<.
  - ↳ Vacuum cleaner starts immediately.

or:

- ▷ Set switch to position >A< or >RA<.
  - ↳ Vacuum cleaner is in standby mode for power tools.

### 4.2.3 Setting the suction hose diameter\*

- ▷ Set suction hose diameter at the switch.

#### ⚠ CAUTION!

**Selector switch for minimum air volume flow signal (horn and light) on vacuum cleaners with dust classes „M“ and „H“**  
In the modes >RA< and >I< the following setting is made, depending on the diameter of the hose:

Selector switch for suction hose inner diameter	Volume air flow
∅ 35 mm	70 l/s
∅ 27 mm	41 l/s
∅ 21 mm	25 l/s

The speed can be adjusted individually after setting the hose diameter.

### 4.2.4 Adjusting the suction power\*

- ▷ Adjust motor speed on the switch.
  - or

\* depending on model

- ▷ Set auxiliary air slide on the handle tube.

### 4.2.5 Switching off the vacuum cleaner

- ▷ Set switch to position >0<.
  - ↳ Vacuum cleaner is switched off.
- ▷ After switching off, pull the mains plug out.
- ▷ Roll up mains connection cable.
- ▷ Store the mains connection cable on the cable hook.
- ▷ Store the suction tube by inserting it into the accessories holder\* on the container rear wall.
- ▷ Put the suction hose ends together so that no dirt particles leak out.
- ▷ Remove Power tool.

## 5 Operating modes

### 5.1 Sucking up dry materials

- ▷ Only use a dry filter, vacuum cleaner and accessories, so that the dust does not stick and or cake.
- ▷ When vacuuming soot, cement, plaster or similar dusts: Insert a PE disposal bag in the dirt container.
- ▷ Always use disposal bags in combination with folded filter cartridges.

#### NOTE

M, H and H-asbestos class vacuum cleaners should be preferably used as vacuum cleaners for dry dusts.

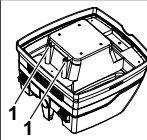
### 5.2 Sucking up liquids

#### ⚠ WARNING!

Electrical shock hazard!

- ▷ If any foam or liquid is discharged, immediately switch off the vacuum cleaner.
- ▷ Empty dirt container and folded filter cartridge.

#### NOTE



Regularly clean the water level sensors (1) and inspect for signs of damage.

- ▷ Vacuum cleaning without fleece filter bags.  
The folded filter cartridge designed for wet vacuum cleaning.  
The built-in sensor switches the motor off when the container is full. The handling of the vacuum cleaner can be compromised by a full container.
- ▷ Empty container (see „7 Emptying the container“ auf Seite 8).

## NOTE

If the vacuum cleaner is not switched off, the re-start protection remains effective. The vacuum cleaner is ready for operation only after the unit has been switched off and switched on again.

- ▷ Remove the suction hose from the liquid before emptying.
- ▷ After switching off, a small quantity of water can flow back out of the hose, as a result of the high suction level and the favourable flow condition in the container.
- ▷ After wet vacuum cleaning insert dry filters for picking up dry dust.

## NOTE

When changing frequently between dry and wet vacuum cleaning, use a second set of filters, preferably polyester folded filter cartridges.

### 5.3 Sucking up asbestos-containing substances

Only vacuum cleaners of dust class H-asbestos may be used for vacuuming asbestos-containing substances.

- ▷ Only work with a dry filter, vacuum cleaner and accessories to prevent dust from sticking and becoming incrustated.
- ▷ For sucking up asbestos-containing substances: Insert the PE emptying bag into the dirt container.
- ▷ Always use filter bags in conjunction with folded filter cartridges.

## NOTE

H-asbestos class vacuum cleaners should be preferably used as vacuum cleaners for dry dusts.

## ⚠ WARNING!

Health hazard !

Asbestos fibres in the air.

- ▷ Supply the work area with sufficient outside air (fresh air).
- ▷ Guide or clean extracted air in such a way that asbestos fibres do not get into the breathing air of other persons.
- ▷ When filtering the extracted air, transport any dust in dust-tight containers.
- ▷ Do not decant dust.

If there is a possibility of asbestos fibres becoming free:

- ▷ Absorb asbestos fibres at the outlet or point of origin.
- ▷ Then dispose of asbestos fibres in accordance with the state of the art without any danger to persons or the environment.

If complete absorption of asbestos fibres is not possible:

- ▷ Take additional ventilation measures in accordance with the state of the art.

After completion of the work:

- ▷ Carefully clean tools, including suction tubes and work equipment.
- ▷ Carefully clean the working area.
- ▷ Moisten and properly remove objects contaminated with asbestos fibres that cannot be cleaned.

After cleaning:

- ▷ Ventilate the working area sufficiently.

## 6 Permanent filter cleaning

The vacuum cleaner is fitted with an electromagnetic filter cleaning system, which can be used to clean any attached dust from the filter cartridges.

Filter cleaning is performed automatically during the next working break when the minimum volume flow level is reached (switch setting >RA<).

## 7 Emptying the container

### NOTE

Only permitted for dust with workplace exposure limits > 1 mg/m<sup>3</sup>.

- ▷ Switch off the vacuum cleaner, pull out the mains plug.
- ▷ Open the latches.
- ▷ Remove the cover and suction hose from the container.
- ▷ Empty the container by pouring out.

### 7.1 Dispose of the fleece filter bag

- ▷ Switch off vacuum cleaner.
- ▷ Disconnect mains plug.
- ▷ Wear appropriate breathing mask.
- ▷ Remove suction hose.
- ▷ Close off intake socket with cap.
- ▷ Open side latches.
- ▷ Remove top section.
- ▷ Carefully pull the flange off the intake socket and close off the flange.
- ▷ Dispose of gathered material in accordance with legal requirements.

### 7.2 Dispose of the PE emptying and disposal bag

- ▷ Set switch to position >RA<.
  - ↳ Folded filter cartridges are cleaned automatically.
  - ↳ Residual dust in the filters falls into the bag.
- ▷ Switch off vacuum cleaner.
- ▷ Disconnect mains plug.
- ▷ Wear appropriate breathing mask.
- ▷ Remove suction hose.
- ▷ Close off intake socket with cap.
- ▷ Open side latches.
- ▷ Carefully close the PE emptying and disposal bag with the enclosed sealing tape.
- ▷ Carefully pull the flange off the intake socket and close off the flange.
- ▷ Carefully remove the PE emptying and disposal bag from the container.



- ▷ Dispose of gathered material in accordance with legal requirements.

### 7.3 Insert fleece filter bag

#### NOTE

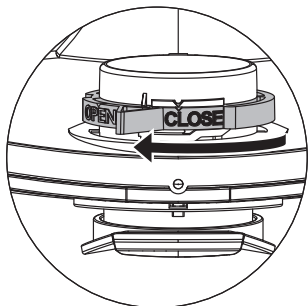
Only use fleece filter bags for dry vacuum cleaning.

- ▷ Slide the flange completely over the intake socket.

#### NOTE

#### Operating the rotary slide

- ▷ Turn the red rotary slide inside to position CLOSE to the stop on the marker ▲.



### 7.4 Insert PE emptying and disposal bag\*

#### NOTE

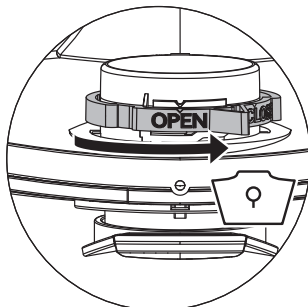
Only the vacuum cleaners class **L**, **M** and **H** with special containers and rotary slider in the suction aperture of types IS/ISC L, M, H and H-ASBEST are suitable for the use of PE Emptying and disposal bags.

#### NOTE

#### Operating the rotary slide

- ▷ Turn the red rotary slide inside to position OPEN to the stop on the marker ▲.

- ▷ Slide the flange completely over the intake socket.
- ▷ Place the upper bag opening over the container rim.



## 8 Changing the filter

### 8.1 Changing the folded filter cartridges

- ▷ Clean the filter cartridges before changing them.
- ▷ Turn the lock on the latch through 90° in a counter-clockwise direction with a coin or similar object and push the latch to the rear.
- ▷ Fold up the cover.
- ▷ Immediately isolate the folded filter cartridges that you have removed in a dust-tight plastic bag and dispose of properly in accordance with the requirements.
- ▷ Insert new folded filter cartridges.
- ▷ Lift the locking bracket up, fold down the cover and click in place with light pressure.

## 9 Changing the motor protection filter

#### NOTE

If motor protection filter is contaminated, this indicates defective filter cartridges.

- ▷ Replace folded filter cartridges.
- ▷ Replace motor protection filter or wash the motor protection filter under flowing water, dry and re-insert.

## 10 Transport

- ▷ Remove suction hose.
- ▷ Close off intake socket with cap.
- ▷ Securely fix the motor head to the container.
- ▷ Close the side latches.
- ▷ Place the accessories in a suitable plastic bag and seal the plastic bag or place it in the tool storage compartment.
- ▷ Put the suction hose ends together so that no dirt particles leak out.
- ▷ Place the hose around the vacuum cleaner and clamp onto the handle.

## 11 Maintenance

#### NOTE

Switch off the vacuum cleaner and pull out the mains plug before carrying out any maintenance work.

For maintenance by the user, the vacuum cleaner must be

- dismantled,
- cleaned and
- maintained,

as far as possible without creating any danger to the maintenance personnel or other.

\* depending on model

## Precautionary measures

Suitable precautionary measures include:

- Cleaning before dismantling
- Provision of local filtered positive ventilation where the vacuum cleaner is to be dismantled
- Cleaning of the maintenance area
- Suitable personal protection equipment

## Precautionary measures with vacuum cleaners class H and M

The outside of the vacuum cleaner should be cleaned by dust extraction procedures and wiped down, or should be treated with a sealing agent before being removed from the hazardous area. All parts of the vacuum cleaner must be considered to be contaminated when they are removed from the hazardous area, and suitable handling must be used to prevent dust distribution.

## Contaminated items

When carrying out maintenance or repair work, all contaminated items which have not been adequately cleaned, must be disposed of. Such items must be disposed of in impermeable bags in accordance with the applicable regulations concerning the disposal of such waste.

## 11.1 Testing the effectiveness of the vacuum cleaner

At least once a year, the manufacturer or an instructed person must perform a technical inspection including filters, air tightness of the vacuum cleaner, and control mechanisms.

In addition, the effectiveness of the vacuum cleaners with dust class H and H-asbestos must be checked at least once a year or more frequently. The test method, which can be used for demonstrating the effectiveness of the device, is defined in EN 60335-2-69 AA.22.201.2. If the test is not passed, it must be repeated with a new main filter.

There must be an adequate air exchange rate L in the room if the exhaust air returns to the room. Observe national regulations.

If the suction power of the vacuum cleaner is reduced and the cleaning of the filter cartridges is no longer sufficient (assuming that tank is emptied and fleece filter bag is replaced), it is necessary to replace the folded filter cartridges (see „8.1 Changing the folded filter cartridges“ auf Seite 9).

## 12 Cleaning

### NOTE

Acids, acetone and solvents can damage parts of the vacuum cleaner.

- ▷ Clean container and accessories with water.
- ▷ Wipe the top section with a damp cloth.
- ▷ Allow the container and accessories to dry.

## 13 Repair

### ⚠ WARNING!

- ▶ Improperly repaired vacuum cleaners pose a hazard for the user!
- ▶ Have repairs carried out by qualified personnel only, e.g. the customer service.

## 14 Troubleshooting and repair

### NOTE

Malfunions cannot always be traced back to defects in the vacuum cleaner.

Fault	Cause	Remedy
Suction power drops	Filter dirty	Clean
	Filter bag full	Change
	Container full	Empty
	Motor protection filter blocked	Clean
	Nozzle, tube or hose blocked	Clean
Vacuum cleaner does not start	Mains plug not in socket	Plug mains plug into socket
	No mains voltage	Check fuse
	Mains connection cable defective	Replace
	Cover not properly closed	Close
	Water sensor switched off	Empty container
	Vacuum cleaner in standby mode >A< or >RA<	Set switch to > < (see „3 Display and control elements“ auf Seite 6)
The vacuum cleaner does not start when the tool is switched on in the >A< or >RA< mode	Electrical tool not plugged into socket on the vacuum cleaner	Plug mains plug into socket on the vacuum cleaner
	Solenoid valve of pneumatic on-off unit*contaminated	Rinse with alcohol
PE emptying and disposal bag is sucked against the filter	Incorrect position of rotary slide	Set rotary slide to position OPEN ▲ (see „7.4 Insert PE emptying and disposal bag**“ auf Seite 9)
Vacuum cleaner with dust classes <b>M</b> or <b>H</b> : with inserted filter bag, dust is accumulating in the container	Incorrect position of rotary slide	Set rotary slide to position CLOSE ▲ (see „7.3 Insert fleece filter bag“ auf Seite 9)
Fill level indicator lights up	filter blocked	clean or change
	the suction hose is blocked	clean
	container is full	Empty

Do not try anything else, contact customer services.

## 15 Technical Data

Typ: IS		S 11
Voltage	V	110-120
Frequency	Hz	50/60
Rated power	W	1400
Max. power	W	1600
Air flow*	l/s (m <sup>3</sup> /h)	74 (266)
Negative pressure*	hPa/MG	234
Air flow**	l/s (m <sup>3</sup> /h)	35 (126)
Negative pressure**	hPa/SE	200
Noise level	dB(A)	69
Weight	kg	11,5
Dimensions (l x w x h)	cm	45 x 39 x 49

\* at the fan

\*\* at the hose

\* depending on model

Max. power on vacuum cleaners with plug socket: 400 Watt (120V~)

Mains connection cable on vacuum cleaners for dust class L with plug socket: SJOW 3x16

## 16 Tests and approvals

Electro-technical tests must be carried out in accordance with the accident prevention regulations (DGUV V3) and in accordance with DIN VDE 0701 Part 1 and Part 3. These tests are required in accordance with DIN VDE 0702 at regular intervals and after repair or modification.

The vacuum cleaners are successfully tested in accordance with IEC/EN 60335-2-69.





### NOTE

Old equipment contains valuable materials which are designed for re-processing. The vacuum cleaners must **not be thrown away in the normal household waste**, but should be disposed of at a suitable proper collection system, e. g. via your communal disposal location.





## 1 Explication des symboles et des signes utilisés

Symbole / Mention	Description
	Symbole d'avertissement. Il prévient d'un risque de blessure potentiel. Toutes les instructions accompagnées par ce symbole ont pour but de prévenir les blessures, voire la mort. Le symbole d'avertissement apparaît toujours avec les mentions <b>DANGER, AVERTISSEMENT</b> et <b>PRUDENCE</b> .
<b>DANGER !</b>	Signale un danger avec un risque élevé pouvant entraîner des blessures graves, voire la mort, s'il n'est pas évité.
<b>AVERTISSEMENT !</b>	Signale un danger avec un risque moyen pouvant entraîner des blessures graves, voire la mort, s'il n'est pas évité.
<b>PRUDENCE !</b>	Signale un danger avec un risque faible pouvant entraîner des blessures légères ou modérées s'il n'est pas évité.
<b>REMARQUE</b>	Signale les conseils ou des indications qui facilitent le travail et pourvoient à la sécurité de fonctionnement figurent ici.
	Signale une condition préalable indispensable avant d'entreprendre une manipulation.
	Signale les étapes successives que l'utilisateur doit suivre.
	Signale le résultat d'une manipulation.

## 2 Informations importantes concernant la sécurité

### **AVERTISSEMENT !**

- ▶ Risque d'étouffement ! Ne laissez pas les enfants jouer avec le matériel d'emballage, par exemple les sacs en plastique.
- ▶ Ne pas grimper ou s'asseoir sur l'aspirateur.
- ▶ Risque de chute en cas de travail dans des escaliers. Veillez à adopter des postures stables et sûres.
- ▶ Ne pas poser le câble d'alimentation ni le flexible d'aspiration au-dessus de bords tranchants, ne pas les plier ni les coincer.
- ▶ Toujours poser le câble d'alimentation et le flexible d'aspiration de manière à éviter des points de trébuchement.
- ▶ Immédiatement mettre l'aspirateur hors marche si de la mousse ou du liquide s'échappent de l'appareil.
- ▶ Veiller à ce que l'intérieur du couvercle soit toujours sec. Ne pas utiliser l'aspirateur y compris les accessoires dans les cas suivants :
  - Le câble d'alimentation au secteur ou le câble de rallonge est défectueux ou présente des fentes
  - Présence de dommages visibles sur l'aspirateur, par exemple des fentes sur le boîtier
  - Si vous soupçonnez un défaut imperceptible, par exemple après une chute

### **DANGER !**

- ▶ Risque d'explosion et d'incendie ! Ne faites pas fonctionner l'aspirateur dans un lieu présentant un risque d'explosion.
- ▶ Tenez l'aspirateur à l'écart de gaz et de substances inflammables.

### ⚠ DANGER !

- ▶ Risque d'explosion et d'incendie ! Ne pas utiliser l'aspirateur pour aspirer les choses suivantes :
  - Solvants inflammables ou explosifs
  - Matériaux trempés dans des solvants
  - Poussières potentiellement explosives
  - Liquides tels que de l'essence, de l'huile, de l'alcool, des diluants
  - matériaux à température supérieure à 60 °C

### ⚠ AVERTISSEMENT !

- ▶ Des appareils réparés de manière incompétente présentent des dangers pour l'utilisateur. Ne faire exécuter des travaux de réparation que par du personnel spécialisé, tel que par exemple le service après-vente. N'utiliser que des pièces de rechange d'origine.

### ⚠ AVERTISSEMENT !

- ▶ Utiliser la prise figurant sur l'aspirateur uniquement aux fins déterminées dans les instructions de service.
- ▶ Le fabricant décline toute responsabilité pour d'éventuels dégâts résultant de changement d'affectation, de maniement incorrect ou de réparation incompétente.
- ▶ Ne jamais utiliser des rallonges endommagées.
- ▶ Si le câble d'alimentation de l'aspirateur est endommagé, il doit être remplacé par un câble d'alimentation particulier disponible chez le fabricant ou son service après-ventes.
- ▶ Dans le cas de brosses électriques, garantir que les brosses rotatives n'entrent pas en contact avec le câble d'alimentation.
- ▶ La tension sur la plaque signalétique doit concorder avec la tension du réseau.
- ▶ Mettre l'aspirateur hors marche et débrancher la fiche secteur après chaque utilisation et avant chaque maintenance.
- ▶ Toujours tirer sur la fiche secteur et jamais sur le câble d'alimentation.
- ▶ Ne jamais brancher ni débrancher la fiche secteur avec des mains humides.
- ▶ L'alimentation en courant doit être protégée au moyen d'un fusible à intensité de courant appropriée.
- ▶ Ne jamais ouvrir l'aspirateur à l'air libre en cas de pluie ou d'orage.
- ▶ L'aspirateur doit être entreposé sec et protégé contre le gel en intérieur.

### ⚠ AVERTISSEMENT !

- ▶ Les dépoussiéreuses sont testées selon la norme DIN EN 60335-2-69 et sont réparties en différentes catégories de poussière.
- ▶ Les aspirateurs de catégorie **L** sont appropriés pour aspirer des poussières sèches, incombustibles et dangereuses pour la santé présentant des valeurs limites pour poste de travail > 1 mg/m<sup>3</sup>.
- ▶ Les aspirateurs de la catégorie **M** sont appropriés pour l'aspiration de poussières sèches, non combustibles, de liquides, poussières de bois non combustibles et de poussières dangereuses avec des valeurs limites ≥ 0,1 mg/m<sup>3</sup>.
- ▶ Les aspirateurs de la catégorie **H** sont appropriés pour l'aspiration de poussières sèches, non combustibles, de particules cancérigènes et pathogènes, ainsi que de liquides, de poussières de bois non combustibles et de poussières dangereuses avec tout les valeurs limites.

### ⚠ AVERTISSEMENT !

- ▶ Les aspirateurs de la catégorie de poussière **H-amiante** conviennent pour l'aspiration et l'extraction de poussières contenant de l'amiante. Respecter les prescriptions nationales pour le fonctionnement et l'entretien des outils anti-amianté.

### ⚠ AVERTISSEMENT !

- ▶ Cet appareil ne doit pas être utilisé par des personnes (y compris des enfants) avec des capacités physiques, sensorielles ou mentales déficientes ou un manque d'expérience ou de connaissances.
- ▶ Les enfants doivent être surveillés afin de s'assurer qu'ils ne jouent pas avec l'appareil.
- ▶ Ne jamais diriger la buse, le flexible ou le tube sur des personnes ou des animaux.

### ⚠ AVERTISSEMENT !

- ▶ N'utilisez que les brosses fournies avec l'aspirateur ou celles spécifiées dans les instructions d'utilisation.
- ▶ L'utilisation d'autres brosses peut compromettre la sécurité.
- ▶ Lors de l'utilisation dans des entreprises de transformation des aliments : Nettoyez immédiatement l'aspirateur après utilisation et désinfectez-le pour éviter toute contamination microbienne.
- ▶ Ne pas utiliser de jets de vapeur ni de nettoyeur haute pression pour le nettoyage.
- ▶ Utilisez l'aspirateur uniquement sous surveillance.
- ▶ Déconnectez l'aspirateur de l'alimentation du secteur en cas d'interruption assez longue du travail.
- ▶ Ne pas nettoyer les cassettes filtrantes avec de l'air comprimé.

Lisez le mode d'emploi attentivement avant de commencer à utiliser l'aspirateur. Le mode d'emploi fournit des instructions importantes pour la sécurité, la mise en service, l'utilisation, l'entretien et la maintenance. Conservez le mode d'emploi dans un endroit sûr et remettez-le au nouveau propriétaire en cas de revente de l'appareil.

Le fabricant se réserve le droit de modifier la construction et l'équipement.

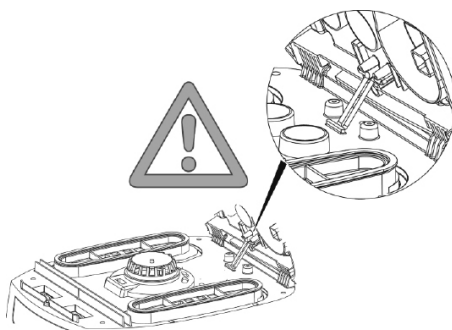
Il est interdit d'effectuer d'autres travaux que ceux décrits dans ces instructions de service.

Cet appareil est prévu pour un usage commercial, par exemple pour une utilisation dans des hôtels, écoles, hôpitaux, usines, magasins, bureaux ou locations.

Lors du déballage, vérifier l'intégralité et l'absence d'avaries de transport.

Les utilisateurs doivent, avant l'utilisation, obtenir les informations, les instructions et les formations concernant l'utilisation de


l'aspirateur et des substances pour lesquelles il doit être utilisé, y compris le procédé fiable pour l'élimination du matériel aspiré.



## 3 Éléments de l'affichage et de commande

Position des commutateurs	Fonction	Description
0	Aspirateur hors marche	- La prise d'alimentation est sous tension
I	Aspirateur en marche	- La prise d'alimentation est sous tension - Fonction de vibration automatique désactivée
A	Disponibilité pour l'automatisme de mise en/hors marche	- La prise d'alimentation est sous tension - L'aspirateur est mis en marche et hors marche par le biais du l'outil électrique/à air comprimé raccordé à la prise
RA	Disponibilité pour l'automatisme de mise en/hors marche	- Mode de disponibilité comme >A< plus nettoyage automatique du filtre



Position des commutateurs	Fonction	Description
	Fonction de vibration automatique	- Ce nettoyage de filtre s'effectue automatiquement lorsque le flux volumique minimal réglé est atteint au cours de la prochaine pause de travail (position de l'interrupteur RA)
	Indicateur de niveau de remplissage*	- L'indicateur de niveau de remplissage s'allume lorsque la cuve est pleine et/ou que le flexible d'aspiration est obstruée. Un signal acoustique retentit en supplément sur des aspirateurs des catégories M et H.
	Réglage du diamètre du tuyau d'aspiration*	- Sur les aspirateurs M-/H-/H-amiante pour la surveillance du débit volumique, déclencher un signal d'alarme sonore si la vitesse de l'air descend en dessous de 20 m/s

## 4 Mise en service

### 4.1 Avant chaque utilisation

S'assurer que les conditions suivantes sont remplies :

L'aspirateur, le câble d'alimentation, le tuyau d'aspiration et les accessoires ne sont pas endommagés.

Tous les filtres ont été insérés et ne sont pas endommagés.

### 4.2 Mise en marche/arrêt

La prise de courant de l'aspirateur reste toujours sous tension, quelle que soit la position du commutateur principal.

#### ⚠ AVERTISSEMENT !

Danger de blessure en cas de démarrage automatique d'un outil électrique !

- ▷ Éteindre l'outil électrique ou pneumatique avant de le brancher sur l'aspirateur.

#### REMARQUE

Lorsque le commutateur est positionné sur >0<, la prise sur l'aspirateur peut être utilisée comme rallonge.

⚠ **Puissance raccordée** : Aspirateur + outil raccordé, (au maximum 2000 W) max. 16 A.

### 4.2.2 Mise en marche de l'aspirateur

Pour les fonctions, „3 Éléments de l'affichage et de commande“ auf Seite 16.

- ▷ Insérer la fiche dans la prise électrique.
- ▷ Placer le commutateur sur la position >1<.
- ↳ L'aspirateur démarre immédiatement.

ou :

- ▷ Placer le commutateur sur la position >A< ou >RA<.
- ↳ L'aspirateur est en mode veille pour les outils électriques.

### 4.2.3 Réglage du diamètre du tuyau d'aspiration\*

- ▷ Régler le diamètre du tuyau d'aspiration avec le sélecteur.

#### ⚠ PRUDENCE !

**Sélecteur pour un signal de débit du volume d'air minimum (sonnerie et lumière) sur les aspirateurs avec les classes de poussière « M » et « H »**

Dans les modes >RA< et >1<, le réglage suivant est réalisé en fonction du diamètre du tuyau :

Sélecteur pour le diamètre interne du tuyau d'aspiration	Volume du débit d'air
∅ 35 mm	70 l/s
∅ 27 mm	41 l/s
∅ 21 mm	25 l/s

La vitesse peut être réglée individuellement après avoir réglé le diamètre du tuyau.

### 4.2.4 Régler la puissance d'aspiration\*

- ▷ Ajuster la vitesse du moteur sur le sélecteur.
- ou :
- ▷ Régler le coulisseau d'aération auxiliaire sur la poignée tubulaire.

### 4.2.5 Éteindre l'aspirateur

- ▷ Placer le commutateur sur la position >0<.
- ↳ L'aspirateur est éteint.
- ▷ Après avoir éteint l'appareil, débrancher la fiche d'alimentation.
- ▷ Enrouler le câble d'alimentation au secteur.
- ▷ Ranger le câble d'alimentation au secteur sur le crochet de câble.
- ▷ Ranger le tuyau d'aspiration en l'insérant dans le support\* pour accessoires sur la paroi arrière du bac.
- ▷ Placez ensemble les extrémités du tuyau d'aspiration de manière à ce qu'aucune particule de saleté ne s'échappe.
- ▷ Retirez l'outil électrique.

\* en fonction des caractéristiques de l'équipement

## 5 Modes de service

### 5.1 Aspiration de solides

- ▷ Aspirer uniquement avec un filtre, un aspirateur et des accessoires secs afin d'éviter que les poussières restent collées et ne s'incruster.
- ▷ Lors de l'aspiration de suie, de ciment, de plâtre ou de poussières similaires : insérez un sac d'élimination de PE dans le bac à ordure.
- ▷ Toujours utiliser des sacs d'élimination en combinaison avec les cassettes filtrantes pliées.

#### REMARQUE

Les aspirateurs des catégories M, H et H Amiante doivent de préférence être utilisés comme aspirateurs poussières.

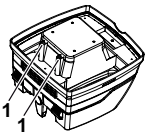
### 5.2 Aspirations de liquides

#### ⚠ AVERTISSEMENT !

Risque de décharge électrique!

- ▷ Immédiatement mettre l'aspirateur hors marche si de la mousse ou du liquide s'échappent de l'appareil.
- ▷ Vider la cuve et le cas échéant, la cassette filtrante.

#### REMARQUE



Nettoyer régulièrement les capteurs de niveau d'eau (1) et les examiner pour constater d'éventuels signes d'endommagement.

- ▷ Aspirer sans cas filtre non tissé. Les cassettes filtrantes à ailettes ne sont pas appropriées pour aspirer des matières humides. Le capteur intégré arrête le moteur lorsque le récipient est rempli. L'utilisation de l'aspirateur peut être entravée par un récipient plein.
- ▷ Vider le bac „7 Vidage du bac“ auf Seite 19.

#### REMARQUE

Si l'aspirateur n'est pas mis hors marche, la protection contre la remise en marche continue à rester efficace. L'aspirateur est de nouveau prêt au fonctionnement après la mise hors marche et la remise en marche.

- ▷ Avant la vidange, tout d'abord sortir le flexible d'aspiration du liquide.
- ▷ Suite à une performance élevée d'aspiration et à une forme aérodynamique de la cuve, un peu d'eau peut ressortir du flexible après la mise hors marche.
- ▷ Pour une aspiration de solides par la suite, utiliser des filtres secs.

#### REMARQUE

En cas d'alternances fréquentes entre l'aspiration de solides et de liquides, nous recommandons l'utilisation d'un deuxième élément filtrant, de préférence des cassettes filtrantes pliées en polyester.

### 5.2.2 Aspirer les substances contenant de l'amiante

Seuls les aspirateurs de catégorie de poussière H-amiante peuvent être utilisés pour aspirer des substances contenant de l'amiante.

- ▷ Travailler uniquement avec un filtre, un aspirateur et des accessoires secs pour empêcher la poussière de coller et de s'incruster.
- ▷ Pour aspirer les substances contenant de l'amiante : Insérer le sac de vidage PE dans le vide-poussière.
- ▷ Toujours utiliser des sacs filtrants PE en conjonction avec les cartouches filtrantes pliées.

#### REMARQUE

Les aspirateurs de classe H-amiante doivent idéalement être utilisés comme aspirateurs pour poussières sèches.

#### ⚠ ATTENTION!

Risque pour la santé !

Fibres d'amiante dans l'air.

- ▷ Faire en sorte que la zone de travail reçoivent suffisamment d'air extérieur (air frais).
- ▷ Diriger ou nettoyer l'air extrait de façon à ce que les fibres d'amiante ne pénètrent pas dans l'air respirable de toute autre personne.
- ▷ Au moment de filtrer l'air extrait, transporter la poussière dans des contenants étanches à la poussière.
- ▷ Ne pas décanter la poussière.

S'il y a un risque d'échappement des fibres d'amiante :

- ▷ Absorber les fibres d'amiante à la sortie ou au point d'origine.
- ▷ Puis mettre au rebut les fibres d'amiante conformément à la technologie moderne sans mettre en danger les personnes ou l'environnement.

Si l'absorption totale des fibres d'amiante n'est pas possible :

- ▷ Entreprendre d'autres mesures de ventilation selon les dernières technologies disponibles.

Une fois le travail terminé :

- ▷ Nettoyer avec soin les outils, y compris les tubes d'aspiration et l'équipement de travail.
- ▷ Nettoyer soigneusement la zone de travail.
- ▷ Humecter et enlever correctement les objets contaminés par des fibres d'amiante qui ne peuvent pas être nettoyés.

Après avoir nettoyé :

- ▷ Suffisamment ventiler la zone de travail.

## 6 Nettoyage des filtres permanents

L'aspirateur est équipé d'un système de nettoyage du filtre électromagnétique qui peut être utilisé pour nettoyer toute la poussière accrochée aux cassettes filtrantes.

Ce nettoyage de filtre s'effectue automatiquement lorsque le flux volumique minimal réglé est atteint au cours de la prochaine pause de travail (position de l'interrupteur >RA<).

## 7 Vidage du bac

### REMARQUE

Uniquement admissible pour des poussières avec des valeurs limites > 1 mg/m<sup>3</sup>.

- ▷ Mettre l'aspirateur hors marche, débrancher la fiche secteur.
- ▷ Ouvrir les fermetures.
- ▷ Retirer le couvercle et le flexible d'aspiration de la cuve.
- ▷ Renverser la cuve pour la vider.

### 7.1 Mettez au rebut le sac filtrant en feutre

- ▷ Éteignez l'aspirateur.
- ▷ Débranchez la fiche d'alimentation au secteur.
- ▷ Portez des masques filtrants appropriés.
- ▷ Retirez le tuyau d'aspiration.
- ▷ Fermez la prise d'admission avec le capuchon.
- ▷ Ouvrez les loquets latéraux.
- ▷ Ôtez la section supérieure.
- ▷ Enlevez doucement la bride de la prise d'entrée et fermez la bride.
- ▷ Jetez les matériaux accumulés conformément aux dispositions légales.

### 7.2 Éliminez le sac de vidage et d'élimination de PE

- ▷ Placez le commutateur sur la position >RA<.
  - ↳ Les cassettes filtrantes pliées sont nettoyées automatiquement.
  - ↳ La poussière résiduelle dans les filtres tombe dans le sac.
- ▷ Éteignez l'aspirateur.
- ▷ Débranchez la fiche d'alimentation au secteur.
- ▷ Portez des masques filtrants appropriés.
- ▷ Retirez le tuyau d'aspiration.
- ▷ Fermez la prise d'admission avec le capuchon.
- ▷ Ouvrez les loquets latéraux.
- ▷ Ôtez la section supérieure.
- ▷ Fermer prudemment le sac de vidage et d'élimination PE avec la bande de protection fournie en annexe.
- ▷ Retirer prudemment la bride de la tubulure d'aspiration et la fermer.
- ▷ Sortir prudemment le sac de vidage et d'élimination PE de la cuve
- ▷ Eliminer les matières aspirées de manière conforme aux stipulations légales.

### 7.3 Insérez le sac filtrant en feutre

### REMARQUE

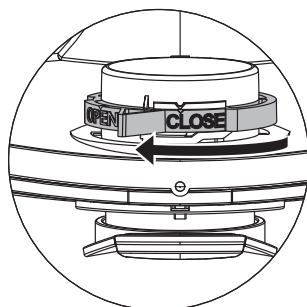
N'utilisez que des sacs filtrants en feutre pour l'aspiration de poussière.

- ▷ Faites glisser complètement la bride sur la prise d'admission.

### REMARQUE

#### Utilisation de la glissière rotative

- ▷ Tournez la glissière rotative rouge à l'intérieur pour positionner CLOSE sur la butée du repère ▲.



- ▷ Placez la section supérieure sur le bac.
- ▷ Fermez les loquets latéraux.

### 7.4 Insérer le sac de vidage et d'élimination PE\*

### REMARQUE

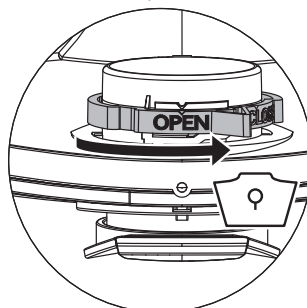
Uniquement les aspirateurs des catégories L, M et H avec cuve spéciale et régulateur rotatif du type IS/ISC L, M, H et H-ASBEST dans l'orifice d'aspiration sont appropriés pour l'utilisation de sacs PE de vidage et d'élimination.

### REMARQUE

#### Utilisation de la glissière rotative

- ▷ Tournez la glissière rotative rouge à l'intérieur pour positionner OPEN sur la butée du repère ▲.

- ▷ Faites glisser complètement la bride sur la prise d'admission.
- ▷ Placez l'ouverture supérieure du sac sur le rebord du bac.



## 8 Changement du filtre

### 8.1 Changement des cassettes filtrantes pliées

- ▷ Nettoyer les cassettes filtrantes avant de les changer.

\* en fonction des caractéristiques de l'équipement

- ▷ Tournez le verrou sur le loquet de 90° dans le sens horaire avec une pièce de monnaie ou un objet similaire et poussez le loquet vers l'arrière.
- ▷ Relever le capot
- ▷ Après avoir retiré les cassettes filtrantes pliées, immédiatement les renfermer dans un sac plastique étanche aux poussières et les éliminer conformément aux stipulations.
- ▷ Mettre en place de nouvelles cassettes filtrantes pliées.
- ▷ Relever l'étrier de verrouillage, rabattre le capot et le bloquer en appuyant légèrement dessus.

## 9 Changement du filtre de protection du moteur

### REMARQUE

Un filtre de protection du moteur encrassé signale que les cassettes à filtre sont défectueuses.

- ▷ Remplacer les cassettes filtrantes pliées.
- ▷ Remplacer le filtre de protection de moteur resp. nettoyer le filtre de protection de moteur sous l'eau courante, le sécher et le remettre en place.

## 10 Transport

- ▷ Retirez le tuyau d'aspiration.
- ▷ Fermez la prise d'admission avec le capuchon.
- ▷ Placez la section supérieure sur le bac.
- ▷ Fermez les loquets latéraux.
- ▷ Placer les accessoires dans des sacs plastiques appropriés et fermer les sacs plastiques resp. les placer dans le porte-accessoires.
- ▷ Rassembler la fin du flexible d'aspiration et le début du flexible d'aspiration.
- ▷ Poser le flexible autour de l'aspirateur et le coincer sur la poignée.

## 11 Entretien

### REMARQUE

Toujours mettre l'aspirateur hors marche et débrancher la fiche secteur avant d'effectuer des travaux de maintenance.

Pour des travaux de maintenance effectués par l'utilisateur, l'aspirateur doit être

- désassemblé,
- nettoyé et
- entretenu,

dans la mesure du possible, sans pour autant présenter des risques pour le personnel de maintenance et d'autres personnes.

### Mesures de précaution

Des mesures de précaution appropriées comprennent

- le nettoyage avant le démontage,
- des mesures préventives pour une ventilation forcée filtrée locale là où l'aspirateur est démonté,
- le nettoyage de la zone de maintenance et
- un équipement de protection individuelle approprié.

### Mesures de précautions pour aspirateurs des catégories H et M

La partie extérieure de l'aspirateur doit être nettoyée en aspirant les poussières et en l'essuyant avec un chiffon ou bien elle doit être traitée avec du mastic, avant de les sortir de la zone dangereuse. Toutes les pièces des aspirateurs doivent être considérées comme encrassées lorsqu'elles sont sorties de la zone dangereuse et des actions appropriées doivent être réalisées pour éviter une répartition des poussières.

### Objets encrassés

Lors de l'exécution de travaux de maintenance ou de réparation, tous les objets encrassés n'ayant pas pu être suffisamment nettoyés, doivent être éliminés. Pour éliminer de tels objets, ils doivent être placés dans des sacs imperméables, en accord avec les stipulations en vigueur pour l'élimination de tels déchets.

## 11.1 Tester l'efficacité de l'aspirateur

Au moins une fois par an, le fabricant ou une personne formée doit effectuer un examen technique comprenant les filtres, l'étanchéité à l'air de l'aspirateur, et les mécanismes de commande.

En outre, l'efficacité des aspirateurs de classe de poussière H et H-amiante doit être contrôlée au moins une fois par an ou plus fréquemment. La méthode d'essai qui peut être utilisée pour démontrer l'efficacité de l'appareil est définie dans EN 60335-2-69 AA.22.201.2. Si le test n'est pas positif, il doit être répété avec un nouveau filtre principal.

Le taux de renouvellement d'air L dans la pièce doit être suffisant si l'évacuation de l'air retourne dans la pièce. Pour d'autres remarques, se référer aux stipulations nationales respectives.

Si la puissance d'aspiration de l'aspirateur diminue et qu'elle n'augmente plus, même après avoir nettoyé les cassettes filtrantes pliées (à condition que la cuve soit vidée et que le sac filtrant en feutre ait été remplacé), il est nécessaire de remplacer les cassettes filtrantes pliées (voir „8.1 Changement des cassettes filtrantes pliées“ auf Seite 19.

## 12 Nettoyage

### REMARQUE

Des acides, de l'acétone et des solvants peuvent endommager certaines pièces de l'aspirateur.

- ▷ Nettoyez le bac et les accessoires avec de l'eau.
- ▷ Essuyez la section supérieure à l'aide d'un chiffon humide.
- ▷ Laissez sécher le bac et les accessoires.

## 13 Réparation

### ⚠ AVERTISSEMENT !

- ▷ Des aspirateurs réparés de manière incompétente présentent des dangers pour l'utilisateur.
- ▷ Ne faire exécuter des travaux de réparation que par du personnel spécialisé, tel que par exemple le service après-vente. N'utiliser que des pièces de rechange d'origine.

## 14 Recherche de panne et dépannage

### REMARQUE

Des dysfonctionnements ne peuvent pas toujours être dus à des défauts de l'aspirateur.

Défaut	Cause	Correction
Baisse de la puissance d'aspiration	Filtre sale	Nettoyer
	Sac filtrant plein	Changer
	Bac plein	Vider
	Filtre de protection du moteur colmaté	Nettoyer
	Buse, tube ou tuyau colmaté	Nettoyer
L'aspirateur ne démarre pas	La fiche d'alimentation n'est pas branchée sur le secteur	Brancher la fiche d'alimentation sur une prise du secteur
	Pas de tension d'alimentation secteur	Vérifier le fusible
	Câble de connexion au secteur défectueux	Remplacer
	Le couvercle n'est pas correctement fermé	Fermer
	Capteur d'eau éteint	Bac vide
L'aspirateur est en mode veille >A< ou >RA<	L'aspirateur est en mode veille >A< ou >RA<	Placer le commutateur sur > < „3 Éléments de l'affichage et de commande“ auf Seite 16
	L'outil électrique n'est pas branché dans la prise d'alimentation de l'aspirateur	Brancher la fiche d'alimentation dans la prise de l'aspirateur
Le sac de vidage et d'élimination de PE est aspiré contre le filtre	La valve solénoïde de l'unité* marche-arrêt pneumatique est contaminée	Rincer avec de l'alcool
	Position incorrecte de la glissière rotative	Régler la glissière rotative sur la position OPEN ▲ „7.4 Insérer le sac de vidage et d'élimination PE“ auf Seite 19
Aspirateur de classe de poussière M ou H : avec un sac filtrant inséré, de la poussière s'accumule dans le bac	Position incorrecte de la glissière rotative	Régler la glissière rotative sur la position CLOSE ▲ „7.3 Insérez le sac filtrant en feutre“ auf Seite 19
Indicateur de niveau de remplissage s'allume	filtre bloqué	nettoyer ou changer
	le tuyau d'aspiration est bouché	nettoyer
	le conteneur est plein	Vide

Ne pas essayer autre chose, contactez le service clientèle.

## 15 Données techniques

Typ: IS		S 11
Tension	V	110-120
Fréquence	Hz	50/60
Puissance nominale	W	1400
Puissance max.	W	1600
Flux d'air*	l/s (m³/h)	74 (266)
Dépression*	hPa/MG	234
Flux d'air**	l/s (m³/h)	35 (126)
Dépression**	hPa/SE	200
Pression acoustique	dB(A)	69
Poids	kg	11,5
Dimensions l x l x h	cm	45 x 39 x 49

\* Au ventilateur

\*\* au tuyau

Puissance maximale sur les aspirateurs avec prise d'alimentation : 400 Watt (120V~)

Câble de connexion secteur sur les aspirateurs de catégorie L avec prise d'alimentation : SJOW 3x16

## 16 Tests et approbations

Des contrôles électrotechniques doivent être exécutés conformément aux prescriptions de prévention des accidents (DGUV V3) et à la norme DIN VDE 0701 partie 1 et partie 3. Ces contrôles sont nécessaires, conformément à la norme DIN VDE 0702, à intervalles réguliers et après une remise en état ou des modifications.

Les aspirateurs ont été soumis avec succès au contrôle conformément à IEC/EN 60335-2-69.





### REMARQUE

Les appareils usés contiennent des matériaux précieux appropriés pour le recyclage. **Ne pas jeter les aspirateurs aux ordures ménagères habituelles**, plutôt les éliminer de manière compétente par le biais de systèmes de collecte appropriés, par exemple par le poste de récupération communal.





## 1 Explicación de los símbolos y signos utilizados

Símbolo / Palabra de advertencia	Descripción
	Este es un símbolo de advertencia. Advierte de un potencial peligro de lesión. Seguir todas las instrucciones que vayan acompañadas de este símbolo, a fin de evitar cualquier potencial riesgo de lesiones, incluso mortales. El símbolo de advertencia siempre aparece en relación con las palabras de advertencia <b>PELIGRO</b> , <b>ADVERTENCIA</b> y <b>PRECAUCIÓN</b> .
<b>¡PELIGRO!</b>	Identifica un potencial peligro con alto grado de riesgo que puede causar lesiones graves, incluso mortales, en caso de no evitarse.
<b>¡ADVERTENCIA!</b>	Identifica un potencial peligro con grado medio de riesgo que puede causar lesiones graves, incluso mortales, en caso de no evitarse.
<b>¡PRECAUCIÓN!</b>	Identifica un potencial peligro con grado bajo de riesgo que puede causar lesiones leves a moderadas, en caso de no evitarse.
<b>NOTA</b>	Identifica los consejos e indicaciones, que aligeran el trabajo y procuran un funcionamiento seguro.
	Identifica un requisito que debe cumplirse antes de poder llevar a cabo una acción.
	Identifica los pasos que el usuario debe realizar sucesivamente.
	Identifica el resultado de una acción.

## 2 Información importante de seguridad

### ¡ADVERTENCIA!

- ▶ ¡Peligro de asfixia! No permita que los niños jueguen con el material de embalaje, como por ejemplo, bolsas de plástico.
- ▶ No suba o se siente sobre el aspirador.
- ▶ Riesgo de caída al trabajar en escaleras. Preste atención a estar de pie con seguridad.
- ▶ Evite tirar del cable de conexión y la manguera de aspiración sobre bordes afilados, así como doblarlos o que queden atrapados.
- ▶ Disponga el cable de conexión y la manguera de aspiración de tal forma que nadie pueda tropezar con los mismos.
- ▶ Si empieza a salir espuma o líquido del aspirador, desconéctelo de inmediato.
- ▶ Mantenga siempre seca la parte interior de la tapa.
- ▶ No utilice el aspirador ni sus accesorios en los casos siguientes:
  - El cable de conexión a la red o el cable de extensión están defectuosos o muestran grietas
  - Hay daños visibles en el aspirador como, por ejemplo, grietas en la carcasa
  - Si sospecha un defecto invisible, por ejemplo después de una caída

### ¡PELIGRO!

- ▶ ¡Riesgo de explosión y de incendio! No ponga en funcionamiento el aspirador en entornos potencialmente explosivos.
- ▶ Mantenga el aspirador alejado de gases y sustancias inflamables.



**⚠ ¡PELIGRO!**

- ▶ ¡Riesgo de explosión y de incendio! No utilice el aspirador para aspirar lo siguiente:
  - disolventes inflamables o explosivos
  - materiales empapados en disolventes
  - polvos potencialmente explosivos
  - líquidos tales como gasolina, aceite, alcohol, diluyentes
  - materiales a una temperatura superior a los 60 °C

**⚠ ¡ADVERTENCIA!**

- ▶ Si las reparaciones se realizan de forma no profesional, los aparatos pueden suponer un peligro para el usuario. Encargue las reparaciones exclusivamente a profesionales, p. ej. servicio de atención al cliente. Utilice solo piezas de repuesto originales.

**⚠ ¡ADVERTENCIA!**

- ▶ Utilice la caja de enchufe disponible en el aspirador exclusivamente para los fines establecidos en el manual de instrucciones.
- ▶ En caso de uso no conforme a la finalidad, manejo inadecuado o reparaciones no realizadas de manera profesional, el fabricante declina toda responsabilidad por posibles daños.
- ▶ No utilice cables de prolongación dañados.
- ▶ Si el cable de conexión del aspirador sufre daños, será preciso sustituirlo por un cable de conexión especial suministrable por el fabricante o por su servicio de atención al cliente.
- ▶ En el caso de los cepillos eléctricos, no permita que los cepillos giratorios entren en contacto con el cable de conexión a la red.
- ▶ La tensión indicada en la placa de características debe coincidir con la tensión de red.
- ▶ Desconecte el aspirador y extraiga el conector de red tras cada uso y antes de iniciar el mantenimiento del aspirador.
- ▶ Tire solo del conector de red, nunca del cable de conexión.
- ▶ No introduzca ni extraiga nunca el conector de red con las manos húmedas.
- ▶ El suministro de corriente debe asegurarse mediante un fusible con la intensidad de corriente adecuada.
- ▶ No abra nunca el aspirador en espacios abiertos si está lloviendo o hay una tormenta.
- ▶ Secar el aspirador y guardar protegido contra heladas en interiores.

**⚠ ¡ADVERTENCIA!**

- ▶ Las máquinas de eliminación de polvo se prueban según la norma DIN EN 60335-2-69 y se dividen por clases de polvo.
- ▶ Las aspiradoras de la clase de aspiración **L** se ajustan para aspirar o absorber polvo seco no inflamable peligroso para la salud con valores límite en el lugar de trabajo  $> 1 \text{ mg/m}^3$ .
- ▶ Los aspiradores de la clase **M** son adecuados para aspirar o absorber polvo seco no inflamable, líquidos no inflamables, polvo de madera y polvo peligroso con valor límite en el puesto de trabajo  $\geq 0,1 \text{ mg/m}^3$ .
- ▶ Los aspiradores de la clase **H** son adecuados para aspirar o absorber polvo seco no inflamable, partículas patógenas o cancerígenas, así como líquidos no inflamables, polvo de madera y polvo peligroso para la salud con todos los límites en el puesto de trabajo.

**⚠ ¡ADVERTENCIA!**

- ▶ Las aspiradores para la clase de polvo **H-asbestos** son adecuadas para aspirar y extraer el polvo que contiene asbesto. Observe las reglamentaciones nacionales para el funcionamiento y el mantenimiento de las herramientas de eliminación de asbestos.

### ⚠ ¡ADVERTENCIA!

- ▶ Esta máquina no debe ser utilizada por personas (incluidos niños) con sus capacidades físicas, sensoriales o mentales reducidas así como con falta de experiencia y conocimiento.
- ▶ Hay que vigilar a los niños para asegurarse de que no jueguen con el aparato.
- ▶ No dirija la tobera, la manguera o el tubo hacia personas o animales.

### ⚠ ¡ADVERTENCIA!

- ▶ Utilice solamente los cepillos suministrados con el aspirador o aquellos especificados en las instrucciones de funcionamiento.
- ▶ La utilización de otros cepillos puede comprometer la seguridad.
- ▶ Cuando se utilice en negocios de procesamiento de alimentos: limpie inmediatamente el aspirador después de usarla y desinfectela para evitar la contaminación microbiana.
- ▶ No utilice limpiadores de alta presión o chorros de vapor para limpiar el aparato.
- ▶ Utilice únicamente el aspirador bajo supervisión.
- ▶ Desenchufe el aspirador de la red en caso de que se produzca una interrupción larga del trabajo.
- ▶ No limpie los cartuchos del filtro con aire comprimido.

Lea el manual de funcionamiento detenidamente antes de comenzar a utilizar el aspirador. El manual de instrucciones proporciona instrucciones importantes para la seguridad, la puesta en servicio, el funcionamiento, el mantenimiento y el cuidado. Guarde el manual de funcionamiento en un lugar seguro y, en caso de vender la unidad, transfíralo a su nuevo propietario.

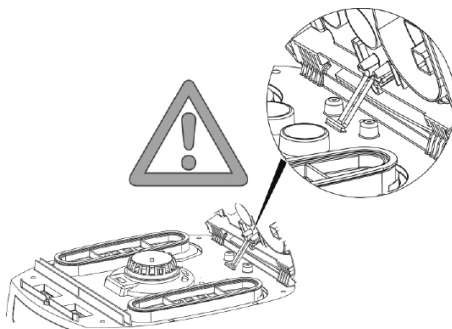
El fabricante se reserva el derecho a efectuar modificaciones en la estructura y el equipamiento.

No se permite realizar trabajos distintos a los descritos en este manual de instrucciones.

Esta máquina está destinada al uso comercial, p.ej. para su utilización en hoteles, escuelas, hospitales, fábricas, tiendas, oficinas y alquileres.


- ▶ Al extraer el aparato del embalaje, compruebe su integridad y si ha sufrido daños durante el transporte.
- ▶ Antes del uso del aspirador, los usuarios deben recibir información, instrucciones y formación relativas al uso del mismo

y de las sustancias para las que se desea utilizar, incluido el procedimiento seguro de eliminación del material recogido.



## 3 Elementos de visualización y control

Posición del conmutador	Función	Descripción
0	Aspirador desconectado	- La caja de enchufe suministra tensión
I	Aspirador en funcionamiento	- La caja de enchufe suministra tensión - Función automática de vibración desconectada
A	Preparado para encendido / apagado automático	- La caja de enchufe suministra tensión - El aspirador se conecta y desconecta mediante la herramienta eléctrica/de aire comprimido* conectada a la caja de enchufe
RA	Preparado para encendido / apagado automático	- Posición de preparado como >A< con limpieza automática del filtro

Posición del conmutador	Función	Descripción
	Función de limpieza automática del filtro	- Esta limpieza de filtro se inicia automáticamente, en el momento en el que se interrumpa el aspirado, en caso de que el caudal de aire se hubiera reducido por debajo del nivel ajustado (posición del interruptor RA).
	Indicador de nivel de llenado*	- El indicador de nivel de llenado se enciende cuando el tanque está lleno y/o la manguera de aspiración está obstruida. En los aspiradores con clase de polvo M y H, también se emite una señal acústica
	Ajuste del diámetro de la manguera de aspiración *	- En los aspiradores de M-/H-/H-asbestos para la monitorización de caudal volumétrico, para activar una señal acústica de advertencia si la velocidad del aire cae por debajo de 20 m/s.

## 4 Puesta en servicio

### 4.1 Antes de cada uso

Asegúrese de que se cumplan las siguientes condiciones:

El aspirador, el cable de alimentación, la manguera de aspiración y los accesorios no están dañados.

Todos los filtros se han insertado y no están dañados.

### 4.2 Encendido y apagado

El enchufe de el aspirador permanece siempre bajo tensión, independientemente de la posición del conmutador principal.

#### ⚠ ¡ADVERTENCIA!

¡Peligro de lesiones al arrancar la herramienta eléctrica automáticamente!

- ▷ Apague la herramienta eléctrica o la herramienta neumática antes de conectarla al aspirador.

#### NOTA

Cuando el conmutador se encuentra en la posición >0< es posible utilizar la caja de enchufe del aspirador como cable de prolongación.

⚠ **Valor de conexión:** Aspirador + aparato conectado (máximo 2000 W) máx. 16 A.

### 4.2.2 Encendido del aspirador

Funciones consulte „3 Elementos de visualización y control“ auf Seite 26.

- ▷ Inserte el enchufe en la toma.
- ▷ Coloque el interruptor en la posición ><.
- ↳ El aspirador se inicia inmediatamente.

o:

- ▷ Coloque el interruptor en la posición >A< o >RA<.

- ↳ El aspirador está en modo de espera para herramientas eléctricas.

### 4.2.3 Ajuste del diámetro de la manguera de aspiración\*

- ▷ Ajuste del diámetro de la manguera de aspiración en el conmutador.

#### ⚠ ¡PRECAUCIÓN!

**Conmutador selector para la señal de caudal volumétrico de aire mínimo (bocina y luz) en aspiradores con clases de polvo “M” y “H”**

En los modos >RA< y >I< se realiza la configuración siguiente, dependiendo del diámetro de la manguera:

Conmutador selector para el diámetro interno de la manguera de aspiración	Volumen de flujo de aire
∅ 35 mm	70 l/s
∅ 27 mm	41 l/s
∅ 21 mm	25 l/s

La velocidad puede ajustarse individualmente después de ajustar el diámetro de la manguera.

### 4.2.4 Ajuste de la potencia de succión\*

- ▷ Ajuste la velocidad del motor en el conmutador.
- 
- ▷ Coloque el deslizador de aire auxiliar en el tubo del mango.

### 4.2.5 Apagado del aspirador

- ▷ Coloque el interruptor en la posición >0<.
- ↳ El aspirador está desconectado.
- ▷ Después de apagarlo, desenchufe el cable de alimentación.
- ▷ Enrolle el cable de conexión a la red.
- ▷ Guarde el cable de conexión a la red en el gancho del cable.

\* depende de la variante del equipo

- ▷ Guarde el tubo de aspiración insertándolo en el soporte de accesorios\* en la pared posterior del recipiente.
- ▷ Coloque los extremos de la manguera de aspiración de manera que no salgan partículas de suciedad.
- ▷ Retire la herramienta eléctrica.

### NOTA

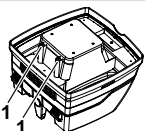
Los aspiradores de las clases M, H y H-Asbest deben usarse preferente para la aspiración de material seco.

## 5.2 Aspiración de líquidos

### ⚠ ¡ADVERTENCIA!

- ▷ Si empieza a salir espuma o líquido del aspirador, desconéctelo de inmediato.
- ▷ Vacíe el recipiente y, en caso necesario, el cartucho de filtro en fuelle.

### NOTA



Limpie los sensores de nivel de agua (1) regularmente y compruebe si presentan daños.

- ▷ Aspirar sin bolsa de filtro de lana.  
Las bandejas de filtros de pliegues son aptas para aspiración húmeda.  
El sensor incorporado apaga el motor si el recipiente está lleno. El manejo de la aspiradora puede resultar afectado si el recipiente está lleno.
- ▷ Recipiente vacío (consulte „7 Vaciado del recipiente“ auf Seite 29).

### NOTA

Si no se desconecta el aspirador, la protección contra reorganice se mantiene activa. El aspirador vuelve a estar preparado para el funcionamiento solo tras desconectarlo y volver a conectarlo.

- ▷ Antes de vaciar, retire la manguera de aspiración del líquido.
- ▷ Debido a la alta potencia de aspiración y a la forma del recipiente, adecuado para el flujo, puede salir algo de agua de la manguera tras la desconexión.
- ▷ Si desea aspirar a continuación material seco, instale filtros secos.

### NOTA

Si se cambia a menudo entre aspiración de material seco y húmedo, recomendamos utilizar un segundo juego de filtros, preferentemente cartuchos de filtro en fuelle de poliéster.

## 5 Modos de funcionamiento

### 5.1 Aspiración de material seco

- ▷ aspire solo con el filtro, aspirador y accesorios secos para que el polvo no quede pegado formando una costra.
- ▷ Al aspirar hollín, cemento, yeso o polvos similares: inserte una bolsa de eliminación de PE en el recipiente de suciedad.
- ▷ Utilice siempre bolsas de eliminación en combinación con cartuchos de filtro plegados.

### 5.3 Aspirar sustancias que contienen asbestos

Solo pueden usarse aspiradores de polvo de clase H-asbestos para aspirar sustancias que contengan asbestos.

- ▷ Trabaje solamente con filtros, aspiradores y accesorios secos para evitar que el polvo se pegue y se incruste.
- ▷ Para aspirar sustancias que contienen asbestos: Inserte la bolsa de vaciado de PE en el contenedor de suciedad.
- ▷ Siempre use bolsas de filtro en conjunción con cartuchos de filtro plegados.

### NOTA

Los aspiradores de clase H-asbestos deben usarse preferiblemente como aspiradores para polvos secos.

### ⚠ ¡ADVERTENCIA!

¡Peligro para la salud!

Fibras de asbestos en el aire.

- ▷ Suministre suficiente aire exterior (aire fresco) al área de trabajo.
- ▷ Guíe o limpie el aire extraído de tal manera que las fibras de asbestos no entren en el aire que respiran otras personas.
- ▷ Al filtrar el aire extraído, transporte el polvo en contenedores herméticos.
- ▷ No decante el polvo.

Si existe la posibilidad de que se liberen fibras de asbestos:

- ▷ Absorba las fibras de asbestos en la salida o en el punto de origen.
- ▷ Después elimine las fibras de asbestos de acuerdo con la técnica requerida sin ningún peligro para las personas o el medio ambiente.

Si no es posible la absorción completa de fibras de asbestos:

- ▷ Tome medidas de ventilación adicionales de acuerdo con la técnica requerida.

Una vez finalizado el trabajo:

- ▷ Limpie minuciosamente las herramientas, incluidos los tubos de succión y el equipo de trabajo.
- ▷ Limpie minuciosamente el área de trabajo.
- ▷ Humedezca y retire adecuadamente los objetos contaminados con fibras de asbestos que no se pueden limpiar.

Después de limpiar:

- ▷ Ventile el área de trabajo lo suficiente.

## 6 Limpieza permanente del filtro

El aspirador está equipado con un sistema electromagnético de limpieza de filtro, el cual se puede usar para limpiar cualquier polvo depositado de los cartuchos del filtro.

Esta limpieza de filtro se inicia automáticamente, en el momento en el que se interrumpe el aspirado, en caso de que el caudal de aire se hubiera reducido por debajo del nivel ajustado (posición del interruptor RA).

## 7 Vaciado del recipiente

### NOTA

Solo se permite para polvo con valor límite en el puesto de trabajo > 1 mg/m<sup>3</sup>

- ▷ Desconecte el aspirador, extraiga el conector de red.
- ▷ Abra los cierres.
- ▷ Retire la tapa y la manguera de aspiración del recipiente.
- ▷ Vierta el contenido del recipiente

### 7.1 Deseche la bolsa de filtro de lana

- ▷ Apague el aspirador.
- ▷ Desconecte el enchufe de la red.
- ▷ Use máscaras de respiración apropiadas.
- ▷ Retire la manguera de aspiración.
- ▷ Cierre la toma de admisión con la tapa.
- ▷ Abra los pestillos laterales.
- ▷ Retire la sección superior.
- ▷ Tire con cuidado de la brida de la toma de admisión y cierre la brida.
- ▷ Deseche el material recogido de acuerdo con los requisitos legales.

### 7.2 Deseche la bolsa de vaciado y eliminación de PE

- ▷ Coloque el conmutador en la posición >RA<.
  - ↳ Los cartuchos de filtro plegados se limpian automáticamente.
  - ↳ El polvo residual en los filtros cae dentro de la bolsa.
- ▷ Apague el aspirador.
- ▷ Desconecte el enchufe de la red.
- ▷ Use máscaras de respiración apropiadas.
- ▷ Retire la manguera de aspiración.
- ▷ Cierre la toma de admisión con la tapa.
- ▷ Abra los pestillos laterales.
- ▷ Retire la sección superior.
- ▷ Cierre la bolsa de vaciado y eliminación de PE con cuidado utilizando la cinta de cierre incluida en el suministro.
- ▷ Retire con cuidado la brida de la toma de aspiración y ciérrela
- ▷ Retire con cuidado la bolsa de vaciado y eliminación de PE del recipiente

- ▷ Elimine el material aspirado conforme a las disposiciones legales.

## 7.3 Inserte la bolsa de filtro de lana

### NOTA

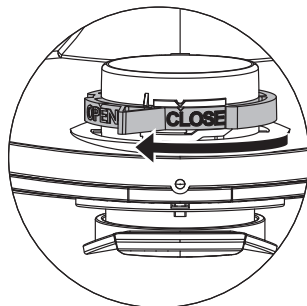
Utilice solo bolsas de filtro de lana para la aspiración en seco.

- ▷ Deslice la brida por completo sobre la toma de admisión.

### NOTA

#### Funcionamiento de la válvula giratoria

- ▷ Gire la válvula giratoria roja hacia adentro hasta la posición CLOSE en el tope del marcador ▲ .



## 7.4 Inserte la bolsa de vaciado y eliminación de PE\*

### NOTA

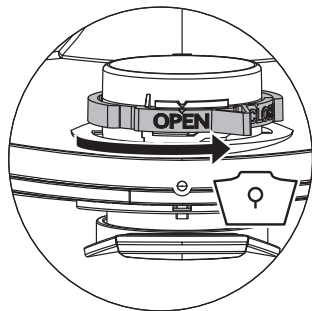
Solo los aspiradores de la clase **L**, **M** y **H** con recipientes especiales y corredera giratoria en la abertura de aspiración, modelos IS/ISC L, M, H y H-ASBEST son adecuados para utilizar las bolsas de vaciado y eliminación de PE.

### NOTA

#### Funcionamiento de la válvula giratoria

- ▷ Gire la válvula giratoria roja hacia adentro hasta la posición OPEN en el tope del marcador ▲ .
- ▷ Deslice la brida por completo sobre la toma de admisión.
- ▷ Coloque la abertura superior de la bolsa sobre el borde del recipiente.

\* depende de la variante del equipo



## 8 Cambio del filtro

### 8.1 Cambio de los cartuchos de filtro plegados

- ▷ Limpie los cartuchos de filtro antes de cambiarlos.
- ▷ Gire el cierre del pestillo dentro de un margen de 90° en sentido contrario a las agujas del reloj con una moneda o un objeto similar y empuje el pestillo hacia la parte trasera.
- ▷ Abata la cubierta
- ▷ Cierre inmediatamente los cartuchos de filtro en fuelle retirados dentro de una bolsa de plástico hermética al polvo y elimínelos de acuerdo a las disposiciones.
- ▷ Coloque cartuchos de filtro en fuelle nuevos.
- ▷ Eleve el asa de enclavamiento, abata hacia abajo la cubierta y encájela ejerciendo una ligera presión.

## 9 Cambio del filtro protector del motor

### NOTA

Si el filtro protector del motor está sucio, esto es una señal de que los cartuchos de filtro se encuentran defectuosos.

- ▷ Cambie los cartuchos de filtro en fuelle.
- ▷ Cambie el filtro protector del motor o limpie el filtro protector del motor con un chorro de agua, séquelo y vuelva a colocarlo.

## 10 Transporte

- ▷ Retire la manguera de aspiración.
- ▷ Cierre la toma de admisión con la tapa.
- ▷ Coloque la sección superior sobre el recipiente.
- ▷ Cierre los pestillos laterales.
- ▷ Introduzca los accesorios en bolsas de plástico adecuadas y cierre las bolsas de plástico o introdúzcalas en el soporte para herramientas.
- ▷ Conecte entre sí los extremos de la manguera de aspiración.
- ▷ Coloque la manguera de aspiración alrededor del aspirador y engánchela al asa.

## 11 Mantenimiento

### NOTA

Desconecte el aspirador y extraiga el conector de red antes de iniciar el mantenimiento del aspirador.

Para realizar el mantenimiento, el usuario debe

- desensamblar,
- limpiar y
- realizar el mantenimiento

del aspirador en la medida de lo posible sin que suponga un peligro para el personal de mantenimiento y otras personas.

### Medidas de seguridad

Las medidas de seguridad adecuadas incluyen

- limpieza previa al desmontaje,
- tomar precauciones para la ventilación forzada y filtrada del entorno en el que se desmonta el aspirador,
- limpieza del área de mantenimiento y
- equipos de protección personal adecuado.

### Medidas de seguridad para los aspiradores de las clases H y M

Se recomienda limpiar la parte exterior del aspirador mediante un procedimiento de aspiración de polvo o tratarla con material de sellado antes de retirarlo del área peligrosa. Es preciso considerar que todas las piezas del aspirador se encuentran contaminadas al extraerlas del área peligrosa y realizar una manipulación adecuada para evitar que el polvo se difunda.

### Objetos contaminados

Al realizar trabajos de mantenimiento o reparaciones es necesario eliminar todos los objetos contaminados que no sea posible limpiar de forma satisfactoria. Es necesario eliminar dichos objetos en bolsas herméticas, de acuerdo a las disposiciones aplicables para la eliminación de este tipo de residuos.

### 11.1 Prueba de la eficacia del aspirador

Por lo menos una vez al año, el fabricante o una persona instruida debe realizar una inspección técnica incluyendo filtros, hermeticidad del aspirador y mecanismos de control.

Además, la eficacia de las aspiradoras con clase de polvo H y H-asbestos debe comprobarse al menos una vez al año o con mayor frecuencia. El método de prueba, que puede utilizarse para demostrar la eficacia del dispositivo, se define en la norma EN 60335-2-69 AA.22.201.2. Si la prueba no se pasa, debe repetirse con un nuevo filtro principal.

Debe existir en el local un *caudal de intercambio de aire L* suficiente si la salida de aire del local disminuye. Consulte otras indicaciones en las disposiciones para su país.

Si la potencia de aspiración del aspirador disminuye y la limpieza de los cartuchos de filtro en fuelle no aumenta dicha potencia de aspiración (suponiendo que se ha vaciado el recipiente y se ha cambiado la bolsa de filtro de lana), será necesario cambiar los

cartuchos de filtro en fuelle (véanse la sección „8.1 Cambio de los cartuchos de filtro plegados“ auf Seite 30).

## 12 Limpieza

### NOTA

Los ácidos, la acetona y los disolventes pueden dañar las piezas del aspirador.

- ▷ Limpie el recipiente y los accesorios con agua.
- ▷ Limpie la parte superior con un paño húmedo.
- ▷ Deje que el recipiente y los accesorios se sequen.

## 13 Reparar

### ⚠ ¡ADVERTENCIA!

- ▷ Si las reparaciones se realizan de forma no profesional, los aspiradores pueden suponer un peligro para el usuario.
- ▷ Encargue las reparaciones exclusivamente a profesionales, p. ej. servicio de atención al cliente. Utilice solo piezas de repuesto originales.

## 14 Localización de averías y reparación

### NOTA

Las averías no siempre se pueden trazar hasta los defectos en el aspirador.

Fallo	Causa	
La potencia de aspiración cae	Filtro sucio	Limpiar
	Bolsa de filtro llena	Cambiar
	Recipiente lleno	Vaciar
	Filtro protector del motor bloqueado	Limpiar
	Boquilla, tubo o manguera bloqueada	Limpiar
El aspirador no se pone en marcha	El enchufe de red no está en la toma	Enchufe el enchufe de red en la toma
	No hay tensión de red	Comprobar el fusible
	Cable de conexión a la red defectuoso	Reemplazar
	La tapa no está bien cerrada	Cerrar
	Sensor de agua apagado	Vaciar el recipiente
	Aspirador en modo de espera >A< o >RA<	Coloque el conmutador en >I< (consulte „3 Elementos de visualización y control“ auf Seite 26)
El aspirador no se pone en marcha cuando la herramienta se encuentra en el modo >A< o >RA<	Herramienta eléctrica no enchufada en la toma del aspirador	Conecte el enchufe de red en la toma del aspirador
	Válvula solenoide de la unidad de encendido-apagado neumático*contaminada	Enjuague con alcohol
La bolsa de vaciado y eliminación de PE se aspira contra el filtro	Posición incorrecta de la válvula giratoria	Coloque la válvula giratoria en la posición OPEN ▲ (consulte „7.4 Inserte la bolsa de vaciado y eliminación de PE**“ auf Seite 29)

\* depende de la variante del equipo

Fallo	Causa	
Aspirador con clases de polvo M o H: con la bolsa filtrante insertada, el polvo se acumula en el recipiente	Posición incorrecta de la válvula giratoria	Coloque la válvula giratoria en la posición CLOSE ▲ (consulte „7.3 Inserte la bolsa de filtro de lana“ auf Seite 29)
El indicador de nivel de llenado se ilumina	filtro bloqueado	limpiar o cambiar
	la manguera de succión está bloqueada	limpiar
	el contenedor está lleno	Vaciar

No intente nada más, contacte con los departamentos de atención al cliente.

## 15 Datos técnicos

Tipo: IS		S 11
Tensión	V	110-120
Frecuencia	Hz	50/60
Potencia nominal	W	1200
Potencia máx.	W	1400
Flujo de aire*	l/s (m³/h)	74 (266)
Vacío*	hPa/MG	234
Flujo de aire**	l/s (m³/h)	35 (126)
Vacío**	hPa/SE	200
Nivel de ruido	dB(A)	69
Peso	kg	11,5
Dimensiones l x a x a	cm	45 x 39 x 49

\* en el ventilador

\*\* en la manguera

Potencia máx. de los aspiradores con enchufe: 400 Watt (120V~)

Cable de conexión a la red en aspiradores de clase de polvo L con enchufe: SJOW 3x16

## 16 Pruebas y aprobaciones

Deben realizarse las comprobaciones electrotécnicas conforme a la normativa y a la norma de prevención de accidentes (DGUV V3), así como DIN VDE 0701 parte 1 y parte 3. Dichas comprobaciones son necesarias conforme a DIN VDE 0702 a intervalos regulares y después de cada reparación o modificación.

Los aspiradores han sido sometidos a prueba con éxito conforme a IEC/EN 60335–2–69.

### NOTA

Los aparatos usados contienen materiales valiosos, adecuados para el reciclaje. **No elimine el aspirador junto con la basura doméstica normal**, en su lugar, elimínelo a través de los sistemas adecuados de recogida de residuos, p. ej. a través de su punto municipal de recogida de residuos.













[www.husqvarnacp.com](http://www.husqvarnacp.com)

1142095-49

2020-04-06