

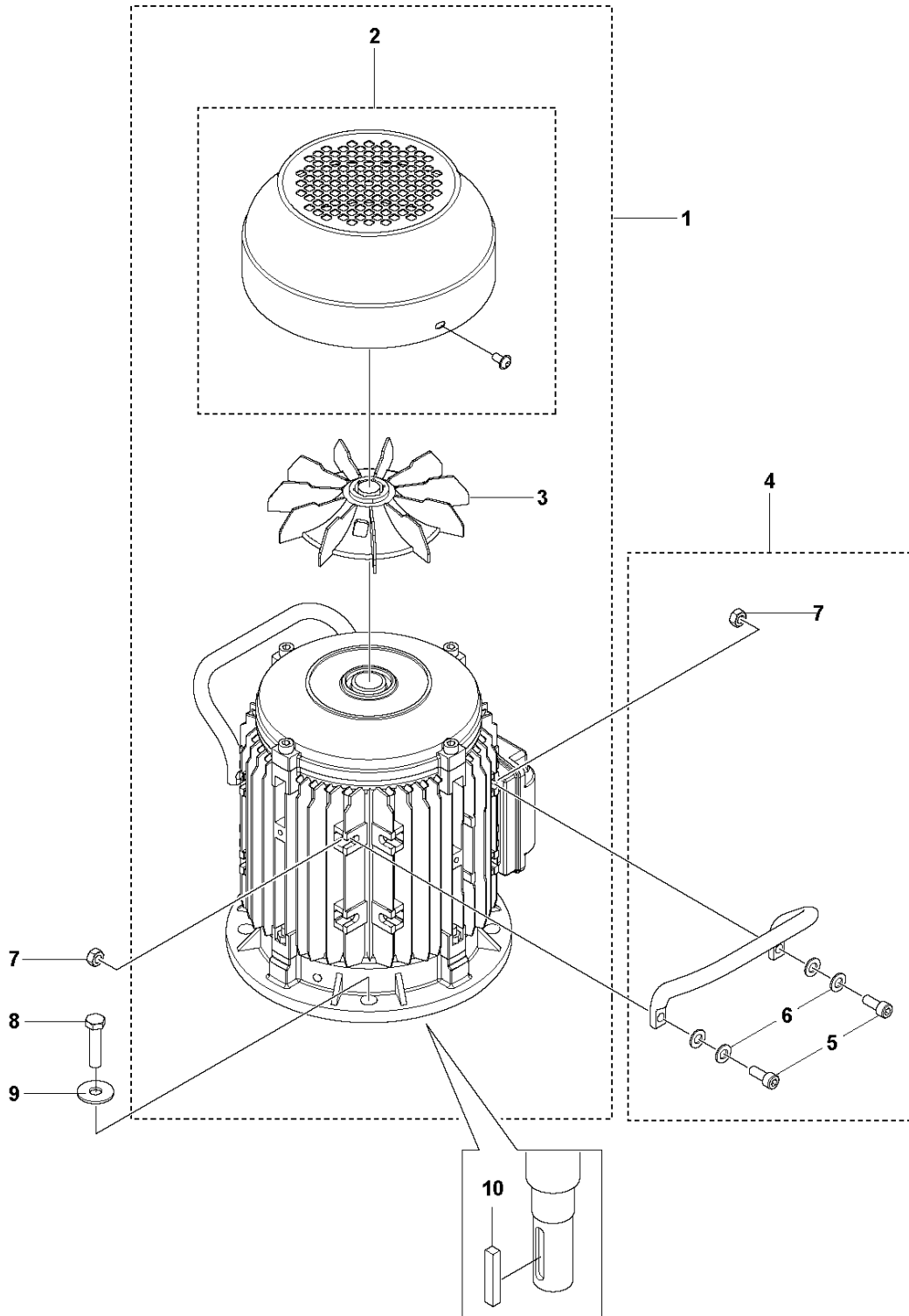


SPARE PARTS LIST

SURFACE PREPARATION EQUIPMENT

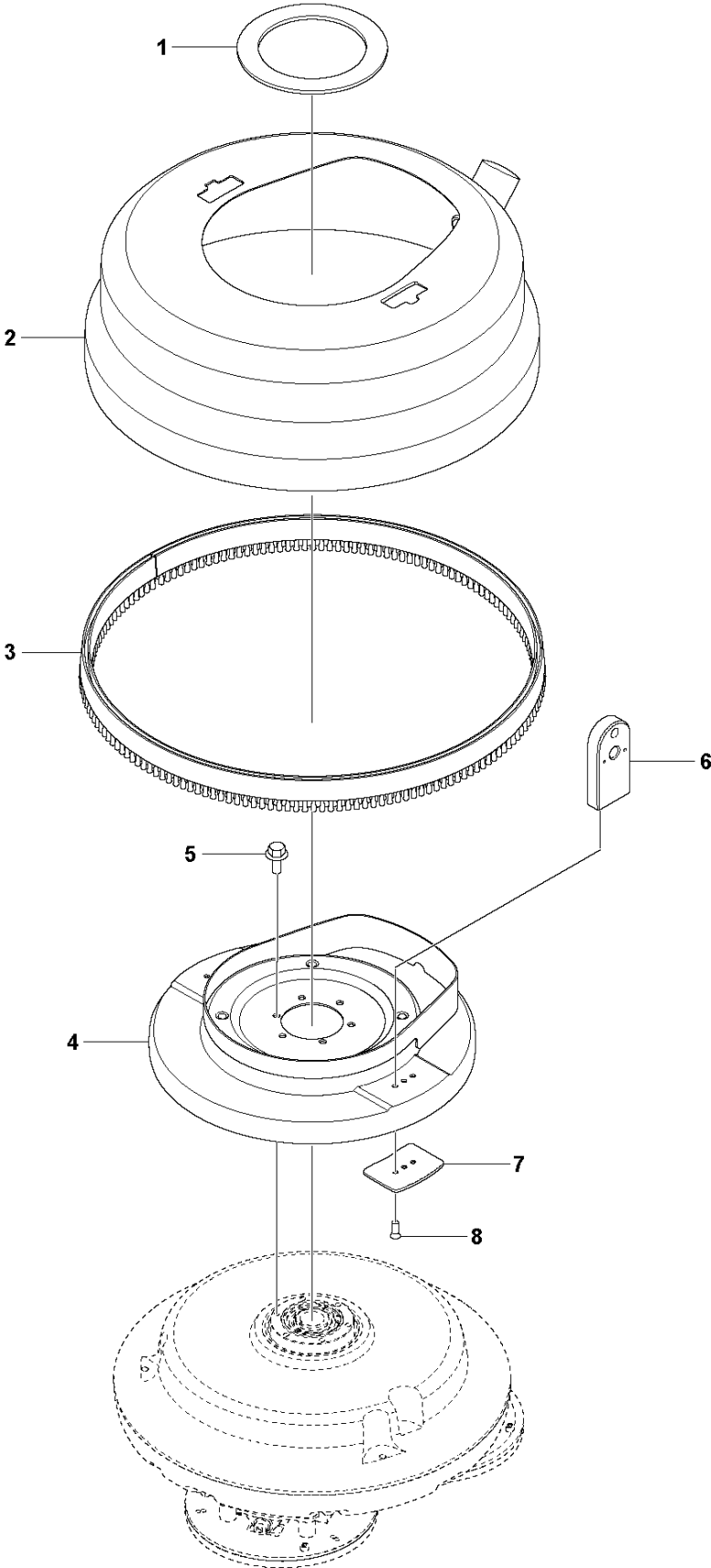
PG 510, 2019-10

A PG 510
MOTOR



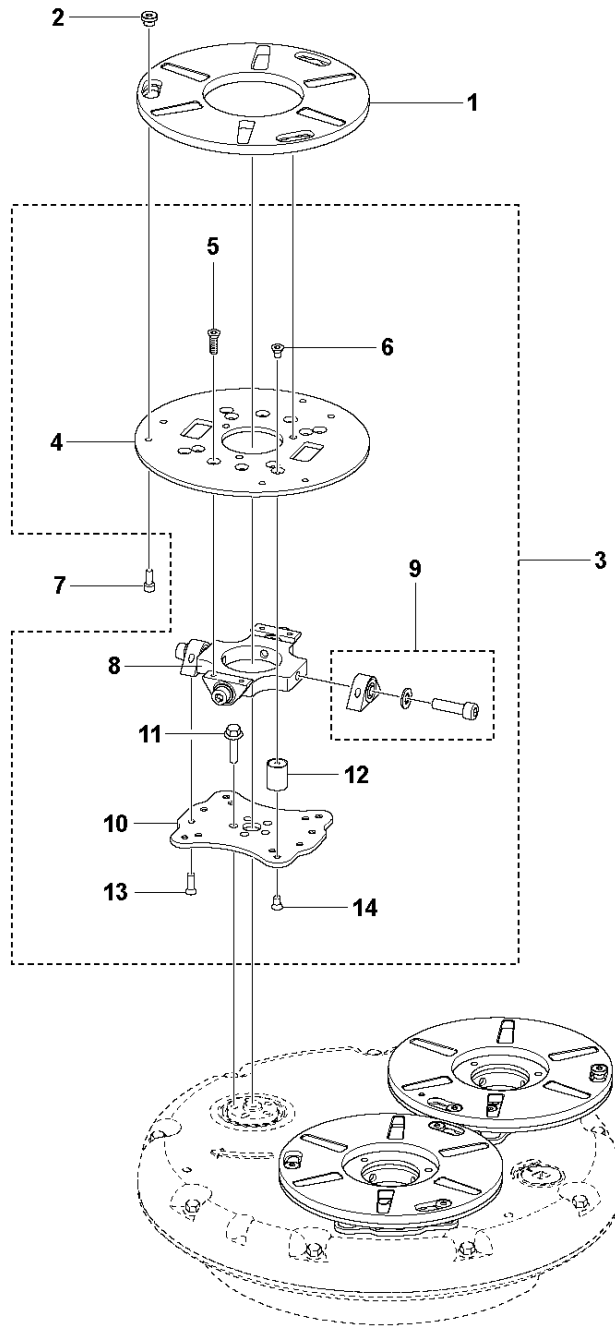
Ref	Part No	Description	Remark	QTY KIT	
1	585 19 19-01	MOTOR		1	
1	585 19 19-02	MOTOR		1	
1	585 19 22-01	MOTOR		1	
1	585 19 21-01	MOTOR		1	
2	598443801	TBD		1	1
3	587 18 47-01	SPRING		1	1
4	598443901	TBD		2	
5	725 54 53-01	SCREW IHSCM		4	4
6	734 11 63-01	WASHER		8	4
7	731 23 18-01	HEXAGON NUT		4	4
8	731 23 18-01	HEXAGON NUT		4	
9	725 25 42-71	SCREW EHHM		4	
10	734 11 78-01	WASHER		4	

B PG 510
GRINDING COVER



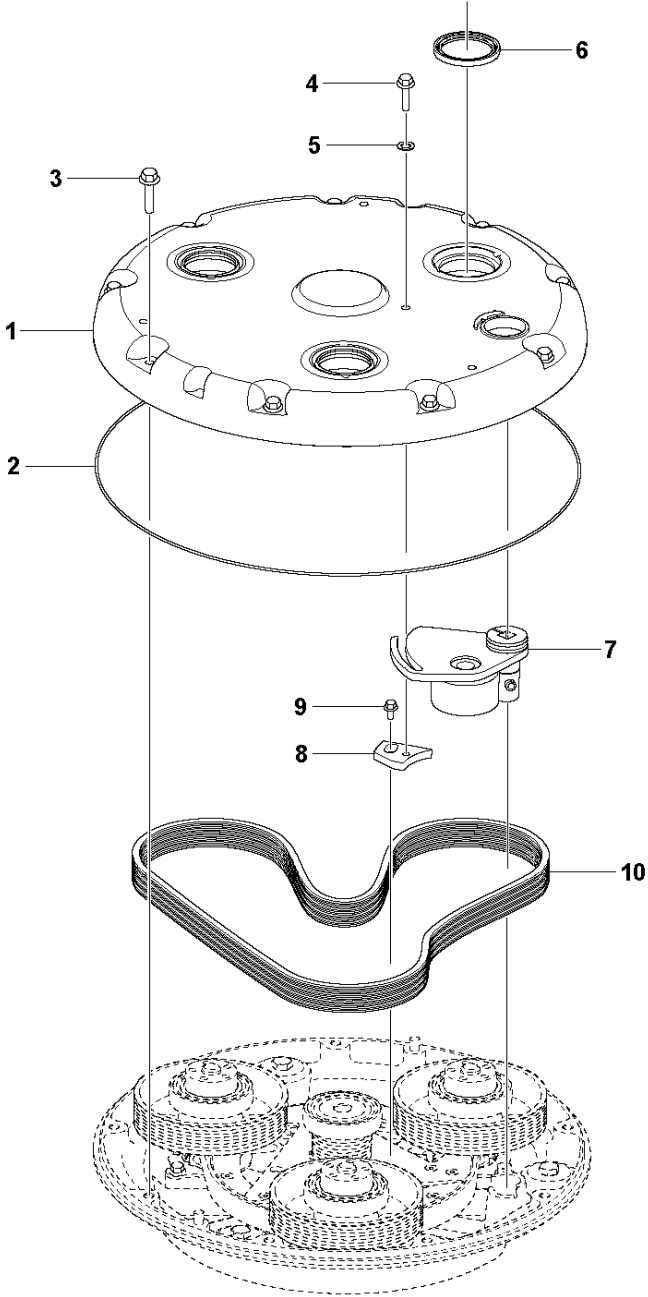
Ref	Part No	Description	Remark	QTY KIT
1	595 72 34-01	MOTOR		1
2	596 92 16-01	DUST COVER		1
3	593 44 61-03	STRIP		1
4	596 88 43-01	MOUNTING PLATE		1
5	593 51 35-01	SCREW		6
6	585 54 03-03	BRACKET		2
7	596 88 46-01	PLATE		2
8	725 63 70-51	SCREW IHCSFM		6

C PG 510
GRINDING HEAD LOWER



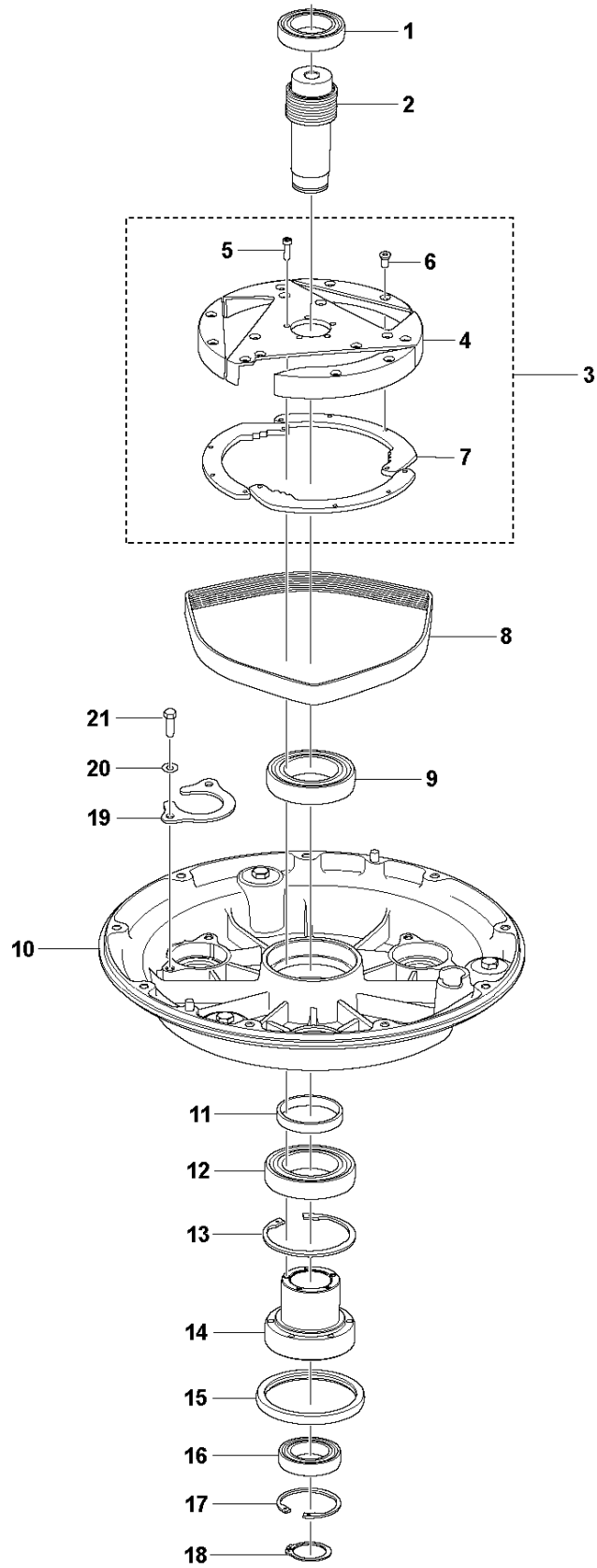
Ref	Part No	Description	Remark	QTY	KIT
1	502 54 58-01	HOLDER		3	
2	587 45 14-01	LOCK		9	
3	597 25 48-01	HOLDER		3	
4	597550701	TBD		3	
5	593 50 51-01	SCREW		12	3
6	593 50 12-01	SCREW		12	3
7	725 53 68-51	SCREW IHSCM		9	
8	593 53 62-01	COUPLING		3	3
9	598444101	TBD		12	3
10	597550601	TBD		3	3
11	593 51 35-01	SCREW		15	3
12	595 74 84-01	ABSORBER		12	3
13	593 50 51-01	SCREW		12	3
14	593 50 12-01	SCREW		12	3

D PG 510
GRINDING HEAD INTERNAL & UPPER



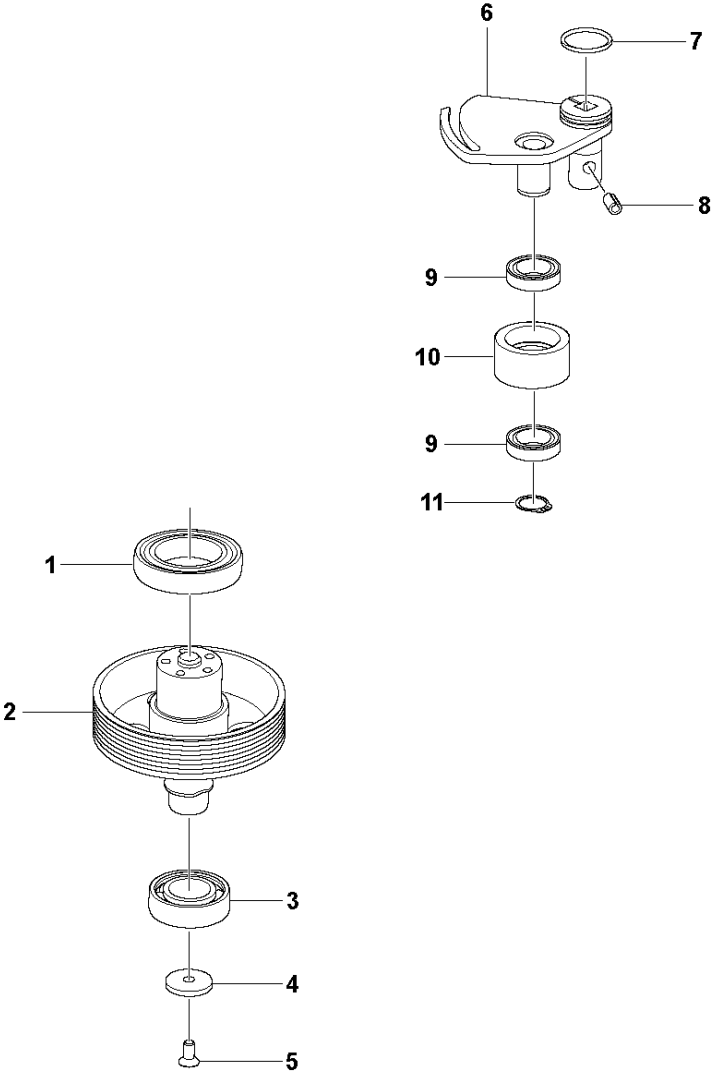
Ref	Part No	Description	Remark	QTY KIT
1	595 76 22-02	HOUSING		1
2	595 66 70-01	O-RING		1
3	595 68 10-01	SCREW		9
4	593 51 36-01	SCREW		1
5	595 68 33-01	WASHER		1
6	595 66 67-01	SHAFT		3
7	595 71 58-01	TENSIONER		1
8	595 76 33-01	TENSIONER		1
9	595 68 02-01	SCREW		1
10	595 66 55-01	BELT		1

E PG 510
CENTER HUB ASSY



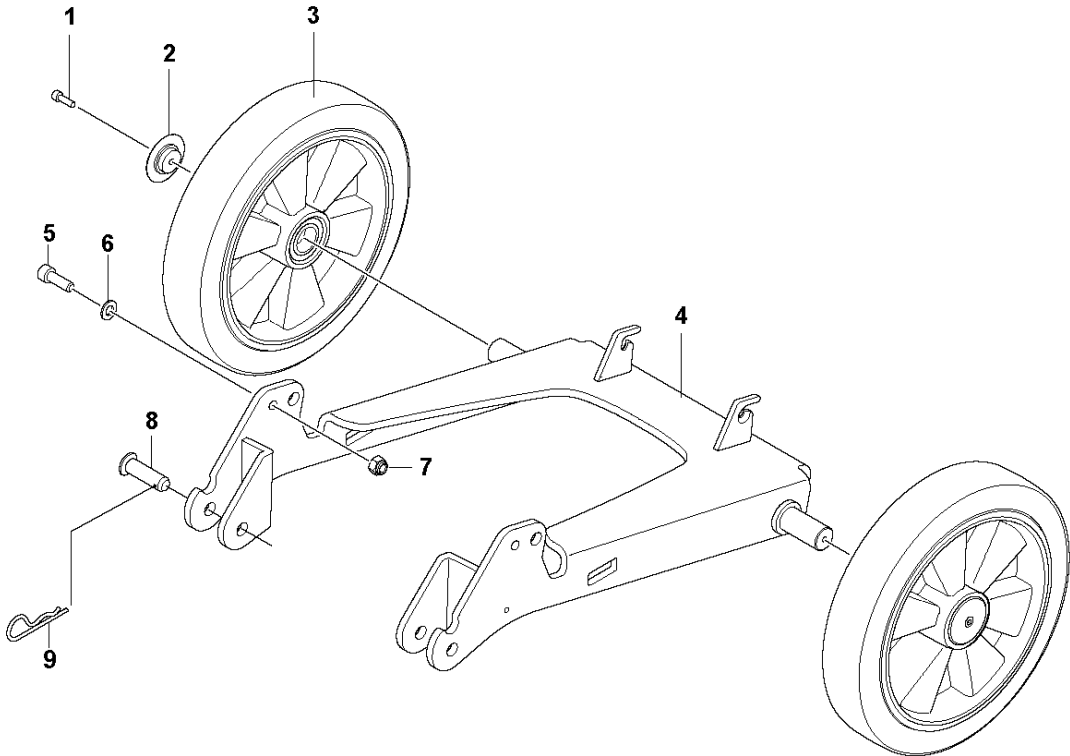
Ref	Part No	Description	Remark	QTY	KIT
1	595 66 62-01	BALL		1	
2	595 76 31-02	PULLEY		1	
3	595 76 27-01	PULLEY		1	
4	595 76 27-01	PULLEY		1	3
5	593 51 42-01	SCREW		5	3
6	593 50 96-01	SCREW		12	3
7	596 64 57-01	PLATE		1	3
8	595 68 32-01	PIN		1	
9	595 66 61-01	BALL		1	
10	595 76 23-02	HOUSING		1	
11	595 76 30-01	SPACER		1	
12	595 66 61-01	BALL		1	
13	593 50 30-01	CIRCLIP		1	
14	595 76 29-01	HUB		1	
15	595 66 68-01	SHAFT		1	
16	595 66 63-01	BALL		1	
17	593 51 32-01	CIRCLIP		1	
18	593 49 86-01	CIRCLIP		1	
19	595 71 60-01	SHAFT		1	
20	595 76 32-01	WASHER		1	
21	593 51 35-01	SCREW		2	

F PG 510
PULLEY AND AXLES



Ref	Part No	Description	Remark	QTY KIT
1	595 66 64-01	BALL		1
2	595 76 24-02	SHAFT		1
3	595 66 65-01	BALL		1
4	595 71 59-01	WASHER		1
5	593 50 78-01	SCREW		1
6	595 76 25-02	TENSIONER		1
7	593 48 78-01	O-RING		1
8	595 68 11-01	SPRING		1
9	595 66 66-01	BALL		2
10	595 76 26-01	PULLEY		1
11	593 49 68-01	CIRCLIP		1

G PG 510
CHASSIS

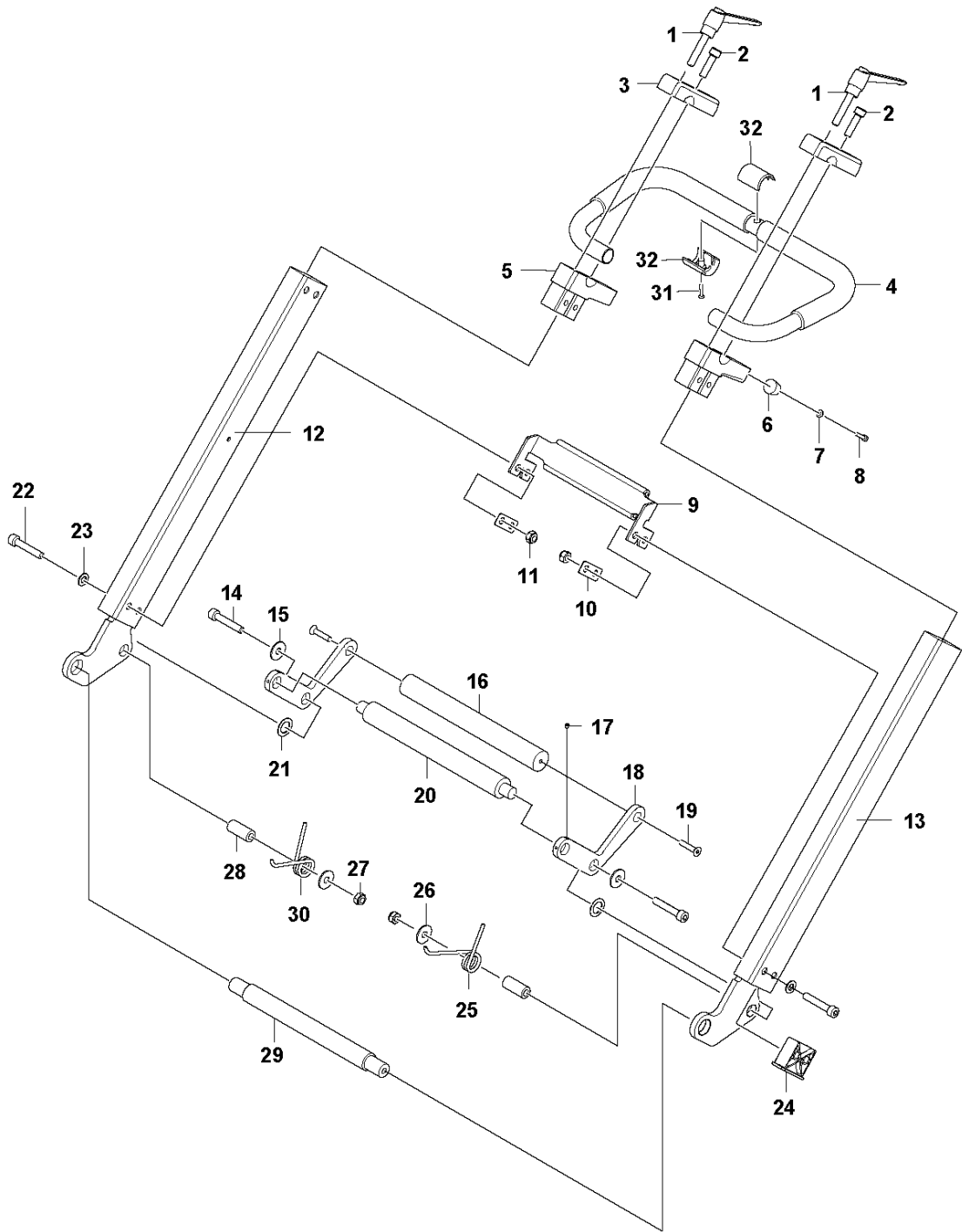


CHASSIS

PG 510, 2019-10

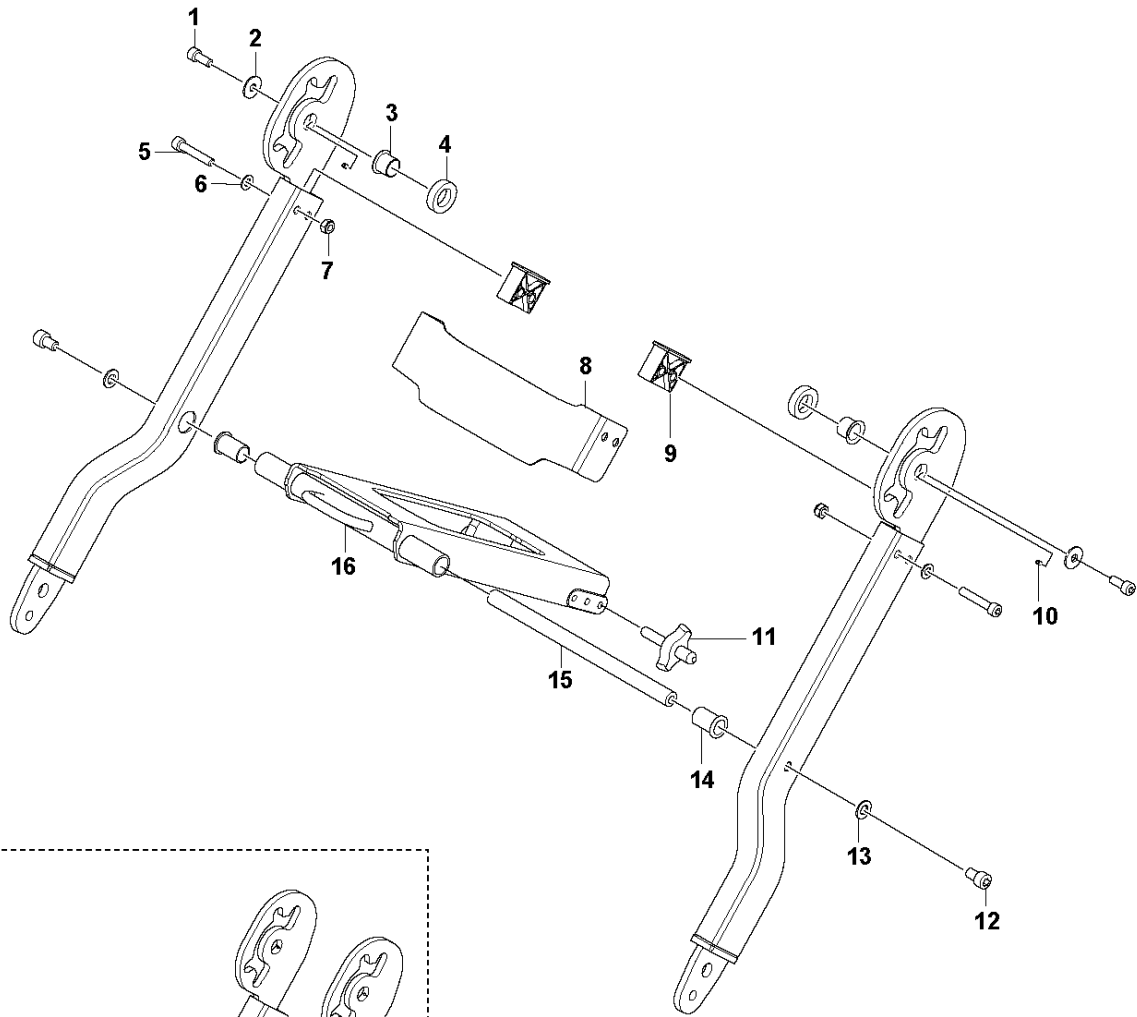
Ref	Part No	Description	Remark	QTY KIT
1	725 53 70-51	SCREW IHSCM		2
2	575 39 51-01	WASHER		2
3	502 54 50-01	WHEEL		2
4	585 10 92-03	FRAME ASSY		1
5	725 54 95-01	SCREW IHSCM		2
6	734 11 72-01	WASHER		2
7	732 25 20-01	HEXAGON LOCKING NUT		2
8	721 85 68-01	CLEVIS PIN		2
9	721 68 02-51	SPRING COTTER		2

H PG 510
FRAME

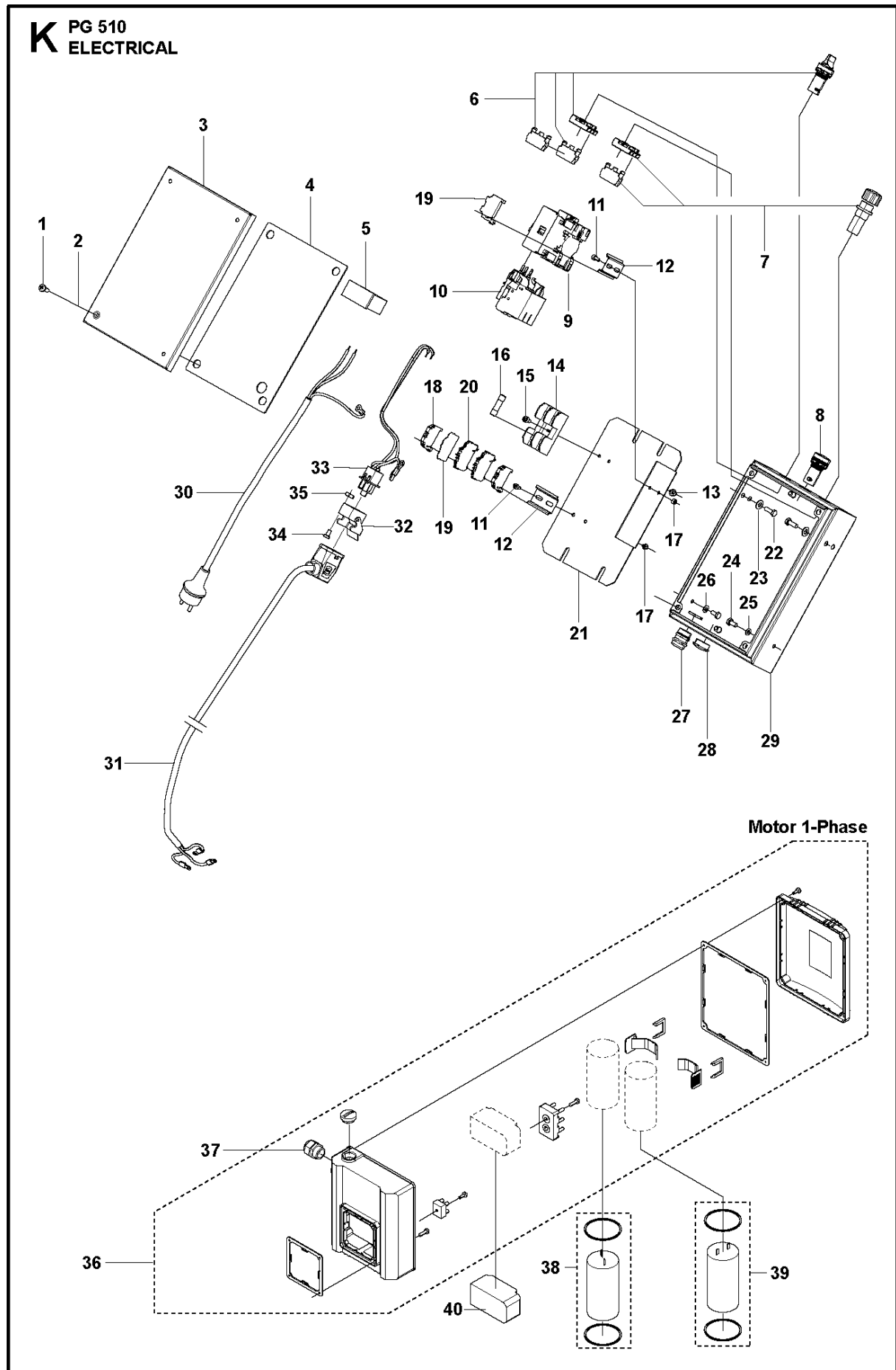


Ref	Part No	Description	Remark	QTY KIT
1	585 12 92-01	LOCKING HANDLE		2
2	725 54 55-21	SCREW IHSCM		2
3	585 51 66-01	BRACKET		2
4	585 14 40-01	HANDLE		1
5	585 51 67-01	BRACKET		2
6	585 51 68-01	RUBBER SHOE		2
7	734 11 36-01	WASHER		2
8	725 52 95-01	SCREW IHSCM		2
9	585 38 28-04	BRACKET		1
10	585 38 31-01	WASHER		2
11	732 21 18-01	LOCK NUT		4
12	585 57 35-09	FORK		1
13	585 57 35-10	FORK		1
14	725 54 61-01	SCREW IHSCM		2
15	734 11 65-41	WASHER		2
16	585 13 37-04	HANDLE		1
17	728 82 85-01	SCREW IHSETM		4
18	585 13 33-01	PLATE		2
19	725 63 74-51	SCREW		2
20	585 13 38-01	ROD		1
21	585 41 62-01	WASHER		2
22	725 54 60-01	SCREW IHSCM		4
23	734 11 63-01	WASHER		4
24	585 13 29-01	SPACER		2
25	585 41 61-01	SPRING		1
26	734 11 65-41	WASHER		2
27	732 21 18-01	LOCK NUT		2
28	585 38 33-02	SLEEVE		2
29	585 13 36-01	TUBE		1
30	585 41 73-01	SPRING		1
31	729 52 61-71	SCREW CRPANT		1
32	587 15 85-01	COVER		2

J PG 510
FRAME



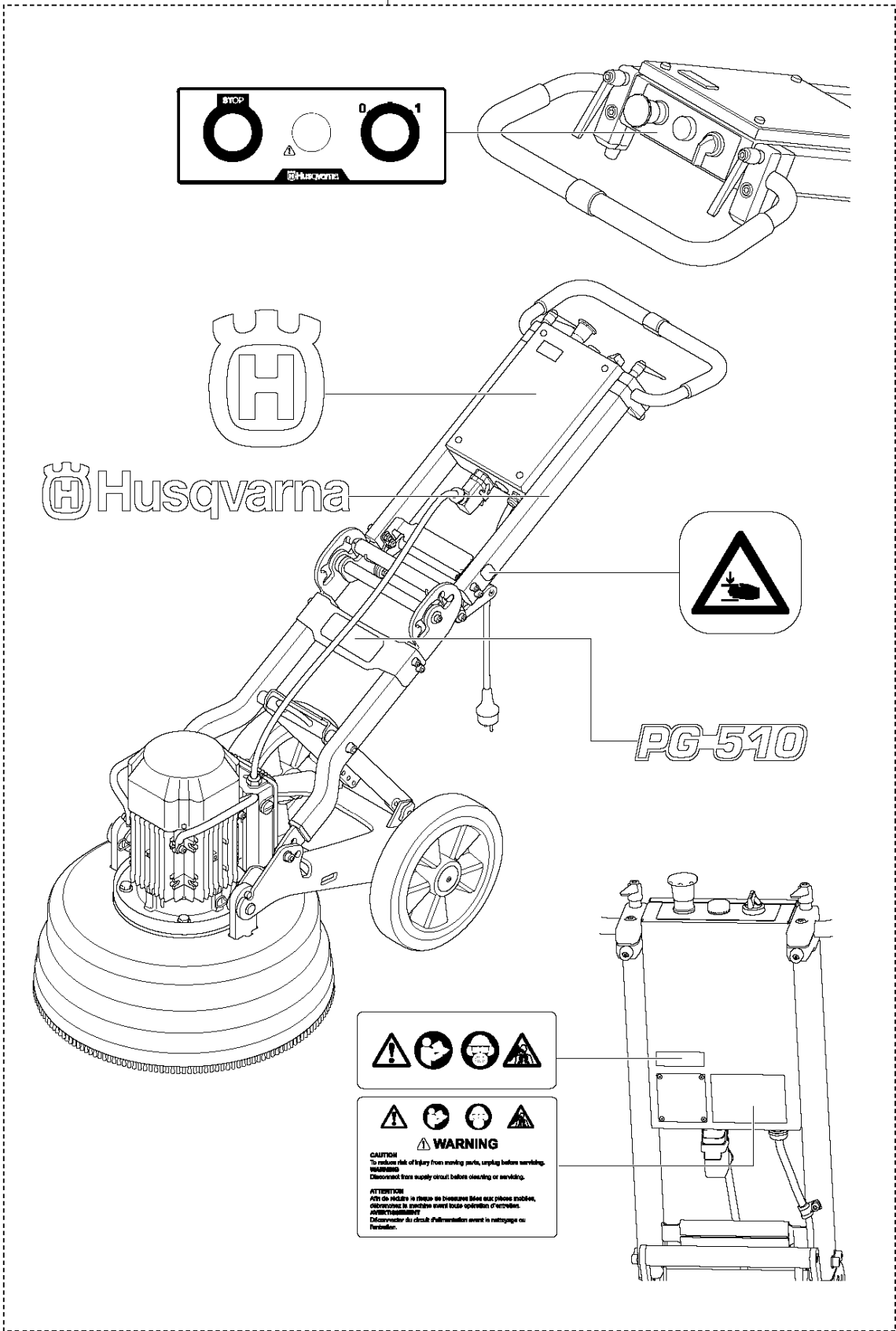
Ref	Part No	Description	Remark	QTY KIT
1	725 54 51-01	SCREW IHSCM		2
2	734 11 65-41	WASHER		2
3	585 41 60-01	BUSH		2
4	585 13 35-01	SPACER		2
5	725 54 60-01	SCREW IHSCM		4
6	734 11 63-01	WASHER		4
7	732 21 18-01	LOCK NUT		4
8	585 38 30-01	BRACKET		1
9	585 13 29-01	SPACER		2
10	728 82 85-01	SCREW IHSETM		4
11	590 47 22-01	WING KNOB		2
12	725 54 91-01	SCREW IHSCM		2
13	734 11 72-01	WASHER		2
14	585 12 91-01	BUSH		2
15	585 12 90-02	TUBE		1
16	585 10 97-02	SUPPORT		1
17	593 89 71-03	FRAME TUBE		1



Ref	Part No	Description	Remark	QTY KIT
1	724 13 68-51	SCREW CRPANM		4
2	521 88 66-01	RIVET		4
3	586 47 43-01	LID		1
4	586 46 70-02	SEALING		1
5	584 29 63-01	HOUR METER		1
6	586 99 15-01	SWITCH KIT		1
7	586 99 16-01	SWITCH KIT		1
8	584 29 71-01	LAMP	230V	1
8	584 29 71-02	LAMP	110V	1
9	585 36 58-01	CONTACTOR	200-230V, 50/60Hz	1
9	585 36 58-02	CONTACTOR	100-120V, 60Hz	1
9	586 99 18-01	CONTACTOR	100-120V, 50Hz	1
10	584 29 78-01	RELAY	220-240V, 60Hz	1
10	580 62 35-02	PROTECTION	220-240V, 50Hz	1
10	580 62 35-01	PROTECTION	100-120V, 60Hz	1
10	584 29 78-05	RELAY	100-120V, 50Hz	1
11	725 53 25-01	SCREW IHSCM		4
12	522 74 70-01	RAIL		2
13	731 23 16-01	HEXAGON NUT		1
14	525 88 26-01	FUSE HOLDER		1
15	725 53 64-55	SCREW IHSCM		1
16	525 63 81-01	FUSE		2
17	732 25 14-01	HEXAGON LOCKING NUT		4
18	585 36 61-05	TERMINAL BLOCK		3
19	585 36 61-03	TERMINAL BLOCK		1
19	585 36 61-07	TERMINAL BLOCK	US 100-120V	1
20	585 61 35-01	TERMINAL BLOCK		1
20	585 36 61-01	TERMINAL BLOCK	US 120V	1
21	590 07 58-01	MOUNTING PLATE		1
22	725 24 51-71	SCREW EHHM		4
23	734 11 63-01	WASHER		4
24	725 23 66-51	HEXAGONAL SCREW M6X12		2
25	734 11 52-01	WASHER		1
26	735 21 53-01	LOCKWASHER		1
27	510 43 17-01	CABLE GROMMET		1
27	587 10 12-01	GROMMET	US120V	1
28	586 58 69-01	PLUG		1
28	586 58 69-02	PLUG	US only	1
29	582 50 69-03	ELECTRONIC BOX		1
30	586 23 68-03	CABLE		1
30	586 23 68-02	CABLE	AUS	1
30	586 23 68-08	CABLE	BR	1
30	586 23 68-12	CABLE	US, 120V	1
30	586 23 68-13	CABLE	US 240V	1
31	585 63 81-03	CABLE		1
31	585 63 81-10	CABLE	US/CAN, 240V	1
31	585 63 81-11	CABLE	US/CAN, 120V	1
32	585 36 66-05	CONNECTOR		1
33	590 50 35-01	CONNECTOR		1
34	725 52 24-01	SCREW		2
35	732 25 10-01	HEXAGON LOCKING NUT		2
36	587 17 39-01	ELECTRONIC BOX		1
37	510 43 17-02	CABLE GROMMET		1
37	587 10 12-01	GROMMET	US120V	1
38	587 17 45-01	CAPACITOR	230V, 50/60Hz	1
38	587 17 45-02	CAPACITOR	110V, 50/60Hz	1
39	587 17 44-01	CAPACITOR	230V, 50Hz	1
39	587 17 44-02	CAPACITOR	230V, 60Hz	1
39	587 17 44-03	CAPACITOR	110V, 50/60Hz	1
40	587 17 43-01	SWITCH	230V, 50Hz	1
40	587 17 43-02	SWITCH	208-230V, 60Hz	1
40	587 17 43-03	SWITCH	110V, 50/60Hz	1

L PG 510
DECALS

1



Ref	Part No	Description	Remark	QTY KIT
1	597 24 87-07	DECAL SYSTEM		1