

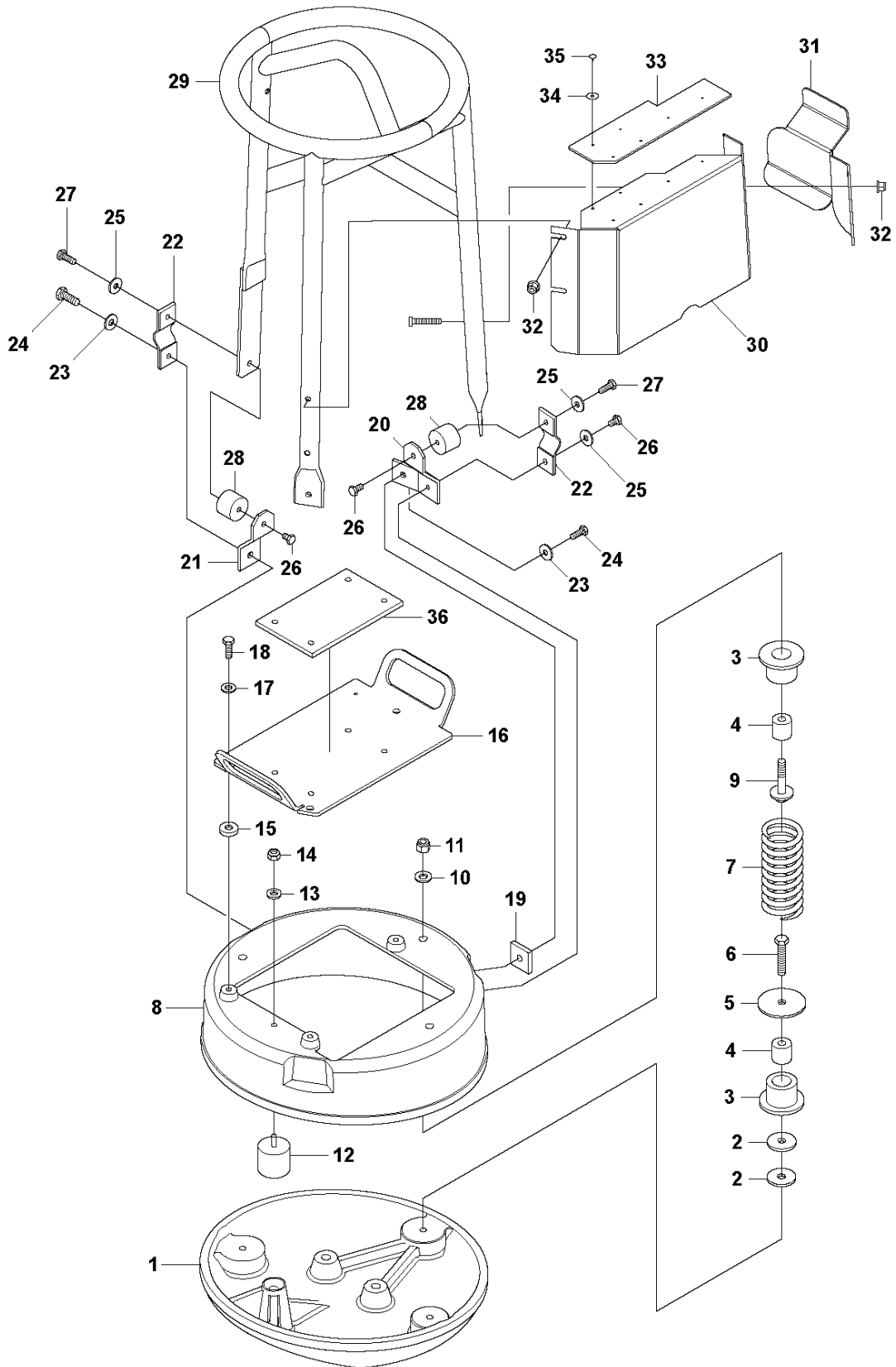


SPARE PARTS LIST

LIGHT COMPACTION

LX 90, 967897101, 2019-06

A LX 90
BASE PLATE

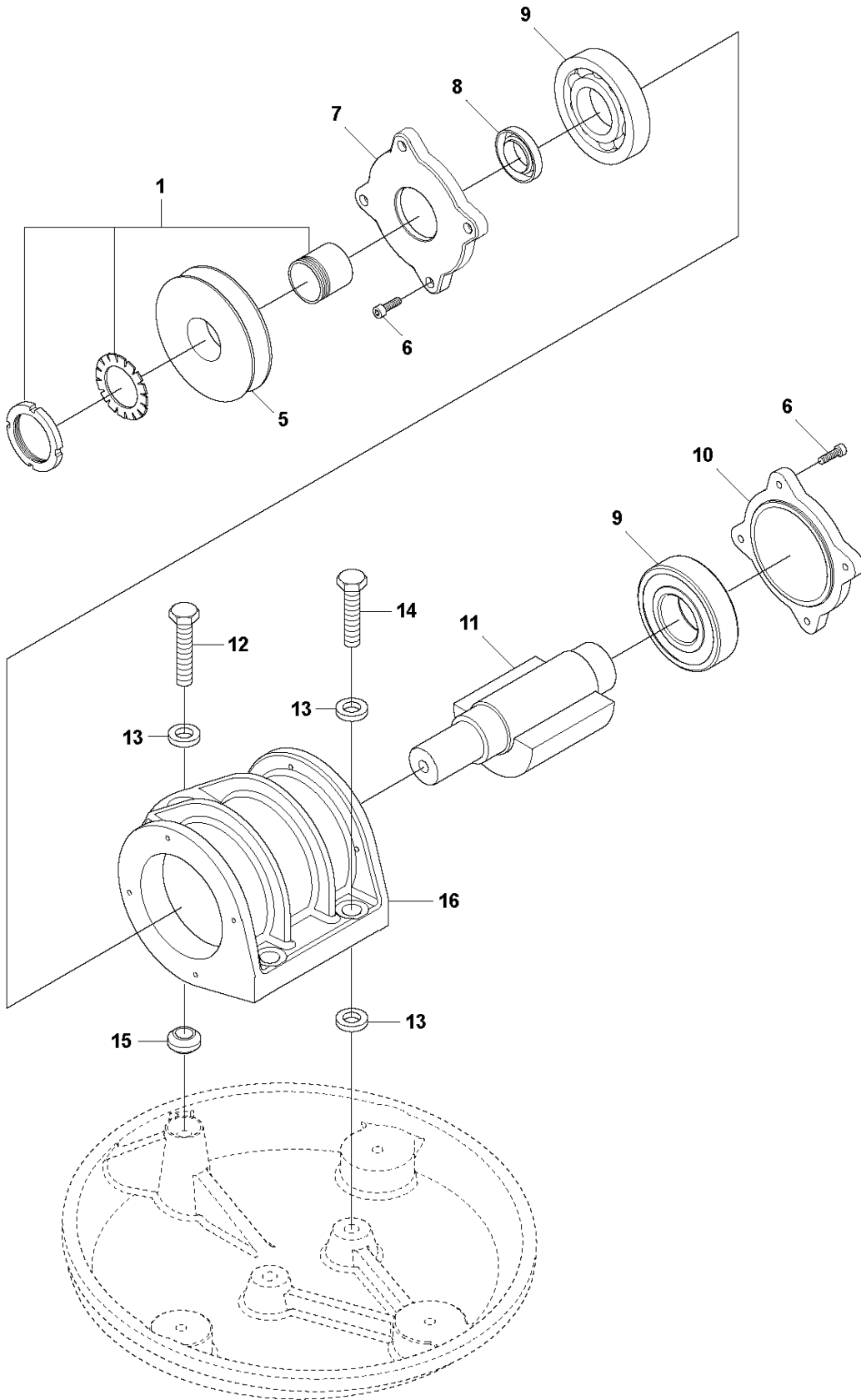


BASE PLATE

LX 90, 967897101, 2019-06

| Ref | Part No | Description | Remark | QTY KIT |
|-----|--------------|--------------|---------------------------------------|---------|
| 1 | 595 05 24-01 | PLATE | | 1 |
| 2 | 594 15 70-01 | WASHER | | 5 |
| 3 | 594 15 68-01 | BUSHING | | 6 |
| 4 | 594 15 69-01 | SPACER | | 6 |
| 5 | 594 51 48-01 | WASHER | | 3 |
| 6 | 594 11 93-01 | BOLT | M12x60 mm 8.8 A3K | 3 |
| 7 | 594 34 62-01 | SPRING | | 3 |
| 8 | 594 15 57-01 | ENGINE | | 1 |
| 9 | 594 15 72-01 | SCREW | | 3 |
| 10 | 595 06 68-01 | WASHER | 13x24x2 mm 300 HV | 3 |
| 11 | 595 11 27-01 | NUT | | 3 |
| 12 | 594 15 67-01 | ABSORBER | | 1 |
| 13 | 595 06 66-01 | WASHER | 8.4x 6x1.5 mm 300HV | 1 |
| 14 | 595 35 23-01 | NUT | M8 | 1 |
| 15 | 595 06 76-01 | WASHER | 10.5x28x6 mm | 3 |
| 16 | 595 45 34-01 | ENGINE PLATE | | 1 |
| 17 | 595 06 67-01 | WASHER | | 3 |
| 18 | 595 07 11-01 | SCREW | | 3 |
| 19 | 595 46 69-01 | WASHER | 14 x 40 x 4 mm, 0.55 x 1.57 x 0.16 | 1 |
| 20 | 594 15 71-01 | BRACKET | | 1 |
| 21 | 594 15 66-01 | BRACKET | | 2 |
| 22 | 594 15 58-01 | STRAP | | 3 |
| 23 | 595 06 74-01 | WASHER | 10.5x22x4 mm 300 HV | 3 |
| 24 | 595 05 44-01 | SCREW | M10x30 | 3 |
| 25 | 595 11 29-01 | WASHER | 8.4x26x4 mm 300 HV | 4 |
| 26 | 596 88 97-07 | SCREW | | 4 |
| 27 | 595 05 54-01 | SCREW | M8x20 mm 8.8 A2K | 3 |
| 28 | 594 42 90-01 | ABSORBER | | 3 |
| 29 | 594 17 46-01 | HANDLE | | 1 |
| 30 | 594 96 09-01 | BELT GUARD | | 1 |
| 31 | 594 34 52-01 | GUARD | | 1 |
| 32 | 594 12 30-01 | LOCK NUT | M8x1.25 mm A2K | 4 |
| 33 | 594 15 75-01 | SHROUD | | 1 |
| 34 | 595 18 91-01 | WASHER | 5x19x1 mm Expired/Eliminated | 6 |
| 35 | 595 18 77-01 | RIVET | | 6 |
| 36 | 594 15 73-01 | ABSORBER | | 1 |

B LX 90
ECCENTRIC ELEMENT

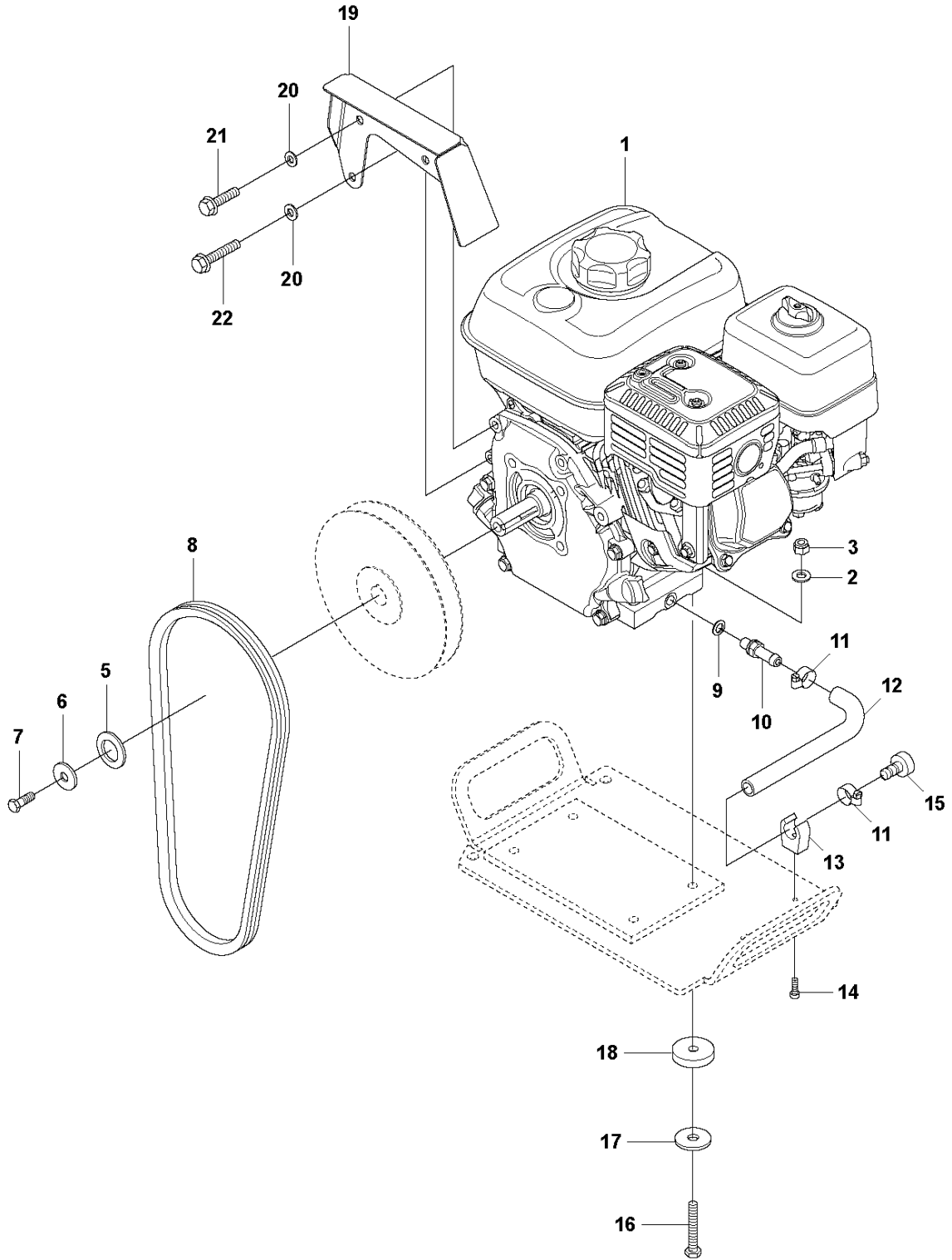


ECCENTRIC ELEMENT

LX 90, 967897101, 2019-06

| Ref | Part No | Description | Remark | QTY KIT |
|-----|--------------|-----------------|--|---------|
| 1 | 594 15 62-01 | CLAMPING SLEEVE | | 1 |
| 5 | 594 15 64-01 | PULLEY | | 1 |
| 6 | 595 34 80-01 | SCREW | M6 x 20 mm 8.8 A2K | 8 |
| 7 | 595 12 20-01 | COVER | | 1 |
| 8 | 595 04 46-01 | SEALING RING | | 1 |
| 9 | 594 15 61-01 | BALL BEARING | | 2 |
| 10 | 595 12 19-01 | COVER | | 1 |
| 11 | 594 15 63-01 | SHAFT | | 1 |
| 12 | 595 07 05-01 | SCREW | M16 x 75 mm 10.9 GEOMET® | 1 |
| 13 | 595 06 75-01 | WASHER | 17 x 30 x 6 mm, 0.70 x 1.18 x 0.24 in. 300 HV | 5 |
| 14 | 595 07 03-01 | SCREW | M16 x 65 mm 10.9 GEOMET® | 2 |
| 15 | 595 12 21-01 | WASHER | | 1 |
| 16 | 595 12 18-01 | EXCENTER | | 1 |

C LX 90
ENGINE INSTALLATION

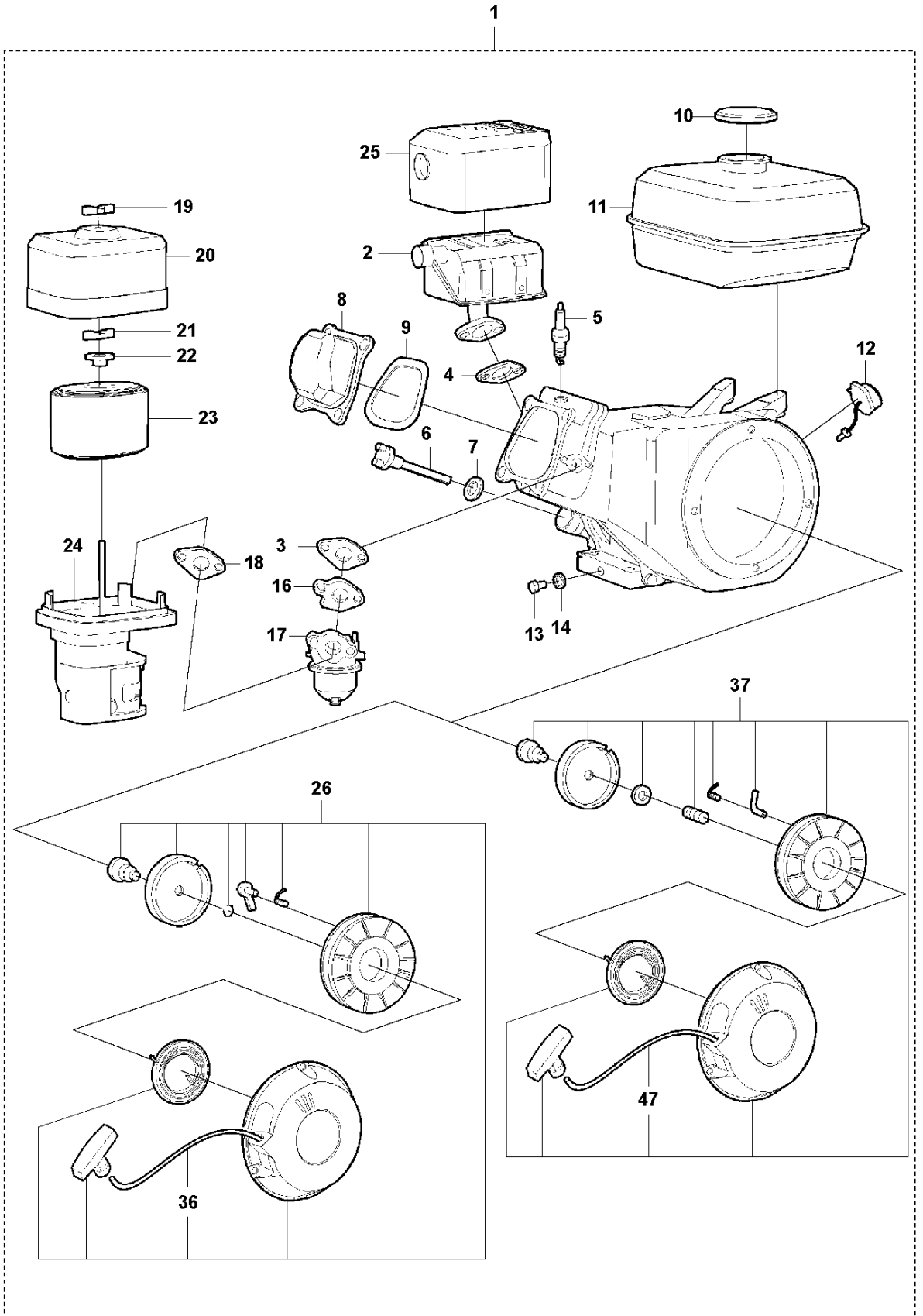


ENGINE INSTALLATION

LX 90, 967897101, 2019-06

| Ref | Part No | Description | Remark | QTY KIT |
|-----|--------------|----------------|--|---------|
| 1 | 594 32 99-01 | ENGINE | Honda GX160UT2 SXS4 SD | 1 |
| 2 | 595 03 66-01 | WASHER | 8.4 x 16 x 1.5 mm, 0.33 x 0.63 x 0.06 in. 300 HV | 4 |
| 3 | 595 35 23-01 | NUT | M8 | 4 |
| 5 | 595 06 70-01 | WASHER | 21 x 36 x 3 mm, 0.83 x 1.42 x 0.24 in. 300 HV | 1 |
| 6 | 595 11 29-01 | WASHER | 8.4 x 26 x 4 mm, 0.33 x 1.02 x 0.16 in. 300 HV | 1 |
| 7 | 594 11 79-01 | SCREW | M8 x 20 mm 8.8 A2K | 1 |
| 8 | 594 29 90-01 | V-BELT | | 1 |
| 9 | 595 29 03-01 | WASHER | 10 x 14 x 1 mm, 0.39 x 0.55 x 0.04 in. | 1 |
| 10 | 594 64 82-01 | HOSE CONNECTOR | | 1 |
| 11 | 595 45 46-01 | CLAMP | 11-18 x 9 mm, 0.43 -0.71 x 0.35 in. | 2 |
| 12 | 594 14 78-01 | HOSE | | 1 |
| 13 | 594 33 10-01 | CLIP | | 1 |
| 14 | 595 03 32-01 | SCREW | M6x16 | 1 |
| 15 | 594 14 73-01 | PLUG | | 1 |
| 16 | 595 05 57-01 | SCREW | M8 x 55 mm 8.8 A2K | 4 |
| 17 | 594 50 16-01 | WASHER | 9 x 35 x 2 mm, 0.35 x 1.38 x 0.08 in. SR | 4 |
| 18 | 594 15 74-01 | WASHER | | 4 |
| 19 | 595 21 31-01 | COVER | | 1 |
| 20 | 595 04 39-01 | WASHER | 8 x 13.5 mm, 0.53 x 0.31 x in. NORD-LOCK® | 7 |
| 21 | 594 12 00-01 | SCREW | M8 x 25 mm 8.8 A2K | 1 |
| 22 | 595 28 71-01 | SCREW | M8x50 | 3 |

D LX 90
ENGINE - HONDA GX 160 UT2 SXS4 OH

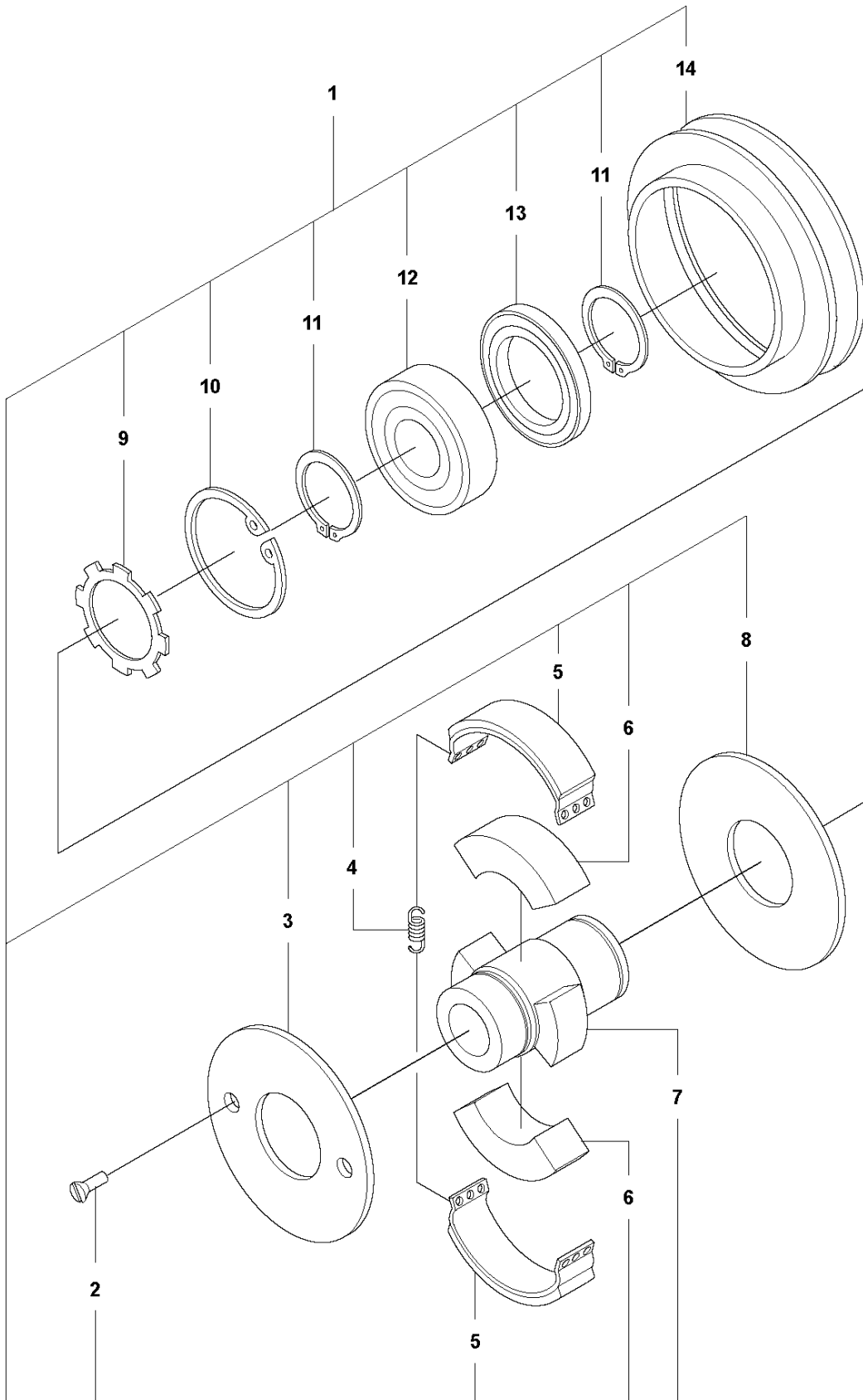


ENGINE

LX 90, 967897101, 2019-06

| Ref | Part No | Description | Remark | QTY | KIT |
|-----|--------------|----------------|---|-----|-------|
| 1 | 594 32 99-01 | ENGINE | Honda GX160UT2 SXS4 SD | 1 | |
| 2 | 594 20 36-01 | INLET SILENCER | | 1 | 1 |
| 3 | 594 20 41-01 | GASKET | | 1 | 1 |
| 4 | 594 30 04-01 | GASKET | | 1 | 1 |
| 5 | 594 20 40-01 | SPARK PLUG | (bpr6es) (ngk) | 1 | 1 |
| 6 | 594 20 38-01 | OIL | | 1 | 1 |
| 7 | 594 20 39-01 | GASKET | | 1 | 1 |
| 8 | 595 47 11-01 | COVER | | 1 | 1 |
| 9 | 595 04 88-01 | GASKET | | 1 | 1 |
| 10 | 594 20 46-01 | FUEL CAP | | 1 | 1 |
| 11 | 594 20 45-01 | FUEL TANK | | 1 | 1 |
| 12 | 594 20 44-01 | STOP | | 1 | 1 |
| 13 | 595 45 28-01 | PLUG | | 1 | 1 |
| 14 | 595 04 89-01 | GASKET | | 1 | 1 |
| 16 | 594 57 26-01 | GASKET | | 1 | 1 |
| 17 | 594 20 37-01 | CARBURETTOR | | 1 | 1 |
| 18 | 595 07 00-01 | SPACER | | 1 | 1 |
| 19 | 595 04 93-01 | NUT | | 1 | 1 |
| 20 | 595 04 92-01 | COVER | | 1 | 1 |
| 21 | 595 04 93-01 | NUT | | 1 | 1 |
| 22 | 595 04 94-01 | GASKET | | 1 | 1 |
| 23 | 594 30 21-01 | AIR FILTER | Delivered with outer and inner filter. | 1 | 1 |
| 24 | 594 58 24-01 | ADAPTER | | 1 | 1 |
| 25 | 594 30 02-01 | MUFFLER COVER | | 1 | 1 |
| 26 | 594 30 06-01 | STARTER | Valid up to engine serial number 1411005, Red | 1 | 1 |
| 36 | 595 04 91-01 | ROPE | | 1 | 1, 26 |
| 37 | 594 20 48-01 | STARTER | "recoil ""nh1"" , Valid from engine serial number 1411006, Black" | 1 | 1 |
| 47 | 595 04 91-01 | ROPE | | 1 | 1, 37 |

E LX 90
CENTRIFUGAL CLUTCH

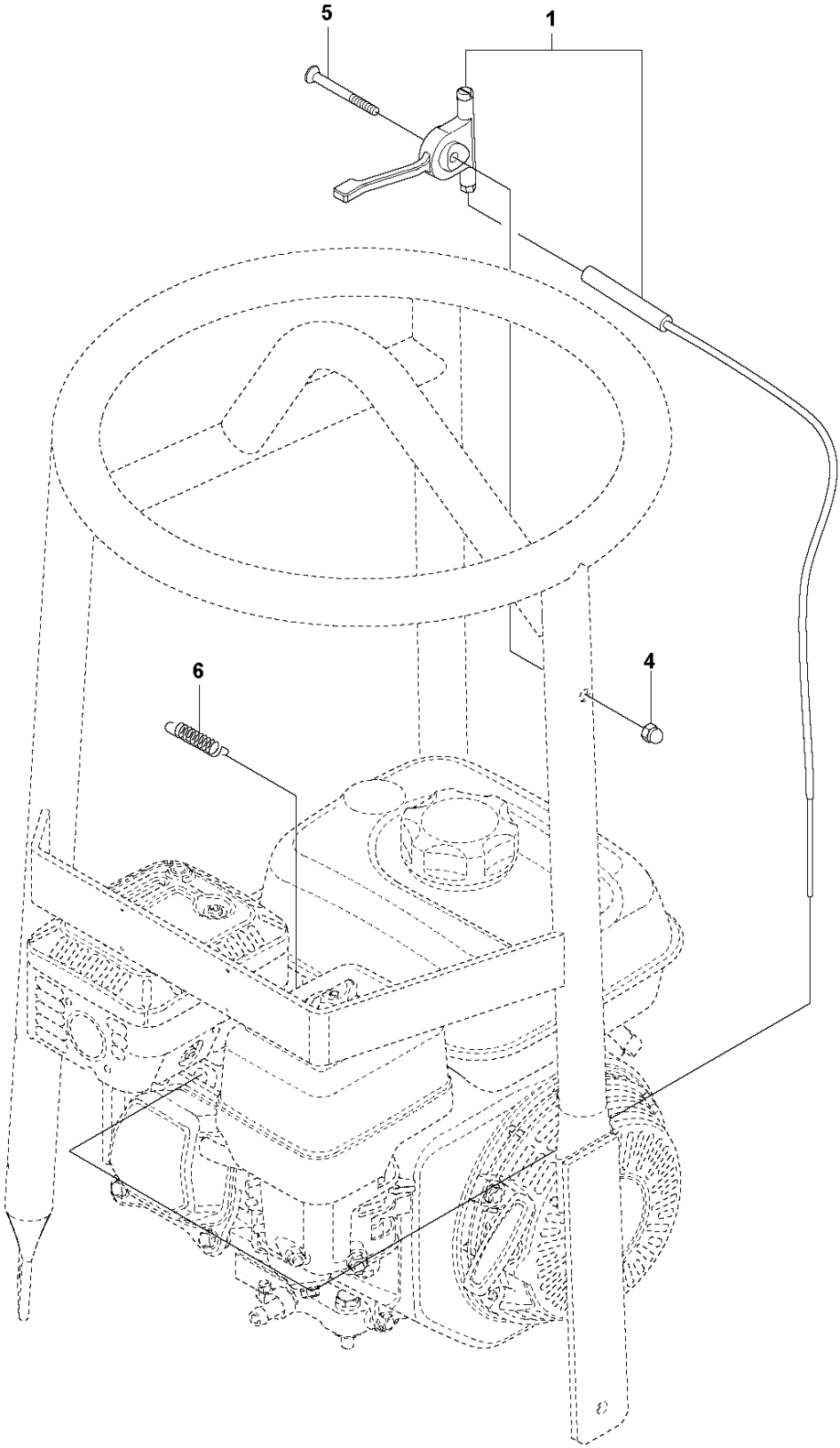


CENTRIFUGAL CLUTCH

LX 90, 967897101, 2019-06

| Ref | Part No | Description | Remark | QTY | KIT |
|-----|--------------|--------------------|--------|-----|-----|
| 1 | 594 15 65-01 | CENTRIFUGAL CLUTCH | | 1 | |
| 2 | 595 05 93-01 | SCREW | | 2 | 1 |
| 3 | 594 14 76-01 | CLUTCH COVER | | 1 | 1 |
| 4 | 594 58 36-01 | SPRING | | 4 | 1 |
| 5 | 595 45 32-01 | CLUTCH | | 2 | 1 |
| 6 | 594 14 77-01 | CLUTCH | | 2 | 1 |
| 7 | 595 15 99-01 | CLUTCH | | 1 | 1 |
| 8 | 594 31 31-01 | COVER | | 1 | 1 |
| 9 | 594 30 88-01 | RING | | 1 | 1 |
| 10 | 594 58 44-01 | RING | | 1 | 1 |
| 11 | 594 58 45-01 | RING | | 2 | 1 |
| 12 | 594 58 43-01 | BALL BEARING | | 1 | 1 |
| 13 | 594 26 37-01 | RING | | 1 | 1 |
| 14 | 594 58 04-01 | PULLEY | | 1 | 1 |

F LX 90
THROTTLE CONTROL

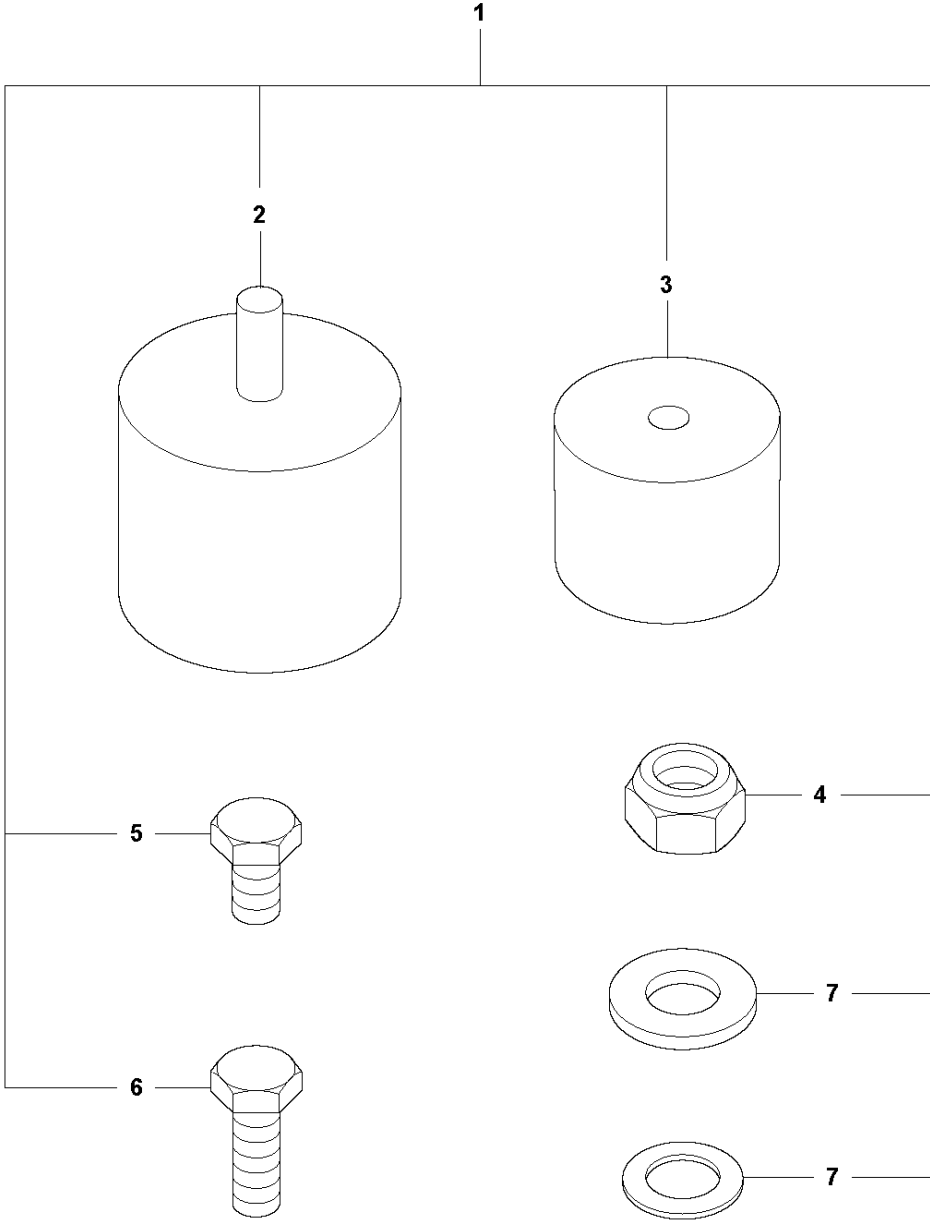


THROTTLE CONTROL

LX 90, 967897101, 2019-06

| Ref | Part No | Description | Remark | QTY KIT |
|-----|--------------|------------------|--------|---------|
| 1 | 594 34 10-01 | THROTTLE CONTROL | | 1 |
| 4 | 595 06 01-01 | NUT | | 1 |
| 5 | 598 07 00-01 | SCREW | | 1 |
| 6 | 594 32 77-01 | SPRING | | 1 |

G LX 90
SHOCK ABSORBER REPAIR KIT

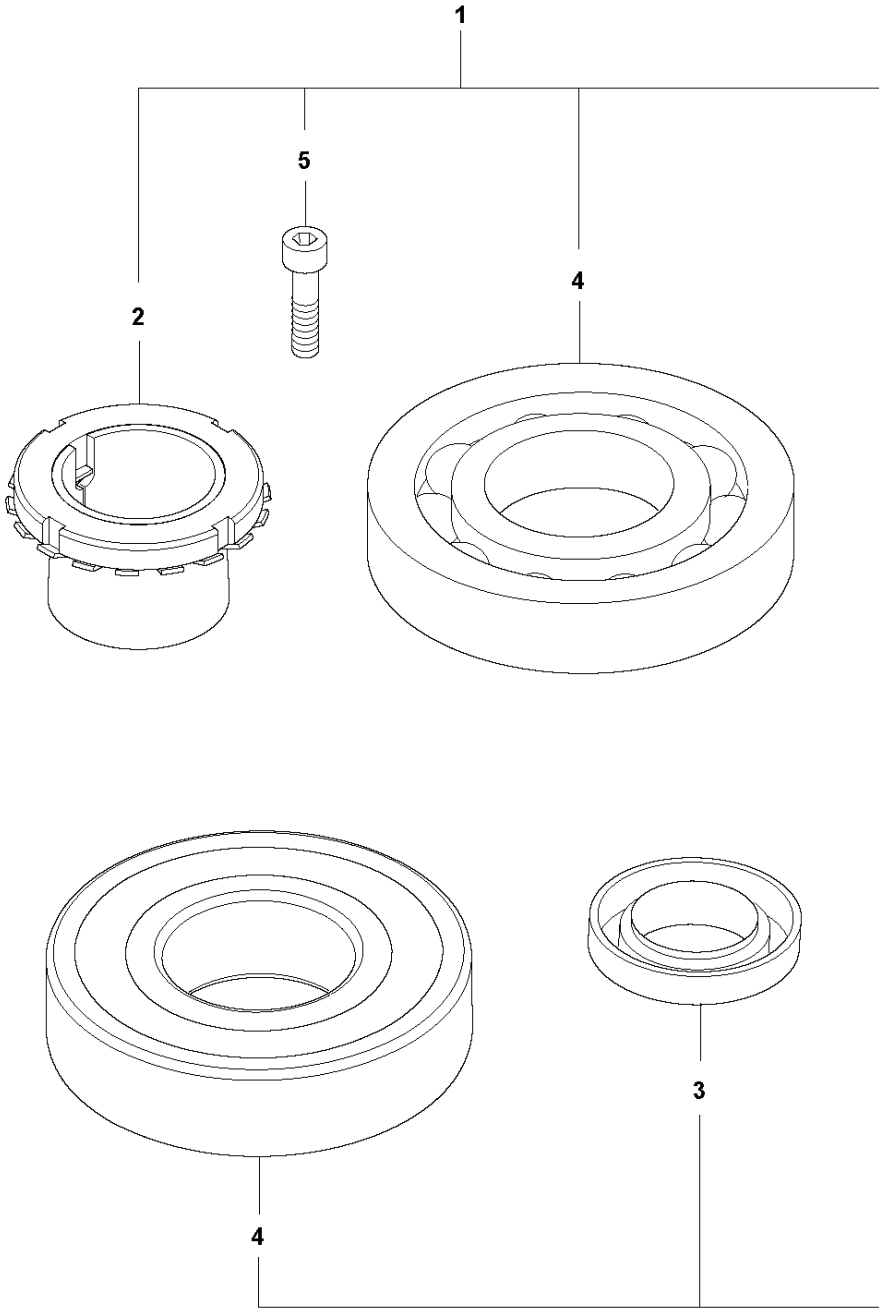


SHOCK ABSORBER REPAIR KIT

LX 90, 967897101, 2019-06

| Ref | Part No | Description | Remark | QTY KIT | |
|-----|--------------|-------------|---|---------|---|
| 1 | 594 19 71-01 | REPAIR KIT | | 1 | |
| 2 | 594 15 67-01 | ABSORBER | | 1 | 1 |
| 3 | 594 42 90-01 | ABSORBER | | 3 | 1 |
| 4 | 594 12 30-01 | LOCK NUT | Nut M08x1,25, -8, A2K (lock nut) | 1 | 1 |
| 5 | 596 88 97-07 | SCREW | M8 x 12 mm 8.8 A2K | 3 | 1 |
| 6 | 594 11 79-01 | SCREW | M8 x 20 | 1 | 1 |
| 7 | 595 11 29-01 | WASHER | 8.4 x 26 x 4 mm, 0.33 x 1.02 x 0.16 in. 300 HV | 3 | 1 |
| 7 | 595 03 66-01 | WASHER | 8.4 x 16 x 1.5 mm, 0.33 x 0.63 x 0.06 in. 300 HV | 4 | 1 |

H LX 90
ECCENTRIC ELEMENT REPAIR KIT

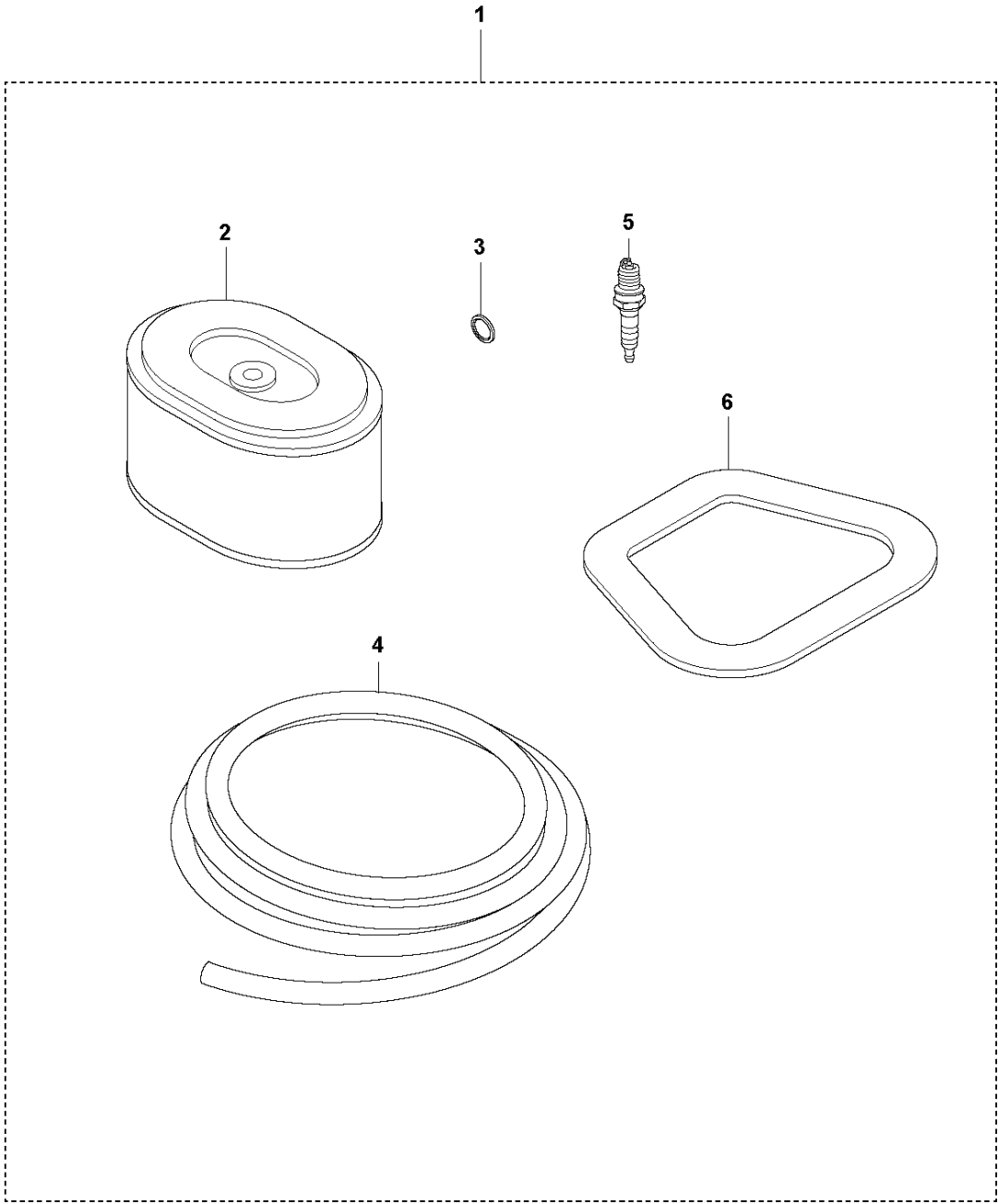


ECCENTRIC ELEMENT REPAIR KIT

LX 90, 967897101, 2019-06

| Ref | Part No | Description | Remark | QTY KIT | |
|-----|--------------|-----------------|------------------|---------|---|
| 1 | 594 19 72-01 | REPAIR KIT | | 1 | |
| 2 | 594 15 62-01 | CLAMPING SLEEVE | | 1 | 1 |
| 3 | 595 04 46-01 | SEALING RING | | 1 | 1 |
| 4 | 594 15 61-01 | BALL BEARING | | 2 | 1 |
| 5 | 595 34 80-01 | SCREW | M6x20 mm 8.8 A2K | 8 | 1 |

J LX 90
SERVICE KIT - HONDA GX 160 UT2 SXS4 OH

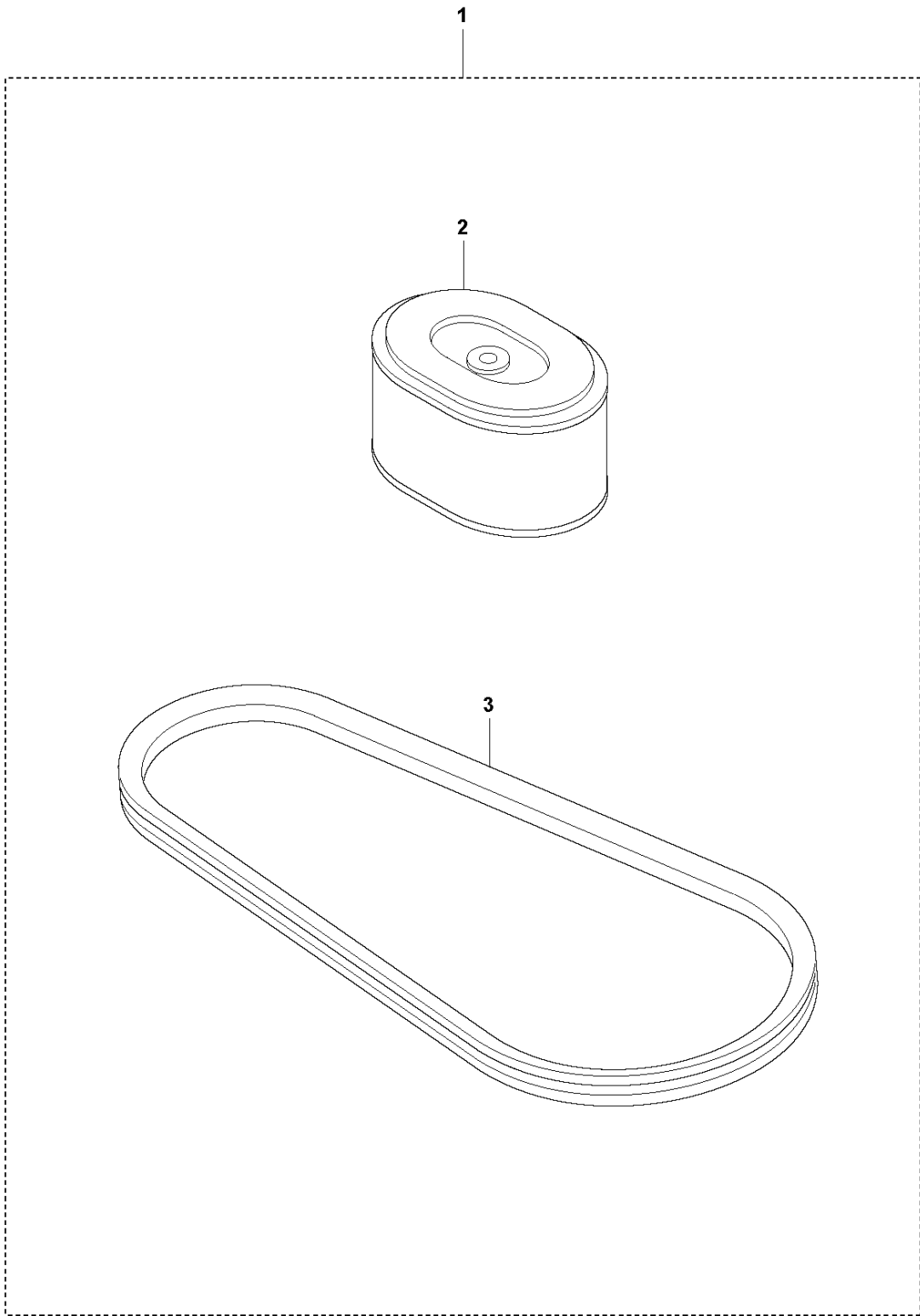


SERVICE KIT

LX 90, 967897101, 2019-06

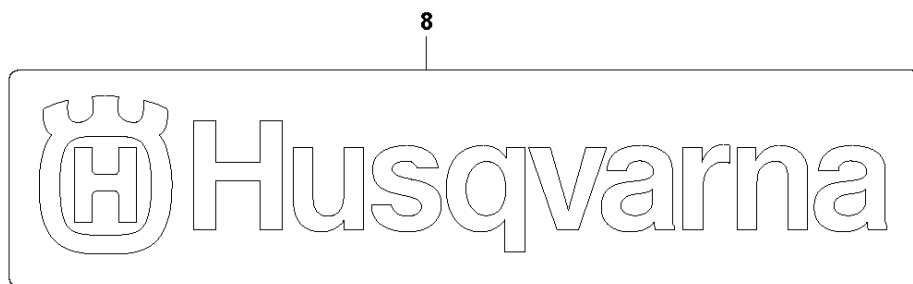
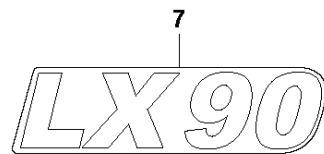
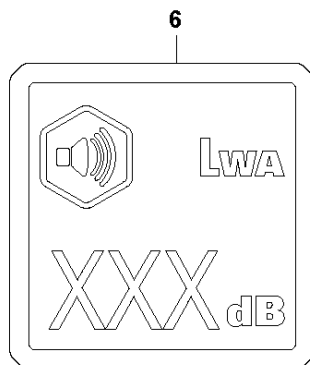
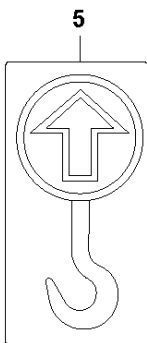
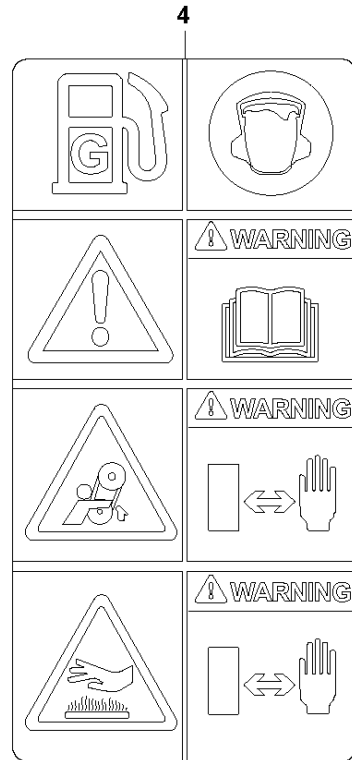
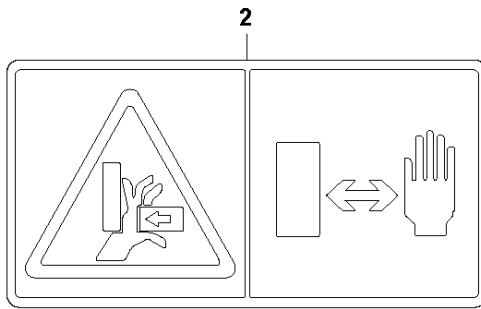
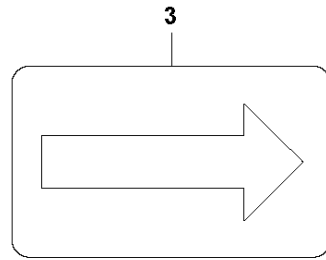
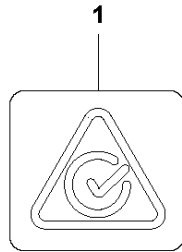
| Ref | Part No | Description | Remark | QTY | KIT |
|-----|--------------|-------------|--------|-----|-----|
| 1 | 594 20 02-01 | SERVICE KIT | | 1 | |
| 2 | 594 30 21-01 | AIR FILTER | | 1 | 1 |
| 3 | 595 04 89-01 | GASKET | | 1 | 1 |
| 4 | 595 04 91-01 | ROPE | | 1 | 1 |
| 5 | 594 54 43-01 | SPARK PLUG | | 1 | 1 |
| 6 | 595 04 88-01 | GASKET | | 1 | 1 |

K LX 90
12 MONTHS / 200 HOURS SERVICE KIT



| Ref | Part No | Description | Remark | QTY KIT | |
|-----|--------------|-------------|--------|---------|---|
| 1 | 594 21 61-01 | SERVICE KIT | | 1 | |
| 2 | 594 30 21-01 | AIR FILTER | | 1 | 1 |
| 3 | 594 29 90-01 | V-BELT | | 1 | 1 |

L LX 90
DECALS



DECALS

LX 90, 967897101, 2019-06

| Ref | Part No | Description | Remark | QTY KIT |
|-----|--------------|-------------|--|---------|
| 1 | 596 28 02-01 | DECAL | DECAL Compliance RCM | 1 |
| 2 | 594 53 64-01 | DECAL | | 3 |
| 3 | 594 34 09-01 | DECAL | | 1 |
| 4 | 595 46 44-01 | DECAL | Petrol, ear protection, read instruction manual, crush zone and hot surface. | 1 |
| 5 | 595 05 12-01 | DECAL | | 1 |
| 6 | 594 51 55-01 | DECAL | | 1 |
| 8 | 577 46 90-01 | DECAL | | 1 |
| 7 | 595 09 67-01 | DECAL | | 1 |