



PLEASE SPECIFY TOOL MODEL # WHEN ORDERING PARTS

PARTS BREAKDOWN	Model #: 2 1327 0010	Bulletin #: 08-2017
PARTS LISTING	Description: Hydraulic Core Drill	Prepared By: SCW
WIRING DIAGRAM	Date: 4/12/2017	

2 1327 0010 Core Drill

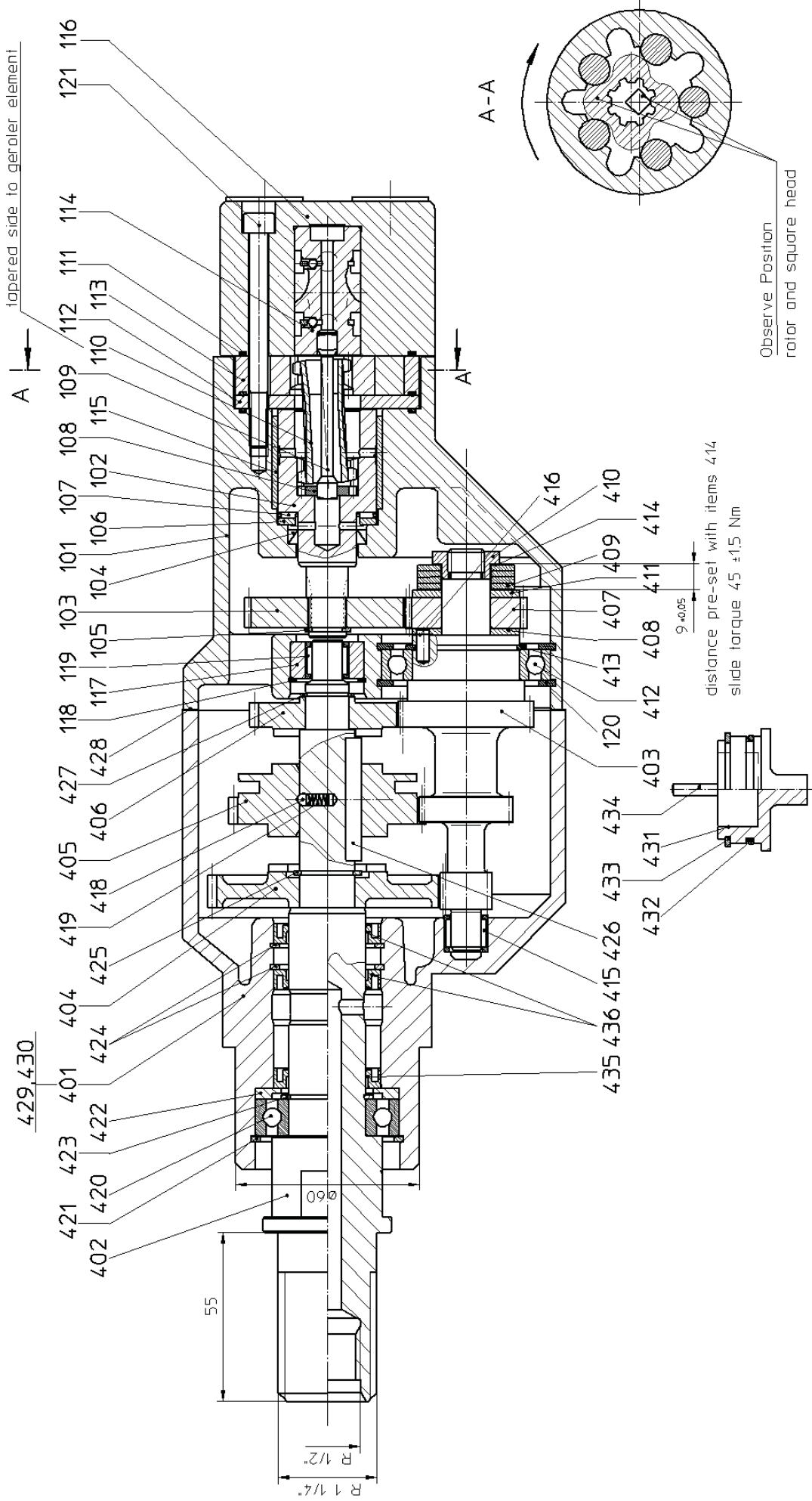
Position	QTY	Description	Part #
		Gearshift Lever Assembly	2 1315 4960
		Countershaft Assembly for Model 2 1327 0010	2 1327 4920
		Water Hose for Model 2 1327 0010	9 3606 0370
416 + 430		Pin	9 1619 1300
210		Connecting Nipple	9 2126 0150
211		Seal	256 982
212		Elbow	9 2209 0130
213		Nozzle	9 2109 0050
214		Hose Clamp	9 2104 0010
215		Hose	9 3602 0280
216		Valve Ring #52662&65205 #9 2126 0140 & 9 2126 0120	251 648
217		Stop Valve	9 2014 0900
218		Brass Nipple	251 650
219		PVC Quick Connect Coupling for 3/4" Hose	100 000
401		Bearing Housing	2 1327 4010
402		See # 2 1315 4270	256 749
403		Gear Shaft	2 1317 4170
404		Gear	253 895
405		Gear	253 896
406		Gear	253 897
407		Spur Gear	2 1317 4430
408		Washer Ring	259 158
409		Spring Washer	255 469
410		Nut	2 1327 0120
411		Compression Washer, Core Drill	253 164
412		Ball Bearing	9 1027 0530
413		C-Clip	105 546
414		Distance Ring	253 165
414		Spacer	253 116

PLEASE SPECIFY TOOL MODEL # WHEN ORDERING PARTS

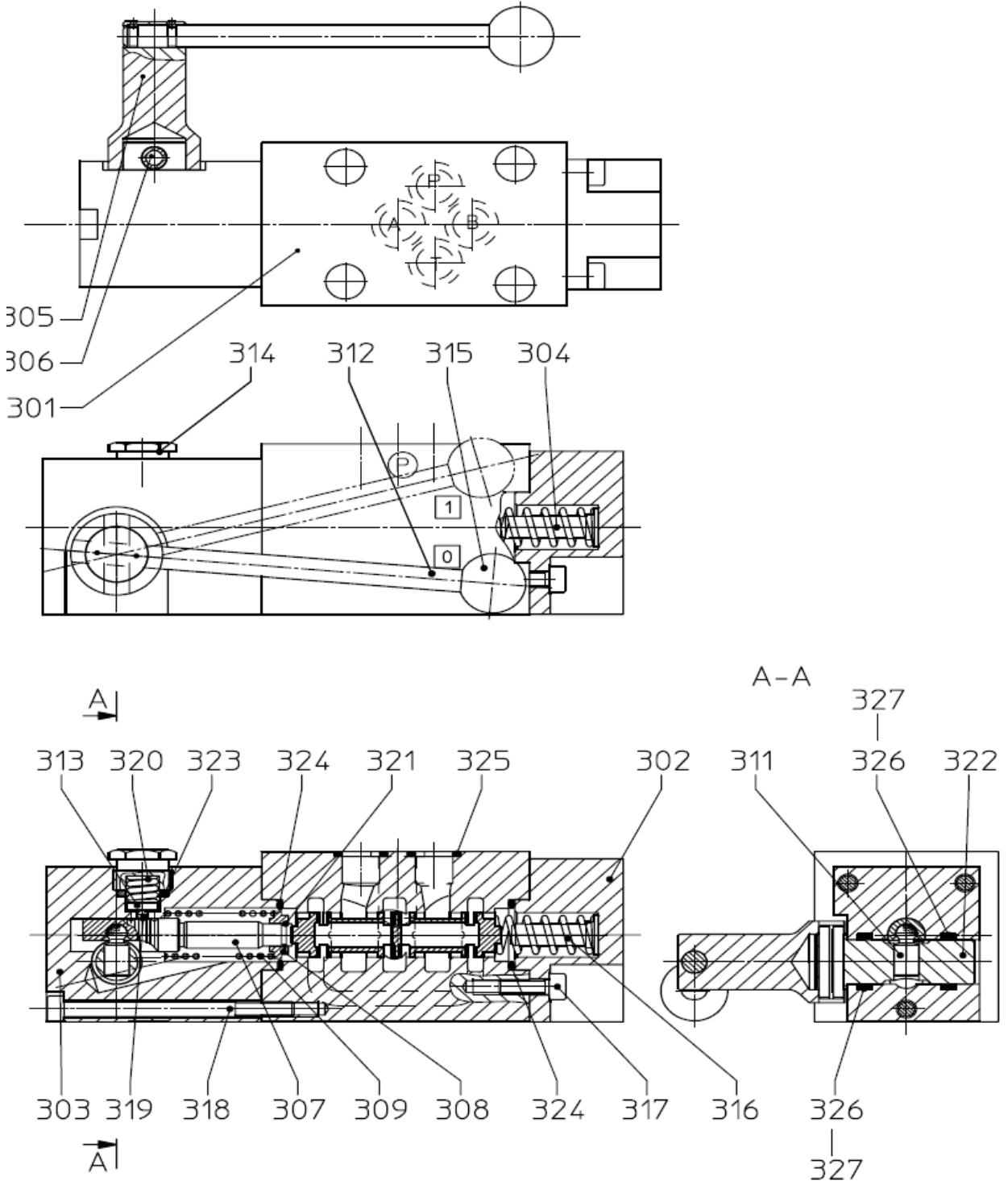
PARTS BREAKDOWN	Model #: 2 1327 0010	Bulletin #: 08-2017
PARTS LISTING	Description: Hydraulic Core Drill	Prepared By: SCW
WIRING DIAGRAM	Date: 4/12/2017	

2 1327 3930 Head Assembly

Position	QTY	Description	Part #
		Head Assembly	2 1327 3930
301	1	Valve Housing Assy.	2 1327 3910
302	1	Cover	2 1327 3020
303	1	Head	2 1327 3030
304	1	Bolt	2 1327 6110
305	1	Shaft	2 1327 3200
306	1	Clamping Sleeve	9 1630 0410
307	1	Pin	2 1327 3070
308	1	Plate	2 1327 3080
309	1	Pressure Spring	9 1803 4830
311	1	Control Device	2 1327 3110
312	1	Lever	2 1327 3120
313	1	Pressure Washer	2 1327 3130
314	1	Plug	2 1327 3140
315	1	Handle Knob	9 3901 0160
316	1	Pressure Spring	9 1803 4840
317	4	Fillister-Head Screw	9 1110 2070
318	3	Fillister-Head Screw	9 1110 2080
319	1	Ball, Steel	9 1017 0550
320	1	Pressure Spring	9 1803 4850
321	1	Snap Ring	9 1710 0160
322	1	Shaft	2 1327 3220
323	1	Sealing Ring	2 1327 3230
324	2	O-Ring	9 1901 5250
325	4	O-Ring	9 1921 2840
326	2	O-Ring	9 1901 2940
327	2	Pressure Ring	9 1919 0390



Valve Assembly



2 1327 0010 Core Drill

